



La solution assistance

ERROR CODE



La solution assistance



Français

Page de

2

à

4



English

Page

5

to

7



Español

página

8

a

10



Português

página

11

a

13



Polski

strona

14

do

16



Magyar

oldal

17

és

19



Română

pagina

20

și

22



Deutsch

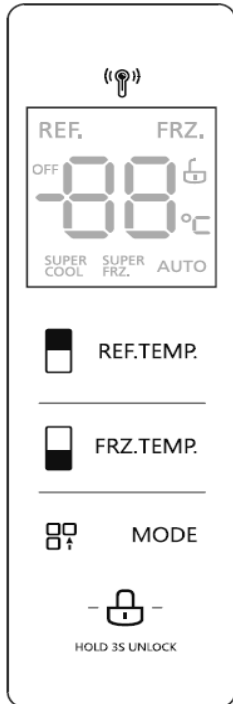
Seite von

23

und

25

La solution assistance



| CODE ERREUR | DESCRIPTION |
|-------------|---|
| E1 | Défaut sonde réfrigérateur |
| E2 | Défaut sonde congélateur |
| E3 | Défaut sonde clapet |
| E4 | Défaut sonde dégivrage réfrigérateur |
| E5 | Défaut sonde dégivrage congélateur |
| E6 | Problème de communication afficheur / puissance |
| E7 | Défaut sonde ambiant |
| EH | Défaut sonde humidité |

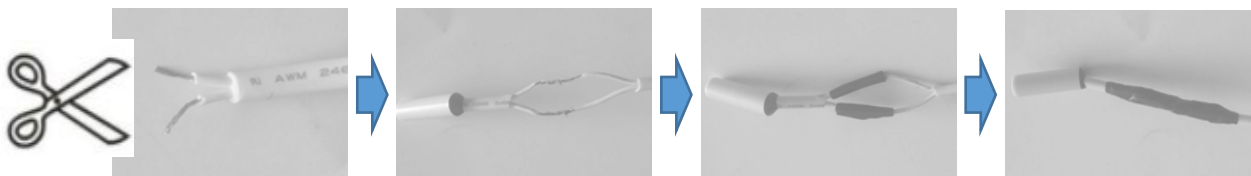
| T () | R (KΩ) | T () | R (KΩ) | T () | R (KΩ) | T () | R (KΩ) |
|-------|--------|-------|--------|-------|--------|-------|--------|
| -30 | 33.81 | -18 | 16.90 | 2 | 5.873 | 8 | 4.372 |
| -28 | 30.01 | -16 | 15.12 | 3 | 5.587 | 10 | 3.972 |
| -26 | 26.68 | -10 | 10.920 | 4 | 5.315 | 15 | 3.141 |
| -24 | 23.76 | -5 | 8.392 | 5 | 5.060 | 20 | 2.501 |
| -22 | 21.18 | 0 | 6.495 | 6 | 4.818 | 25 | 2.005 |
| -20 | 18.90 | 1 | 6.175 | 7 | 4.589 | 30 | 1.617 |

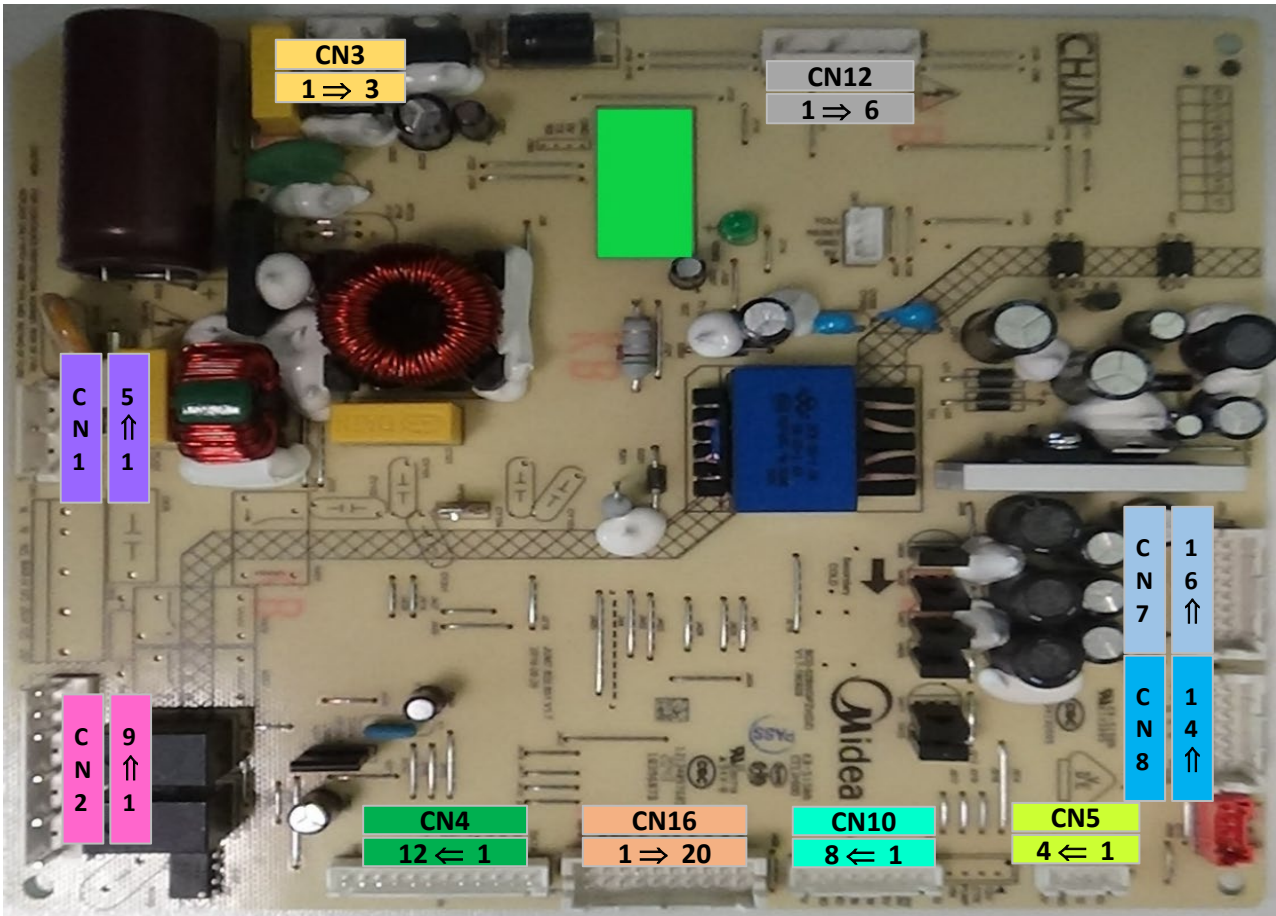
Accès évaporateur (modèles dotés de deux tiroirs uniquement)

Retirer les 3 vis à l'avant de la cloison (1) puis déboîter la sur le coté pour extraire (2). Enfin tirer sur le bas (3) du conduit pour le déboîter et le sortir.



Remplacement sonde de température FMF188348659 : Cette sonde est générique, vous pouvez être amené à couper les fils de la sonde défectueuse et à ressouder la nouveau lors de son remplacement si le connecteur est différent.

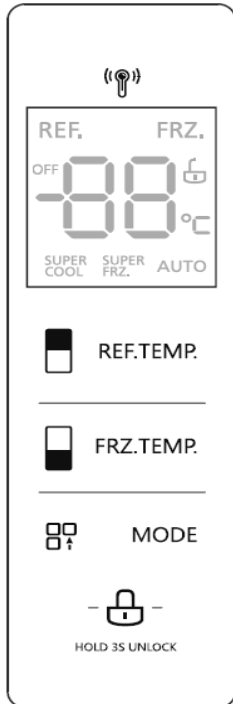




La solution assistance

| | | | | | | | | | | | |
|------|----|---|---------------------------|---|---|------|------|------|------------------------|-------------------|-----------|
| CN16 | 1 | Interrupteur réfrigérateur droit | | | | 11 | CN7 | 1 | - | Éclairage conduit | 9 |
| | 2 | Interrupteur congélateur tiroir supérieur | | | | 12 | | 2 | - | | 10 |
| | 3 | Interrupteur réfrigérateur gauche | | | | 13 | | 3 | Éclairage | - | 11 |
| | 4 | Interrupteur congélateur tiroir inférieur | | | | 14 | | 4 | - | réfrigérateur | 12 |
| | 5 | Sonde réfrigérateur | | | | 15 | | 5 | Ventilateur | - | 13 |
| | 6 | Sonde dégivrage réfrigérateur | | | | 16 | | 6 | | - | 14 |
| | 7 | Sonde radar 1 (Option) | | | | 17 | | 7 | Ventilateur | réfrigérateur | 15 |
| | 8 | Sonde radar 2 (Option) | | | | 18 | | 8 | | congélateur | 16 |
| | 9 | Sonde congélateur | | | | 19 | CN10 | 1 | +5V | Sonde humidité | |
| | 10 | Sonde dégivrage congélateur | | | | 20 | | 2 | GND | | |
| CN8 | 1 | - | - | - | - | 8 | CN10 | 3 | - | - | |
| | 2 | B- | - | | - | 9 | | 4 | AMB | Sonde humidité | |
| | 3 | A- | - | | - | 10 | | 5 | HUM | Sonde humidité | |
| | 4 | - | - | | - | 11 | | 6 | - | - | |
| | 5 | - | - | | - | 12 | | 7 | - | - | |
| | 6 | A- | Vanne frigorifique | | | X | | 13 | 8 | - | - |
| | 7 | B- | | | | X | | 14 | 1 | TX | Afficheur |
| CN2 | 1 | VB | Résistance traverse porte | | | CN5 | 2 | RX | | | |
| | 2 | - | - | | | | 3 | +12V | | | |
| | 3 | RD | - | | | | 4 | GND | | | |
| | 4 | - | - | | | | CN1 | 1 | L | Phase | |
| | 5 | FD | Résistance dégivrage | | | 2 | | - | - | | |
| | 6 | - | - | | | 3 | | - | - | | |
| | 7 | N | Neutre | | | 4 | | - | - | | |
| | 8 | N | - | | | 5 | | N | Neutre | | |
| | 9 | N | Neutre | | | | | | | | |
| CN4 | 1 | - | - | | | CN3 | 1 | - | Protecteur compresseur | | |
| | 2 | - | - | | | | 2 | - | - | | |
| | 3 | - | - | | | | 3 | - | Protecteur compresseur | | |
| | 4 | - | - | | | CN12 | 1 | V | Compresseur | | |
| | 5 | - | - | | | | 2 | - | - | | |
| | 6 | - | - | | | | 3 | U | - | | |
| | 7 | - | - | | | | 4 | - | Compresseur | | |
| | 8 | - | - | | | | 5 | - | - | | |
| | 9 | A+ | Clapet | | | | 6 | W | Compresseur | | |
| | 10 | A- | | | | | | | | | |
| | 11 | B- | | | | | | | | | |
| | 12 | B+ | | | | | | | | | |

La solution assistance



| ERROR CODE | DESCRIPTION |
|------------|---------------------------------------|
| E1 | Refrigerator sensor fault |
| E2 | Freezer sensor fault |
| E3 | Valve sensor fault |
| E4 | Refrigerator defrost sensor fault |
| E5 | Freezer defrost sensor fault |
| E6 | Display / power communication problem |
| E7 | Ambient sensor fault |
| HE | Humidity sensor fault |

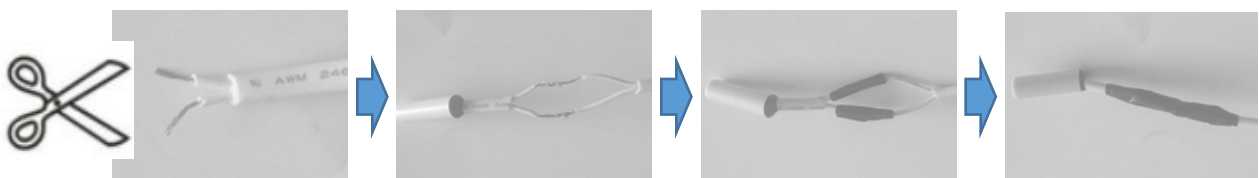
| Temperature probe values | | | | | | | |
|--------------------------|--------|-------|--------|-------|--------|-------|--------|
| T () | R (KΩ) | T () | R (KΩ) | T () | R (KΩ) | T () | R (KΩ) |
| -30 | 33.81 | -18 | 16.90 | 2 | 5.873 | 8 | 4.372 |
| -28 | 30.01 | -16 | 15.12 | 3 | 5.587 | 10 | 3.972 |
| -26 | 26.68 | -10 | 10.920 | 4 | 5.315 | 15 | 3.141 |
| -24 | 23.76 | -5 | 8.392 | 5 | 5.060 | 20 | 2.501 |
| -22 | 21.18 | 0 | 6.495 | 6 | 4.818 | 25 | 2.005 |
| -20 | 18.90 | 1 | 6.175 | 7 | 4.589 | 30 | 1.617 |

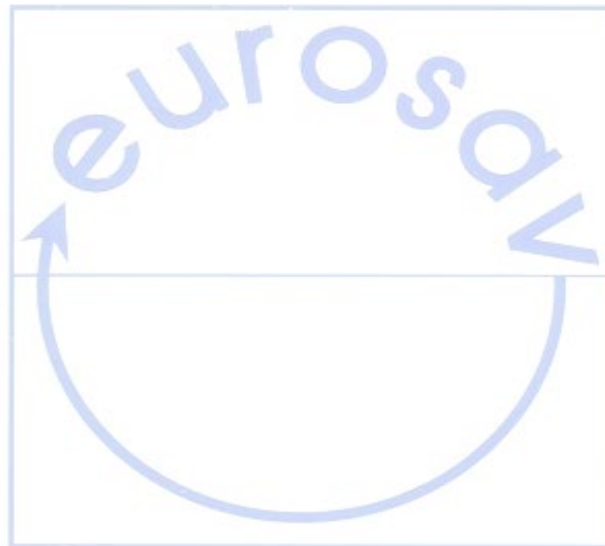
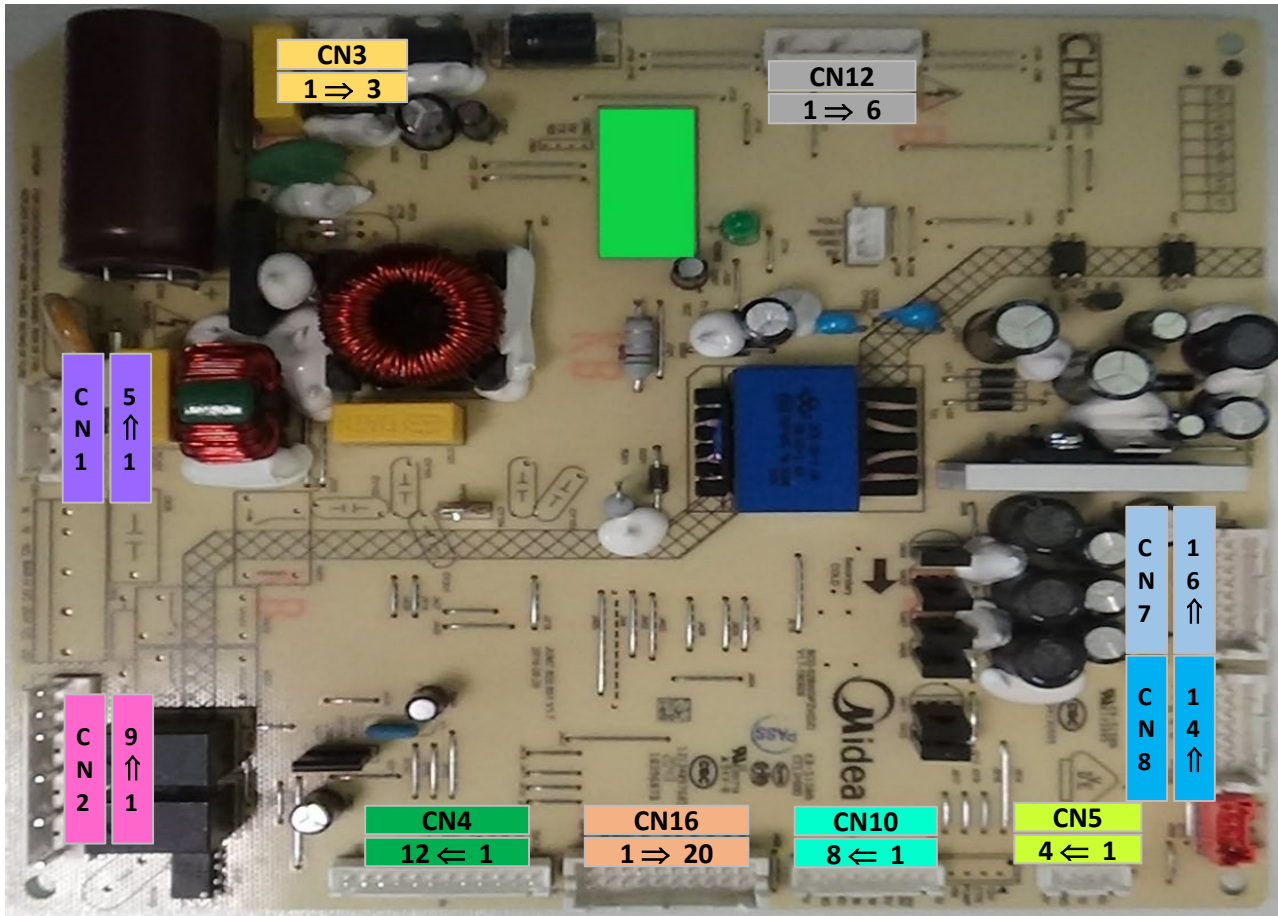
Evaporator access (models with two drawers only)

Remove the 3 screws at the front of the bulkhead(1) then unhook it on the side to extract(2) . Finally shoot down(3) conduit to uncouple it and take it out.



Temperature sensor replacement FMF188348659 : This probe is generic, you may have to cut the wires of the defective probe and resolder the new one when replacing it if the connector is different.

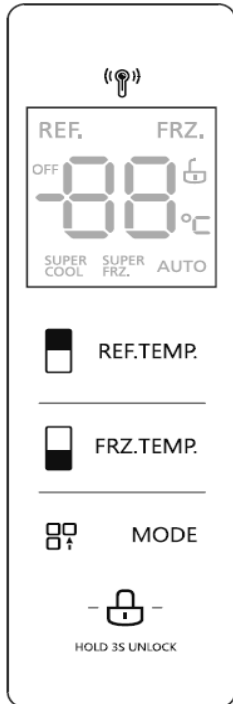




La solution assistance

| | | | | | | | | | | | | |
|------|----|-----------------------------|------------------------------|---|---|------|-----|------|----------------------|----------------|----------------|--|
| CN16 | 1 | Right refrigerator switch | | | | 11 | CN7 | 1 | - | led lighting | 9 | |
| | 2 | Top drawer freezer switch | | | | 12 | | 2 | - | | 10 | |
| | 3 | Left refrigerator switch | | | | 13 | | 3 | Lighting | - | 11 | |
| | 4 | Lower drawer freezer switch | | | | 14 | | 4 | - | fridge | 12 | |
| | 5 | Fridge probe | | | | 15 | | 5 | Fan | - | 13 | |
| | 6 | Fridge defrost sensor | | | | 16 | | 6 | | - | 14 | |
| | 7 | Radar probe 1 (Option) | | | | 17 | | 7 | Fan | fridge | 15 | |
| | 8 | Radar probe 2 (Option) | | | | 18 | | 8 | | freezer | 16 | |
| | 9 | Freezer probe | | | | 19 | | CN10 | 1 | +5V | Humidity probe | |
| | 10 | Freezer defrost sensor | | | | 20 | | | 2 | GND | | |
| CN8 | 1 | - | - | - | - | 8 | 3 | | - | - | | |
| | 2 | B- | - | - | - | 9 | 4 | | AMB | Humidity probe | | |
| | 3 | A- | - | - | - | 10 | 5 | | HUM | Humidity probe | | |
| | 4 | - | - | - | - | 11 | 6 | | - | - | | |
| | 5 | - | - | - | - | 12 | 7 | | - | - | | |
| | 6 | A- | Refrigeration valve | | | X | 13 | | 8 | - | - | |
| | 7 | B- | | | | X | 14 | | | | | |
| CN2 | 1 | VB | Door cross member resistance | | | CN5 | 1 | | TX | Display | | |
| | 2 | - | - | | | | 2 | | RX | | | |
| | 3 | RD | - | | | | 3 | | +12V | | | |
| | 4 | - | - | | | | 4 | | GND | | | |
| | 5 | FD | Defrost resistance | | | CN1 | 1 | | L | Phase | | |
| | 6 | - | - | | | | 2 | - | - | | | |
| | 7 | N | Neutral | | | | 3 | - | - | | | |
| | 8 | N | - | | | | 4 | - | - | | | |
| | 9 | N | Neutral | | | | 5 | N | Neutral | | | |
| CN4 | 1 | - | - | | | CN3 | 1 | - | Compressor protector | | | |
| | 2 | - | - | | | | 2 | - | - | | | |
| | 3 | - | - | | | | 3 | - | Compressor protector | | | |
| | 4 | - | - | | | CN12 | 1 | V | Compressor | | | |
| | 5 | - | - | | | | 2 | - | - | | | |
| | 6 | - | - | | | | 3 | U | - | | | |
| | 7 | - | - | | | | 4 | - | Compressor | | | |
| | 8 | - | - | | | | 5 | - | - | | | |
| | 9 | A+ | valve | | | | 6 | W | Compressor | | | |
| | 10 | A- | | | | | | | | | | |
| | 11 | B- | | | | | | | | | | |
| | 12 | B+ | | | | | | | | | | |

La solution assistance



| CÓDIGO DE ERROR | DESCRIPCIÓN |
|-----------------|--|
| E1 | Avería sensor frigorífico |
| E2 | Fallo del sensor del congelador |
| E3 | Fallo del sensor de la válvula |
| E4 | Falla en sensor de descongelamiento del refrigerador |
| E5 | Avería sensor descongelación congelador |
| E6 | Problema de comunicación de pantalla/alimentación |
| E7 | Fallo del sensor de ambiente |
| ÉL | Fallo del sensor de humedad |

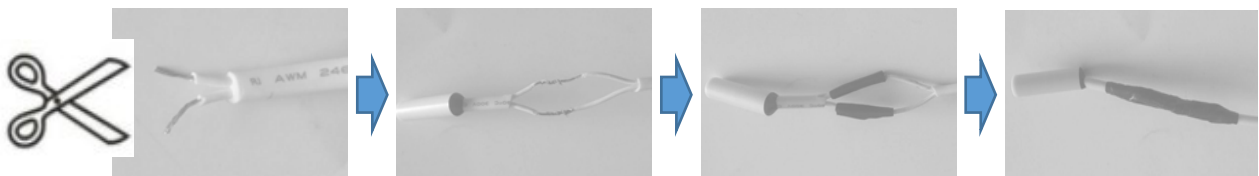
| Valores de la sonda de temperatura | | | | | | | |
|------------------------------------|--------|-------|--------|-------|--------|-------|--------|
| T () | R (KΩ) | T () | R (KΩ) | T () | R (KΩ) | T () | R (KΩ) |
| -30 | 33.81 | -18 | 16.90 | 2 | 5.873 | 8 | 4.372 |
| -28 | 30.01 | -16 | 15.12 | 3 | 5.587 | 10 | 3.972 |
| -26 | 26.68 | -10 | 10.920 | 4 | 5.315 | 15 | 3.141 |
| -24 | 23.76 | -5 | 8.392 | 5 | 5.060 | 20 | 2.501 |
| -22 | 21.18 | 0 | 6.495 | 6 | 4.818 | 25 | 2.005 |
| -20 | 18.90 | 1 | 6.175 | 7 | 4.589 | 30 | 1.617 |

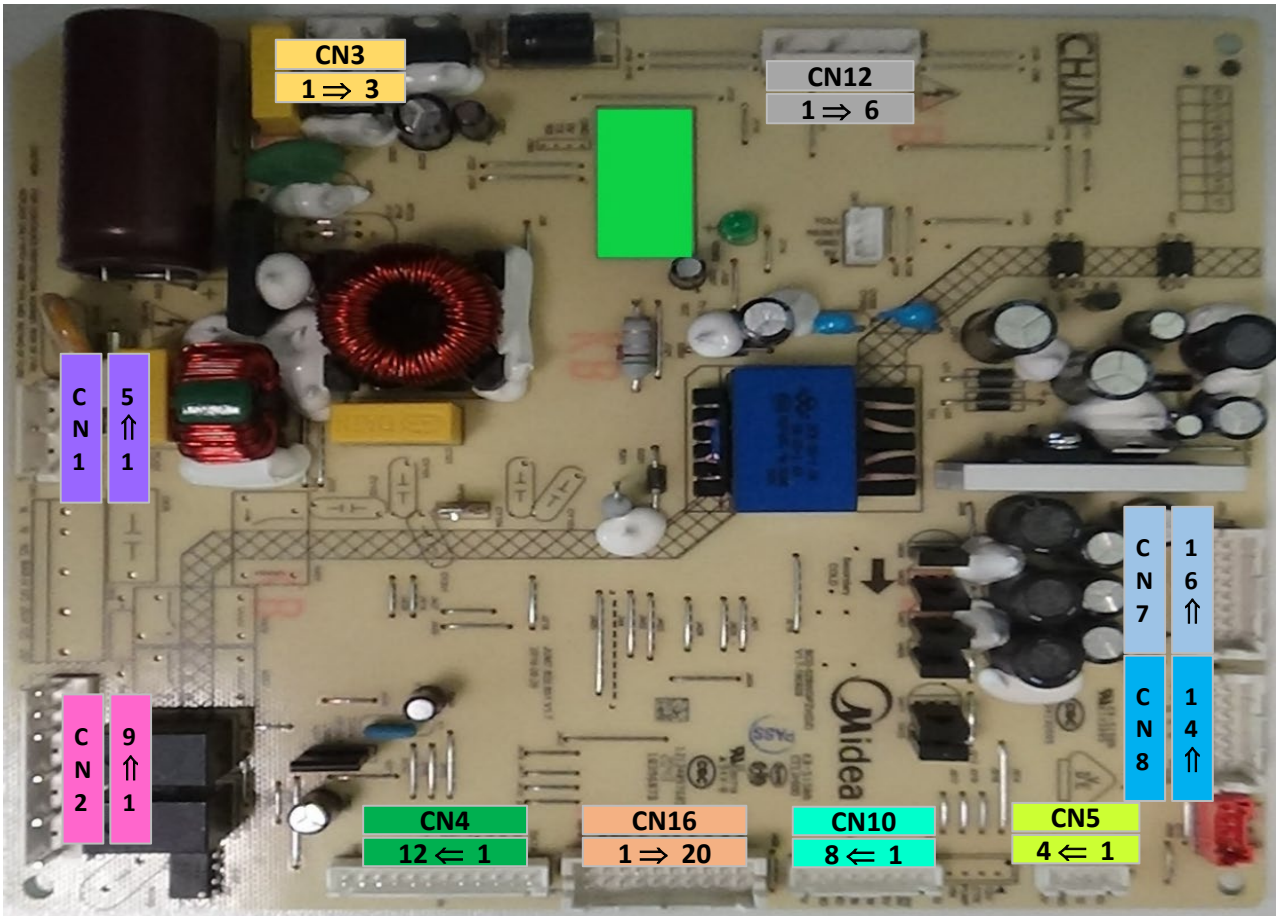
Acceso al evaporador (solo modelos con dos cajones)

Retire los 3 tornillos en la parte delantera del mamparo.(1) luego desengancharlo en el lateral para extraer(2) . Finalmente derribar(3) conducto para desacoplarlo y sacarlo.



Reemplazo del sensor de temperatura FMF188348659 : Esta sonda es genérica, es posible que tenga que cortar los cables de la sonda defectuosa y volver a soldar la nueva al reemplazarla si el conector es diferente.

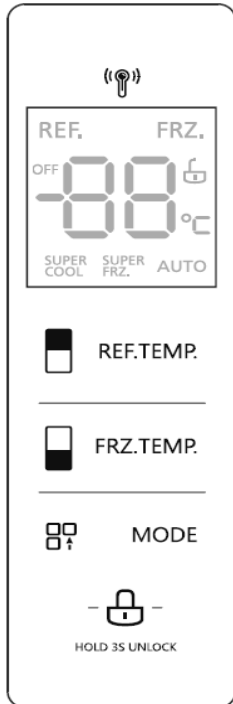




La solution assistance

| | | | | | | | | | | | | |
|-------------|----|---|--|---|-------------|------------|------------|-------------|------------------------|------------------------|------------------|--|
| CN16 | 1 | Interruptor refrigerador derecho | | | | 11 | CN7 | 1 | - | iluminación LED | 9 | |
| | 2 | Interruptor del congelador del cajón superior | | | | 12 | | 2 | - | | 10 | |
| | 3 | Interruptor refrigerador izquierdo | | | | 13 | | 3 | Encendiendo | - | 11 | |
| | 4 | Interruptor del congelador del cajón inferior | | | | 14 | | 4 | - | refrigerador | 12 | |
| | 5 | Sonda nevera | | | | 15 | | 5 | Admirador | - | 13 | |
| | 6 | Sensor de descongelación de nevera | | | | 16 | | 6 | | - | 14 | |
| | 7 | Sonda de radar 1 (Opción) | | | | 17 | | 7 | Admirador | refrigerador | 15 | |
| | 8 | Sonda de radar 2 (Opción) | | | | 18 | | 8 | | congelador | 16 | |
| | 9 | Sonda de congelador | | | | 19 | | CN10 | 1 | +5V | sonda de humedad | |
| | 10 | Sensor de descongelación del congelador | | | | 20 | | | 2 | GND | | |
| CN8 | 1 | - | - | - | - | 8 | 3 | | - | - | | |
| | 2 | B- | - | - | - | 9 | 4 | | AMB | sonda de humedad | | |
| | 3 | A- | - | - | - | 10 | 5 | | HUM | sonda de humedad | | |
| | 4 | - | - | - | - | 11 | 6 | | - | - | | |
| | 5 | - | - | - | - | 12 | 7 | | - | - | | |
| | 6 | A- | Válvula de refrigeración | | | X | 13 | | 8 | - | - | |
| | 7 | B- | | | | X | 14 | | 1 | TX | Mostrar | |
| CN2 | 1 | VB | Resistencia del travesaño de la puerta | | | CN5 | 2 | | RX | | | |
| | 2 | - | - | | | | 3 | | +12V | | | |
| | 3 | RD | - | | | | 4 | | GND | | | |
| | 4 | - | - | | | | CN1 | | 1 | L | Fase | |
| | 5 | FD | Resistencia al descongelamiento | | | 2 | | | - | - | | |
| | 6 | - | - | | | 3 | | - | - | | | |
| | 7 | N | neutral | | | 4 | | - | - | | | |
| | 8 | N | - | | | 5 | | N | neutral | | | |
| | 9 | N | neutral | | | CN4 | CN3 | 1 | - | protector de compresor | | |
| 1 | - | - | | | 2 | | | - | - | | | |
| 2 | - | - | | | 3 | | | - | protector de compresor | | | |
| 3 | - | - | | | CN12 | | 1 | V | Compresor | | | |
| 4 | - | - | | | | | 2 | - | - | | | |
| 5 | - | - | | | | | 3 | U | - | | | |
| 6 | - | - | | | | | 4 | - | Compresor | | | |
| 7 | - | - | | | | | 5 | - | - | | | |
| 8 | - | - | | | | | 6 | W | Compresor | | | |
| 9 | A+ | válvula | | | | | 1 | - | - | | | |
| 10 | A- | | | | | | 1 | - | - | | | |
| 11 | B- | | | | | | 1 | - | - | | | |
| 12 | B+ | | | | 1 | - | - | | | | | |

La solution assistance



| ERRO DE CÓDIGO | DESCRIÇÃO |
|----------------|--|
| E1 | Falha no sensor da geladeira |
| E2 | Falha no sensor do congelador |
| E3 | Falha no sensor da válvula |
| E4 | Falha no sensor de degelo da geladeira |
| E5 | Falha no sensor de degelo do freezer |
| E6 | Display/problema de comunicação de energia |
| E7 | Falha do sensor ambiente |
| ELE | Falha no sensor de umidade |

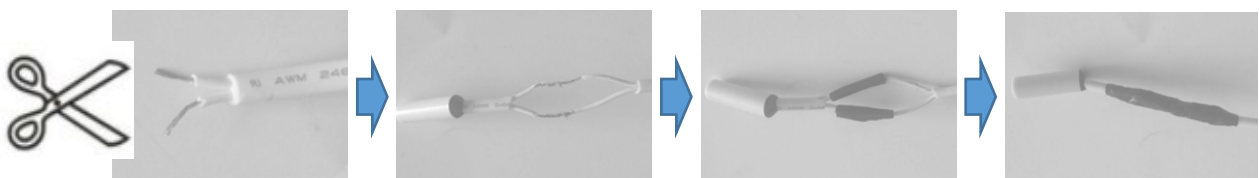
| Valores da sonda de temperatura | | | | | | | |
|---------------------------------|--------|-------|--------|-------|--------|-------|--------|
| T () | R (KΩ) | T () | R (KΩ) | T () | R (KΩ) | T () | R (KΩ) |
| -30 | 33,81 | -18 | 16,90 | 2 | 5.873 | 8 | 4.372 |
| -28 | 30.01 | -16 | 15.12 | 3 | 5.587 | 10 | 3.972 |
| -26 | 26.68 | -10 | 10.920 | 4 | 5.315 | 15 | 3.141 |
| -24 | 23.76 | -5 | 8.392 | 5 | 5.060 | 20 | 2.501 |
| -22 | 21.18 | 0 | 6.495 | 6 | 4.818 | 25 | 2.005 |
| -20 | 18,90 | 1 | 6.175 | 7 | 4.589 | 30 | 1.617 |

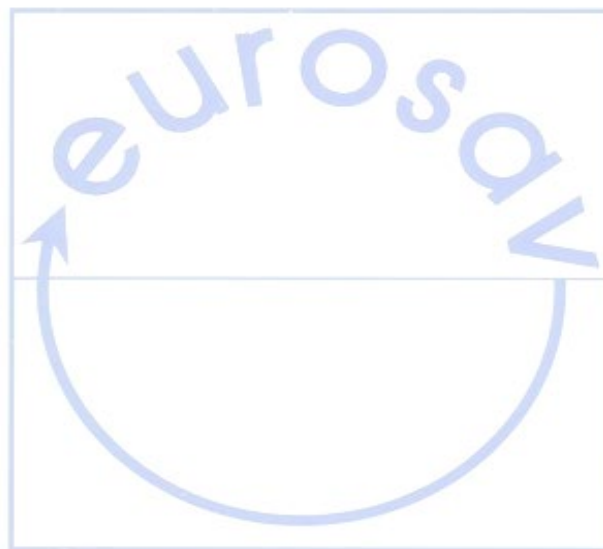
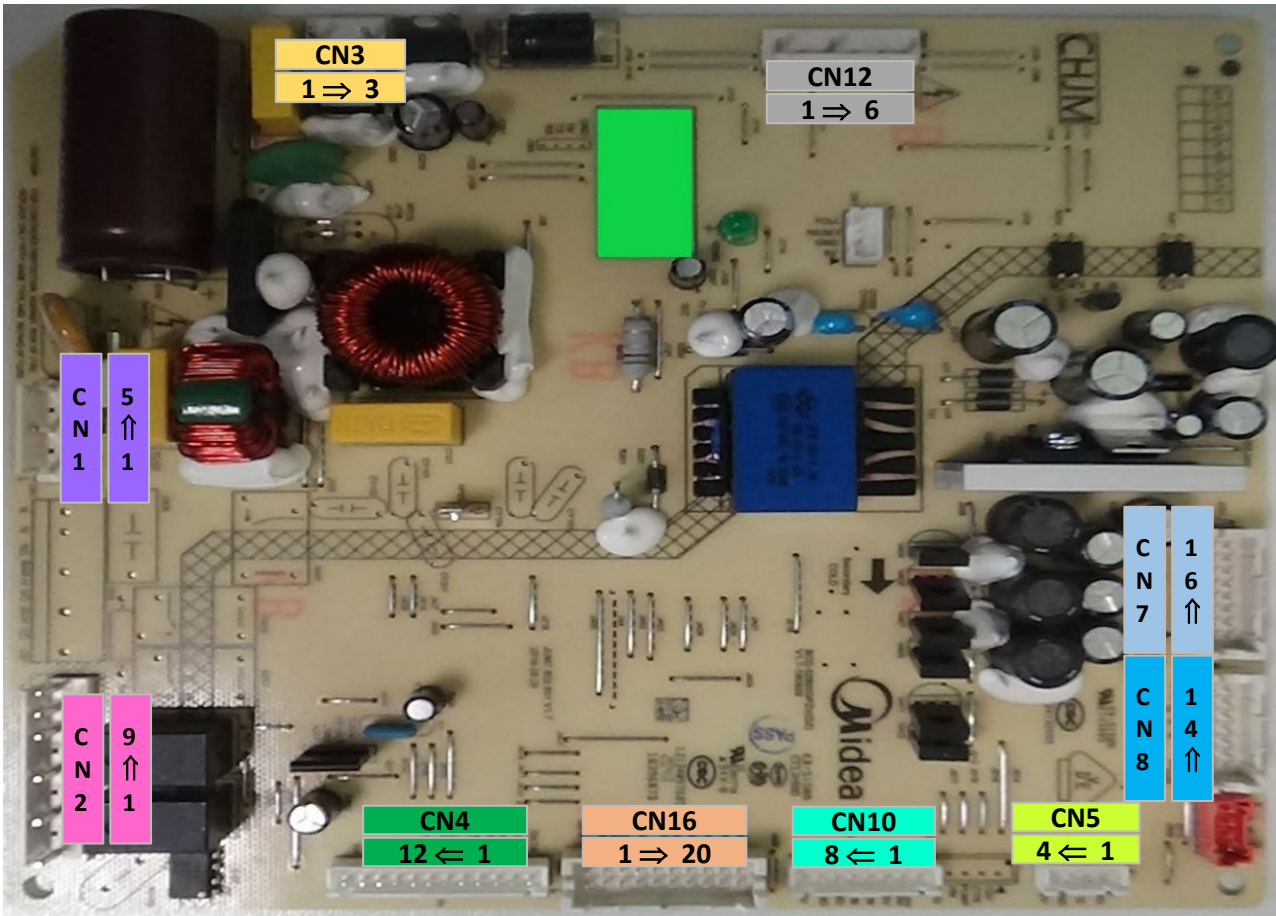
Acesso ao evaporador (somente modelos com duas gavetas)

Remova os 3 parafusos na frente do anteparo(1) em seguida, desenganche-o do lado para extrair(2) . Finalmente abater(3) conduíte para desacoplá-lo e retirá-lo.



Substituição do sensor de temperatura FMF188348659 : Esta sonda é genérica, pode ser necessário cortar os fios da sonda defeituosa e soldar novamente a nova ao substituí-la se o conector for diferente.

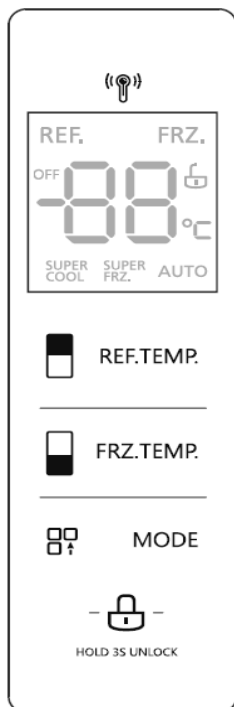




La solution assistance

| | | | | | | | | | | | | |
|------|----|--|--------------------------------|---|---|------|-----|------|------------------------|------------------|------------------|--|
| CN16 | 1 | Interruptor direito da geladeira | | | | 11 | CN7 | 1 | - | iluminação led | 9 | |
| | 2 | Interruptor do congelador da gaveta superior | | | | 12 | | 2 | - | | 10 | |
| | 3 | Interruptor esquerdo da geladeira | | | | 13 | | 3 | Iluminação | - | 11 | |
| | 4 | Interruptor do congelador da gaveta inferior | | | | 14 | | 4 | - | geladeira | 12 | |
| | 5 | Sonda de geladeira | | | | 15 | | 5 | Fã | - | 13 | |
| | 6 | Sensor de descongelamento da geladeira | | | | 16 | | 6 | | - | 14 | |
| | 7 | Sonda de radar 1 (Opção) | | | | 17 | | 7 | Fã | geladeira | 15 | |
| | 8 | Sonda de radar 2 (Opção) | | | | 18 | | 8 | | congelador | 16 | |
| | 9 | Sonda do congelador | | | | 19 | | CN10 | 1 | +5V | sonda de umidade | |
| | 10 | Sensor de descongelamento do congelador | | | | 20 | | | 2 | GND | | |
| CN8 | 1 | - | - | - | - | 8 | 3 | | - | - | | |
| | 2 | B- | - | | - | 9 | 4 | | AMB | sonda de umidade | | |
| | 3 | A- | - | | - | 10 | 5 | | HUM | sonda de umidade | | |
| | 4 | - | - | | - | 11 | 6 | | - | - | | |
| | 5 | - | - | | - | 12 | 7 | | - | - | | |
| | 6 | A- | válvula de refrigeração | | X | 13 | 8 | | - | - | | |
| | 7 | B- | | | X | 14 | CN5 | | 1 | TX | Mostrar | |
| 1 | VB | Resistência da travessa da porta | | | 2 | RX | | | | | | |
| 2 | - | - | | | 3 | +12V | | | | | | |
| 3 | RD | - | | | 4 | GND | | | | | | |
| CN2 | 4 | - | - | | | CN1 | 1 | L | Estágio | | | |
| | 5 | FD | Resistência ao descongelamento | | | | 2 | - | - | | | |
| | 6 | - | - | | | | 3 | - | - | | | |
| | 7 | N | Neutro | | | | 4 | - | - | | | |
| | 8 | N | - | | | | 5 | N | Neutro | | | |
| CN4 | 9 | N | Neutro | | | CN3 | 1 | - | protetor de compressor | | | |
| | 1 | - | - | | | | 2 | - | - | | | |
| | 2 | - | - | | | | 3 | - | protetor de compressor | | | |
| | 3 | - | - | | | CN12 | 1 | V | Compressor | | | |
| | 4 | - | - | | | | 2 | - | - | | | |
| | 5 | - | - | | | | 3 | U | - | | | |
| | 6 | - | - | | | | 4 | - | Compressor | | | |
| | 7 | - | - | | | | 5 | - | - | | | |
| | 8 | - | - | | | | 6 | W | Compressor | | | |
| | 9 | A+ | válvula | | | CN12 | 1 | V | Compressor | | | |
| | 10 | A- | | | | | - | | 2 | - | - | |
| | 11 | B- | | | | | - | | 3 | U | - | |
| 12 | B+ | - | | | | | 4 | - | Compressor | | | |

La solution assistance



| KOD BŁĘDU | OPIS |
|-----------|--|
| E1 | Błąd czujnika lodówki |
| E2 | Błąd czujnika zamrażarki |
| E3 | Błąd czujnika zaworu |
| E4 | Awaria czujnika odszraniania lodówki |
| E5 | Błąd czujnika odszraniania zamrażarki |
| E6 | Problem z komunikacją z wyświetlaczem / zasilaniem |
| E7 | Błąd czujnika otoczenia |
| ON | Błąd czujnika wilgotności |

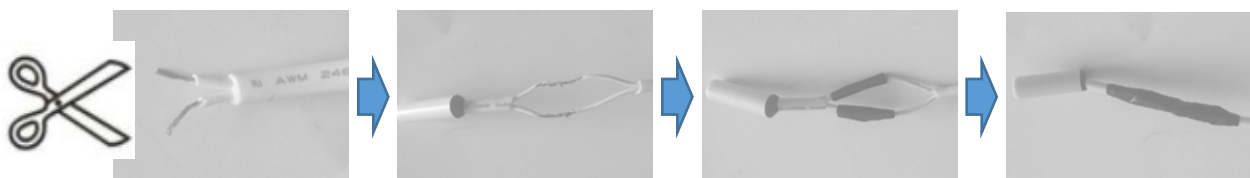
| Wartości sondy temperatury | | | | | | | |
|----------------------------|--------|-------|--------|-------|--------|-------|--------|
| T () | R (KΩ) | T () | R (KΩ) | T () | R (KΩ) | T () | R (KΩ) |
| -30 | 33,81 | -18 | 16.90 | 2 | 5.873 | 8 | 4.372 |
| -28 | 30.01 | -16 | 15.12 | 3 | 5.587 | 10 | 3.972 |
| -26 | 26.68 | -10 | 10.920 | 4 | 5.315 | 15 | 3.141 |
| -24 | 23.76 | -5 | 8.392 | 5 | 5.060 | 20 | 2.501 |
| -22 | 21.18 | 0 | 6.495 | 6 | 4.818 | 25 | 2.005 |
| -20 | 18.90 | 1 | 6.175 | 7 | 4.589 | 30 | 1.617 |

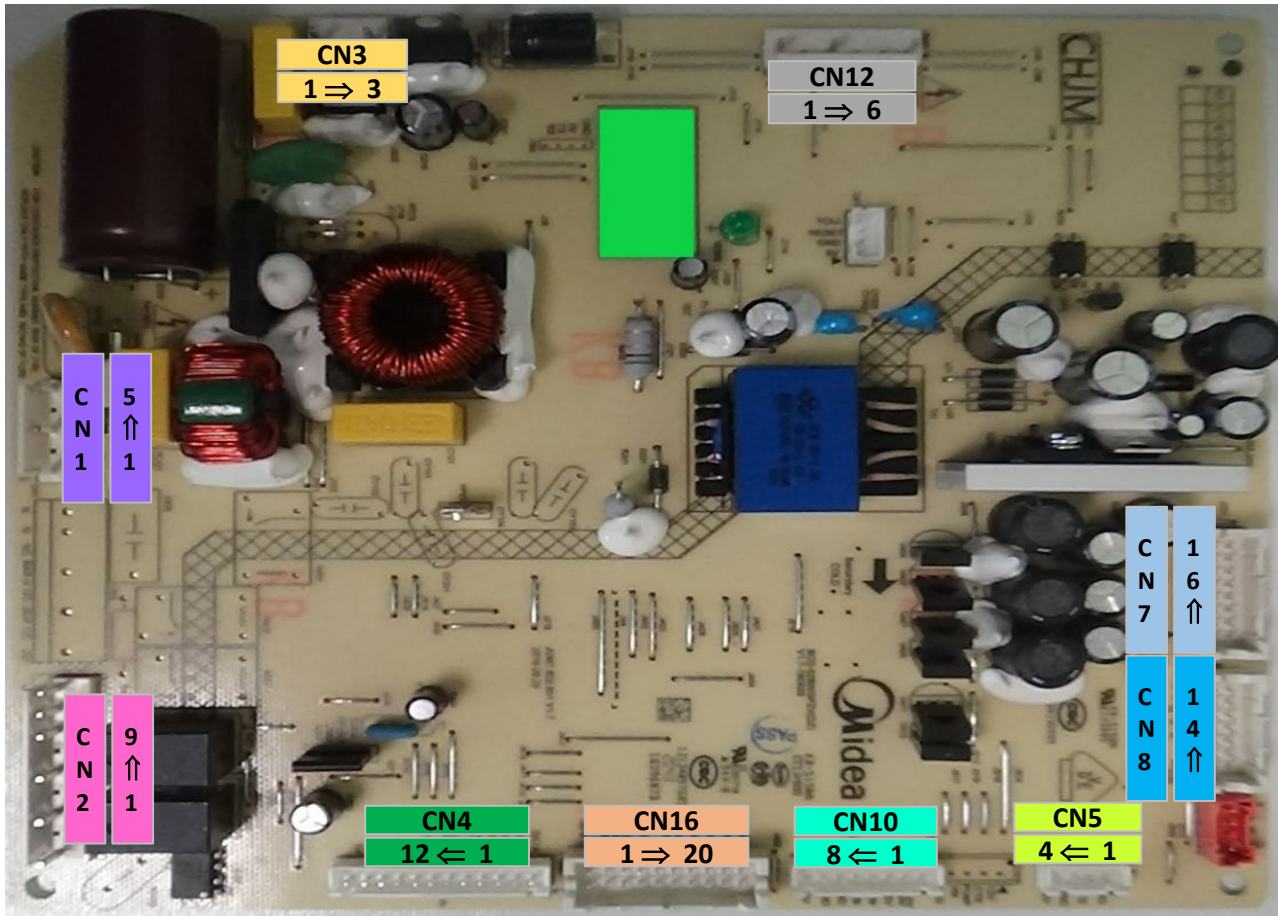
Dostęp do parownika (tylko modele z dwiema szufladami)

Odkręć 3 śruby z przodu przegrody(1) następnie odczep go z boku, aby wyjąć(2) . W końcu zestrzel(3) przewodu, aby go odłączyć i wyjąć.



Wymiana czujnika temperatury FMF188348659 : Ta sonda jest standardowa, może być konieczne przecięcie przewodów uszkodzonej sondy i przelutowanie nowej podczas jej wymiany, jeśli złącze jest inne.

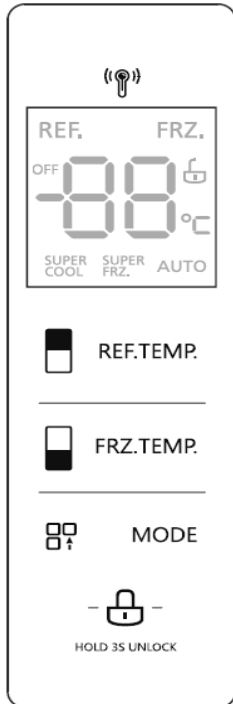




La solution assistance

| | | | | | | | | | | | | |
|------|----|--|-------------------------------|---|---|------|------|------|--------------------------|--------------------|----|--|
| CN16 | 1 | Prawy przełącznik lodówki | | | | 11 | CN7 | 1 | - | oświetlenie ledowe | 9 | |
| | 2 | Przełącznik zamrażarki górnej szuflady | | | | 12 | | 2 | - | | 10 | |
| | 3 | Przełącznik lewej lodówki | | | | 13 | | 3 | Oświetlenie | - | 11 | |
| | 4 | Przełącznik zamrażarki dolnej szuflady | | | | 14 | | 4 | - | lodówka | 12 | |
| | 5 | Sonda do lodówki | | | | 15 | | 5 | Wentylator | - | 13 | |
| | 6 | Czujnik rozmrażania lodówki | | | | 16 | | 6 | | - | 14 | |
| | 7 | Sonda radarowa 1 (opcja) | | | | 17 | | 7 | Wentylator | lodówka | 15 | |
| | 8 | Sonda radarowa 2 (opcja) | | | | 18 | | 8 | | zamrażarka | 16 | |
| | 9 | Sonda do zamrażarki | | | | 19 | | 1 | +5V | Sonda wilgotności | | |
| | 10 | Czujnik odszraniania zamrażarki | | | | 20 | | 2 | GND | | | |
| CN8 | 1 | - | - | - | - | 8 | CN10 | 3 | - | - | | |
| | 2 | B- | - | - | - | 9 | | 4 | AMB | Sonda wilgotności | | |
| | 3 | A- | - | - | - | 10 | | 5 | HUM | Sonda wilgotności | | |
| | 4 | - | - | - | - | 11 | | 6 | - | - | | |
| | 5 | - | - | - | - | 12 | | 7 | - | - | | |
| | 6 | A- | Zawór chłodniczy | | | X | | 13 | 8 | - | - | |
| | 7 | B- | | | | X | | 14 | | | | |
| CN2 | 1 | VB | Wytrzymałość poprzeczki drzwi | | | CN5 | 1 | TX | Wyświetlacz | | | |
| | 2 | - | - | | | | 2 | RX | | | | |
| | 3 | RD | - | | | | 3 | +12V | | | | |
| | 4 | - | - | | | | 4 | GND | | | | |
| | 5 | FD | Odporność na rozmrażanie | | | CN1 | 1 | L | Faza | | | |
| | 6 | - | - | | | | 2 | - | - | | | |
| | 7 | N | Neutralny | | | | 3 | - | - | | | |
| | 8 | N | - | | | | 4 | - | - | | | |
| | 9 | N | Neutralny | | | | 5 | N | Neutralny | | | |
| CN4 | 1 | - | - | | | CN3 | 1 | - | Zabezpieczenie sprężarki | | | |
| | 2 | - | - | | | | 2 | - | - | | | |
| | 3 | - | - | | | | 3 | - | Zabezpieczenie sprężarki | | | |
| | 4 | - | - | | | CN12 | 1 | V | Kompresor | | | |
| | 5 | - | - | | | | 2 | - | - | | | |
| | 6 | - | - | | | | 3 | U | - | | | |
| | 7 | - | - | | | | 4 | - | Kompresor | | | |
| | 8 | - | - | | | | 5 | - | - | | | |
| | 9 | A+ | zawór | | | | 6 | W | Kompresor | | | |
| | 10 | A- | | | | | | | | | | |
| | 11 | B- | | | | | | | | | | |
| | 12 | B+ | | | | | | | | | | |

La solution assistance



| HIBAKÓD | LEÍRÁS |
|-----------|---|
| E1 | Hűtőszekrény érzékelő hiba |
| E2 | Fagyasztó érzékelő hiba |
| E3 | Szelepérzékelő hiba |
| E4 | A hűtőszekrény leolvasztás érzékelője hibás |
| E5 | Fagyasztó leolvasztás érzékelő hibája |
| E6 | Kijelző / tápellátás kommunikációs probléma |
| E7 | Környezeti érzékelő hibája |
| Ő | A páratartalom érzékelő hibája |

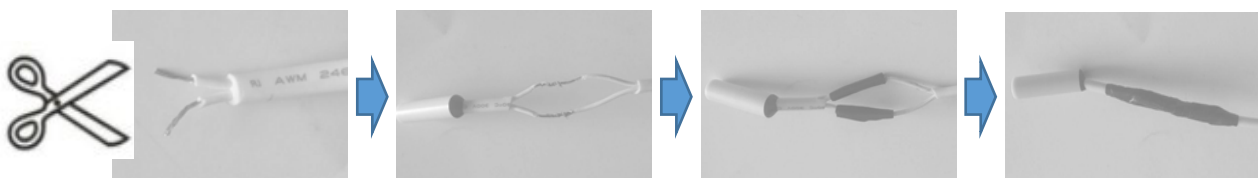
| Hőmérséklet-szonda értékek | | | | | | | |
|----------------------------|--------|-------|--------|-------|--------|-------|--------|
| T () | R (KΩ) | T () | R (KΩ) | T () | R (KΩ) | T () | R (KΩ) |
| -30 | 33.81 | -18 | 16.90 | 2 | 5.873 | 8 | 4.372 |
| -28 | 30.01 | -16 | 15.12 | 3 | 5.587 | 10 | 3.972 |
| -26 | 26.68 | -10 | 10.920 | 4 | 5.315 | 15 | 3.141 |
| -24 | 23.76 | -5 | 8.392 | 5 | 5.060 | 20 | 2.501 |
| -22 | 21.18 | 0 | 6.495 | 6 | 4.818 | 25 | 2.005 |
| -20 | 18.90 | 1 | 6.175 | 7 | 4.589 | 30 | 1.617 |

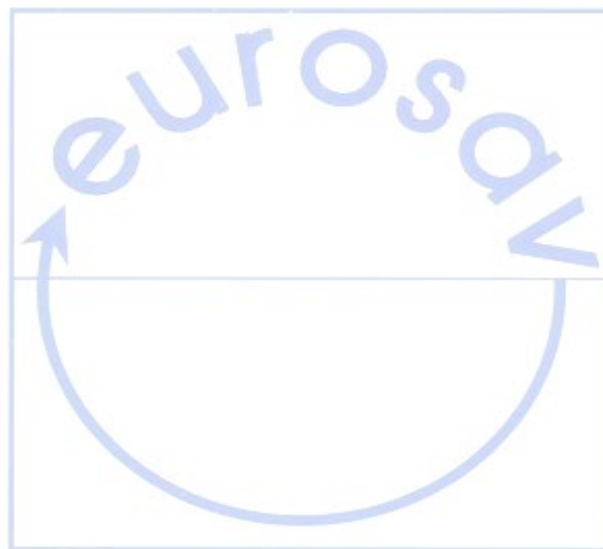
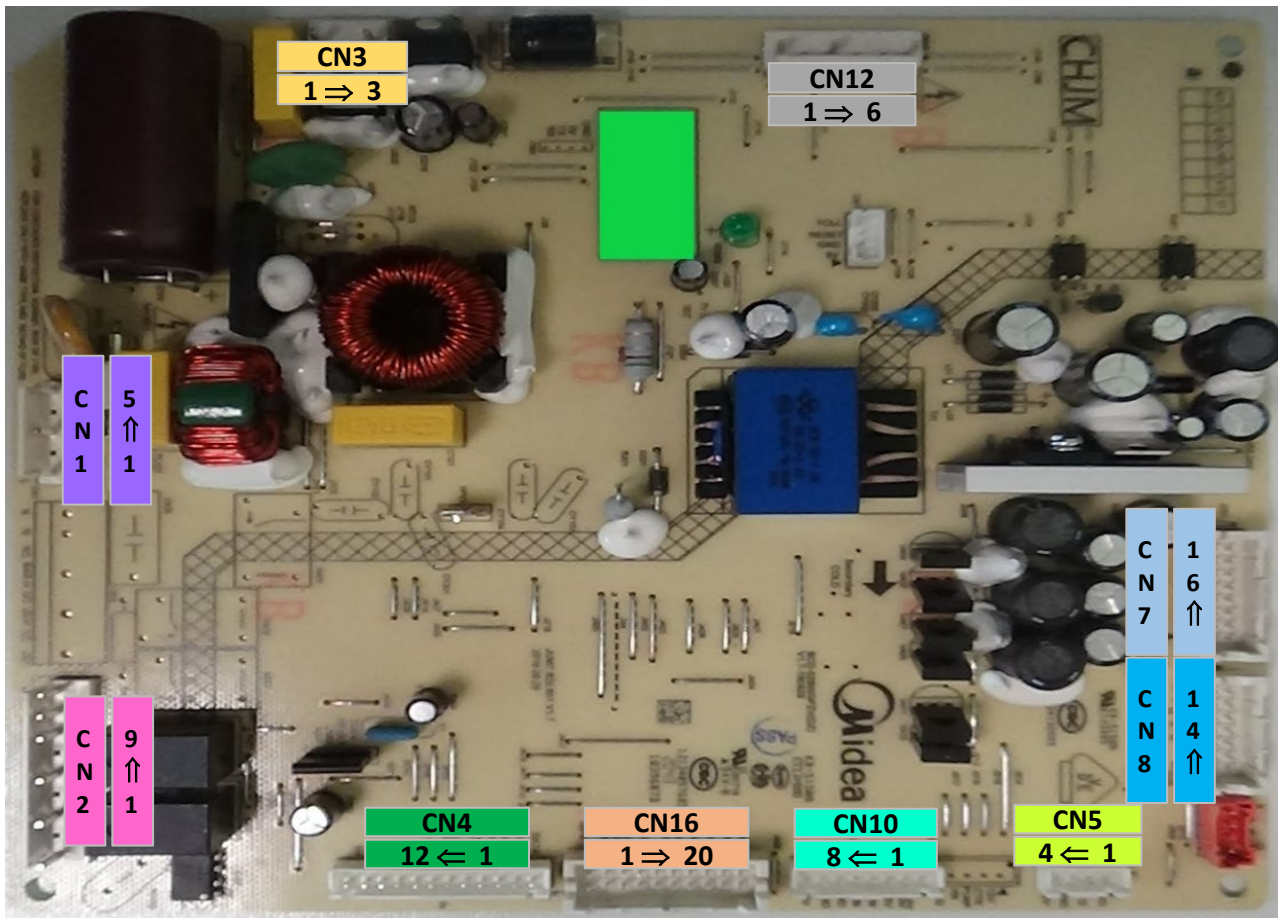
Elpárolgató hozzáférés (csak két fiókos modellek)

Távolítsa el a 3 csavart a válaszfal elején(1) majd akassza ki az oldalán a kihúzáshoz(2) . Végül lőj le(3) vezeték a leválasztáshoz és kiszereléshez.



Hőmérséklet érzékelő csere **FMF188348659** : Ez a szonda általános, előfordulhat, hogy el kell vágni a hibás szonda vezetékét, és cserekor újra kell forrasztani az újat, ha más a csatlakozó.

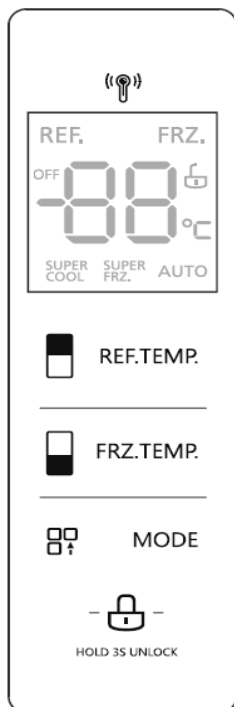




La solution assistance

| | | | | | | | | | | | | |
|------|----|-----------------------------------|---------------------------------------|---|---|------|------|------|------------------|---------------------|----|--|
| CN16 | 1 | Jobb hűtő kapcsoló | | | | 11 | CN7 | 1 | - | LED világítás | 9 | |
| | 2 | Felső fiókos fagyasztókapcsoló | | | | 12 | | 2 | - | | 10 | |
| | 3 | Bal oldali hűtőkapcsoló | | | | 13 | | 3 | Világítás | - | 11 | |
| | 4 | Alsó fiókos fagyasztókapcsoló | | | | 14 | | 4 | - | hűtő | 12 | |
| | 5 | Hűtőszonda | | | | 15 | | 5 | Ventilátor | - | 13 | |
| | 6 | Hűtőszekrény leolvasztás érzékelő | | | | 16 | | 6 | | - | 14 | |
| | 7 | 1. radarszonda (opció) | | | | 17 | | 7 | Ventilátor | hűtő | 15 | |
| | 8 | 2. radarszonda (opció) | | | | 18 | | 8 | | mélyhűtő | 16 | |
| | 9 | Fagyasztó szonda | | | | 19 | | 1 | +5V | Páratartalom szonda | | |
| | 10 | Fagyasztó leolvasztás érzékelő | | | | 20 | | 2 | GND | | | |
| CN8 | 1 | - | - | - | - | 8 | CN10 | 3 | - | - | | |
| | 2 | B- | - | - | - | 9 | | 4 | AMB | Páratartalom szonda | | |
| | 3 | A- | - | - | - | 10 | | 5 | HUM | Páratartalom szonda | | |
| | 4 | - | - | - | - | 11 | | 6 | - | - | | |
| | 5 | - | - | - | - | 12 | | 7 | - | - | | |
| | 6 | A- | Hűtőszelep | | | X | | 13 | 8 | - | - | |
| | 7 | B- | | | | X | | 14 | | | | |
| CN2 | 1 | VB | Az ajtó kereszttartójának ellenállása | | | CN5 | 1 | TX | Kijelző | | | |
| | 2 | - | - | | | | 2 | RX | | | | |
| | 3 | RD | - | | | | 3 | +12V | | | | |
| | 4 | - | - | | | | 4 | GND | | | | |
| | 5 | FD | Leolvasztási ellenállás | | | CN1 | 1 | L | Fázis | | | |
| | 6 | - | - | | | | 2 | - | - | | | |
| | 7 | N | Semleges | | | | 3 | - | - | | | |
| | 8 | N | - | | | | 4 | - | - | | | |
| | 9 | N | Semleges | | | | 5 | N | Semleges | | | |
| CN4 | 1 | - | - | | | CN3 | 1 | - | Kompresszor védő | | | |
| | 2 | - | - | | | | 2 | - | - | | | |
| | 3 | - | - | | | | 3 | - | Kompresszor védő | | | |
| | 4 | - | - | | | CN12 | 1 | V | Kompresszor | | | |
| | 5 | - | - | | | | 2 | - | - | | | |
| | 6 | - | - | | | | 3 | U | - | | | |
| | 7 | - | - | | | | 4 | - | Kompresszor | | | |
| | 8 | - | - | | | | 5 | - | - | | | |
| | 9 | A+ | szelep | | | | 6 | W | Kompresszor | | | |
| | 10 | A- | | | | | | | | | | |
| | 11 | B- | | | | | | | | | | |
| | 12 | B+ | | | | | | | | | | |

La solution assistance



| COD DE EROARE | DESCRIERE |
|---------------|---|
| E1 | Eroare la senzorul frigiderului |
| E2 | Eroare la senzorul congelatorului |
| E3 | Defecțiune la senzorul supapei |
| E4 | Eroare la senzorul de dezghețare al frigiderului |
| E5 | Eroare la senzorul de dezghețare a congelatorului |
| E6 | Problemă de comunicare cu afișaj / putere |
| E7 | Defecțiune la senzorul de mediu |
| EL | Eroare la senzorul de umiditate |

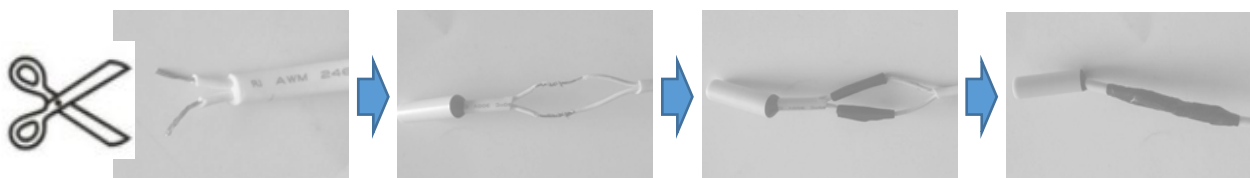
| Valorile sondei de temperatură | | | | | | | |
|--------------------------------|--------|-------|--------|-------|--------|-------|--------|
| T () | R (KΩ) | T () | R (KΩ) | T () | R (KΩ) | T () | R (KΩ) |
| -30 | 33,81 | -18 | 16.90 | 2 | 5.873 | 8 | 4.372 |
| -28 | 30.01 | -16 | 15.12 | 3 | 5.587 | 10 | 3.972 |
| -26 | 26.68 | -10 | 10.920 | 4 | 5.315 | 15 | 3.141 |
| -24 | 23.76 | -5 | 8.392 | 5 | 5.060 | 20 | 2.501 |
| -22 | 21.18 | 0 | 6.495 | 6 | 4.818 | 25 | 2.005 |
| -20 | 18.90 | 1 | 6.175 | 7 | 4.589 | 30 | 1.617 |

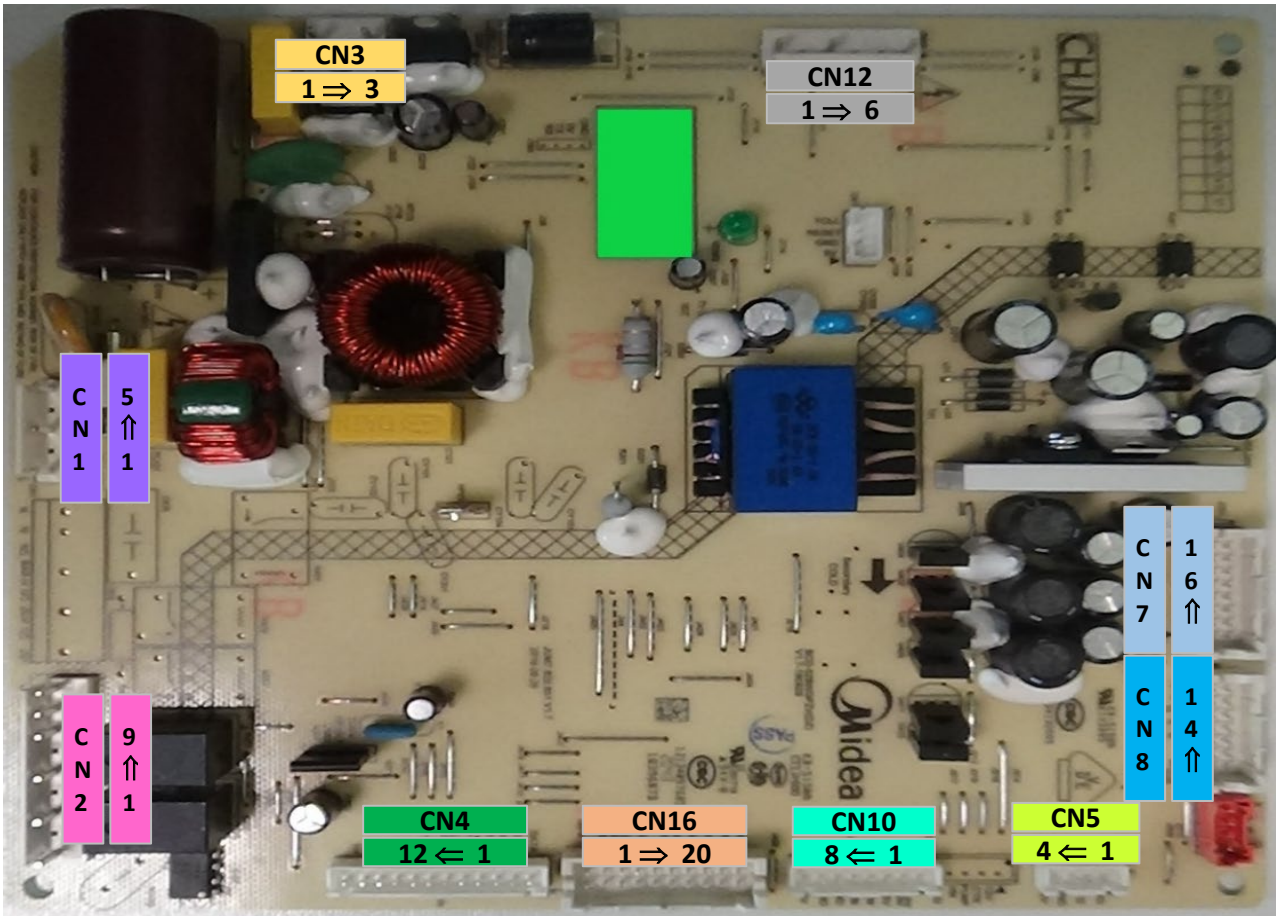
Acces la evaporator (numai modele cu două sertare)

Scoateți cele 3 șuruburi din partea din față a pereților etanși(1) apoi desprindeți-l pe lateral pentru a extrage(2) . În cele din urmă împușcă(3) conductă pentru a o decupla și a o scoate.



Înlocuirea senzorului de temperatură FMF188348659 : Această sondă este generică, este posibil să trebuiască să tăiați firele sondei defecte și să o resedați pe cea nouă atunci când o înlocuiți dacă conectorul este diferit.

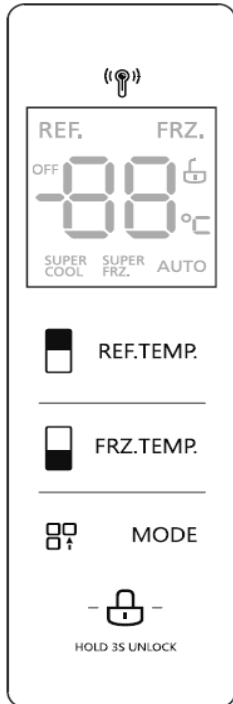




La solution assistance

| | | | | | | | | | | | | | | | | | |
|-------------|----|--------------------------------------|--------------------------|---|---|-------------|-------------|--------|------------|--------------------|------------|------------|-----|-----------|---------------------|--|---------------------|
| CN16 | 1 | Comutator dreapta frigider | | | | 11 | CN7 | 1 | - | iluminare LED | 9 | | | | | | |
| | 2 | Comutator congelator sertar superior | | | | 12 | | 2 | - | | 10 | | | | | | |
| | 3 | Comutator frigider stânga | | | | 13 | | 3 | Iluminat | - | 11 | | | | | | |
| | 4 | Comutator congelator sertar inferior | | | | 14 | | 4 | - | frigider | 12 | | | | | | |
| | 5 | Sonda frigider | | | | 15 | | 5 | Ventilator | - | 13 | | | | | | |
| | 6 | Senzor dezghețare frigider | | | | 16 | | 6 | | - | 14 | | | | | | |
| | 7 | Sondă radar 1 (Opțiune) | | | | 17 | | 7 | Ventilator | frigider | 15 | | | | | | |
| | 8 | Sondă radar 2 (Opțiune) | | | | 18 | | 8 | | Lada frigorifica | 16 | | | | | | |
| | 9 | Sonda congelatorului | | | | 19 | | 1 | +5V | Sonda de umiditate | | | | | | | |
| | 10 | Senzor dezghețare congelator | | | | 20 | | | 2 | | | | GND | | | | |
| CN8 | 1 | - | - | - | - | 8 | CN10 | 3 | - | - | | | | | | | |
| | 2 | B- | - | - | - | 9 | | 4 | AMB | Sonda de umiditate | | | | | | | |
| | 3 | A- | - | - | - | 10 | | 5 | HUM | Sonda de umiditate | | | | | | | |
| | 4 | - | - | - | - | 11 | | 6 | - | - | | | | | | | |
| | 5 | - | - | - | - | 12 | | 7 | - | - | | | | | | | |
| | 6 | A- | Supapă de refrigerare | | | X | | 13 | 8 | - | - | | | | | | |
| | 7 | B- | | | | X | | 14 | 1 | TX | CN5 | | | | | | |
| 1 | VB | Rezistența traverselor ușii | | | 2 | RX | CN1 | Afișa | | | | | | | | | |
| 2 | - | - | | | 3 | +12V | | | | | | | | | | | |
| 3 | RD | - | | | 4 | GND | | | | | | | | | | | |
| CN2 | 4 | - | - | | | 1 | L | Fază | | | | | | | | | |
| | 5 | FD | Rezistența la dezghețare | | | 2 | - | - | | | | | | | | | |
| | 6 | - | - | | | 3 | - | - | | | | | | | | | |
| | 7 | N | Neutru | | | 4 | - | - | | | | | | | | | |
| | 8 | N | - | | | 5 | N | Neutru | | | | | | | | | |
| CN4 | 9 | N | Neutru | | | CN12 | | | | | | | | | | | |
| | 1 | - | - | | | | | | | | | CN3 | 1 | - | Protector compresor | | |
| | 2 | - | - | | | | | | | | | | 2 | - | | | - |
| | 3 | - | - | | | | | | | | | | 3 | - | | | Protector compresor |
| | 4 | - | - | | | | | | | | | 1 | V | Compresor | | | |
| | 5 | - | - | | | | | | | | | 2 | - | - | | | |
| | 6 | - | - | | | | | | | | | 3 | U | - | | | |
| | 7 | - | - | | | | | | | | | 4 | - | Compresor | | | |
| | 8 | - | - | | | | | | | | | 5 | - | - | | | |
| | 9 | A+ | supapă | | | | | | | | | 6 | W | Compresor | | | |
| | 10 | A- | | | | | | | | | | | | | | | |
| | 11 | B- | | | | | | | | | | | | | | | |
| 12 | B+ | | | | | | | | | | | | | | | | |

La solution assistance



| FEHLERCODE | BESCHREIBUNG |
|------------|--|
| E1 | Fehler am Kühlschranksensor |
| E2 | Fehler am Gefrierschranksensor |
| E3 | Fehler am Ventilsensor |
| E4 | Fehler am Abtausensor des Kühlschranks |
| E5 | Fehler am Abtausensor des Gefrierschranks |
| E6 | Problem mit der Anzeige/Stromkommunikation |
| E7 | Fehler am Umgebungssensor |
| ER | Fehler am Feuchtigkeitssensor |

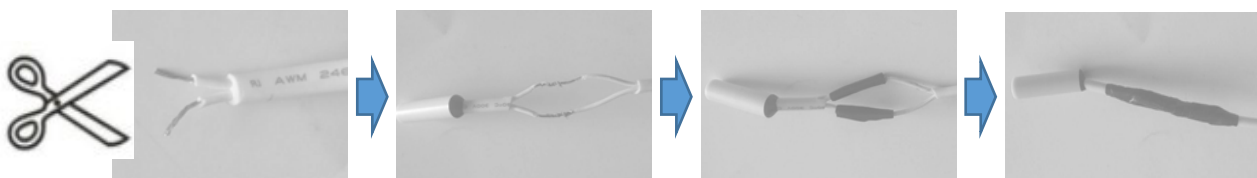
| Temperaturfühlerwerte | | | | | | | |
|-----------------------|--------|-------|--------|-------|--------|-------|--------|
| T () | R (KΩ) | T () | R (KΩ) | T () | R (KΩ) | T () | R (KΩ) |
| -30 | 33,81 | -18 | 16,90 | 2 | 5.873 | 8 | 4.372 |
| -28 | 30.01 | -16 | 15.12 | 3 | 5.587 | 10 | 3.972 |
| -26 | 26.68 | -10 | 10.920 | 4 | 5.315 | 15 | 3.141 |
| -24 | 23.76 | -5 | 8.392 | 5 | 5.060 | 20 | 2.501 |
| -22 | 21.18 | 0 | 6.495 | 6 | 4.818 | 25 | 2.005 |
| -20 | 18.90 | 1 | 6.175 | 7 | 4.589 | 30 | 1.617 |

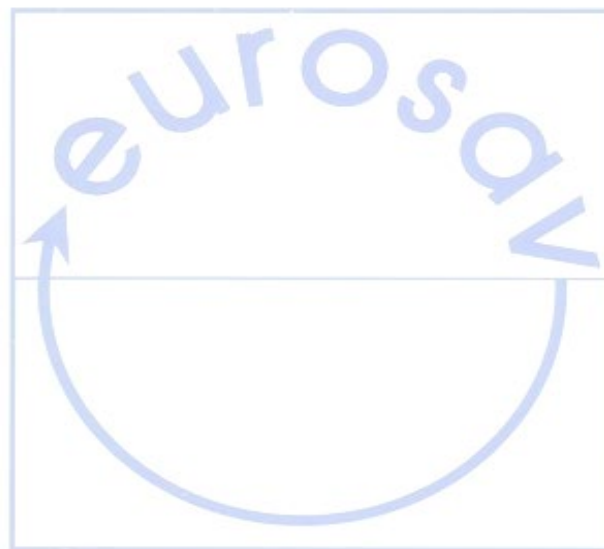
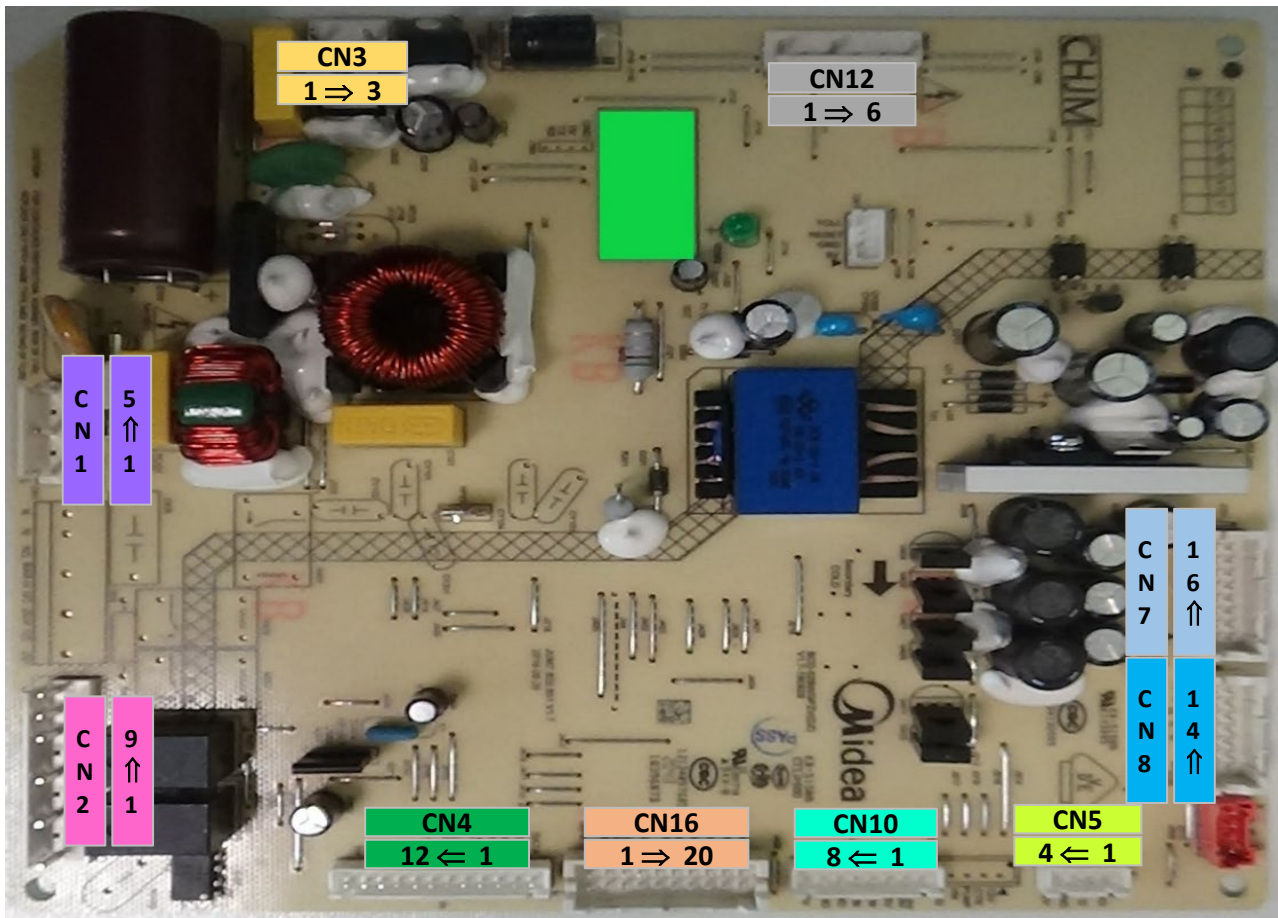
Zugang zum Verdampfer (nur Modelle mit zwei Schubladen)

Entfernen Sie die 3 Schrauben an der Vorderseite der Trennwand (1) hängen Sie es dann an der Seite aus, um es herauszuziehen (2). Endlich abschließen (3) Leitung, um es abzukoppeln und herauszunehmen



Austausch des Temperatursensors FMF188348659: Diese Sonde ist generisch. Wenn der Stecker anders ist, müssen Sie möglicherweise die Drähte der defekten Sonde abschneiden und die neue Sonde neu verlöten, wenn Sie sie austauschen.





La solution assistance

| | | | | | | | | | | | | |
|------|----|--|-------------------------------|---|---|------|-----|------|------------------|--------------------|--------------------|--|
| CN16 | 1 | Rechter Kühlschrankschalter | | | | 11 | CN7 | 1 | - | LED-Beleuchtung | 9 | |
| | 2 | Schalter für den Gefrierschrank in der oberen Schublade | | | | 12 | | 2 | - | | 10 | |
| | 3 | Linker Kühlschrankschalter | | | | 13 | | 3 | Beleuchtung | - | 11 | |
| | 4 | Schalter für den Gefrierschrank in der unteren Schublade | | | | 14 | | 4 | - | Kühlschrank | 12 | |
| | 5 | Kühlschranksonde | | | | 15 | | 5 | Fan | - | 13 | |
| | 6 | Kühlschrank-Abtausensor | | | | 16 | | 6 | | - | 14 | |
| | 7 | Radarsonde 1 (Option) | | | | 17 | | 7 | Fan | Kühlschrank | 15 | |
| | 8 | Radarsonde 2 (Option) | | | | 18 | | 8 | | Gefrierschrank | 16 | |
| | 9 | Gefriersonde | | | | 19 | | CN10 | 1 | +5V | Feuchtigkeitssonde | |
| | 10 | Gefrierschrank-Abtausensor | | | | 20 | | | 2 | GND | | |
| CN8 | 1 | - | - | - | - | 8 | 3 | | - | - | | |
| | 2 | B- | - | - | - | 9 | 4 | | AMB | Feuchtigkeitssonde | | |
| | 3 | A- | - | - | - | 10 | 5 | | HUM | Feuchtigkeitssonde | | |
| | 4 | - | - | - | - | 11 | 6 | | - | - | | |
| | 5 | - | - | - | - | 12 | 7 | | - | - | | |
| | 6 | A- | Kühlventil | | X | 13 | 8 | | - | - | | |
| | 7 | B- | | | X | 14 | | | | | | |
| CN2 | 1 | VB | Widerstand des Türquerträgers | | | CN5 | 1 | | TX | Anzeige | | |
| | 2 | - | - | | | | 2 | RX | | | | |
| | 3 | RD | - | | | | 3 | +12V | | | | |
| | 4 | - | - | | | | 4 | GND | | | | |
| | 5 | FD | Abtaubeständigkeit | | | CN1 | 1 | L | Phase | | | |
| | 6 | - | - | | | | 2 | - | - | | | |
| | 7 | N | Neutral | | | | 3 | - | - | | | |
| | 8 | N | - | | | | 4 | - | - | | | |
| | 9 | N | Neutral | | | | 5 | N | Neutral | | | |
| CN4 | 1 | - | - | | | CN3 | 1 | - | Kompressorschutz | | | |
| | 2 | - | - | | | | 2 | - | - | | | |
| | 3 | - | - | | | | 3 | - | Kompressorschutz | | | |
| | 4 | - | - | | | CN12 | 1 | V | Kompressor | | | |
| | 5 | - | - | | | | 2 | - | - | | | |
| | 6 | - | - | | | | 3 | U | - | | | |
| | 7 | - | - | | | | 4 | - | Kompressor | | | |
| | 8 | - | - | | | | 5 | - | - | | | |
| | 9 | A+ | Ventil | | | | 6 | W | Kompressor | | | |
| | 10 | A- | | | | | | | | | | |
| | 11 | B- | | | | | | | | | | |
| | 12 | B+ | | | | | | | | | | |

La solution assistance