



Continental Edison



CEMO34CEB

**Four à Micro-ondes Encastrable - Built-in Microwave Oven
Guide d'utilisation - Instruction Manual**

IMPORTANT SAFETY INSTRUCTIONS

When using electrical appliance basic safety precautions should be followed, including the following:

WARNING: To reduce the risk of burns, electric shock, fire, injury to persons or exposure to excessive microwave energy:

1. Read all instructions before using the appliance and keep for future reference.
2. Use this appliance only for its intended use as described in this manual. Do not use corrosive chemicals or vapors in this appliance. This type of oven is specifically designed to heat, cook or dry food. It is not designed for industrial or laboratory use.
3. Do not operate the oven when empty.
4. Do not operate this appliance if it has a damaged cord or plug, if it is not working properly or if it has been damaged or dropped. If the supply cord is damaged, it must be replaced by the manufacturer or its service agent or a similarly qualified person in order to avoid a hazard.
5. Warning: When the appliance is operated in the combination mode, children should only use the oven under adult supervision due to the temperatures generated.
6. **WARNING:** Only allow children to use the oven without supervision when adequate instructions have been given so that the child is able to use the oven in a safe way and understands the hazards of improper use.

7. To reduce the risk of fire in the oven cavity:
- a) When heating food in plastic or paper container, check the oven frequently to the possibility of ignition.
 - b) Remove wire twist-ties from paper or plastic bags before placing bag in oven.
 - c) If smoke is observed, switch off or unplug the appliance and keep the door closed in order to stifle any flames.
 - d) Do not use the cavity for storage purposes. Do not leave paper products, cooking utensils or food in the cavity when not in use.
 - e) The microwave oven is intended for heating food and beverages. Drying of clothing and heating of warming pads, slippers, sponges, damp cloth and similar may lead to risk of injury, ignition or fire.
8. **WARNING:** Liquid or other food must not be heated in sealed containers since they are liable to explode.
9. Microwave heating of beverage can result in delayed eruptive boiling, therefore care has to be taken when handle the container.
10. Do not fry food in the oven. Hot oil can damage oven parts and utensils and even result in skin burns.
11. Eggs in their shell and whole hard-boiled eggs should not be heated in microwave ovens since they may explode even after microwave heating has ended.
12. Pierce foods with heavy skins such as potatoes, whole squashes, apples and chestnuts

- before cooking.
13. The contents of feeding bottles and baby jars should be stirred or shaken and the temperature should be checked before serving in order to avoid burns.
 14. Cooking utensils may become hot because of heat transferred from the heated food. Potholders may be needed to handle the utensil.
 15. Utensils should be checked to ensure that they are suitable for use in microwave oven.
 16. **WARNING:** It is hazardous for anyone other than a trained person to carry out any service or repair operation which involves the removal of any cover which gives protection against exposure to microwave energy.
 17. This product is a Group 2 Class B ISM equipment. The definition of Group 2 which contains all ISM (Industrial, Scientific and Medical) equipment in which radio-frequency energy is intentionally generated and/or used in the form of electromagnetic radiation for the treatment of material, and spark erosion equipment. For Class B equipment is equipment suitable for use in domestic establishments and in establishments directly connected to a low voltage power supply network which supplies buildings used for domestic purpose.
 18. This appliance is not intended for use by persons (including children) with reduced physical, sensory or mental capabilities, or lack of experience and knowledge, unless they have been given supervision or instruction concerning

- use of the appliance by a person responsible for their safety.
19. Children should be supervised to ensure that they do not play with the appliance.
 20. **WARNING:** Do not install oven over a range cook top or other heat-producing appliance. If installed could be damaged and the warranty would be void. .
 21. The microwave oven shall be placed in a cabinet.
 22. The door or the outer surface may get hot when the appliance is operating.
 23. **Warning:** Accessible parts may become hot during use. Young children should be kept away.
 24. During use the appliances becomes hot. Care should be taken to avoid touching heating elements inside the oven, for cooking ranged and ovens.
 25. The temperature of accessible surfaces may be high when the appliance is operating.
 26. Appliance is not to be used by children or persons with reduced physical, sensory or mental capabilities, or lack of experience and knowledge, unless they have been given supervision or instruction
 27. **WARNING:** If the door or door seals are damaged, the oven must not be operated until it has been repaired by a competent person
 28. The instructions shall state that appliances are not intended to be operated by means of an external timer or separate remote-control system.

29. The microwave oven is for household use only and not for commercial use.
30. Never remove the distance holder in the back or on the sides, as it ensures a minimum distance from the wall for air circulation.
31. Please secure the turntable before you move the appliance to avoid damages.
32. Caution: It is dangerous to repair or maintain the appliance by no other than a specialist because under these circumstances the cover have to be removed which assures protection against microwave radiation. This applies to changing the power cord or the lighting as well. Send the appliance in these cases to our service centre.
33. The microwave oven is intended for defrosting, cooking and steaming of food only.
34. Use gloves if you remove any heated food.
35. Caution! Steam will escape, when opening lids or wrapping foil.
36. This appliance can be used by children aged from 8 years and above and persons with reduced physical, sensory or mental capabilities or lack of experience and knowledge if they have been given supervision or instruction concerning use of the appliance in a safe way and understand the hazards involved. Children shall not be made by children unless they are aged from 8 years and above and supervised.
37. If smoke is emitted, switch off or unplug the appliance and keep the door closed in order to stifle any flames.

PRECAUTIONS TO AVOID POSSIBLE EXPOSURE TO EXCESSIVE MICROWAVE ENERGY

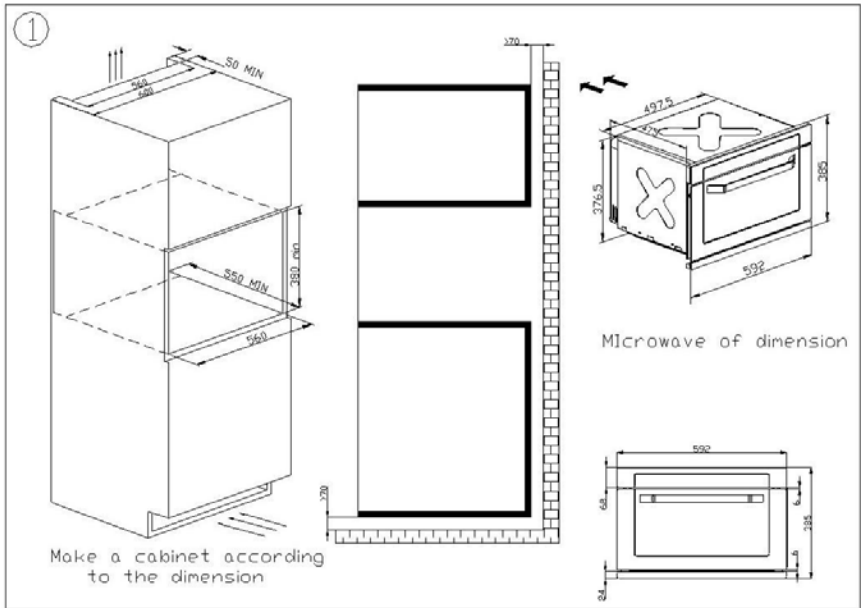
1. Do not attempt to operate this oven with the door open since open door operation can result in harmful exposure to microwave energy. It is important not to defeat or tamper with the safety interlocks.
2. Do not place any object between the oven front face and the door or allow soil or cleaner residue to accumulate on sealing surfaces.
3. Do not operate the oven if it is damaged. It is particularly important that the oven door close properly and that there is no damage to the
 - a) Door (bent),
 - b) Hinges and latches (broken or loosened),
 - c) Door seals and sealing surfaces.

The oven should not be adjusted or repaired by anyone except properly qualified service personnel.

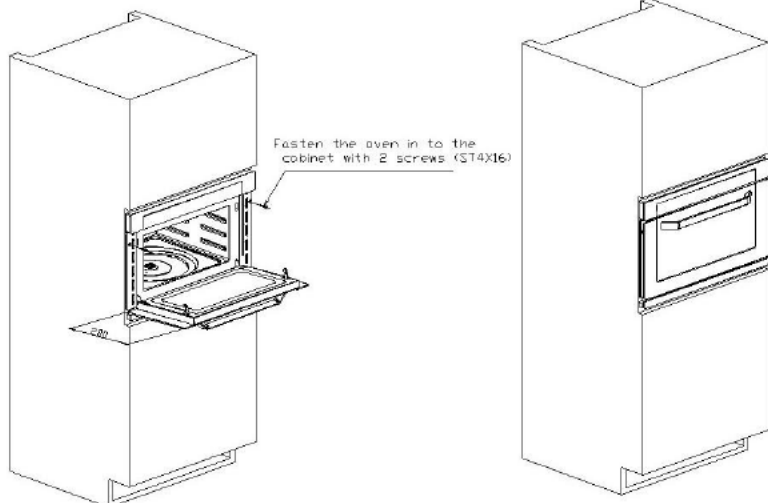
INSTALLATION

1. Make sure that all the packing materials are removed from the inside of the door.
2. **WARNING:** Check the oven for any damage, such as misaligned or bent door, damaged door seals and sealing surface, broken or loose door hinges and latches and dents inside the cavity or on the door. If there is any damage, do not operate

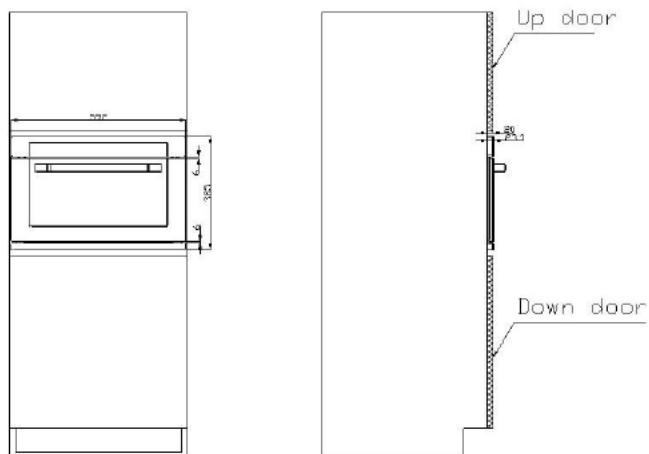
- the oven and contact qualified service personnel.
3. This microwave oven must be placed on a flat, stable surface to hold its weight and the heaviest food likely to be cooked in the oven.
 4. Do not place the oven where heat, moisture, or high humidity are generated, or near combustible materials.
 5. Do not operate the oven without glass tray, roller support, and shaft in their proper positions.
 6. Make sure that the power supply cord is undamaged and does not run under the oven or over any hot or sharp surface.
 7. The socket must be readily accessible so that it can be easily unplugged in an emergency.
 8. Do not use the oven outdoors.



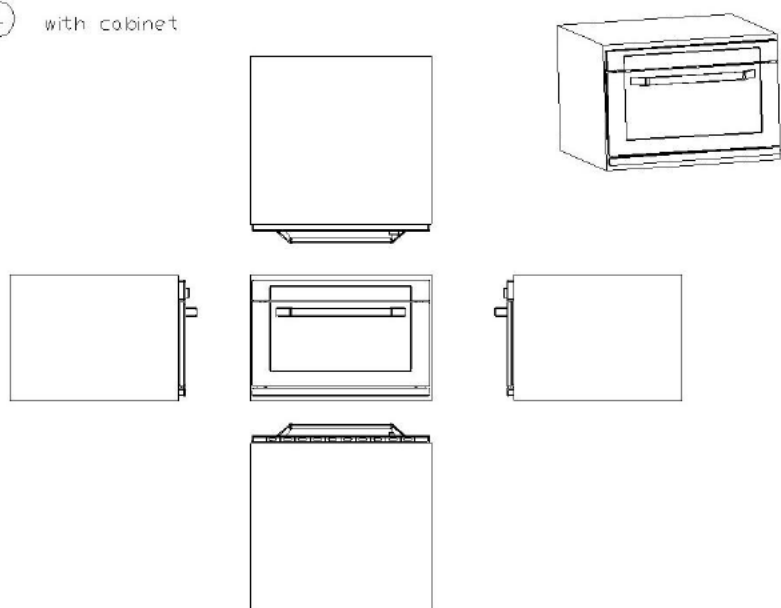
②



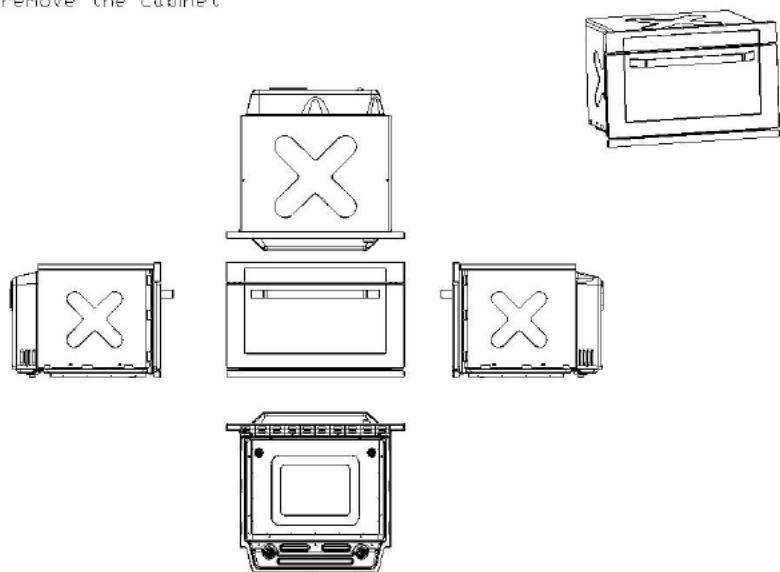
③



④ with cabinet

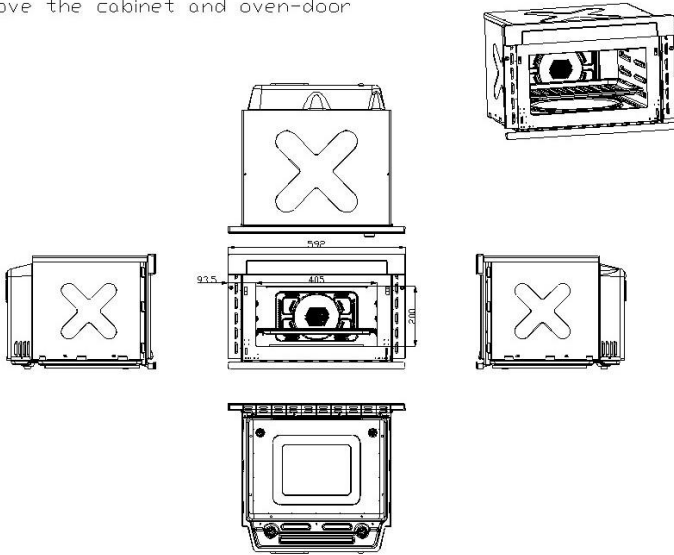


⑤ remove the cabinet



⑥

remove the cabinet and oven-door



CLEANING AND CARE

1. Turn off the oven and remove the power plug from the wall socket before cleaning.
2. Keep the inside of the oven clean. When food splatters or spilled liquids adhere to oven walls, wipe with a damp cloth. Mild detergent may be used if the oven gets very dirty. Avoid the use of spray and other harsh cleaners as they may stain, streak or dull the door surface.
3. The outside surfaces should be cleaned with a damp cloth. To prevent damage to the operating parts inside the oven, water should

- not be allowed to seep into the ventilation openings.
4. Wipe the door and window on both sides, the door seals and adjacent parts frequently with a damp cloth to remove any spills or spatters. Do not use abrasive cleaner.
 5. A steam cleaner is not be used.
 6. Do not allow the control panel to become wet. Clean with a soft, damp cloth. When cleaning the control panel, leave oven door open to prevent oven from accidentally turning on.
 7. If steam accumulates inside or around the outside of the oven door, wipe with a soft cloth. This may occur when the microwave oven is operated under high humidity condition. And it is normal.
 8. It is occasionally necessary to remove the glass tray for cleaning. Wash the tray in warm sudsy water or in a dishwasher.
 9. The roller ring and oven floor should be cleaned regularly to avoid excessive noise. Simply wipe the bottom surface of the oven with mild detergent. The roller ring may be washed in mild sudsy water or dishwasher. When removing the roller ring from cavity floor for cleaning, be sure to replace in the proper position.
 10. Remove odors from your oven by combining a cup of water with the juice and skin of one lemon in a deep microwaveable bowl, microwave for 5 minutes. Wipe

- thoroughly and dry with a soft cloth.
11. When it becomes necessary to replace the oven light, please consult a dealer to have it replaced.
 12. The oven should be cleaned regularly and any food deposits removed. Failure to maintain the oven in a clean condition could lead to deterioration of the surface that could adversely affect the life of the appliance and possibly result in a hazardous situation.
 13. Please do not dispose this appliance into the domestic rubbish bin, it should be disposed to the particular disposal center provided by the municipalities.
 14. When the microwave oven with grill function is first used, it may produce slight smoke and smell. This is a normal phenomenon, because the oven is made of a steel plate coated with lubricating oil, and the new oven will produce fumes and odor generated by burning the lubricating oil. This phenomenon will disappear after a period of using.

SPECIFICATIONS

Ref :	CEMO34CEB
Model :	D90D34MSXLQRII-YB
Voltage :	230-240V/50Hz,
Power Consumption:(Microwave)	1400W
Power Consumption:(Grill)	1250W

Power Consumption:(Convection)	2050W
Operation Frequency:	2450MHz
Outside Dimensions:	386mm(H)×592mm(W)×543mm(D)
Oven Cavity Dimensions:	238mm(H)×405mm(W)×351mm(D)
Oven Capacity:	34Litres
Operating mode	Turntable
Net Weight:	Approx.27 kg

BEFORE YOU CALL FOR SERVICE

If the oven fails to operate:

1. Check to ensure that the oven is plugged in securely. If it is not, remove the plug from the outlet, wait 10 seconds, and plug it in again securely.
2. Check for a blown circuit fuse or a tripped main circuit breaker. If these seem to be operating properly, test the outlet with another appliance.
3. Check to ensure that the control panel is programmed correctly and the timer is set.
4. Check to ensure that the door is securely closed engaging the door safety lock system.

Otherwise, the microwave energy will not flow into the oven.

IF NONE OF THE ABOVE RECTIFIES THE SITUATION, THEN CONTACT A QUALIFIED TECHNICIAN. DO NOT TRY TO ADJUST OR REPAIR THE OVEN YOURSELF.

GROUNDING INSTRUCTIONS

This appliance must be grounded. This oven is equipped with a cord having a grounding wire with a grounding plug. It must be plugged into a wall receptacle that is properly installed and grounded. In the event of an electrical short circuit, grounding reduces risk of electric shock by providing an escape wire for the electric current. It is recommended that a separate circuit serving only the oven be provided. Using a high voltage is dangerous and may result in a fire or other accident causing oven damage.

WARNING Improper use of the grounding plug can result in a risk of electric shock.

Note

1. If you have any questions about the grounding or electrical instructions, consult a qualified electrician or service person.
2. Neither the manufacturer nor the dealer can accept any liability for damage to the oven or personal injury resulting from failure to observe the electrical connection procedures.

The wires in this cable main are colored in accordance with the following code:

Green and Yellow = EARTH

Blue = NEUTRAL

Brown = LIVE

RADIO INTERFERENCE

Operation of the microwave oven can cause interference to your radio, TV, or similar equipment. When there is interference, it may be reduced or eliminated by taking the following measures:

1. Clean door and sealing surface of the oven.
2. Reorient the receiving antenna of radio or television.
3. Relocate the microwave oven with respect to the receiver.
4. Move the microwave oven away from the receiver.
5. Plug the microwave oven into a different outlet so that microwave oven and receiver are on different branch circuits.

MICROWAVE COOKING PRINCIPLES

1. Arrange food carefully. Place thickest areas towards outside of dish.
2. Watch cooking time. Cook for the shortest amount of time indicated and add more as needed. Food severely overcooked can smoke or ignite.
3. Cover foods while cooking. Covers prevent spattering and help foods to cook evenly.
4. Turn foods over once during microwaving to speed cooking of such foods as chicken and hamburgers. Large items like roasts must be turned over at least once.
5. Rearrange foods such as meatballs halfway through cooking both from top to bottom and from the center of the dish to the outside.

UTENSILS GUIDE

1. Microwave cannot penetrate metal. Only use utensils that are suitable for use in microwave ovens. Metallic containers for food and beverages are not allowed during microwave cooking. This requirement is not applicable if the manufacturer specifies size and shape of metallic containers suitable for microwave cooking.
2. Microwave cannot penetrate metal, so metal utensils or dishes with metallic trim should not be used.
3. Do not use recycled paper products when microwave cooking, as they may contain small metal fragments which may cause sparks and/or fires.
4. Round/oval dishes rather than square/oblong ones are recommended, as food in corners tends to overcook.
5. Narrow strips of aluminum foil may be used to prevent overcooking of exposed areas. But be careful don't use too much and keep a distance of 1 inch (2.54cm) between foil and cavity.

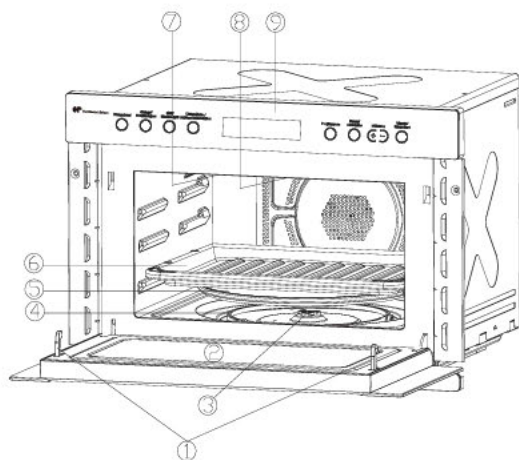
The list below is a general guide to help you select the correct utensils.

Cookware	Microwave	Grill	Convection	Combination*
Heat-Resistant Glass	Yes	Yes	Yes	Yes
Non Heat-Resistant Glass	No	No	No	No
Heat-Resistant Ceramics	Yes	Yes	Yes	Yes
Microwave-Safe Plastic Dish	Yes	No	No	No
Kitchen Paper	Yes	No	No	No
Metal Tray	No	Yes	Yes	No
Metal Rack	No	Yes	Yes	No

Aluminum Foil & Foil Container	No	Yes	Yes	No
--------------------------------	----	-----	-----	----

* Combination: applicable for both "microwave + grill", and "microwave + convection" cooking.

PART NAMES



1. Door Safety Lock System
2. Oven Window
3. Shaft
4. Roller Ring
5. Glass Tray
6. Baking Plate
7. Wave Guide (Please do not remove the mica plate covering the wave guide)
8. Grill Heater
9. Control Panel

CONTROL PANEL



DISPLAY SCREEN

Cooking time, power, indicators and present time are displayed.

POWER LEVEL (PUISSANCE)

Press to select microwave cooking power level.

CLOCK/WEIGHT ADJUST (HORLOGE/POIDS)

Touch this button to set the oven clock or select food weight.

GRILL/MICRO.+GRILL(GRILL/M.ONDES+GRILL)

Press this button to set a grill-cooking program.

Press to select one of two combination cooking settings of microwave and grill.

CONVECTION/MICRO.+CONVECTION (CHALEUR TOUR/M.ONDES+CHALEUR TOUR)

Press to program convection cooking.

Press to select one of four combination cooking settings.

MENU (PROGRAMMES)

Press to select an auto-cooking menu.

PAUSE/CANCEL (PAUSE/ANNULATION)

Press to cancel setting or reset the oven before setting a cooking program.

Press once to temporarily stop cooking, or twice to cancel cooking altogether.

TIME+/- (MINUTERIE +/-)

Rotate to select auto cook menus or enter time and food weight.

START/QUICK START (MARCHE/EXPRESS+)

Press to start cooking program or set quick start cooking program.

HOW TO SET THE OVEN CONTROLS

- When the oven is first plugged in, the oven will sound "DE" and the system will enter into self-check mode, all indicators in display screen will flicker, just press PAUSE/CANCEL or waiting for 25 seconds without any operation, system automatically recover standby mode.
- In standby mode, press and hold "Time +" button more than 3 seconds, the system will enter the self-inspection process.
- If the cook process setting is interrupted for 25 seconds, the system automatically returns to standby state.
- During cooking, if press PAUSE/CANCEL pad once or open the door, the program will be paused, then press START/QUICK START pad to resume, but if press PAUSE/CANCEL pad twice, the program will be canceled.
- Every cooking process is completed, display "End", beep sound. Since every two minutes, the system sends a warning tone until you press the "PAUSE/CANCEL" button or open the oven door. System restores standby state.
- In standby state, End state, sensor protection condition 2 minutes without any operating backlit screen dimmed until press any pad or open the oven door
- This system of the microwave oven has the feature of cooling. As for any cooking mode which cooking time above 2 minutes, after finishing cooking, the oven fan will work about 3 minutes automatically to cool the oven for prolonging the life of the oven.

SETTING THE CLOCK

The clock works in 12- or 24-hour cycle.

FOR EXAMPLE: Suppose you want to set the oven clock time to 8:30.

1. In standby, press CLOCK/WEIGHT ADJUST once, "Hr: 12" will display, the oven in 12

- hour cycle. Press CLOCK/WEIGHT ADJUST again, the oven is in 24-hour cycle.
2. Press TIME+ or TIME- to set 8 o'clock.
 3. Press CLOCK/WEIGHT ADJUST button.
 4. Press TIME+ or TIME- to set 30 minutes.
 5. Press CLOCK/WEIGHT ADJUST to confirm the setting.

NOTE: You can check the current time of the clock during cooking by pressing CLOCK/WEIGHT ADJUST.

QUICK START

Use this feature to program the oven to microwave food at 100% power conveniently. In standby mode, Press START/QUICK START in quick succession to set the cooking time, the oven will auto-start immediately. The maximum cooking time can be set is 10 minutes.

MICROWAVE COOKING

Microwave cooking allows you to customize cooking power and time. Press POWER LEVEL button enter cooking power level. Then press TIME + or - to enter cooking time. The longest cooking time is 95 minutes. The oven will start cooking after user press START/QUICK START pad.

Press POWER LEVEL button to select different cooking power		
Press	Power level	Display
Once	100%	P100
Twice	80%	P-80
3 times	60%	P-60
4 times	40%	P-40
5 times	20%	P-20
6 times	0%	P-00

Suppose you want to cook for 5 minute at 60% power level.

1. Press POWER LEVEL button a number of times until showing P-60.
2. Press TIME+ or TIME – pad until the correct cooking time is displayed.
3. Press START/QUICK START to start.

NOTE: During cooking you can check the power level by touching POWER LEVEL pad.

GRILL

The longest cooking time is 95 minutes. The grill cooking is particularly useful for thin slices of meat, steaks, chops, kebabs, sausages of piece of chicken. It is also suitable for hot sandwiches and au gratin dishes.

For example, suppose you want to grill for 12 minutes.

1. In standby mode, press GRILL/MICRO+GRILL button once.
2. Use TIME+ or TIME- to enter cooking time.
3. Press START/QUICK START button.

MICRO.+GRILL

The longest cooking time is 95 minutes.

This feature allows you to combine grill and microwave cooking on two different settings.

COMBINATION 1

30% of whole time for microwave cooking, 70% for grill cooking. Use for cooking fish or au gratin.

Use for fish or au gratin.

FOR EXAMPLE: Suppose you want to set combination 1 cooking for 25 minutes.

1. Press GRILL/MICRO+GRILL button twice.
2. Use TIME + or TIME - to enter cooking time.
3. Press START/QUICK START button.

COMBINATION 2

55% of whole time for microwave cooking, 45% for grill cooking. Use for cooking pudding, omelets, baked potatoes and poultry.

FOR EXAMPLE: Suppose you want to set combination 2 cooking for 12 minutes.

1. Press GRILL/MICRO+GRILL button 3 times.
2. Use TIME + or TIME - to enter cooking time.
3. Press START/QUICK START button.

NOTE: During cooking you can check the current power by touching GRILL/MICRO+GRILL pad.

CONVECTION

The longest cooking time is 95 minutes.

During convection cooking, hot air is circulated throughout the oven cavity to brown and crisp foods quickly and evenly. This oven can be programmed for ten different cooking temperatures (200~110°C).

To Cook with Convection

Press CONVECTION/MICRO.+CONVECTION button to set convection temperature.

Suppose you want to cook at 160°C for 40 minutes.

1. Press CONVECTION/MICRO+CONVECTION button a number of times to select temperature.
2. Use TIME+ or TIME- to enter cooking time.
3. Press START/QUICK START button.

NOTE: You can check the convection temperature while cooking is in progress by pressing the CONVECTION/MICRO+CONVECTION button.

To Preheat and Cook with Convection

Your oven can be programmed to combine preheating and convection cooking operations.

Suppose you want to preheat to 150°C and then cook 30 minutes.

1. Press CONVECTION/MICRO+CONVECTION button a number of times to select temperature.
2. Press START/QUICK START button. When the oven reaches the programmed temperature, beep will sound.
3. Open the door and place container of food at the center of the turntable.
4. Use TIME + or TIME - to enter cooking time.
5. Press START/QUICK START button.

NOTE: After the preheat time elapsed, the system will sound DE every 5 seconds. If there is no any

operation within 30 minutes, the system will display End. The longest preheat time is 30 minutes and the time cannot be set.

MICRO + CONVECTION

The longest cooking time is 95 minutes.

This oven has three pre-programmed settings that make it easy to cook with both convection heat and microwave automatically.

Press CONVECTION/MICRO+CONVECTION button to select convection temperature(170°C, 140°C, 110°C)

Suppose you want to bake food for 26 minutes with 170°C.

1. Hold down the CONVECTION/MICRO+CONVECTION button for 3 seconds.
2. Press the CONVECTION/MICRO+CONVECTION button to select temperature.
3. Use TIME+ or TIME- to enter cooking time.
4. Press START/QUICK START to start.

NOTE: You can check the combination cooking power while cooking is in progress by pressing the CONVECTION/MICRO+CONVECTION button.

MULTI-STAGE COOKING

Your oven can be programmed for up to 3 automatic cooking sequences. Some recipes may require to set multi-stage cooking program involving defrost cooking.

Suppose you want to set the following cooking program.

Microwave cooking



Grill cooking



Convection cooking (without preheat function)

1. Enter a stage of microwave cooking program without pressing START/QUICK START.
2. Enter a stage of grill cooking program without pressing START/QUICK START.
3. Enter a stage of Convection cooking program (without preheat function).
4. Press START/QUICK START button to start the whole program.

NOTE: Quick start, Convection cooking with preheat, Auto cook and Auto defrost cannot be set in multi-stage cooking.

AUTO DEFROST

The oven could be used to defrost food on the weight you entered. The defrosting time and power level are automatically set once the weight is programmed. The weight varies between 100g and 1800g.

FOR EXAMPLE: Suppose you want to defrost 600g of shrimp.

1. Place the shrimp to be defrosted into the oven.
2. Press MENU pad 9 times to select Auto Defrost.
3. Press CLOCK/WEIGHT ADJUST repeatedly to select food weight.
4. Press START/QUICK START button.

NOTE: During defrosting process, the system will pause to remind user to turn food over, after that, press START/QUICK START to resume the defrosting.

CHILD PROOF LOCK

The child proof lock prevents unsupervised operation by little children.

To set the child proof lock: In standby mode, press and hold PAUSE/CANCEL for 3 seconds. A beep will sound and the indicator light will come on. In the lock state, all buttons are disabled.

To cancel the child proof lock: Press and hold PAUSE/CANCEL for 3 seconds, beep will sound and the indicator light will come off.

AUTOMATIC PROTECTION MECHANISM

1. When the system enters into super high temperature protection status, the digital display shows "E-1" and continues to beep till the system comes back to normal condition and then press PAUSE/CANCEL pad.
2. When the system enters into low temperature protection status, the digital display shows "E-2" and continues to beep till the system comes back to normal condition and then press PAUSE/CANCEL pad.
3. The system enters into protection mode when the system sensor is Short Circuited. The display shows "E-3" and continues to beep until troubleshooting, press PAUSE/CANCEL pad to enter standby mode. Call consumer service to check and replace the faulty sensor.

AUTO COOK MENU

For food or the following cooking mode, it is not necessary to program the time and the cooking power. It is sufficient to indicate the type of food that you want to cook as well as the weight of this food.

1. In standby mode, press MENU repeatedly to select food code to specify the food to be cooked.
2. Press CLOCK/WEIGHT ADJUST to select food weight.
3. Press START/QUICK START.

Auto cook menu:

Code	Menus category	Notes
A-1	Potato(230g/each)	1. For potato and milk/coffee, the screen will show the number of serving but not weight of food.
A-2	Milk/Coffee (200ml/cup)	2. For food 7 (chicken), oven will stop during cooking to let you to turn food over and then close the door, press the START/QUICK START to resume cooking.
A-3	Popcorn(99g)	3. For popcorn and cake, there is only one weight to choose.
A-4	Auto Reheat (g)	4. For whole potato, you may need to use microwave keep-fresh PE bag when cooking.
A-5	Spaghetti (g)	5. For auto reheat or spaghetti, you need to use microwave utensils or microwave cling film when cooking.
A-6	Pizza (g)	6. The result of auto cooking depends on factors such as voltage fluctuation, the shape and size of food, your personal preference as to the doneness of certain foods and even how well you happen to place food in the oven. If you find the result at any rate not quite satisfactory, please adjust the cooking time a little bit accordingly.
A-7	Chicken(g)	
A-8	Cake(475g)	

Environmentally friendly waste



Electrical and electronic equipment is subject to selective collection.

Do not dispose of waste electrical and electronic equipment with unsorted municipal refuse, but proceed to Their selective collection.

IMPORTER

A.M.C.

123 quai Jules Guesde

94400 VITRY SUR SEINE

FRANCE

LOT #: AMC092020



Continental Edison

www.continentaledison.fr

