

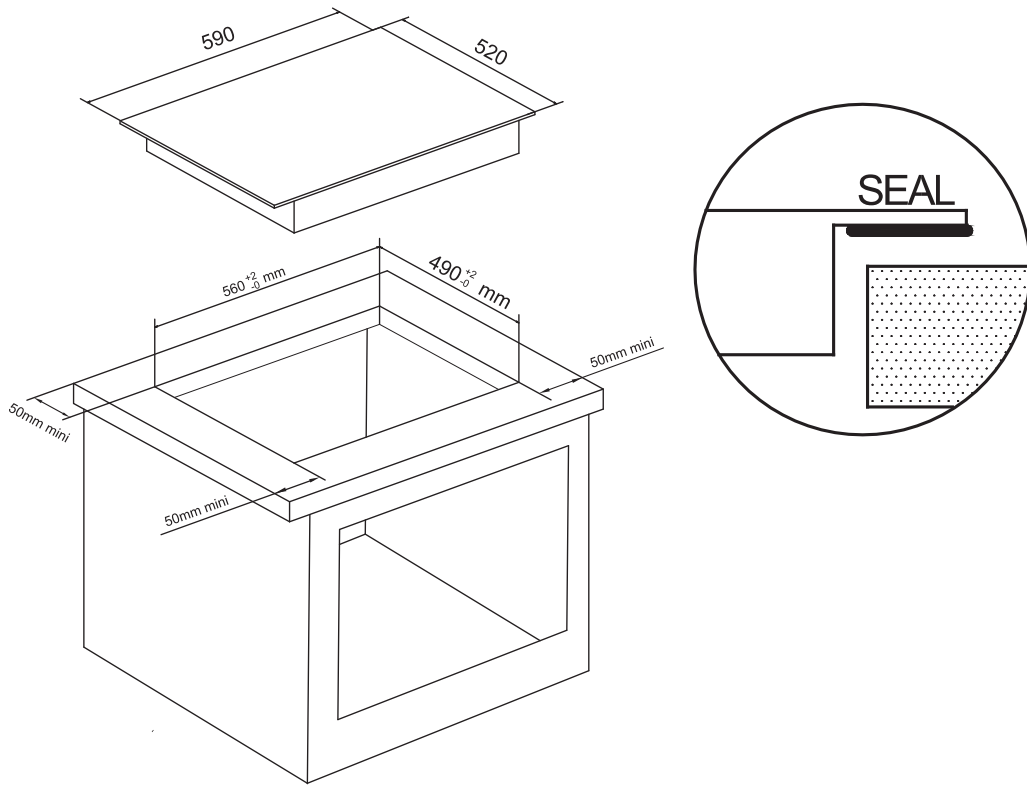
Model :

IF7016B1-A

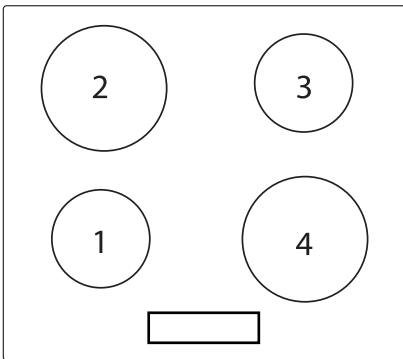
Service Manual

Induction hob

Technical data



Model : IF7016B1-A



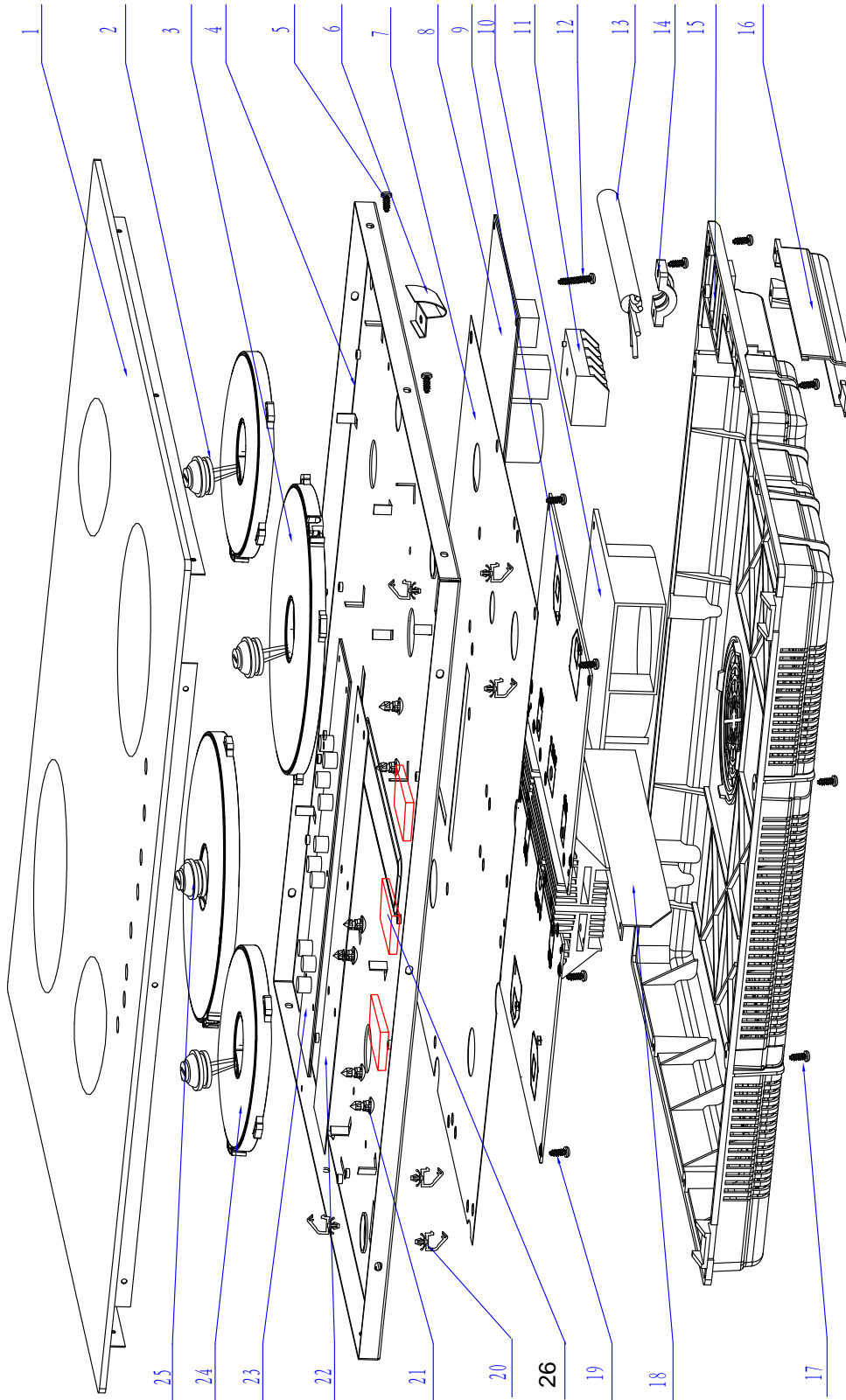
Heating zone	Size (mm)	Normal
1	∅ 140	1500 W
2	∅ 180	2000 W
3	∅ 140	1500 W
4	∅ 180	2000 W

Voltage : 220-240V~

Frequency : 50/60Hz

Exploded view

Model : IF7016B1-A



CODE	Q.TA	DESCR.	IMMAGINE
8023080034	2	180x40mm	
8023080041	2	180x150mm	
8023080035	2	180	
8023080037	1	180	
8023080038	1	180x80	

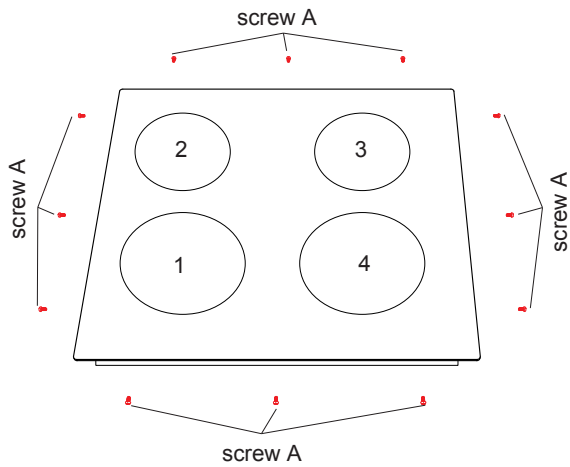
Spare part list

Model : IF7016B1-A

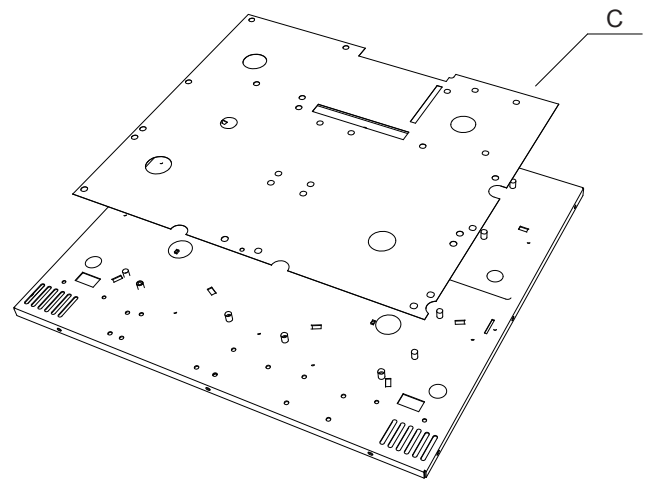
No.	Parts code	Parts names	QTY	Series No.
1		glass assembly	1	
2	541600200011	the ceramic plate temperature sensor	3	
3	542200000009	180 Coil groupware	2	
4	541400300013	radiator board	1	
5	301500101374	Screw	12	
6	541410500003	Bracket	1	
7	541700300014	isinglass flake B	1	
8	541500200005	accessorial power	1	
9	303203101364	Power board	2	
10	303208003019	Fan	1	
11	541810000001	junction port holder	1	
12	301500101200	Screw+gasket	1	
13	541800000017	Power Cord	1	
14	303207300213	fixed board	1	
15	541300100005	Base	1	
16	541300600009	power cord case cover	1	
17	301500100954	screw	14	
18	303207300215	windshield insulating flake	1	
19	301500101194	Screw	12	
20	303207300212	line clamp	5	
21	303207300211	knighthead	6	
22	541700300020	isinglass flake A	3	
23	303203101433	Display board	1	
24	542200000013	160 Coil groupware	2	
25	541600200010	the ceramic plate temperature sensor	1	
26	541700700002	Supporting Foam	3	

Technical data

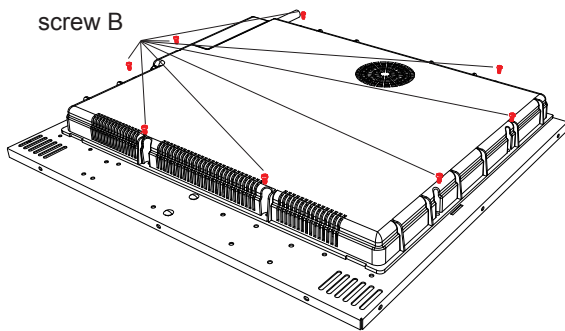
Model : IF7016B1-A



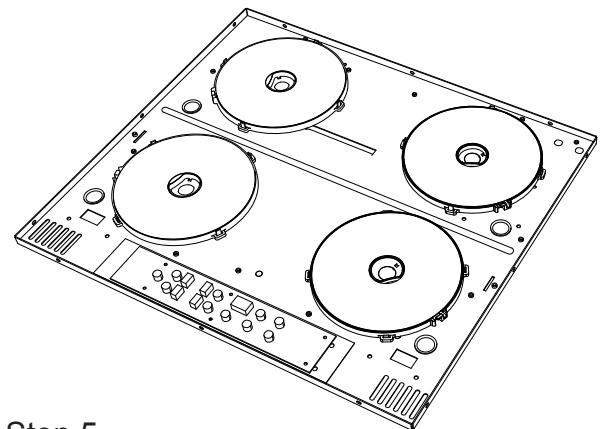
Step1:
remove the screw A around the base cover



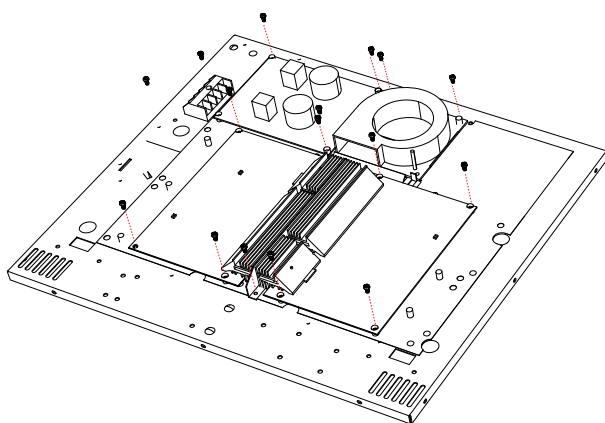
Step 4:
Remove C



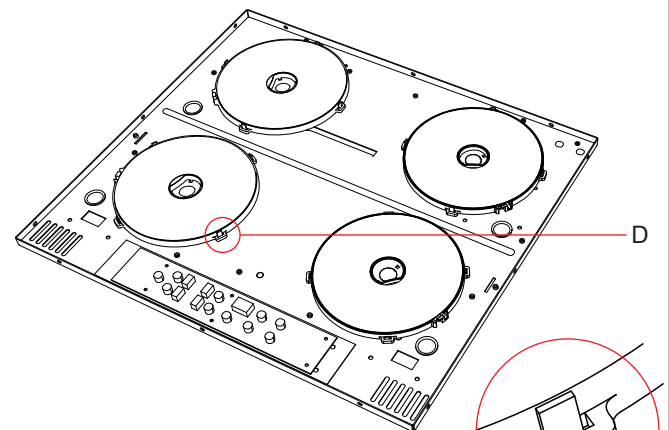
Step2:
remove the screw B



Step 5:
reserve the product



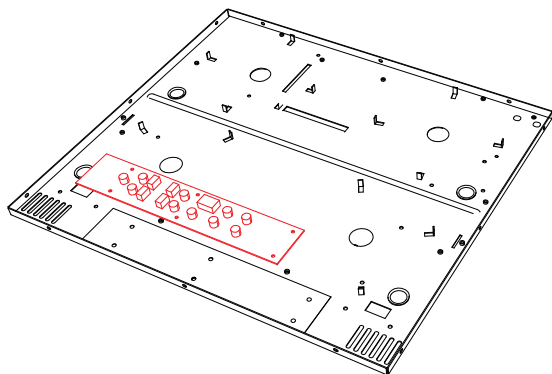
Step 3:
remove all the screws and wires



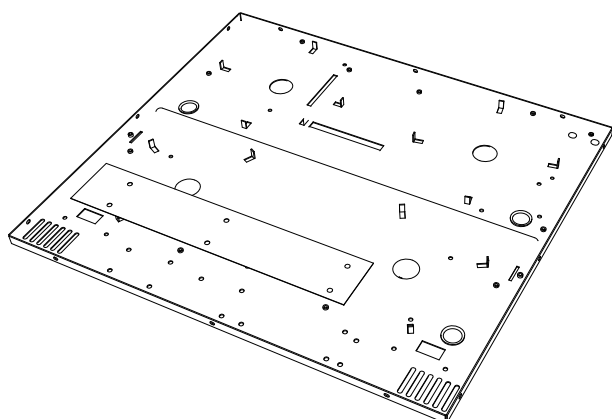
Step.6
to remove the induction coil, straighten
the buckle of D

Technical data

Model : IF7016B1-A



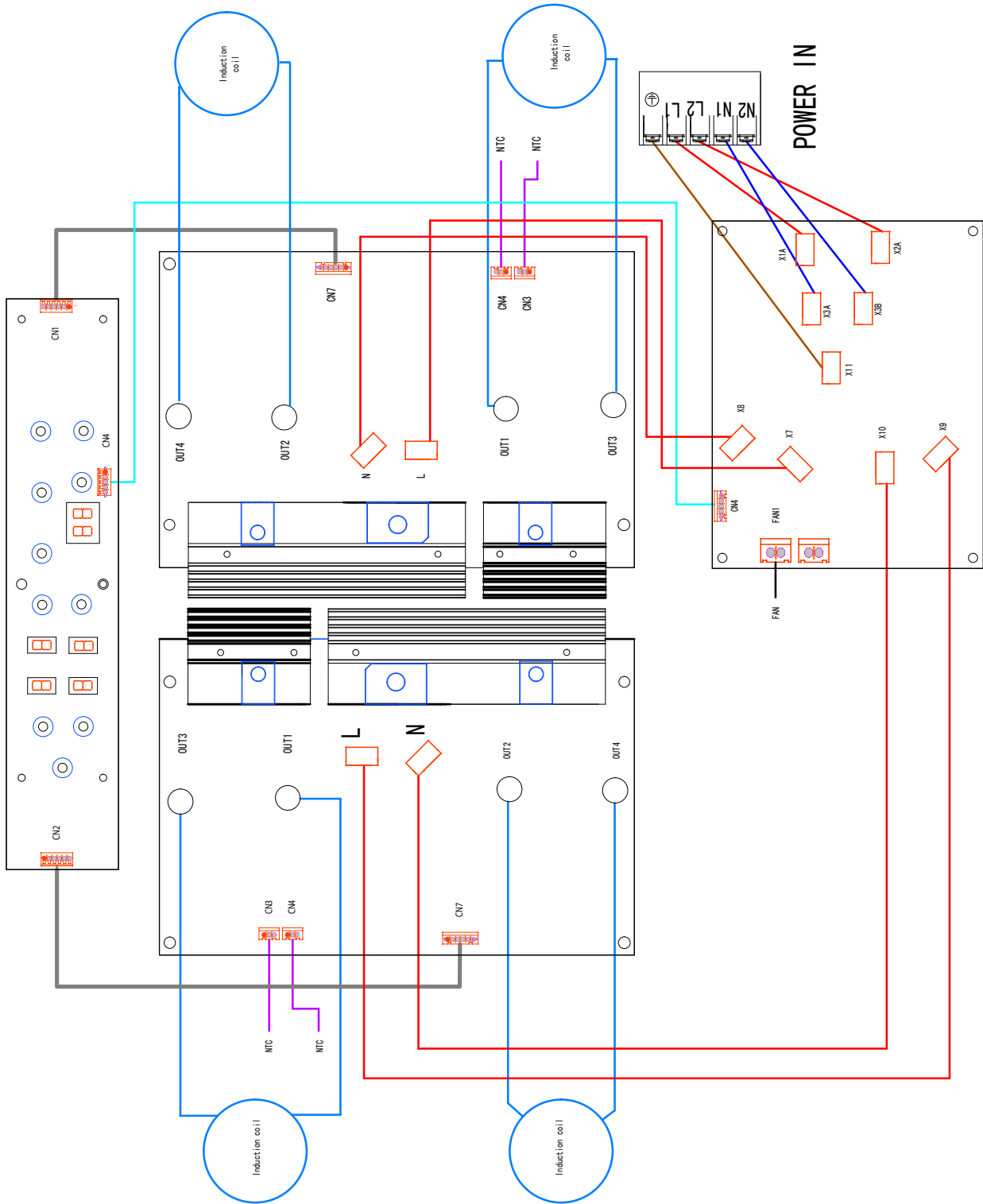
Step 7:
remove the display board



Step 8:
done

Technical data

Model : IF7016B1-A



The induction hob is equipped with a self diagnostic function. With this test the technician is able to check the function of several components without disassembling or dismantling the hob from the working surface.

Troubleshooting

- 1) failure code occur during customer using.
- 2) Solution a is as following.
- 3) If the problem can't be settled by solution a, solution b can be used.

Failure code	Problem	Solution
E1/E2	Voltage irregularity.	Unit should operate normally after a few minutes and code will disappear from display.
E3/E4	High temperature of ceramic plate	Wait for temperature to return to normal. Push "ON/OFF" button to restart unit.
E5/E6	High temperature of hob	Wait for temperature to return to normal. Push "ON/OFF" button to restart unit.
		Check if the fan runs smoothly.Fan should be replaced by a new one if not work anymore.
F3/F4/F5/F6/F7/F8	Ceramic plate temperature sensor failure.	Check the connection or replace the ceramic plate temperature sensor.
F9/FA/FB/FC/FD/FE	IGBT temperature sensor failure.	Replace the power board.

Failure	Problem	Solution A	Solution B
The LED does not come on when unit is plugged in.	No power supplied.	Check to see if plug is secured tightly in outlet and that outlet is working.	
	The accessorial power board and the display board connected failure	Check the connection.	
	The accessorial power board is damaged.	Replace the accessorial power board	
	The display board is damaged.	Replace the display board.	
Some buttons can't work, or the LED display is not normal.	The display board is damaged.	Replace the display board.	
The Cooking Mode Indicator comes on, but heating does not start.	High temperature of the hob.	Ambient temperature may be too high.Air Intake or Air Vent may be blocked.	
	There is something wrong of the fan.	Check if the fan runs smoothly.Fan should be replaced by a new one if not work anymore.	
	The power board is damaged.	Replace the power board.	

Failure	Problem	Solution A	Solution B
Heating stops suddenly during operation and display “ <u>u</u> ”.	Pan Type is wrong.	Use the proper pot (refer to the instruction manual.)	Pan detection circuit is damaged, replace the power board.
	Pot diameter is too small		
	Cooker has overheated;	Unit is overheated.Wait	
		for temperature to return to normal. Push “ON/OFF” button to restart unit.	
Heating zones of the same side (Such as the first and the second zone) would display “ <u>u</u> ” .	The power board and the display board connected failure;	Check the connection.	
	The display board of communicate part is damaged.	Replace the display board.	
	The power board is damaged.	Replace the power board.	
Fan motor sounds abnormal.	The fan motor is damaged.	Replace the fan.	