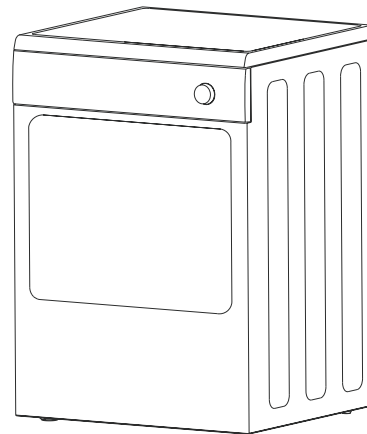


Galanz

Tumble Dryer OWNER'S MANUAL



Applicable Models

DV-60Q5C
DV-60Q5K

Thank you for choosing our dryers.
Please read this OWNER'S MANUAL carefully prior to using,
and keep it for further reference.

PREFACE

Thank you for choosing our dryers. Please read this manual carefully. It provides instruction, use, and maintenance. Retain it for future reference. Record the model and serial numbers of your machine. Quote this information to your dealer if you require service.

The following symbols are used in this manual:

 Important information concerning your personal safety and information on how to avoid damaging the appliance

 General information and tips

 Environmental information

Contents

Safety information.....	1
Product description.....	4
Control panel.....	5
Use.....	6
Drying hints.....	10
Drying programme.....	12
Care and cleaning.....	13
Something not working.....	14
Technical data.....	15
Installation.....	16
Environment concerns.....	19
Guarantee/Customer Service.....	20
Electric diagram.....	21

Safety Information

Before Use

⚠ WARNING

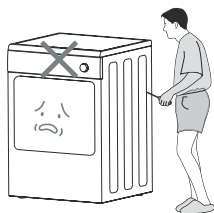
Read and understand thoroughly this safety instructions before use. The items indicated here are very important safety precautions, which must be followed. Any failure and losses caused by ignoring the above mentioned items and cautions mentioned in the operation and installation instruction are not covered by our warranty and any liability.

The appliance can be used by children aged from 8 years and above persons with reduced physical, sensory or mental capabilities or lack of experience and knowledge if they have been given supervision or instruction concerning use of the appliance in a safe way and understand the hazards involved. Children shall not play with the appliance. Cleaning and user maintenance shall not be made by children without supervision.



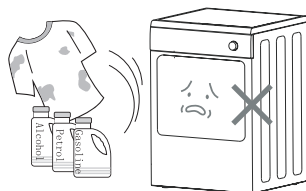
⚠ Possible electric shocks

- Disassembly, reparation or modification cannot be carried out by people other than professional maintenance staffs.
- The household electrical supply system (the current, the voltage, the cable) such as a fuse with suitable specifications should be provided. Should meet requirements of the dryer under normal load, and safety devices.
- The power plug must be connected to a three-core socket with an earth wire and is grounded properly and reliably.
- If the supply cord is damaged, it must be replaced by the manufacturer, its service agent or similarly qualified persons in order to avoid a hazard.
- Do not disconnect the power plug by pulling the supply cord. Hold the power plug with your hand.
- Do not use the supply cord when connection of the power plug and the supply cord is loose.
- Do not touch the power plug with wet hands. Wipe dust or water drops over the power plug off with dry cloth.
- Do not over-bend the supply cord or put it under heavy weight.
- Do not use the supply cord / socket / power plug if it is damaged or broken.



⚠ Possible Explosions

- Do not put combustible liquid such as gasoline, petrol and alcohol into the appliance or nearby. Don't put clothes with that liquid into the appliance.
- Do not connect / disconnect the power plug when leakage of gas or other combustible gas occurs.

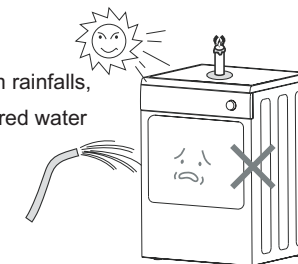


Safety Information

Before Use

⚠ Fire accidents / short circuit or electric leakage may occur

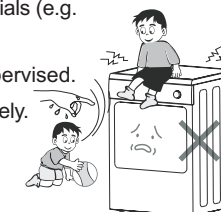
- Do not install the appliance close to fire sources or heat sources.
- Do not rest any burning candles or cigarettes on the appliance.
- Do not install the appliance in places with dampness or suffer from rainfalls, lest igniting damages or other accidents occur easily due to gathered water drops on electrical components.
- Do not install the dryer in places under direct sunshine, lest the plastic components and rubber components become aged.
- Do not use water shooting at the appliance when cleaning it.
- In order to avoid danger of fires caused by excessive drying, do not use the appliance to dry the following items: Cushions, quilts and the like (these items accumulate heat).
- If you have washed your laundry with stain remover, you must execute an extra rinse cycle before loading your tumble dryer.
- Please make sure that no gas lighters or matches have accidentally been left in pockets of garments to be loaded into appliance.
- Items that have been soiled with substances such as cooking oil, acetone, alcohol, petrol, kerosene, spot removers, turpentine, waxes and wax removers should be washed in hot water with an extra amount of detergent before being dried in the tumble dryer.
- A carpet must not obstruct the openings in the base.
- Exhaust air must not be discharged into a flue which is used for exhausting fumes from appliances burning gas or other fuels.



⚠ Warning | **Never stop a tumble dry before the end of the drying cycle unless all items are quickly removed and spread out so that the heat is dissipated.**

⚠ Personal injury may occur

- This appliance is not intended for use by persons (including children) with reduced physical, sensory or mental capabilities, or lack of experience and knowledge, unless they have been given supervision or instruction concerning use of the appliance by a person responsible for their safety.
- The package materials may be dangerous to children. Put all package materials (e.g. the plastic bag) to places unreachable to children.
- Children of less than 3 years should be kept away unless continuously supervised.
- Do not touch laundries in the drying drum till the dryer stops working completely.
- Do not keep children or pets nearby when the dryer is working, for they may be trapped into the dryer. Please check carefully the drum before closing the door.



Safety Information

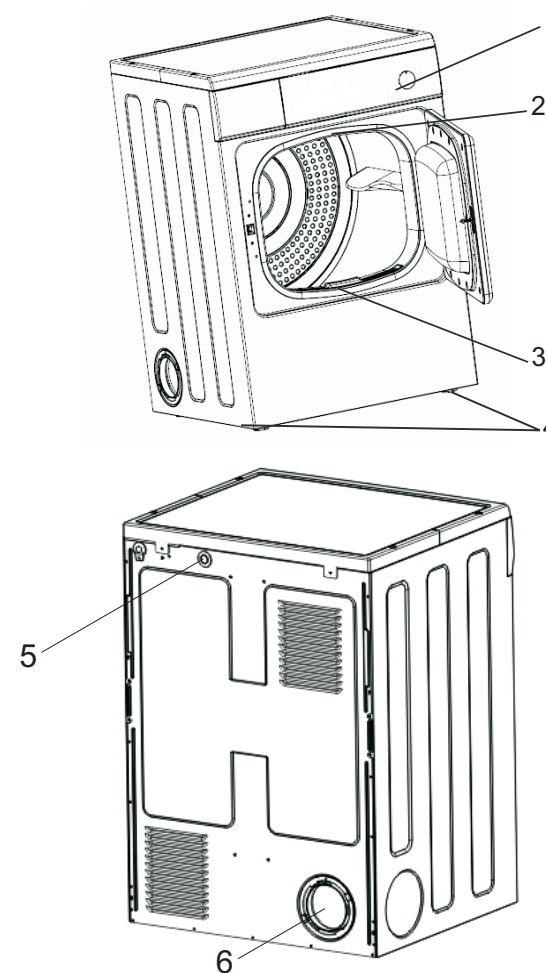
Before Use

⚠ Other instructions

- This appliance is designed for domestic use. It must not be used for purposes other than those for which it was designed.
- Only wash fabrics which are designed to be machine dried. Follow the instructions on each garment label
- Any electrical work required to install this appliance should be carried out by a qualified electrician or competent person.
- If the machine is situated on a carpeted floor, please adjust the feet in order to allow air to circulate freely under the appliance.
- Do not climb onto the dryer or rest heavy objects/heating devices or items with water or liquid leakage on the dryer, lest deformation of the face panel and the plastic component occur.
- Any objects such as coins, safety pins, nails, screws, stones or any other hard, sharp material can cause extensive damage and must not be placed into the machine.
- After having installed the appliance, check that it is not pressing or standing on its electrical supply cable, or vent hose.
- Items such as foam rubber (latex foam), shower caps, waterproof textiles, rubber backed articles and clothes or pillows fitted with foam rubber pads should not be dried in the tumble dryer.
- Always unplug the appliance after use, clean and maintenance.
- Do not overload the appliance. See the relevant section in the user manual.
- Clothes which are dripping wet should not be placed in the dryer.
- Garments which have been in contact with volatile petroleum products should not be machine dried. If volatile cleaning fluids are used, care should be taken to ensure that the fluid is removed from the garment before placing in the machine.
- Never use the tumble dryer if the power supply cable, the control panel, the working surface or the base are damaged so that the inside of the tumble dryer is accessible.
- The tumble dryer is not to be used if industrial chemicals have been used for cleaning.
- The lint must not be allowed to accumulate around the tumble dryer.
- Do not dry unwashed items in the tumble dryer.
- Fabric softeners or similar products should be used as specified by the fabric softener instructions.
- The final part of a tumble dryer cycle occurs without heat (cool down cycle) to ensure that the items are left at a temperature that ensures that the items will not be damaged.
- That exhaust air must not be discharged into a flue which is used for exhausting fumes from appliances burning gas or other fuels.
- That the appliance must not be installed behind a lockable door, a sliding door or a door with a hinge on the opposite side to that of the tumble dryer, in such a way that a full opening of the tumble dryer door is restricted.
- That adequate ventilation has to be provided to avoid the back flow of gases into the room from appliances burning other fuels, including open fires.
- The exhaust air must not be discharged into a flue which is used for exhausting fumes from appliances burning gas or other fuels.

Product description

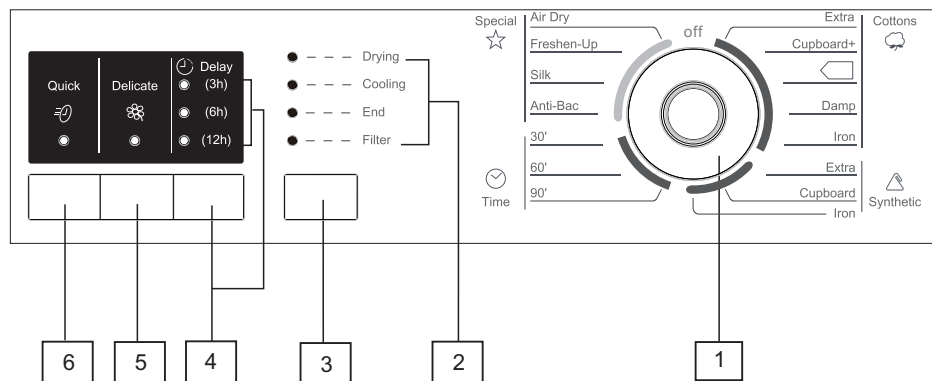
Before Use



1. Control Panel 2. Drum Light 3. Filter 4. Adjustable Feet
5. Thermostat reset button 6. Vent Outlet

Control panel

Use Process



- | | |
|------------------------------|----------------------------|
| 1. Programme selector Dial | 3. Start/Pause |
| 2. Sequence indicator Lights | 4. Delay Button and Lights |
| Drying | 5. Delicate |
| Cooling | 6. Quick |
| End | |
| Filter | |

Use

Use Process

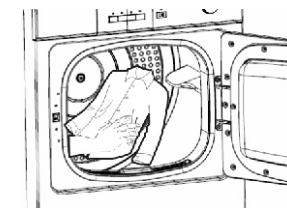
i First Use

- Ensure that the electrical connections comply with the installation instructions.
- Remove the polystyrene block and any material from the drum.
- Before using your tumble dryer for the first time, we recommend that you place a few damp cloths inside the appliance and dry for 30 minutes. There may be dust inside a brand new tumble dryer.

i Daily Use

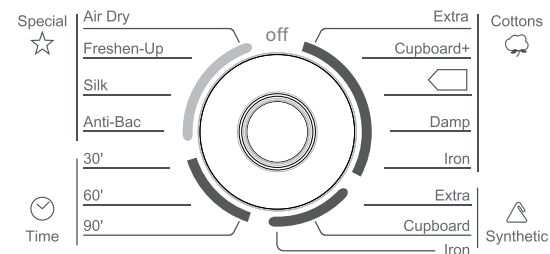
Connect the appliance

- Open the door.
- Place the laundry in the drum, one item at a time, shaking them out as much as possible.
- Close the door. Please check the laundry does not get caught between the door and filter.



Select the required programme

- Turn the programme selector dial to the required programme. The corresponding light starts to flash. The programme will be switched off if you have not pressed any button for 10 minutes.



The selector dial is divided into following sections:

- Cottons
- Synthetics
- Time
- Special

Note:

“☁️” is for the “standard cotton programme”. The programme is suitable to dry normal wet cotton laundry and it is the most efficient programme in terms of energy consumption for drying wet cotton laundry.

Automatic controlled drying

- The appliance detects the moisture in the load automatically adjust the drying time for optimal drying. Just select the programme according to fabrics. This drying system holds good for cottons, synthetics sections and Anti-Bac, silk programme.

Time controlled drying

- Can be used to finish off drying if necessary. Select the 90 or 60 minute programme for cottons or the 30 minute programme for synthetics. To cancel a programme which is running, turn the programme selector dial to "off". At the end of drying, turn the selector dial to "off" to switch the machine off before removing the laundry.

Programme Option buttons

- Depending on the programme, different functions can be combined. These must be selected after choosing the desired programme and before depressing the Start/Pause button. When these buttons are pressed, the corresponding pilot lights come on. When they are pressed again, the pilot lights go out.

Incorrect Option Selection

If you select an option that is not compatible with the programme you have selected, the option will not be selected.


Select Delay start

This button allows you to delay the starting of the programme by 12 hours max. This option must be selected after having selected the programme and before pressing Start/Pause to start the programme. The program is for 3, 6 or 12 hours.



It can be selected in both cases before and after selecting option programme (Quick, Delicate). The countdown begins after you have pressed the Start/Pause button and the corresponding light illuminates. Press the button repeatedly to choose the programme 3, 6 or 12 hours. If you have selected a delay time by means of the relevant button, the light shows it. The countdown is calculated automatically once you press the "Start/Pause" button, the appliance will start the delayed process.

Select Quick

The option can be selected in the following programme: "Extra", "Cupboard+", "". By depressing this button the drying time will be reduced by 3-5 minutes. The corresponding light illuminates. This option cannot be selected together with "Delicate" option.

Select Delicate

The option can be selected in the following sections: "Cottons", "Synthetics". Pressing this button allows drying to be performed at a lower temperature, for delicate items. The corresponding pilot light comes on. This function cannot be used with "Quick" and program "30min", "60min" and "90min" and the "Special" program.

Select the Start/Pause

Press this button to start the dryer after having selected the programme and the options. If the door of the appliance is opened while the programme is running, this button must be pressed again after closing the door in order to restart the programme from the point at which it was interrupted. In this case the lights flash to remind you that the start button needs to be pressed again.

Indicator lights

These lights indicate the following functions:

- "Drying" light
This light indicates that the appliance is in the drying phase.
- "Cooling" light
This light indicates that the appliance is in the cooling phase. At the end of drying, there is a 5 or 10 minutes cooling phase to cool the laundry.
- "End of programme" light
This light is on at the end of the cooling phase, during the anti-creasing phase.
- "Filter" light
It comes on every cycle to remind you that the filter must be cleaned and at the end of the programme.

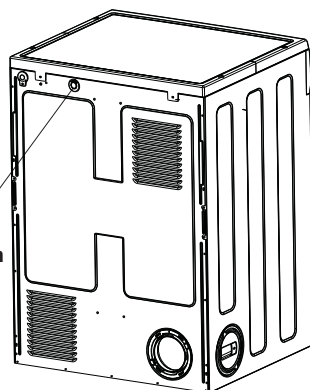
Use

Use Process

Thermostat reset

If during operation, the heating element doesn't work, maybe the manual thermostat disconnect, first turn the programme selector dial to position "Air Dry" and press the start button, approximately 20 minutes later, press the thermostat reset button.

thermostat reset button



At the end of the programme

All drying programmes end with a 5 or 10 minutes cooling phase. If the laundry is not removed at the end of the cycle, the dryer performs an anti-creasing phase (duration: 30 minutes maximum). If you do not remove the laundry, the dryer will stop automatically at the end of the anti-creasing phase. The display light "Filter" shows. Turn the program selector dial to "off", all lights go out.

After each use

Clean the filter.

Important!

If the drying programme has to be stopped before it reaches the end, we recommend that you turn the programme selector dial to position "Air Dry" and wait until the end of this cooling phase before removing the laundry. This will avoid a build-up of heat inside the appliance. To do this first turn the dial to "off" and then to "Air dry" and depress the "Start" button.

Modifying the programme

To change a programme which is running, first cancel it by turning the programme selector dial to "off". Select the new programme and press the Start button.

Drying hints

Use Process

i Drying Hints

Before loading the laundry

Never tumble dry the following: Particularly delicate items such as net curtains, woollen, silk, fabrics with metal trim, nylon tights, bulky materials such as anoraks, blankets, eiderdowns, sleeping bags, feather quilts and any items containing rubber foam or materials similar to rubber foam.

- Always follow the instructions on garment labels:



may be tumble dried



normal drying (high temperature)



delicate drying (low temperature)



do not tumble dry

- Close pillowcases and covers with fasteners to prevent small laundry items getting tangled inside them. Close press studs, zips and hooks and tie belts and apron strings. Sort laundry according to type and degree of drying required.
- Do not over-dry laundry, this avoids creasing and saves energy.
- Avoid drying dark clothes with light coloured fluffy items such as towels as they could attract the fluff.
- The laundry must be thoroughly spun before tumble drying.
- Close pillowcases and covers with fasteners to prevent small laundry items getting tangled inside them. Close press studs, zips and hooks and tie belts and apron strings. Sort laundry according to type and degree of drying required.
- Easy-care items, too, e.g. shirts, should be briefly pre-spun before drying.
Knitted textiles (knitted underwear) may shrink a little during drying. Please do not over-dry items of this type. It is advisable to allow for shrinkage when choosing the size of new purchases.
- You can also put starched items into your dryer. However, to achieve the desired starched effect, choose the programme "Iron dry". To remove any starch residues, wipe out the internal drum after drying with a moist cloth and then rub it dry.
- To avoid a static charge when drying is completed, use either a fabric softener when you are washing the laundry or a fabric conditioner specifically for tumble dryers.

Drying Hints

Use Process

Make sure that no metal objects are left in the laundry (e.g. hair clips, safety pins, pins)

Button up pillowcases, close zip fasteners, hooks and poppers. Tie any belts or long tapes.

To avoid laundry becoming tangled:

Close zips, button up duvet covers and tie loose ties or ribbons (e.g. of aprons).

Turn items with double-layered fabrics inside out (e.g. with cotton-lined anoraks, the cotton layer should be outermost). These fabrics will then dry better.

Remove all objects from pockets such as lighters and matches.

Maximum loads

Recommended loads are indicated in the programme charts:

General rules:

- **Cotton, linen:** drum full but not too tightly packed;
- **Synthetics:** drum no more than half full;
- **Delicate fabrics and woollens:** drum no more than quarter full.

Try to load to the maximum capacity of the machine as small loads are uneconomical

Laundry weights


The following weights are indicative:

Bathrobe	1200g	night dress	200g
napkin	100g	ladies' briefs	100g
quilt cover	700g	men's work shirt	600g
sheet	500g	men's shirt	200g
pillow case	200g	men's pyjamas	500g
tablecloth	250g	blouse	100g
towelling towel	200g	men's underpants	100g
tea cloth	100g		

Drying programmes

Use Process

Drying programmes

Section	Course	Max load	Description of programme
Cottons	Extra	6.0kg	Drying bathrobe, toweling towel, Jeans, work clothes.
	Cupboard+	6.0kg	Drying bathrobe, toweling towel, Jeans, work clothes.
		6.0kg	Drying shirt, T-shirt, cotton trousers
	Damp	6.0kg	Drying knitted items, cotton shirt.
	Iron	6.0kg	Drying sheet, bed linen, table linen, starched laundry
Synthetics	Extra	3.0kg	For sheet, tablecloth, synthetics items.
	Cupboard	3.0kg	For synthetics items
	Iron	3.0kg	For knitted items, shirt
Time	30', 60', 90'	6.0kg	Drying thick or multi-layered textiles, e.g. terry towelling items. For drying individual items of laundry or for small volumes.
Specials	Anti-Bac	4.0kg	For men's underpants, pantywaist, winter clothing
	Silk	1.5kg	For silk items
	Freshen-up	3.0kg	For men's underpants, shirt .
	Air Dry	6.0kg	For refreshing or gently cleaning textiles.

If the weight of the laundry is less than 1kg, it is more efficient to dry to select "Time controlled Drying" programme.

Care and cleaning

Use Process

! Care and cleaning

You must DISCONNECT the appliance from the electricity supply, before you can carry out any cleaning or maintenance work.

External cleaning

Use only soap and water and then dry thoroughly .Important:do not use methylated spirit,diluents or similar products.

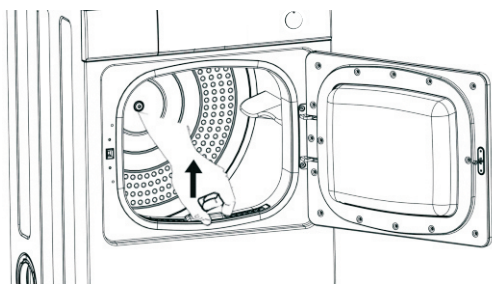
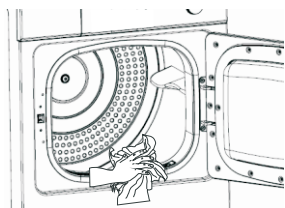
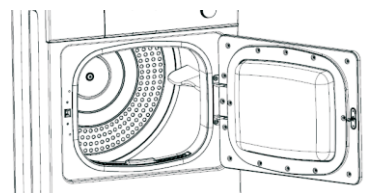
Cleaning the door

Clean periodically the interior part of the door to remove any fluff . Accurate cleaning ensures correct drying.

Cleaning the filter

The "End" light and "Filter" light are lighting for long time after the program is finished, the light are indicating end user to clear the filter.

The filter must be removed for cleaning. (See picture)



Warning Do not use the appliance without filter.

Something not working

Use Process

Something not working

- Certain problems are due to lack of simple maintenance or oversights, which can be solved easily without calling out an engineer. Before contacting your local Service Centre, please carry out the checks listed below.
- During machine operation it is possible that the Start/Pause pilot light flashes to indicate that the machine is not working. Once the problem has been eliminated, press the Start/Pause button to restart the programme. If after all checks, the problem persists, contact your local Service Centre.

Malfunction	Possible cause	Solution
Dryer does not work	<ul style="list-style-type: none"> • Mains plug is not plugged in. • Loading door is open. • Have you pressed the ▶ Button? 	<ul style="list-style-type: none"> • Plug in at mains socket. • Close loading door. • Press the ▶ button again.
Drying results unsatisfactory	<ul style="list-style-type: none"> • Wrong programme selected. • Filter clogged. • Incorrect volume of laundry. 	<ul style="list-style-type: none"> • Select a different programme the next time you dry(see "Drying programmes"section). • Clean lint filter. • Observe recommended loading volumes.
Drum light does not work	<ul style="list-style-type: none"> • Light bulb is defective. 	<ul style="list-style-type: none"> • Replace light bulb.
Drying cycle ends shortly after programme starts. "End" light illuminated.	<ul style="list-style-type: none"> • Not enough washing loaded or washing loaded is too dry for selected programme. 	<ul style="list-style-type: none"> • Select higher drying level (e.g. Heavy instead of Strong).
Drying cycle lasts an unusually long time.	<ul style="list-style-type: none"> • Load volume is too big. 	<ul style="list-style-type: none"> • Reduce load volume.

i If you are unable to identify or solve the problem, contact our service centre. Before telephoning, make a note of the model, serial number and purchase date of your machine: the Service Centre will require this information.

Technical data

Appendix

IMPORTANT:

If you call out an engineer to a fault listed below, or to repair a fault caused by incorrect use or installation, a charge will be made even if the appliance is under guarantee.

Technical data

Dry Capacity (kg)	6.0
Electrical connection Voltage-Overall power-Fuse	Information on the electrical connection is given on the rating plate
Depth with loading door open(mm)	1030
Power(left-on mode)(W)	0. 48
Power(off mode)(W)	0
Energy consumption at full load(kWh)	3.63
Programme time at full load(min)	130
Dimensions(W*D*H) (mm)	595*555*850

Note:All the above datas in the table came out base on “□” which tested according to En61121:2013 standard.

These datas may be different because of different laundry type, residual moisture, environmental conditions and voltage fluctuation.

- ⚠ It is dangerous to alter the specifications or attempt to modify this product in any way.
- ⚠ Care must be taken to ensure that the appliance does not stand on the electrical supply cable.
- ⚠ Any electrical work required to install this appliance should be carried out by a qualified electrician or competent person.

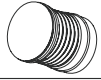

IMPORTANT: The appliance must not built-in.

● Unpacking

All packing must be removed before using the appliance.

● Check accessory

Open the accessory bag and check the accessories.

Accessory	Name	Quantity
	Vent Hose	1
	Manual	1

- ⚠ Should the appliance be moved, it must be transported vertically.

Installation

Appendix

Positioning

It is recommended that, for your convenience, the machine is positioned close to your washing machine. Whilst drying, the tumble dryer will expel a certain amount of warm, very moist air, and this should be removed from the room as quickly as possible to prevent condensation. In an extremely well ventilated room or close to an open window, this may occur naturally. However, in general, it is better to carry the dryer's exhaust outside via the vent hose supplied with the appliance; ending either temporarily at an open window, or permanently at a fixed ventilation grille, fitted to an exterior wall or window.

The tumble dryer must be installed in a clean place, where dirt does not build up. Make sure there are no obstructing items or material near the air-intake louvres provided at the back (e.g. paper, rags etc.). To keep vibration and noise to a minimum when the dryer is in use, it should be placed on a firm, level surface.

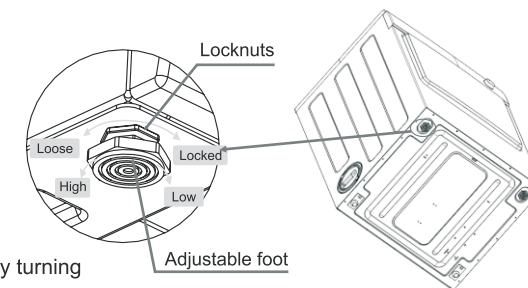


Note If the floor is uneven, adjust the adjustable feet. Do not put any wooden pieces or other objects under foot bases.

Level adjustment

When pushing down the edges of the dryer top plate diagonally, the machine should not move up and down at all. (please check both of two directions) if the machine rocks when pushing the machine top plate diagonally, adjust the feet again.

- Loosen the locknuts
- Adjust the adjustable feet to lower the dryer by turning right and to ascend it by turning left.
- Tighten the locknut after insuring the dryer is level.



Note The locknuts must be tightened after adjustment. Any looseness can cause vibration and noise.

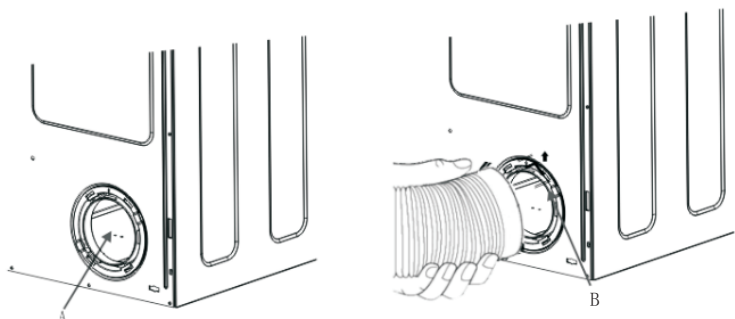
The feet must never be removed. Do not restrict the floor clearance through deep pile carpets, strips of wood or similar. This might cause heat build-up which would interfere with the operation of the appliance.

! IMPORTANT:

The hot air emitted by the tumble dryer can reach temperatures of up to 60° C. The appliance must therefore not be installed in floors which are not resistant to high temperatures.

Fitting the vent hose

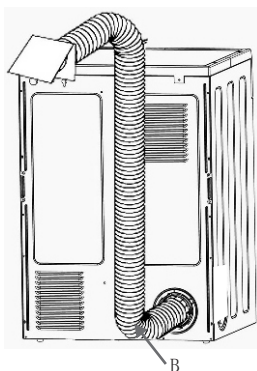
Pull the ring nut (A) from the vent outlet, aligning arrows of hose and ring nut, fastening by screwing hose to the direction of arrow and pushing it firmly back into place.



Advice:

If the hose is long and the room temperature low, the moisture might condense inside the hose. This is an unavoidable natural phenomenon. To prevent this water from lying in the hose or flowing back into the tumble dryer, it is advisable to drill a small container below it. (See picture, point B)

Once connected to the dryer, run the vent hose to the desired outlet point, it contains no more than two bends. As to the outlet itself, if you have decided on a fixed wall/window grille, a good local builder's merchant should be able to supply you with the necessary fittings and installation advice.



! It is important not to connect the vent hose to, for example, a cooker hood, or a chimney or flue pipe designed to carry the exhaust from a fuel burning appliance.

Note that to avoid condensation problems, it is essential that the dryer be fitted with the flexible hose to carry its waste outside the kitchen.

In order to prevent the appliance from overheating, it is important that the steam exhaust is unobstructed.

If the dryer is fitted next to kitchen units, make sure that the vent hose is not squashed.

If the hose is partially squashed, drying efficiency will be reduced, resulting in longer drying times and higher energy consumption. If the hose is completely squashed, the safety cut-out with which the machine is fitted may operate.

That adequate ventilation has to be provided to avoid the back flow of gases into the room from appliances burning other fuels, including open fires.

For appliances with ventilation openings in the base, that a carpet must not obstruct the openings.

Stacking kit

- Electrical connection

Any electrical work required to install this appliance should be carried out by a qualified electrician or competent person.

! Warning | THIS APPLIANCE MUST BE EARTHED.

! The manufacturer declines any liability should this safety measure not be observed.

Before switching on, make sure the electricity supply voltage is the same as that indicated on the appliance's rating plate.

Should the plug need to be replaced for any reason, proceed as described below.

- The wires in the mains lead are coloured in accordance with the following code:

- Green and Yellow-Earth ⊕

- Blue-Neutral

Brown-Live

The wire coloured green and yellow must be connected to the terminal marked with the letter or by the earth symbol or coloured green and yellow.

Environment concerns




Appendix



Warning

- A cut off plug inserted into a socket is a serious safety (shock) hazard.
- Ensure that the cut off plug is disposed of safely.
- Permanent connection
In the case of permanent connection it is necessary that you install a double pole switch .
The switch must not break the yellow and green earth cable at any point.

Packaging materials

- The materials marked with the symbol  are recyclable.
>PE<=polyethylene
>PS<=polystyrene
>PP<=polypropylene
- This means that they can be recycled by disposing of them properly in appropriate collection containers.
- Old machine
Use authorized disposal sites for your old appliance. Help to keep your country tidy!
- The symbol  on the product or on its packaging indicates that this product may not be treated as household waste. Instead it should be taken to the appropriate collection point for the recycling of electrical and electronic equipment. By ensuring this product is disposed of correctly, you will help prevent potential negative consequences for the environment and human health, which could otherwise be caused by inappropriate waste handling of this product. For more detailed information about recycling of this product, please contact your local council, your household waste disposal service or the shop where you purchased the product.
- The Symbol  mean: caution, risk of fire

Oil-affected items can ignite spontaneously, especially when exposed to heat sources such as in a tumble dryer. The items become warm, causing an oxidation reaction in the oil. Oxidation creates heat. If the heat cannot escape, the items can become hot enough to catch fire. Piling, stacking or storing oilaffected items can prevent heat from escaping and so create a fire hazard.If it is unavoidable that fabrics that contain vegetable or cooking oil or have been contaminated by hair care products be placed in a tumble dryer they should first be washed in hot water with extra detergent - this will reduce, but not eliminate, the hazard.

Ecological hints

To save energy and to help protect the environment,we recommend that you follow these hints:
Try to load the maximum capacity of the machine as small loads are uneconomical.

Guarantee/Customer Service

Appendix

- Do not over-dry laundry,this avoids creasing and saves energy.
- Select the drying programme according to the type of laundry and the required degree of dryness.
- Clean the filters regularly to avoid excessive drying times and high electricity consumption.
- Ventilate the room well.




Standard guarantee conditions

- We undertake that if within 12 months of the date of the purchase this appliance , we will, at our option repair or replace the same FREE OF CHARGE for labour, materials or carriage on condition that:
 - The appliance has been correctly installed and used only on the electricity supply stated on the rating plate.
 - The appliance has been used for normal domestic purposes only, and in accordance with the manufacturer's instructions.
 - The appliance has not been serviced, maintained, repaired, taken apart or tampered with by any person not authorised by us.
 - This guarantee is in addition to your statutory and other legal rights.

This guarantee does not cover

- Damage or calls resulting from transportation, improper use or neglect, the replacement of any light bulbs or removable parts of glass or plastic.
- Appliances found to be in use within a commercial environment, plus those which are subject to rental agreements.
- Products of our manufacture which are not marketed by us.

Marking explanation

V	Volt	~	Alternating current	
W	Watt	Hz	Hertz	
	Tested safety		CE marking	 risk of fire

Oil-affected items can ignite spontaneously, especially when exposed to heat sources such as in a tumble dryer. The items become warm, causing an oxidation reaction in the oil. Oxidation creates heat. If the heat cannot escape, the items can become hot enough to catch fire. Piling, stacking or storing oil-affected items can prevent heat from escaping and so create a fire hazard. If it is unavoidable that fabrics that contain vegetable or cooking oil or have been contaminated by hair care products be placed in a tumble dryer they should first be washed in hot water with extra detergent - this will reduce, but not eliminate, the hazard.

Electric diagram

