

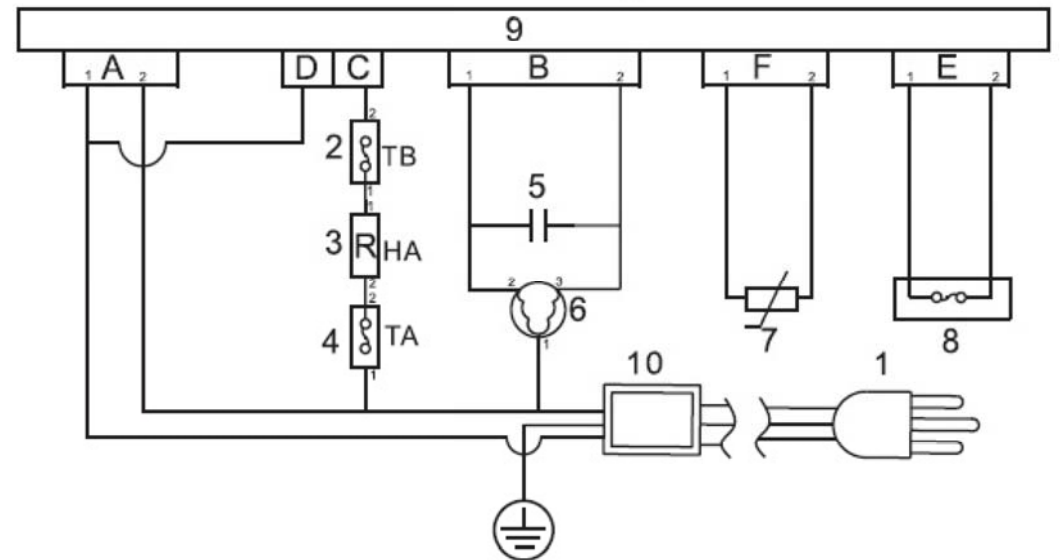


AUTO TUMBLE DRYER
MODEL:MDA60-V012/A0303-GB18

RATED CAPACITY	6.0kg
POWER SUPPLY	220-240V~ 50Hz
RATED POWER	2000W
MOTOR INPUT POWER	200W
HEATING POWER	1800W
GRADE OF WATERPROOF	IPX4



Circuit Diagram



1. Plug 2. Self-resetting temperature controller 3. Heater
4. Non-self-resetting thermal cut-out 5. Capacitor 6. Motor
7. Temperature sensor 8. Door switch 9. PCB 10. Filter