

EN WARRANTY CONDITIONS
This product is guaranteed against faults caused by defects in manufacturing or the materials used for a period of two years, starting from the date of purchase.* This warranty does not cover defects or damage caused by failure to install the device correctly, incorrect use of the product, or excessive wear and tear.
*proof of purchase required.

FR CONDITION DE GARANTIE
Ce produit est garanti pour une période de 2 ans à partir de la date d'achat*, contre toute défaillance résultant d'un vice de fabrication ou de matériau. Cette garantie ne couvre pas les vices ou les dommages résultant d'une mauvaise installation, d'une utilisation incorrecte ou de l'usure anormale du produit.
*sur présentation du ticket de caisse.

NL GARANTIEVOORWAARDEN
Dit product wordt gegarandeerd voor een periode van 2 jaar vanaf de aankoopdatum*, voor elke storing die het gevolg is van een fabricagefout of het materiaal. Gebreken of schade door slechte installatie, onjuist gebruik of abnormale slijtage van het product worden niet gedekt door deze garantie.
*op vertoon van kassabon.

ES CONDICIONES DE GARANTÍA
El certificado de garantía de este producto tiene una duración de 3 años a partir de la fecha de compra* que se limita a los defectos de fabricación y averías del material. Se excluyen de la garantía deficiencias o daños originados por una mala instalación, errores en la manipulación o por un uso inadecuado.
*previa presentación del comprobante de compra.

Fridge - freezer
Réfrigérateur - congélateur
Koelvrieskast
Frigorífico - congelador

983823 - 2D 206 E W742C

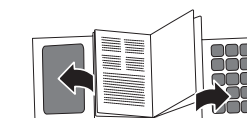
INSTRUCTIONS FOR USE02
CONSIGNES D'UTILISATION16
GEBRUIKSAANWIJZINGEN32
INSTRUCCIONES DE USO46

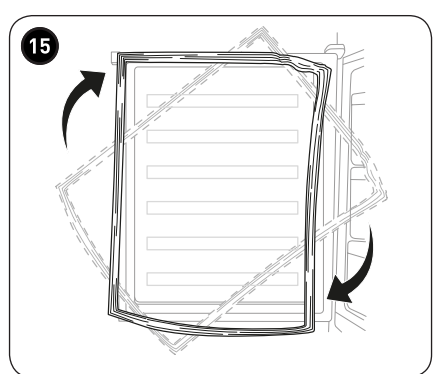
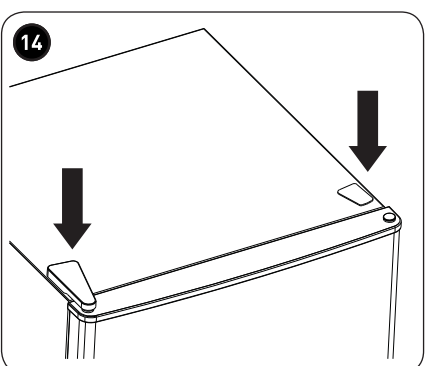
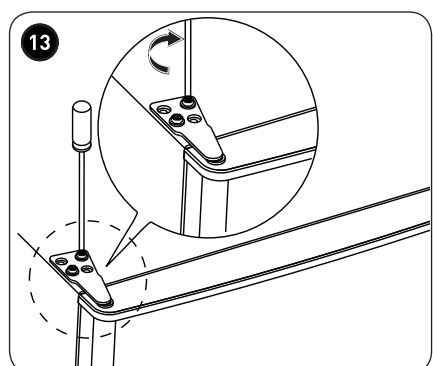
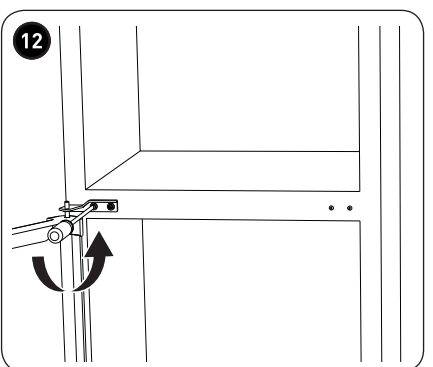
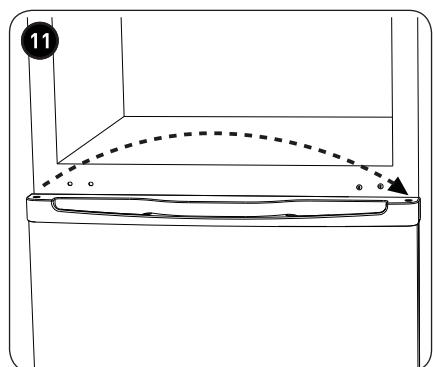
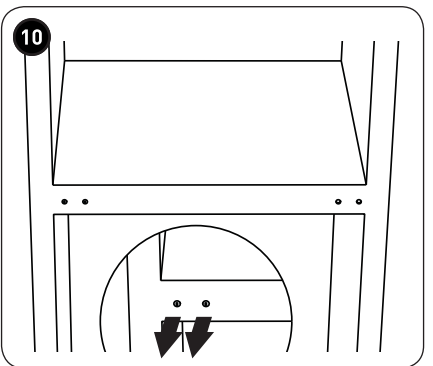
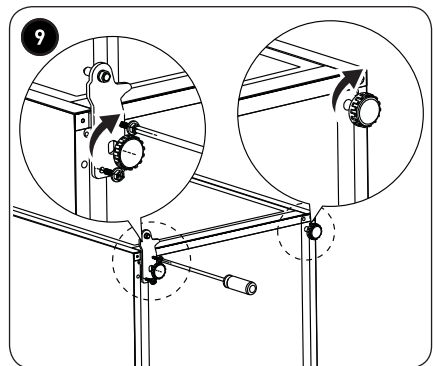
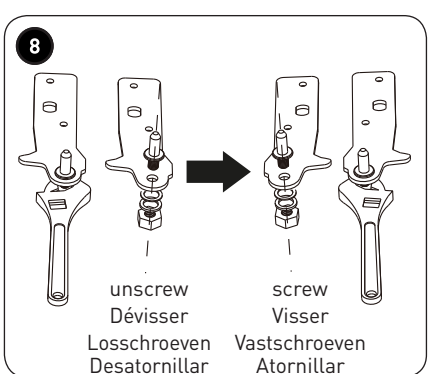
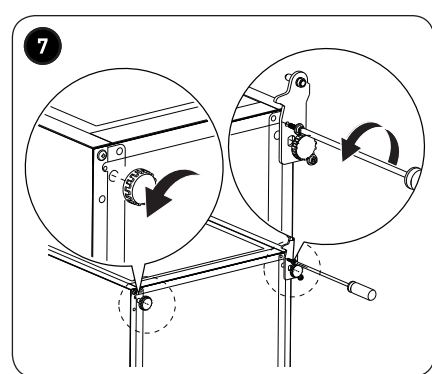
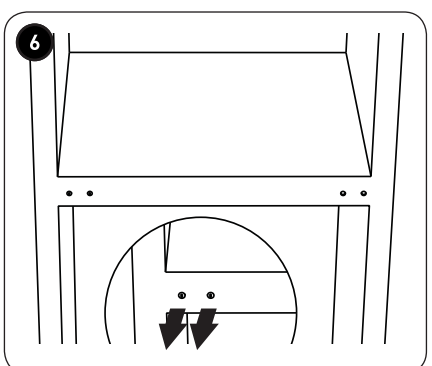
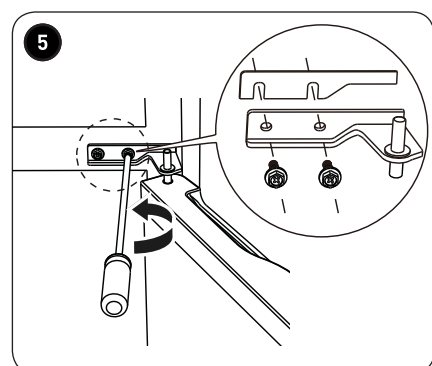
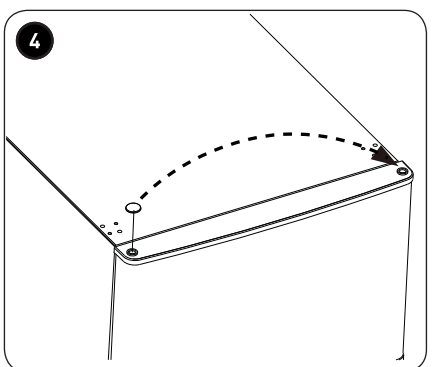
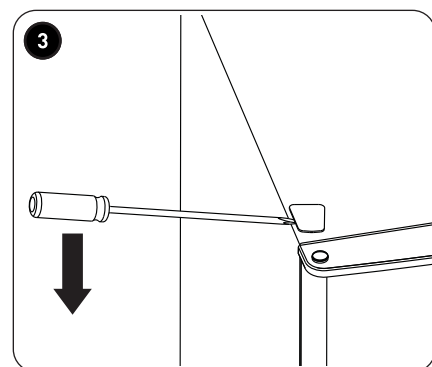
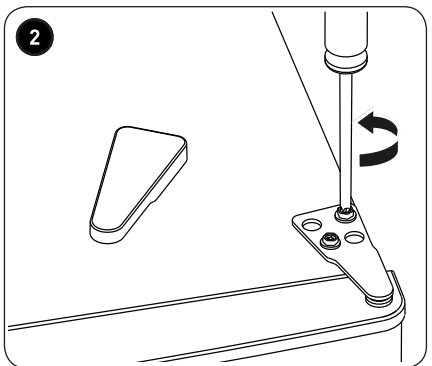
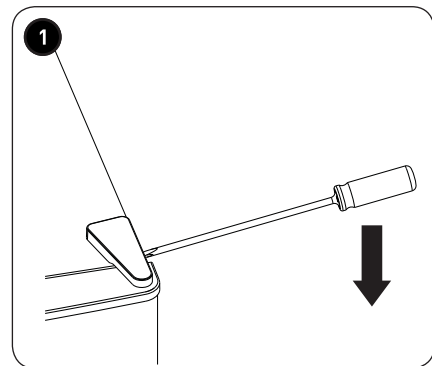
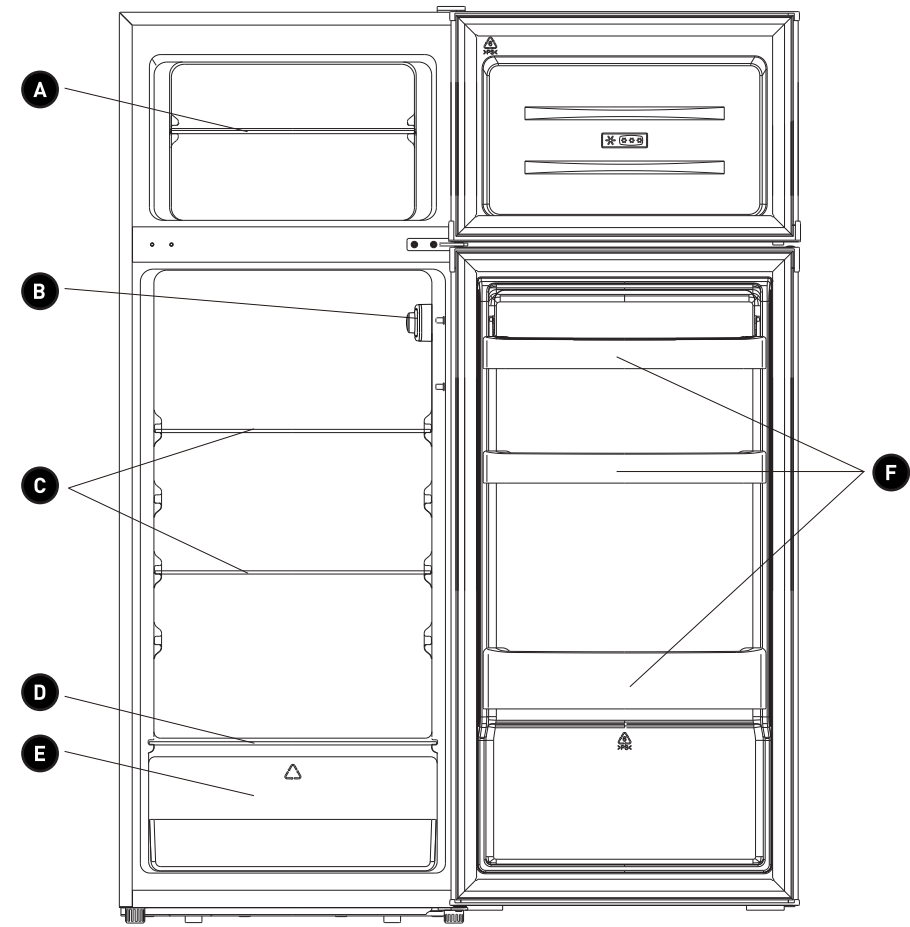
ELECTRO DEPOT
1 route de Vendeville
59155 FACHES-THUMESNIL - FRANCE
productsupport@contact.electrodepot.fr



CKHON-X01-B

HIGH 1 NE





Thank you!

Thank you for choosing this HIGHONE product. HIGHONE products are chosen, tested, and recommended by ELECTRO DEPOT, so you can be sure you are getting a top-quality, easy-to-use product that won't let you down.

We're confident your new device will be a pleasure to use every day!

Welcome to ELECTRO DEPOT.



ELECTRO DEPOT

Table of Contents

A

Product overview

Recommended ambient temperature range
Temperature control adjustment
Overview

B

Product usage

Installation
Daily use

C

Cleaning and maintenance

Cleaning
Defrosting the freezer
Replacing the lightbulb
Troubleshooting

Recommended ambient temperature range

Respect the climate classes indicated in the product information on the appliance's nameplate. You can use this to check the recommended temperature range of the room where the appliance is located:

- SN: Between 10 and 32°C
- N: Between 16 and 32°C
- ST: Between 16 and 38°C
- T: Between 16 and 43°C

A multi-class appliance can handle the lowest and highest temperature of all classes covered. Using the appliance outside of the ambient temperature range will result in inferior performance and premature ageing.

Temperature control adjustment

For optimal use and energy savings, adjust the temperature control(s) of the appliance according to the ambient temperature of the room, in which it is being used, and respect the climate class. Refer to the product sheet to find out the climate class associated with the minimum and maximum recommended ambient temperatures for the appliance as well as the temperature setting recommended for storing food under optimal conditions.

The ambient temperatures in °C are given as a rough guide.

The set positions can be affected by the location of the appliance in the room, how often the door is opened or the load of food inside.

The temperature control position(s) may need to be changed to compensate for these factors.

Examples of locations:

- Unheated room in winter like a garage in a cold region.
- Living room with normal heating like a kitchen
- Non-air-conditioned room in summer in a hot region

Overview

- | | |
|-------------------------------|-------------------------|
| A Freezer shelf | D Crisper lid |
| B Thermostat and Light | E Vegetable bins |
| C Glass shelves | F Door shelves |

This illustration is for illustrative purposes only, refer to your device for details.

Placement

Install this appliance in a location where the ambient temperature corresponds to the climate classification indicated on the nameplate of the appliance:

for refrigeration appliances in the following climate classes:

- extended temperate: This refrigeration appliance is intended for use at ambient temperatures between 10 and 32°C; (SN)
- temperate: This refrigeration appliance is intended for use at ambient temperatures between 16 and 32°C; (N)
- subtropical: This refrigeration appliance is intended for use at ambient temperatures between 16 and 38°C; (ST)
- tropical: This refrigeration appliance is intended for use at ambient temperatures between 16 and 43°C; (T)

Location

The appliance must be installed at a distance from heat sources, such as radiators, boilers, direct sunlight, etc. Make sure that air can flow freely behind the appliance. For optimum performance, if the appliance is placed underneath a suspended kitchen cabinet, the minimum clearance between the top of the appliance and the cabinet should be at least 50 mm. However, it is better if the appliance is not placed under suspended kitchen furniture. The appliance can be correctly levelled using one or more of the adjustable feet at the base of the unit.

This refrigeration appliance is not designed to be used as a built-in appliance.

**CAUTION**

It must be possible to disconnect the appliance from the mains; the socket must therefore be easily accessible after installation.

Power supply connection

Before plugging in the appliance, make sure that the voltage and frequency specified on the nameplate match those of your network. This appliance must be earthed. The plug of the power cable has an earth pin for this purpose. If the household power supply is not earthed, connect the appliance to a separate earthed socket in accordance with the relevant regulations, otherwise consult a qualified electrician.

The manufacturer declines all responsibility if the above safety instructions are not followed. This appliance complies with the following EEC directives.

Installation

Reversing the door

Required tools: Phillips screwdriver, flathead screwdriver, Allen key.

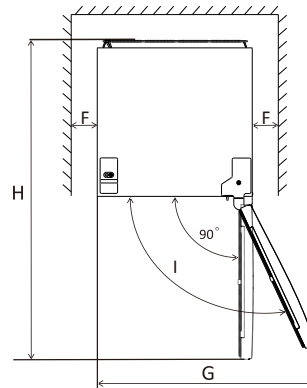
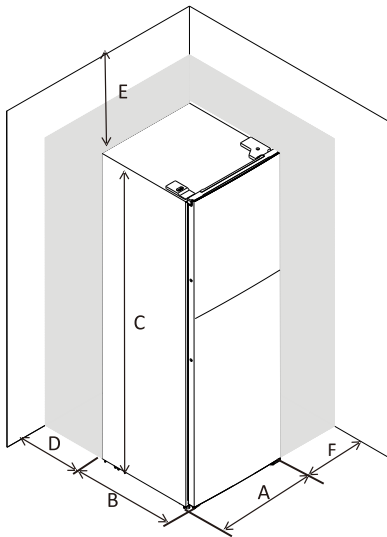
- Make sure that the appliance is unplugged and empty.
- To remove the door, you must tilt the appliance backwards. It must be placed on something solid so that it does not slip during the process of transposing the door.
- Keep all the parts, that have been removed, in order to refit the door.
- To avoid damaging the cooling system, do not lay the appliance down flat.
- It is preferable that two people handle the unit during assembly.

- 1 Carefully remove the top hinge cover with a flathead screwdriver.
- 2 Unscrew the top hinge with a crosshead screwdriver.
- 3 Remove the cover from the hole using a flathead screwdriver.
- 4 Move the core cover from left to right, then lift the top door and place it on a padded surface to avoid scratching it.
- 5 Unscrew the centre hinge, then lift the bottom door and place it on a soft pad to prevent scratching.
- 6 Move the two centre hole covers from the left to the right.
- 7 Rest the back of the cabinet on a soft pad, then unscrew the bottom hinge and the levelling foot.
- 8 Unscrew and remove the lower hinge pin, turn the bracket over and replace it.
- 9 Install the hinge on the left and the base of the leg on the right. Then screw on the two levelling feet with their original parts.
- 10 Move the two centre hole covers from the left to the right.
- 11 Lift the appliance and place the door on the bottom hinge. Ensure that the bottom hinge core is inserted into the door hole. Then move the lower door hinge hole cover from the left to the right.
- 12 Install the centre hinge.

- 13 Install the top door with the top hinge.
- 14 Fit the hinge cover and the hole cover over the appliance.
- 15 Remove the door seals from the refrigerator and freezer and replace them after turning them over.

Necessary space

- Keep enough space to open the door.

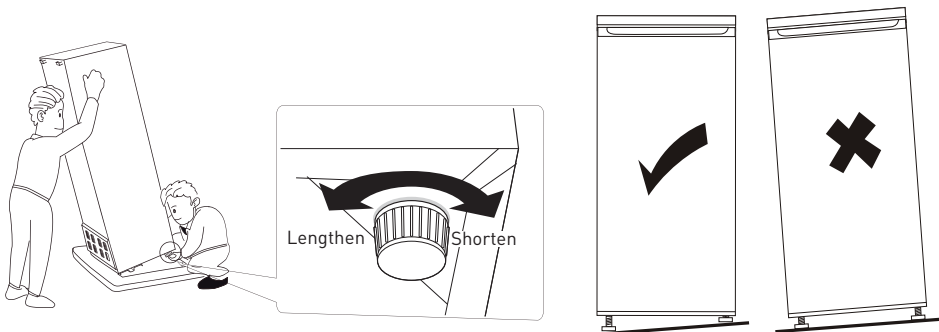


A	545
B	555
C	1430
D	min=50
E	min=50
F	min=50
G	1090
H	1110
I	135°

Place the unit in the horizontal position

To do this, adjust the two levelling feet at the front of the appliance.

If the appliance is not flat, the alignment of the doors and magnetic closures will not be correct.



Daily use

Getting started

Cleaning the interior

Before using the appliance for the first time, clean the interior and all internal accessories with warm, soapy water to remove the characteristic odour of a new appliance, then dry thoroughly.

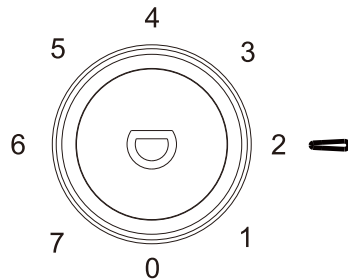


Important

Do not use abrasive detergents or powders as they may damage the finish.

Temperature setting

- Plug in the appliance. The internal temperature is controlled by a thermostat. It has 8 settings 1 is the warmest setting and 7 is the coldest. On setting 0, the appliance is off.
- When set to the maximum setting, the compressor runs non-stop.
- The appliance may not operate at the correct temperature if it is placed in a particularly hot place or if you open the door frequently.



Environnement temperature	16°C	25°C	32°C
Fridge			
Freezer	N/A	N/A	N/A

Daily use

Place the different foods in the different compartments according to the table below

Refrigerator compartments	Type of food
The device does not work.	<ul style="list-style-type: none"> • Foods containing natural preservatives, such as jams, juices, drinks, or condiments. • Do not store perishable food.

Vegetable bin drawer (salad drawer)	<ul style="list-style-type: none"> • Fruit, herbs and vegetables should be placed separately in the vegetable crisper. • Do not store bananas, onions, potatoes and garlic in the refrigerator.
Refrigerator shelf – centre	<ul style="list-style-type: none"> • Dairy products, eggs
Refrigerator shelf – top	<ul style="list-style-type: none"> • Foods that do not need to be cooked, such as ready-to-eat foods, deli meats or leftovers.
Refrigerator shelf/ drawer(s)	<ul style="list-style-type: none"> • Food to be kept for a long time. • Bottom shelf or drawer for raw meat, poultry or fish. Central shelf or drawer for frozen vegetables or chips. Top shelf or drawer for ice cream, frozen fruit or frozen baked goods.

Impact on food preservation

- At the recommended setting, the best shelf life in the refrigerator is no more than 3 days.
- At the recommended setting, the best shelf life in the freezer is no more than 1 month.
- The best shelf life can be reduced when the settings are different.

Freezing fresh food

- The freezer compartment is suitable for freezing fresh food and storing frozen and deep-frozen food for a long period.
- Place the fresh food to be frozen in the freezer compartment.
- The maximum amount of food you can freeze within 24 hours is indicated on the rating plate.
- The freezing process lasts 24 hours. Do not add other foods to be frozen during this period.

Storage of frozen food

Before starting up for the first time or after a long period of non-use, allow the appliance to run for at least 2 hours on the higher settings before putting products in the compartment.



Important

In case of accidental defrosting, e.g. due to a power failure exceeding the time specified in the technical data. Thawed food should be eaten quickly or cooked immediately and refrozen (after cooking).

Defrosting

Before use, deep-frozen or frozen food items can be thawed in the refrigerator compartment or at room temperature, depending on how much time you have to do this.

Smaller foods can even be cooked and frozen directly from the freezer. In this case, cooking time is longer.

Ice cubes

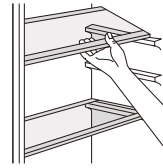
This appliance can be equipped with one or more ice cube moulds to produce ice cubes.

Accessories for removable shelves

The walls of the refrigerator have a series of guides for positioning the shelves according to your needs.

Positioning the door shelves

So that you can store food products of various sizes, the door shelves can be placed at different heights. To adjust these settings, proceed as follows: gradually remove the shelf as shown by the arrows until it comes free, then reposition it as desired.



Useful advice

Here are some tips to help you get the most out of the freezing process

- the maximum amount of food you can freeze within 24 hours is indicated on the rating plate;
- the freezing process lasts 24 hours. No other food should be added to the freezer during this period;
- only freeze fresh and thoroughly washed food
- prepare food in small portions to allow quick and complete freezing and to be able to defrost only the amount needed;
- wrap food in aluminium foil or polythene film and make sure the wrapping is airtight;
- do not allow fresh, unfrozen food to touch food that is already frozen to prevent the temperature of the food from rising;
- food which is low in fat keeps better and for longer periods than fatty foods; salt reduces the shelf life of foodstuffs;
- sorbets, if consumed immediately after removal from the freezer compartment, may cause frostbite;
- it is advised that you indicate the date of freezing on each individual package to enable you to remove them from the compartment and avoid freezer burn;
- it is advisable to mark each individual package with the freezing date so that you can keep track of the storage time.

Tips for storing frozen food

To get the best performance from this device, it is advisable to:

- check that frozen food products purchased from shops have been properly stored by the seller;
- ensure that frozen food is transferred from the shop to your freezer in the shortest possible time;
- do not open the door too often and do not leave it open longer than necessary.
- Once thawed, food deteriorates quickly and cannot be refrozen.
- Do not exceed the shelf life specified by the food manufacturer.

Tips for refrigerating fresh food

For best performance:

- Do not store hot food or evaporating liquids in the refrigerator.
- Cover or wrap food, especially if it has a strong flavour.
- All types of food: wrap the food in freezing bags and place it on the glass shelves above the crisper.
- For your safety, do not store food for more than a day or two in this way.
- Cooked foods, cold dishes, etc.: must be covered, and can be stored on any shelf.
- Fruit and vegetables: they must be thoroughly clean and placed in the specific compartment(s) provided.
- Butter and cheese: they should be placed in special airtight containers or wrapped in aluminium foil or polythene bags to exclude as much air as possible.
- Bottles of milk: they must have a top and be stored in the door shelves.
- Do not store bananas, potatoes, onions and garlic in the refrigerator, unless they are wrapped.

Cleaning

For hygiene reasons, the interior of the appliance and its interior accessories should be cleaned regularly.



CAUTION

Disconnect the appliance from the mains during cleaning. Risk of electric shock.

Before cleaning, please switch off the appliance and disconnect it from the mains, or switch off or disconnect the circuit breaker or fuse. Never use a steam cleaner to clean the appliance. Moisture may penetrate the electrical components and cause a risk of electric shock! Steam can damage the plastic parts. The appliance must be dry before being put back into service.

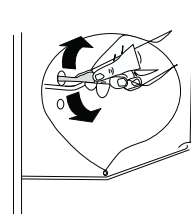


IMPORTANT

Volatile oils and organic solvents, such as lemon juice or orange peel juice, butyric acid, cleaning agents containing acetic acid, for example, may erode plastic parts.

Clean the drain hole

To prevent defrost water from overflowing into the refrigerator, periodically clean the drain hole at the back of the refrigerator compartment. Use a cleaning agent to clean the hole as shown in the picture on the right.



- Do not let these substances come in contact with the parts of the appliance.
- Do not use abrasive cleaning products.
- Take the food out of the freezer. Store it in a cool, well-covered place.
- Switch off the appliance and unplug it from the mains power, or switch off or disconnect the circuit breaker or fuse.
- Clean the appliance and the interior accessories with a cloth and warm water. After cleaning, wipe the appliance with fresh water and dry it.
- Switch the appliance back on when it has dried.

Defrosting the freezer

Unfortunately, the freezer compartment will gradually cover with frost. It must be removed. Avoid using sharp metal tools to scrape the frost off the evaporator, as this may damage it. However, when the ice becomes very thick on the inner lining, complete defrosting should be carried out as follows:

- remove the plug from the mains socket;
- remove all stored food, wrap it in several layers of newspaper and put it in a cool place;
- keep the door open and place a drip tray under the appliance to collect the defrost water;
- when defrosting is complete, dry the interior thoroughly;
- replace the plug in the mains socket to return the appliance to operation.

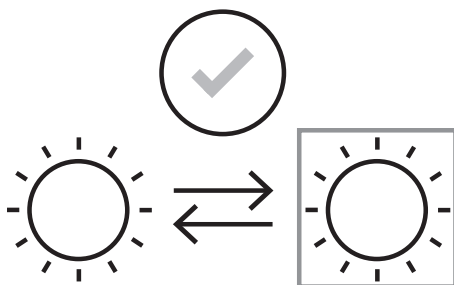
Replacing the lightbulb

This product contains a light source exempted of energy efficiency class.

Light source in this product can be replaced by the end user.

Please unplug the appliance before any light source change operation.

The light source shall be removed at the end of the product's useful life, with sorting and recycling done separately.



Troubleshooting



CAUTION

Before troubleshooting, disconnect the unit from the mains. Only a qualified electrician or other competent person is allowed to carry out work on the appliance that is not indicated in this user's manual.



IMPORTANT

Abnormal noise during operation (compressor, refrigerant circulation).

Problem	Possible Cause	Solution
The device does not work.	<ul style="list-style-type: none"> • The thermostat is set to the number "0". • The plug is not connected or is loose. • The fuse has blown or is defective. • The fuse has blown or is defective. 	<ul style="list-style-type: none"> • Set the thermostat to a different number to turn the unit on. • Connect the plug. • Check the fuse, replace it if necessary. • Check the fuse, replace it if necessary.
Food is not cold enough.	<ul style="list-style-type: none"> • The temperature is not set correctly. • The door has been left open for a long time. • A large amount of hot food has been placed in the appliance in the last 24 hours. • The device is close to a heat source. 	<ul style="list-style-type: none"> • Please lower the initial temperature. • Do not open the door for longer than necessary. • Temporarily set the temperature to a cooler position. • Please refer to the Installation Location section.
The appliance is too cold.	<ul style="list-style-type: none"> • The thermostat has been set too cold. 	<ul style="list-style-type: none"> • Turn the thermostat temporarily to a warmer position.

Problem	Possible Cause	Solution
Unusual noises	<ul style="list-style-type: none">• The appliance is not horizontal.• The appliance is touching the wall or other objects.• A component at the back of the appliance, such as a pipe, is touching another part of the appliance or the wall.	<ul style="list-style-type: none">• Readjust the feet.• Shift the appliance slightly.• If necessary, carefully bend the component away.
Water pooling on the floor.	<ul style="list-style-type: none">• The water drain hole is blocked.	<ul style="list-style-type: none">• See the Cleaning section.
The side panel is warm	<ul style="list-style-type: none">• The condenser is inside the panel.	<ul style="list-style-type: none">• This is normal.

Merci !

Merci d'avoir choisi ce produit HIGHONE.
Choisis, testés et recommandés par ELECTRO DEPOT,
les produits de la marque HIGHONE vous assurent
une utilisation simple, une performance fiable et
une qualité irréprochable.
Grâce à cet appareil, vous savez que chaque utilisation
vous apportera satisfaction.

Bienvenue chez ELECTRO DEPOT.

Visitez notre site Internet : www.electrodepot.fr
www.electrodepot.be

VOTRE AVIS COMPTE !



**PARTAGEZ
VOTRE EXPERIENCE
SUR LES PRODUITS**

Parce que votre satisfaction est notre priorité, nous vous proposons
de donner votre avis sur ce produit. Il sera transmis et analysé par
nos équipes afin d'améliorer continuellement le produit.

Donnez votre avis sur <http://www.electrodepot.fr/avis-client>



ELECTRO DEPOT

Table des matières

A

Aperçu de l'appareil

Températures ambiantes d'utilisation
Réglage du thermostat
Vue d'ensemble

B

Utilisation de l'appareil

Installation
Utilisation quotidienne

C

Nettoyage et entretien

Nettoyage
Dégivrage du congélateur
Remplacement de la lampe
Dépannage

Les notices sont aussi disponibles sur le site
<http://www.electrodepot.fr/sav/notices/>
<http://www.electrodepot.be/fr/sav/notices>

Températures ambiantes d'utilisation

Il est recommandé de respecter les classes climatiques indiquées dans la fiche produit sur la plaque signalétique de l'appareil, cela vous permet de vérifier sous quelles plages de températures ambiantes l'appareil peut être utilisé :

- SN : Entre 10 et 32°C
- N : Entre 16 et 32°C
- ST : Entre 16 et 38°C
- T : Entre 16 et 43°C

Un appareil multi-classes peut gérer la température la plus basse et la plus élevée de l'ensemble des classes couvertes. L'utilisation de l'appareil en dehors de la plage de température ambiante alterne ses performances et sa durée de vie.

Réglage du thermostat

Pour un usage optimal et des économies d'énergie, il est recommandé de régler le(s) thermostat(s) de l'appareil selon la température ambiante de la pièce d'utilisation et le respect de la classe climatique.

Veuillez vous référer à la fiche produit pour connaître la classe climatique associée aux températures ambiantes minimales et maximales adaptées à l'appareil ainsi que le réglage de température recommandé pour un stockage optimisé des denrées alimentaires.

Les degrés des températures ambiantes T°C sont donnés uniquement à titre indicatif.

L'emplacement dans la pièce, la fréquence d'ouverture de porte(s) ou encore le niveau de chargement en denrées alimentaires de l'appareil peuvent impacter les positions précisées. La ou les position(s) de thermostat(s) peu(ven)t devoir être modifiées pour compenser ces facteurs.

Exemples de pièce d'utilisation :

- Pièce non chauffée en hiver comme un garage dans une région froide .
- Pièce à vivre normalement chauffée comme une cuisine
- Pièce non climatisée en été dans une région chaude

Vue d'ensemble

A Clayette de congélateur

D Couvercle du bac à légumes

B Thermostat et Lumière

E Bacs à légumes

C Clayettes vitrées

F Balconnets

Cette illustration n'est qu'à titre indicatif, reportez-vous à votre appareil pour plus de détails.

Positionnement

Installez cet appareil à un endroit où la température ambiante correspond à la classification climatique indiquée sur la plaque signalétique de l'appareil :

pour les appareils frigorifiques appartenant aux classes climatiques suivantes :

- tempéré étendu : cet appareil frigorifique est destiné à être utilisé à des températures ambiantes comprises entre 10 et 32 °C ; (SN)
- tempéré : cet appareil frigorifique est destiné à être utilisé à des températures ambiantes comprises entre 16 et 32 °C ; (N)
- subtropical : cet appareil frigorifique est destiné à être utilisé à des températures ambiantes comprises entre 16 et 38 °C ; (ST)
- tropical : cet appareil frigorifique est destiné à être utilisé à des températures ambiantes comprises entre 16 et 43 °C ; (T)

Emplacement

L'appareil doit être installé à l'écart de sources de chaleur comme les radiateurs, chaudières, la lumière directe du soleil, etc. Assurez-vous que l'air puisse circuler librement à l'arrière de l'appareil. Pour obtenir des performances optimales, si l'appareil est placé en-dessous d'un meuble de cuisine suspendu, la distance minimale entre le haut de l'appareil et le meuble doit mesurer au moins 50 mm. Cependant, il est préférable que l'appareil ne soit pas placé sous des meubles de cuisine suspendus. Une mise à niveau correcte s'effectue à l'aide d'un ou plusieurs pieds réglables à la base de l'appareil.

Cet appareil de réfrigération n'est pas conçu pour être utilisé en tant qu'appareil encastré.



ATTENTION

Il doit être possible de débrancher l'appareil du réseau électrique ; la prise doit donc être facilement accessible après l'installation.

Raccordement électrique

Avant de brancher l'appareil, veillez à ce que la tension et la fréquence indiquées sur la plaque signalétique correspondent à celles de votre réseau. L'appareil doit être mis à la terre. La fiche du câble d'alimentation est munie d'un contact à cet effet. Si la prise d'alimentation domestique n'est pas reliée à la terre, branchez l'appareil à une prise de terre distincte conformément aux réglementations en vigueur, sinon consultez un électricien qualifié.

Le fabricant décline toute responsabilité si les consignes de sécurité ci-dessus ne sont pas respectées. Cet appareil est conforme aux directives CEE.

Installation

Inverser la porte

Outils nécessaires : Tournevis cruciforme, tournevis à lame plate, clé à six pans.

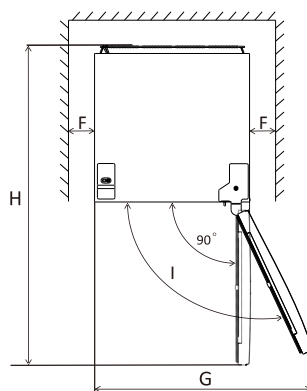
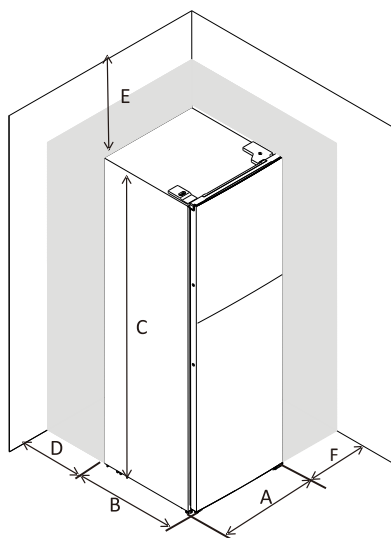
- Vérifiez que l'appareil est débranché et vide.
- Pour enlever la porte, il est nécessaire de pencher l'appareil vers l'arrière. Vous devez le poser sur quelque chose de solide afin qu'il ne dérape pas pendant le processus de transposition de la porte.
- Toutes les pièces retirées doivent être conservées pour réinstaller la porte.
- Ne posez pas l'appareil à plat afin d'éviter d'endommager le système de refroidissement.
- Il est préférable que 2 personnes manipulent l'appareil pendant le montage.

- 1 Retirez soigneusement le cache de la charnière supérieure avec un tournevis à tête plate.
- 2 Dévissez la charnière supérieure avec un tournevis cruciforme.
- 3 Retirez le cache du trou à l'aide d'un tournevis à tête plate.
- 4 Déplacez le cache du noyau de la gauche vers la droite, puis soulevez la porte supérieure et placez-la sur une surface rembourrée pour éviter de la rayer.
- 5 Dévissez la charnière centrale, puis soulevez la porte inférieure et placez-la sur un coussinet moelleux pour éviter les rayures.
- 6 Déplacez les deux caches de trou centraux de la gauche vers la droite.
- 7 Reposez l'arrière de l'armoire sur un coussinet moelleux, puis dévissez la charnière inférieure et le pied de mise à niveau.
- 8 Dévissez et retirez l'axe de charnière inférieur, retournez le support et remettez-le en place.
- 9 Installez la charnière à gauche ainsi que la base du pied à droite. Vissez ensuite les deux pieds de nivellement avec leurs pièces d'origine.
- 10 Déplacez les deux caches de trou centraux de la gauche vers la droite.
- 11 Relevez l'appareil et placez la porte sur la charnière inférieure. Assurez-vous que le noyau-charnière inférieur est inséré dans le trou de porte. Déplacez ensuite le cache du trou de charnière de la porte inférieure de la gauche vers la droite.

- 12 Installez la charnière centrale.
- 13 Installez la porte supérieure avec la charnière supérieure.
- 14 Encastrez le cache de charnière et le cache de trou au-dessus de l'appareil.
- 15 Détachez les joints de porte du réfrigérateur et du congélateur, puis remettez-les en place après les avoir retournés.

Espace nécessaire

- Gardez suffisamment d'espace pour ouvrir la porte.

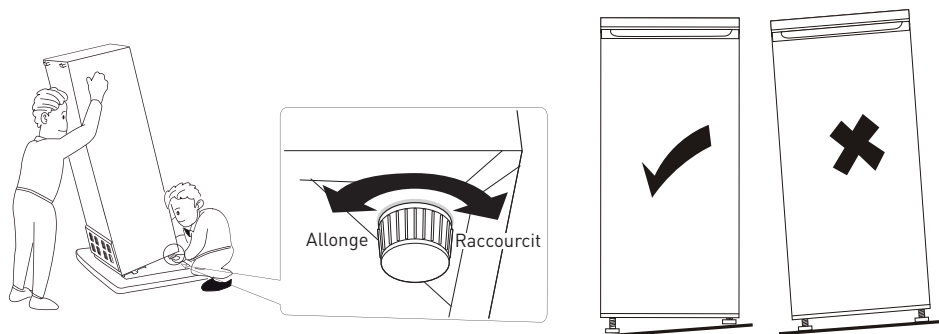


A	545
B	555
C	1430
D	min=50
E	min=50
F	min=50
G	1090
H	1110
I	135°

Placer l'appareil en position horizontale

Pour cela, ajustez les deux pieds de nivellement à l'avant de l'appareil.

Si l'appareil n'est à plat, l'alignement des portes et des fermetures magnétiques ne se fera pas correctement.



Utilisation quotidienne

Première utilisation

Nettoyage de l'intérieur

Avant d'utiliser l'appareil pour la première fois, nettoyez l'intérieur et tous les accessoires internes avec de l'eau tiède et savonneuse pour enlever l'odeur caractéristique d'un appareil neuf, puis séchez soigneusement.

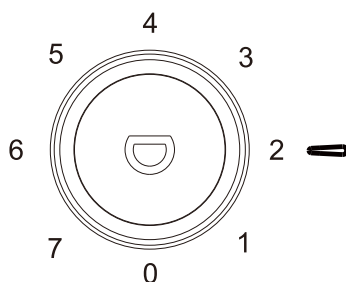


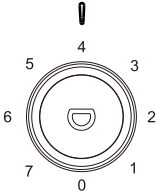
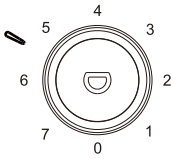
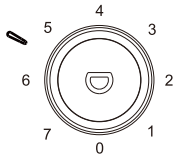
Important

N'utilisez pas de détergents ou de poudres abrasifs, car ils peuvent endommager la finition.

Réglage de la température

- Branchez votre appareil. La température interne est contrôlée par un thermostat. Il comporte 8 réglages. 1 est le réglage le plus chaud et 7 est le plus froid. Sur le réglage 0, l'appareil est éteint.
- Lorsqu'il est réglé au maximum, le compresseur ne s'arrête pas.
- L'appareil risque de ne pas fonctionner à la température correcte s'il est placé dans un endroit particulièrement chaud ou si vous ouvrez souvent la porte.



Température ambiante	16°C	25°C	32°C
Réfrigérateur			
Congélateur	N/A	N/A	N/A

Utilisation quotidienne

Placez les différents aliments dans les différents compartiments en fonction du tableau ci-dessous

Compartiments du réfrigérateur	Type d'aliments
L'appareil ne fonctionne pas.	<ul style="list-style-type: none"> Aliments contenant des conservateurs naturels, tels que des confitures, des jus, des boissons, des condiments. Ne conservez pas d'aliments périssables.
Tiroir du bac à légumes (tiroir à salade)	<ul style="list-style-type: none"> Les fruits, les herbes et les légumes doivent être placés à part dans le bac à légumes. Ne conservez pas les bananes, les oignons, les pommes de terre et l'ail au réfrigérateur.
Clayette de réfrigérateur – centre	<ul style="list-style-type: none"> Produits laitiers, œufs
Clayette de réfrigérateur – dessus	<ul style="list-style-type: none"> Aliments qui n'ont pas besoin de cuisson, tels que des aliments prêts à manger, des charcuteries, des restes.
Tiroir(s)/clayette du congélateur	<ul style="list-style-type: none"> Aliments devant être conservés à long terme. Clayette ou tiroir inférieur pour la viande crue, la volaille, le poisson. Clayette ou tiroir central pour les légumes congelés, frites. Clayette ou tiroir supérieur pour la crème glacée, les fruits congelés, les produits de boulangerie congelés.

Impact sur la conservation des aliments

- Selon le réglage recommandé, la meilleure durée de conservation du réfrigérateur ne dépasse pas 3 jours.
- Selon le réglage recommandé, la meilleure durée de conservation du congélateur ne dépasse pas 1 mois.
- La meilleure durée de conservation peut être réduite lorsque les réglages sont différents.

Congélation d'aliments frais

- Le compartiment du congélateur convient à la congélation d'aliments frais et au stockage d'aliments surgelés et congelés pendant une longue période.
- Placez les aliments frais à congeler dans le compartiment du congélateur.
- Le nombre d'aliments maximal que vous pouvez congeler dans un délai de 24 heures est indiqué sur la plaque signalétique.
- Le processus de congélation dure 24 heures. N'ajoutez pas d'autres aliments à congeler pendant cette période.

Stockage d'aliments surgelés

Avant le premier démarrage ou après une période d'inutilisation prolongée, laissez l'appareil fonctionner pendant au moins 2 heures sur les réglages plus élevés avant de mettre des produits dans le compartiment.



Important

En cas de dégivrage accidentel, par exemple à cause d'une coupure de courant dépassant la durée indiquée dans les caractéristiques techniques sous temps de montée. Les aliments décongelés doivent être consommés rapidement ou cuits immédiatement puis recongelés (après cuisson).

Décongélation

Avant d'être utilisés, les aliments surgelés ou congelés peuvent être décongelés dans le compartiment du réfrigérateur ou à température ambiante, selon le temps disponible pour cette opération.

Les aliments de petite taille peuvent même être cuits encore surgelés directement depuis le congélateur. Dans ce cas, la cuisson est plus longue.

Glaçon

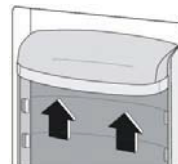
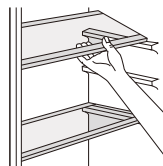
Cet appareil peut être équipé d'un ou plusieurs moules à glaçons pour produire des glaçons.

Accessoires pour les clayettes amovibles

Les parois du réfrigérateur sont équipées de plusieurs glissières permettant un positionnement personnalisé des étagères.

Positionnement des balconnets de porte

Pour permettre le stockage de produits alimentaires de différentes tailles, les balconnets de porte peuvent être placés à différentes hauteurs. Pour effectuer ces réglages, procédez comme suit : retirez progressivement le balconnet dans le sens des flèches jusqu'à ce qu'il se libère, puis repositionnez-le comme vous le souhaitez.



Conseils utiles

Voici quelques conseils pour vous aider à tirer le meilleur parti du processus de congélation

- la quantité d'aliments maximale que vous pouvez congeler dans un délai de 24 heures est indiquée sur la plaque signalétique ;
- le processus de congélation dure 24 heures. Il ne faut pas ajouter d'autres aliments à congeler pendant cette période ;
- ne congeler que des aliments frais et soigneusement lavés
- préparez les aliments en petites portions pour permettre une congélation rapide et complète et pour pouvoir ensuite décongeler uniquement la quantité nécessaire ;
- enveloppez les aliments dans du papier d'aluminium ou de polyéthylène et assurez-vous que les emballages sont hermétiques ;
- ne laissez pas des aliments frais, non congelés, toucher des aliments déjà congelés pour éviter une élévation de la température de ces derniers ;
- les aliments maigres se conservent mieux et plus longtemps que les aliments gras ; le sel réduit la durée de conservation des denrées alimentaires ;
- les sorbets, s'ils sont consommés immédiatement après le retrait du compartiment du congélateur, peuvent éventuellement causer des gelures ;
- il est conseillé d'indiquer la date de congélation sur chaque emballage individuel pour vous permettre de les retirer du compartiment et d'éviter les gelures ;
- il est conseillé d'indiquer la date de congélation sur chaque emballage individuel pour vous permettre de surveiller la durée de stockage.

Conseils pour la conservation des aliments congelés

Pour obtenir les meilleures performances de cet appareil, il est conseillé :

- de vérifier que les produits alimentaires surgelés achetés dans le commerce ont été stockés convenablement par le vendeur ;
- de s'assurer que les aliments congelés sont transférés du magasin à votre congélateur en le moins de temps possible ;
- de ne pas ouvrir la porte trop souvent et de ne pas la laisser ouverte plus longtemps que nécessaire.
- Une fois décongelés, les aliments se détériorent rapidement et ne peuvent pas être recongelés.
- Ne dépassez pas la durée de conservation indiquée par le fabricant des produits alimentaires.

Conseils pour la réfrigération d'aliments frais

Pour obtenir les meilleures performances :

- Ne conservez pas d'aliments chauds ou de liquides en évaporation dans le réfrigérateur.
- Couvrez ou enveloppez la nourriture, en particulier si elle a une forte saveur.
- Tous types d'aliments : enveloppez les aliments dans des sachets de congélation et placez-les sur les clayettes en verre au-dessus du bac à légumes.
- Pour votre sécurité, il est recommandé de ne pas conserver les aliments plus d'un ou deux jours de cette façon.
- Aliments cuits, plats froids, etc ... : ils doivent être couverts et peuvent être placés sur n'importe quelle clayette.
- Fruits et légumes : ils doivent être soigneusement nettoyés et placés dans le(s) bac(s) fourni(s).

- Beurre et fromage : ils doivent être placés dans des récipients hermétiques spéciaux ou enveloppés dans une feuille d'aluminium ou des sacs en polyéthylène pour exclure le plus d'air possible.
- Bouteilles de lait : elles doivent être pourvues d'un bouchon et doivent être stockées dans les balconnets de la porte.
- Les bananes, pommes de terres, oignons et l'ail, s'ils ne sont pas emballés, ne doivent pas être conservés au réfrigérateur.

Nettoyage

Pour des raisons d'hygiène, l'intérieur de l'appareil, y compris les accessoires intérieurs, doivent être nettoyés régulièrement.



ATTENTION

Déconnectez l'appareil du secteur pendant le nettoyage. Risque de décharge électrique.

Avant le nettoyage, veuillez éteindre l'appareil et le débrancher du secteur, ou éteignez ou déconnectez le disjoncteur ou le fusible. N'utilisez jamais un nettoyeur à vapeur pour nettoyer l'appareil. L'humidité pourrait pénétrer dans les composants électriques et entraîner un risque de choc électrique ! Les vapeurs chaudes pourraient endommager les pièces en plastique. L'appareil doit être sec avant d'être remis en service.

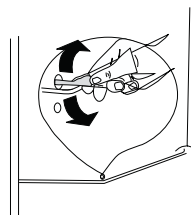


IMPORTANT

Les huiles volatiles et les solvants organiques, comme le jus de citron ou le jus des peaux d'orange, l'acide butyrique, les produits de nettoyage contenant de l'acide acétique par exemple, peuvent attaquer les pièces en plastique.

Nettoyer le trou de vidange

Pour éviter que l'eau de dégivrage déborde dans le réfrigérateur, nettoyez périodiquement le trou de vidange à l'arrière du compartiment du réfrigérateur. Utilisez un agent nettoyant pour nettoyer le trou comme indiqué sur l'image de droite.



- Ne laissez pas ces substances entrer en contact avec les parties de l'appareil.
- N'utilisez pas de produits nettoyants abrasifs.
- Retirez les aliments du congélateur. Conservez-les dans un endroit frais et bien couvert.
- Éteignez l'appareil et débranchez-le du secteur, ou éteignez ou déconnectez le disjoncteur ou le fusible.

- Nettoyez l'appareil et les accessoires intérieurs avec un chiffon et de l'eau tiède. Après le nettoyage, essuyez l'appareil avec de l'eau fraîche et séchez-le.
- Remettez l'appareil en service une fois qu'il est sec.

Dégivrage du congélateur

Malheureusement, le compartiment du congélateur sera progressivement recouvert de givre. Il doit être enlevé. Évitez d'utiliser des outils métalliques tranchants pour racler le givre de l'évaporateur, car vous pourriez l'endommager.

Cependant, lorsque la glace devient très épaisse sur la doublure intérieure, le dégivrage complet doit être effectué comme suit :

- retirez la fiche de la prise ;
- retirez tous les aliments conservés, enveloppez-les dans plusieurs couches de papier journal et mettez-les dans un endroit frais ;
- maintenez la porte ouverte et placez une cuvette sous l'appareil pour recueillir l'eau de dégivrage ;
- lorsque le dégivrage est terminé, séchez soigneusement l'intérieur ;
- remplacez la fiche dans la prise de courant pour faire fonctionner à nouveau l'appareil.

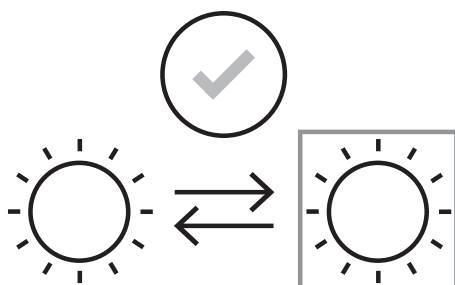
Remplacement de la lampe

Ce produit contient une source lumineuse exemptée de classe d'efficacité énergétique.

La source lumineuse de ce produit peut être remplacée par l'utilisateur final.

Veillez débrancher l'appareil avant toute opération de changement de source lumineuse.

Il convient de retirer la source lumineuse à la fin de la vie utile du produit, le tri et le recyclage étant effectués séparément.



Dépannage



ATTENTION

Avant le dépannage, débranchez l'appareil du secteur. Seul un électricien qualifié ou une personne compétente est autorisé à effectuer des interventions sur l'appareil qui ne sont pas indiquées dans ce manuel d'utilisateur.



IMPORTANT

Bruit anormal pendant l'utilisation (compresseur, circulation du fluide frigorigène).

Problème	Cause possible	Solution
L'appareil ne fonctionne pas.	<ul style="list-style-type: none"> • Le thermostat est réglé sur le nombre « 0 ». • La fiche n'est pas branchée ou est desserrée. • Le fusible a sauté ou est défectueux. • Le fusible a sauté ou est défectueux. 	<ul style="list-style-type: none"> • Réglez le thermostat sur un autre numéro pour allumer l'appareil. • Branchez la fiche. • Vérifiez le fusible, remplacez-le si nécessaire. • Vérifiez le fusible, remplacez-le si nécessaire.
Les aliments ne sont pas assez froids.	<ul style="list-style-type: none"> • La température n'est pas correctement réglée. • La porte est restée ouverte pendant une période prolongée. • Une grande quantité d'aliments chauds a été placée dans l'appareil au cours des dernières 24 heures. • L'appareil est à proximité d'une source de chaleur. 	<ul style="list-style-type: none"> • Veuillez abaisser la température initiale. • N'ouvrez pas la porte plus longtemps que nécessaire. • Réglez temporairement la température sur une position plus froide. • Veuillez vous référer au paragraphe Emplacement d'installation.

Problème	Cause possible	Solution
L'appareil refroidit trop.	<ul style="list-style-type: none">• Le thermostat a été réglé sur une température trop froide.	<ul style="list-style-type: none">• Tournez le thermostat temporairement sur une position plus chaude.
Bruits inhabituels.	<ul style="list-style-type: none">• L'appareil n'est pas horizontal.• L'appareil touche le mur ou d'autres objets.• Un composant à l'arrière de l'appareil, un tuyau par exemple, touche une autre pièce de l'appareil ou le mur.	<ul style="list-style-type: none">• Réajustez les pieds.• Déplacez légèrement l'appareil.• Si nécessaire, pliez avec soin le composant pour l'éloigner.
Flaque d'eau sur le sol.	<ul style="list-style-type: none">• L'orifice d'évacuation d'eau est obstrué.	<ul style="list-style-type: none">• Voir la section Nettoyage.
Le panneau latéral est chaud.	<ul style="list-style-type: none">• Le condenseur est à l'intérieur du panneau.	<ul style="list-style-type: none">• C'est normal.



Bedankt!

Proficiat met uw keuze voor een product van HIGHONE. De selectie en de testen van de toestellen van HIGHONE gebeuren volledig onder controle en supervisie van ELECTRO DEPOT. We staan garant voor de kwaliteit van de toestellen van HIGHONE, die uitmunten in hun eenvoudig gebruik, hun betrouwbare werking en hun onberispelijke kwaliteit.

ELECTRO DEPOT beveelt de HIGHONE toestellen aan en is ervan overtuigd dat u uiterst tevreden zal zijn bij elk gebruik van het toestel. Welkom bij ELECTRO DEPOT.

Bezoek onze website: www.electrodepot.be



A

Overzicht van het toestel

Gebruiks- en omgevingstemperatuur
Instellen van de thermostaat
Overzicht

B

Gebruik van het toestel

Installatie
Dagelijks gebruik

C

Reiniging en onderhoud

Reinigen
De vriezer ontdooien
De lamp vervangen
Probleemoplossing

Gebruiks- en omgevingstemperatuur

We raden aan om de klassieke klimaatklassen die aangeduid worden op de productfiche en op het typeplaatje te respecteren, hierdoor kunt u nagaan binnen welk omgevingstemperatuurbereik het toestel kan worden gebruikt:

- SN : Tussen 10 en 32°C
- N : Tussen 16 en 32°C
- ST : Tussen 16 en 38°C
- T : Tussen 16 en 43°C

Een toestel met multiklassen kan de laagste en hoogste temperatuur van alle gedekte klassen bereiken. Het gebruik van het toestel buiten dit omgevingstemperatuurbereik tast de prestaties en de levensduur van het toestel aan.

Instellen van de thermostaat

Voor een optimaal gebruik en energiebesparing, raden we aan de thermostaat van het toestel te regelen volgens de omgevingstemperatuur waarin het toestel gebruikt wordt onder voorbehoud van het naleven van de klimaatklasse(n).

Raadpleeg het productinformatieblad om de klimaatklasse te kennen die verbonden is aan de minimale en maximale omgevingstemperaturen aangepast aan het toestel, en voor de aanbevolen temperatuurinstelling voor een optimale opslag van de voedingswaren.

De graden van de omgevingstemperatuur T° C worden ter informatie gegeven.

De plaatsing in de ruimte, de frequentie van het openen van de deur(en) of de mate waarin het toestel met voedingsmiddelen is gevuld, kunnen de voormelde posities beïnvloeden.

De positie(s) van de thermostaat (thermostaten) kan (kunnen) worden aangepast om deze factoren te compenseren.

Voorbeelden van de ruimte waarin het toestel wordt gebruikt:

- Ruimte die niet verwarmd wordt in de winter, zoals een garage in een koude streek.
- Leefruimte die normaal verwarmd wordt, zoals een keuken.
- Ruimte zonder airco in de zomer in een warme streek.

Overzicht

A Vriesvak

B Thermostaat en licht

C Glazen schappen

D Groenteladedeksel

E Groentelade

F Balkonvakken

Deze illustratie dient uitsluitend voor de beeldvorming; voor details controleert u het apparaat.

Plaatsing

Plaats dit apparaat op een plaats waar de omgevingstemperatuur overeenkomt met de op het typeplaatje van het apparaat aangegeven klimaatklasse:

voor koelapparaten met klimaatklasse:

- uitgebreide temperatuur: dit koelapparaat is bedoeld om te worden gebruikt bij omgevingstemperaturen tussen 10 °C en 32 °C; (SN)
- normale temperatuur: dit koelapparaat is bedoeld om te worden gebruikt bij omgevingstemperaturen tussen 16 °C en 32 °C; (N)
- subtropisch: dit koelapparaat is bedoeld om te worden gebruikt bij omgevingstemperaturen tussen 16 °C en 38 °C; (ST)
- tropisch: dit koelapparaat is bedoeld om te worden gebruikt bij omgevingstemperaturen tussen 16 °C en 43 °C; (T)

Locatie

Het apparaat moet op ruime afstand van warmtebronnen zoals radiatoren, boilers, direct zonlicht, etc. worden geplaatst. Voor een optimale werking moet, als het apparaat onder een overhangend wandmeubel wordt geplaatst, de minimale afstand tussen de bovenkant van de koelkast en het wandmeubel ten minste 50 mm bedragen. Idealiter wordt het apparaat echter niet onder overhangende wandmeubels geplaatst. Het nauwkeurig waterpas stellen wordt gerealiseerd door een of meer verstelbare voeten onder de koelkast.

Dit koelapparaat is niet bedoeld om te worden gebruikt als inbouwapparaat;

**LET OP**

Het apparaat moet van het stroomnet kunnen worden losgekoppeld; de stekker moet daarom na de plaatsing gemakkelijk bereikbaar zijn.

Elektrische aansluiting

Controleer voor het aansluiten of de spanning en de frequentie op het typeplaatje overeenkomen met de stroomvoorziening in uw huis. Het apparaat moet worden geaard. De stekker van de voedingskabel is hiervoor voorzien van een contact. Als het stopcontact voor de huishoudelijke stroomvoorziening niet geaard is, sluit u het apparaat aan op een aparte aarding in overeenstemming met de huidige regelgeving, in overleg met een gekwalificeerd elektricien. De fabrikant accepteert geen enkele verantwoordelijkheid als de bovenstaande voorzorgsmaatregelen niet in acht worden genomen. De apparaat voldoet aan de EEC-Richtlijnen.

Installatie

Deur omdraaien

Benodigd gereedschap: Philips-schroevendraaier, platte schroevendraaier, zeskantsleutel.

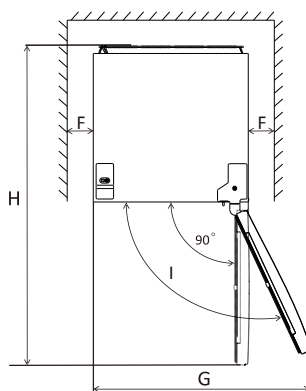
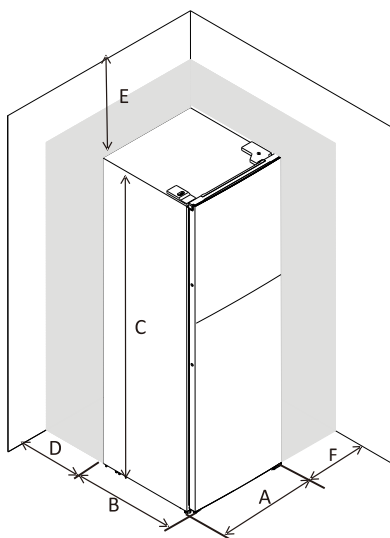
- Zorg ervoor dat het apparaat is losgekoppeld en leeg is.
- Om de deur eruit te halen is het noodzakelijk de unit naar achteren te kiepen. U dient de unit op een stevig object te laten leunen zodat deze niet wegglijdt tijdens de procedure om de deur om te draaien.
- Alle verwijderde onderdelen moeten worden bewaard om de deur weer te kunnen monteren.
- Leg het apparaat niet plat, omdat dit het koelsysteem kan beschadigen.
- Het is beter om de deur met 2 mensen om te draaien.

- 1 Verwijder de bovenste scharnier-afdekking voorzichtig met een platte schroevendraaier.
- 2 Schroef het bovenste scharnier los met een Philips-schroevendraaier.
- 3 Verwijder de afdekking van de holte met een platte schroevendraaier.
- 4 Beweeg de gat-afdekking van de linkerzijde naar de rechterzijde, til vervolgens de bovenste deur op en plaats deze op een zachte ondergrond om te beschermen tegen krassen.
- 5 Schroef het middelste scharnier los en til vervolgens de onderste deur op en plaats deze op een zachte ondergrond om krassen te voorkomen.
- 6 Beweeg de twee middelste gat-afdekkingen van links naar rechts.
- 7 Leg de achterzijde van de kast neer op een zachte doek en schroef het onderste scharnier en de steloot los.
- 8 Schroef de onderste scharnierpen los en verwijder deze, draai de klem om en vervang deze.
- 9 Plaats het scharnier aan de linkerzijde en de poot aan de rechterzijde. Schroef vervolgens de twee stelooten vast met hun originele onderdelen.
- 10 Beweeg de twee middelste gat-afdekkingen van links naar rechts.
- 11 Zet de unit rechtop de plaats de deur op het onderste scharnier. Zorg ervoor dat het onderste scharnier-gat is ingestoken in het deurgat. Beweeg vervolgens het scharnier-gat van de onderste deur van de linkerzijde naar de rechterzijde.

- 12 Plaats het middelste scharnier.
- 13 Klik de scharnier-afdekking en de gat-afdekking in aan de bovenzijde van de unit.
- 14 Fit the hinge cover and the hole cover over the appliance.
- 15 Maak de deurafdichtingen van de koelkast en de vrieskast los en bevestig ze vervolgens nadat ze zijn omgedraaid.

Ruimtevereisten

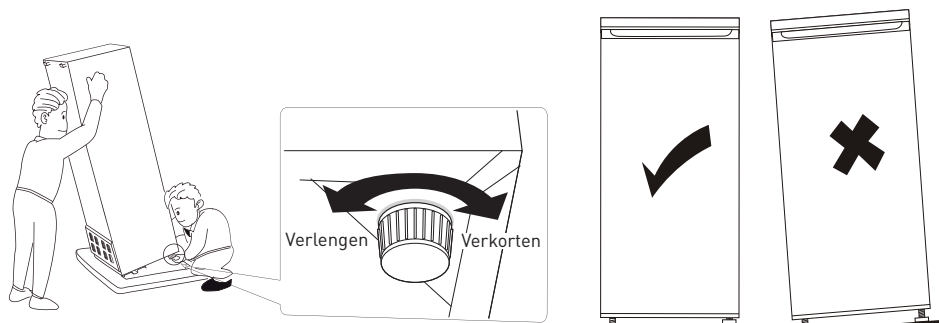
- Zorg voor voldoende ruimten om de deur te kunnen openen.



A	545
B	555
C	1430
D	min=50
E	min=50
F	min=50
G	1090
H	1110
I	135°

Het apparaat waterpas stellen

Om dit te doen stelt u de twee verstelbare voeten aan de voorkant van het apparaat af. Als de unit niet waterpas staat, zullen de deuren en de magnetische afsluit-uitlijning niet correct zijn afgedekt.



Dagelijks gebruik

Eerste gebruik

De binnenkant reinigen

Voordat u het apparaat voor het eerst gebruikt reinigt u de binnenkant en alle interne accessoires met lauw water en wat neutrale zeep om de typische geur van een gloednieuw product te verwijderen. Droog het apparaat vervolgens grondig.

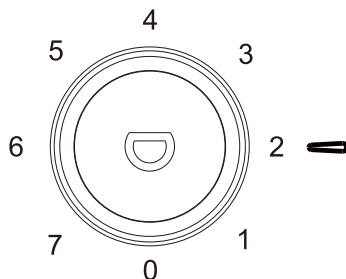


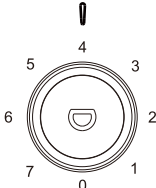
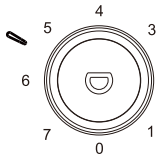
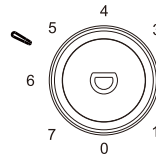
Belangrijk!

Gebruik geen schoonmaakmiddelen of schuurpoeders omdat deze de afwerking zullen beschadigen.

Temperatuurinstelling

- Steek uw apparaat in het stopcontact. De interne temperatuur wordt bestuurd door een thermostaat. Er zijn 8 instellingen. 1 is de warmste instelling en 7 is de koudste instelling; indien ingesteld op 0 is het apparaat uitgeschakeld.
- Wanneer ingesteld op max, stopt de compressor niet.
- Het is mogelijk dat het apparaat niet op de juiste temperatuur werkt als het in een bijzonder warme omgeving staat of als u de deur vaak opent.



Omgevingstemperatuur	16°C	25°C	32°C
Koelkast			
Diepvries	N.v.t	N.v.t	N.v.t

Dagelijks gebruik

Plaats verschillend voedsel in verschillende compartimenten volgens de onderstaande tabel

Koelcompartimenten	Soort voedsel
Het apparaat functioneert niet.	<ul style="list-style-type: none"> Voedsel met natuurlijke conserveringsmiddelen, zoals jams, sappen, dranken, specerijen. Bewaar geen bederfelijk voedsel.
Groentelade (salade-lade)	<ul style="list-style-type: none"> Fruit, kruiden en groenten dienen apart te worden geplaatst in de groentebak. Bewaar geen bananen, uien, aardappels of knoflook in de koelkast.
Koelkast schap – midden	<ul style="list-style-type: none"> Melkproducten, eieren
Koelkast schap – bovenkant	<ul style="list-style-type: none"> Voedsel dat niet hoeft te worden gekookt, zoals kant-en-klare maaltijden, fijne vleeswaren, restjes.
Vrieslade(s)/schap	<ul style="list-style-type: none"> Voedsel voor langdurig bewaren. Onderste lade/schap voor rauw vlees, gevogelte, vis. Middelste lade/schap voor diepgevroren groenten, aardappelen. Bovenste lade/schap voor ijs, diepgevroren fruit, diepgevroren gebak.

Impact op voedsel bewaren

- Volgens de aanbevolen instelling is de beste bewaartijd van de koelkast niet langer dan 3 dagen.
- Volgens de aanbevolen instelling is de beste bewaartijd van de vriezer niet langer dan 1 maand.
- De beste bewaartijd kan verminderen bij andere instellingen.

Vers voedsel invriezen

- Het vriesvak is geschikt voor het invriezen van vers voedsel en het langdurig bewaren van bevroren en diepgevroren voedsel.
- Plaats het verse voedsel om in te vriezen in het vriescompartiment.
- De maximale hoeveelheid voedsel die in 24 uur kan worden ingevroren, staat vermeld op het typeplaatje.

- Het invriesproces duurt 24 uur voeg in deze periode geen ander in te vriezen voedsel toe.

Bevroren voedsel bewaren

Laat het apparaat voor het eerste gebruik of na een periode van buitengebruikstelling minstens 2 uur draaien op de hogere instellingen voordat u het product in het compartiment.



Belangrijk!

Voor het geval van per ongeluk ontdooien, bijvoorbeeld als de stroom is uitgevallen langer dan de waarde weergegeven in de technische kenmerken-tabel onder stijgingstijd. Het ontdoode voedsel moet snel worden geconsumeerd of onmiddellijk gekookt en vervolgens opnieuw worden ingevroren (na te zijn gekookt).

Ontdooien

Diepgevroren of bevroren voedsel kan, voorafgaand aan het gebruik, worden ontdooid in het koelkastcompartiment of op kamertemperatuur, afhankelijk van de tijd die beschikbaar is voor deze handeling.

Kleine delen kunnen zelfs worden afgekoeld terwijl ze nog steeds bevroren zijn direct uit de vriezer. In dat geval duurt het koelen langer.

Ijsblokjeset

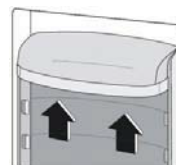
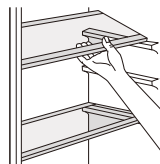
Dit apparaat kan zijn uitgerust met een of meer ijsblokjesets om ijs te maken.

Accessoires beweegbare schappen

De wanden van de koelkast zijn voorzien van een serie rails, zodat de schappen naar wens kunnen worden geplaatst.

Deurrekken plaatsen

Om de opslag van voedsel van verschillende afmetingen mogelijk te maken kunnen de deurrekken op verschillende hoogtes worden geplaatst. Om deze aanpassingen uit te voeren gaat u als volgt te werk) trek de deurrek geleidelijk in de richting van de pijlen tot het los komt en verplaats deze vervolgens naar wens.



Handige tips

Om u te helpen om het vriesproces optimaal te benutten zijn hier enkele belangrijke tips)

- De / maximale hoeveelheid voedsel die in 24 uur kan worden ingevroren staat op het typeplaatje.
- Het invriesproces duurt 24 uur. Voeg in deze periode geen ander in te vriezen voedsel toe.
- vries uitsluitend topkwaliteit vers en grondig gereinigd voedsel in
- Bereid het voedsel in kleine porties voor, zodat het snel en volledig kan worden ingevroren en vervolgens alleen de benodigde / hoeveelheid kan worden ontdooid.

- Wikkel het voedsel in aluminiumfolie of polyethyleen en zorg ervoor dat de verpakkingen luchtdicht zijn.
- Laat vers niet-bevroren voedsel niet in aanraking komen met reeds bevroren voedsel om te voorkomen dat de temperatuur van het reeds bevroren voedsel stijgt.
- Mager voedsel is beter en langer houdbaar dan vet voedsel; Zout vermindert de houdbaarheid van voedsel.
- Waterijs, indien het direct na verwijdering uit het vriesvak wordt geconsumeerd, kan mogelijk de huid bevriezen.
- het wordt aanbevolen om de invriesdatum op ieder individueel pakje te tonen, om u in staat te stellen dit uit het vriescompartiment te verwijderen; dit kan mogelijk tot brandwonden aan de huid door bevroering leiden;
- Het is raadzaam om de invriesdatum op elke individuele verpakking te vermelden, zodat u de bewaartijd in de gaten kunt houden.

Tips voor het bewaren van bevroren voedsel

Om de beste prestaties uit dit apparaat te halen moet u)

- Ervoor te zorgen dat het commercieel ingevroren voedsel adequaat door de detailhandelaar adequaat worden opgeslagen.
- Ervoor zorgen dat het bevroren voedsel zo snel mogelijk in het vriesvak wordt geplaatst.
- De deur niet te vaak openen of langer dan noodzakelijk open laten staan.
- eenmaal ontdooid voedsel neemt snel in kwaliteit af en kan niet opnieuw worden ingevroren;
- De bewaardatum van de fabrikant van het voedsel niet overschrijden.

Tips voor het koelen van vers voedsel

Om de beste prestaties uit dit apparaat te halen, moet u:

- Geen warm voedsel of verdampende vloeistoffen in de koelkast bewaren
- Dek voedsel af of wikkel het in, vooral als het een sterke geur heeft
- Merk (alle soorten): in polyethyleen zakken wikkelen en op de glazen planken boven de groentelade leggen.
- Voor uw veiligheid kunt u voedsel op deze manier slechts één of maximaal twee dagen bewaren.
- Gekookt voedsel, koude schotels, etc.; deze moeten worden afgedekt en kunnen op elke plank worden geplaatst.
- Groenten en fruit) deze dienen grondig te worden gereinigd en in de daarvoor bestemde speciale lade(s) te worden geplaatst.
- Boter en kaas) deze moeten in speciale luchtdichte verpakkingen worden geplaatst of in aluminiumfolie of polyethyleen zakken worden gewikkeld om zoveel mogelijk lucht uit te sluiten.
- Melkfles: deze moet een dop hebben en moet worden bewaard in de deurrekken.
- Bananen, aardappelen uien en knoflook, indien niet verpakt, mogen niet in de koelkast worden bewaard.

Reinigen

Om hygiënische redenen moet de binnenkant van het apparaat, inclusief de interne accessoires, regelmatig worden gereinigd.



VOORZICHTIG!

Het apparaat mag tijdens de reiniging niet op het stroomnet zijn aangesloten. Gevaar voor een elektrische schok! Schakel het apparaat uit en trek de stekker uit het stopcontact of schakel de stroomonderbreker of zekering uit voordat u het apparaat reinigt. Reinig het apparaat nooit met een stoomreiniger. Vocht kan zich ophopen in elektrische onderdelen en een gevaar voor een elektrische schok veroorzaken! Hete dampen kunnen leiden tot beschadiging van kunststof onderdelen. Het apparaat moet droog zijn voordat het weer in gebruik wordt genomen.

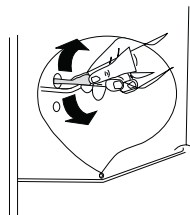


BELANGRIJK!

Etherische oliën en organische oplosmiddelen! kunnen kunststof onderdelen aantasten, bijvoorbeeld citroensap of het sap van sinaasappelschillen, boterzuur, reinigingsmiddel dat azijnzuur bevat.

Afvoergat reinigen

Om te voorkomen dat het ontdooiingswater overloopt in de koelkast reinigt u van tijd tot tijd het afvoergat aan de achterzijde van het koelkastcompartiment. Gebruik een reiniger om het gat te reinigen zoals weergegeven in de rechter afbeelding.



- Vermijd dat dergelijke stoffen in contact komen met de onderdelen van het apparaat.
- Gebruik geen schurende reinigingsmiddelen.
- Haal het voedsel uit de vriezer. Bewaar het voedsel op een koele goed afgekte plaats.
- Schakel het apparaat uit en trek de stekker uit het stopcontact of schakel de stroomonderbreker of zekering uit.

- Reinig het apparaat en de interne accessoires met een doek en lauw water. Na het reinigen afvegen met vers water en droogwrijven.
- Nadat alles droog is, kunt u het apparaat weer in gebruik nemen.

De vriezer ontdooien

Het vriescompartiment raakt echter in de loop der tijd bedekt met rijp. Dit dient te worden verwijderd. Gebruik geen scherp metalen gereedschap om de rijp af te schrapen van de verdamper omdat deze hierdoor beschadigd kan raken.

Als het ijs echter zeer dik wordt aan de binnenkant moet het volledig ontdooien worden uitgevoerd als volgt:

- neem de stekker uit het stopcontact;
- verwijder al het bewaarde voedsel, wikkel het in verschillende lagen kranten en plaats dit in een koele ruimte;
- houd de deur open en plaats een bak om het apparaat om het ontdooiingswater op te vangen;
- als het ontdooien voltooid is, droogt u de binnenzijde grondig;
- stop de stekker weer in het stopcontact om het apparaat weer te laten draaien.

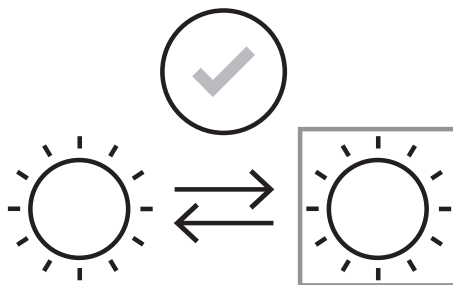
De lamp vervangen

Dit product bevat een lichtbron die is vrijgesteld van energieefficiëntieklasse.

De lichtbron in dit product kan door de eindgebruiker worden vervangen.

Haal de stekker uit het stopcontact voordat u de lichtbron verandert.

De lichtbron moet aan het einde van de gebruiksduur van het product worden verwijderd, waarbij de sortering en recycling afzonderlijk worden uitgevoerd.



Probleemoplossing



VOORZICHTIG!

Voordat u problemen oplost dient u de stroomtoevoer te onderbreken. Alleen een gekwalificeerde elektricien of een bevoegd persoon mag problemen oplossen die niet in deze handleiding staan vermeld.



Belangrijk!

Er klinken sommige geluiden tijdens het normale gebruik; dit komt door de circulatie van de koelvloeistof in de compressor.

Probleem	Mogelijke oorzaak	Oplossing
Het apparaat werkt niet.	<ul style="list-style-type: none"> • Regelknop temperatuur staat ingesteld op cijfer "0". • De stekker zit niet in het stopcontact of zit los. • De zekering is doorgebrand of defect. • De zekering is doorgebrand of defect. 	<ul style="list-style-type: none"> • Stel de knop in op een ander getal om het apparaat aan te schakelen. • Steek de stekker in het stopcontact. • Controleer de zekering vervang deze indien nodig. • Controleer de zekering vervang deze indien nodig.
Het voedsel is te warm.	<ul style="list-style-type: none"> • De temperatuur is niet goed ingesteld. • De deur stond voor langere tijd open. • In de afgelopen 24 uur is een grote hoeveelheid warm voedsel in het apparaat geplaatst. • Het apparaat staat in de buurt van een warmtebron. 	<ul style="list-style-type: none"> • Kijk bij de initiële temperatuur. • Open de deur zo kort mogelijk. • Zet de temperatuurregeling tijdelijk op een koudere stand. • Kijk in het hoofdstuk over de plaatsingslocatie.

Probleem	Mogelijke oorzaak	Oplossing
Apparaat koelt teveel	<ul style="list-style-type: none"> • Temperatuur is te koud ingesteld. 	<ul style="list-style-type: none"> • Draai de regelknop temperatuur tijdelijk naar een warmere instelling.
Ongebruikelijk lawaai.	<ul style="list-style-type: none"> • Het apparaat staat niet waterpast. • Het apparaat raakt de muur of andere voorwerpen. • Een onderdeel, bijvoorbeeld een buis, aan de achterkant van het apparaat raakt een ander deel van het apparaat of de muur. 	<ul style="list-style-type: none"> • Stel de verstelbare voeten opnieuw af. • Verplaats het apparaat een klein stukje. • Indien nodig buig het onderdeel voorzichtig uit de weg.
Water op de vloer	<ul style="list-style-type: none"> • Afvoergat water is geblokkeerd. 	<ul style="list-style-type: none"> • Zie de paragraaf Reiniging.
Zijpaneel is heet	<ul style="list-style-type: none"> • Condensator bevindt zich in het paneel. 	<ul style="list-style-type: none"> • Dit is normaal.

¡Muchas gracias!

Muchas gracias por haber elegido nuestro producto HIGHONE. Seleccionados, testados y recomendados por ELECTRO DEPOT, los productos de la marca HIGHONE le aseguran una utilización sencilla, un rendimiento fiable y una calidad incuestionable.

Con este dispositivo puede estar seguro de que siempre quedará satisfecho al utilizarlo. Le damos la bienvenida a ELECTRO DEPOT.

Visite nuestra página web: www.electrodepot.es



ELECTRO DEPOT

A

Descripción del aparato

Temperaturas ambientales de uso
Ajuste del termostato
Descripción

B

Utilización del aparato

Instalación
Uso diario

C

Limpieza y mantenimiento

Limpieza
Descongelación del congelador
Sustitución de la bombilla
Solución de problemas

Temperaturas ambientales de uso

Se recomienda respetar las clases climáticas indicadas en la ficha de producto sobre la placa de características del aparato. Esto le permitirá comprobar en qué rangos de temperatura ambiente se puede usar el aparato:

- SN : Entre 10 y 32°C
- N : Entre 16 y 32°C
- ST : Entre 16 y 38°C
- T : Entre 16 y 43°C

Un aparato de multiclase puede controlar la temperatura más baja y la más alta de todas las clases cubiertas. El uso del aparato fuera del rango de temperatura ambiente puede afectar al rendimiento y a la vida útil del aparato.

Ajuste del termostato

Para ahorrar energía y conseguir un uso óptimo, se recomienda ajustar el/los termostato(s) del aparato según la temperatura ambiente de la habitación en la que se esté usando, respetando la(s) clase(s) climática(s).

Por favor, remítase a la ficha de datos del producto para consultar la clase de clima asociada a las temperaturas ambiente mínimas y máximas adecuadas para el dispositivo y el ajuste de temperatura recomendado para el almacenamiento óptimo de los alimentos.

Los grados de temperaturas ambientes T°C se dan a título indicativo.

La colocación en la habitación, la frecuencia de apertura de puerta(s) o incluso el nivel de carga de productos alimenticios del aparato pueden influir en las posiciones indicadas.

La o las posición(es) del/de los termostato(s) puede(n) modificarse para compensar estos factores.

Ejemplos de habitaciones de uso:

- Habitación no calefactada en invierno como por ejemplo un garaje en una región fría.
- Habitación habitable con calefacción como por ejemplo una cocina.
- Habitación sin aire acondicionado en verano en una región cálida.

Descripción

A Estante del congelador

D Tapa del cajón para verduras

B Termostato y luz

E Cajón para verduras

C Estantes de vidrio

F Estantes de la puerta

Esta imagen es solo una sugerencia; para obtener más detalles compruebe su aparato.

Ubicación

Instale este electrodoméstico en un lugar en el que la temperatura ambiente se corresponda con la clase climática indicada en la placa de características del electrodoméstico:

Para aparatos de refrigeración con clase climática:

- templado ampliado: este aparato de refrigeración está diseñado para su uso con temperaturas ambientales de 10 °C a 32 °C; (SN)
- templado: este aparato de refrigeración está diseñado para su uso con temperaturas ambientales de 16 °C a 32 °C; (N)
- subtropical: este aparato de refrigeración está diseñado para su uso con temperaturas ambientales de 16 °C a 38 °C; (ST)
- tropical: este aparato de refrigeración está diseñado para su uso con temperaturas ambientales de 16 °C a 43 °C. (T)

Localización

El electrodoméstico desde instalarse alejado de fuentes de calor como radiadores, calderas, luz solar directa, etc. Asegúrese de que el aire puede circular libremente por la parte trasera del mueble. Si el electrodoméstico está situado debajo de un módulo mural sobresaliente, la distancia mínima entre la parte superior del mueble y el módulo mural debe ser de al menos 50 mm, para garantizar el mejor rendimiento. Sin embargo, se recomienda que el electrodoméstico no se sitúe debajo de módulos murales sobresalientes. El uso de una o más patas regulables en la base del mueble garantizan un nivelado preciso.

Este aparato refrigerador no se ha diseñado para usarlo como un aparato encastrable.

**ATENCIÓN**

Es necesario que el electrodoméstico pueda desconectarse de la red eléctrica principal, por lo que es necesario tener un fácil acceso al enchufe tras la instalación.

Conexión eléctrica

Antes de enchufarlo, asegúrese de que la tensión y la frecuencia de la placa de características se corresponden con su suministro eléctrico doméstico. El electrodoméstico debe estar conectado a tierra. El enchufe del cable de suministro eléctrico cuenta con un contacto para esta finalidad. Si el enchufe de la fuente de alimentación doméstica no está conectado a tierra, conecte el aparato a una conexión a tierra independiente de acuerdo con las normativas actuales tras consultar con un electricista cualificado.

El fabricante declina toda responsabilidad si no se toman las precauciones de seguridad anteriormente indicadas. Este aparato cumple con las directivas de la CEE.

Instalación

Cambio del sentido de apertura de las puertas

Herramientas necesarias: destornillador de estrella, destornillador de punta plana y llave Allen.

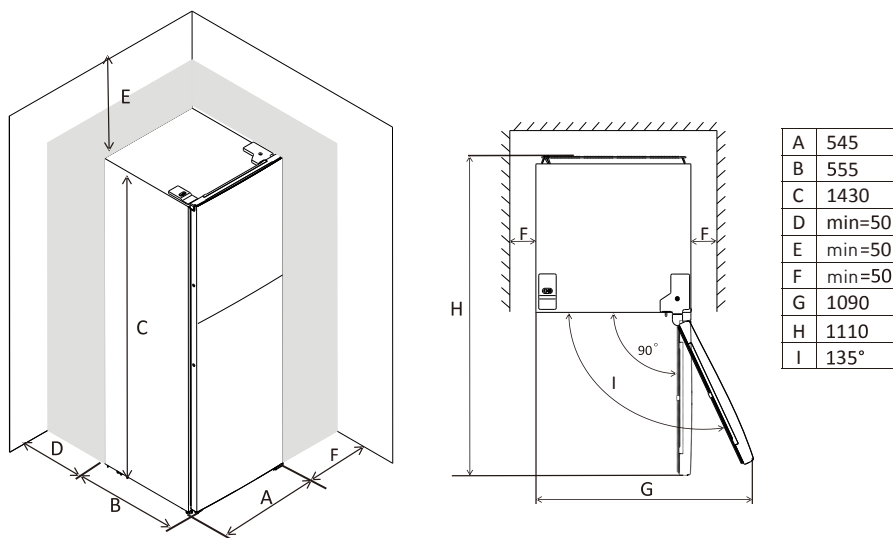
- Asegúrese de que la unidad esté desenchufada y vacía.
- Para sacar la puerta es necesario inclinar la unidad hacia atrás. Debe apoyar la unidad sobre un elemento firme, de modo que no se deslice durante el proceso de cambio de sentido de apertura de la puerta.
- Todas las piezas desmontadas deben guardarse para volver a instalar las puertas.
- No coloque la unidad de forma horizontal, ya que puede dañar el sistema de refrigeración.
- Es preferible que dos personas sujeten la unidad durante el montaje.

- 1 Retire cuidadosamente la tapa de la bisagra superior con un destornillador plano.
- 2 Desatornille la bisagra superior con un destornillador de estrella.
- 3 Retire la tapa del orificio con un destornillador.
- 4 Desplace la tapa principal del lado izquierdo al lado derecho y después levante la puerta superior colocándola en una superficie acolchada para evitar que se arañe.
- 5 Desatornille la bisagra central y después levante la puerta inferior y póngala sobre un cojín suave para evitar que se arañe.
- 6 Desplace las tapas de los orificios centrales de izquierda a derecha.
- 7 Tumbé la unidad, coloque la parte trasera del mueble en un cojín suave y desatornille la bisagra inferior y las patas ajustables.
- 8 Desatornille y retire el eje de la bisagra inferior, gire el soporte y reemplácelo.
- 9 Instale la bisagra en el lado izquierdo y la base en el lado derecho. Después, atornille las dos patas ajustables con sus piezas originales.
- 10 Desplace las tapas de los orificios centrales de izquierda a derecha.
- 11 Levante la unidad y ponga la puerta en la bisagra inferior. Asegúrese de que la bisagra principal inferior se introduzca en el orificio de la puerta. Después desplace la tapa del orificio de la bisagra de la puerta inferior del lado izquierdo al lado derecho.
- 12 Instale la bisagra central.

- 13 Instale la puerta superior con la bisagra superior.
- 14 Coloque la tapa de la bisagra y la tapa del orificio en la parte superior de la unidad.
- 15 Desmonte las juntas de la puerta de la nevera y del congelador y luego móntelas de nuevo tras el cambio.

Espacio necesario

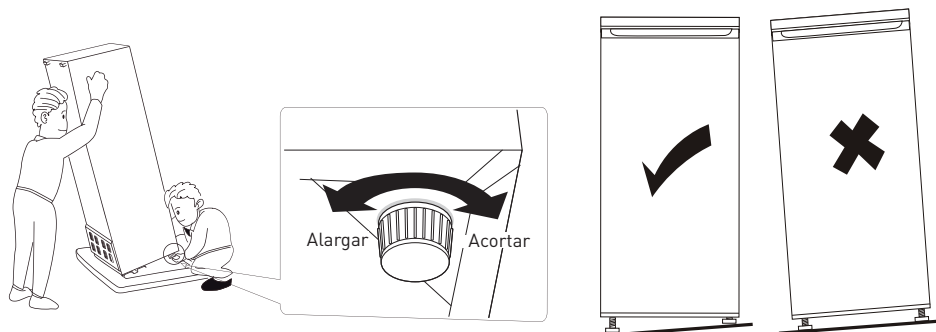
- Deje espacio suficiente para abrir la puerta.



Nivelar la unidad

Para ello, debe regular las dos patas niveladoras delanteras de la unidad.

Si la unidad no está nivelada, las puertas y las juntas magnéticas alineadas no quedarán debidamente cerradas.



Uso diario

Primer uso

Limpiar el interior

Antes de usar el electrodoméstico por primera vez, lave el interior y todos los accesorios internos con agua templada y jabón neutro para eliminar el típico olor de los productos nuevos y séquelo completamente.

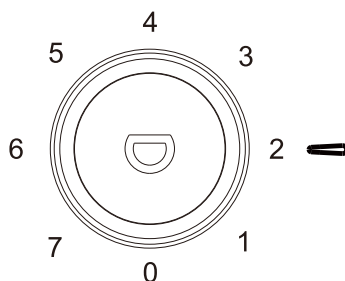


¡Importante!

No use detergentes o polvos abrasivos que estropearán el acabado.

Ajuste de la temperatura

- Enchufe el aparato. Hay un termostato que controla la temperatura interna. Hay 8 opciones. 1 es la opción más templada y 7, la más fría. Cuando se sitúa en 0, el aparato se apaga.
- Cuando se selecciona la opción de máxima temperatura, el compresor no se detiene.
- El electrodoméstico puede que no funcione a la temperatura correcta si se encuentra en un lugar especialmente cálido o si abre la puerta con frecuencia.



Temperatura ambiente	16°C	25°C	32°C
Frigorífico			
Congelador	N/A	N/A	N/A

Uso diario

Coloque los distintos alimentos en los diferentes compartimentos de acuerdo con la tabla siguiente.

Compartimentos del refrigerador	Tipo de comida
El aparato no funciona.	<ul style="list-style-type: none"> Alimentos con conservantes naturales, como mermeladas, zumos, bebidas y condimentos. No guarde alimentos perecederos.
Cajón para verduras	<ul style="list-style-type: none"> Las frutas, las hierbas y las verduras deben colocarse por separado en el recipiente para verduras. No guarde plátanos, cebollas, patatas ni ajos en la nevera.
Estante de la nevera; central	<ul style="list-style-type: none"> Productos lácteos y huevos
Estante de la nevera; superior	<ul style="list-style-type: none"> Alimentos que no necesiten cocinarse, como alimentos listos para el consumo, fiambres y restos de comida.
Cajón(es)/estante del congelador	<ul style="list-style-type: none"> Alimentos para su almacenamiento durante un largo periodo. Cajón/estante inferior para carne cruda, aves y pescado. Cajón/estante central para verduras congeladas y patatas fritas. Cajón/estante superior para helados, fruta congelada y productos horneados congelados.

Impacto en el almacenamiento de alimentos

- De acuerdo con la configuración recomendada, el tiempo de almacenamiento ideal en la nevera es de no más de tres días.
- De acuerdo con la configuración recomendada, el tiempo de almacenamiento ideal en el congelador es de no más de un mes.
- El tiempo de almacenamiento ideal puede verse reducido de acuerdo con otros ajustes.

Congelar alimentos frescos

- El congelador es adecuado para congelar alimentos frescos y guardar alimentos congelados y ultracongelados durante mucho tiempo.
- Coloque los alimentos frescos que desee congelar en el compartimento del congelador.
- En la placa de características se especifica la cantidad máxima de alimentos que pueden congelarse en 24 horas.
- El proceso de congelación dura 24 horas: durante este periodo no añada otros alimentos para congelarlos.

Guardar alimentos congelados

Cuando lo encienda por primera vez o tras un periodo sin usarlo, deje el electrodoméstico en funcionamiento durante al menos dos horas en los niveles más altos de la configuración antes de poner productos en los compartimentos.



¡Importante!

En caso de que se produzca una descongelación accidental si, por ejemplo, la corriente ha estado desconectada durante un tiempo superior al valor indicado en la tabla de características técnicas debajo de tiempo de subida, los alimentos descongelados deben consumirse rápidamente o cocinarse inmediatamente y luego volver a congelarse (tras cocinarlos).

Descongelación

Los alimentos congelados o ultracongelados pueden descongelarse en el frigorífico o a temperatura ambiente, según el tiempo disponible para esta operación.

Las porciones pequeñas pueden incluso refrigerarse aún congeladas directamente desde el congelador. En este caso, deberán refrigerarse durante más tiempo.

Cubo de hielo

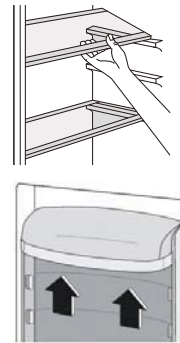
Este aparato puede estar equipado con uno o más cubos de hielo para producir hielo.

Estantes móviles accesorios

Las paredes del frigorífico están equipadas con una serie de guías para que los estantes puedan colocarse del modo deseado.

Colocación de las tapas de la puerta

Las tapas de la puerta pueden colocarse a diferentes alturas para así guardar envases de alimentos de diferentes tamaños. Para hacer estos ajustes realice lo siguiente: empuje la tapa de forma gradual en la dirección de las flechas hasta que salga y luego vuelva a colocarla donde sea necesario.



Indicaciones y consejos útiles

Para ayudarle a sacar el máximo provecho del proceso de congelación, le damos algunas indicaciones importantes:

- En la placa de características se especifica la cantidad máxima de alimentos que pueden congelarse en 24 horas.
- El proceso de congelación dura 24 horas. No se deben incorporar más alimentos para congelar durante este periodo.
- Solo congele alimentos de alta calidad, frescos y completamente limpios.
- Prepare los alimentos en pequeñas porciones para permitir que se congelen rápida y totalmente y para que pueda descongelar posteriormente solo la cantidad deseada.
- Envuelva los alimentos en papel de aluminio o polietileno para asegurarse de que estén envasados herméticamente.

- No permita que los alimentos no congelados entren en contacto con aquellos que ya lo están, evitando así una subida de temperatura de los mismos.
- Los alimentos magros se conservan mejor y durante más tiempo que los grasos y la sal reduce el tiempo de almacenamiento de los alimentos.
- Si los cubitos de hielo se consumen inmediatamente tras sacarlos del congelador, pueden provocar quemaduras en la piel a causa del frío.
- Se aconseja indicar la fecha en que se ha sacado el producto del congelador en cada envase individual para evitar las quemaduras a causa del frío.
- Se aconseja indicar la fecha de congelación en cada paquete individual para que pueda controlar el tiempo de almacenado.

Indicaciones para guardar alimentos congelados

Para conseguir el mejor rendimiento de este electrodoméstico:

- Asegúrese de que el comercio de venta almacenó de forma adecuada los alimentos congelados comercialmente.
- Asegúrese de que los alimentos congelados se trasladan de la tienda al congelador en el menor tiempo posible.
- No abra la puerta con frecuencia ni la deje abierta durante más tiempo del absolutamente necesario.
- Una vez descongelados, los alimentos se deterioran rápidamente y no pueden volver a congelarse.
- No exceda el periodo de almacenamiento que haya indicado el fabricante.

Indicaciones para la refrigeración de alimentos frescos

Para conseguir el mejor rendimiento:

- No guarde alimentos calientes o líquidos en evaporación en el frigorífico.
- No tape o envuelva los alimentos, en especial si tienen un olor fuerte.
- Alimentos preparados (todos los tipos): envuélvalos en bolsas de polietileno y colóquelos en los estantes de cristal encima del cajón de las verduras.
- Por seguridad, guárdelos así solo uno o dos días como máximo.
- Alimentos cocinados, platos fríos, etc.: deben taparse y pueden colocarse en cualquier estante.
- Frutas y verduras: debe limpiarse completamente y colocarse en el(los) cajón(es) especial(es) facilitado(s) para ello.
- Mantequilla y queso: deben colocarse en envases herméticos, envueltos en papel de aluminio o bolsas de polietileno para impedir la entrada de aire tanto como sea posible.
- Botellas de leche: deben tener un tapón y guardarse bajo las tapas de la puerta.
- Plátanos, patatas, cebollas y ajos: si no están envasados, no deben guardarse en el frigorífico.

Limpieza

Por razones higiénicas, el interior del electrodoméstico, incluidos los accesorios interiores, deben limpiarse con regularidad.



¡PRECAUCIÓN!

El electrodoméstico no debe estar conectado a la red eléctrica durante la limpieza. ¡Riesgo de descarga eléctrica!

Antes de la limpieza, apague el electrodoméstico y quite el enchufe de la red eléctrica, o bien apáguela bajando el interruptor automático o el fusible del panel eléctrico. No limpie el electrodoméstico con un limpiador de vapor, ya que podría acumularse humedad en los componentes eléctricos y habría riesgo de que se produjese una descarga eléctrica. Los vapores calientes pueden dañar las piezas de plástico. El electrodoméstico debe estar seco antes de ponerlo de nuevo en funcionamiento.

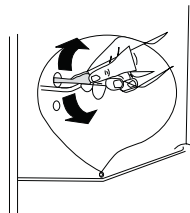


¡IMPORTANTE!

Los aceites etéreos y los solventes orgánicos pueden dañar las piezas de plástico, como, por ejemplo, el zumo de limón o el zumo de la piel de naranja, el ácido butírico o los limpiadores que contengan ácido acético.

Limpie el orificio de drenaje

Para evitar que el agua de descongelación desborde en la nevera, limpie periódicamente el orificio de drenaje en la parte trasera de la nevera. Use un limpiador para limpiar el orificio como se muestra en la imagen de la derecha.



- No permita que dichas sustancias entren en contacto con las piezas del electrodoméstico.
- No use limpiadores abrasivos.
- Saque los alimentos del congelador. Guárdelos en un lugar fresco, bien tapado.

- Apague el electrodoméstico y quite el enchufe de la red eléctrica, o bien apáguela o apague el disyuntor o el fusible del circuito.
- Limpie el electrodoméstico y los accesorios internos con un paño y agua templada. Tras la limpieza, pase una bayeta con agua y séquelo.
- Una vez que esté totalmente seco, póngalo de nuevo en funcionamiento.

Descongelación del congelador

El compartimento del congelador se irá cubriendo progresivamente de hielo, que debe retirarse. Evite usar herramientas de metal afiladas para rascar la escarcha del evaporador, ya que puede dañarlo.

No obstante, cuando haya una capa de hielo muy gruesa en el revestimiento interior, debe realizarse una descongelación completa de la siguiente manera:

- quite el enchufe de la toma de corriente;
- retire todos los alimentos almacenados, envuélvalos con diferentes capas de papel de periódico y póngalos en un lugar fresco;
- deje la puerta abierta y coloque un recipiente debajo del aparato para recoger el agua descongelada;
- cuando la descongelación se haya completado, seque el interior minuciosamente y
- vuelva a colocar el enchufe en la toma de corriente para volver a poner en marcha el aparato.

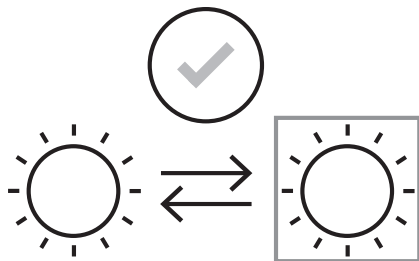
Sustitución de la bombilla

Este producto contiene una fuente luminosa exenta de la clase de eficiencia energética.

La fuente de luz de este producto puede ser reemplazada por el usuario final.

Desenchufe el aparato antes de cualquier operación de cambio de fuente de luz.

La fuente de luz debe retirarse al final de la vida útil del producto, y la clasificación y el reciclaje se deben realizar por separado.



Solución de problemas



¡PRECAUCIÓN!

Antes de solucionar algún problema, desconecte el suministro eléctrico. Solo un electricista cualificado o una persona capacitada debe solucionar los problemas que no aparezcan en este manual.



¡IMPORTANTE!

Durante el funcionamiento normal, se oirán algunos sonidos del compresor o de la circulación del refrigerante.

Problema	Causa probable	Solución
El electrodoméstico no funciona.	<ul style="list-style-type: none"> • El mando regulador de temperatura se encuentra en el número «0». • El cable de la red eléctrica no está enchufado o está suelto. • El fusible se ha fundido o está defectuoso. • El fusible se ha fundido o está defectuoso. 	<ul style="list-style-type: none"> • Coloque el mando en otro número para encender el aparato. • Inserte el enchufe de red. • Compruebe el fusible y reemplácelo si es necesario. • Compruebe el fusible y reemplácelo si es necesario.

Problema	Causa probable	Solución
Los alimentos están demasiado calientes.	<ul style="list-style-type: none"> • La temperatura no está seleccionada correctamente. • La puerta estuvo abierta durante un largo periodo. • Una gran cantidad de alimentos calientes se han colocado en el electrodoméstico durante las últimas 24 horas. • El electrodoméstico está cerca de una fuente de calor. 	<ul style="list-style-type: none"> • Seleccione la temperatura inicial. • Abra la puerta únicamente cuando sea necesario. • Cambie el regulador de temperatura a una configuración más fría de manera temporal. • Consulte la sección sobre el lugar de la instalación.
El electrodoméstico enfría demasiado.	<ul style="list-style-type: none"> • La temperatura seleccionada es demasiado fría. 	<ul style="list-style-type: none"> • Cambie el mando regulador de temperatura a una configuración más templada de manera temporal.
Ruidos anómalos.	<ul style="list-style-type: none"> • El electrodoméstico no está nivelado. • El electrodoméstico está tocando la pared u otros objetos. • Un componente, por ejemplo, una tubería en la parte trasera del electrodoméstico está tocando otra pieza del mismo o la pared. 	<ul style="list-style-type: none"> • Vuelva a regular las patas. • Mueva el electrodoméstico ligeramente. • Si es necesario, doble el componente con cuidado para evitar el contacto.
Agua en el suelo.	<ul style="list-style-type: none"> • El orificio de drenaje de agua está obstruido. 	<ul style="list-style-type: none"> • Vea el apartado de Limpieza.
El panel lateral está caliente.	<ul style="list-style-type: none"> • El condensador está dentro del panel. 	<ul style="list-style-type: none"> • Es normal.



