

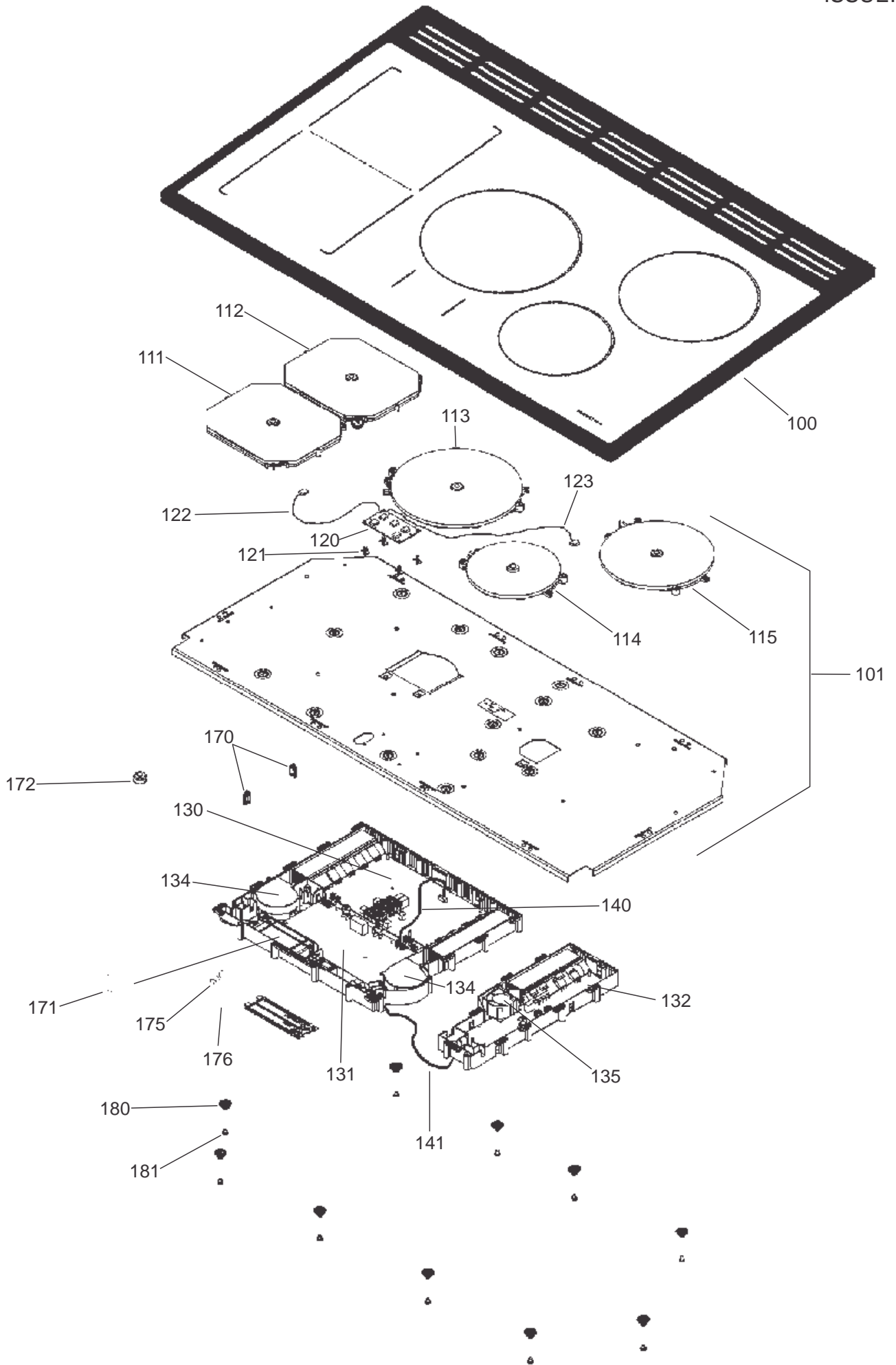
LECKFORD DELUXE 90 INDUCTION

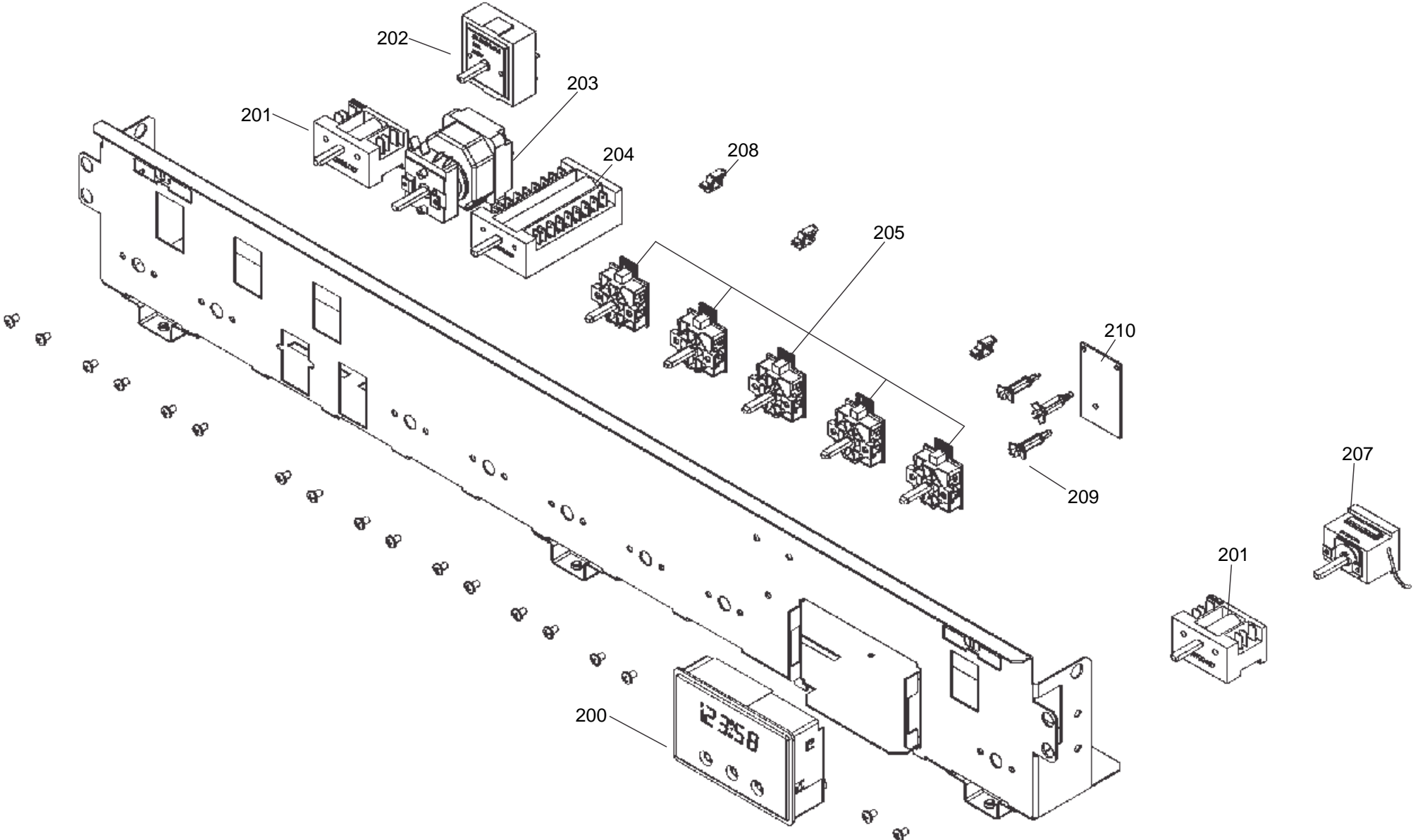
DSL0792 P00

ISSUE:01

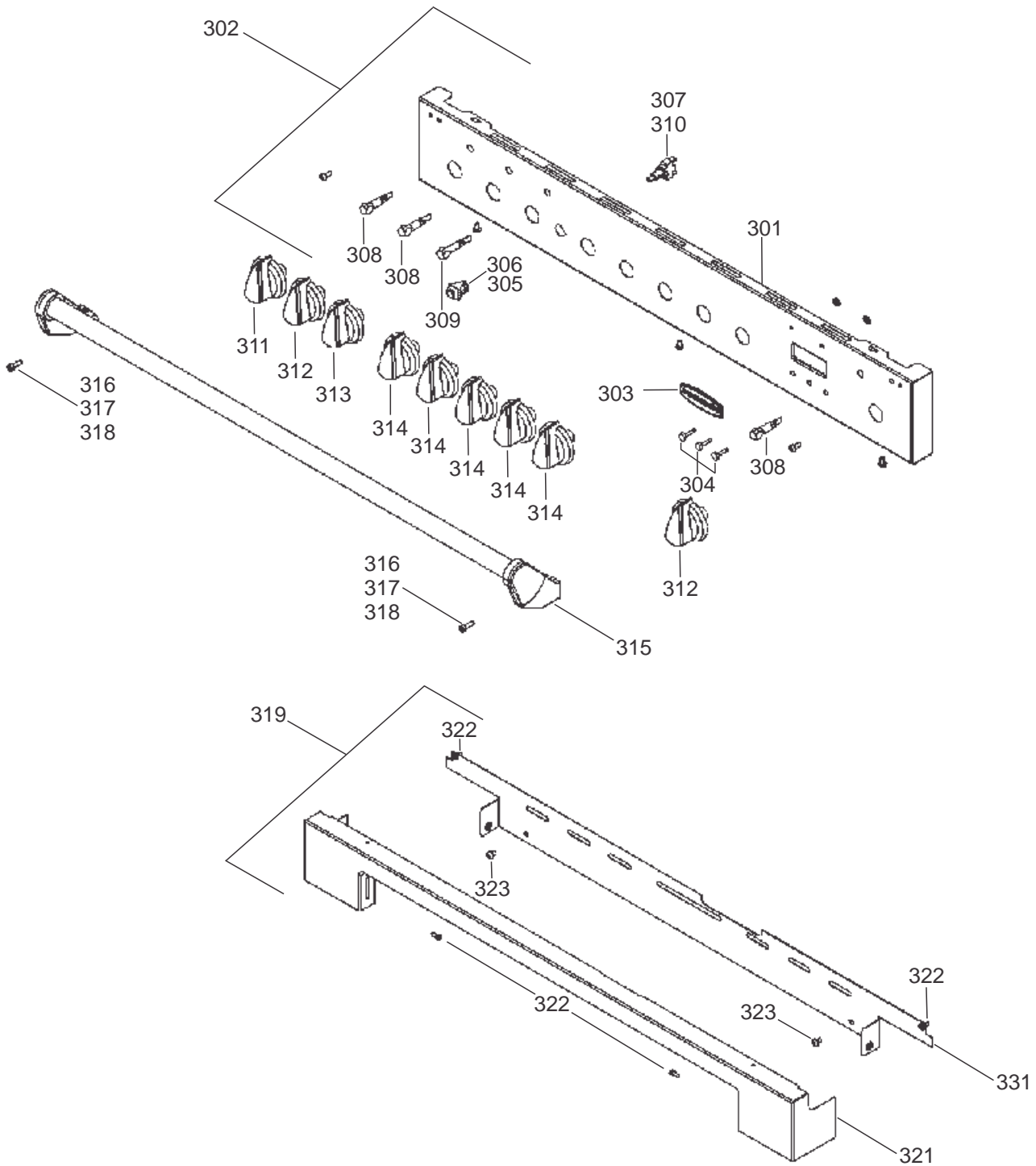
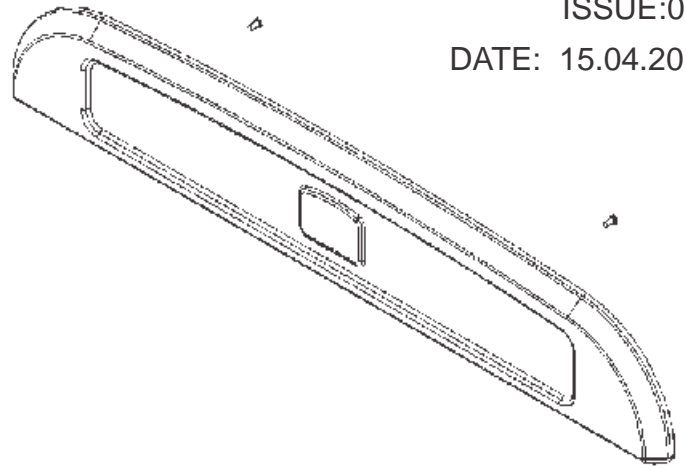
DATE: 15.04.2019



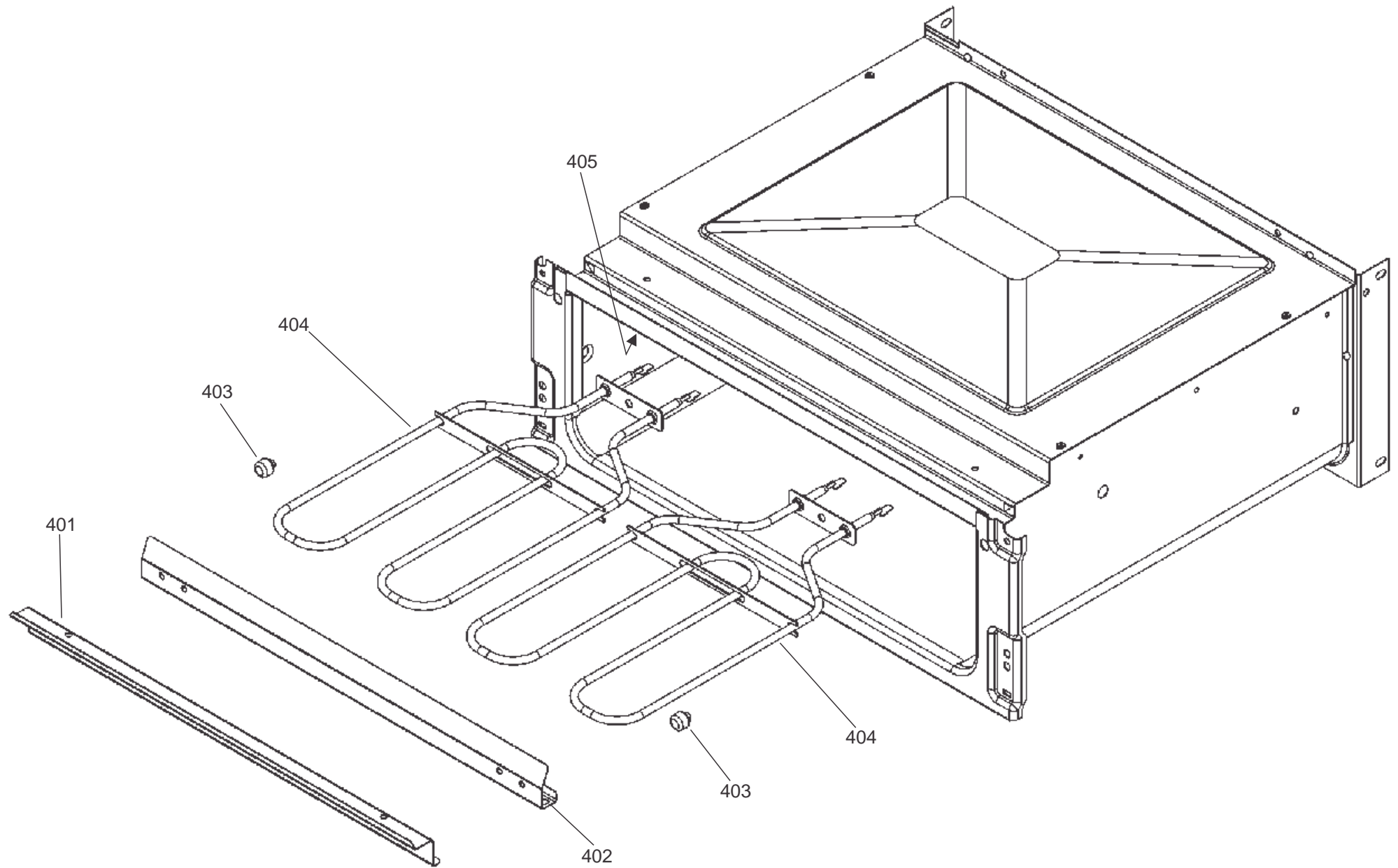




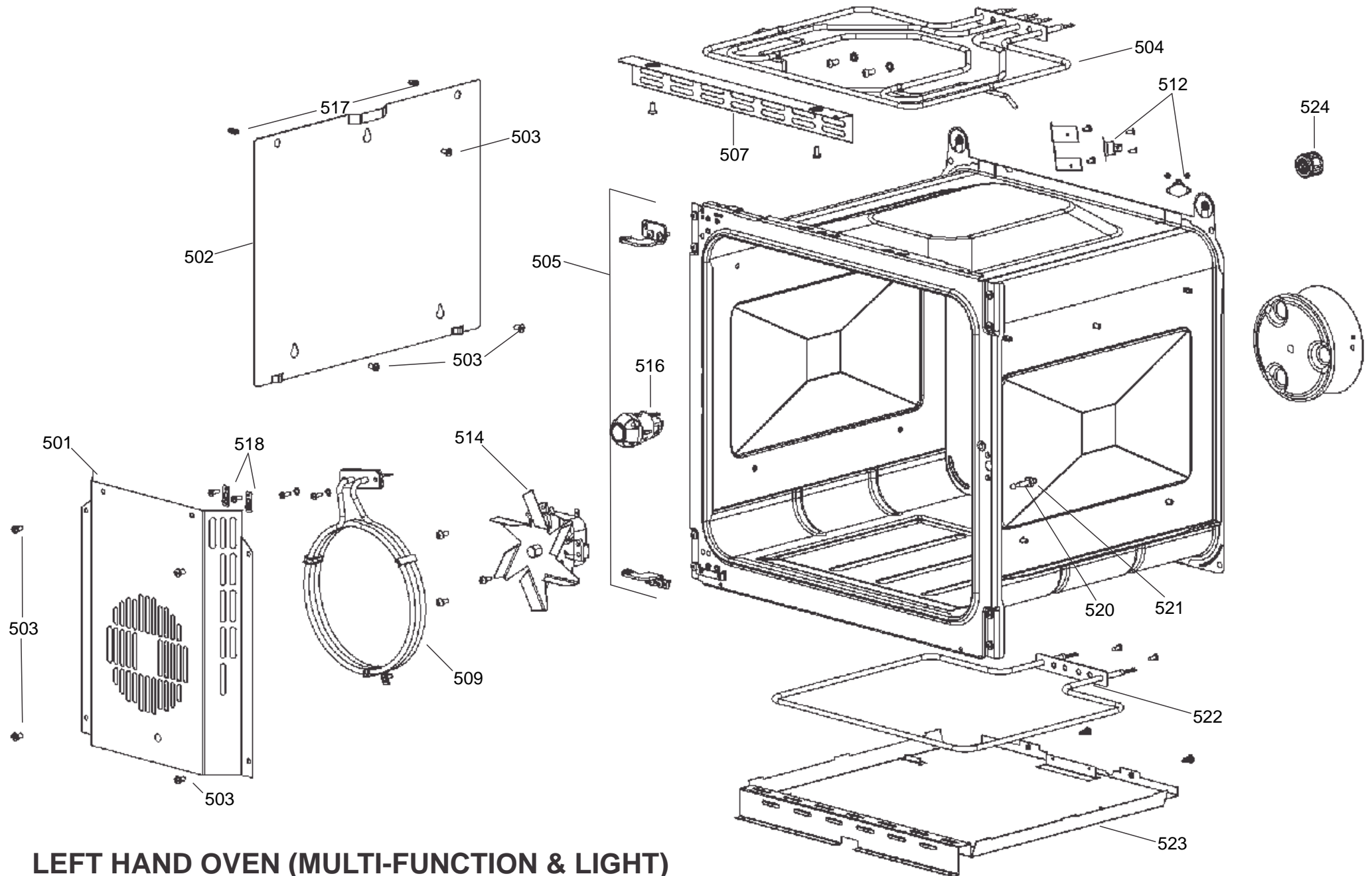
CONTROLS



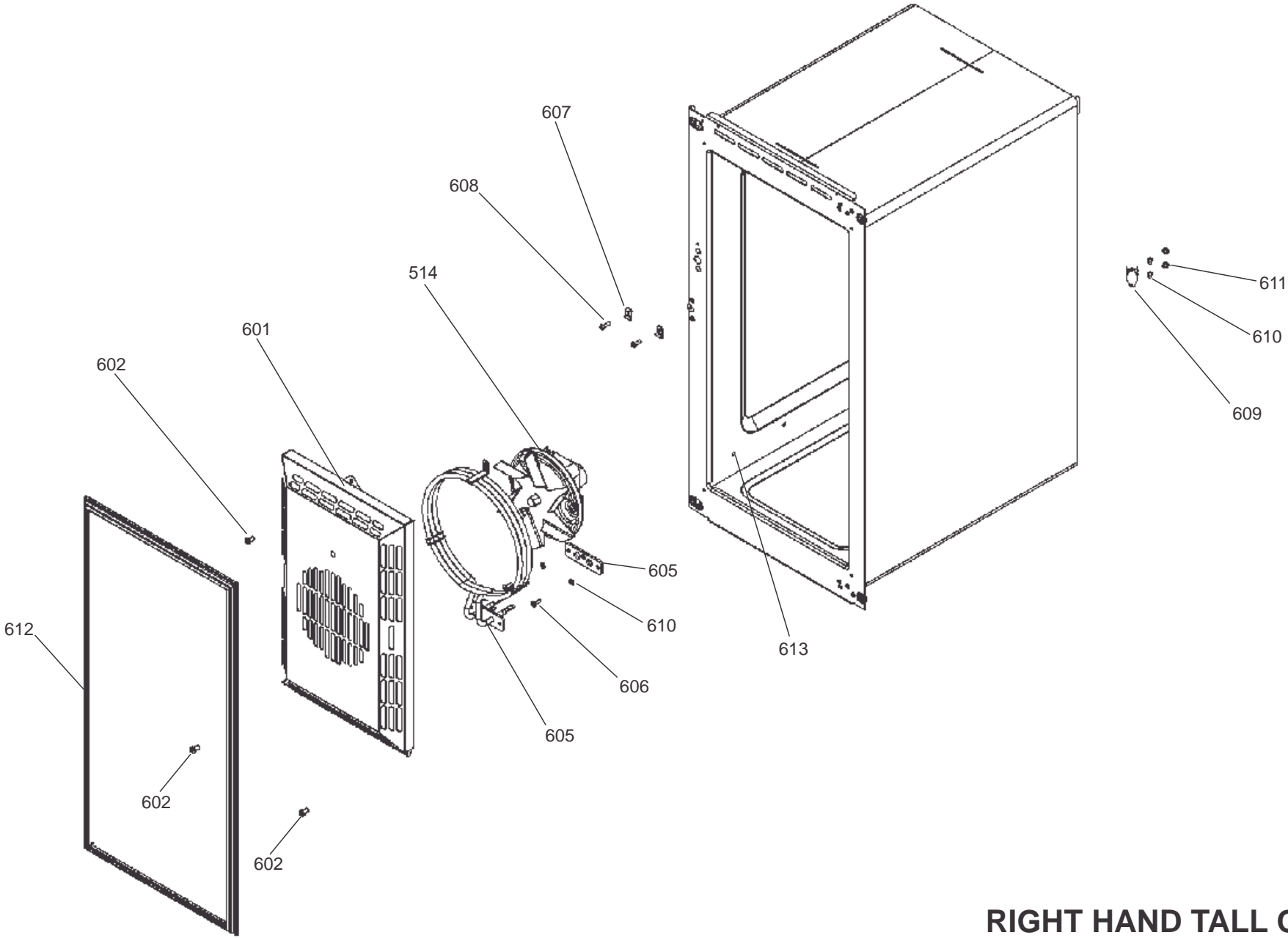
FACIA AND KNOBS ASSEMBLY



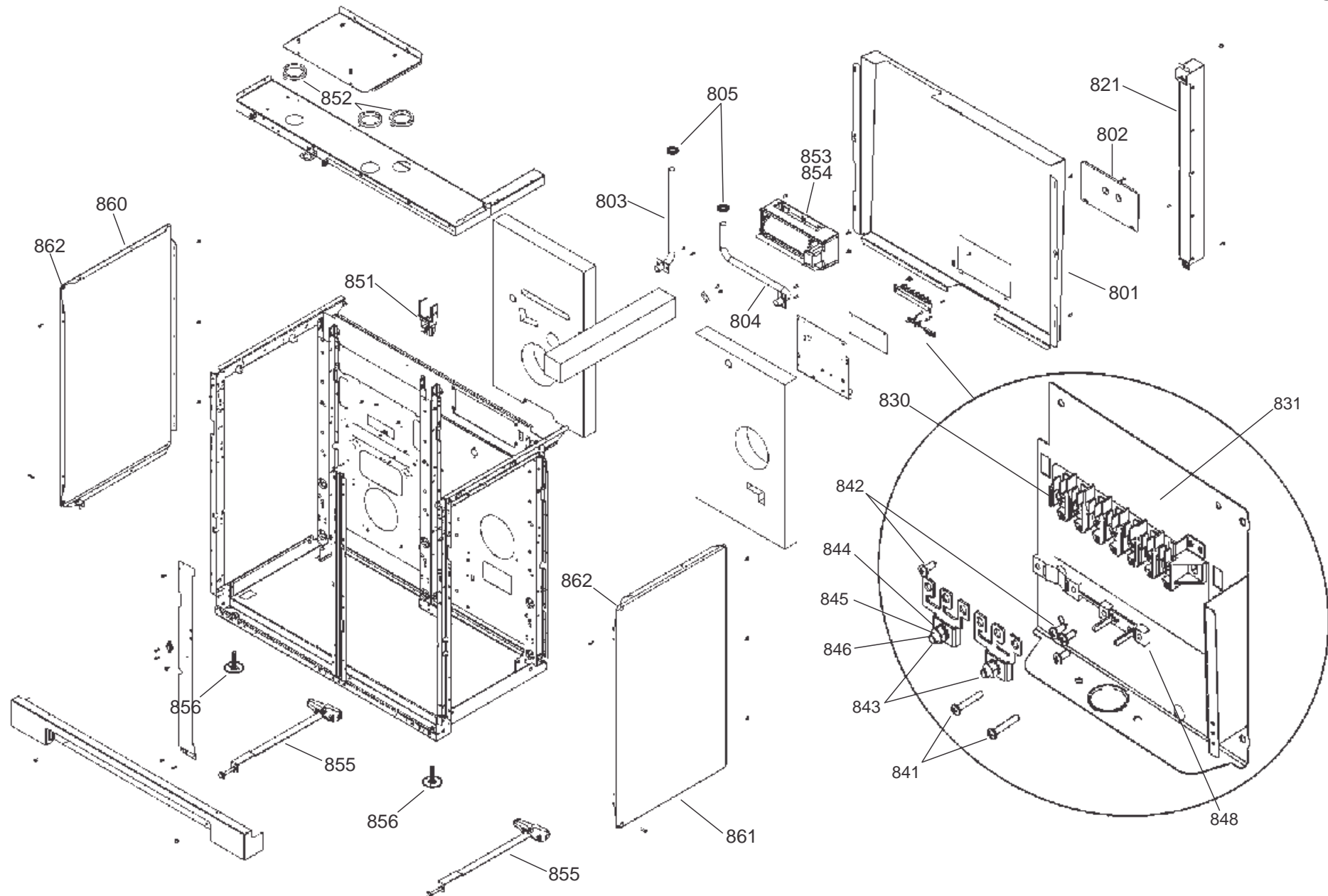
GRILL CHAMBER



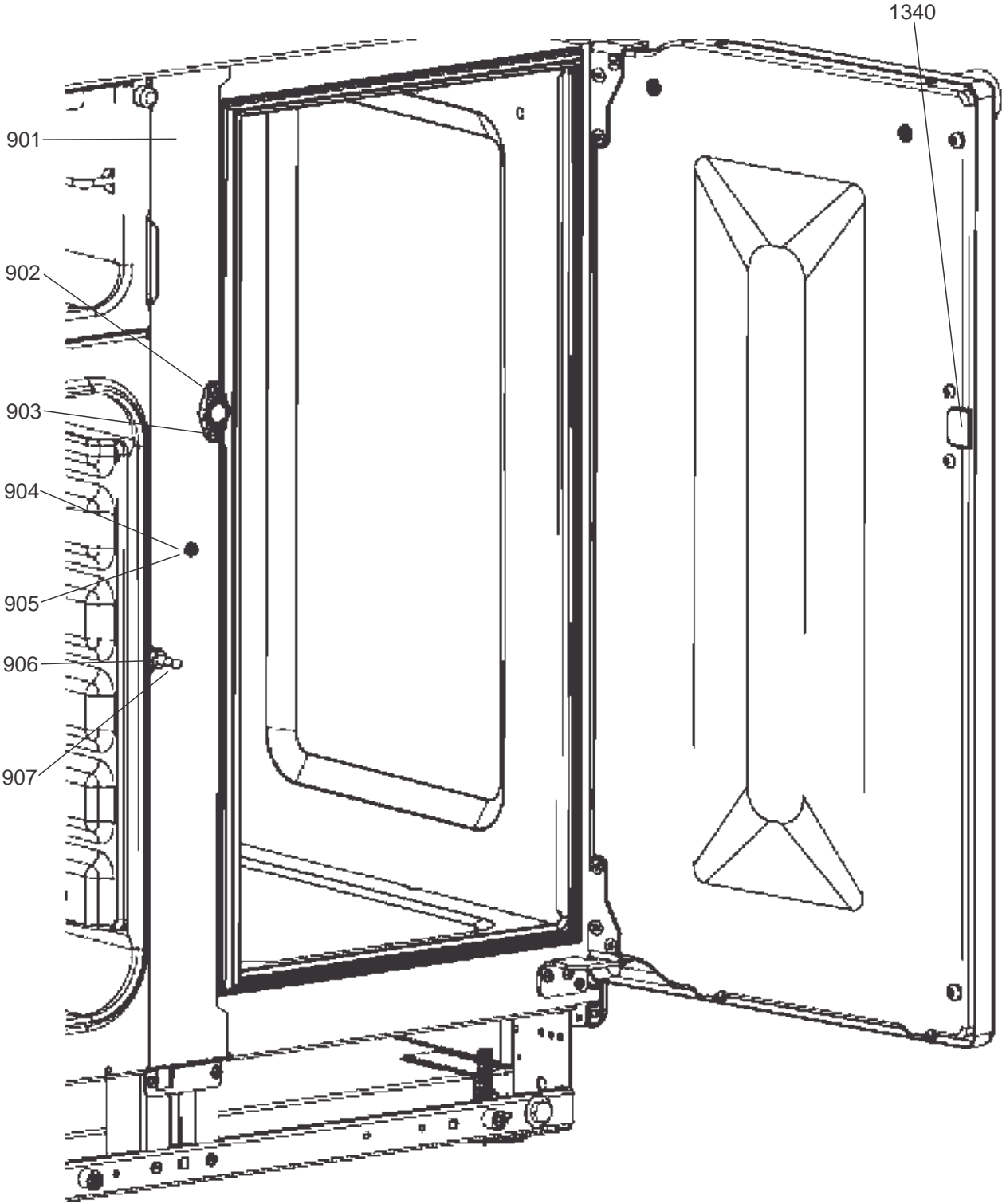
LEFT HAND OVEN (MULTI-FUNCTION & LIGHT)



RIGHT HAND TALL OVEN



COOKER BACK AND ELECTRICAL



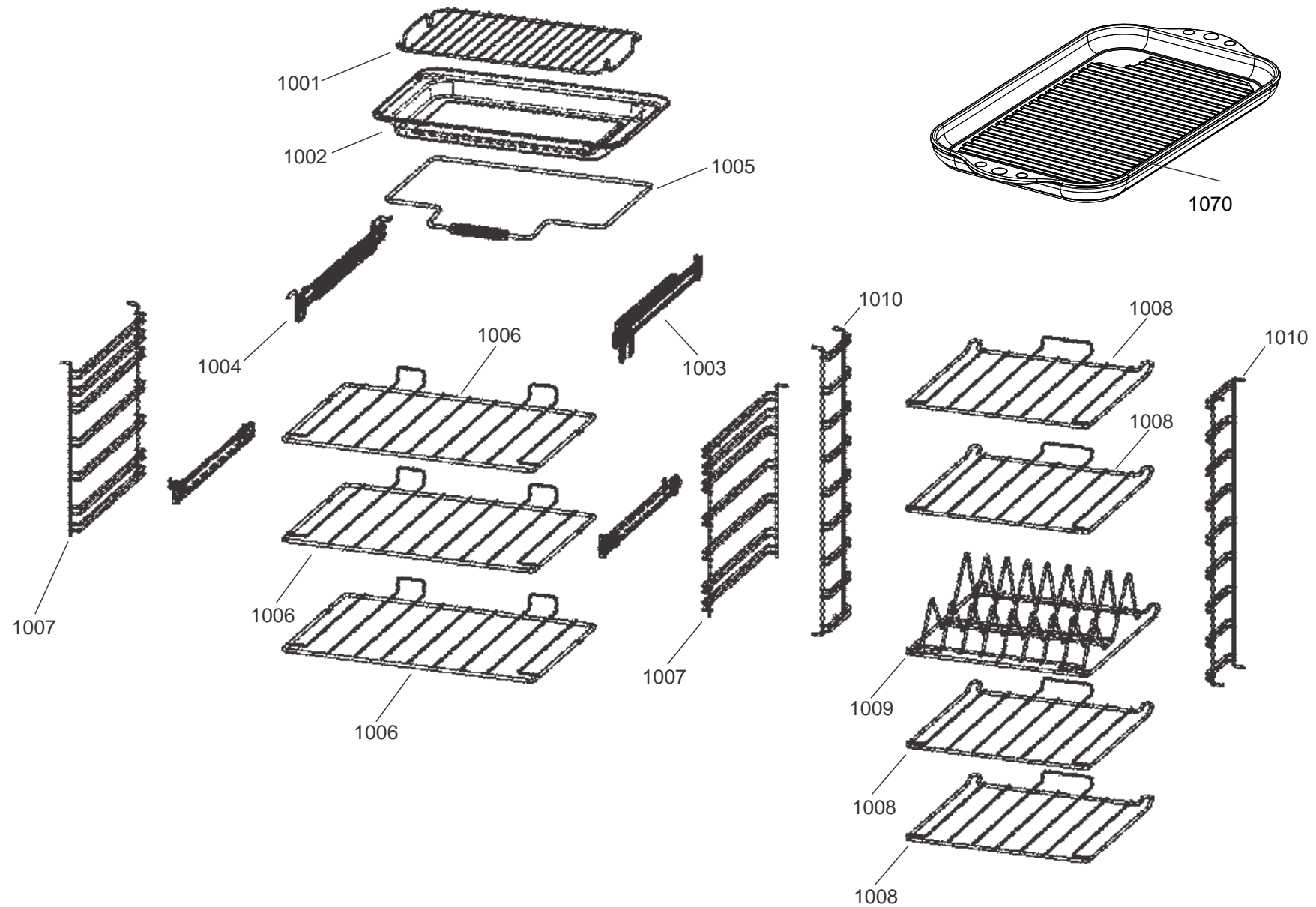
CHASSIS ASSEMBLY

LECKFORD DELUXE 90 INDUCTION

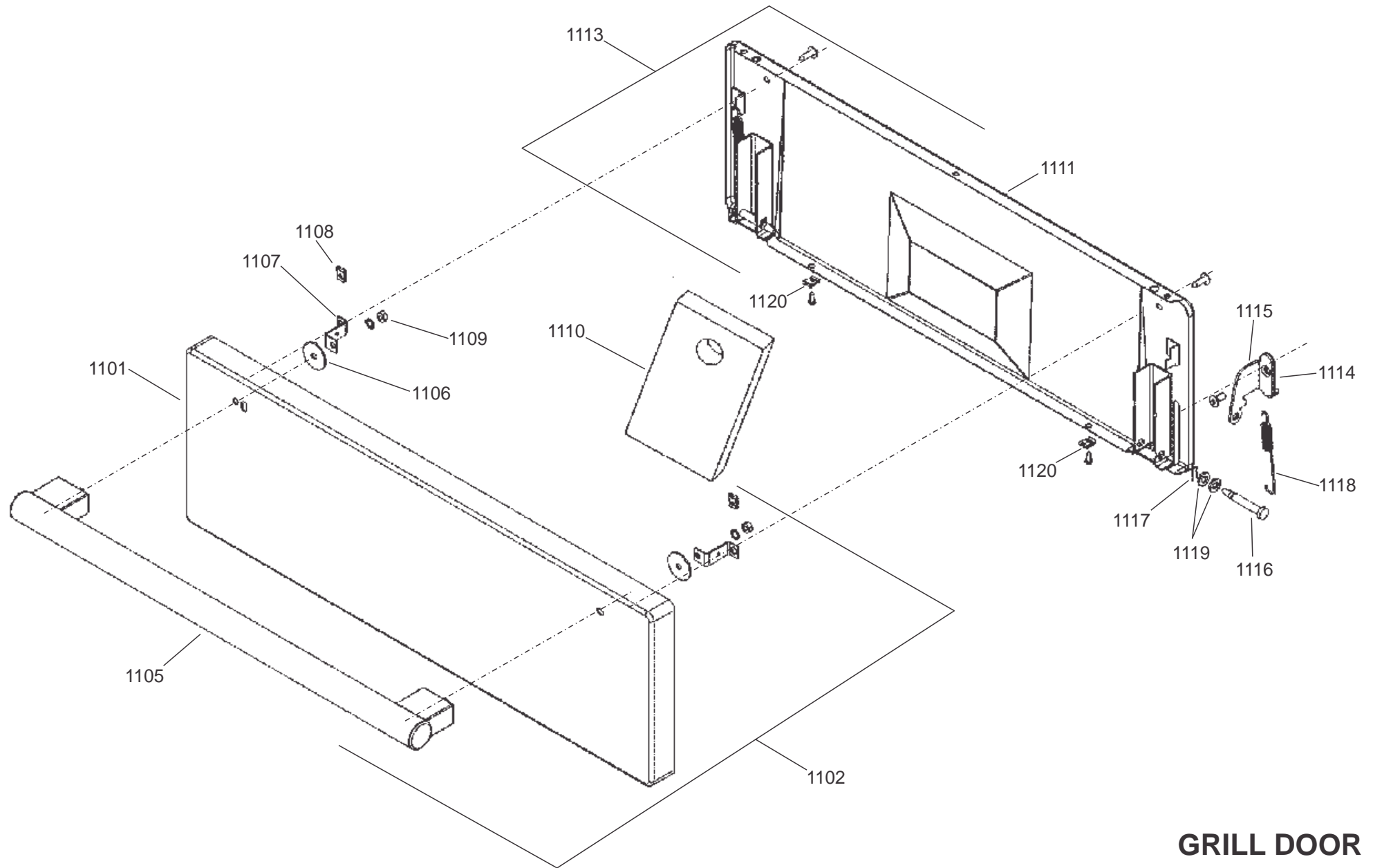
DATE 15.04.19

DSL0792 P10

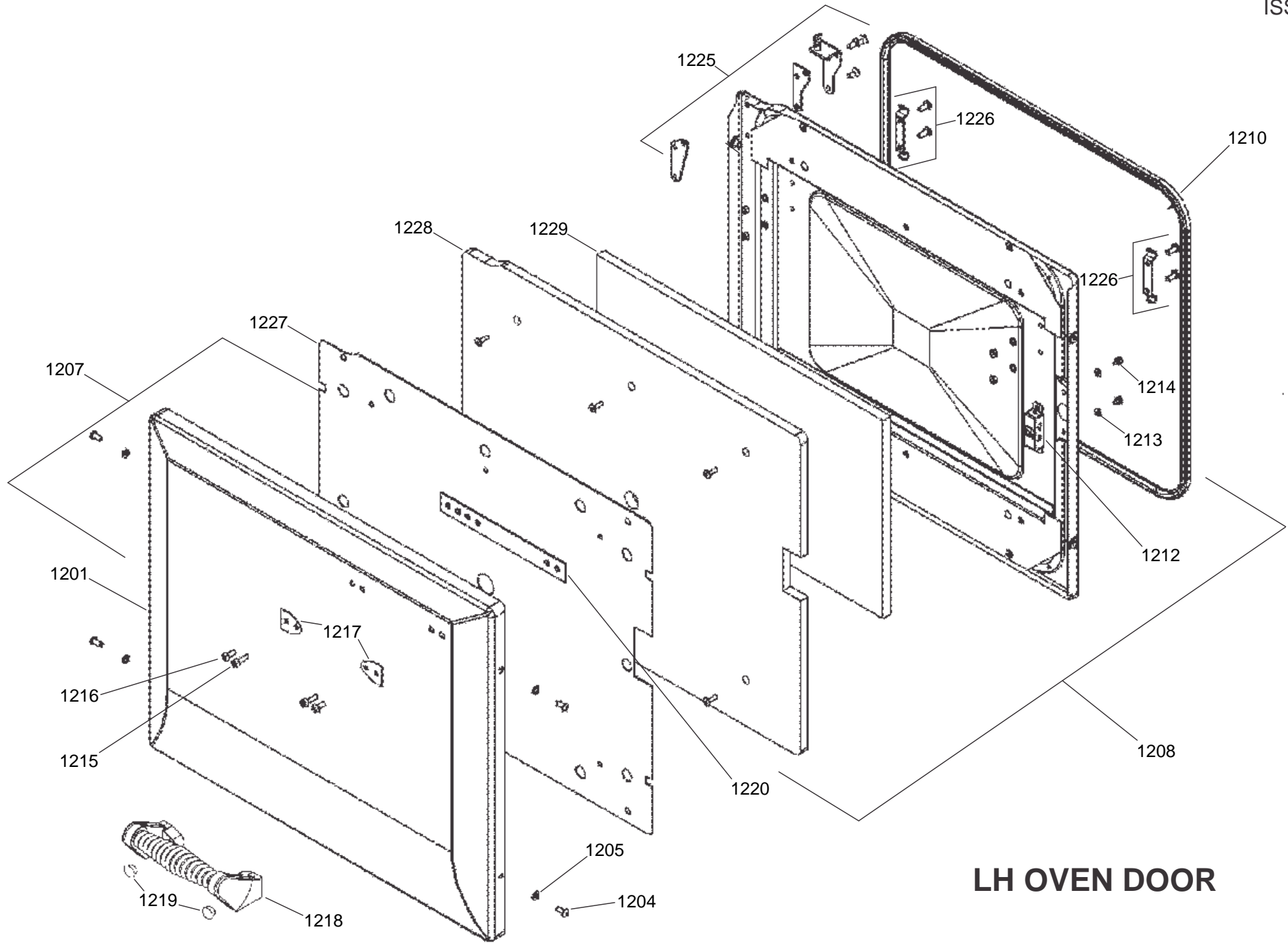
ISSUE: 01



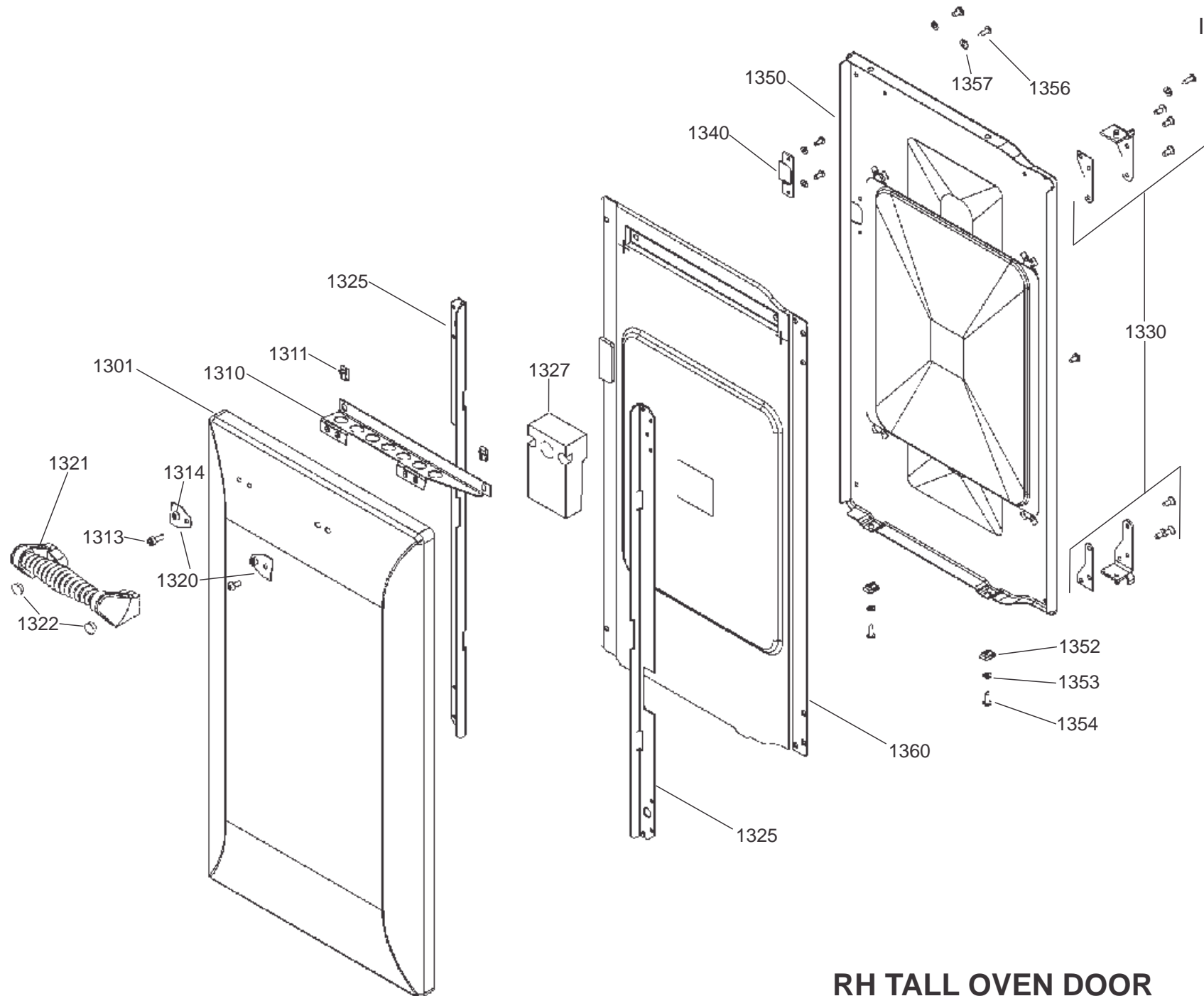
ACCESSORIES



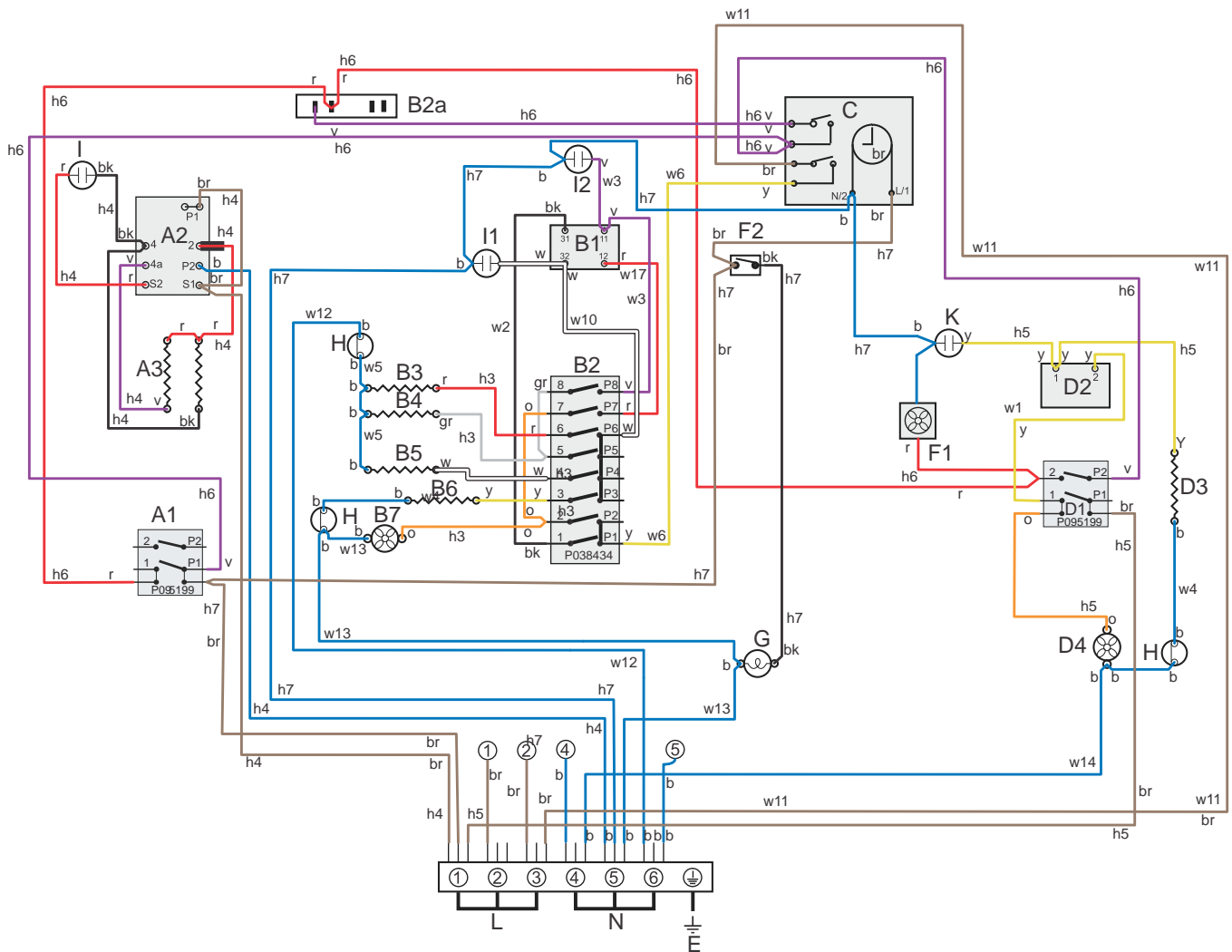
GRILL DOOR



LH OVEN DOOR



RH TALL OVEN DOOR



Key

The connections shown in the circuit diagram are for single-phase. The ratings are for 230V 50Hz.

Code	Description
A1	Grill front switch
A2	Grill energy control
A3	Grill elements
B1	Multi-function oven thermostat
B2	Multi-function oven control
B2a	Multi-function oven thermostat front switch
B3	Left-hand multi-function oven base element
B4	Left-hand multi-function oven top element (outer pair)
B5	Left-hand multi-function oven browning element (inner pair)
B6	Left-hand multi-function oven fan element
B7	Left-hand multi-function oven fan

Code	Description
C	Clock
D1	Right-hand fanoven thermostat
D2	Right-hand fanoven control
D3	Right-hand fanoven element
D4	Right-hand fanoven fan
F1	Cooling fan
F2	Oven light switch
G	Oven light(s)
H	Thermal cut-out
I	Grill neon
I1	Multi-function oven neon
I2	Rapid heat-up neon
K	RH oven neon

Code	Colour
b	Blue
br	Brown
bk	Black
or	Orange
r	Red
v	Violet
w	White
y	Yellow
g/y	Green/yellow
gr	Grey