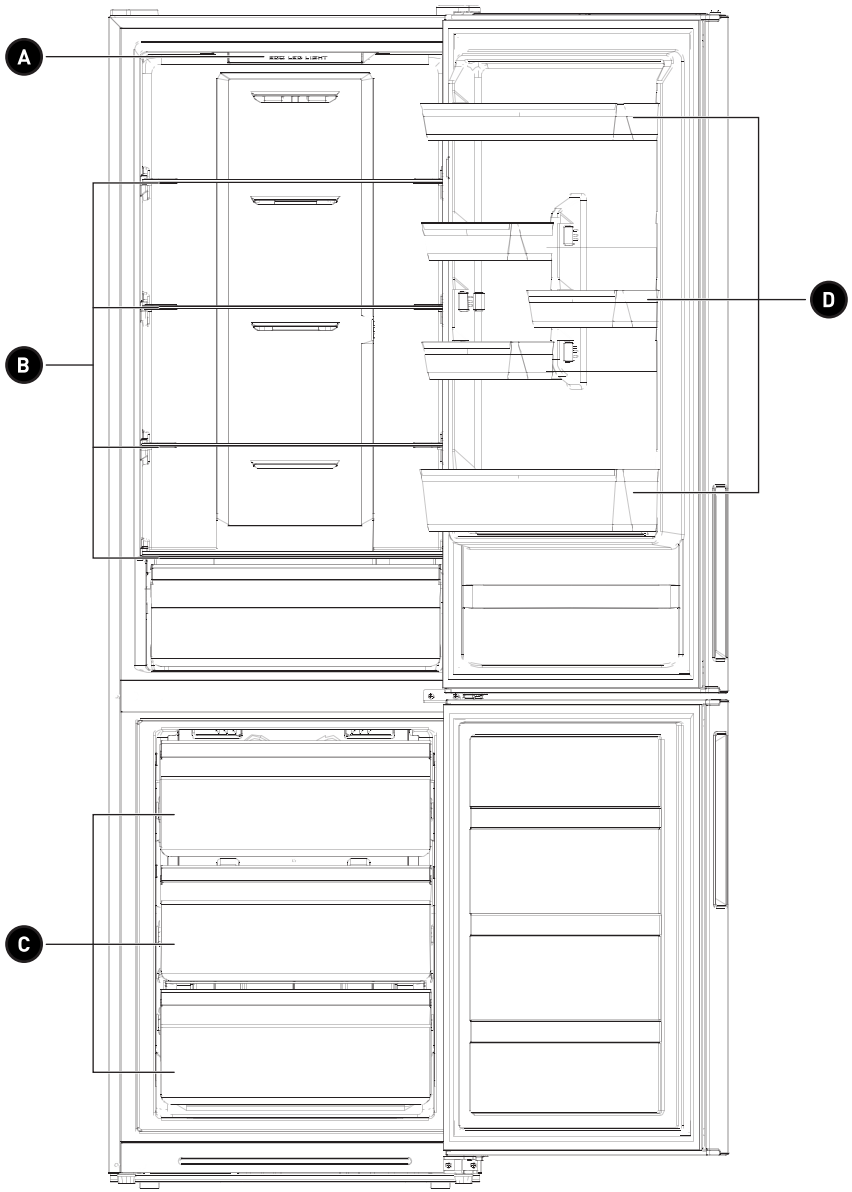


Refrigerator-Freezer
Réfrigérateur-congérateur
Koel-vriescombinatie
Frigorífico congelador

10003181 - CNF 310 D W625C

INSTRUCTIONS FOR USE02
CONSIGNES D'UTILISATION18
GEBRUIKSAANWIJZINGEN36
INSTRUCCIONES DE USO52

VALBERG



Thank you!

Thank you for choosing this VALBERG product. VALBERG products are chosen, tested, and recommended by ELECTRO DEPOT, so you can be sure you are getting a top-quality, easy-to-use product that won't let you down.

We're confident your new device will be a pleasure to use every day!

Welcome to ELECTRO DEPOT.



ELECTRO DEPOT

Table of Contents

A

Product overview

Parts

B

Product usage

Proper use of refrigerators
Functions

C

**Cleaning and
maintenance**

Maintenance and care of the refrigerators
Troubleshooting

Parts

A LED lighting

B Shelf

C Drawer

D Door tray

(The picture above is only for reference. The actual configuration will depend on the physical product or statement by the distributor)

Refrigerating chamber

- The Refrigerating Chamber is suitable for storage of a variety of fruits, vegetables, beverages and other food consumed in the short term, suggested storage time 3 days to 5 days.
- Cooking foods shall not be put in the refrigerating chamber until cooled to room temperature.
- Foods are recommended to be sealed up before putting into the refrigerator.
- The glass shelves can be adjusted up or down for a reasonable amount of storage space and easy use.

Freezing chamber

- The low temperature freezing chamber may keep food fresh for a long time and it is mainly used to store frozen foods and making ice.
- The freezing chamber is suitable for storage of meat, fish, rice balls and other foods not to be consumed in short term.
- Chunks of meat are preferably to be divided into small pieces for quick freezing and easy access. Please be noted food shall be consumed within the shelf time.

Drawers, food box and shelves are the most energy-saving when placed in the factory. Please refer to the above pictures.

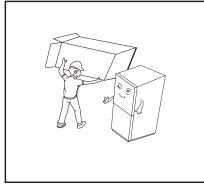
**NOTE:**

Storage of too much food during operation after the initial connection to power may adversely affect the freezing effect of the refrigerator.

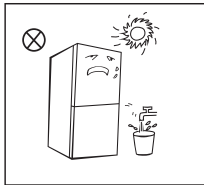
Proper use of refrigerators

Placement

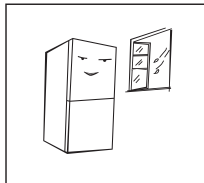
- Before use, remove all packing materials, including bottom cushions, foam pads and tapes inside of the refrigerator; tear off the protective film on the doors and the refrigerator body.



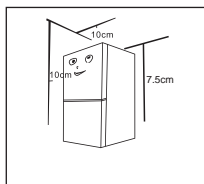
- Keep away from heat and avoid direct sunlight. Do not place the freezer in moist or watery places to prevent rust or reduction of insulating effect.



- Do not spray or wash the refrigerator; do not put the refrigerator in moist places easy to be splashed with water so as not to affect the electrical insulation properties of the refrigerator.



- The refrigerator is placed in a well-ventilated indoor place; the ground shall be flat, and sturdy (rotate left or right to adjust the wheel for leveling if unstable).



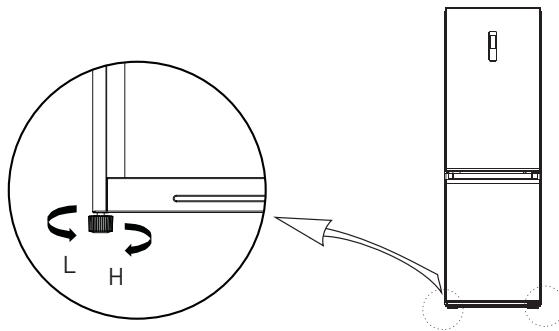
- Keep the air circulation free around the cabinet. When installing the unit, ensure 10 cm of free space at both sides, 10 cm at the top of the unit, and not more than 7.5 cm at the rear of the unit.

**WARNING:**

- Before installation or adjusting of accessories, it shall be ensured that the refrigerator is disconnected from power. Precautions shall be taken to prevent fall of the handle from causing any personal injury.

Leveling feet

Schematic diagram of the levelling feet


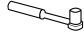
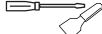



(The picture above is only for reference. The actual configuration will depend on the physical product or statement by the distributor.)

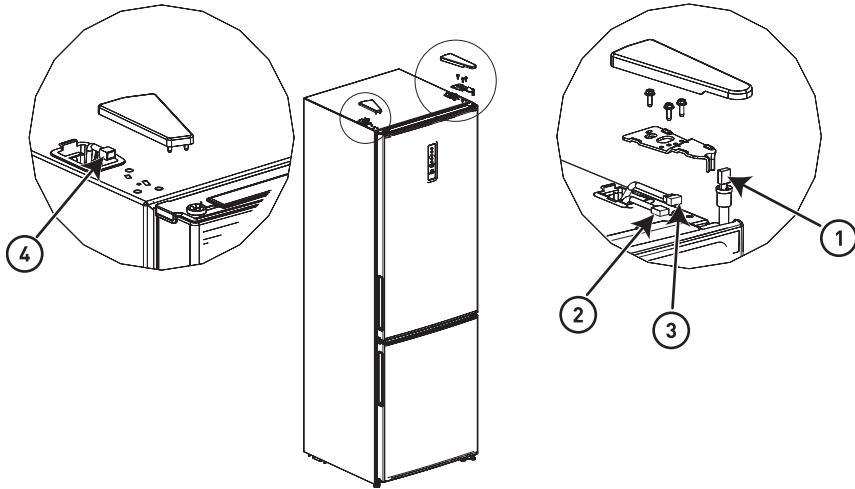
Adjusting procedures:

- Turn the feet clockwise to raise the refrigerator;
- Turn the feet counterclockwise to lower the refrigerator;
- Adjust the right and left feet based on the procedures above to a horizontal level.

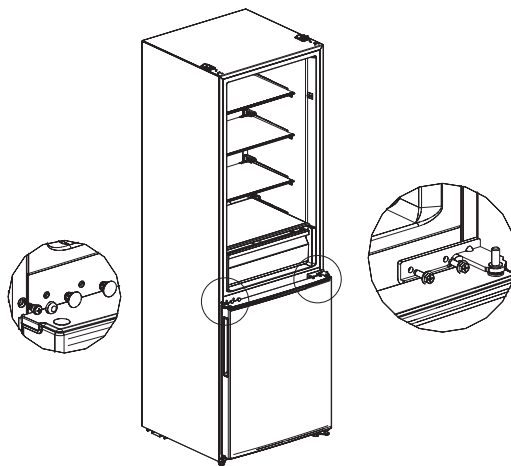
Door right-left change**List of tools to be provided by the user**

	Cross-screwdriver
	5/16" socket and ratchet
	Putty knife thin-blade screwdriver
	Masking tape

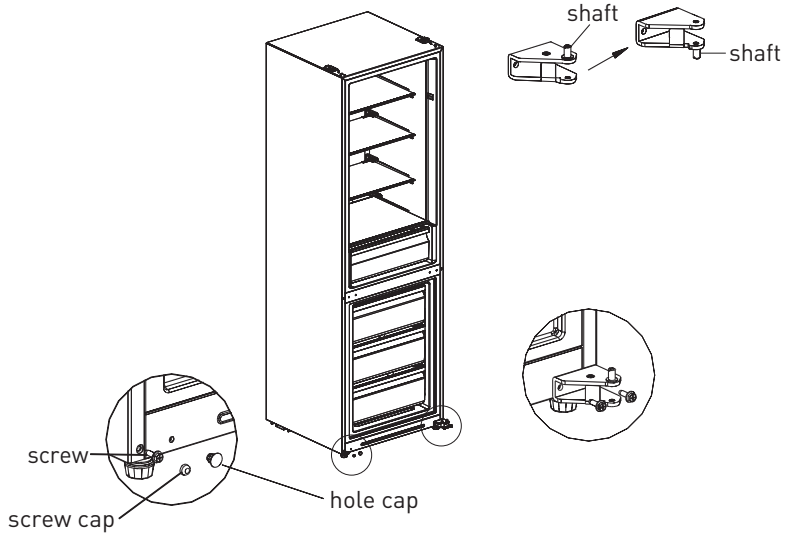
1. Power off the refrigerator, and remove all objects from the door trays.
2. Dismantle upper hinge cover, screws and upper hinge, and remove the hole cover from the other side, unplug the wiring connector on the right side of refrigerator top (① , ③ wiring connector).



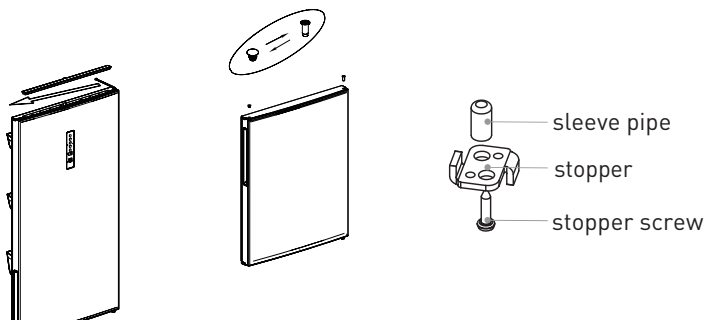
3. Dismantle the middle hinge, the screws, the screws hole caps and remove the freezer door.



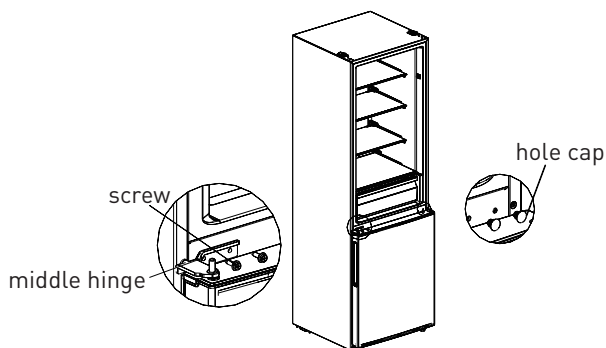
4. Dismantle the bottom hinge, hole caps and screws, Install the bottom hinge shaft on other side of the bottom hinge, then install the hinge on the other side.



5. Dismantle the screws, sleeve pipe and stopper on the lower end cover of the two door bodies, and install them successively on the other side of the door bodies (the stopper needs to be replaced from the additional bag). Then remove the upper end cover of the cooler door and switch the wire harness with a sleeve pipe to the other side of the door body. Finally install the sleeve pipe of the upper hinge on the cooler door in the hole on the other side of upper end cover of the cooler door.



- Put the freezer door on bottom hinge, install the middle hinge, the screws and the screw hole caps.

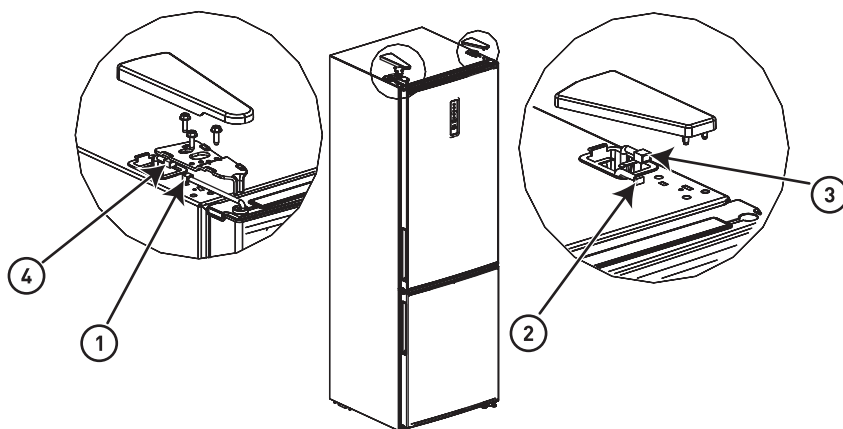


(The picture above is only for reference. The actual configuration will depend on the physical product or statement by the distributor)

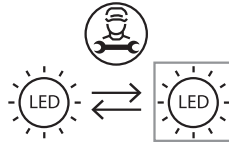
- Place the door body for the refrigerator compartment on the middle hinge, then install the upper hinge to the other side of the cabinet, finally connect the terminals ①, ④ for the signal wires at the side of the upper hinge and terminals ②, ③ on the other side and cover the hinge cover and hole cover.



Note: The two terminals ② and ③ must be connected, otherwise the display control screen on the door will not display due to the circuit out of power.



Changing the light



- This product contains a light source of energy efficiency class F. Light source in this product can only be replaced by qualified professionals. Please contact after-sales service if the light source fails. The light source shall be removed at the end of the product's useful life, with sorting and recycling done separately.



1. Please take out the plug before removal.



2. Remove the lampshade with a screwdriver.

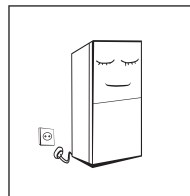


3. Take down the lamp panel.

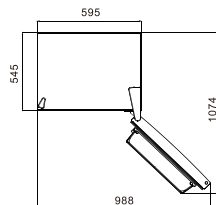


4. Remove the connection terminal.

Starting to use



- Before initial start, keep the refrigerator still for half an hour before connecting it to power supply.
- Before putting any fresh or frozen foods, the refrigerator shall have run for 2-3 hours, or for above 4 hours in summer when the ambient temperature is high.

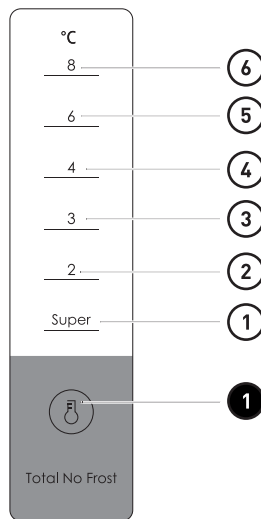


- Spare enough space for convenient opening of the doors and drawers or statement by the distributor.

Energy saving tips

- The appliance should be located in the coolest area of the room, away from heat producing appliances or heating ducts, and out of the direct sunlight.
- Let hot foods cool to room temperature before placing in the appliance. Overloading the appliance forces the compressor to run longer. Foods that freeze too slowly may lose quality, or spoil.
- Be sure to wrap foods properly, and wipe containers dry before placing them in the appliance. This cuts down on frost build-up inside the appliance.
- Appliance storage bin should not be lined with aluminum foil, wax paper, or paper toweling. Liners interfere with cold air circulation, making the appliance less efficient.
- Organize and label food to reduce door openings and extended searches. Remove as many items as needed at one time, and close the door as soon as possible.

Functions



(The picture above is only for reference. The actual configuration will depend on the physical product or statement by the distributor)

Key

- ① Temperature setting button

Display screen

- | | |
|-------------------------------------|------------------------------|
| ① temperature setting 1: super cool | ② temperature setting 2: 2°C |
| ③ temperature setting 3: 3°C | ④ temperature setting 4: 4°C |
| ⑤ temperature setting 5: 6°C | ⑥ temperature setting 6: 8°C |

Display

- When power-on the refrigerator, the display screen (including the key light) will shine in full for 3s, then the refrigerator runs according to temperature setting 3.
- Display of normal running
- On the occurrence of a failure, the corresponding LED light will give a combined display of failure code (in recycling display);
- Where there is no failure, the LED light will display the existing temperature setting.

Gear setting

- The temperature setting will be changed once every time when you press the key SET. Then, the refrigerator will run under the new setting value after 15s.

▶ 8°C → 6°C → 4°C → 3°C → 2°C → Super cool

Super cool mode

- Enter: Circulating modulation Super cool mode.
- Operate: Indicator of Super cool lights up, the refrigerator will automatically exit the Super cool mode after 40 hours of continuous operation at low temperatures.
- Press the button to switch the other gear. The the Super cool mode is canceled When placing a large amount of food in the freezer compartment at one time, it is recommended to open the Super cool mode 12 hours in advance, so as to quickly freeze food and avoid food deterioration.

Adjustment of manual air damper lever

- Turn the air damper slider up, the actual temperature inside the freezer room will drop,
- Turn the air damper slider down, the actual temperature inside the freezer room will rise.

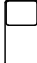


FREEZER-TEMP



Thermostat setting for ambient T°C : NORMAL ≈ +24°C (± 4°C)

Thermostat setting for ambient T°C : COLD ≈ +16°C (± 4°C)

Thermostat setting for ambient T°C : HOT ≈ +32°C (± 4°C)

Environment Temperature	16°C	24°C	32°C
Fridge	3°C	3°C	3°C
Freezer	FREEZER-TEMP COLDEST COLDER COLD 	FREEZER-TEMP COLDEST COLDER COLD 	FREEZER-TEMP COLDEST COLDER COLD 

Error code

The following warnings appearing on the display indicate corresponding faults of the refrigerator. Though the refrigerator may still have cooling and freezing function with the following faults, the user shall contact a maintenance specialist for maintenance, so as to ensure normal use of the refrigerator.

Fault Code	Fault Description
The LED 1 and LED 2 lit	Refrigerating temperature sensor fault
The LED 1 and LED 3 lit	Freezer defrost sensor fault
The LED 1 and LED 4 lit	Ambient temperature sensor fault
The LED 2 and LED 4 lit	Communication fault



Note:

The quick-freezing function is designed to maintain the nutritional value of the food in the freezer. It can freeze the food in the shortest time. If a large amount of food is frozen at one time, it is recommended that the user turn on the quick-freezing function and put the food in. At this time, the freezing speed of the freezer compartment is increased, which can quickly freeze the food, effectively lock the nutrition of the food, and facilitate storage.

Maintenance and care of the refrigerators

Overall cleaning

- Dusts behind the refrigerator and on the ground shall be timely cleaned to improve the cooling effect and energy saving.
- Check the door gasket regularly to make sure there are no debris. Clean the door gasket with a soft cloth dampened with soapy water or diluted detergent.
- The interior of the refrigerator should be cleaned regularly to avoid odor.
- Please turn off the power before cleaning interior, remove all foods, drinks, shelves, drawers, etc.
- Use a soft cloth or sponge to clean the inside of the refrigerator, with two tablespoons of baking soda and a quart of warm water. Then rinse with water and wipe clean. After cleaning, open the door and let it dry naturally before turning on the power.
- For areas that are difficult to clean in the refrigerator (such as narrow sandwiches, gaps or corners), it is recommended to wipe them regularly with a soft rag, soft brush, etc. and when necessary, combined with some auxiliary tools (such as thin sticks) to ensure no contaminants or bacterials accumulation in these areas.
- Do not use soap, detergent, scrub powder, spray cleaner, etc., as these may cause odors in the interior of the refrigerator or contaminated food.
- Clean the bottle frame, shelves and drawers with a soft cloth dampened with soapy water or diluted detergent. Dry with a soft cloth or dry naturally.
- Wipe the outer surface of the refrigerator with a soft cloth dampened with soapy water, detergent, etc., and then wipe dry.
- Do not use hard brushes, clean steel balls, wire brushes, abrasives (such as toothpastes), organic solvents (such as alcohol, acetone, banana oil, etc.), boiling water, acid or alkaline items, which may damage the fridge surface and interior. Boiling

water and organic solvents such as benzene may deform or damage plastic parts.

- Do not rinse directly with water or other liquids during cleaning to avoid short circuits or affect electrical insulation after immersion.

**WARNING:**

- Please unplug the refrigerator for defrost and cleaning.

**Defrosting**

- The refrigerator is made based on the air-cooling principle and thus has automatic defrosting function. Frost formed due to change of season or temperature may also be manually removed by disconnection of the appliance from power supply or by wiping with a dry towel.

Out of operation

- Power failure: In case of power failure, even if it is in summer, foods inside the appliance can be kept for several hours; during the power failure, the times of door opening shall be reduced, and no more fresh food shall be put into the appliance.
- Long-time nonuse: The appliance shall be unplugged and then cleaned; then the doors are left open to prevent odor.
- Moving: Before the refrigerator is moved, take all objects inside out, fix the glass partitions, vegetable holder, freezing chamber drawers and etc. with tape, and tighten the levelling feet; close the doors and seal them with tape. During moving, the appliance shall not be laid upside down or horizontally, or be vibrated; the inclination during movement shall be no more than 45°.

**WARNING:**

The appliance shall run continuously once it is started. Generally, the operation of the appliance shall not be interrupted; otherwise the service life may be impaired.

Troubleshooting

You may try to solve the following simple problems by yourself. If them cannot be solved, please contact the after-sales department.

Problem	Solution
Failed operation	<ul style="list-style-type: none"> • Check whether the appliance is connected to power or whether the plug is in well contact • Check whether the voltage is too low • Check whether there is a power failure or partial circuits have tripped
Odor	<ul style="list-style-type: none"> • Odorous foods shall be tightly wrapped • Check whether there is any rotten food • Clean the inside of the refrigerator
Long-time operation of the compressor	<ul style="list-style-type: none"> • Long operation of the refrigerator is normal in summer when the ambient temperature is high • It is not suggestible having too much food in the appliance at the same time • Food shall get cool before being put into the appliance • The doors are opened too frequently
Light fails to get lit	<ul style="list-style-type: none"> • Check whether the refrigerator is connected to power supply and whether the illuminating light is damaged • Have the light replaced by a specialist
Doors cannot be properly closed	<ul style="list-style-type: none"> • The door is stuck by food packages • The refrigerator is tilted
Loud noise	<ul style="list-style-type: none"> • Check whether the floor is level and whether the refrigerator is placed stably • Check whether accessories are placed at proper locations
Door seal fails to be tight	<ul style="list-style-type: none"> • Remove foreign matters on the door seal • Heat the door seal and then cool it for restoration (or blow it with an electrical drier or use a hot towel for heating)

Problem	Solution
Water pan overflows	<ul style="list-style-type: none">• There is too much food in the chamber or food stored contains too much water, resulting in heavy defrosting.• The doors are not closed properly, resulting in frosting due to entry of air and increased water due to defrosting.
Hot housing	<ul style="list-style-type: none">• Heat dissipation of the built-in condenser via the housing, which is normal• When housing becomes hot due to high ambient temperature, storage of too much food, provide sound ventilation to facilitate heat dissipation.
Surface condensation	<ul style="list-style-type: none">• Condensation on the exterior surface and door seals of the refrigerator is normal when the ambient humidity is too high. Just wipe the condensate with a clean towel.
Abnormal noise	<ul style="list-style-type: none">• Buzz: The compressor may produce buzzes during operation, and the buzzes are loud particularly upon start or stop. This is normal.• Creak: Refrigerant flowing inside of the appliance may produce creak, which is normal.

Merci !

Merci d'avoir choisi ce produit VALBERG.
Choisis, testés et recommandés par ELECTRO DEPOT,
les produits de la marque VALBERG vous assurent
une utilisation simple, une performance fiable et
une qualité irréprochable.
Grâce à cet appareil, vous savez que chaque utilisation
vous apportera satisfaction.

Bienvenue chez ELECTRO DEPOT.

Visitez notre site Internet : www.electrodepot.fr
www.electrodepot.be

VOTRE AVIS COMPTE !



**PARTAGEZ
VOTRE EXPERIENCE
SUR LES PRODUITS**

Parce que votre satisfaction est notre priorité, nous vous proposons
de donner votre avis sur ce produit. Il sera transmis et analysé par
nos équipes afin d'améliorer continuellement le produit.

Donnez votre avis sur <http://www.electrodepot.fr/avis-client>



ELECTRO DEPOT

18

FR

Table des matières

A Aperçu de l'appareil

Pièces

B Utilisation de l'appareil

Utilisation correcte des réfrigérateurs
Fonctions

C Nettoyage et entretien

Nettoyage et entretien du réfrigérateur
Guide de dépannage

Les notices sont aussi disponibles sur le site
<http://www.electrodepot.fr/sav/notices/>
<http://www.electrodepot.be/fr/sav/notices>

Pièces

- A** Lampe LED
- B** Clayette
- C** Bac
- D** Balconnet de porte

(L'image ci-dessus n'est fournie qu'à titre indicatif. La configuration réelle dépendra du produit ou des indications du distributeur.)

Compartment de réfrigération

- Le compartiment de réfrigération convient au stockage d'une variété de fruits, légumes, boissons et autres aliments à consommer à court terme et dont le délai de conservation conseillé est de 3 à 5 jours.
- Les aliments cuits ne doivent pas être placés dans le compartiment de réfrigération avant d'avoir refroidi jusqu'à atteindre la température ambiante.
- Il est recommandé d'emballer hermétiquement les aliments avant de les placer dans le réfrigérateur.
- Les clayettes en verre peuvent être placées plus haut ou plus bas pour obtenir un espace de stockage suffisant et faciliter leur utilisation.

Compartment de congélation

- Le compartiment de congélation à basse température permet de garder les aliments frais sur une longue durée et il est principalement utilisé pour stocker les aliments surgelés et préparer des glaçons.
- Le compartiment de congélation convient au stockage de la viande, du poisson, des boules de riz et d'autres aliments qui ne seront pas consommés à court terme.
- Il est préférable de diviser les gros morceaux de viande en morceaux plus petits pour une congélation plus rapide et un accès plus facile. Veuillez noter que les aliments doivent être consommés avant la fin de leur délai de conservation.

La disposition des tiroirs, bacs et clayettes telle qu'elle est à la sortie de l'usine est celle qui permet d'économiser le plus d'énergie. Veuillez vous reporter aux illustrations ci-dessus.



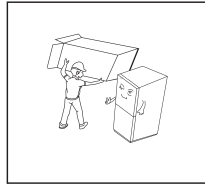
REMARQUE :

Stocker trop d'aliments dans le réfrigérateur après son branchement initial à l'alimentation peut nuire à son effet de congélation.

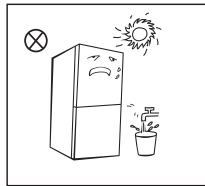
Utilisation correcte des réfrigérateurs

Positionnement

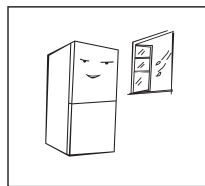
- Avant l'utilisation, retirez tous les matériaux d'emballage, y compris les coussins du bas, les protections en mousse et le ruban adhésif à l'intérieur du réfrigérateur. Déchirez le film protecteur des portes et du corps du réfrigérateur.



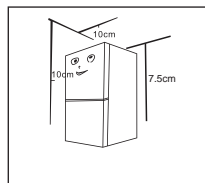
- Gardez l'appareil à distance de la chaleur et évitez la lumière directe du soleil. Ne placez pas le congélateur dans un endroit humide, afin d'éviter la rouille ou une diminution de l'effet isolant.



- N'aspergez pas le réfrigérateur pour le nettoyer et ne placez pas le réfrigérateur dans un endroit humide où il pourrait être aspergé d'eau, car cela pourrait affecter ses propriétés d'isolation électrique.



- Le réfrigérateur doit être placé dans un endroit bien aéré, sur un sol plat et solide (si le réfrigérateur est bancal, faites tourner les pieds de mise à niveau vers la gauche ou la droite).



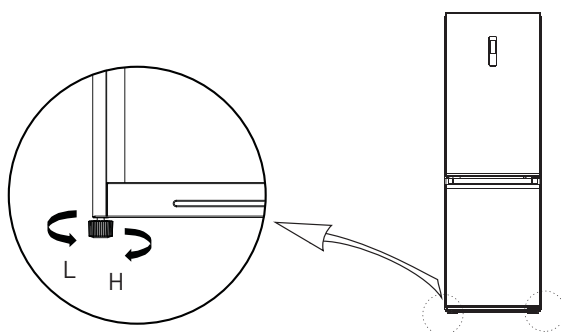
- Veillez à permettre à l'air de circuler librement autour de l'appareil. Lors de l'installation, assurez-vous de laisser un espace libre de 10 cm de chaque côté de l'appareil, de 10 cm au-dessus et de 7,5 cm maximum à l'arrière.

**AVERTISSEMENT :**

- Avant d'installer ou ajuster des accessoires, vous devez vous assurer que le réfrigérateur est débranché de la source d'alimentation. Prenez des précautions pour éviter une chute de la poignée qui entraînerait des blessures.

Pieds de mise à niveau

Schéma des pieds de mise à niveau


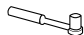
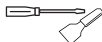



(L'image ci-dessus n'est fournie qu'à titre indicatif. La configuration réelle dépendra du produit ou des indications du distributeur.)

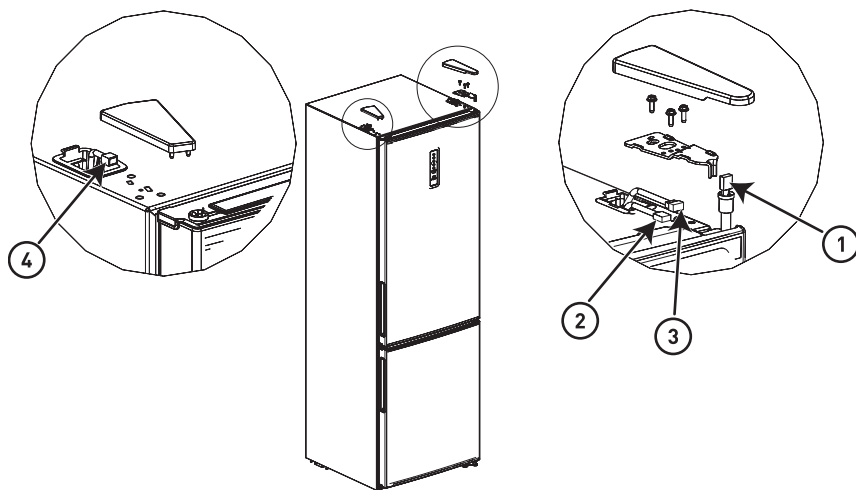
Méthode d'ajustement :

- Tournez les pieds dans le sens des aiguilles d'une montre pour relever le réfrigérateur ;
- Tournez les pieds dans le sens inverse des aiguilles d'une montre pour abaisser le réfrigérateur ;
- Ajustez les pieds droit et gauche selon la méthode décrite ci-dessus jusqu'à ce que l'appareil soit mis à niveau.

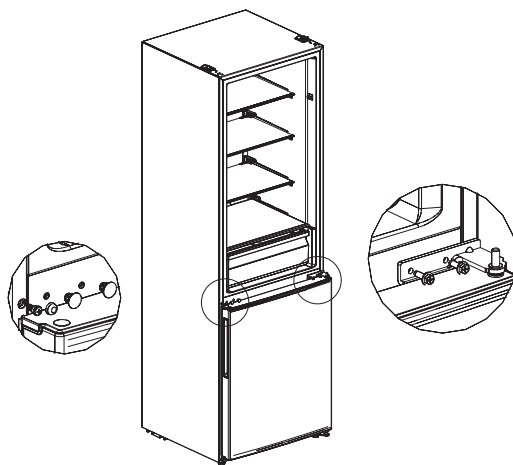
Conversion du sens d'ouverture de la porte (d'une ouverture sur la droite vers une ouverture sur la gauche)**Liste des outils fournis par l'utilisateur**

	Tournevis cruciforme
	Douille et cliquet de 7,95 mm
	Couteau à mastic, tournevis fin et plat
	Ruban de masquage

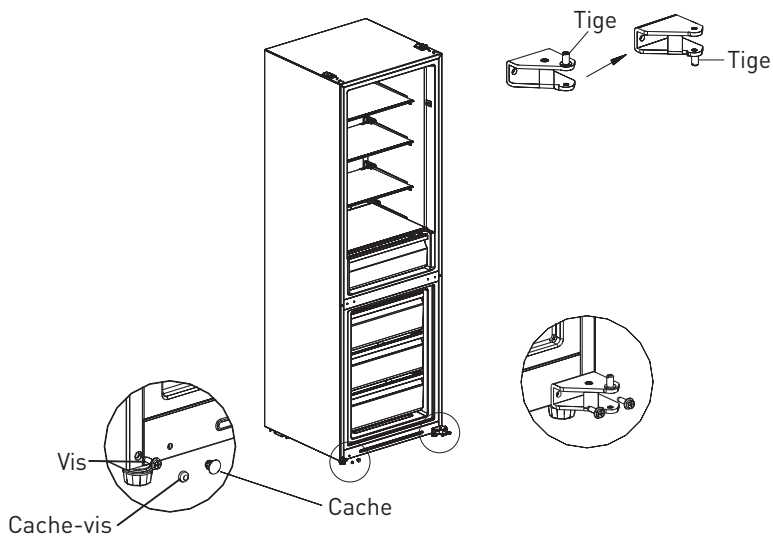
1. Mettez le réfrigérateur hors tension et retirez tous les objets des balconnets de porte.
2. Démontez le cache de la charnière supérieure, les vis et la charnière supérieure, puis retirez le cache de l'autre côté et débranchez le connecteur de câbles du côté droit en haut du réfrigérateur (① , ③ connecteur de câbles).



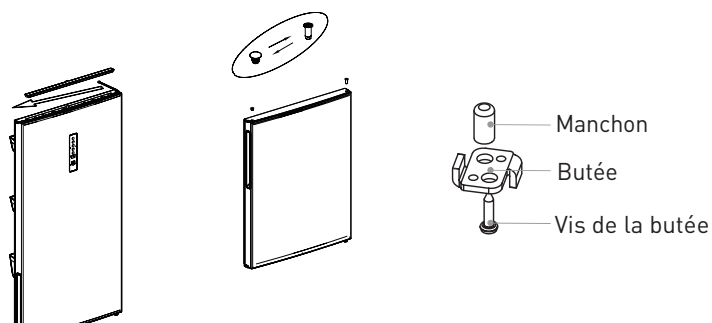
3. Démontez la charnière centrale, les vis et les cache-vis, puis retirez la porte du congélateur.



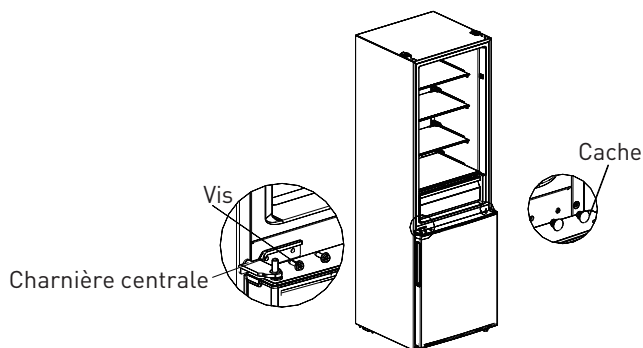
4. Démontez la charnière inférieure, les caches et les vis. Insérez la tige de la charnière inférieure de l'autre côté de la charnière inférieure, puis installez la charnière du côté opposé.



5. Démontez les vis, le manchon et la butée sur le couvercle inférieur des deux portes, puis installez-les consécutivement du côté opposé des portes (la butée doit être remplacée par celle du sachet additionnel). Retirez ensuite le couvercle supérieur de la porte du réfrigérateur et placez le faisceau de câbles avec manchon de l'autre côté de la porte. Enfin, installez le manchon de la charnière supérieure sur la porte du réfrigérateur, dans le trou situé de l'autre côté du couvercle supérieur de la porte du réfrigérateur.



6. Placez la porte du congélateur sur la charnière inférieure, installez la charnière centrale ainsi que les vis et les cache-vis.

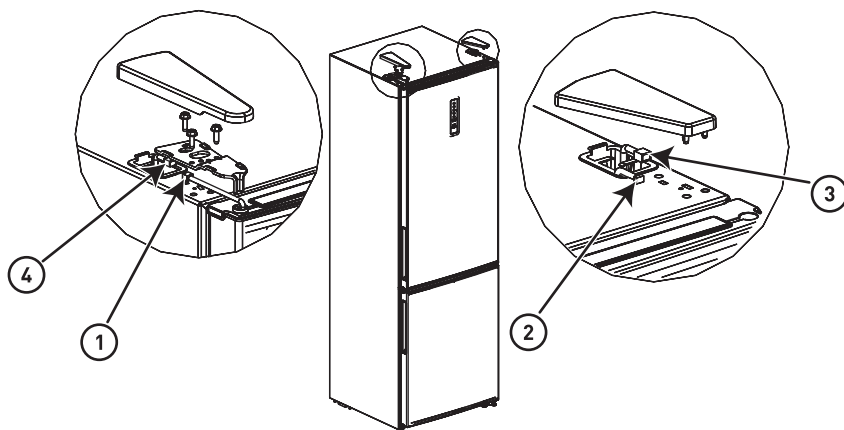


[L'image ci-dessus n'est fournie qu'à titre indicatif. La configuration réelle dépendra du produit ou des indications du distributeur.]

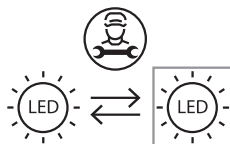
7. Placez la porte du compartiment de réfrigération sur la charnière centrale, puis installez la charnière supérieure de l'autre côté du réfrigérateur et enfin, connectez les bornes ①, ④ pour les câbles de signal à côté de la charnière supérieure et des bornes ②, ③ du côté opposé, avant de placer les caches sur la charnière et le trou.



Remarque : Les deux bornes ② et ③ doivent être connectées. Sinon l'écran de commande de la porte ne fonctionnera pas, car le circuit ne sera pas sous tension.



Changement de la lampe



- Ce produit contient une source lumineuse de classe d'efficacité énergétique F. La source lumineuse de ce produit ne peut être remplacée que par des professionnels qualifiés. Veuillez-vous rapprocher du service après-vente en cas de défaillance de la source lumineuse. Il convient de retirer la source lumineuse à la fin de la vie utile du produit, le tri et le recyclage étant effectués séparément.



1. Veuillez débrancher la fiche d'alimentation avant le retrait de la lampe.



2. Retirez la protection de la lampe à l'aide d'un tournevis.

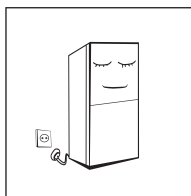


3. Retirez le panneau de la lampe.

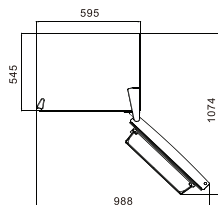


4. Retirez la borne de connexion.

Pour commencer



- Avant d'utiliser le réfrigérateur pour la première fois, gardez-le immobile pendant une demi-heure avant de le brancher à une prise secteur.
- Avant d'y placer des aliments frais ou surgelés, vous devez avoir laissé le réfrigérateur fonctionner pendant 2 à 3 heures, ou plus de 4 heures en été lorsque la température ambiante est élevée.

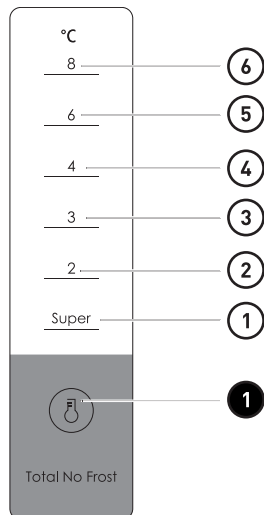


- Laissez assez d'espace pour pouvoir ouvrir les portes et retirer les bacs et tiroirs sans problème ou respectez l'espace libre nécessaire tel qu'indiqué par le distributeur.

Conseils pour économiser de l'énergie

- L'appareil doit se trouver dans la zone la plus froide de la pièce, à distance des appareils générant de la chaleur ou des conduits de chauffage, et hors de la lumière directe du soleil.
- Laissez les aliments chauds refroidir jusqu'à la température ambiante avant de les placer dans l'appareil. Surcharger l'appareil forcera le compresseur à fonctionner plus longtemps. Les aliments qui congèlent trop lentement peuvent perdre en qualité ou se gâter.
- Veillez à emballer correctement les aliments et essuyez les récipients avant de les placer dans l'appareil. Cela permettra de réduire l'accumulation de givre dans l'appareil.
- Les bacs et tiroirs de stockage de l'appareil ne doivent pas être couverts de papier aluminium, de papier ciré ou de serviettes en papier. Ce type de recouvrement perturbe la circulation de l'air froid, ce qui rend l'appareil moins efficace.
- Rangez et étiquetez les aliments pour réduire la durée d'ouverture des portes et les recherches prolongées. Retirez autant d'aliments que possible en même temps et fermez la porte aussi vite que possible.

Fonctions



(L'image ci-dessus n'est fournie qu'à titre indicatif. La configuration réelle dépendra du produit ou des indications du distributeur.)

Touche

- 1 Touche de réglage de la température

Écran d'affichage

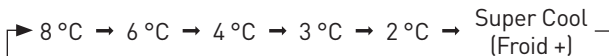
- | | |
|--|--------------------------------------|
| ① Réglage de la température 1 : Super Cool | ② Réglage de la température 2 : 2 °C |
| ③ Réglage de la température 3 : 3 °C | ④ Réglage de la température 4 : 4 °C |
| ⑤ Réglage de la température 5 : 6 °C | ⑥ Réglage de la température 6 : 8 °C |

Écran

- Lors de la mise sous tension du réfrigérateur, l'écran d'affichage (ainsi que les touches) s'allume et reste allumé pendant 3 secondes. Ensuite, le réfrigérateur commence à fonctionner selon le réglage de température 3.
- L'écran affiche les réglages de fonctionnement normal.
- En cas de dysfonctionnement, les voyants LED correspondants clignotent pour indiquer le code d'erreur (en alternance).
- S'il n'y a pas de dysfonctionnement, les voyants LED indiquent le réglage de température actuel.

Réglage de la température

- Le réglage de la température change chaque fois que vous appuyez sur la touche SET. Le réfrigérateur appliquera le nouveau réglage au bout de 15 secondes.



Mode Super Cool (Froid +)

- Activation : Faites défiler les réglages jusqu'au mode Super Cool (Froid +).
- Fonctionnement : Le voyant du mode Super Cool (Froid +) s'allume et le réfrigérateur quittera automatiquement le mode Super Cool après 40 heures de fonctionnement à basse température.
- Appuyez sur le bouton pour changer de réglage. Le réfrigérateur quittera alors le mode Super Cool (Froid +). Lorsque vous placez une grande quantité d'aliments dans le compartiment de congélation en même temps, il est recommandé d'activer le mode Super Cool 12 heures avant, afin de congeler rapidement les aliments et d'éviter la détérioration des aliments.

Réglage de l'obturateur d'air manuel

- Poussez l'obturateur d'air vers le haut pour que la température à l'intérieur du compartiment de congélation diminue.
- Poussez l'obturateur d'air vers le bas pour que la température à l'intérieur du compartiment de congélation augmente.

B

Utilisation de l'appareil

FREEZER-TEMP



Réglage du thermostat selon la température ambiante (°C) : NORMALE ≈ +24 °C (± 4 °C)

Réglage du thermostat selon la température ambiante (°C) : FROIDE ≈ +16 °C (± 4 °C)

Réglage du thermostat selon la température ambiante (°C) : CHAUDE ≈ +32 °C (± 4 °C)

Température ambiante	16 °C	24 °C	32 °C
Réfrigérateur	3 °C	3 °C	3 °C
Congélateur	<p>FREEZER-TEMP</p>	<p>FREEZER-TEMP</p>	<p>FREEZER-TEMP</p>

Codes d'erreur

Les avertissements suivants s'affichent à l'écran pour indiquer les erreurs du réfrigérateur correspondantes. Bien que les fonctions de réfrigération et de congélation puissent continuer à fonctionner lorsque les erreurs suivantes se produisent, l'utilisateur doit contacter un réparateur qualifié pour résoudre les problèmes, afin de garantir le fonctionnement normal de l'appareil.

Code d'erreur	Description du problème
Voyants LED 1 et LED 2 allumés	Défaillance du capteur de température du réfrigérateur
Voyants LED 1 et LED 3 allumés	Défaillance du capteur de dégivrage du congélateur
Voyants LED 1 et LED 4 allumés	Défaillance du capteur de température ambiante
Voyants LED 2 et LED 4 allumés	Problème de communication

**Remarque :**

La fonction de congélation rapide est conçue pour préserver la valeur nutritionnelle des aliments stockés dans le congélateur. Elle permet de congeler les aliments le plus rapidement. Si une grande quantité d'aliments doivent être congelés en même temps, il est recommandé d'activer la fonction de congélation rapide, puis de stocker les aliments. Lorsque la fonction est activée, la vitesse de congélation dans le compartiment de congélation est accélérée, ce qui permet de congeler les aliments rapidement et de préserver leurs nutriments tout en facilitant leur conservation.

Nettoyage et entretien du réfrigérateur

Nettoyage général

- La poussière se trouvant derrière le réfrigérateur et au sol doit être nettoyée régulièrement pour améliorer les performances et économiser de l'énergie.
- Vérifiez régulièrement le joint de porte pour vous assurer qu'il n'y a pas de débris. Nettoyez le joint de porte à l'aide d'un chiffon doux humidifié avec de l'eau savonneuse ou du détergent dilué.
- L'intérieur du réfrigérateur doit être nettoyé régulièrement pour éviter les odeurs.
- Avant de nettoyer l'intérieur du réfrigérateur, veuillez mettre l'appareil hors tension et retirer tous les aliments, boissons, clayettes, bacs, tiroirs, etc.
- Utilisez un chiffon doux ou une éponge et une solution composée de deux cuillères à soupe de bicarbonate de soude et d'un litre d'eau chaude pour nettoyer l'intérieur du réfrigérateur. Rincez ensuite à l'eau et essuyez. Après le nettoyage, ouvrez la porte et laissez sécher à l'air libre avant de remettre l'appareil sous tension.
- Nous vous recommandons d'essuyer régulièrement les zones difficiles à nettoyer à l'intérieur du réfrigérateur (les endroits, espaces, ou recoins étroits) avec un chiffon doux, une brosse douce, etc. et, lorsque cela est nécessaire, avec d'autres outils auxiliaires (comme des bâtonnets fins) pour vous assurer qu'il n'y a pas de dépôts de produits polluants ou de bactéries dans ces endroits.
- N'utilisez pas de savon, détergent, poudre abrasive, produit nettoyant en aérosol, etc. car ces produits pourraient entraîner des odeurs à l'intérieur du réfrigérateur ou contaminer les aliments.
- Nettoyez le porte-bouteilles, les clayettes, les bacs et les tiroirs à l'aide d'un chiffon doux humidifié avec de l'eau savonneuse ou du détergent dilué. Essuyez-les avec un chiffon doux ou laissez-les sécher à l'air libre.

- Essuyez la surface extérieure du réfrigérateur avec un chiffon doux humidifié avec de l'eau savonneuse, du détergent, etc., puis séchez-la en l'essuyant avec un chiffon sec.
- N'utilisez pas de brosse dure, laine d'acier, brosse métallique, produit abrasif (comme du dentifrice), solvant organique (comme de l'alcool, de l'acétone, de l'huile de banane, etc.), eau bouillante, produit acide ou alcalin, car ils pourraient endommager la surface et l'intérieur du réfrigérateur. L'eau bouillante et les solvants organiques tels que le benzène pourraient déformer ou endommager les parties en plastique.
- Ne rincez pas directement l'appareil avec de l'eau ou d'autres liquides pendant le nettoyage, pour éviter un court-circuit ou nuire à l'isolation électrique en cas d'immersion.

**AVERTISSEMENT :**

- Veuillez débrancher le réfrigérateur pour le dégivrage et le nettoyage.

**Dégivrage**

- Ce réfrigérateur fonctionne sur le principe de refroidissement par air et possède donc une fonction de dégivrage automatique. Le givre se formant en raison d'un changement de saison ou de température peut également être retiré manuellement en débranchant l'appareil de la source d'alimentation ou en l'essuyant à l'aide d'une serviette sèche.

Appareil hors service

- Panne de courant : En cas de panne de courant, l'appareil peut préserver les aliments qui y sont stockés pendant plusieurs

heures, même en été ; pendant une panne de courant, la fréquence d'ouverture de la porte doit être réduite et il ne faut pas mettre d'autres aliments frais dans le réfrigérateur.

- Inutilisation prolongée : L'appareil doit être débranché, puis nettoyé, et les portes doivent être laissées ouvertes pour éviter la formation d'odeurs.
- Transport : Avant de déplacer le réfrigérateur, retirez tous les aliments à l'intérieur, immobilisez les clayettes en verre, les bacs à légumes, les tiroirs du compartiment de congélation, etc. à l'aide de ruban adhésif, serrez les pieds de mise à niveau, fermez les portes et bloquez-les avec du ruban adhésif. Lors du transport, l'appareil ne doit pas être placé à l'envers, placé à l'horizontale ou secoué ; le degré d'inclinaison pendant le transport ne doit pas dépasser les 45°.



AVERTISSEMENT :

L'appareil doit fonctionner en continu une fois qu'il a démarré. En règle générale, le fonctionnement de l'appareil ne doit pas être interrompu, car cela pourrait nuire à sa durée de vie.

Guide de dépannage

Vous pouvez essayer de résoudre les problèmes simples suivants par vous-même. S'ils ne peuvent pas être réglés, veuillez contacter le service après-vente.

Problème	Solution
L'appareil ne fonctionne pas	<ul style="list-style-type: none"> • Vérifiez que l'appareil est branché à la source d'alimentation et que la fiche est bien insérée. • Vérifiez si la tension est trop basse. • Vérifiez s'il y a une panne de courant ou si certains circuits ont sauté.
Odeur	<ul style="list-style-type: none"> • Les aliments odorants doivent être bien emballés. • Vérifiez si des aliments sont gâtés. • Nettoyez l'intérieur du réfrigérateur.

Problème	Solution
Le compresseur fonctionne pendant une longue période	<ul style="list-style-type: none"> • Il est normal que le compresseur du réfrigérateur fonctionne plus longtemps en été, lorsque la température ambiante est plus élevée. • Il est préférable de ne pas stocker trop d'aliments dans l'appareil en même temps. • Les aliments doivent avoir refroidi avant d'être placés dans l'appareil. • Les portes sont ouvertes trop fréquemment.
La lampe ne s'allume pas	<ul style="list-style-type: none"> • Vérifiez si le réfrigérateur est branché à la source d'alimentation et si la lampe est endommagée. • Faites remplacer la lampe par un spécialiste.
Les portes ne se ferment pas correctement.	<ul style="list-style-type: none"> • Des emballages d'aliments bloquent la porte. • Le réfrigérateur est penché.
L'appareil émet des bruits forts.	<ul style="list-style-type: none"> • Vérifiez si le sol est plat et si le réfrigérateur est placé de façon stable. • Vérifiez si les accessoires sont installés au bon endroit.
Le joint de porte ne touche pas la surface.	<ul style="list-style-type: none"> • Retirez les corps étrangers se trouvant sur le joint de porte. • Chauffez le joint de porte et laissez-le refroidir pour le restaurer (ou utilisez un sèche-cheveux électrique ou une serviette chaude pour le chauffer).
Le bac à eau déborde	<ul style="list-style-type: none"> • Il y a trop d'aliments dans le compartiment ou les aliments stockés contiennent trop d'eau, ce qui entraîne un dégivrage plus intense. • Les portes ne sont pas fermées correctement, ce qui entraîne un givrage dû à l'air entrant et un écoulement d'eau plus important généré par le dégivrage.
Surface chaude	<ul style="list-style-type: none"> • La dispersion de chaleur générée par le condensateur sur la surface est un phénomène normal. • Lorsque la surface devient chaude en raison d'une température ambiante élevée ou d'une quantité d'aliments stockés trop importante, assurez-vous de fournir assez de ventilation pour faciliter la dispersion de chaleur.
Condensation de surface	<ul style="list-style-type: none"> • Il est normal d'observer de la condensation sur la surface extérieure et les joints de porte du réfrigérateur lorsque le taux d'humidité ambiante est trop élevé. Essayez simplement la condensation à l'aide d'une serviette propre.

Problème

Bruit anormal

Solution

- Bourdonnement : Le compresseur peut émettre un bourdonnement lorsqu'il fonctionne. Ce bourdonnement peut être fort, notamment au démarrage ou à l'arrêt du compresseur. Cela est normal.
 - Craquement : La circulation du réfrigérant à l'intérieur de l'appareil peut entraîner un bruit de craquement. Cela est normal.
-

Bedankt!

Proficiat met uw keuze voor een product van VALBERG. De selectie en de testen van de toestellen van VALBERG gebeuren volledig onder controle en supervisie van ELECTRO DEPOT. We staan garant voor de kwaliteit van de toestellen van VALBERG, die uitmunten in hun eenvoudig gebruik, hun betrouwbare werking en hun onberispelijke kwaliteit.

ELECTRO DEPOT beveelt de VALBERG toestellen aan en is ervan overtuigd dat u uiterst tevreden zal zijn bij elk gebruik van het toestel. Welkom bij ELECTRO DEPOT.

Bezoek onze website: www.electrodepot.be



ELECTRO DEPOT

36

NL

Inhoudstafel

A

**Overzicht van het
toestel**

Onderdelen

B

**Gebruik van het
toestel**

Juist gebruik van de koelkast
Functies

C

**Reiniging en
onderhoud**

Onderhoud en reiniging
Probleemoplossing

Onderdelen

A Ledverlichting

B Legplank

C Lade

D Deurvak

(De bovenstaande afbeelding dient alleen ter referentie. De werkelijke opstelling is afhankelijk van het fysieke product of zoals aangegeven door de verdeler)

Koelvak

- Het koelvak is geschikt voor het bewaren van verschillende soorten fruit, groente, drank en ander voedsel dat op korte termijn geconsumeerd moet worden, aanbevolen bewaartijd is 3 tot 5 dagen.
- Laat gekookte levensmiddelen eerst tot kamertemperatuur afkoelen voordat u ze in de koelkast plaatst.
- Het is aanbevolen om de levensmiddelen goed in te pakken voordat u ze in de koelkast plaatst.
- De glazen legplanken kunnen omhoog of omlaag worden aangepast voor meer bewaarruimte en een eenvoudig gebruik.

Vriesvak

- De lage temperatuur in het vriesvak houdt levensmiddelen gedurende een lange periode vers en wordt voornamelijk gebruikt voor het bewaren van bevroren levensmiddelen en het maken van ijsblokjes.
- Het vriesvak is geschikt voor het bewaren van vlees, vis, rijstballetjes en andere levensmiddelen die u niet op korte termijn zult consumeren.
- Splits grote stukken vlees in afzonderlijke verpakkingen zodat u deze snel kunt invriezen en eenvoudig kunt uitnemen. Eet de levensmiddelen voor de aangegeven vervaldatum.

Lades, deurvakken en legplanken zijn het meest energiebesparend wanneer geplaatst zoals in de fabriek. Raadpleeg de bovenstaande afbeeldingen.



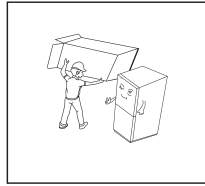
OPMERKING:

Als u na ingebruikname van het apparaat te veel levensmiddelen inbrengt, kan dit een negatieve impact op de koelprestaties van het apparaat hebben.

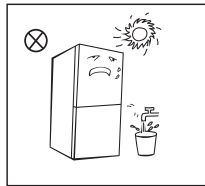
Juist gebruik van de koelkast

Plaatsing

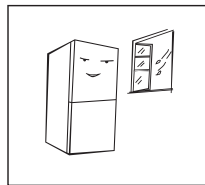
- Verwijder vóór gebruik verwijder alle verpakkingsmateriaal, waaronder de kussens aan de onderkant en de schuimpads en kleefband binnenin de koelkast. Verwijder tevens de beschermfolie op de deuren en de buitenkant.



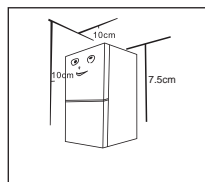
- Houd het toestel uit de buurt van een warmtebron of direct zonlicht. Plaats de koelkast niet in een vochtige of natte omgeving om roestvorming een aantasting van het isolatievermogen te vermijden.



- Besproei of was de koelkast niet en installeer de koelkast niet in een vochtige omgeving waar het eenvoudig met water bespat kan worden om de elektrische isolatie-eigenschappen van de koelkast niet aan te tasten.



- Installeer de koelkast in een goed geventileerde binnenruimte; de ondergrond moet vlak en stevig zijn (draai naar links of rechts om de stelwieljes te regelen wanneer het toestel niet stabiel staat).



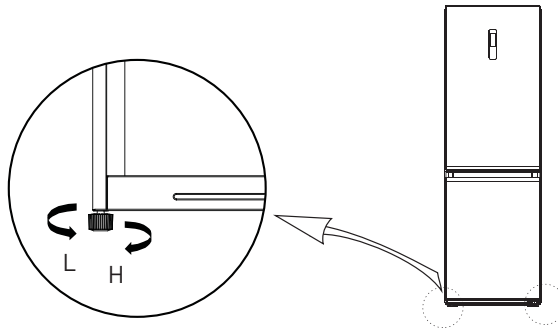
- Laat de lucht vrij rond de kast circuleren. Zorg er bij het installeren van het apparaat voor dat er aan beide zijden 10 cm vrije ruimte is, 10 cm aan de bovenkant van het apparaat en niet meer dan 7,5 cm aan de achterkant van het apparaat.

**WAARSCHUWING:**

- Voordat het toestel wordt geïnstalleerd of de accessoires worden aangepast, zorg ervoor dat de stekker van de koelkast uit het stopcontact is gehaald. Neem de nodige voorzorgsmaatregelen om het loskomen van de handgreep en het risico op persoonlijk letsel te voorkomen.

Stelvoetjes

Schematische weergave van de stelvoetjes


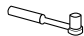
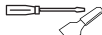



[De bovenstaande afbeelding dient alleen ter referentie. De werkelijke opstelling is afhankelijk van het fysieke product of zoals aangegeven door de verdeler.]

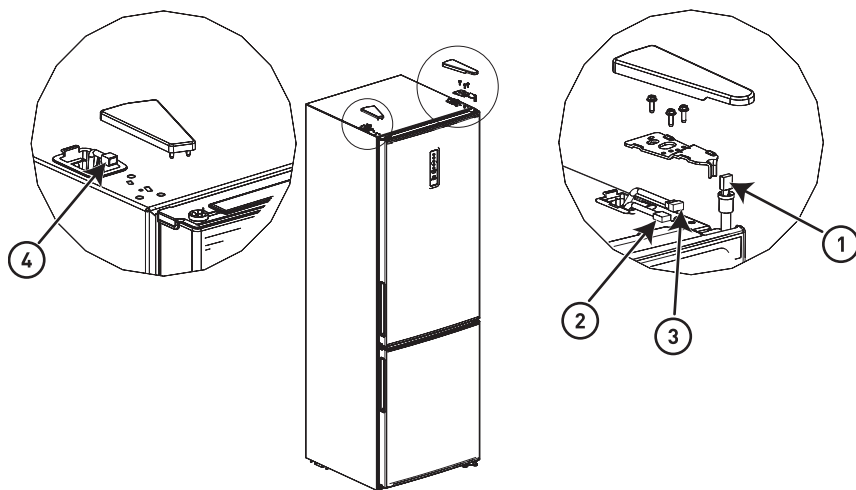
De stelvoetjes afstellen:

- Draai de voetjes met de klok mee om de koelkast te verhogen;
- Draai de voetjes tegen de klok in om de koelkast te verlagen;
- Stel het rechter en linker voetje af op basis van bovenstaande procedure totdat het toestel waterpas staat.

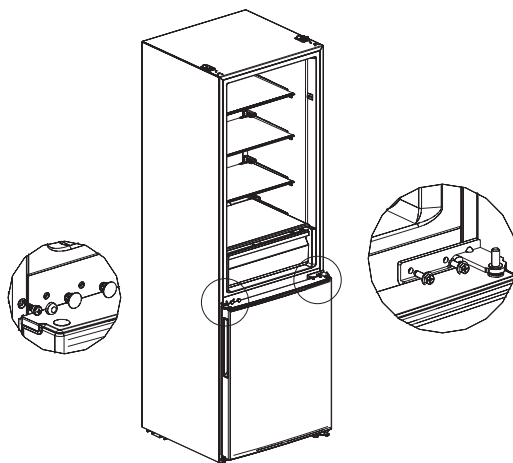
Deur van rechts naar links verwisselen**Lijst met gereedschap door de gebruiker te voorzien**

	Kruiskopschroevendraaier
	5/16" dop en ratelsleutel
	Plamuurmes en smalle sleufkopschroevendraaier
	Afplakband

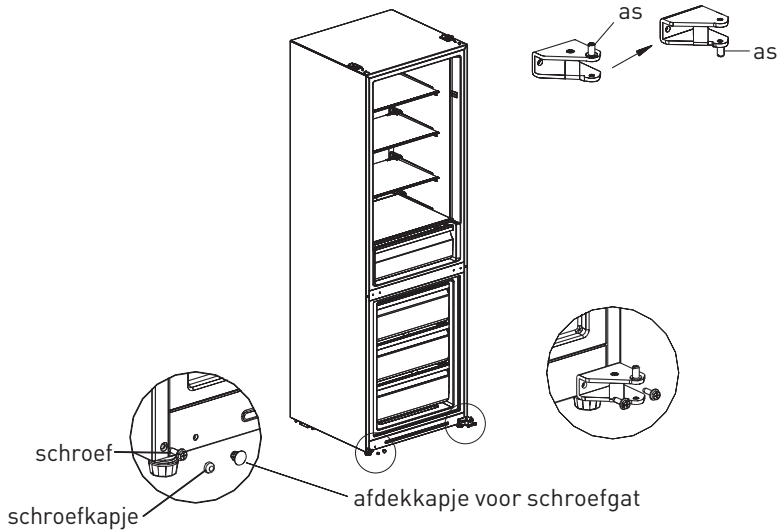
1. Schakel de koelkast uit en haal alle voorwerpen uit de deurvakken.
2. Haal het bovenste scharnierkapje, de schroeven en de bovenste scharnier af, en verwijder het kapje van het schroefgat aan de andere kant. Ontkoppel de bedradingsconnector in de rechterbovenhoek van de koelkast (①, ③ bedradingsconnector).



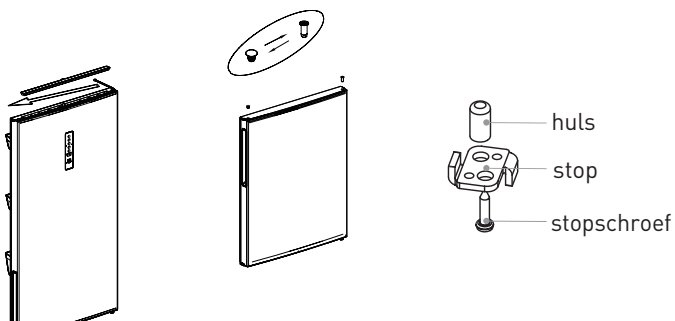
3. Haal de middelste scharnier, de schroeven en de afdekkapjes voor de schroefgaten af en verwijder de diepvriesdeur.



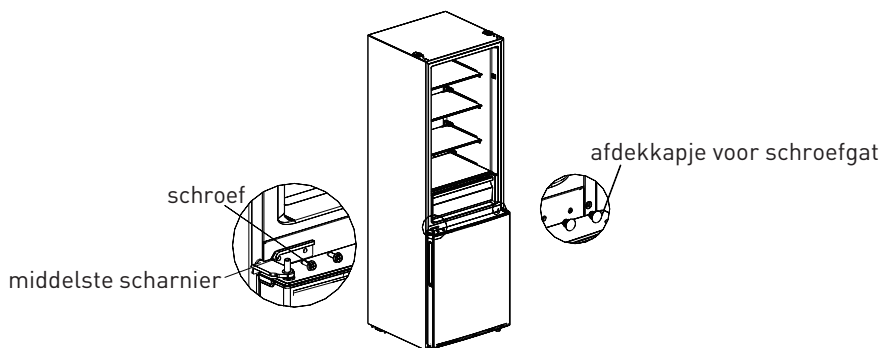
4. Haal de onderste scharnier, de afdekkapjes voor de schroefgaten en de schroeven af. Installeer de onderste scharnieras aan de andere kant van de onderste scharnier en installeer de scharnier aan de andere kant.



5. Haal de schroeven, huls en stop op de onderste eindkap van de twee deuren af en monteer ze achtereenvolgens aan de andere kant van de deuren (vervang de stop door deze in het inbegrepen zakje). Verwijder vervolgens de bovenste eindkap van de deur van de koelkastdeur en breng de kabelboom met een huls naar de andere kant van de deur. Steek als laatste de huls van de bovenste scharnier van de koelkastdeur in het gat aan de andere kant van de bovenste eindkap van de koelkastdeur.



6. Plaats de diepvriesdeur op de onderste scharnier, installeer de middelste scharnier, de schroeven en de afdekkapjes voor de schroefgaten.

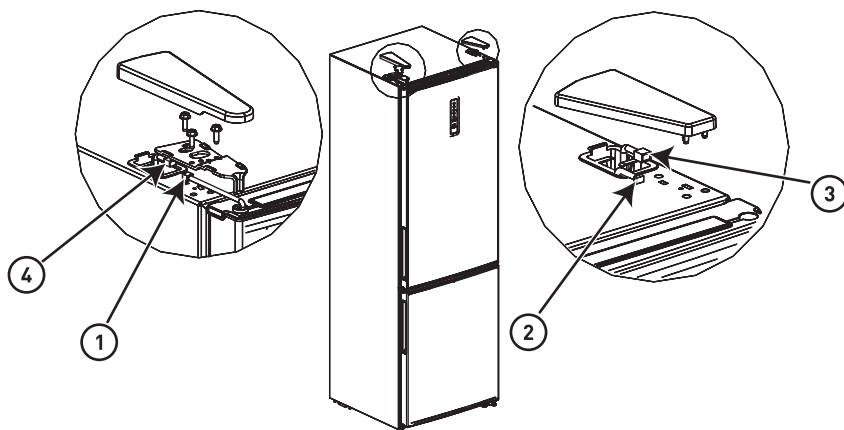


(De bovenstaande afbeelding dient alleen ter referentie. De werkelijke opstelling is afhankelijk van het fysieke product of zoals aangegeven door de verdeler)

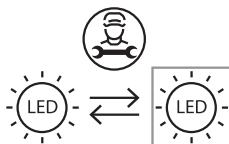
7. Plaats de deur voor het koelvak op de middelste scharnier, installeer vervolgens de bovenste scharnier aan de andere kant van de koelkast, maak ten slotte de aansluitingen ①, ④ voor de signaaldraden aan de kant van de bovenste scharnier en de aansluitingen ②, ③ aan de andere kant en breng het scharnierkapje en het kapje voor het schroefgat aan.



Opmerking: De twee aansluitingen ② en ③ moeten met elkaar verbonden zijn, anders licht het bedieningsscherm op de deur niet op gezien het systeem niet onder stroom staat.



De lamp vervangen



- Dit product bevat een lichtbron van energie-efficiëntieklasse F. De lichtbron in dit product kan alleen worden vervangen door een gekwalificeerde vakman. Neem contact op met de klantenservice als de lichtbron niet werkt. De lichtbron moet aan het einde van de gebruiksduur van het product worden verwijderd en apart worden gesorteerd en gerecycled.



1. Haal de stekker uit het stopcontact voordat u de lamp verwijdert.



2. Verwijder de lampenkap met een schroevendraaier.

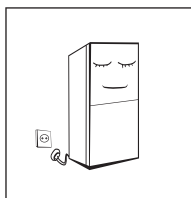


3. Haal het lampenpaneel af.

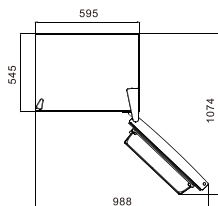


4. Verwijder de aansluitklem.

Ingebruikname



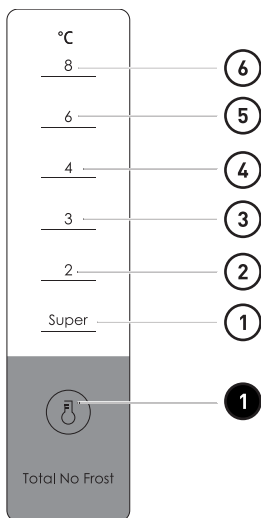
- Laat de koelkast voor ingebruikname een half uur staan voordat u de stekker in het stopcontact steekt.
- Laat de koelkast eerst 2 tot 3 uur voorcoelen voordat vers of bevroren toevoegt. De koelkast moet 's zomers langer dan 4 uur voorcoelen, aangezien de omgevingstemperatuur hoog is.



- Zorg voor voldoende vrije ruimte zodat de deuren en laden probleemloos open kunnen of laat voldoende vrije ruimte zoals aangegeven door de verdeler.

Tips voor energiebesparing

- Plaats het apparaat in de koudste plaats van de kamer, uit de buurt van warmte producerende apparaten of warmteleidingen, en direct zonlicht.
- Laat warm voedsel eerst tot kamertemperatuur afkoelen alvorens ze in het apparaat te plaatsen. Te veel voedsel in het apparaat plaatsen, zorgt voor een langere werking van de compressor. Voedsel dat te langzaam wordt ingevroren kan aan kwaliteit verliezen of bederven.
- Pak het voedsel goed in en veeg de houders droog voordat u het in het apparaat plaatst. Dit zorgt voor minder ijsvorming in het apparaat.
- Bekleed de opslagruimte van het apparaat niet met aluminiumfolie, was- of keukenpapier. De bekleding kan de circulatie van koude lucht hinderen waardoor de koelprestaties afnemen.
- Orden en label voedsel om het openen van de deur zo kort mogelijk te houden. Haal zoveel mogelijk voedsel tegelijkertijd uit en sluit de deur zo snel mogelijk.

Functies

(De bovenstaande afbeelding dient alleen ter referentie. De werkelijke opstelling is afhankelijk van het fysieke product of zoals aangegeven door de verdeler)

Toets

- 1 Temperatuur instelknop

Scherm

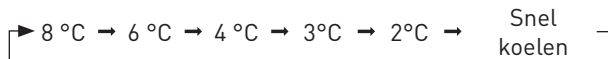
- | | |
|--|---------------------------------|
| ① temperatuurinstelling 1: snel koelen | ② temperatuurinstelling 2: 2 °C |
| ③ temperatuurinstelling 3: 3 °C | ④ temperatuurinstelling 4: 4 °C |
| ⑤ temperatuurinstelling 5: 6 °C | ⑥ temperatuurinstelling 6: 8 °C |

Display

- Wanneer de koelkast wordt ingeschakeld, zal het scherm (en het toetslampje) gedurende 3 seconden branden, waarna de koelkast in temperatuurinstelling 3 werkt.
- Weergave van een normale werking
- Als er een storing optreedt, geeft de overeenkomstige ledverlichting een gecombineerde weergave van de storingscode weer (in lusvorm).
- Als er geen storing is, geeft de ledverlichting de huidige temperatuurinstelling weer.

De instelling wijzigen

- De temperatuurinstelling wordt gewijzigd telkens u op de toets SET drukt. De koelkast zal na 15 sec volgens de nieuwe instelling werken.

**Snelle koelmodus**

- Activering: Circulerende modulatie Snelle modus
- Werking: De indicator van de Snelle koelmodus licht op. De koelkast verlaat de Snelle koelmodus automatisch na 40 uur continu draaien op een lage temperatuur.
- Druk op de knop om naar een andere stand te schakelen. De Snelle koelmodus wordt geannuleerd. Wanneer een grote hoeveelheid voedsel in één keer in het vriesvak wordt geplaatst, wordt het aanbevolen om de snelle koelmodus 12 uur van tevoren in te schakelen, zodat het voedsel snel kan worden ingevroren en bederf wordt voorkomen.

De luchtschuif regelen

- Breng de luchtschuif omhoog en de werkelijke temperatuur in het vriesvak neemt af.
- Breng de luchtschuif omlaag en de werkelijke temperatuur in het vriesvak neemt toe.

FREEZER-TEMP



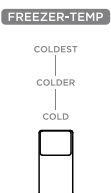
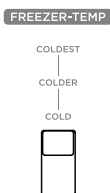
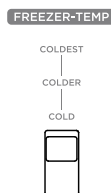
B

Gebruik van het toestel

Thermostaatinstelling voor omgevingstemp in °C: NORMAAL ≈ +24 °C (± 4 °C)

Thermostaatinstelling voor omgevingstemp in °C: KOUD ≈ +16 °C (± 4 °C)

Thermostaatinstelling voor omgevingstemp in °C: WARM ≈ +32 °C (± 4 °C)

Omgevingstemperatuur	16°C	24°C	32°C
Koelkast	3°C	3°C	3°C
Diepvries			

Foutcode

De volgende waarschuwingen die op het display verschijnen, duiden op een overeenkomstige storing van de koelkast. Hoewel de koelkast met de volgende storingen nog steeds kan koelen en invriezen, moet de gebruiker voor onderhoud contact opnemen met een onderhoudsspecialist om een normale werking van het apparaat te garanderen.

Foutcode	Foutbeschrijving
LED 1 en LED 2 branden	Fout van de koelingstemperatuursensor
LED 1 en LED 3 branden	Fout van de ontdooisensor van vriezer
LED 1 en LED 4 branden	Fout van de omgevingstemperatuursensor.
LED 2 en LED 4 branden	Communicatiefout



Opmerking:

De snelle vriesfunctie is ontworpen om de voedingswaarde van het voedsel in de vrieskast te behouden. Het kan het voedsel in de kortst mogelijke tijd invriezen. Als een grote hoeveelheid voedsel in één keer wordt ingevroren, wordt het aanbevolen dat de gebruiker de snelle vriesfunctie gebruikt voordat het voedsel in het apparaat wordt gestopt. De vriessnelheid in het vriesvak wordt in dit geval verhoogd, waardoor het voedsel sneller invriest en de voedingswaarde van het voedsel beter wordt behouden.

Onderhoud en reiniging

Algemene reiniging

- Verwijder het stof achteraan de koelkast en op de grond tijdig voor betere koelprestaties en lagere energiekosten.
- Controleer de deuropakking regelmatig om er zeker van te zijn dat er geen vuil op zit. Reinig de deuropakking met een zachte doek bevochtigd met zeepwater of een verdund schoonmaakmiddel.
- Maak de binnenkant van de koelkast regelmatig schoon om geurvorming te vermijden.
- Haal de stekker uit het stopcontact voordat u de binnenkant reinigt en verwijder al het voedsel, drank, legplanken, laden, etc.
- Gebruik een zachte doek of spons om de binnenkant van de koelkast schoon te maken, met behulp van twee eetlepels zuiveringszout en één liter warm water. Spoel vervolgens met water en veeg schoon. Open na reiniging de deur en laat de koelkast aan de lucht drogen voordat u de stekker in het stopcontact steekt.
- Voor zones die moeilijk te reinigen zijn binnenin de koelkast (zoals nauwe ruimtes, openingen of hoeken) raden wij aan deze regelmatig schoon te vegen met een zachte doek, zachte borstel, etc. en indien nodig met bepaalde hulpmiddelen (zoals een dun stokje) om ervoor te zorgen dat er zich geen vuil of bacteriën in deze zones ophopen.
- Gebruik geen zeep, reinigingsmiddel, schuurpoeder, reinigingspray, etc., deze kunnen geuren in de koelkast achterlaten of het voedsel verontreinigen.
- Reinig de deurvakken, de legplanken en de laden met een zachte doek die is bevochtigd met zeepwater of een verdund schoonmaakmiddel. Veeg droog met een zachte doek of laat aan de lucht drogen.
- Veeg de buitenkant van de koelkast schoon met een zachte doek die is bevochtigd met zeepwater, afwasmiddel, etc. en veeg vervolgens droog.

- Gebruik geen harde borstels, schuursponsjes, staalborstels, schuurmiddelen (zoals tandpasta), organische oplosmiddelen (zoals alcohol, aceton, bananenolie, etc.), kokend water, zure of alkalische middelen, die de buiten- en buitenkant van de koelkast kunnen beschadigen. Kokend water en organische oplosmiddelen, zoals benzeen, kunnen de plastic onderdelen vervormen of beschadigen.
- Spoel niet direct met water of een andere vloeistof tijdens het reinigen om kortsluiting te voorkomen of de elektrische isolatie na onderdompeling niet aan te tasten.

**WAARSCHUWING:**

- Haal de stekker uit het stopcontact voordat de koelkast wordt ontdooid of gereinigd.

**Ontdooien**

- De koelkast is gemaakt op basis van het luchtkoelingsprincipe en is aldus voorzien van een automatische ontdooifunctie. Ijs gevormd door verandering van het seizoen of de temperatuur kan ook handmatig worden verwijderd door de stekker uit het stopcontact te trekken of het met een droge doek weg te vegen.

Buiten bedrijf

- Stroomuitval: In geval van stroomuitval, zelfs wanneer het zomer is, kan het voedsel nog enkele uren in het apparaat worden bewaard. Open de deur tijdens de stroomuitval zo kort mogelijk en voeg geen vers voedsel aan het apparaat toe.

- Lange periode van niet gebruik: Haal de stekker uit het stopcontact en maak het apparaat schoon. Houd de deuren vervolgens open om geurvorming te vermijden.
- Verplaatsen: Voordat de koelkast wordt verplaatst, haal de inhoud eruit, zet de glazen legplanken, de groentelade en de opbergladen van het vriesvak, etc. vast met kleefband, draai de stelvoetjes vast, en sluit de deuren en zet ze vast met kleefband. Leg het apparaat tijdens het verplaatsen niet ondersteboven of horizontaal en stel het niet bloot aan trillingen. Het apparaat mag tevens niet meer dan 45° overhellen.



WAARSCHUWING:

Het apparaat moet continu in werking zijn wanneer ingeschakeld. In het algemeen mag de werking van het apparaat niet worden onderbroken, dit kan de levensduur verkorten.

Probleemoplossing

U kunt de volgende problemen eenvoudig zelf oplossen. Als het probleem niet opgelost raakt, neem dan contact op met de klantenservice.

Probleem	Oplossing
Het apparaat werkt niet	<ul style="list-style-type: none"> • Controleer of het apparaat op de voeding is aangesloten en of de stekker goed contact maakt • Controleer of de spanning niet te laag is • Controleer of er een stroomonderbreking is of dat er gedeeltelijke circuits zijn uitgevallen
Geur	<ul style="list-style-type: none"> • Voedsel met een sterke geur moet goed worden ingepakt • Controleer of er geen bedorven voedsel aanwezig is • Maak de binnenkant van de koelkast schoon
Langdurig gebruik van de compressor	<ul style="list-style-type: none"> • Een langdurige werking van de koelkast is normaal tijdens de zomer wanneer de omgevingstemperatuur hoog is. • Het is niet aan te raden om overmatig veel voedsel tegelijkertijd in het apparaat te hebben. • Koel het voedsel af voordat het in het apparaat wordt geplaatst. • De deuren worden te vaak geopend.

Probleem	Oplossing
Het licht brandt niet	<ul style="list-style-type: none"> Controleer of stekker van de koelkast in het stopcontact zit en of het controlelampje niet beschadigd is. Laat de lamp vervangen door een specialist
Deuren kunnen niet goed dicht zijn	<ul style="list-style-type: none"> De deur zit vast door voedselverpakkingen De koelkast is gekanteld
Veel lawaai	<ul style="list-style-type: none"> Controleer of de vloer vlak is en of de koelkast stabiel staat. Controleer of de accessoires op de juiste plaats zitten
De deurafdichting dicht niet goed af	<ul style="list-style-type: none"> Verwijder ongewenste materialen op de deurafdichting Verwarm de deurafdichting en koel deze vervolgens af om te herstellen (of blaas met een elektrische haardroger of gebruik een hete handdoek gebruiken om te verwarmen).
Waterbak loopt over	<ul style="list-style-type: none"> Er is te veel voedsel in het vak of het bewaarde voedsel bevat te veel water, dit resulteert in een hevige ontdooiing. De deuren zijn niet goed dicht, wat leidt tot ijsvorming door het indringen van lucht en meer water door het ontdooien.
Warme behuizing	<ul style="list-style-type: none"> Warmteafvoer van de ingebouwde condensor via de behuizing, dit is normaal Wanneer de behuizing heet wordt door een hoge omgevingstemperatuur, bewaring van te veel voedsel, zorg dan voor een goede ventilatie om de warmteafvoer te vergemakkelijken.
Oppervlaktecondensatie	<ul style="list-style-type: none"> Condensatie op het buitenoppervlak en de deurafdichtingen van de koelkast is normaal wanneer de omgevingsvochtigheid te hoog is. Veeg het condensaat gewoon af met een schone doek.
Abnormaal geluid	<ul style="list-style-type: none"> Gezoem: De compressor kan tijdens de werking zoemen, en het gezoem is luid, vooral bij het starten of stoppen. Dit is normaal. Gekraak: Koudemiddel dat binnenin het apparaat stroomt, kan gekraak veroorzaken, dit is normaal.

¡Muchas gracias!

Muchas gracias por haber elegido nuestro producto VALBERG. Seleccionados, testados y recomendados por ELECTRO DEPOT, los productos de la marca VALBERG le aseguran una utilización sencilla, un rendimiento fiable y una calidad incuestionable.

Con este dispositivo puede estar seguro de que siempre quedará satisfecho al utilizarlo. Le damos la bienvenida a ELECTRO DEPOT.

Visite nuestra página web: www.electrodepot.es



ELECTRO DEPOT

52

ES

A

**Descripción del
aparato**

Partes

B

**Utilización del
aparato**

Uso correcto del frigorífico
Funciones

C

**Limpieza y
mantenimiento**

Mantenimiento y cuidado de los frigoríficos
Solución de problemas

Partes

- A** Luz LED
- B** Estante
- C** Cajón
- D** Bandeja de la puerta

(La imagen anterior solo es una referencia. La configuración real dependerá del producto físico o de lo que indique el distribuidor).

Cámara frigorífica

- La cámara frigorífica es adecuada para almacenar diversas frutas, verduras, bebidas y otros alimentos que se consumirán a corto plazo: el tiempo de almacenamiento recomendado es de 3 a 5 días.
- Los alimentos cocinados no deberán introducirse en la cámara frigorífica hasta que se hayan enfriado a temperatura ambiente.
- Se recomienda envasar herméticamente los alimentos antes de meterlos en el frigorífico.
- Los estantes de cristal pueden ajustarse hacia arriba o hacia abajo para disponer de una cantidad razonable de espacio de almacenamiento y facilitar su uso.

Cámara de congelación

- La cámara de congelación de baja temperatura puede mantener los alimentos frescos durante mucho tiempo y se utiliza principalmente para almacenar alimentos congelados y fabricar hielo.
- La cámara de congelación es adecuada para almacenar carne, pescado, bolas de arroz y otros alimentos que no se vayan a consumir a corto plazo.
- Es preferible cortar las piezas de carne en trozos pequeños para que se congelen rápidamente y acceder a ellos fácilmente. Tenga en cuenta que los alimentos deberán consumirse en el plazo de conservación.

Los cajones, las cajas de alimentos y los estantes son los que ahorran más energía al colocarse de fábrica. Consulte las imágenes anteriores.



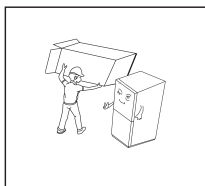
NOTA:

Almacenar demasiados alimentos durante el funcionamiento tras la conexión inicial a la corriente eléctrica puede afectar negativamente al efecto de congelación del frigorífico.

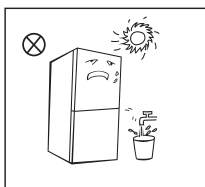
Uso correcto del frigorífico

Colocación

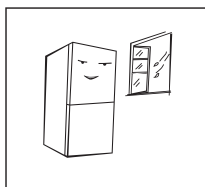
- Antes de su uso, retire todos los materiales de embalaje, incluyendo las almohadillas inferiores, las almohadillas de espuma y las cintas adhesivas del interior del frigorífico; y despegue la película protectora de las puertas y del cuerpo del frigorífico.



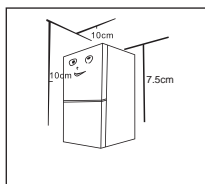
- Manténgalo alejado del calor y evite exponerlo a la luz solar directa. No coloque el congelador en lugares húmedos o mojados para evitar la oxidación o la reducción del efecto aislante.



- No rocíe ni lave el frigorífico, no coloque el frigorífico en lugares húmedos donde sea fácil que salpique agua para no afectar a las propiedades de aislamiento eléctrico del frigorífico.



- El frigorífico debe colocarse en un lugar interior bien ventilado; el suelo debe ser plano y resistente (gire a la izquierda o a la derecha para ajustar la rueda de nivelación en caso de inestabilidad).



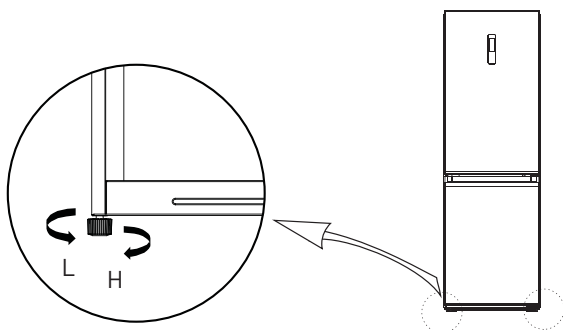
- Deje que el aire circule libremente alrededor del aparato. Cuando instale el aparato, asegúrese de dejar 10 cm de espacio libre a ambos lados, 10 cm en la parte superior del aparato y no más de 7,5 cm en la parte trasera del mismo.

**ADVERTENCIA:**

- Antes de utilizar o ajustar los accesorios, asegúrese de que el frigorífico está desconectado de la corriente eléctrica. Deberán tomarse precauciones para evitar que la caída del asa provoque daños personales.

Patas niveladoras

Diagrama esquemático de las patas niveladoras


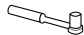
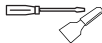



(La imagen anterior solo es una referencia. La configuración real dependerá del producto físico o de lo que indique el distribuidor).

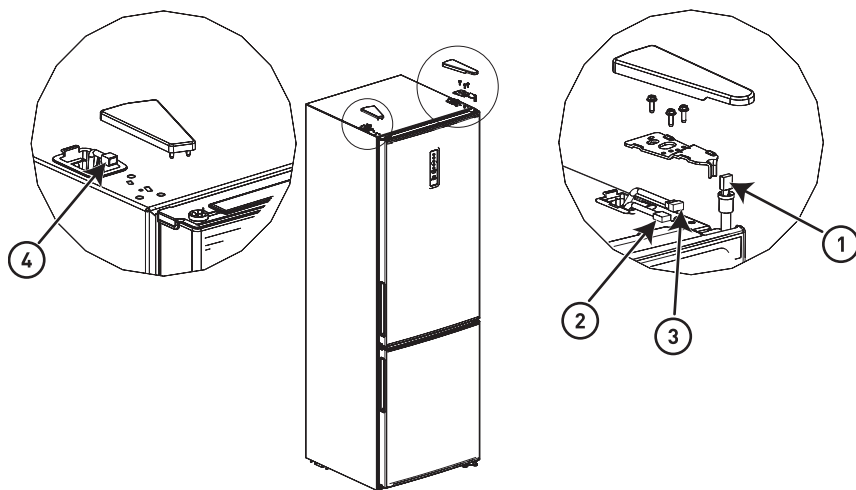
Procedimientos de ajuste:

- Gire las patas en el sentido de las agujas del reloj para elevar el frigorífico;
- Gire las patas en el sentido contrario a las agujas del reloj para bajar el frigorífico;
- Ajuste las patas derecha e izquierda según los procedimientos anteriores a un nivel horizontal.

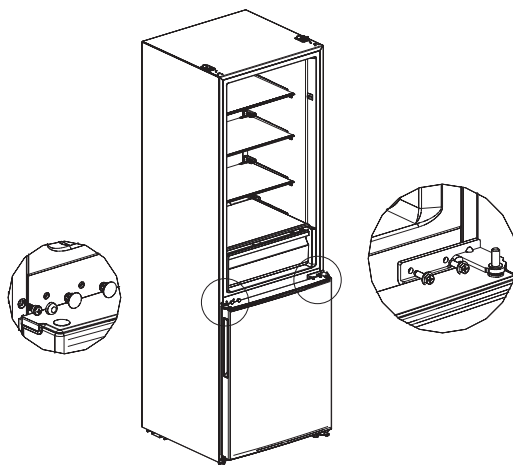
Cambio puerta derecha-izquierda**Lista de herramientas que debe proporcionar el usuario**

	Destornillador de estrella
	Llave de vaso de 5/16" y carraca
	Espátula destornillador de punta fina
	Cinta adhesiva

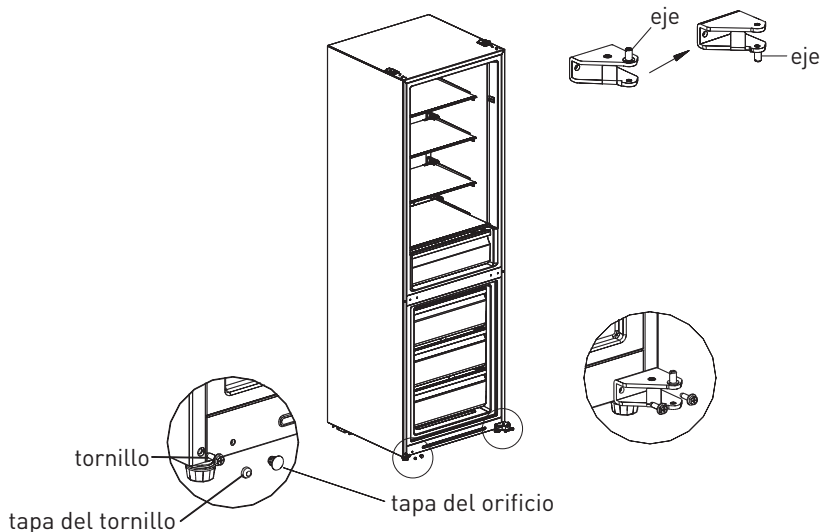
1. Apague el frigorífico y retire todos los objetos de las bandejas de la puerta.
2. Desmonte la tapa de la bisagra superior, los tornillos y la bisagra superior, y retire la tapa del orificio del otro lado. Desenchufe el conector de cableado del lado derecho de la parte superior del frigorífico (① y ③ conector de cableado).



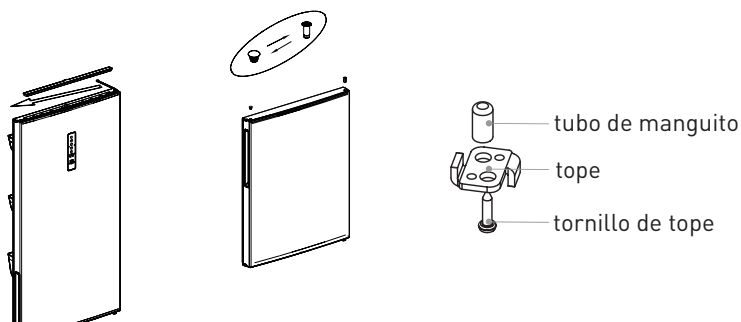
3. Desmonte la bisagra central, los tornillos, las tapas de los orificios de los tornillos y retire la puerta del congelador.



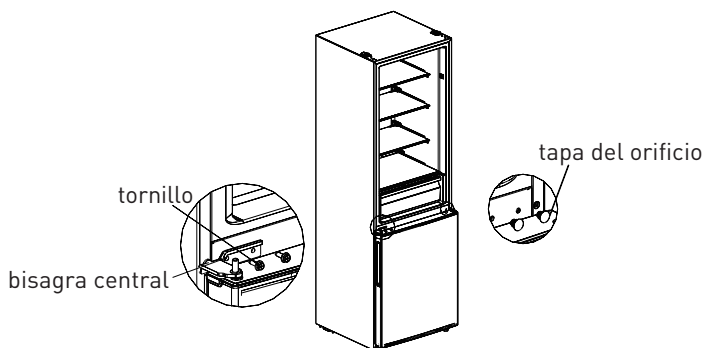
4. Desmonte la bisagra inferior, las tapas de los orificios y los tornillos. Instale el eje de la bisagra inferior en el otro lado de la bisagra inferior y, a continuación, instale la bisagra en el otro lado.



5. Desmonte los tornillos, el tubo de manguito y el tope de la tapa del extremo inferior de los dos cuerpos de la puerta e instálelos sucesivamente en el otro lado de los cuerpos de la puerta (el tope debe sustituirse por el adicional de la bolsa). A continuación, retire la cubierta del extremo superior de la puerta del refrigerador y cambie el haz de cables con un tubo de manguito al otro lado del cuerpo de la puerta. Por último, instale el tubo del manguito de la bisagra superior de la puerta del frigorífico en el orificio del otro lado de la tapa del extremo superior de la puerta del frigorífico.



6. Coloque la puerta del congelador en la bisagra inferior, instale la bisagra central, los tornillos y las tapas de los orificios de los tornillos.

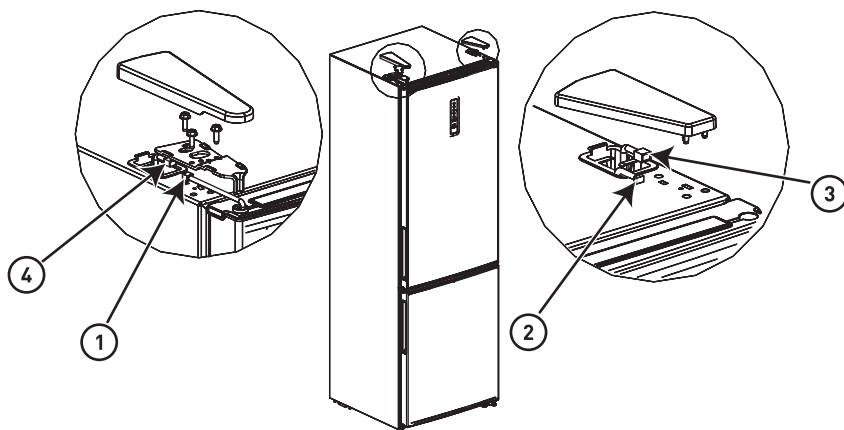


[La imagen anterior solo es una referencia. La configuración real dependerá del producto físico o de lo que indique el distribuidor].

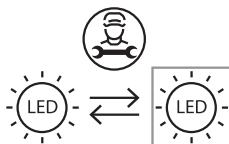
7. Coloque el cuerpo de la puerta del compartimento frigorífico en la bisagra central, luego instale la bisagra superior en el otro lado del bastidor y, por último, conecte los terminales ① y ④ para los cables de señal en el lado de la bisagra superior y los terminales ② y ③ en el otro lado y ponga la tapa de la bisagra y la tapa del agujero.



Nota: Los dos terminales ② y ③ deben estar conectados, de lo contrario la pantalla de control de visualización de la puerta no funcionará porque el circuito carecerá de alimentación.



Cambiar la luz



- Este producto contiene una fuente de luz de clase de eficiencia energética F. La fuente de luz de este producto solo pueden sustituirla técnicos cualificados. Póngase en contacto con el servicio de posventa si falla la fuente de luz. La fuente de luz deberá sacarse al final de la vida útil del producto, y la clasificación y el reciclado se harán por separado.



1. Quite la tapa antes de desmontarla.



2. Retire la pantalla de la lámpara con un destornillador.

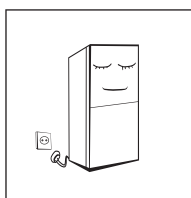


3. Desmonte el panel de la lámpara.

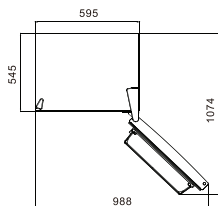


4. Retire el terminal de conexión.

Empezar a usar



- Antes de ponerlo en funcionamiento por primera vez, mantenga el frigorífico inmóvil durante dos horas antes de conectarlo a la toma de corriente.
- Antes de introducir cualquier alimento fresco o congelado, el frigorífico deberá haber estado funcionando durante 2-3 horas o durante más de 4 horas en verano cuando la temperatura ambiente es alta.

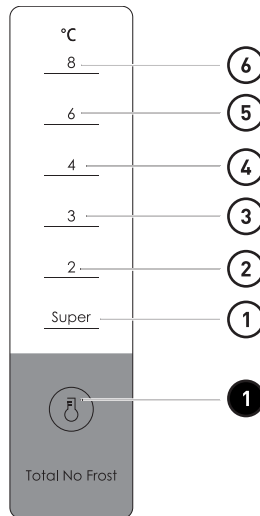


- Deje espacio suficiente para poder abrir cómodamente las puertas y los cajones o el espacio indicado por el distribuidor.

Consejos para ahorrar energía

- El aparato deberá colocarse en la zona más fresca de la habitación, lejos de aparatos que produzcan calor o conductos de calefacción, y alejado de la luz solar directa.
- Deje que los alimentos calientes se enfríen a temperatura ambiente antes de introducirlos en el aparato. Si sobrecarga el aparato, obligará al compresor a funcionar durante más tiempo. Los alimentos que se congelan demasiado despacio pueden perder calidad o estropearse.
- Asegúrese de envolver bien los alimentos y de secar los recipientes antes de introducirlos en el aparato. Eso reducirá la formación de hielo en el interior del aparato.
- Los cajones de almacenamiento del aparato no deberán forrarse con papel de aluminio, papel encerado ni papel absorbente. Los revestimientos interfieren en la circulación del aire frío, haciendo que el aparato sea menos eficiente.
- Organice y etiquete los alimentos para abrir menos la puerta y evitar buscarlos durante demasiado tiempo. Saque todos los elementos que necesite de una vez y cierre la puerta lo antes posible.

Funciones



(La imagen anterior solo es una referencia. La configuración real dependerá del producto físico o de lo que indique el distribuidor).

Botón

- 1 Botón de ajuste de la temperatura

Pantalla de visualización

- | | |
|--------------------------------------|---------------------------------|
| 1 Ajuste de temperatura 1: Superfrío | 2 Ajuste de temperatura 2: 2 °C |
| 3 Ajuste de temperatura 3: 3 °C | 4 Ajuste de temperatura 4: 4 °C |
| 5 Ajuste de temperatura 5: 6 °C | 6 Ajuste de temperatura 6: 8 °C |

Pantalla

- Al encender el frigorífico, la pantalla de visualización (incluida la luz de las teclas) brillará por completo durante 3 segundos y, a continuación, el frigorífico empezará a funcionar con el ajuste de temperatura 3.
- Visualización del funcionamiento normal
- Si se produce un fallo, se combinarán las correspondientes luces LED parpadeando para mostrar el código del fallo en la pantalla;
- Si no se produce ningún fallo, la luz LED mostrará el ajuste de temperatura existente.

Ajuste de funcionamiento

- El ajuste de temperatura se modificará una vez cada vez que pulse la tecla SET. Entonces, el frigorífico funcionará con el nuevo valor de ajuste transcurridos 15 seg.

► 8 °C → 6 °C → 4 °C → 3 °C → 2 °C → Superfrío ◀

Modo Superfrío

- Entrada: Modo Superfrío de modulación de la circulación.
- Funcionamiento: El indicador de Superfrío se enciende y el frigorífico saldrá automáticamente del modo Superfrío después de 40 horas de funcionamiento continuo a bajas temperaturas.
- Presione el botón para cambiar a otro funcionamiento. El modo Superfrío se cancelará. Cuando introduzca una gran cantidad de alimentos en el compartimento del congelador a la vez, le recomendamos que active el modo Superfrío con 12 horas de antelación, para congelar rápidamente los alimentos y evitar su deterioro.

Ajuste de la palanca de la compuerta de aire manual

- Suba el control deslizante de la compuerta de aire y la temperatura real en el interior de la cámara de congelación descenderá.
- Baje el control deslizante de la compuerta de aire y la temperatura real en el interior de la cámara de congelación aumentará.

B

Utilización del aparato

FREEZER-TEMP



Ajuste del termostato para T°C ambiente: NORMAL ≈ +24 °C (± 4 °C)

Ajuste del termostato para T°C ambiente: FRÍA ≈ +16 °C (± 4 °C)

Ajuste del termostato para T°C ambiente: CALIENTE ≈ +32 °C (± 4 °C)

Temperatura ambiente	16 °C	24 °C	32 °C
Frigorífico	3 °C	3 °C	3 °C
Congelador	<p>FREEZER-TEMP</p>	<p>FREEZER-TEMP</p>	<p>FREEZER-TEMP</p>

Código de error

Las siguientes advertencias que aparecen en la pantalla indican los fallos correspondientes del frigorífico. Aunque el frigorífico pueda seguir funcionando para enfriar y congelar con los siguientes fallos, el usuario deberá ponerse en contacto con especialista en su mantenimiento con el fin de garantizar el uso normal del frigorífico.

Código de error	Descripción del problema
LED 1 y LED 2 encendidos	Error del sensor de temperatura de refrigeración
LED 1 y LED 3 encendidos	Error del sensor de descongelación del congelador
LED 1 y LED 4 encendidos	Error del sensor de temperatura ambiente
LED 2 y LED 4 encendidos	Error de comunicación



Nota:

La función de congelación rápida está concebida para mantener el valor nutricional de los alimentos en el congelador. Puede congelar los alimentos en el menor tiempo posible. Si se congela una gran cantidad de alimentos de una vez, se recomienda que el usuario active la función de congelación rápida e introduzca los alimentos. En ese momento, la velocidad de congelación del compartimento del congelador se incrementará, lo que puede congelar rápidamente los alimentos, conservar eficazmente los valores nutricionales de los alimentos y facilitar el almacenamiento.

Mantenimiento y cuidado de los frigoríficos

Limpieza general

- El polvo detrás del frigorífico y en el suelo debe limpiarse oportunamente para mejorar el efecto de refrigeración y el ahorro de energía.
- Compruebe regularmente la junta de la puerta para asegurarse de que no haya residuos. Limpie la junta de la puerta con un paño suave humedecido con agua jabonosa o detergente diluido.
- El interior del frigorífico deberá limpiarse con regularidad para evitar olores.
- Apague el aparato antes de limpiar el interior y saque todos los alimentos, bebidas, estantes, cajones, etc.
- Utilice un paño suave o una esponja para limpiar el interior del frigorífico, con dos cucharadas de bicarbonato y un litro de agua tibia. A continuación, aclárelo con agua y límpielo con un paño. Después de limpiarlo, abra la puerta y deje que se seque de forma natural antes de conectar la alimentación.
- Para las zonas difíciles de limpiar del interior del frigorífico (como lugares estrechos, huecos o rincones), recomendamos limpiarlas regularmente con un trapo suave, un cepillo suave, etc.; y cuando sea necesario, con algunas herramientas (como palillos finos) para garantizar que no haya acumulación de bacterias ni contaminantes en esas zonas.
- No utilice jabón, detergente, detergente en polvo, limpiador en aerosol, etc., ya que pueden causar olores en el interior del frigorífico o contaminar los alimentos.
- Limpie las bandejas de la puerta, los estantes y los cajones con un paño suave humedecido con agua jabonosa o detergente diluido. Séquelos con un paño suave o deje que se sequen de forma natural.
- Limpie la superficie exterior del frigorífico con un paño suave humedecido con agua jabonosa, detergente, etc., y luego séquela.

- No utilice cepillos duros, estropajos metálicos, cepillos de alambre, productos abrasivos (como pasta de dientes), disolventes orgánicos (como alcohol, acetona, aceite de plátano, etc.), agua hirviendo ni productos ácidos o alcalinos, ya que podrían dañar la superficie y el interior del frigorífico. El agua hirviendo y los disolventes orgánicos como el benceno pueden deformar o dañar las piezas de plástico.
- No aclare directamente con agua u otros líquidos durante la limpieza para evitar cortocircuitos o afectar al aislamiento eléctrico tras la inmersión.

**ADVERTENCIA:**

- **Desenchufe el frigorífico para descongelarlo y limpiarlo.**

**Descongelación**

- El frigorífico está fabricado según el principio de refrigeración por aire, por lo que dispone de la función de descongelación automática. El hielo que se forma debido a los cambios de estación o de temperatura también puede eliminarse manualmente desconectando el aparato de la toma de corriente o limpiándolo con una toalla seca.

Aparato sin funcionar

- **Corte de corriente:** En caso de corte de corriente, aunque sea en verano, los alimentos del interior del aparato pueden conservarse durante varias horas. Durante el corte de corriente, deberán reducirse los tiempos de apertura de la puerta y no se deberán introducir más alimentos frescos en el aparato.

- No utilizado durante un periodo prolongado de tiempo: El aparato deberá desenchufarse y luego limpiarse. Después, deberán dejarse las puertas abiertas para evitar olores.
- Traslado del aparato: Antes de trasladar el frigorífico, saque todos los objetos de su interior, fije con cinta adhesiva las divisiones de cristal, el cajón para verduras, los cajones de la cámara de congelación, etc.; y apriete las patas niveladoras, cierre las puertas y séllelas con cinta adhesiva. Durante el traslado, el aparato no deberá colocarse boca abajo ni horizontalmente, ni ser sometido a vibraciones. La inclinación durante el traslado no deberá ser superior a 45°.



ADVERTENCIA:

El aparato deberá funcionar de forma continua una vez se haya puesto en marcha. Por lo general, no se deberá interrumpir el funcionamiento del aparato; de lo contrario, podría verse afectada su vida útil.

Solución de problemas

Puede intentar resolver los siguientes problemas sencillos por su cuenta. Si no se pueden resolver, póngase en contacto con el departamento de posventa.

Problema	Solución
El aparato no funciona	<ul style="list-style-type: none"> • Compruebe si el aparato está conectado a la corriente o si el enchufe está haciendo buen contacto • Compruebe si la tensión es demasiado baja • Compruebe si hay un corte de corriente o si se han disparado circuitos parciales
Olores	<ul style="list-style-type: none"> • Los alimentos olorosos deberán envolverse herméticamente • Compruebe si hay alimentos podridos • Limpie el interior del frigorífico

Problema	Solución
Funcionamiento más lento del compresor	<ul style="list-style-type: none"> • El funcionamiento más lento del frigorífico es normal en verano cuando la temperatura ambiente es alta • No se recomienda almacenar demasiada comida en el aparato al mismo tiempo • Los alimentos deberán enfriarse antes de introducirlos en el aparato • Las puertas se abren con demasiada frecuencia
La luz no se enciende	<ul style="list-style-type: none"> • Compruebe si el frigorífico está conectado a la toma de corriente y si la luz de iluminación está dañada • Pida a un técnico cualificado que cambie la luz
La puerta no se puede cerrar correctamente	<ul style="list-style-type: none"> • La puerta está atascada por envases de comida • El frigorífico está inclinado
Ruido fuerte	<ul style="list-style-type: none"> • Compruebe si el suelo está nivelado y si el frigorífico está colocado de forma estable • Compruebe si los accesorios están colocados en los lugares adecuados
La junta de la puerta no es hermética	<ul style="list-style-type: none"> • Elimine cualquier cuerpo extraño de la junta de la puerta • Caliente la junta de la puerta y luego enfríela para restaurarla (o soplela con un secador eléctrico o utilice una toalla caliente para calentarla)
La bandeja de agua se desborda	<ul style="list-style-type: none"> • Hay demasiados alimentos en la cámara o los alimentos almacenados contienen demasiada agua, lo que provoca una difícil descongelación. • Las puertas no están bien cerradas, lo que provoca la formación de hielo debido a la entrada de aire y el aumento de agua por la descongelación
La carcasa se calienta	<ul style="list-style-type: none"> • Debido a la disipación del calor del condensador integrado a través de la carcasa, esto es normal • Cuando el aparato se calienta debido a la alta temperatura ambiente o al almacenamiento de demasiada comida, proporcione una buena ventilación para facilitar la disipación del calor.
Condensación en la superficie	<ul style="list-style-type: none"> • La condensación en la superficie exterior y en las juntas de la puerta del frigorífico es normal cuando la humedad ambiental es demasiado alta. Simplemente, limpie la condensación con una toalla limpia.
Ruido anormal	<ul style="list-style-type: none"> • Zumbido: El compresor puede producir zumbidos durante su funcionamiento, y los zumbidos son fuertes sobre todo al arrancar o al detenerse. Esto es normal. • Chirrido: El refrigerante que fluye por el interior del aparato puede producir chirridos, lo cual es normal.

WARRANTY CONDITIONS

EN

This product is guaranteed against faults caused by defects in manufacturing or the materials used for a period of two years, starting from the date of purchase.* This warranty does not cover defects or damage caused by failure to install the device correctly, incorrect use of the product, or excessive wear and tear.

*proof of purchase required.

CONDITION DE GARANTIE

FR

Ce produit est garanti pour une période de 2 ans à partir de la date d'achat*, contre toute défaillance résultant d'un vice de fabrication ou de matériau. Cette garantie ne couvre pas les vices ou les dommages résultant d'une mauvaise installation, d'une utilisation incorrecte ou de l'usure anormale du produit.

*sur présentation du ticket de caisse.

GARANTIEVOORWAARDEN

NL

Dit product wordt gegarandeerd voor een periode van 2 jaar vanaf de aankoopdatum*, voor elke storing die het gevolg is van een fabricagefout of het materiaal. Gebreken of schade door slechte installatie, onjuist gebruik of abnormale slijtage van het product worden niet gedekt door deze garantie.

*op vertoon van kassabon.

CONDICIONES DE GARANTÍA

ES

El certificado de garantía de este producto tiene una duración de 3 años a partir de la fecha de compra* que se limita a los defectos de fabricación y averías del material. Se excluyen de la garantía deficiencias o daños originados por una mala instalación, errores en la manipulación o por un uso inadecuado.

*previa presentación del comprobante de compra.

ELECTRO DEPOT

1 route de Vendeville

59155 FACHES-THUMESNIL - FRANCE

productsupport@contact.electrodepot.fr

