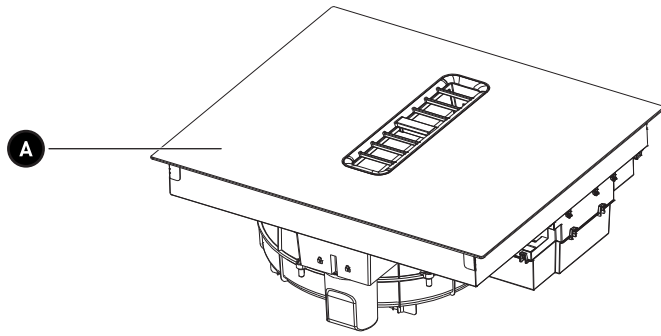


**Induction hob (suction)  
Plaque à induction (aspiration)  
Inductiekookplaat (afzuiging)  
Placa de inducción (con aspiración)**

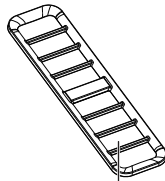
**988857 - IH 4 HTB 2FZ 929C**

INSTRUCTIONS FOR USE	.....02
CONSIGNES D'UTILISATION	.....36
GEBRUIKSAANWIJZINGEN	.....74
INSTRUCCIONES DE USO	.....112

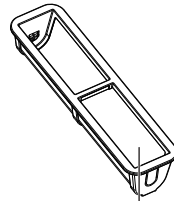
**VALBERG**



**B**



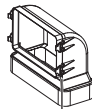
**C**



**D**



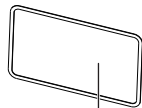
**E**



**F**



**G**



**H**



**I**



**J**

# Thank you!

Thank you for choosing this VALBERG product. VALBERG products are chosen, tested, and recommended by ELECTRO DEPOT, so you can be sure you are getting a top-quality, easy-to-use product that won't let you down. We're confident your new device will be a pleasure to use every day!

Welcome to ELECTRO DEPOT.



2

EN

# Table of Contents

**A**

**Product overview**

Parts

**B**

**Product usage**

Dimensions  
Installation  
Wall drilling and bracket fixing  
Electrical schematic diagram  
Operation instructions

**C**

**Cleaning and  
maintenance**

Cleaning and maintenance  
Troubleshooting

# A

## Product overview

### Product description

- Dish warmer
- Dualbridge
- Individual hob timer
- Auto Extract
- Child lock
- Touch&Slide Control
- High air volume
- Low noise
- 1 minute delay shutdown
- Easy to clean
- Brushless DC motor
- High Energy Efficiency
- CB CE GS

## Parts

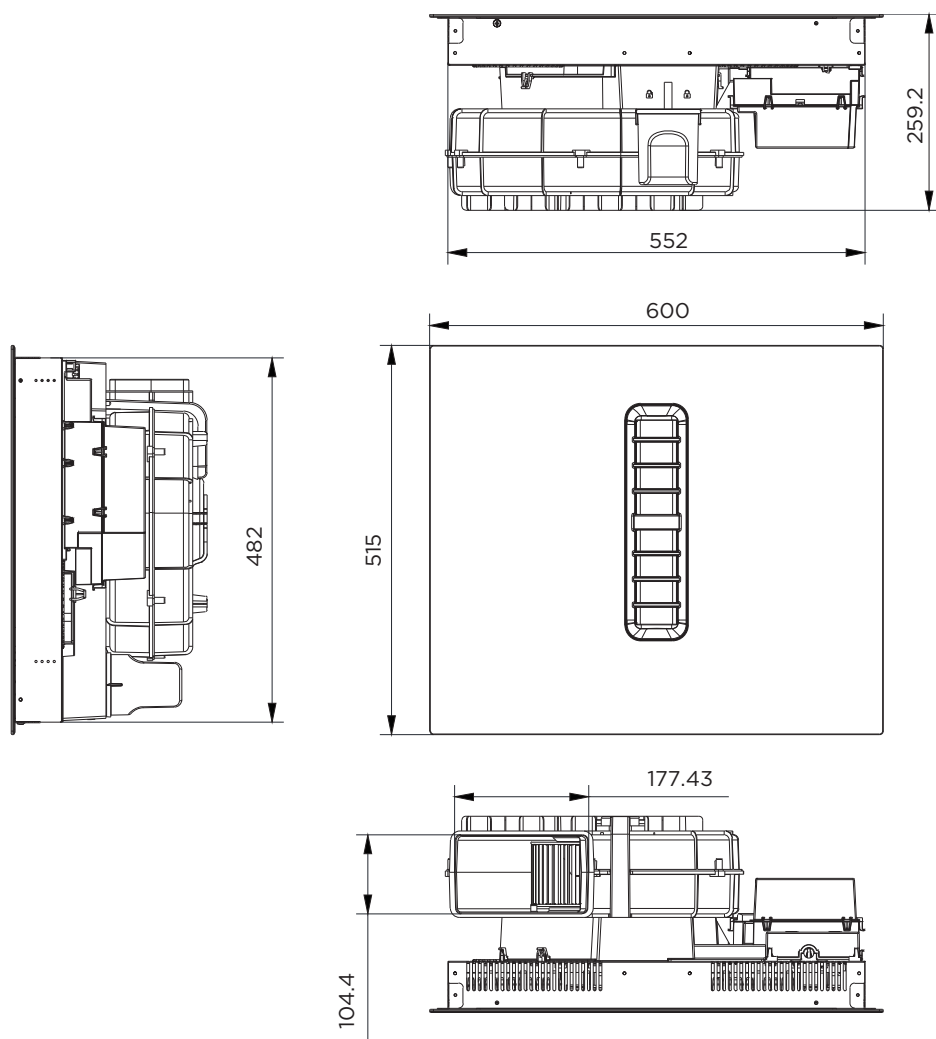
- A** The main body
- B** Cup
- C** Grille
- D** Filter
- E** Direct conversion
- F** 90°conversion head
- G** Rubber ring
- H** Sponge strip
- I** Screw M4\*10 x 4
- J** Mounting bracket x 4

B

Product usage

## Dimensions

unit: mm



## Installation

### Before installing the hob, make sure that

- The work surface is square and level, and no structural members interfere with space requirements.
- The work surface is made of a heat-resistant and insulated material.
- If the hob is installed above an oven, the oven has a built-in cooling fan.
- The installation will comply with all clearance requirements and applicable standards and regulations.
- A suitable isolating switch providing full disconnection from the mains power supply is incorporated in the permanent wiring, mounted and positioned to comply with the local wiring rules and regulations.
- The isolating switch must be of an approved type and provide a 3 mm air gap contact separation in all poles (or in all active [phase] conductors if the local wiring rules allow for this variation of the requirements).
- The isolating switch will be easily accessible to the customer with the hob installed.
- You consult local building authorities and by-laws if in doubt regarding installation.
- You use heat-resistant and easy-to-clean finishes (such as ceramic tiles) for the wall surfaces surrounding the hob.

### After installing the hob, make sure that

- The power supply cable is not accessible through cupboard doors or drawers.
- There is adequate flow of fresh air from outside the cabinetry to the base of the hob. If the hob is installed above a drawer or cupboard space, a thermal protection barrier is installed below the base of the hob.
- The isolating switch is easily accessible by the customer.
- Please locate at the lower part of the stove and set a ventilation hole with a total area of no less than 100 cm<sup>2</sup> to maintain the circulation with the outside air, otherwise it will cause the accumulation of leaking gas and cause explosion. If liquefied petroleum gas cylinder is used, the distance between the stove and the gas cylinder should be greater than 100 cm.



### CAUTION!

- The induction hotplate must be installed by qualified personnel or technicians. We have professionals at your service. Please never conduct the operation by yourself.
- The hob will not be installed directly above a dishwasher, fridge, freezer, washing machine or clothes dryer, as the humidity may damage the hob electronics.
- The induction hotplate shall be installed such that better heat radiation can be ensured to enhance its reliability.
- The wall and induced heating zone above the table surface shall withstand heat.
- To avoid any damage, the sandwich layer and adhesive must be resistant to heat.
- A steam cleaner is not to be used.

**Connecting the hob to the mains power supply****CAUTION!**

Check with an electrician whether the domestic wiring system is suitable without alterations. Any alterations must only be made by a qualified electrician.

This hob must be connected to the mains power supply only by a suitably qualified person. Before connecting the hob to the mains power supply, check that:

- The domestic wiring system is suitable for the power drawn by the hob.
- The voltage corresponds to the value given in the rating plate.
- The power supply cable sections can withstand the load specified on the rating plate.

To connect the hob to the mains power supply, do not use adapters, reducers, or branching devices, as they can cause overheating and fire.

The power supply cable must not touch any hot parts and must be positioned so that its temperature will not exceed 75 °C at any point.



## Wall drilling and bracket fixing

### INSTALLATION FLUSH TOP

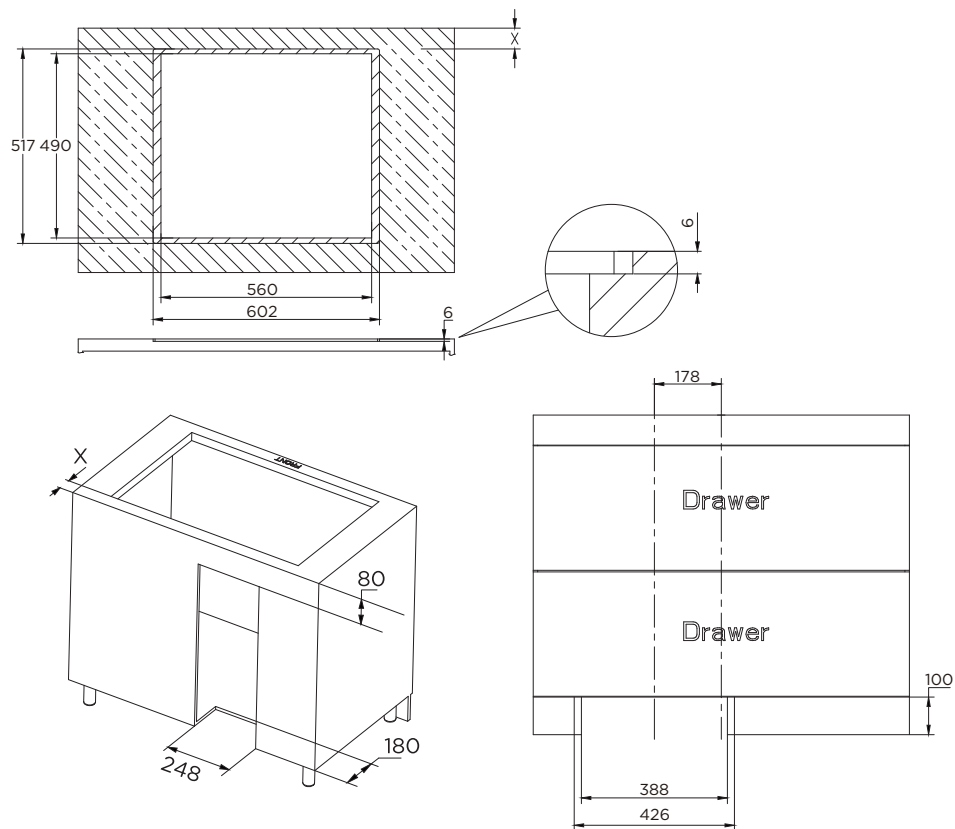


Table width (Y)	X
600 - 650mm	54mm
≥ 650mm	65mm

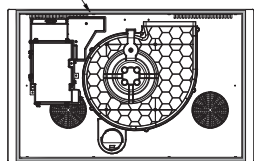
# B

## Product usage

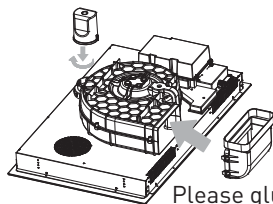
### Internal circulation

1. Stick sponge strips

Sponge strip



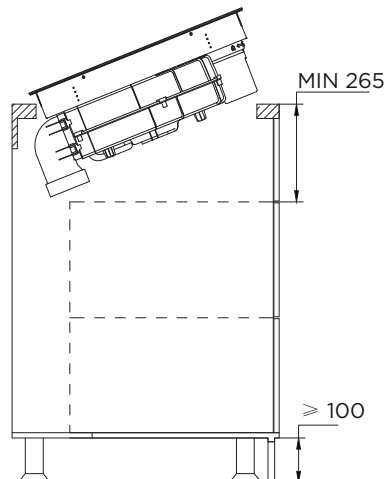
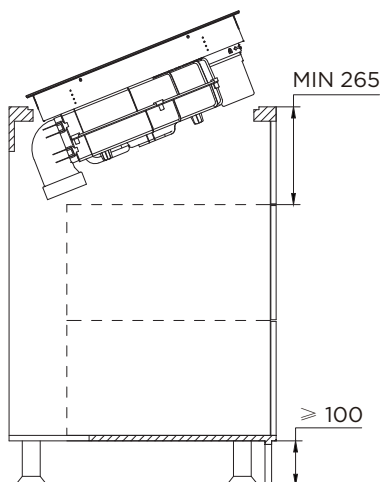
2. Install the water cup and adapter



Please glue and fix after installation

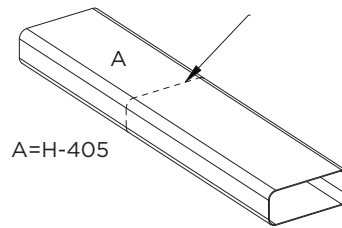
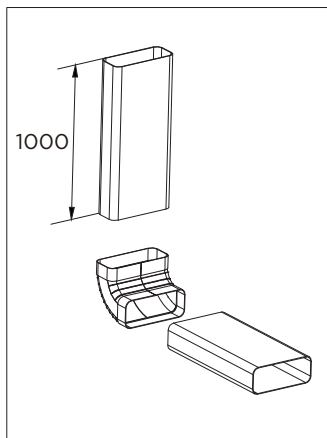
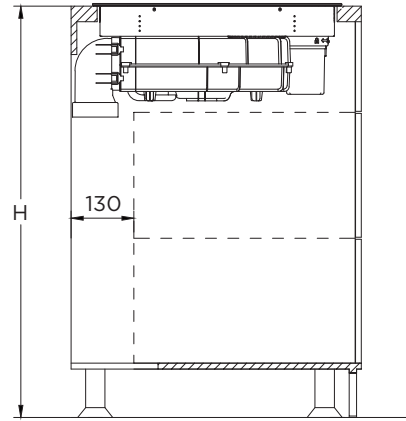
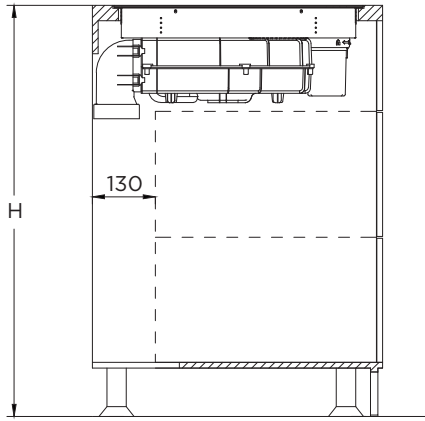
Put the whole machine in the cabinet and adjust the product

Put the whole machine in the cabinet and adjust the product

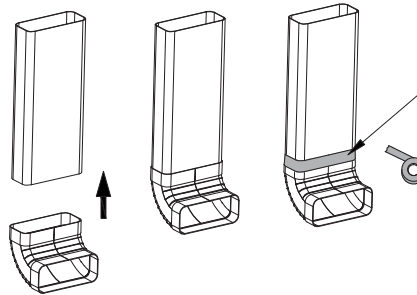


# B

## Product usage

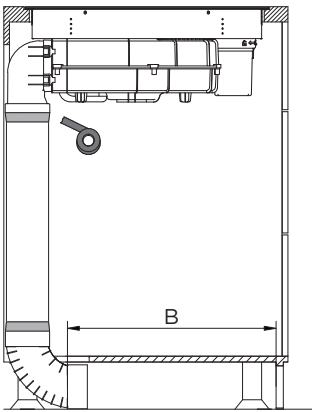
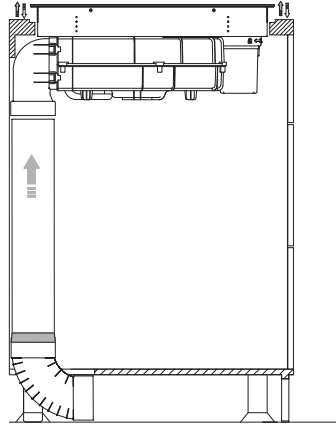
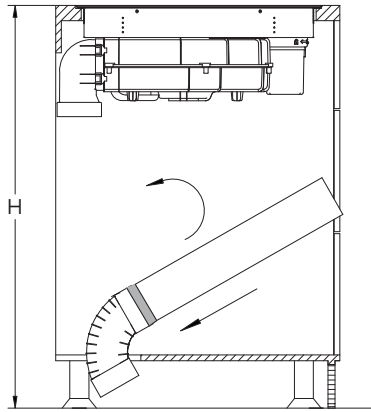


Naber S04024  
Naber S04020

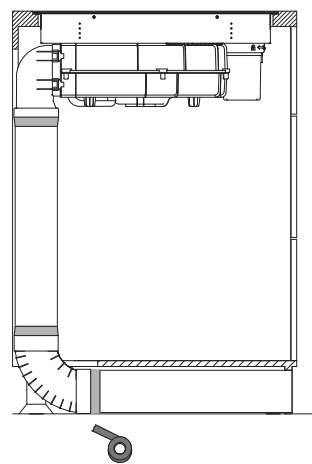
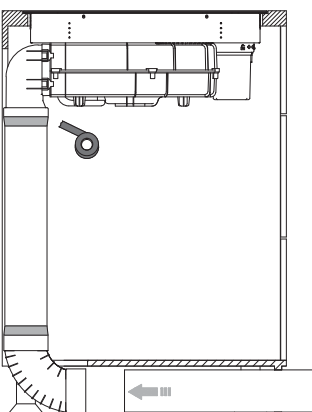
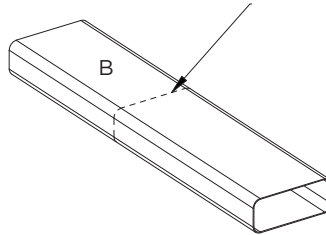


B

Product usage



Use a saw to cut the pipe to the required length



# B

## Product usage

### Cabinet opening size

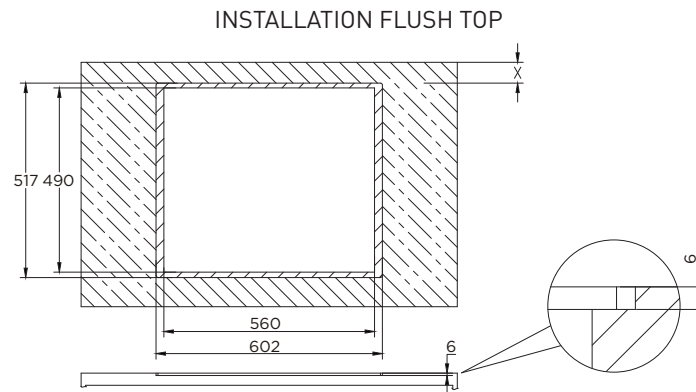
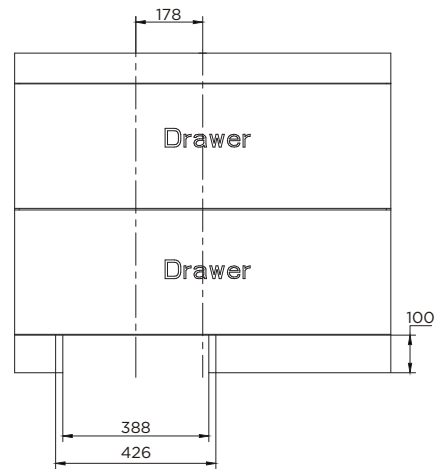
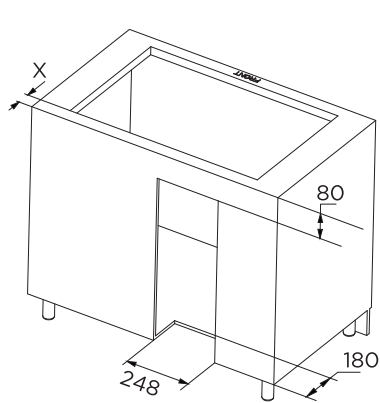


Table width (Y)	X
600 - 650mm	54mm
≥ 650mm	65mm



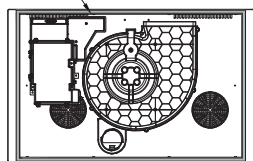
## B

## Product usage

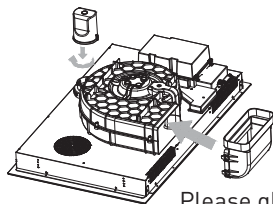
### External circulation

1. Stick sponge strips

Sponge strip

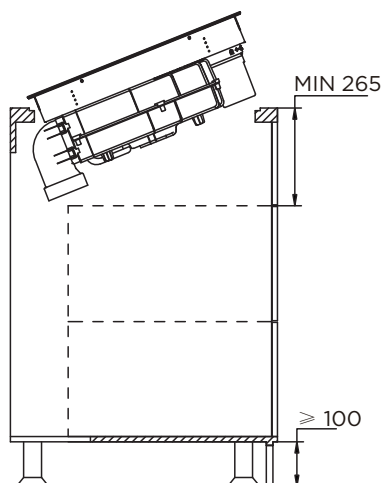


2. Install the water cup and 90° adapter

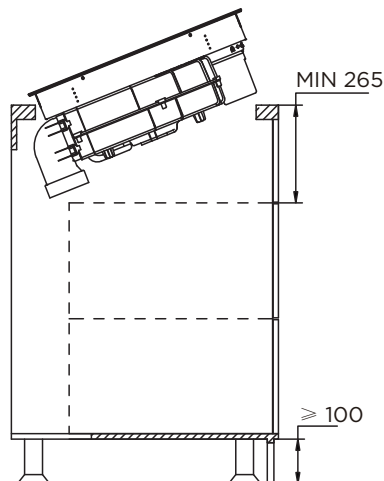


Please glue and fix after installation

Put the whole machine in the cabinet and adjust the product

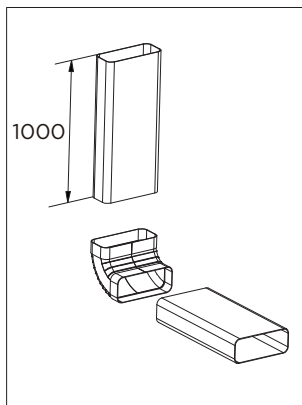
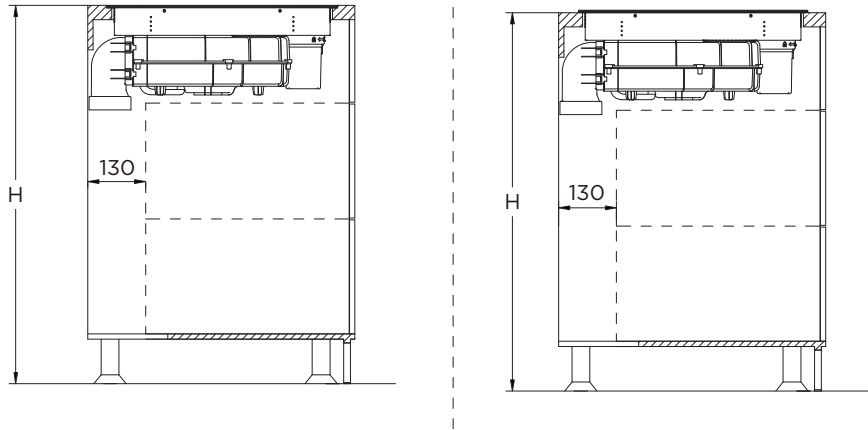


Put the whole machine in the cabinet and adjust the product

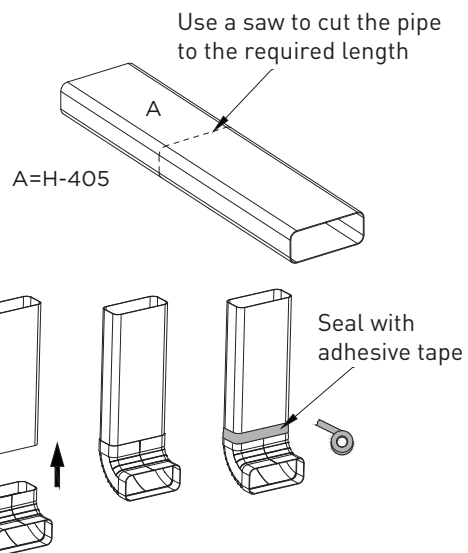


# B

## Product usage

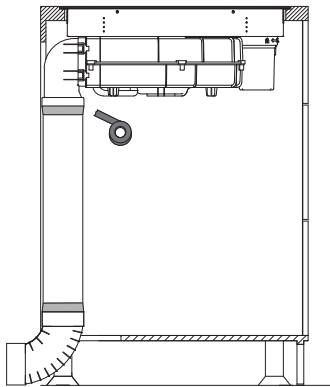
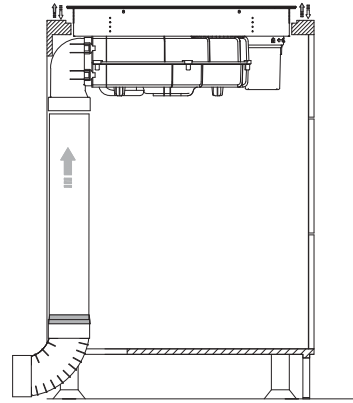
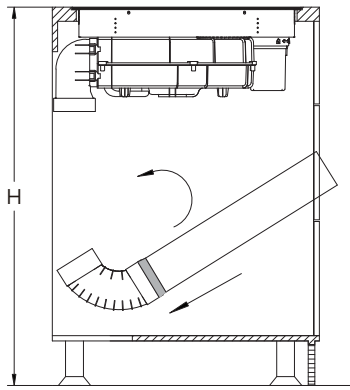


Naber S04024  
Naber S04020

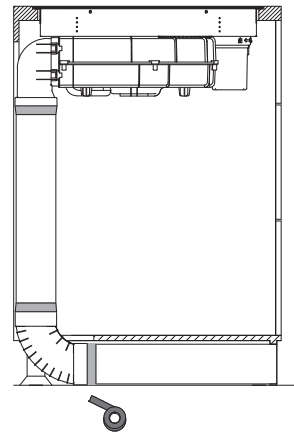
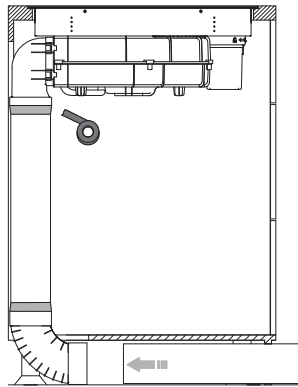
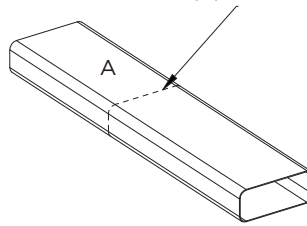


# B

## Product usage



Use a saw to cut the pipe to the required length

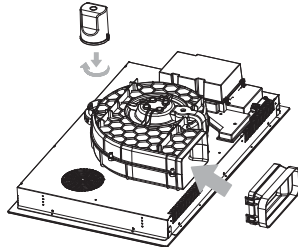




# B

## Product usage

### Scheme I: Installation of water cup and straight adapter



Please glue and fix after installation.

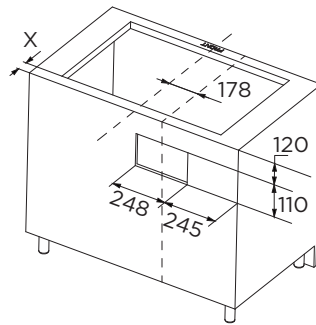
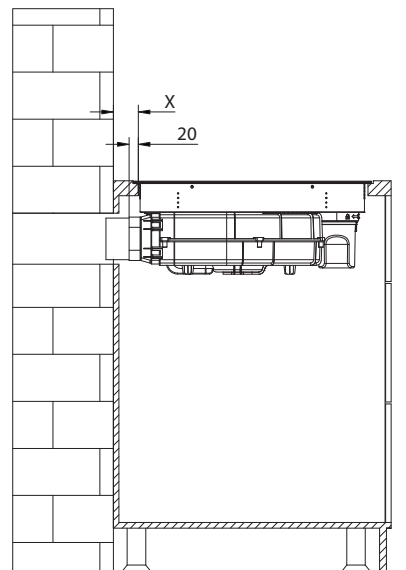
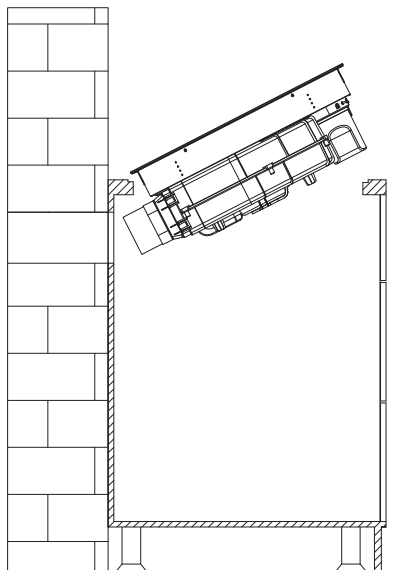
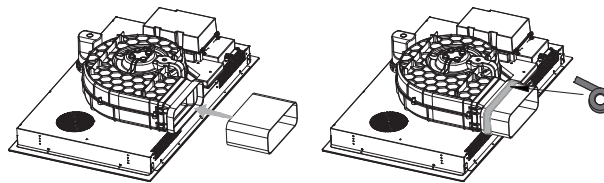
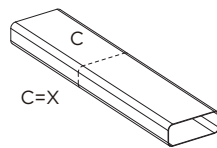
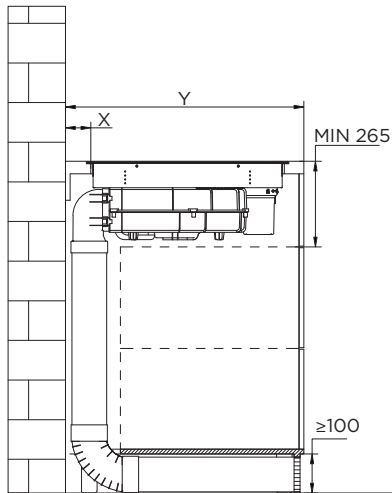


Table width (Y)	X
600 - 650mm	54mm
≥ 650mm	65mm

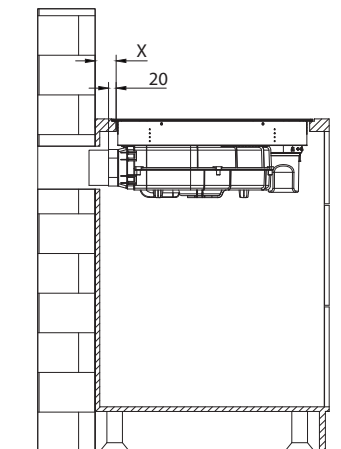
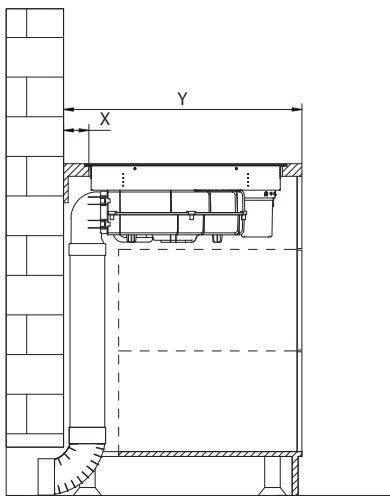


## B Product usage

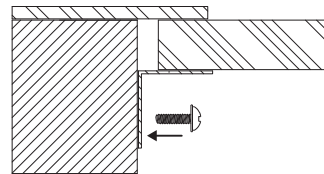
### Internal circulation



### External circulation



After the product is installed, install four supports on both sides of the product to prevent the product from falling of.



# B

## Product usage

### Electrical schematic diagram

	Electrical connection	Connection diagram home side	Power Cord
220-240V~			5G 2.5mm <sup>2</sup> H07RN-F L1: BK L2: BN N1: GY N2: BU PE: GN/YE
380-415V~			5G 2.5mm <sup>2</sup> H07RN-F L1: BK L2: BN N1: GY N2: BU PE: GN/YE

L1, L2= Phase, N1, N2= Neutral, PE= Earth

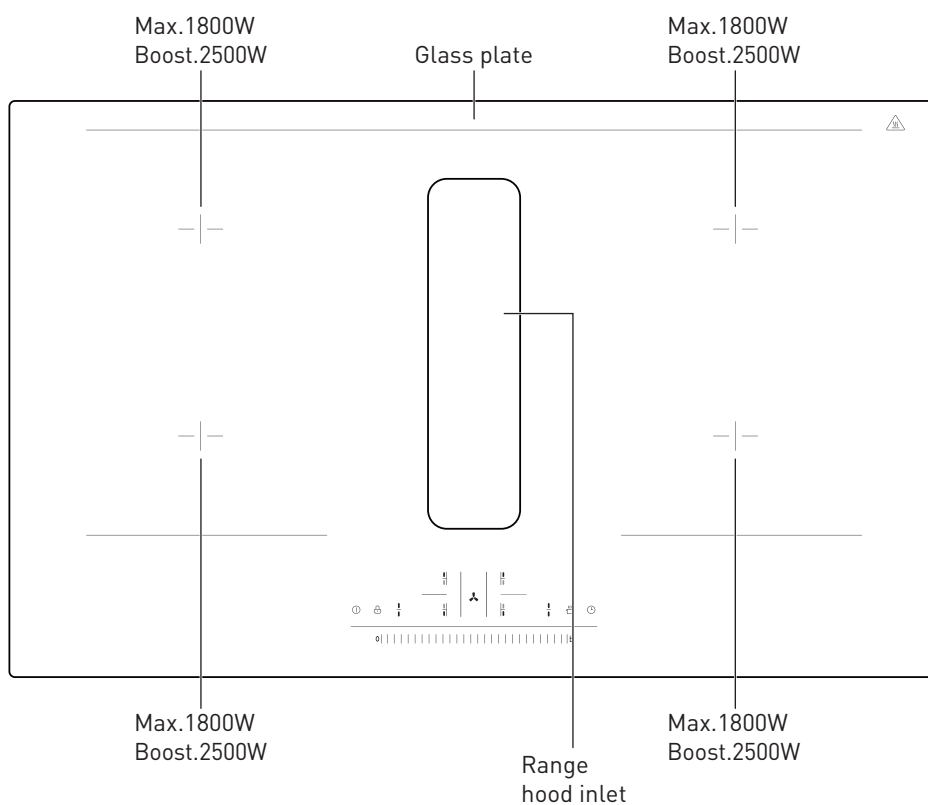
Diameter of the connecting electric wire must exceed 4.0mm<sup>2</sup>

# B

## Product usage

### Operation instructions

#### Speed adjustment. (For some models)



The main switch



Child lock



Bridging



Cooking zone to choose



The fan selection



Heat preservation



Time






Gear control area

## B

## Product usage

•	Activation status light		Fan or cooking zone gear display light
(••)	Fan linkage activation display		Time display

Button	Function	Remarks
• 	The main switch	<ul style="list-style-type: none"> <li>Short press the main switch to turn the machine on or off.</li> </ul>
• 	Child lock	<ul style="list-style-type: none"> <li>Long press the child lock button to enter the lock mode, the child lock indicator light on, except the main switch and the child lock button, other keys are invalid.</li> <li>Long press the button to unlock. The child lock indicator light goes off and other keys are restored.</li> </ul>
• 	Bridging	<ul style="list-style-type: none"> <li>Short press the bridge button on the left, the indicator light is in the active state, the left cooking zones are started.</li> <li>The two cooking zones on the left can be adjusted simultaneously in bridging mode. In the working state, short press will cancel the bridging operation and close the left cooking zones. In the bridging state, the left cooking zones can be operated regularly at the same time.</li> <li>Short press the bridge button on the right, the indicator light is in the active state, the cooking zones on the right are started. The two cooking zones on the right can be adjusted simultaneously in bridging mode. In the working state, short press will cancel the bridging operation and close the right cooking zones. In the bridging state, the right cooking zones can be operated regularly at the same time.</li> </ul>

## B

## Product usage



## Heat preservation

- Press the heat preservation button to enter the heat preservation state. The current working cooking zone is running in the lowest gear, and the screen shows L; When the heat preservation button or other buttons are pressed again, the heat preservation state is cancelled, and the cooking zone will return to the previous working state.
- Under the condition of heat preservation, the indicator light is on.



## Time

- The cooking zone timing time can be set to 00 - 99min; In the selected state of the cooking zone, press the timing key to timing the selected cooking zone;
- The timing time can be set in the units and tens of minutes, first set the tens digit, and then set the units digit. During the setting of tens digit, the finger leaves the slider for three seconds, or press the timing button again to enter the units digit setting;
- During the setting of units digit, the finger leaves the slider for three seconds and enters the timer countdown state; During the setting, press the timing button again to cancel the timing setting. Set the time by sliding the slider bar;
- During the timing operation, the timing time decreases by minute. After the timing is over, the buzzer 6 sounds will be extinguished.



## Upper left furnace selection key

- The upper left furnace is selected for power or timing setting, and the digital screen will display the selected cooking zone's power level, and the initial setting of 5 levels of power is performed. When the cooking zone is selected, the digital tube flashes for 3 seconds, and the sliding button can adjust the gear.



## Lower left furnace selection key

- Select the lower left furnace for power or timing setting, the left indicator blinking indicates that the current digital tube displays the state of the cooking zone, the initial setting of 5 levels of power, select the cooking zone, the digital tube flashing for 3 seconds, sliding button can adjust the gear.

## B

## Product usage



Right upper furnace selection key

- The upper right furnace is selected for power or timing setting, and the blinking indicator on the right indicates that the current digital tube displays the state of the cooking zone, and the initial setting of the power of 5 levels is performed. When the cooking zone is selected, the digital tube flashes for 3 seconds, and the sliding button can adjust the gear.



Lower right furnace selection key

- The upper right furnace is selected for power or timing setting, and the blinking indicator on the right indicates that the current digital tube displays the state of the cooking zone, and the initial setting of the power of 5 levels is performed. When the cooking zone is selected, the digital tube flashes for 3 seconds, and the sliding button can adjust the gear.



Fan selection button

- When the fan is powered on for the first time, the linkage button is on and the fan is in linkage state.
- Select the fan button, the sliding bar can directly control the size of the fan (1-8 gear), the highest can be 8 gear, after 5min, jump to 7 gear, if you select 8 gear, after 8 minutes, jump to 7 gear.
- The screen on the fan button shows the fan gear.
- When selecting the fan, press the fan button again to enter the 1-minute delay shutdown state, and it will be displayed in the digital tube. If you press it again, the fan will be shut down directly.



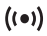


Single 8 digital tube

1. Display 1-8 gears of current burner fire;
2. "b" means hob boost level and fan boost level;
3. "u" means no pot;
4. "H" furnace surface residual temperature is too high reminder;
5. Display 0 to stop the power output of the cooking zone;
6. Under the faulty state, the wind speed gear of the current faulty cooking zone or smoker is displayed as "E";

## B

## Product usage

	<p>Double 8 digital tube</p>	<ol style="list-style-type: none"> <li>1. Timing display, 00 - 99min;</li> <li>2. Under the fault state, the current fault code is displayed;</li> <li>3. Display "E" is standby mode.</li> </ol>
	<p>Slider gear control function</p>	<ol style="list-style-type: none"> <li>1. The stove head gear, wind speed gear, timing time can be set by sliding the sliding bar left and right.</li> <li>2. When shutting down a stove head or fan, it will scan furnace 1, furnace 2, furnace 3, furnace 4, fan in turn, and transfer the control to the working stove head or fan.</li> </ol>
	<p>Linkage activation display</p>	<ul style="list-style-type: none"> <li>• The linkage button is activated when the product is powered on for the first time, and the previous state is remembered each time the product is powered on.</li> <li>• Long press 3S to cancel the linkage between the fan and the hob.</li> <li>• Long press the fan selection button to enter the linkage of the fan and the hob:             <ol style="list-style-type: none"> <li>(1) Obtain the maximum power value of the current stove to synchronize the fan power with the maximum power of the current stove. If the maximum power of the four furnaces is set to 8 by default, the fan will also be set to 8.</li> <li>(2) Linkage of the fan and the hob has adaptive function.                 <ul style="list-style-type: none"> <li>- For example, when the cooking zone is working at the 5th gear, and the fan gear is manually adjusted to the 6th gear, <math>6-5 = 1</math>; Then when the furnace gear is manually adjusted to N gear again, the fan gear is N+1; Of course, when the fan gear reaches 9 gear, the fan gear will not increase.</li> <li>- For example, when the cooking zone is working at the 5th gear, and the fan gear is manually adjusted to the 4th gear, <math>4-5 = -1</math>; Then when the furnace gear is manually adjusted to N gear again, the fan gear is n-1; Of course, when the fan gear reaches 1 gear, the fan gear will no longer be reduced.</li> </ul> </li> </ol> </li> </ul>



## B

## Product usage

1. Power coordination (ensure that the output power will not exceed 3600W when the two cooking zones on the same side work simultaneously).  
In the current working adjustment process of induction furnace, the maximum power of the two cooking zones on the same side should not exceed 3600W. If the calculated total power exceeds 3600W during the adjustment process, reduce the unoperated cooking zone power on the same side to ensure that the current power is the target power desired by the user and the total power does not exceed 3600W.
2. Power adjustment function: Press two linkage keys to enter the power adjustment state. After entering the power adjustment state, press the left bridge key to reduce the maximum power and press the right bridge key to increase the maximum power. There are 5 power levels, 2800W, 3600W, 4600W, 5800W, 7200W. If you do not adjust the maximum power for 30 seconds or press the power button, the system enters the shutdown state.
3. There are two mode in the product, energy-saving mode (external mode) and conventional mode (internal cycle mode). There is no boost power in the energy-saving mode, and there is two boost power in the conventional mode, which is the conventional mode by default; In standby mode, press and hold the fan key and child lock key 2S to enter the mode switching state. At this time, press the fan key to switch modes. 0 indicates the normal mode and 1 indicates the energy saving mode.

Furnace power distribution (Note: Intermittent: 1000W for intermittent)

Speed	0	1	2	3	4	5	6	7	8	b
Power (W)	0	100	200	300	800	1200	1400	1600	1800	2500

Power distribution when using the flexible zone

Speed	0	1	2	3	4	5	6	7	8	b
Power (W)	0	100	200	300	800	1000	1200	1400	1600	1800

Fan power speed distribution

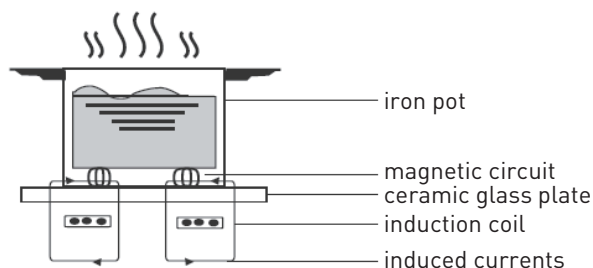
Speed	0	1	2	3	4	5	6	7	8	b
Air volume (m <sup>3</sup> /h)	0	290	310	340	360	380	420	470	540	580
Time of operation (min)						Long run			8	5

### Working theory

- Induction cooking is a safe, advanced, efficient, and economical cooking technology. It works by electromagnetic vibrations generating heat directly in the pan, rather than indirectly through heating the glass surface. The glass becomes hot only because the pan eventually warms it up.

## B

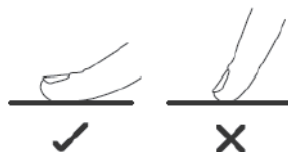
## Product usage



### Operation of product

#### Touch Controls

- The controls respond to touch, so you don't need to apply any pressure.
- Use the ball of your finger, not its tip.
- You will hear a beep each time a touch is registered.
- Make sure the controls are always clean, dry, and that there is no object (e.g. a utensil or a cloth) covering them. Even a thin film of water may make the controls difficult to operate.



#### Choosing the right Cookware



- Only use cookware with a base suitable for induction cooking.
  - Look for the induction symbol on the packaging or on the bottom of the pan.
  - Dishes will be detected by the device if they measure 14 cm in diameter or more.
- You can check whether your cookware is suitable by carrying out a magnet test. Move a magnet towards the base of the pan. If it is attracted, the pan is suitable for induction.



- If you do not have a magnet:
  1. Put some water in the pan you want to check.
  2. If  $\underline{L}$  does not flash in the display and the water is heating, the pan is suitable.
- Cookware made from the following materials is not suitable: pure stainless steel, aluminium or copper without a magnetic base, glass, wood, porcelain, ceramic, and earthenware.

## B

## Product usage

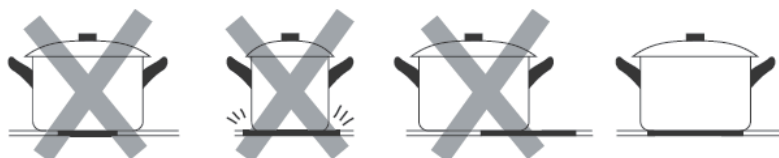
Do not use cookware with jagged edges or a curved base



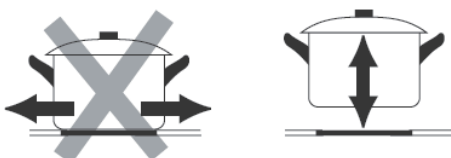
Do not use pressure cookers for heat.



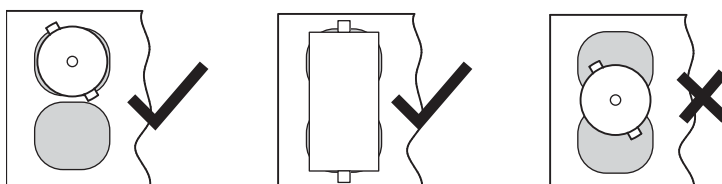
Make sure that the base of your pan is smooth, sits flat against the glass, and is the same size as the cooking zone. Use pans whose diameter is as large as the graphic of the zone selected. Using a pot a slightly wider energy will be used at its maximum efficiency. If you use smaller pot efficiency could be less than expected. Pot less than 140 mm could be undetected by the hob. Always centre your pan on the cooking zone.



Always lift pans of the Induction hob – do not slide, or they may scratch the glass.



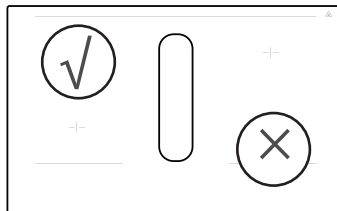
When using the product, please refer to the following illustration for placing the pot. Do not place the pot in the middle.



## B

## Product usage

Cooking pot must be placed in the glass screen printing area.



### Cooking Guidelines



Take care when frying as the oil and fat heat up very quickly, particularly if you're using PowerBoost. At extremely high temperatures oil and fat will ignite spontaneously and this presents a serious fire risk.

#### Cooking tips

- When food comes to the boil, reduce the temperature setting.
- Using a lid will reduce cooking times and save energy by retaining the heat.
- Minimize the amount of liquid or fat to reduce cooking times.
- Start cooking on a high setting and reduce the setting when the food has heated through.

#### Simmering, cooking rice

- Simmering occurs below boiling point, at around 85°C, when bubbles are just rising occasionally to the surface of the cooking liquid. It is the key to delicious soups and tender stews because the flavours develop without overcooking the food. You should also cook egg-based and flour thickened sauces below boiling point.
- Some tasks, including cooking rice by the absorption method, may require a setting higher than the lowest setting to ensure the food is cooked properly in the time recommended.

#### Searing steak

To cook juicy flavorsome steaks:

- Stand the meat at room temperature for about 20 minutes before cooking.
- Heat up a heavy-based frying pan.
- Brush both sides of the steak with oil. Drizzle a small amount of oil into the hot pan and then lower the meat onto the hot pan.
- Turn the steak only once during cooking. The exact cooking time will depend on the thickness of the steak and how cooked you want it. Times may vary from about 2 – 8 minutes per side. Press the steak to gauge how cooked it is – the firmer it feels the more “well done” it will be.
- Leave the steak to rest on a warm plate for a few minutes to allow it to relax and become tender before serving.

## B

## Product usage

### For stir-frying

- Choose an induction compatible flat-based wok or a large frying pan.
- Have all the ingredients and equipment ready. Stir-frying should be quick. If cooking large quantities, cook the food in several smaller batches.
- Preheat the pan briefly and add two tablespoons of oil.
- Cook any meat first, put it aside and keep warm.
- Stir-fry the vegetables. When they are hot but still crisp, turn the cooking zone to a lower setting, return the meat to the pan and add your sauce.
- Stir the ingredients gently to make sure they are heated through.
- Serve immediately.

### Detection of Small Articles

- When an unsuitable size or non-magnetic pan (e.g. aluminium), or some other small item (e.g. knife, fork, key) has been left on the hob, the hob automatically go to standby in 1 minute. The fan will keep cooling down the induction hob for a further 1 minute.

### **Heat Settings**

- The settings below are guidelines only. The exact setting will depend on several factors, including your cookware and the amount you are cooking. Experiment with the induction hob to find the settings that best suit you.

Heat setting	Suitability
1 - 2	<ul style="list-style-type: none"><li>• delicate warming for small amounts of food</li><li>• melting chocolate, butter, and foods that burn quickly</li><li>• gentle simmering</li><li>• slow warming</li></ul>
3 - 4	<ul style="list-style-type: none"><li>• reheating</li><li>• rapid simmering</li><li>• cooking rice</li></ul>
5 - 6	<ul style="list-style-type: none"><li>• pancakes</li></ul>
7 - 8	<ul style="list-style-type: none"><li>• sautéing</li><li>• cooking pasta</li></ul>
b	<ul style="list-style-type: none"><li>• stir-frying</li><li>• searing</li><li>• bringing soup to the boil</li><li>• boiling water</li></ul>

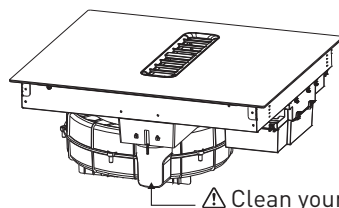
## C

## Cleaning and maintenance

### Cleaning and maintenance

#### Glass surface cleaning, daily maintenance cleaning

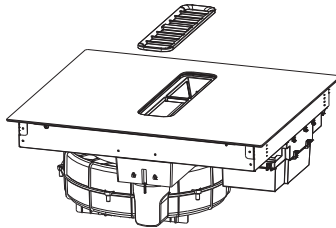
- When using cloth to clean, try not to put clean water into the grate.



⚠ Clean your water cup regularly.

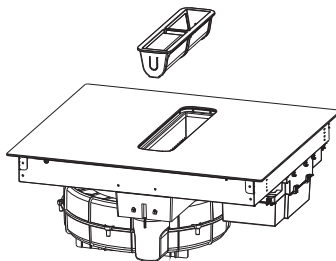
#### Clean the grille and perform routine maintenance

- Take the grate, clean it carefully, and then put it back.



#### Filter screen cleaning, daily maintenance cleaning

- Take out the filter bracket horizontally, remove the filter from the bracket, and wash it in the dishwasher, or manually clean the filter. The residual water of the filter bracket is taken out horizontally and dumped into the water channel.

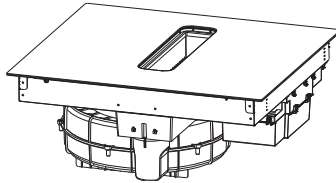


## C

## Cleaning and maintenance

### Water cup cleaning, daily maintenance cleaning

- Rotate out the water cup, dump the waste water inside, and install it back.



### Troubleshooting

Problem	Possible reason	Solution
The induction hob cannot be turned on	<ul style="list-style-type: none"> <li>• No power.</li> </ul>	<ul style="list-style-type: none"> <li>• Make sure the induction hob is connected to the power supply and that it is switched on.</li> <li>• Check whether there is a power outage in your home or area. If you've checked everything and the problem persists, call a qualified technician.</li> </ul>
The touch controls are unresponsive	<ul style="list-style-type: none"> <li>• The controls are locked.</li> </ul>	<ul style="list-style-type: none"> <li>• Unlock the controls. See section "Using your induction cooktop" for instructions.</li> </ul>
The touch controls are difficult to operate	<ul style="list-style-type: none"> <li>• There may be a slight film of water over the controls or you may be using the tip of your finger when touching the controls.</li> </ul>	<ul style="list-style-type: none"> <li>• Make sure the touch control area is dry and use the ball of your finger when touching the controls.</li> </ul>
The glass is being scratched	<ul style="list-style-type: none"> <li>• Rough-edged cookware.</li> <li>• Unsuitable, abrasive scourer or cleaning products being used.</li> </ul>	<ul style="list-style-type: none"> <li>• Use cookware with flat and smooth bases. See "Choosing the right cookware".</li> <li>• See "Care and cleaning".</li> </ul>

## C

## Cleaning and maintenance

Problem	Possible reason	Solution
The induction hob or a cooking zone has turned itself off unexpectedly, a tone sounds and an error code is displayed (typically alternating with one or two digits in the cooking timer display).	<ul style="list-style-type: none"> <li>• Technical fault.</li> </ul>	<ul style="list-style-type: none"> <li>• Please note down the error letters and numbers, switch the power to the induction hob of at the wall, and contact a qualified technician.</li> </ul>
The induction hob makes a low humming noise when used on a high heat setting	<ul style="list-style-type: none"> <li>• This is caused by the technology of induction cooking.</li> </ul>	<ul style="list-style-type: none"> <li>• This is normal, but the noise should quieten down or disappear completely when you decrease the heat setting.</li> </ul>
Pans do not become hot and "U" appears in the display.	<ul style="list-style-type: none"> <li>• The induction hob cannot detect the pan because it is not suitable for induction cooking.</li> <li>• The induction hob cannot detect the pan because it is too small for the cooking zone or not properly centred on it.</li> </ul>	<ul style="list-style-type: none"> <li>• Use cookware suitable for induction cooking. See section "Choosing the right cookware".</li> <li>• Centre the pan and make sure that its base matches the size of the cooking zone.</li> </ul>
Fan noise coming from the induction hob.	<ul style="list-style-type: none"> <li>• A cooling fan built into your induction hob has come on to prevent the electronics from overheating. It may continue to run even after you've turned the induction hob off.</li> </ul>	<ul style="list-style-type: none"> <li>• This is normal and needs no action. Do not switch the power to the induction hob of at the wall while the fan is running.</li> </ul>
Some pans make crackling or clicking noises	<ul style="list-style-type: none"> <li>• This may be caused by the construction of your cookware (layers of different metals vibrating differently).</li> </ul>	<ul style="list-style-type: none"> <li>• This is normal for cookware and does not indicate a fault.</li> </ul>



## C

## Cleaning and maintenance

Problem	Possible reason	Solution
Light on, but motor does not work	<ul style="list-style-type: none"> <li>• The blades are blocked.</li> <li>• The capacitor is damaged.</li> <li>• The motor is damaged.</li> <li>• The internal wiring of motor is cut of/ disconnected. An unpleasant smell may be produced.</li> </ul>	<ul style="list-style-type: none"> <li>• Check the blades</li> <li>• Replace capacitor.</li> <li>• Replace motor.</li> <li>• Replace motor.</li> </ul>
Both light and motor do not work	<p>Apart from the above mentioned, check the following:</p> <ul style="list-style-type: none"> <li>• Light damaged.</li> <li>• Power cord loose.</li> </ul>	<ul style="list-style-type: none"> <li>• Replace lights.</li> <li>• Connect the wires as the electric diagram.</li> </ul>
Oil leakage	<ul style="list-style-type: none"> <li>• Outlet and the air ventilation entrance are not tightly sealed.</li> </ul>	<ul style="list-style-type: none"> <li>• Take down the outlet and seal with glue.</li> </ul>
Vibration	<ul style="list-style-type: none"> <li>• The blade, if damaged, can cause vibrating.</li> <li>• The motor is not tightly fastened.</li> <li>• The cooker hood is not tightly fixed.</li> </ul>	<ul style="list-style-type: none"> <li>• Replace the blade.</li> <li>• Fasten the motor tightly.</li> <li>• Fixed the cooker hood tightly.</li> </ul>
Insufcient suction	<ul style="list-style-type: none"> <li>• The distance between the cooker hood and the cooker top is too large.</li> <li>• Too much ventilation from open doors or windows.</li> </ul>	<ul style="list-style-type: none"> <li>• Readjust the distance.</li> <li>• Choose a new place to install the appliance or close some doors / windows.</li> </ul>
The machine inclines	<ul style="list-style-type: none"> <li>• The fixing screws are not tight enough.</li> <li>• The hanging screws are not tight enough</li> </ul>	<ul style="list-style-type: none"> <li>• Tighten the fixing screw and make it horizontal.</li> <li>• Tighten the hanging screw and make it horizontal.</li> </ul>

## C

## Cleaning and maintenance

## Self diagnosis function

The error code	Reason	Solution
01	<ul style="list-style-type: none"> <li>Furnace surface NTC open circuit</li> </ul>	<ul style="list-style-type: none"> <li>Replace the furnace surface NTC</li> </ul>
02	<ul style="list-style-type: none"> <li>NTC short circuit on furnace surface</li> </ul>	<ul style="list-style-type: none"> <li>Replace the furnace surface NTC</li> </ul>
03	<ul style="list-style-type: none"> <li>The NTC temperature of the furnace surface is too high</li> </ul>	<ul style="list-style-type: none"> <li>After the shutdown error is reported, wait for the cooling to resume normal operation</li> </ul>
04	<ul style="list-style-type: none"> <li>The heat sink NTC is open</li> </ul>	<ul style="list-style-type: none"> <li>Replace the heat sink NTC</li> </ul>
05	<ul style="list-style-type: none"> <li>The radiator NTC is short-circuited</li> </ul>	<ul style="list-style-type: none"> <li>Replace the heat sink NTC</li> </ul>
06	<ul style="list-style-type: none"> <li>Heat dissipation The NTC temperature is too high</li> </ul>	<ul style="list-style-type: none"> <li>After the shutdown error is reported, wait for the cooling to resume normal operation</li> </ul>
07	<ul style="list-style-type: none"> <li>The input low voltage</li> </ul>	<ul style="list-style-type: none"> <li>Check whether the external input voltage is lower than 150V</li> </ul>
08	<ul style="list-style-type: none"> <li>The input high voltage</li> </ul>	<ul style="list-style-type: none"> <li>Check whether the external input voltage is higher than 270V</li> </ul>
09	<ul style="list-style-type: none"> <li>Reception communication failure</li> </ul>	<ul style="list-style-type: none"> <li>Check whether the connection between the display board and the induction cooker board is faulty, and replace the communication cable</li> </ul>
10	<ul style="list-style-type: none"> <li>Furnace surface NTC failure</li> </ul>	<ul style="list-style-type: none"> <li>Check whether the temperature sensor of the furnace surface is in contact with the furnace surface, and whether there is glass glue contact</li> </ul>
11	<ul style="list-style-type: none"> <li>Internal fault, open disk, no synchronization signal</li> </ul>	<ul style="list-style-type: none"> <li>Check whether the solenoid coil is open, and determine whether to replace the cable disk</li> </ul>
12	<ul style="list-style-type: none"> <li>Fan fault</li> </ul>	<ul style="list-style-type: none"> <li>Check whether the fan module is open</li> </ul>
13	<ul style="list-style-type: none"> <li>Dry</li> </ul>	<ul style="list-style-type: none"> <li>Shut down and run again</li> </ul>

# C

## Cleaning and maintenance

Failure	Problem	Solution A	Solution B
The LED does not come on when unit is plugged in	<ul style="list-style-type: none"> <li>No power supplied.</li> <li>The accessorial power board and the display board connected failure.</li> <li>The accessorial power board is damaged.</li> <li>The display board is damaged.</li> </ul>	<ul style="list-style-type: none"> <li>The LED does not come on when unit is plugged in.</li> <li>Check the connection.</li> <li>Replace the accessorial power board.</li> <li>Replace the display board.</li> </ul>	
Some buttons can't work, or the LED display is not normal	<ul style="list-style-type: none"> <li>The display board is damaged.</li> </ul>	<ul style="list-style-type: none"> <li>Replace the display board.</li> </ul>	
The Cooking Mode Indicator comes on, but heating does not start	<ul style="list-style-type: none"> <li>High temperature of the hob.</li> <li>There is something wrong with the fan.</li> <li>The power board is damaged.</li> </ul>	<ul style="list-style-type: none"> <li>Ambient temperature may be too high. Air Intake or Air Vent may be blocked.</li> <li>Check whether the fan runs smoothly; if not, replace the fan.</li> <li>Replace the power board.</li> </ul>	
Heating stops suddenly during operation and the display flashes "u"	<ul style="list-style-type: none"> <li>Pan Type is wrong.</li> <li>Pot diameter is too small.</li> <li>Cooker has overheated;</li> </ul>	<ul style="list-style-type: none"> <li>Use the proper pot (refer to the instruction manual.)</li> <li>Unit is overheated. Wait for temperature to return to normal. Push "ON/OFF" button to restart unit.</li> </ul>	<ul style="list-style-type: none"> <li>Pan detection circuit is damaged, replace the power board.</li> </ul>
Heating zones of the same side (Such as the first and the second zone ) would display "u"	<ul style="list-style-type: none"> <li>The Main board is damaged.</li> </ul>	<ul style="list-style-type: none"> <li>Replace the power board.</li> </ul>	

## C

## Cleaning and maintenance

Failure	Problem	Solution A	Solution B
Fan motor sounds abnormal	<ul style="list-style-type: none"><li>The fan motor is damaged.</li></ul>	<ul style="list-style-type: none"><li>Replace the fan.</li></ul>	

The above are the judgment and inspection of common failures.  
Please do not disassemble the unit by yourself to avoid any dangers and damages to the induction hob.

# Merci !

Merci d'avoir choisi ce produit VALBERG.  
Choisis, testés et recommandés par ELECTRO DEPOT,  
les produits de la marque VALBERG vous assurent  
une utilisation simple, une performance fiable et  
une qualité irréprochable.  
Grâce à cet appareil, vous savez que chaque utilisation  
vous apportera satisfaction.

Bienvenue chez ELECTRO DEPOT.

Visitez notre site Internet : [www.electrodepot.fr](http://www.electrodepot.fr)  
[www.electrodepot.be](http://www.electrodepot.be)

## VOTRE AVIS COMPTE !



PARTAGEZ  
VOTRE EXPERIENCE  
SUR LES PRODUITS

Parce que votre satisfaction est notre priorité, nous vous proposons  
de donner votre avis sur ce produit. Il sera transmis et analysé par  
nos équipes afin d'améliorer continuellement le produit.

**Donnez votre avis sur <http://www.electrodepot.fr/avis-client>**



**ELECTRO DEPOT**

36

FR

## Table des matières

### **A** Aperçu de l'appareil

Pièces

### **B** Utilisation de l'appareil

Dimensions  
Installation  
Perçage mural et fixation de supports  
Schéma électrique  
Instructions de fonctionnement

### **C** Nettoyage et entretien

Nettoyage et entretien  
Guide de dépannage

Les notices sont aussi disponibles sur le site  
<http://www.electrodepot.fr/sav/notices/>  
<http://www.electrodepot.be/fr/sav/notices>

# A

## Aperçu de l'appareil

### Description du produit

- Chauffe-plats
- Double pont
- Minuterie individuelle pour la table de cuisson
- Extraction automatique
- Sécurité enfant
- Contrôle tactile et glissant
- Volume d'air élevé
- Faible niveau sonore
- Arrêt différé d'une minute
- Facile à nettoyer
- Moteur CC sans balais
- Haute efficacité énergétique
- CB CE GS

### Pièces

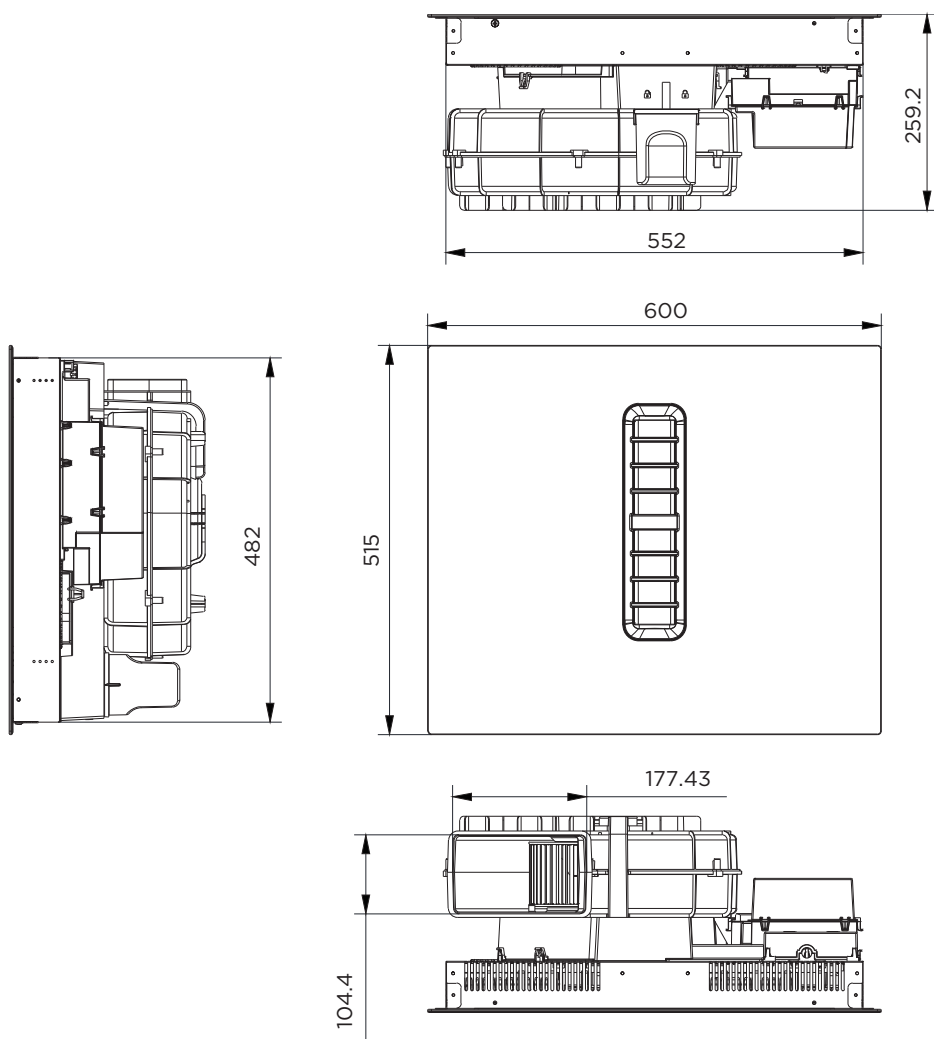
- A** Boîtier principal
- B** Gobelet
- C** Grille
- D** Filtre
- E** Conversion directe
- F** Tête de conversion 90 °
- G** Anneau en caoutchouc
- H** Bande éponge
- I** Vis M4\*10 x 4
- J** Support de montage x 4

# B

## Utilisation de l'appareil

### Dimensions

unité : mm





## Installation

### Avant d'installer la table de cuisson, assurez-vous que :

- Le plan de travail est d'équerre et de niveau, et qu'aucun élément de structure n'interfère avec l'espace disponible.
- Le plan de travail est fabriqué dans un matériau résistant à la chaleur et isolé.
- Si la table de cuisson est installée au-dessus d'un four, ce dernier est équipé d'un ventilateur de refroidissement intégré.
- L'installation est conforme à toutes les exigences en matière d'espace libre et aux normes et réglementations applicables.
- Un sectionneur approprié permettant une déconnexion totale de l'alimentation électrique est incorporé au câblage permanent, monté et positionné conformément aux règles et réglementations locales en matière de câblage.
- Le sectionneur doit être d'un type approuvé et assurer une séparation des contacts de 3 mm dans tous les pôles (ou dans tous les conducteurs actifs [de phase] si les règles locales de câblage autorisent cette variation des exigences).
- Le sectionneur sera facilement accessible au client lorsque la table de cuisson sera installée.
- En cas de doute concernant l'installation, consultez les autorités et les règlements locaux en matière de construction.
- Utilisez des finitions résistantes à la chaleur et faciles à nettoyer (telles que des carreaux de céramique) pour les surfaces murales entourant la table de cuisson.

### Après l'installation de la table de cuisson, assurez-vous que :

- Le câble d'alimentation n'est pas accessible par les portes de placard ou les tiroirs.
- Le flux d'air frais entre l'extérieur du meuble et la base de la table de cuisson est suffisant. Si la table de cuisson est installée au-dessus d'un tiroir ou d'un placard, une barrière de protection thermique est installée sous la base de la table de cuisson.
- Le sectionneur est facilement accessible par le client.
- Veuillez placer un trou d'aération d'une surface totale d'au moins 100 cm<sup>2</sup> dans la partie inférieure de la cuisinière afin de maintenir la circulation de l'air extérieur, sous peine de provoquer une accumulation de fuites de gaz et d'entraîner une explosion. Si une bouteille de gaz de pétrole liquéfié est utilisée, la distance entre le réchaud et la bouteille de gaz doit être supérieure à 100 cm.

## B

## Utilisation de l'appareil



### ATTENTION !

- La plaque de cuisson à induction doit être installée par du personnel ou des techniciens qualifiés. Nous avons des professionnels à votre service. N'effectuez jamais l'opération vous-même.
- La plaque de cuisson ne doit pas être installée directement au-dessus d'un lave-vaisselle, d'un réfrigérateur, d'un congélateur, d'un lave-linge ou d'un sèche-linge, car l'humidité peut endommager l'électronique de la plaque.
- La plaque de cuisson à induction doit être installée de manière à assurer un meilleur rayonnement de la chaleur afin d'améliorer sa fiabilité.
- La paroi et la zone de chauffage induit au-dessus de la surface de la table doivent résister à la chaleur.
- Pour éviter tout dommage, la couche sandwich et la colle doivent être résistantes à la chaleur.
- N'utilisez pas de nettoyeur vapeur.

### Raccordement de la table de cuisson au réseau électrique



### ATTENTION !

Vérifiez auprès d'un électricien si le système de câblage domestique est adapté sans modifications. Toute modification doit être effectuée par un électricien qualifié. Cette table de cuisson ne doit être raccordée au réseau électrique que par une personne dûment qualifiée. Avant de brancher la table de cuisson au secteur, vérifiez que :

- Le système de câblage domestique est adapté à la puissance absorbée par la table de cuisson.
- La tension correspond à la valeur indiquée sur la plaque signalétique.
- Les sections du câble d'alimentation peuvent supporter la charge indiquée sur la plaque signalétique.

Pour raccorder la table de cuisson au réseau électrique, n'utilisez pas d'adaptateurs, de réducteurs ou de dispositifs de dérivation, car ils peuvent provoquer une surchauffe et un incendie.

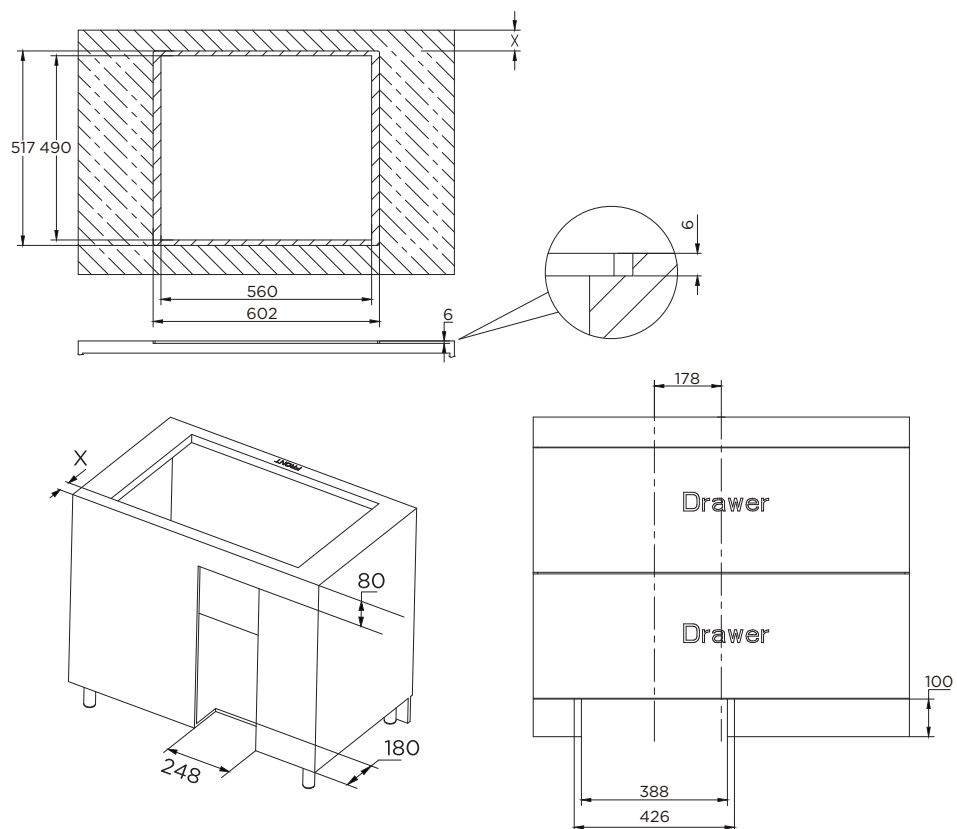
Le câble d'alimentation ne doit pas toucher de pièces chaudes et doit être placé de manière à ce que sa température ne dépasse pas 75 °C en tout point.

# B

## Utilisation de l'appareil

### Perçage mural et fixation de supports

INSTALLATION À FLEUR DE PLAN



Largeur de la table (Y)	X
600 - 650 mm	54 mm
≥ 650 mm	65 mm

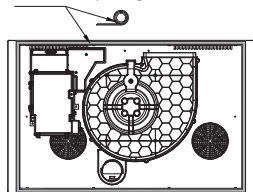
## B

## Utilisation de l'appareil

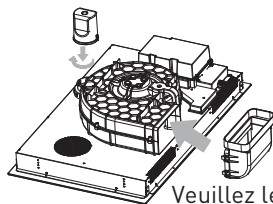
### Circulation interne

1. Collez les bandes éponge

Bande éponge

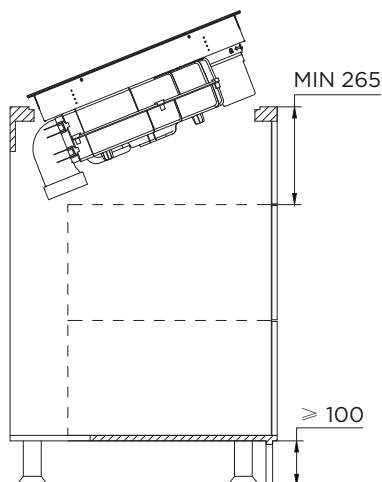


2. Installez le gobelet à eau et l'adaptateur

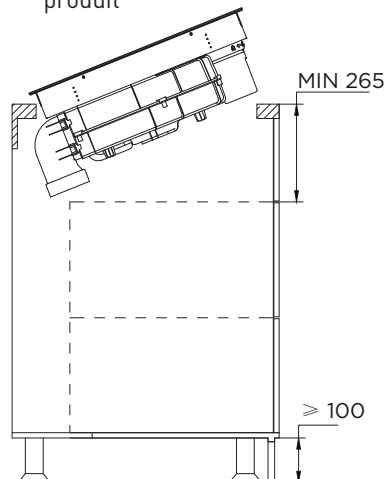


Veillez le coller et le fixer après l'installation

Placez l'ensemble de l'appareil dans le placard et ajustez le produit

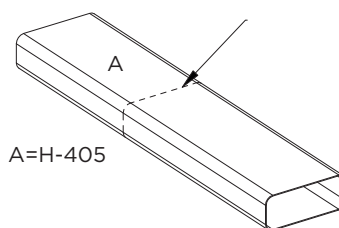
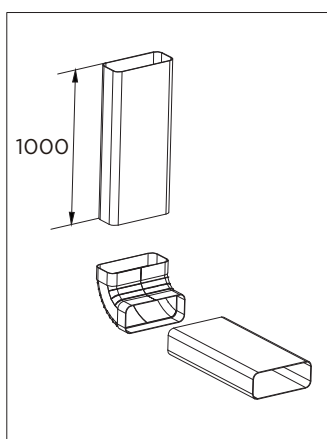
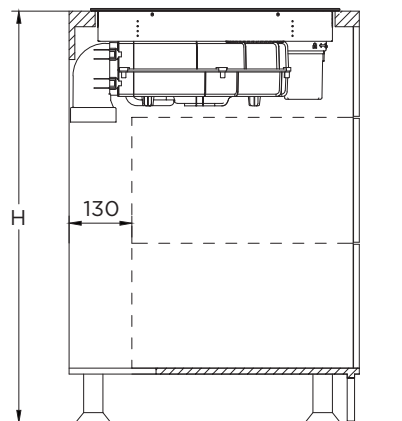
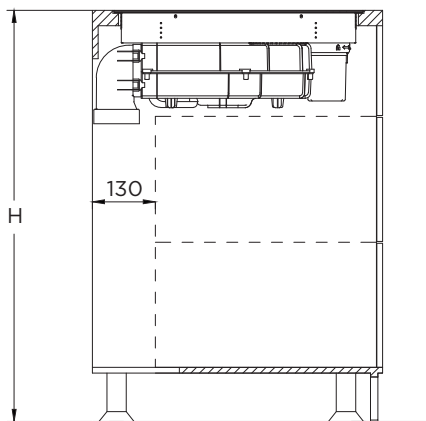


Placez l'ensemble de l'appareil dans le placard et ajustez le produit

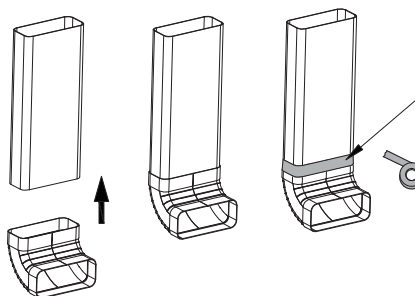


# B

## Utilisation de l'appareil

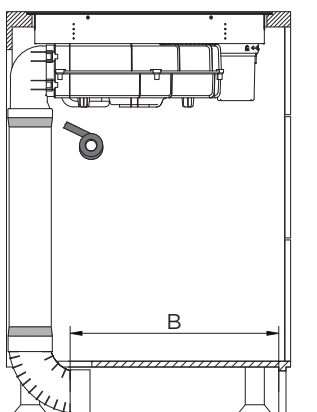
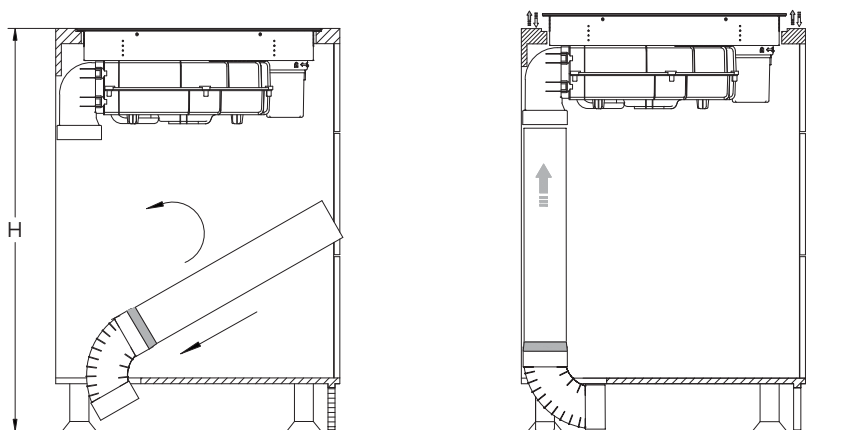


Naber S04024  
Naber S04020

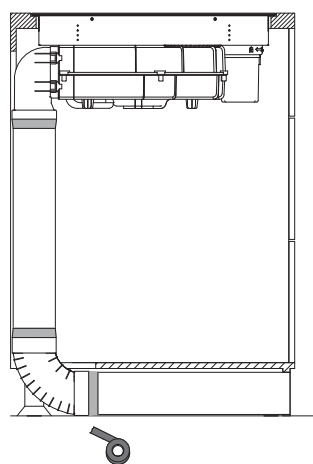
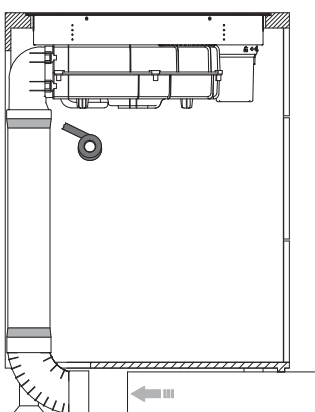
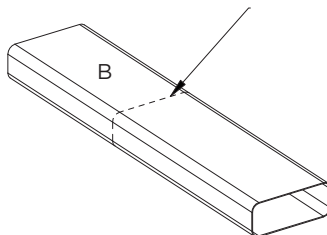


# B

## Utilisation de l'appareil



Utilisez une scie pour couper le tuyau à la longueur requise

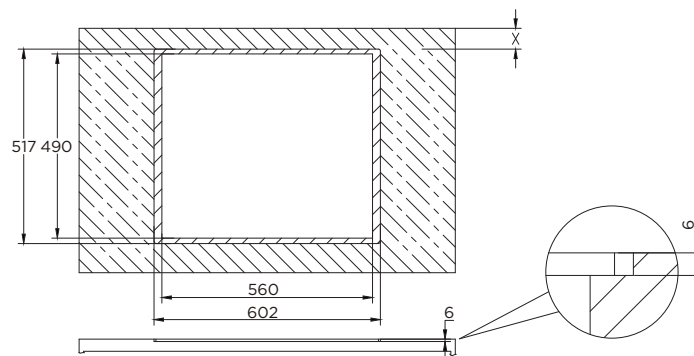


# B

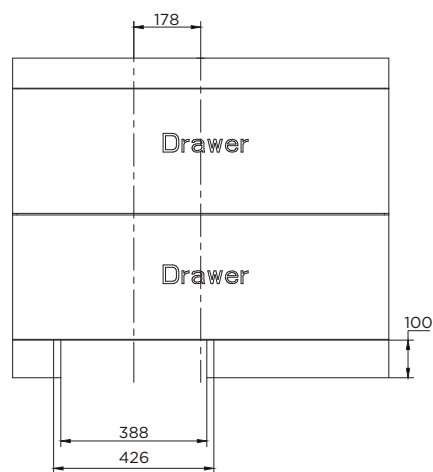
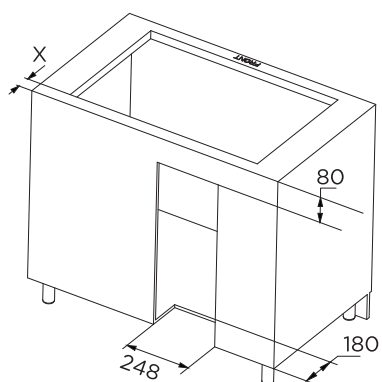
## Utilisation de l'appareil

### Dimensions de l'ouverture du placard

#### INSTALLATION À FLEUR DE PLAN



Largeur de la table (Y)	X
600 - 650 mm	54 mm
≥ 650 mm	65 mm



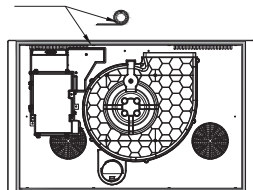
## B

## Utilisation de l'appareil

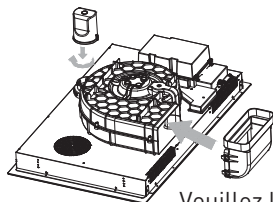
### Circulation externe

1. Collez les bandes éponge

Bande éponge

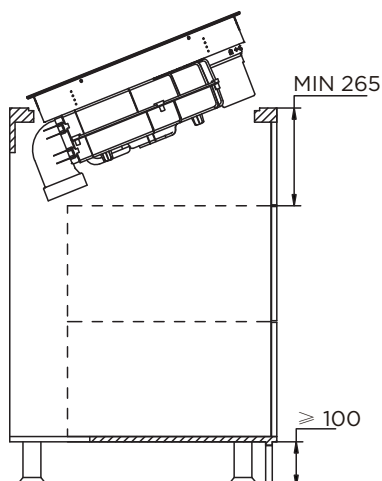


2. Installez le gobelet à eau et l'adaptateur 90 °

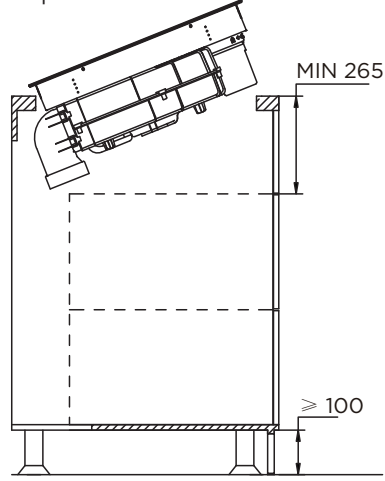


Veillez le coller et le fixer après l'installation

Placez l'ensemble de l'appareil dans le placard et ajustez le produit



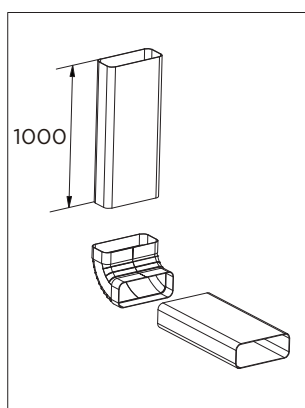
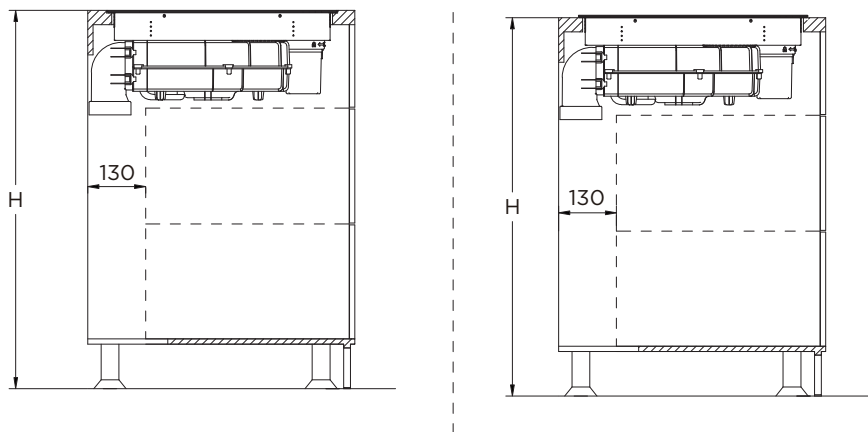
Placez l'ensemble de l'appareil dans le placard et ajustez le produit





## B

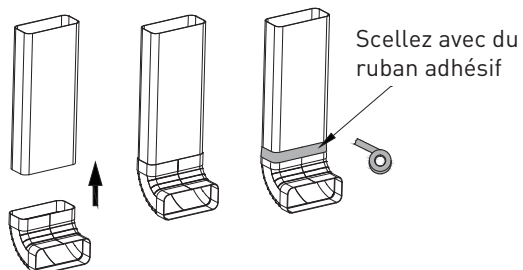
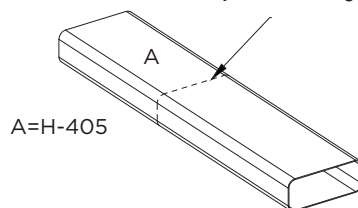
## Utilisation de l'appareil



Naber S04024  
Naber S04020

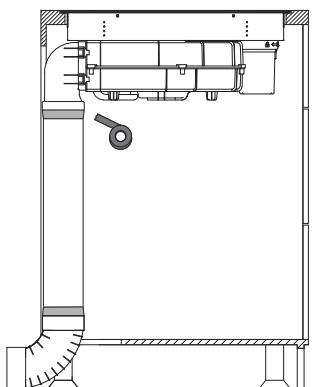
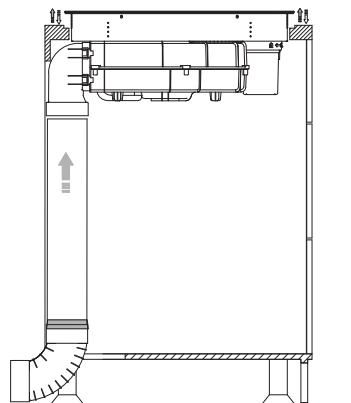
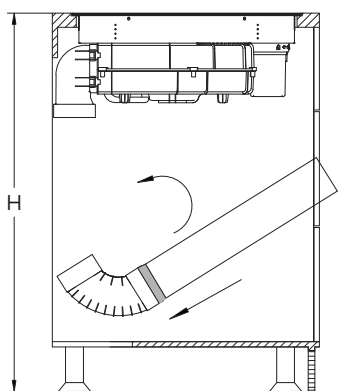


Utilisez une scie pour couper  
le tuyau à la longueur requise

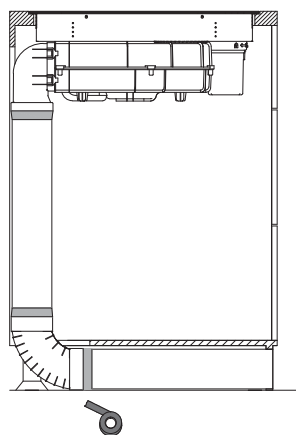
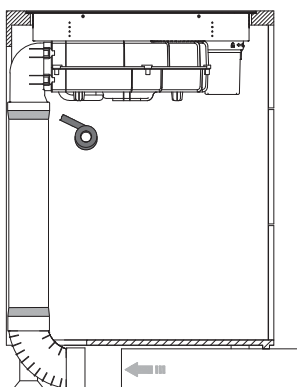
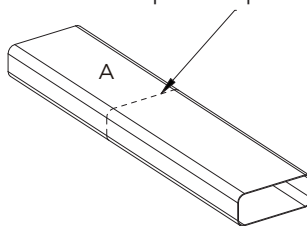


## B

## Utilisation de l'appareil



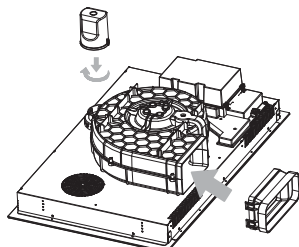
Utilisez une scie pour couper le tuyau à la longueur requise



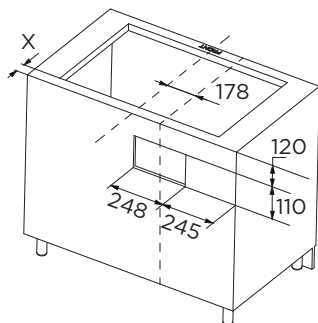
# B

## Utilisation de l'appareil

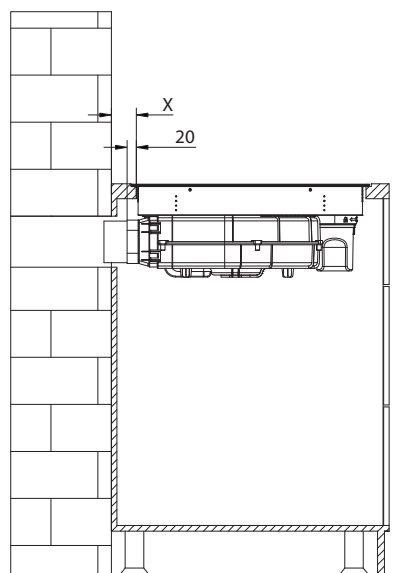
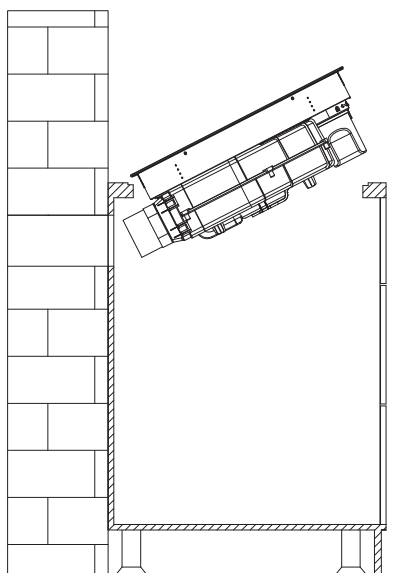
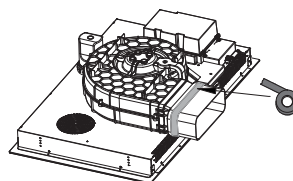
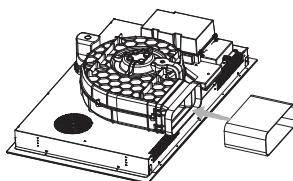
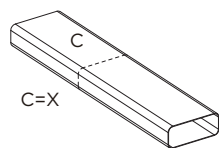
### Schéma I : Installation du gobelet à eau et de l'adaptateur droit



Veuillez le coller et le fixer après l'installation

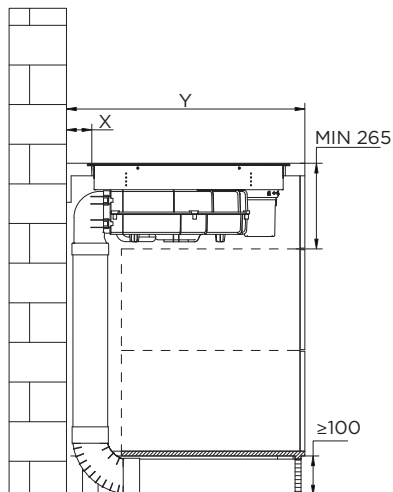


Largeur de la table (Y)	X
600 - 650 mm	54 mm
≥ 650 mm	65 mm

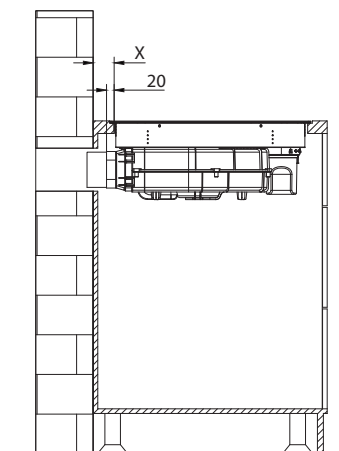
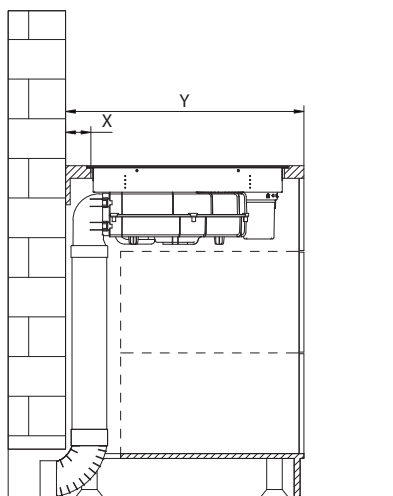


## B Utilisation de l'appareil

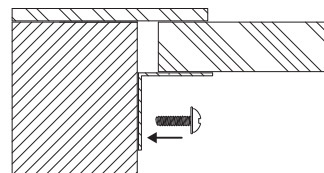
### Circulation interne



### Circulation externe



Après l'installation du produit, installez quatre supports de chaque côté du produit pour éviter qu'il ne tombe.



# B

## Utilisation de l'appareil

### Schéma électrique

	Raccordement électrique	Schéma de connexion côté intérieur	Câble d'alimentation
220-240 V~			5G 2,5 mm <sup>2</sup> H07RN-F L1 : BK L2 : BN N1 : GY N2 : BU PE : GN/YE
380 - 415 V~			5G 2,5 mm <sup>2</sup> H07RN-F L1 : BK L2 : BN N1 : GY N2 : BU PE : GN/YE

L1, L2 = Phase, N1, N2 = Neutre, PE = Terre

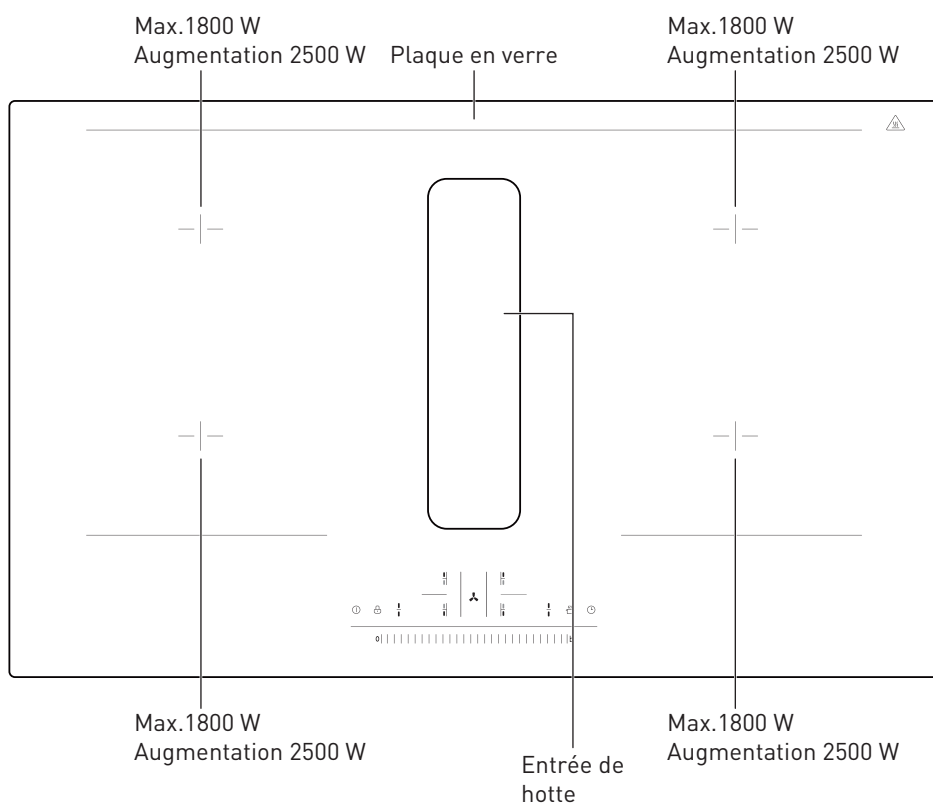
Le diamètre du fil électrique de connexion doit être supérieur à 4,0 mm<sup>2</sup>

# B

## Utilisation de l'appareil

### Instructions de fonctionnement

#### Réglage de la vitesse. (Pour certains modèles)



Interrupteur principal



Sécurité enfant



Montage en pont



Zone de cuisson au choix



Sélection du ventilateur



Préservation de la chaleur



Durée





Zone de contrôle des engrenages

## B

## Utilisation de l'appareil

•	Voyant d'état d'activation		Voyant d'affichage du ventilateur ou de la zone de cuisson
(••)	Affichage de l'activation de la tringlerie du ventilateur		Affichage de l'heure

Bouton	Fonction	Remarques
• 	Interrupteur principal	<ul style="list-style-type: none"> <li>Appuyez brièvement sur cette touche pour mettre en marche ou éteindre l'appareil.</li> </ul>
• 	Sécurité enfant	<ul style="list-style-type: none"> <li>Appuyez longuement sur le bouton de sécurité enfant pour accéder au mode de verrouillage ; le voyant du mode sécurité enfant s'allume. Les autres boutons ne seront plus valides à l'exception du interrupteur principal et du bouton du mode sécurité enfant.</li> <li>Appuyez longuement sur le bouton pour déverrouiller. Le voyant du mode sécurité enfant s'éteint et les autres boutons sont rétablis.</li> </ul>

## B

## Utilisation de l'appareil



### Montage en pont

- Appuyez brièvement sur le bouton de montage en pont situé à gauche, le voyant lumineux s'allumera et les zones de cuisson de gauche seront activées.
- La puissance des deux zones de cuisson de gauche peut être réglée simultanément en mode montage en pont. En mode de fonctionnement, une pression courte annule l'opération de montage en pont et ferme les zones de cuisson de gauche. En mode de montage en pont, les zones de cuisson de gauche peuvent être utilisées régulièrement en même temps.
- Appuyez brièvement sur le bouton de montage en pont situé à droite, le voyant lumineux s'allumera et les zones de cuisson de droite seront activées. La puissance des deux zones de cuisson de droite peut être réglée simultanément en mode montage en pont. En état de fonctionnement, une pression courte annule l'opération de montage en pont et ferme les zones de cuisson de four de droite. En mode montage en pont, les zones de cuisson de four de droite peuvent être utilisées régulièrement en même temps.



### Préservation de la chaleur

- Appuyez sur le bouton de préservation de la chaleur pour accéder au mode de préservation de la chaleur. La zone de cuisson en cours de fonctionnement fonctionne en vitesse inférieure, et l'écran affiche L ; Lorsque le bouton de préservation de la chaleur ou d'autres boutons sont pressés à nouveau, le mode de préservation de la chaleur est annulé, et la zone de cuisson revient au mode de fonctionnement précédent.
- En mode de préservation de la chaleur, le voyant s'allume.



## B

## Utilisation de l'appareil



Durée

- La durée de la zone de cuisson peut être réglée entre 00 et 99 minutes. Dans le mode sélectionné de la zone de cuisson, appuyez sur le bouton du minuteur pour minuter la zone de cuisson sélectionnée ;
- La durée du minuteur peut être réglée en unités et en dizaines de minutes, en réglant d'abord le chiffre des dizaines, puis le chiffre des unités. Après le réglage du chiffre des dizaines, levez le doigt du curseur pendant trois secondes, ou appuyez à nouveau sur le bouton du minuteur pour passer au réglage du chiffre des unités ;
- Après le réglage du chiffre des unités, levez le doigt du curseur pendant trois secondes pour accéder au mode de compte à rebours ; durant le réglage, appuyez à nouveau sur le bouton du minuteur pour annuler le réglage du minuteur, si besoin. Réglez l'heure en faisant glisser le bouton coulissant ;
- Une fois que le minuteur a démarré, le temps de la minuterie diminue de minute en minute. Une fois le temps écoulé, l'avertisseur sonore 6 retentit et s'éteint.



Bouton de sélection de la zone supérieure gauche

- La zone supérieure gauche est sélectionnée pour le réglage de la puissance ou de la durée, et le voyant clignotant à gauche indique le niveau de puissance de la zone de cuisson sélectionnée ; le réglage initial de 5 niveaux de puissance est effectué. Lorsque la zone de cuisson est sélectionnée, le tube numérique clignote pendant 3 secondes et le bouton coulissant permet de régler la vitesse.



Bouton de sélection de la zone inférieure gauche

- Sélectionnez la zone inférieure gauche et réglez la puissance et la durée ; le voyant gauche clignotant indique que le tube numérique en cours affiche le mode de la zone de cuisson et le réglage initial de 5 niveaux de puissance est effectué. Lorsque la zone de cuisson est sélectionnée, le tube numérique clignote pendant 3 secondes et le bouton coulissant permet de régler la vitesse.

## B

## Utilisation de l'appareil



Bouton de sélection de la zone supérieure droite

- Sélectionnez la zone supérieure droite et réglez la puissance et la durée ; le voyant droit clignotant indique que le tube numérique en cours affiche le mode de la zone de cuisson et le réglage initial de 5 niveaux de puissance est effectué. Lorsque la zone de cuisson est sélectionnée, le tube numérique clignote pendant 3 secondes et le bouton coulissant permet de régler la vitesse.



Bouton de sélection de la zone inférieure droite

- Sélectionnez la zone inférieure droite et réglez la puissance et la durée ; le voyant droit clignotant indique que le tube numérique en cours affiche le mode de la zone de cuisson et le réglage initial de 5 niveaux de puissance est effectué. Lorsque la zone de cuisson est sélectionnée, le tube numérique clignote pendant 3 secondes et le bouton coulissant permet de régler la vitesse.



Bouton de sélection du ventilateur

- Lorsque le ventilateur est mis sous tension pour la première fois, le bouton d'appariement s'allume et le ventilateur est en mode d'appariement.
- Sélectionnez le bouton du ventilateur, le bouton coulissant peut contrôler directement la vitesse du ventilateur (1-8 vitesse b), la vitesse la plus élevée est la vitesse b ; après 5 minutes, passez à la vitesse 7. Si vous sélectionnez la vitesse 8, après 8 minutes, passez à la vitesse 7.
- L'écran du bouton du ventilateur indique la vitesse du ventilateur.
- Lorsque vous sélectionnez le ventilateur, appuyez à nouveau sur le bouton du ventilateur pour passer au mode d'arrêt différé d'une minute, et l'e tube numérique s'affichera. Si vous appuyez à nouveau sur le bouton, le ventilateur s'arrêtera directement.

## B

## Utilisation de l'appareil

8	Tube numérique simple 8	<ol style="list-style-type: none"> <li>1. Affichage des vitesses de 1 à 8 de la zone en cours.</li> <li>2. « b » indique le niveau de puissance de la table de cuisson et le niveau de vitesse du ventilateur ;</li> <li>3. « u » signale qu'il n'y a pas d'ustensile.</li> <li>4. « H » rappelle que la température résiduelle de la surface est trop élevée ;</li> <li>5. « 0 » indique la puissance de sortie de la zone de cuisson ;</li> <li>6. En cas d'anomalie, le régulateur de vitesse de la zone de cuisson ou du fumoir défectueux s'affiche sous la forme d'un « E » ;</li> </ol>
00	Tube numérique double 8	<ol style="list-style-type: none"> <li>1. Affichage de la durée, de 00 à 99 minutes ;</li> <li>2. En cas d'erreur, le code d'erreur en cours est affiché ;</li> <li>3. L'affichage « ⏻ » indique le mode de veille.</li> </ol>
⋮	Fonction de contrôle du bouton coulissant	<ol style="list-style-type: none"> <li>1. La vitesse de la zone de cuisson, la vitesse du ventilateur et la durée du minuteur peuvent être réglés en faisant glisser le bouton coulissant vers la gauche et vers la droite.</li> <li>2. Lors de l'arrêt d'une zone ou d'un ventilateur, la zone 1, la zone 2, la zone 3, la zone 4 et le ventilateur sont scannés tour à tour et la commande est transférée à la zone de cuisson ou au ventilateur qui fonctionne.</li> </ol>

## B

## Utilisation de l'appareil

(••)

Affichage d'activation  
de liaison

- Le bouton de liaison est activé lorsque le produit est mis sous tension pour la première fois, et le mode précédent est mémorisé à chaque mise sous tension du produit.
- Appuyez longuement durant 3 secondes pour annuler la liaison entre le ventilateur et la table de cuisson.
- Appuyez longuement sur le bouton de sélection du ventilateur pour activer la liaison entre le ventilateur et la table de cuisson.
  - (1) Obtenez la valeur de puissance maximale de la zone en cours pour synchroniser la puissance du ventilateur avec la puissance maximale de la zone en cours. Si la puissance maximale des quatre zones est réglée sur 8 par défaut, le ventilateur sera également réglé sur 8.
  - (2) Le ventilateur et la plaque de cuisson ont une fonction d'adaptation.
    - Par exemple, lorsque la zone de cuisson fonctionne avec la 5e puissance et que la vitesse du ventilateur est réglée manuellement à la 6e vitesse,  $6 - 5 = 1$  ; lorsque la puissance de la zone est à nouveau réglée manuellement à la vitesse N, la vitesse du ventilateur est de  $N + 1$  ; bien entendu, lorsque la vitesse du ventilateur atteint la 9e vitesse, la vitesse du ventilateur n'augmentera pas.
    - Par exemple, lorsque la zone de cuisson fonctionne avec la 5e puissance et que la vitesse du ventilateur est réglée manuellement à la 4e vitesse,  $4 - 5 = 1$  ; lorsque la puissance de la zone est à nouveau réglée manuellement à la vitesse N, la vitesse du ventilateur est de  $N - 1$  ; bien entendu, lorsque la vitesse du ventilateur atteint la 1ère vitesse, la vitesse du ventilateur ne diminuera pas.

## B

## Utilisation de l'appareil

1. Coordination de la puissance (veillez à ce que la puissance de sortie ne dépasse pas 3 600 W lorsque les deux zones de cuisson du même côté fonctionnent simultanément). Dans le processus actuel de réglage du four à induction, la puissance maximale des deux zones de cuisson du même côté ne doit pas dépasser 3600 W. Si la puissance totale calculée dépasse 3 600 W au cours du processus de réglage, réduisez la puissance de la zone de cuisson non utilisée du même côté afin de vous assurer que la puissance actuelle correspond à la puissance cible souhaitée par l'utilisateur et que la puissance totale ne dépasse pas 3 600 W.
2. Fonction de réglage de la puissance : Appuyez sur deux boutons de liaison pour passer au mode de réglage de la puissance. Une fois le réglage de la puissance effectué, appuyez sur le bouton de montage en pont gauche pour réduire la puissance maximale et sur le bouton de montage en pont droit pour augmenter la puissance maximale. Il existe 5 niveaux de puissance : 2800 W, 3600 W, 4600 W, 5800 W, 7200 W. Si vous ne réglez pas la puissance maximale pendant 30 secondes ou si vous n'appuyez pas sur le bouton d'alimentation, le système entre en mode d'arrêt.
3. Le produit dispose de deux modes : le mode économie d'énergie (mode externe) et le mode conventionnel (mode cycle interne). En mode d'économie d'énergie, il n'y a pas de puissance d'appoint, et il y a deux puissances d'appoint en mode conventionnel, qui est le mode conventionnel par défaut. En mode de veille, appuyez et maintenez enfoncés le bouton du ventilateur et le bouton sécurité enfant durant 2 secondes pour passer au réglage de commutation de mode. À ce moment là, appuyez sur le bouton du ventilateur pour changer de mode. 0 indique le mode normal et 1 indique le mode d'économie d'énergie.

Répartition de la puissance du feu (Remarque : Intermittent : 1000 W par intermittence)

Vitesse	0	1	2	3	4	5	6	7	8	b
Puissance (W)	0	100	200	300	800	1200	1 400	1600	1800	2500

Répartition de la puissance en utilisation de la zone flexible

Vitesse	0	1	2	3	4	5	6	7	8	b
Puissance (W)	0	100	200	300	800	1 000	1200	1 400	1600	1800

Répartition des vitesses de la puissance du ventilateur

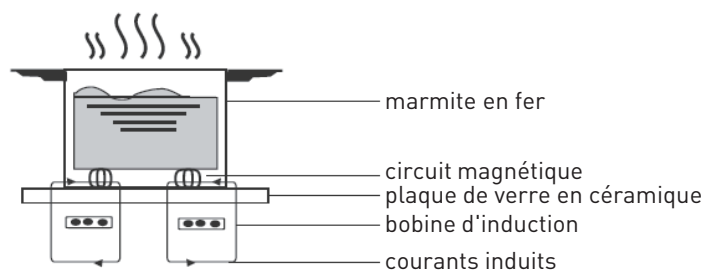
Vitesse	0	1	2	3	4	5	6	7	8	b
Volume d'air (m <sup>3</sup> /h)	0	290	310	340	360	380	420	470	540	580
Durée de fonctionnement (min)				Longue durée					8	5

## B

## Utilisation de l'appareil

### **Théorie de fonctionnement**

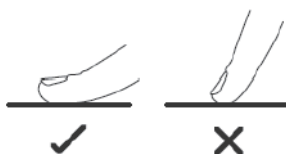
- La cuisson par induction est une technologie de cuisson sûre, avancée, efficace et économique. Elle fonctionne grâce à des vibrations électromagnétiques qui génèrent de la chaleur directement dans l'ustensile de cuisson, plutôt qu'indirectement en chauffant la surface en verre. Le verre ne devient chaud que parce que l'ustensile de cuisson finit par le réchauffer.



### **Fonctionnement du produit**

#### Commandes tactiles

- Les commandes réagissent au toucher, il n'est donc pas nécessaire d'exercer une quelconque pression.
- Utilisez la boule de votre doigt, et non son extrémité.
- Vous entendrez un bip à chaque fois qu'un bouton est enregistré.
- Veillez à ce que les commandes soient toujours propres et sèches, et à ce qu'aucun objet (par exemple un ustensile ou un chiffon) ne les recouvre. Même une fine pellicule d'eau peut rendre les commandes difficiles à utiliser.



#### Choix des bons ustensiles de cuisine



- Utilisez uniquement des ustensiles de cuisine dont le fond est adapté à la cuisson à induction.
- Recherchez le symbole d'induction sur l'emballage ou au fond de l'ustensile de cuisson.
- Les plats seront détectés par l'appareil si ceux-ci mesurent 14 cm de diamètre ou plus.

## B

### Utilisation de l'appareil

- Vous pouvez vérifier si votre ustensile de cuisine est adapté en effectuant un test magnétique. Approchez un aimant du fond de l'ustensile. S'il est attiré, l'ustensile de cuisson est adapté à l'induction.



- Si vous n'avez pas d'aimant :
  1. Mettez de l'eau dans l'ustensile que vous souhaitez vérifier.
  2. Si **L** ne clignote pas sur l'écran et que l'eau chauffe, l'ustensile convient à l'induction.
- Les ustensiles de cuisine fabriqués dans les matériaux suivants ne conviennent pas : acier inoxydable pur, aluminium ou cuivre sans base magnétique, verre, bois, porcelaine, céramique et faïence.

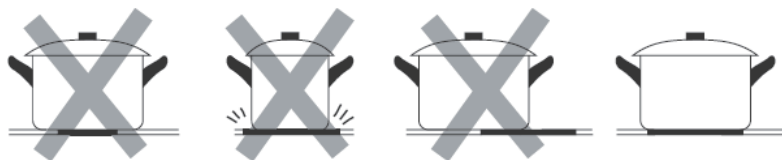
N'utilisez pas d'ustensiles de cuisine aux bords irréguliers ou à la base incurvée.



N'utilisez pas d'autocuiseurs pour chauffer.



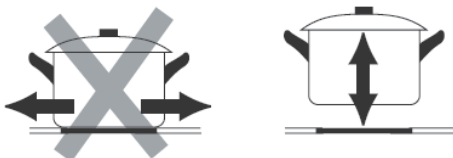
Assurez-vous que la base de votre ustensile de cuisson est lisse, qu'il repose à plat contre le verre et qu'il est de la même taille que la zone de cuisson. Utilisez des ustensiles dont le diamètre est aussi grand que le graphique de la zone choisie. En utilisant un ustensile un peu plus large, l'énergie sera utilisée à son maximum. Si vous utilisez un ustensile plus petit, l'efficacité pourrait être inférieure à celle attendue. Un ustensile de moins de 140 mm peut ne pas être détecté par la table de cuisson. Centrez toujours votre ustensile sur la zone de cuisson.



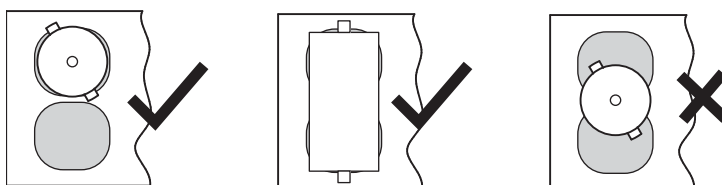
## B

## Utilisation de l'appareil

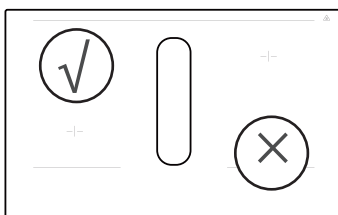
Soulevez toujours les ustensiles de cuisson de la table de cuisson à induction - ne les faites pas glisser, car ils risqueraient de rayer le verre.



Lors de l'utilisation du produit, veuillez vous référer à l'illustration suivante pour placer l'ustensile. Ne placez pas l'ustensile au milieu.



L'ustensile doit être placé dans la zone de sérigraphie du verre.



### Conseils de cuisson



Faites attention lorsque vous faites de la friture, car l'huile et la graisse chauffent très rapidement, en particulier si vous utilisez le mode d'augmentation de la chaleur (PowerBoost). À des températures extrêmement élevées, l'huile et la graisse s'enflamment spontanément, ce qui présente un risque d'incendie grave.

### Conseils de cuisson

- Lorsque les aliments commencent à bouillir, réduisez la température.
- L'utilisation d'un couvercle permet de réduire le temps de cuisson et d'économiser de l'énergie en conservant la chaleur.
- Réduisez la quantité de liquide ou de graisse pour réduire les temps de cuisson.
- Commencez la cuisson à température élevée et réduisez la température lorsque les aliments sont bien chauds.



### Mijoter, cuire le riz

- Le mijotage se produit en dessous du point d'ébullition, à environ 85 °C, lorsque les bulles remontent occasionnellement à la surface du liquide de cuisson. C'est la clé des soupes délicieuses et des ragoûts tendres, car les saveurs se développent sans que les aliments ne soient trop cuits. Vous devez également cuire les sauces à base d'œufs et les sauces épaisses à base de farine en dessous du point d'ébullition.
- Certaines tâches, comme la cuisson du riz par absorption, peuvent nécessiter un réglage plus élevé que le réglage le plus bas pour garantir une cuisson correcte des aliments dans le temps recommandé.

### Saisir un steak

Pour cuire des steaks juteux et savoureux :

- Laissez la viande reposer à température ambiante pendant environ 20 minutes avant la cuisson.
- Faites chauffer une poêle à fond épais.
- Badigeonnez les deux côtés du steak d'huile. Versez une petite quantité d'huile dans la poêle chaude, puis déposez la viande sur la poêle chaude.
- Retournez le steak une seule fois pendant la cuisson. Le temps de cuisson exact dépendra de l'épaisseur du steak et de la cuisson souhaitée. Les temps peuvent varier d'environ 2 à 8 minutes par côté. Appuyez sur le steak pour évaluer son degré de cuisson : plus il est ferme, plus il sera « bien cuit ».
- Laissez le steak reposer quelques minutes sur une assiette chaude pour lui permettre de se détendre et de devenir tendre avant de servir.

### Pour faire sauter

- Choisissez un wok à fond plat compatible induction ou une grande poêle à frire.
- Préparez tous les ingrédients et le matériel. La cuisson à la poêle doit être rapide. Si vous cuisinez de grandes quantités, faites cuire les aliments en plusieurs fois.
- Préchauffez brièvement la poêle et ajoutez deux cuillères à soupe d'huile.
- Faites d'abord cuire la viande, puis mettez-la de côté et gardez-la au chaud.
- Faites sauter les légumes. Lorsqu'ils sont chauds mais encore croquants, réglez la zone de cuisson à un niveau inférieur, remettez la viande dans la poêle et ajoutez votre sauce.
- Remuez délicatement les ingrédients pour vous assurer qu'ils sont bien chauds.
- Servez immédiatement.

### Détection de petits objets

- Lorsqu'un ustensile de taille inappropriée ou non magnétique (par exemple en aluminium), ou tout autre petit objet (par exemple un couteau, une fourchette, une clé) a été laissé sur la table de cuisson, celle-ci se met automatiquement en veille au bout d'une minute. Le ventilateur continuera de refroidir la table de cuisson à induction pendant 1 minute supplémentaire.

### **Réglages de température**

- Les réglages ci-dessous sont donnés à titre indicatif. Le réglage exact dépend de plusieurs facteurs, notamment de votre batterie de cuisine et de la quantité d'aliments que vous cuisinez. Faites des essais avec la table de cuisson à induction pour trouver les réglages qui vous conviennent le mieux.

**B****Utilisation de l'appareil**

<b>Réglage de la température</b>	<b>Pertinence</b>
<b>1 - 2</b>	<ul style="list-style-type: none"><li>• réchauffer délicatement de petites quantités d'aliments</li><li>• faire fondre le chocolat, le beurre et les aliments qui brûlent rapidement</li><li>• mijotage doux</li><li>• réchauffement lent</li></ul>
<b>3 - 4</b>	<ul style="list-style-type: none"><li>• réchauffage</li><li>• mijotage rapide</li><li>• cuisson du riz</li></ul>
<b>5 - 6</b>	<ul style="list-style-type: none"><li>• crêpes</li></ul>
<b>7 - 8</b>	<ul style="list-style-type: none"><li>• sauter</li><li>• cuisson des pâtes</li></ul>
<b>b</b>	<ul style="list-style-type: none"><li>• sauter à feu vif</li><li>• saisir</li><li>• porter la soupe à ébullition</li><li>• faire bouillir de l'eau</li></ul>

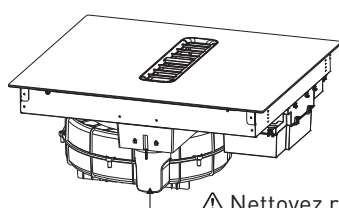
## C

## Nettoyage et entretien

### Nettoyage et entretien

#### Nettoyage de la surface en verre, entretien quotidien

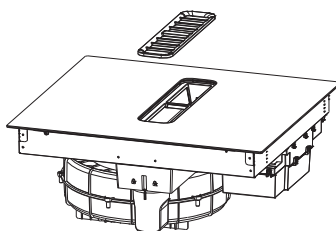
- Lorsque vous utilisez un chiffon pour nettoyer, essayez de ne pas mettre d'eau dans la grille.



⚠ Nettoyez régulièrement le gobelet à eau.

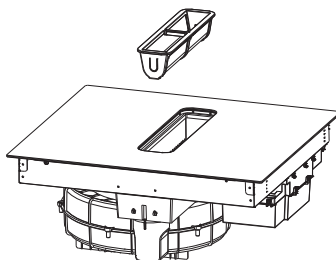
#### Nettoyez la grille et effectuez l'entretien de routine

- Prenez la grille, nettoyez-la soigneusement, puis remettez-la en place.



#### Nettoyage de l'écran du filtre, nettoyage d'entretien quotidien

- Retirez horizontalement le support du filtre, enlevez le filtre du support et lavez-le au lave-vaisselle, ou nettoyez le filtre manuellement. L'eau résiduelle du support du filtre est retirée horizontalement et déversée dans le bassin d'eaux usées.

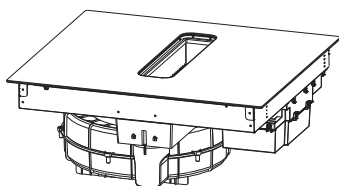


## C

## Nettoyage et entretien

**Nettoyage du gobelet à eau, nettoyage d'entretien quotidien**

- Tournez le gobelet à eau, videz l'eau usée à l'intérieur et remettez-le en place.

**Guide de dépannage**

Problème	Cause possible	Solution
La plaque à induction ne peut pas être mise en marche	<ul style="list-style-type: none"> <li>• Il n'y a pas de courant.</li> </ul>	<ul style="list-style-type: none"> <li>• Assurez-vous que la table de cuisson à induction est connectée à l'alimentation électrique et qu'elle est allumée.</li> <li>• Vérifiez qu'il n'y a pas de coupure de courant à votre domicile ou dans votre région. Si vous avez tout vérifié et que le problème persiste, appelez un technicien qualifié.</li> </ul>
Les commandes tactiles ne répondent pas	<ul style="list-style-type: none"> <li>• Les commandes sont verrouillées.</li> </ul>	<ul style="list-style-type: none"> <li>• Déverrouillez les commandes. Référez-vous à la section « Utilisation de votre table de cuisson à induction » pour les instructions.</li> </ul>
Les commandes tactiles sont difficiles à utiliser	<ul style="list-style-type: none"> <li>• Il se peut qu'une légère pellicule d'eau recouvre les commandes ou que vous utilisiez le bout de votre doigt lorsque vous touchez les commandes.</li> </ul>	<ul style="list-style-type: none"> <li>• Assurez-vous que la zone des commandes tactiles est sèche et utilisez la boule de votre doigt lorsque vous touchez les commandes.</li> </ul>

Problème	Cause possible	Solution
Le verre est rayé	<ul style="list-style-type: none"> <li>• Ustensiles de cuisine aux bords rugueux.</li> <li>• Utilisation d'un produit abrasif ou d'un produit de nettoyage inadapté.</li> </ul>	<ul style="list-style-type: none"> <li>• Utilisez des ustensiles de cuisine à fond plat et lisse. Référez-vous à la section « Choix des ustensiles de cuisine ».</li> <li>• Référez-vous à la section « Entretien et nettoyage »</li> </ul>
La table de cuisson à induction ou une zone de cuisson s'est éteinte inopinément, un signal sonore retentit et un code d'erreur s'affiche (généralement en alternance avec un ou deux chiffres dans l'affichage du minuteur de cuisson).	<ul style="list-style-type: none"> <li>• Il s'agit d'un défaut technique.</li> </ul>	<ul style="list-style-type: none"> <li>• Notez les lettres et les chiffres de l'erreur, coupez l'alimentation de la table de cuisson à induction au mur et contactez un technicien qualifié.</li> </ul>
La table de cuisson à induction émet un léger bourdonnement lorsqu'elle est utilisée à feu vif	<ul style="list-style-type: none"> <li>• Ce bruit est dû à la technologie de la cuisson par induction.</li> </ul>	<ul style="list-style-type: none"> <li>• Ce bruit est normal, mais le bruit devrait s'atténuer ou disparaître complètement lorsque vous diminuez le réglage de la chaleur.</li> </ul>
Les ustensiles ne deviennent pas chauds et « U » apparaît sur l'écran.	<ul style="list-style-type: none"> <li>• La table de cuisson à induction ne peut pas détecter l'ustensile parce qu'il n'est pas adapté à la cuisson par induction.</li> <li>• La table de cuisson à induction ne peut pas détecter l'ustensile parce qu'il est trop petit pour la zone de cuisson ou qu'il n'est pas correctement centré sur celle-ci.</li> </ul>	<ul style="list-style-type: none"> <li>• Utilisez des ustensiles de cuisine adaptés à la cuisson par induction. Référez-vous à la section « Choix des ustensiles de cuisine ».</li> <li>• Centrez l'ustensile et assurez-vous que sa base correspond à la taille de la zone de cuisson.</li> </ul>

## C

## Nettoyage et entretien

Problème	Cause possible	Solution
Bruit de ventilateur provenant de la table de cuisson à induction.	<ul style="list-style-type: none"> <li>Un ventilateur de refroidissement intégré à votre table de cuisson à induction s'est mis en marche pour éviter la surchauffe des composants électroniques. Il peut continuer à fonctionner même une fois que la table de cuisson à induction est éteinte.</li> </ul>	<ul style="list-style-type: none"> <li>Ce phénomène est normal et ne nécessite aucune intervention. Ne mettez pas la plaque de cuisson à induction sous tension lorsque le ventilateur fonctionne.</li> </ul>
Certaines ustensiles émettent des bruits de crépitement ou de cliquetis	<ul style="list-style-type: none"> <li>Cela peut être dû à la construction de votre ustensile de cuisine (couches de différents métaux vibrant différemment).</li> </ul>	<ul style="list-style-type: none"> <li>Ce phénomène est normal pour les ustensiles de cuisine et n'indique pas une défaillance.</li> </ul>
Le voyant est allumé, mais le moteur ne fonctionne pas.	<ul style="list-style-type: none"> <li>Les lames sont bloquées.</li> <li>Le condensateur est endommagé.</li> <li>Le moteur est endommagé.</li> <li>Le câblage interne du moteur est coupé / déconnecté. Une odeur désagréable peut se dégager.</li> </ul>	<ul style="list-style-type: none"> <li>Vérifiez les lames</li> <li>Remplacez le condensateur.</li> <li>Remplacez le moteur.</li> <li>Remplacez le moteur.</li> </ul>
Le voyant et le moteur ne fonctionnent pas	<p>Outre les éléments mentionnés ci-dessus, vérifiez les points suivants :</p> <ul style="list-style-type: none"> <li>Le voyant est endommagé</li> <li>Le câble d'alimentation est mal branché.</li> </ul>	<ul style="list-style-type: none"> <li>Remplacez les voyants</li> <li>Connectez les fils selon le schéma électrique.</li> </ul>

## C

## Nettoyage et entretien

Problème	Cause possible	Solution
Fuite d'huile	<ul style="list-style-type: none"><li>• La sortie et l'entrée de la ventilation d'air ne sont pas étanches.</li></ul>	<ul style="list-style-type: none"><li>• Démontez la prise et scellez avec de la colle.</li></ul>
Vibrations	<ul style="list-style-type: none"><li>• La lame, si elle est endommagée, peut provoquer des vibrations.</li><li>• Le moteur n'est pas bien fixé.</li><li>• La hotte n'est pas bien fixée.</li></ul>	<ul style="list-style-type: none"><li>• Remplacez la lame.</li><li>• Fixez fermement le moteur.</li><li>• Fixez fermement la hotte</li></ul>
Aspiration insuffisante	<ul style="list-style-type: none"><li>• La distance entre la hotte et le plan de cuisson est trop importante.</li><li>• La ventilation par les portes ou les fenêtres ouvertes est trop importante.</li></ul>	<ul style="list-style-type: none"><li>• Réajustez la distance.</li><li>• Choisissez un nouvel emplacement pour installer l'appareil ou fermez certaines portes / fenêtres.</li></ul>
L'appareil est incliné	<ul style="list-style-type: none"><li>• Les vis de fixation ne sont pas assez serrées.</li><li>• Les vis de suspension ne sont pas assez serrées</li></ul>	<ul style="list-style-type: none"><li>• Serrez la vis de fixation et mettez-la à l'horizontale.</li><li>• Serrez la vis de suspension et mettez-la à l'horizontale.</li></ul>

## C

## Nettoyage et entretien

## Fonction d'auto-diagnostic

Codes d'erreur	Cause	Solution
01	<ul style="list-style-type: none"> <li>Circuit ouvert du CTN de la surface du four</li> </ul>	<ul style="list-style-type: none"> <li>Remplacez le CTN de la surface du four</li> </ul>
02	<ul style="list-style-type: none"> <li>Court-circuit du CTN sur la surface du four</li> </ul>	<ul style="list-style-type: none"> <li>Remplacez le CTN de la surface du four</li> </ul>
03	<ul style="list-style-type: none"> <li>La température du CTN de la surface du four est trop élevée</li> </ul>	<ul style="list-style-type: none"> <li>Une fois l'erreur d'arrêt signalée, attendez que le refroidissement reprenne son cours normal.</li> </ul>
04	<ul style="list-style-type: none"> <li>Le CTN du dissipateur thermique est ouvert</li> </ul>	<ul style="list-style-type: none"> <li>Remplacez le CTN du dissipateur thermique</li> </ul>
05	<ul style="list-style-type: none"> <li>Le CTN du radiateur est en court-circuit</li> </ul>	<ul style="list-style-type: none"> <li>Remplacez le CTN du radiateur</li> </ul>
06	<ul style="list-style-type: none"> <li>Dissipation de chaleur La température du NTC est trop élevée</li> </ul>	<ul style="list-style-type: none"> <li>Une fois l'erreur d'arrêt signalée, attendez que le refroidissement reprenne son cours normal.</li> </ul>
07	<ul style="list-style-type: none"> <li>Faible tension d'entrée</li> </ul>	<ul style="list-style-type: none"> <li>Vérifiez si la tension d'entrée externe est inférieure à 150 V</li> </ul>
08	<ul style="list-style-type: none"> <li>Haute tension d'entrée</li> </ul>	<ul style="list-style-type: none"> <li>Vérifiez si la tension d'entrée externe est supérieure à 270 V</li> </ul>
09	<ul style="list-style-type: none"> <li>Échec de la communication avec la réception</li> </ul>	<ul style="list-style-type: none"> <li>Vérifiez si la connexion entre le tableau d'affichage et le tableau de la plaque à induction est défectueuse et remplacez le câble de communication.</li> </ul>
10	<ul style="list-style-type: none"> <li>Défaillance du NTC de la surface du four</li> </ul>	<ul style="list-style-type: none"> <li>Vérifiez si le capteur de température de la surface du four est en contact avec la surface du four et s'il y a un contact avec de la colle de verre.</li> </ul>
11	<ul style="list-style-type: none"> <li>Défaillance interne, disque ouvert, absence de signal de synchronisation</li> </ul>	<ul style="list-style-type: none"> <li>Vérifiez si le disque du câble est ouvert et déterminez s'il faut remplacer la bobine du solénoïde.</li> </ul>
12	<ul style="list-style-type: none"> <li>Défaillance du ventilateur</li> </ul>	<ul style="list-style-type: none"> <li>Vérifiez si le module de ventilation est ouvert</li> </ul>



## C

## Nettoyage et entretien

Codes d'erreur	Cause	Solution
13	<ul style="list-style-type: none"> <li>• Sec</li> </ul>	<ul style="list-style-type: none"> <li>• Arrêtez l'appareil et remettez-le en marche</li> </ul>

Défaillance	Problème	Solution A	Solution B
Le voyant ne s'allume pas lorsque l'appareil est branché.	<ul style="list-style-type: none"> <li>• Il n'y a pas de courant.</li> <li>• La carte d'alimentation accessoire et la carte d'affichage sont connectées en panne.</li> <li>• La carte d'alimentation accessoire est endommagée.</li> <li>• Le tableau d'affichage est endommagé.</li> </ul>	<ul style="list-style-type: none"> <li>• Le voyant ne s'allume pas lorsque l'appareil est branché.</li> <li>• Vérifiez la connexion.</li> <li>• Remplacez la carte d'alimentation.</li> <li>• Remplacez la carte d'affichage.</li> </ul>	
Certains boutons ne fonctionnent pas, ou l'affichage LED n'est pas normal.	<ul style="list-style-type: none"> <li>• Le tableau d'affichage est endommagé.</li> </ul>	<ul style="list-style-type: none"> <li>• Remplacez la carte d'affichage.</li> </ul>	
L'indicateur de mode de cuisson s'allume, mais le chauffage ne démarre pas.	<ul style="list-style-type: none"> <li>• Température élevée de la table de cuisson.</li> <li>• Il y a un problème avec le ventilateur.</li> <li>• La carte d'alimentation est endommagée.</li> </ul>	<ul style="list-style-type: none"> <li>• La température ambiante est peut-être trop élevée. L'entrée ou la sortie d'air est peut-être obstruée.</li> <li>• Vérifiez si le ventilateur fonctionne correctement ; si ce n'est pas le cas, remplacez le ventilateur.</li> <li>• Remplacez la carte d'alimentation.</li> </ul>	

## C

## Nettoyage et entretien

Défaillance	Problème	Solution A	Solution B
Le chauffage s'arrête soudainement en cours de fonctionnement et l'écran affiche « u » en clignotant	<ul style="list-style-type: none"> <li>Le type d'ustensile n'est pas correct.</li> <li>Le diamètre de l'ustensile est trop petit.</li> </ul>	<ul style="list-style-type: none"> <li>Utilisez un ustensile de cuisson approprié (reportez-vous au manuel d'instructions).</li> </ul>	<ul style="list-style-type: none"> <li>Le circuit de détection de l'ustensile est endommagé, remplacez la carte d'alimentation.</li> </ul>
	<ul style="list-style-type: none"> <li>Le ciseur a surchauffé ;</li> </ul>	<ul style="list-style-type: none"> <li>L'appareil a surchauffé. Attendez que la température revienne à la normale. Appuyez sur le bouton « MARCHE / ARRÊT » pour redémarrer l'appareil.</li> </ul>	
Les zones de chauffage du même côté (comme la première et la deuxième zone) affichent « u »	<ul style="list-style-type: none"> <li>La carte principale est endommagée.</li> </ul>	<ul style="list-style-type: none"> <li>Remplacez la carte d'alimentation.</li> </ul>	
Le moteur du ventilateur émet un son anormal	<ul style="list-style-type: none"> <li>Le moteur du ventilateur est endommagé.</li> </ul>	<ul style="list-style-type: none"> <li>Remplacez le ventilateur.</li> </ul>	

Il s'agit là de l'évaluation et de l'inspection des pannes les plus courantes. Ne démontez pas l'appareil vous-même afin d'éviter tout danger et tout dommage à la table de cuisson à induction.

# Bedankt!

Proficiat met uw keuze voor een product van VALBERG. De selectie en de testen van de toestellen van VALBERG gebeuren volledig onder controle en supervisie van ELECTRO DEPOT. We staan garant voor de kwaliteit van de toestellen van VALBERG, die uitmunten in hun eenvoudig gebruik, hun betrouwbare werking en hun onberispelijke kwaliteit.

ELECTRO DEPOT beveelt de VALBERG toestellen aan en is ervan overtuigd dat u uiterst tevreden zal zijn bij elk gebruik van het toestel. Welkom bij ELECTRO DEPOT.

Bezoek onze website: [www.electrodepot.be](http://www.electrodepot.be)



74

NL

## Inhoudstafel

### **A** Overzicht van het toestel

Onderdelen

### **B** Gebruik van het toestel

Afmetingen  
Installatie  
In de muur boren en beugels bevestigen  
Elektrisch schema  
Gebruiksaanwijzingen

### **C** Reiniging en onderhoud

Reiniging en onderhoud  
Probleemoplossing

## A

## Overzicht van het toestel

### Productbeschrijving

- Schotelwarmer
- Samenvoeging van twee kookzones
- Individuele kookplattimer
- Automatische uitlaat
- Kinderslot
- Aanraak- en schuifbediening
- Hoog luchtvolume
- Laag geluidsniveau
- Uitschakeling na 1 minuut
- Eenvoudig te reinigen
- Borstelloze DC-motor
- Hoge energie-efficiëntie
- CB CE GS

## Onderdelen

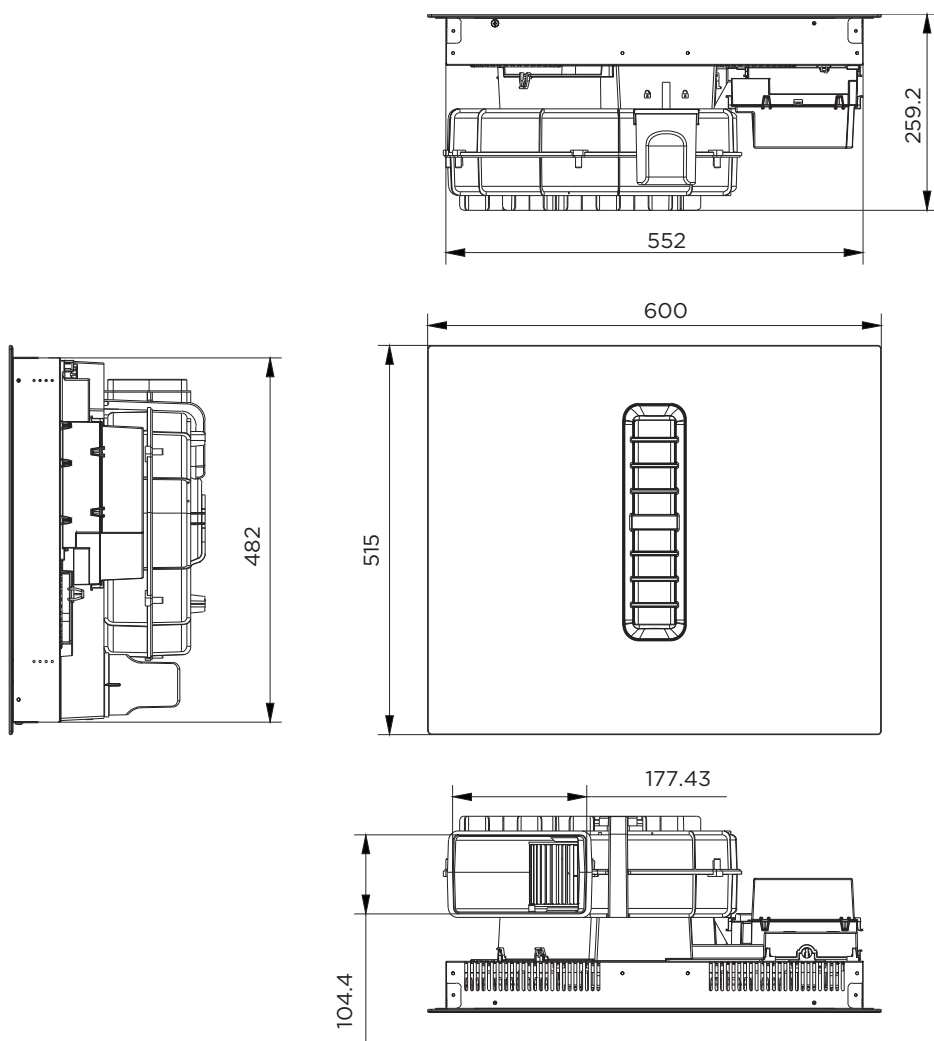
- A** Behuizing
- B** Beker
- C** Rooster
- D** Filter
- E** Directe conversie
- F** 90°conversiekop
- G** Rubberen ring
- H** Sponsstrip
- I** Schroef M4\*10 x 4
- J** Montagebeugel x 4

# B

## Gebruik van het toestel

### Afmetingen

eenheid: mm



## Installatie

### Voordat u de kookplaat installeert, controleer het volgende:

- Het werkoppervlak moet vierkant en vlak zijn en er mogen geen constructiedelen zijn die de nodige ruimte belemmeren.
- Het werkblad moet gemaakt zijn van hittebestendig en geïsoleerd materiaal.
- Als de kookplaat boven een oven is geïnstalleerd, zorg dat de oven een ingebouwde koelventilator heeft.
- De installatie moet voldoet aan alle vereisten voor wat betreft de afstand en van toepassing zijnde normen en voorschriften.
- In de permanente bedrading een geschikte isolatieschakelaar is opgenomen die de netvoeding volledig onderbreekt. Deze schakelaar moet zo worden gemonteerd en geplaatst dat deze voldoet aan de lokale bedravingsregels en -voorschriften.
- De isolatieschakelaar moet van een goedgekeurd type zijn en een luchtopening van 3 mm bieden in alle polen (of in alle actieve (fase)geleiders als de lokale bedravingsregels deze variatie op de vereisten toestaan).
- De isolatieschakelaar is gemakkelijk toegankelijk voor de klant wanneer de kookplaat geïnstalleerd is.
- Raadpleeg de plaatselijke bouwautoriteiten en verordeningen in geval van twijfel over de installatie.
- U gebruikt hittebestendige en gemakkelijk te reinigen afwerkingen (zoals keramische tegels) voor de wandoppervlakken rond de kookplaat.

### Na het installeren van de kookplaat, controleer het volgende

- De stroomkabel is niet toegankelijk via kastdeuren of laden.
- Er is voldoende toevoer van verse lucht van buiten de kast naar de onderkant van de kookplaat. Als de kookplaat boven een lade of kast wordt geïnstalleerd, installeer een thermische bescherming onder de basis van de kookplaat.
- De isolatieschakelaar is gemakkelijk toegankelijk voor de klant.
- Zorg voor een ventilatieopening met een totale oppervlakte van niet minder dan 100 cm<sup>2</sup> aan de onderkant van het fornuis om de circulatie van buitenlucht te behouden, dit kan anders leiden tot ophoping van lekkend gas of explosiegevaar. Als er een LPG-gasfles wordt gebruikt, moet de afstand tussen het fornuis en de gasfles groter zijn dan 100 cm.

**VOORZICHTIG!**

- De inductiekookplaat moet worden geïnstalleerd door gekwalificeerd personeel of technici. Er staan professionals voor u klaar. Voer de installatie nooit alleen uit.
- De kookplaat mag niet direct boven een vaatwasser, koelkast, vriezer, wasmachine of wasdroger worden geïnstalleerd, de vochtigheid kan de elektronica van de kookplaat beschadigen.
- Installeer de inductiekookplaat op een dergelijke manier zodat een goede warmtestraling kan worden gegarandeerd om de betrouwbaarheid te vergroten.
- De wand en de inductieverwarmingszone boven het tafelblad moeten hittebestendig zijn.
- Om beschadiging te voorkomen, moeten de sandwichlaag en de lijm bestand zijn tegen hitte.
- Gebruik geen stoomreiniger.

**De kookplaat op de stroomvoorziening aansluiten****VOORZICHTIG!**

Controleer samen met een elektricien of het bedradingssysteem in uw woning geschikt is zonder aanpassingen te moeten uitvoeren. Aanpassingen mogen alleen worden uitgevoerd door een gekwalificeerde elektricien.

Deze kookplaat mag alleen door een gekwalificeerd persoon op de stroomvoorziening worden aangesloten. Controleer voordat u het toestel op de stroomvoorziening aansluit:

- Het bedradingssysteem in de woning is geschikt voor het vermogen dat door de kookplaat wordt afgenomen.
- De spanning stemt overeen met de waarde op het typeplaatje.
- De dwarsdoorsnede van de stroomkabel is bestand tegen de belasting die is opgegeven op het typeplaatje.

Gebruik voor het aansluiten van de kookplaat op de stroomvoorziening geen adapters, verloopstukken of vertakkingsapparaten, deze kunnen oververhitting en brand veroorzaken.

De stroomkabel mag geen hete onderdelen aanraken en moet zo worden geplaatst dat de temperatuur nergens hoger dan 75°C wordt.

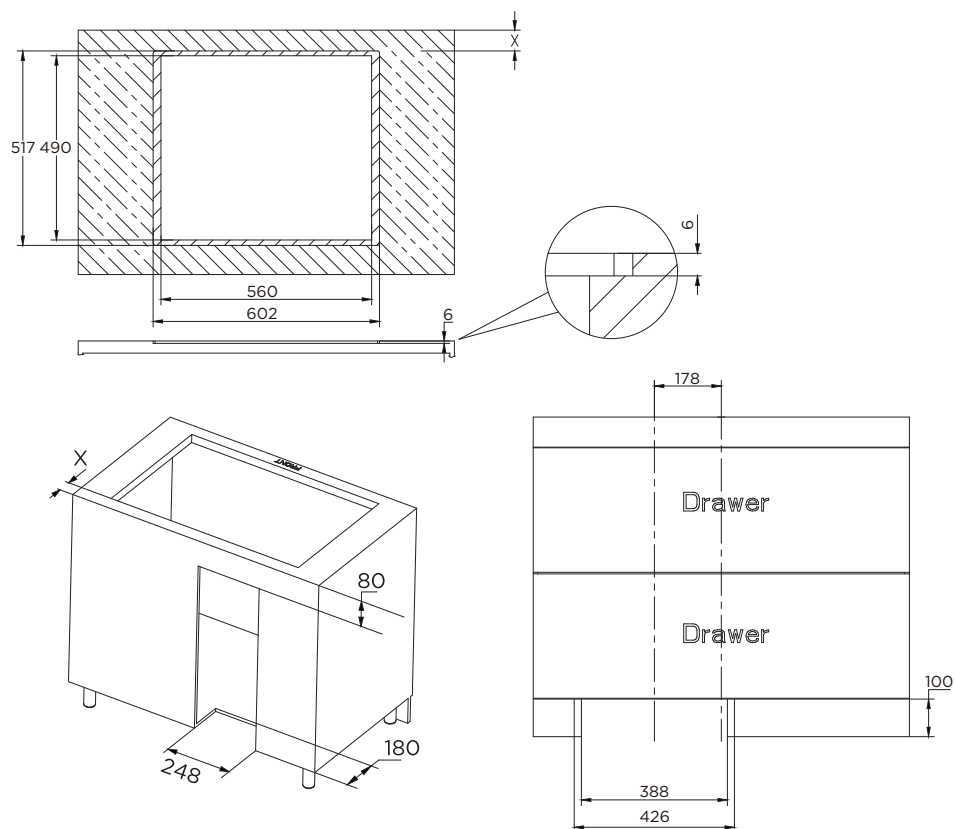


# B

## Gebruik van het toestel

### In de muur boren en beugels bevestigen

INSTALLATIE OP VLAKKE BOVENKANT



Tafelbreedte (Y)	X
600 - 650 mm	54 mm
≥ 650 mm	65 mm

## B

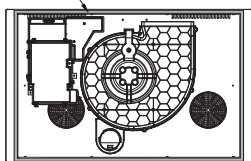
## Gebruik van het toestel



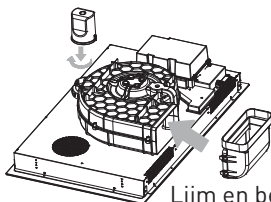
### Interne circulatie

1. Kleef de sponsstrips

Sponsstrip

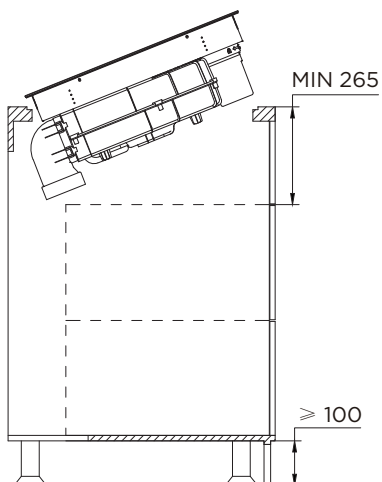


2. Installeer de waterbeker en adapter

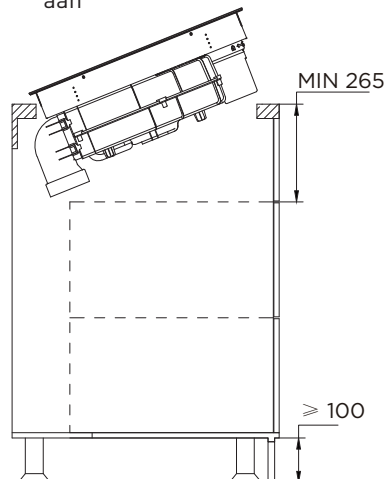


Lijm en bevestig na installatie

Breng het volledig apparaat in de kast aan en pas het product aan

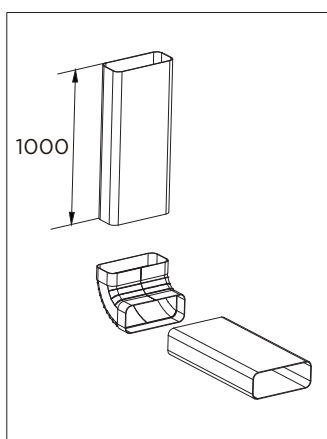
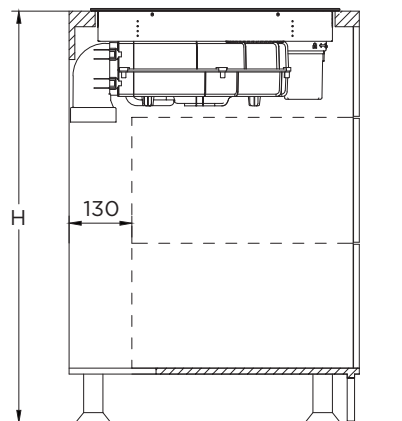
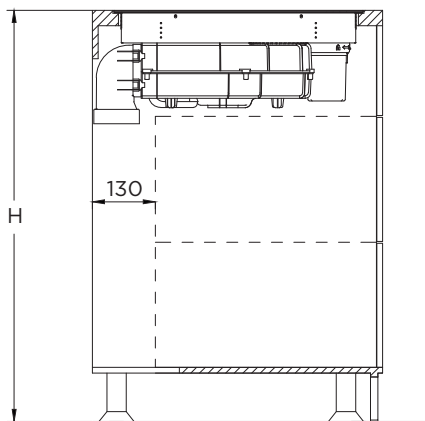


Breng het volledig apparaat in de kast aan en pas het product aan

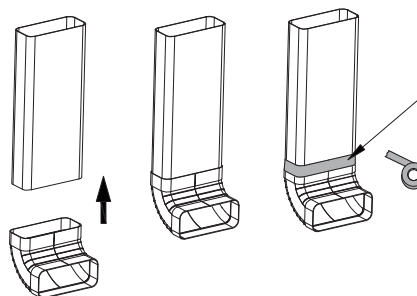
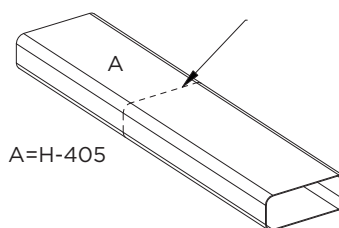


# B

## Gebruik van het toestel

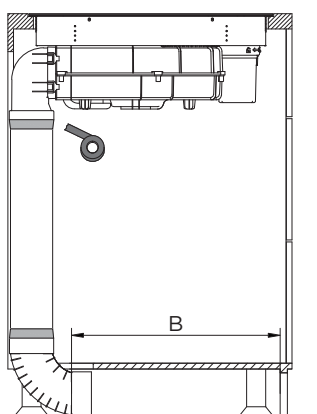
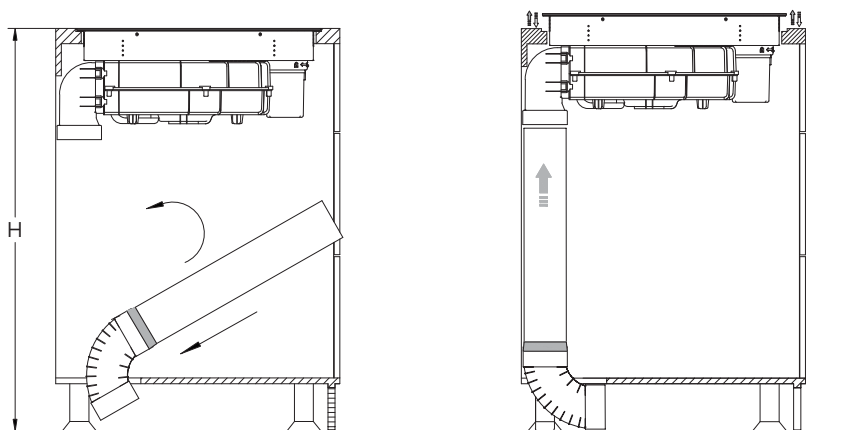


Naber S04024  
Naber S04020

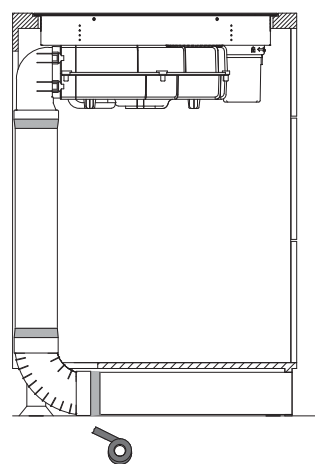
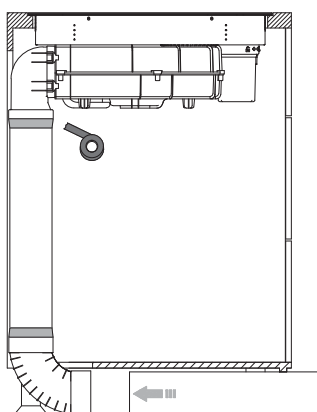
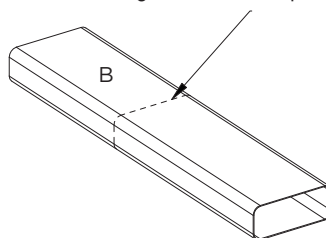


# B

## Gebruik van het toestel



Gebruik een zaag om de buis op de gewenste lengte af te zagen

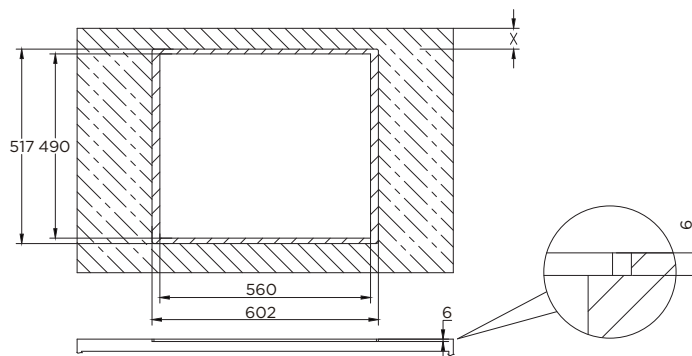


# B

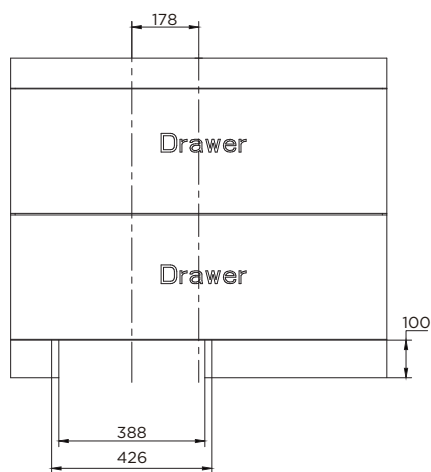
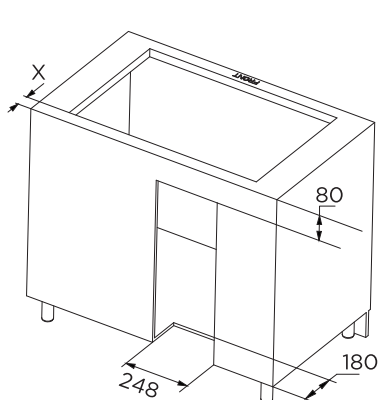
## Gebruik van het toestel

### Afmetingen kastopening

#### INSTALLATIE OP VLAKKE BOVENKANT



Tafelbreedte (Y)	X
600 - 650 mm	54 mm
≥ 650 mm	65 mm



## B

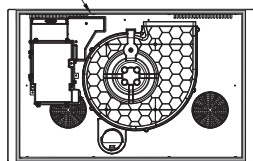
## Gebruik van het toestel



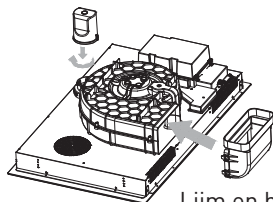
### Externe circulatie

1. Kleef de sponsstrips

Sponsstrip

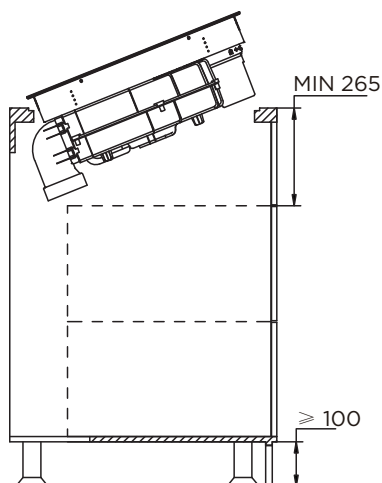


2. Installeer de waterbeker en 90° adapter

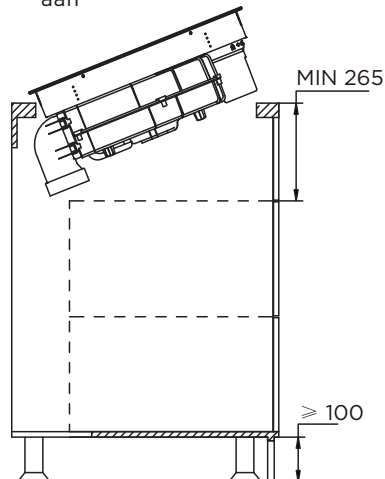


Lijm en bevestig na installatie

Breng het volledig apparaat in de kast aan en pas het product aan

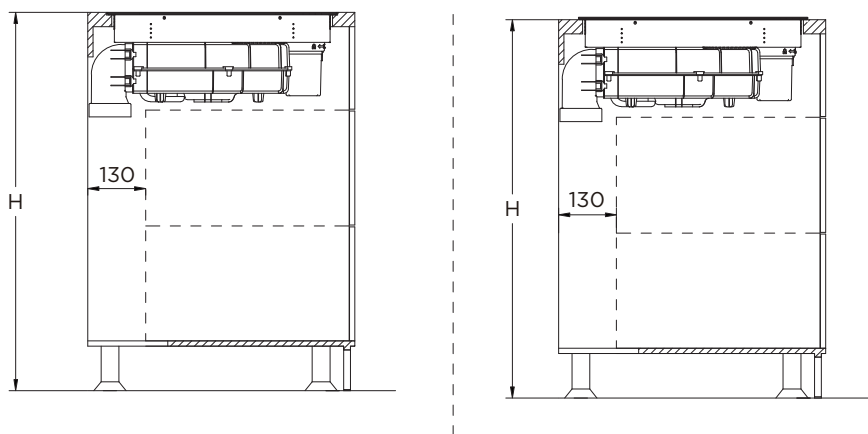


Breng het volledig apparaat in de kast aan en pas het product aan

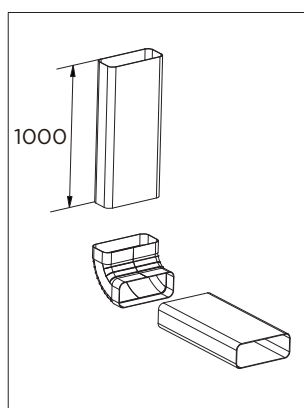


## B

## Gebruik van het toestel



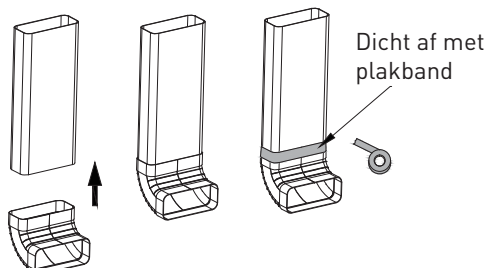
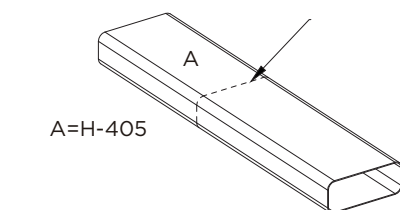
Gebruik een zaag om de buis op de gewenste lengte af te zagen



Naber S04024  
Naber S04020

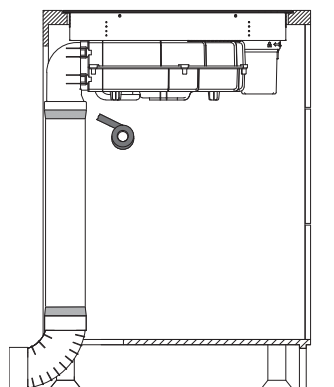
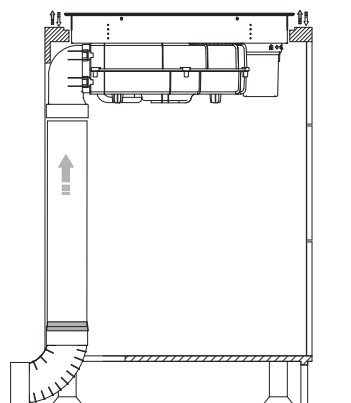
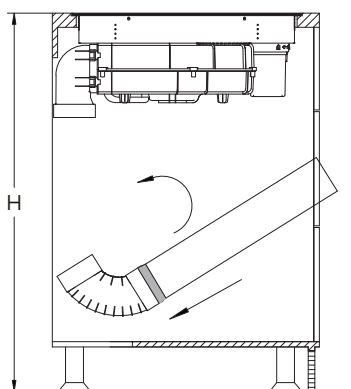


$A = H - 405$

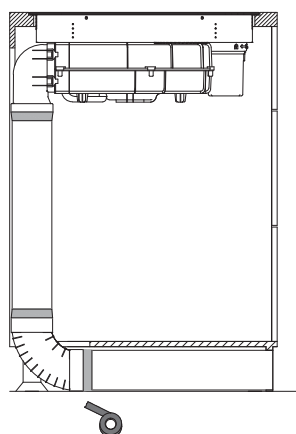
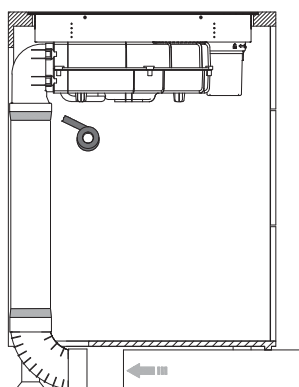
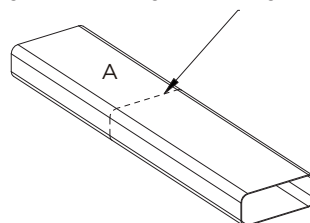


# B

## Gebruik van het toestel



Gebruik een zaag om de buis op de gewenste lengte af te zagen

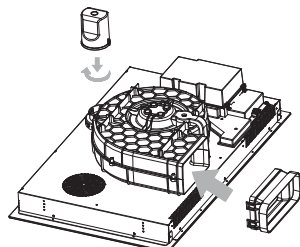




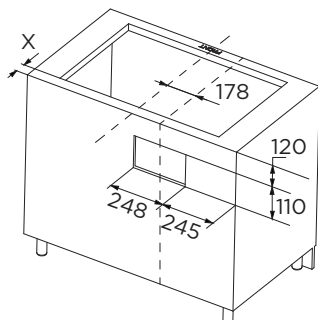
# B

## Gebruik van het toestel

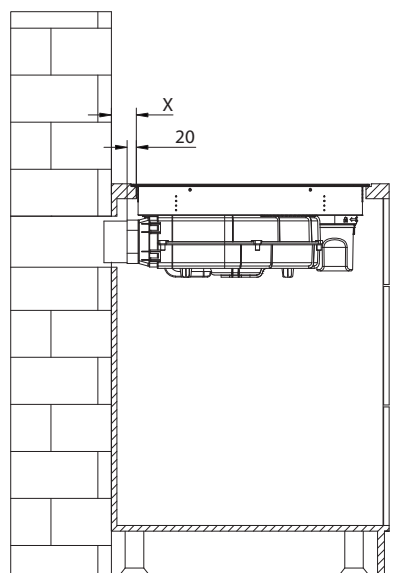
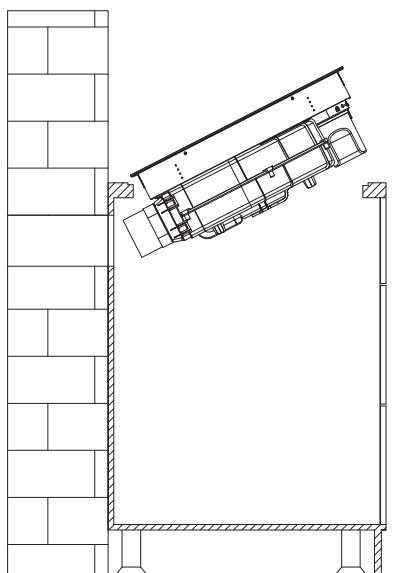
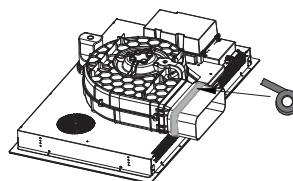
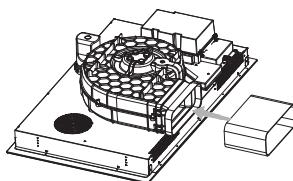
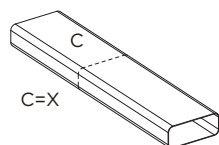
### Schema I: Installatie van waterbeker en rechte adapter



Lijm en bevestig na installatie.



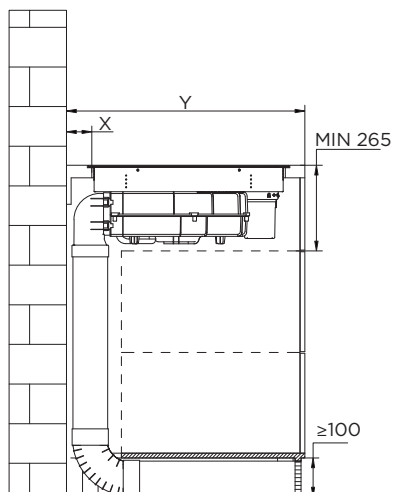
Tafelbreedte (Y)	X
600 - 650 mm	54 mm
≥ 650 mm	65 mm



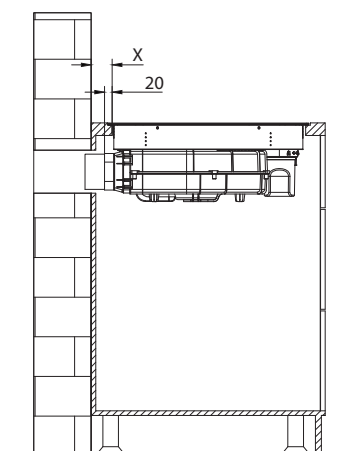
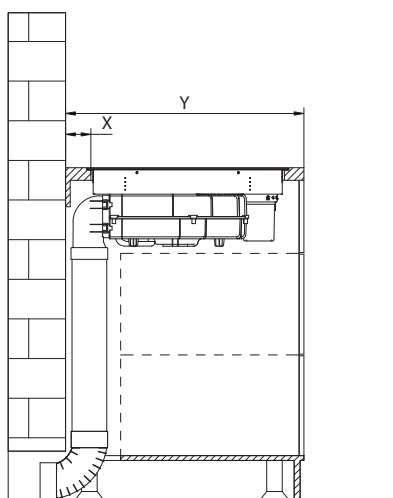
## B

## Gebruik van het toestel

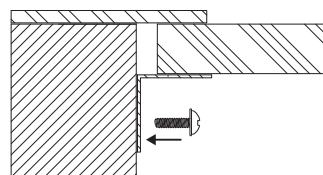
### Interne circulatie



### Externe circulatie



Nadat het product is geïnstalleerd, installeer vier steunen aan weerskanten van het product om te voorkomen dat het product valt.



# B

## Gebruik van het toestel

### Elektrisch schema

	Elektrische aansluiting	Aansluitschema aan de thuiszijde	Snoer
220-240V~			5G 2,5mm <sup>2</sup> H07RN-F L1: BK L2: BN N1: GY N2: BU PE: GN/YE
380-415V~			5G 2,5mm <sup>2</sup> H07RN-F L1: BK L2: BN N1: GY N2: BU PE: GN/YE

L1, L2= Fase, N1, N2= Neutraal, PE= Aarde

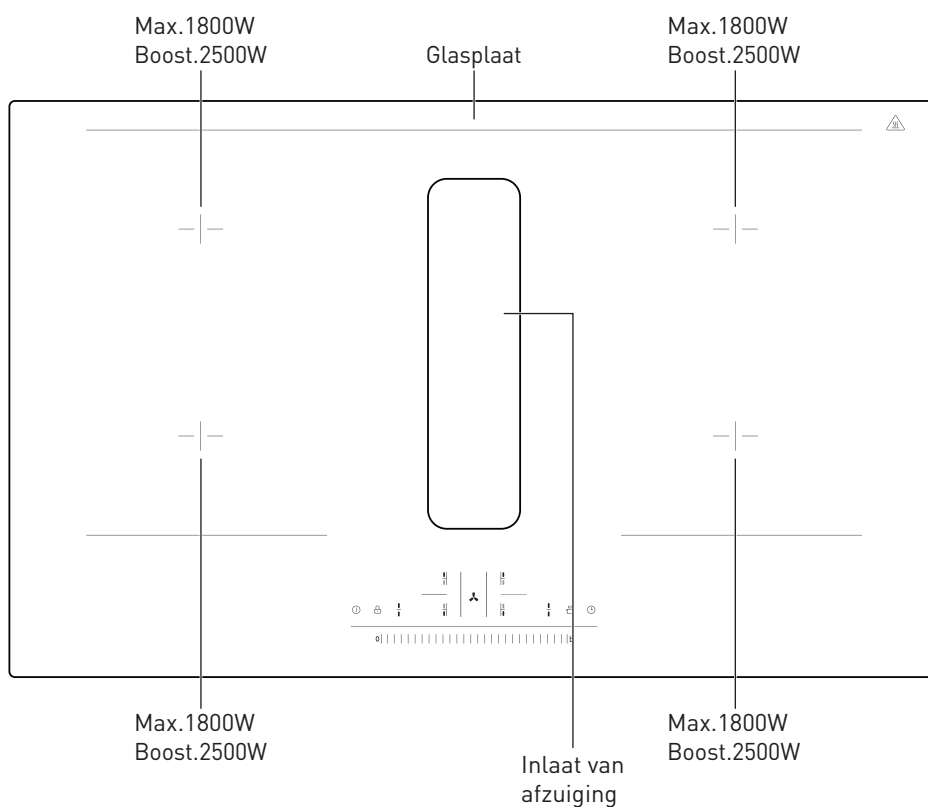
De diameter van de elektrische aansluitdraad moet groter zijn dan 4,0 mm<sup>2</sup>

# B

## Gebruik van het toestel

### Gebruiksaanwijzingen

#### Snelheidsaanpassing. (Voor sommige modellen)



Aan/uit-schakelaar



Kinderslot



Brugging



Keuze van kookzone



Selectie van ventilator



Warmtebehoud



Tijd





Bedieningspaneel

## B

## Gebruik van het toestel

•	Activering-statuslampje		Indicator van ventilator- of kookzonestand
(••)	Weergave van activering van ventilatorkoppeling		Tijdweergave

Knop	Functie	Opmerkingen
• 	Aan/uit-schakelaar	<ul style="list-style-type: none"> <li>• Druk kort om het apparaat in/uit te schakelen.</li> </ul>
• 	Kinderslot	<ul style="list-style-type: none"> <li>• Druk lang op de kinderslotknop om de vergrendelingsmodus te activeren en het kinderslotcontrolelampje gaat aan. Buiten de schakelknop en de knop voor kinderslot kunnen alle andere toetsen niet worden bediend.</li> <li>• Druk opnieuw lang op de knop om de kookplaat te ontgrendelen. Het kinderslotcontrolelampje gaat uit en de andere toetsen kunnen opnieuw worden bediend.</li> </ul>

## B

## Gebruik van het toestel



### Samenvoegen

- Druk kort op de samenvoegingsknop aan de linkerkant, het controlelampje brandt en de linker kookzones worden ingeschakeld.
- De linker kookzones kunnen tegelijkertijd worden bediend om het algemeen vermogen van de kookplaat te verhogen of verlagen. Druk kort op de knop wanneer in werking, om het samenvoegen van de kookzones te annuleren en de linker kookzones uit te schakelen. De linker kookzones kunnen in de samenvoegingsstatus tegelijkertijd worden bediend.
- Druk kort op de samenvoegingsknop aan de rechterkant, het controlelampje brandt en de rechter kookzones worden ingeschakeld. Het vermogen van de twee kookzones aan de rechterkant kunnen in de samenvoegingsmodus tegelijkertijd worden geregeld. Druk kort op de knop wanneer in werking, om het samenvoegen van de kookzones te annuleren en de rechter kookzones uit te schakelen. De rechter kookzones kunnen in de samenvoegingsstatus tegelijkertijd worden bediend.



### Warmtebehoud

- Druk op de warmtebehoudknop om de warmtebehoudstatus te openen. De huidige actieve kookzone werkt op de laagste stand en L verschijnt op het scherm. Wanneer de warmtebehoudknop of een andere knop worden ingedrukt, wordt de warmtebehoudstatus geannuleerd en keert de kookzone terug naar de vorige bedrijfsstatus.
- Het controlelampje brandt wanneer de warmtebehoudstatus is ingeschakeld.

## B

## Gebruik van het toestel



### Tijd

- De werkingstijd van de kookzone kan worden ingesteld tussen 00 en 99min. Druk na het selecteren van de kookzone op de tijdknop om de gewenste werkingstijd voor de kookzone te selecteren.
- De minuten voor de tijd kunnen worden ingesteld in eenheden en tientallen. Stel eerst de tientallen in en vervolgens de eenheden. Tijdens het instellen van de tientallen, verwijder uw vinger gedurende drie seconden van de schuifregelaar of druk opnieuw op de tijdknop om de instelling voor de eenheden te openen.
- Tijdens het instellen van de eenheden, verwijder uw vinger gedurende drie seconden van de schuifregelaar en de aftelstatus wordt geopend. Druk tijdens het instellen nogmaals op de tijdknop om het instellen van de werkingstijd te annuleren. Stel de tijd in door over de schuifregelaar te schuiven.
- De afteltijd vermindert per minuut. Na het verstrijken van de ingestelde tijd gaat de zoemer 6 keer af.



### Kookzone linksboven selectietoets

- De kookzone linksboven wordt geselecteerd voor het instellen van de vermogensstand of de tijd. Het knipperend controlelampje aan de linkerkant geeft aan dat het display het vermogenniveau van de geselecteerde kookzone zal weergeven. U kunt de kookzone vervolgens instellen op een van de 5 vermogensstanden. Na het selecteren van de kookzone, knippert de digitale buis gedurende 3 seconden. Gebruik vervolgens de schuifregelaar om de gewenste vermogensstand in te stellen.



### Kookzone linksonder selectietoets

- De kookzone linksonder wordt geselecteerd voor het instellen van de vermogensstand of de tijd. Het knipperend controlelampje aan de linkerkant geeft aan dat het display het vermogenniveau van de geselecteerde kookzone zal weergeven. U kunt de kookzone vervolgens instellen op een van de 5 vermogensstanden. De digitale buis knippert gedurende 3 seconden en gebruik vervolgens de schuifregelaar om de gewenste vermogensstand in te stellen.

## B

## Gebruik van het toestel



Kookzone rechtsboven  
selectietoets

- De kookzone linksboven wordt geselecteerd voor het instellen van de vermogensstand of de tijd. Het knipperend controlelampje aan de linkerkant geeft aan dat het display het vermogenniveau van de geselecteerde kookzone zal weergeven. U kunt de kookzone vervolgens instellen op een van de 5 vermogensstanden. Na het selecteren van de kookzone, knippert de digitale buis gedurende 3 seconden. Gebruik vervolgens de schuifregelaar om de gewenste vermogensstand in te stellen.



Kookzone rechtsonder  
selectietoets

- De kookzone rechtsonder wordt geselecteerd voor het instellen van de vermogensstand of de tijd. Het knipperend controlelampje aan de rechterkant geeft aan dat het display het vermogenniveau van de geselecteerde kookzone zal weergeven. U kunt de kookzone vervolgens instellen op een van de 5 vermogensstanden. Na het selecteren van de kookzone, knippert de digitale buis gedurende 3 seconden. Gebruik vervolgens de schuifregelaar om de gewenste vermogensstand in te stellen.



Ventilator selectietoets

- Wanneer de ventilator voor de eerste keer wordt ingeschakeld, wordt de koppelingsknop geactiveerd en staat de ventilator in de koppelingsstatus.
- Wanneer de ventilatorsnelheid is ingesteld op stand b, zal het apparaat automatisch na een werking van 5 minuten naar stand 7 gaan. Wanneer de ventilatorsnelheid is ingesteld op stand 8, zal het apparaat automatisch na een werking van 8 minuten naar stand 7 gaan.
- Het scherm op de ventilatorknop geeft de snelheid van de ventilator weer.
- Als u de ventilator selecteert, druk nogmaals op de ventilatorknop en de ventilator en het scherm worden na 1 minuut uitgeschakeld en de digitale buis wordt weergegeven. Druk opnieuw, en de ventilator wordt onmiddellijk uitgeschakeld.



## B

## Gebruik van het toestel

8	Enkele 8 digitale buis	<ol style="list-style-type: none"> <li>1. Toont de vermogensstanden 1-8 van de huidige kookzone;</li> <li>2. "b" geeft het boostniveau van de kookplaat en het boostniveau van de ventilator aan;</li> <li>3. "u" betekent geen pan aanwezig;</li> <li>4. "H" Waarschuwing voor resttemperatuur van kookzone is hoog;</li> <li>5. "0" betekent dat de vermogensafgifte van kookzone is gestopt;</li> <li>6. "E" betekent een defecte ventilator, rookmachine of kookzone;</li> </ol>
88	Dubbele 8 digitale buis	<ol style="list-style-type: none"> <li>1. Tijdweergave, 00 - 99 min;</li> <li>2. Bij een defect wordt de huidige foutcode weergegeven.</li> <li>3. "E" wordt weergegeven wanneer in stand-by.</li> </ol>
.....	Bediening van de schuifregelaar	<ol style="list-style-type: none"> <li>1. Stel de vermogensstand, ventilatorsnelheid en tijd in door de schuifregelaar naar links en rechts te schuiven.</li> <li>2. Bij het uitschakelen van een kookzone of ventilator; wordt achtereenvolgens kookzone 1, kookzone 2, kookzone 3, kookzone 4 en de ventilator gescand en wordt de bediening overgedragen naar de werkende kookzone of ventilator.</li> </ol>

(••)

Weergave activering  
van koppeling

- De koppelingsknop wordt geactiveerd wanneer het product voor de eerste keer wordt ingeschakeld en de vorige status wordt onthouden telkens wanneer het product wordt ingeschakeld.
- Druk 3 sec lang om de koppeling van de ventilator en de kookplaat te annuleren.
- Druk lang op de ventilatorkeuzetoets om de koppeling van de ventilator en de kookplaat te activeren.
  - (1) Verkrijg de maximale vermogenswaarde van de huidige kookzone om het ventilatorvermogen te synchroniseren met het maximaal vermogen van de huidige kookzone. Als het maximale vermogen van de vier kookzones standaard is ingesteld op 8, wordt de ventilator ook ingesteld op 8.
  - (2) De koppeling van de ventilator en de kookplaat heeft een adaptieve functie.
    - Bijvoorbeeld, als de kookzone op vermogensstand 5 werkt en de ventilatorsnelheid wordt handmatig ingesteld op snelheid 6, dan is  $6-5 = 1$ ; als de vermogensstand van de kookzone vervolgens opnieuw handmatig wordt ingesteld op N, dan is de ventilatorsnelheid N+1; Wanneer de ventilator snelheid 9 bereikt, wordt de snelheid van de ventilator niet langer verhoogd.
    - Bijvoorbeeld, als de kookzone op vermogensstand 5 werkt en de ventilatorsnelheid wordt handmatig ingesteld op snelheid 4, dan is  $4-5 = -1$ ; als de vermogensstand van de kookzone vervolgens opnieuw handmatig wordt ingesteld op N, dan is de ventilatorsnelheid n-1; Wanneer de ventilator snelheid 1 bereikt, wordt de snelheid van de ventilator niet langer verlaagd.

**B****Gebruik van het toestel**

1. Vermogenscoördinatie (zorg ervoor dat het uitgangsvermogen niet hoger is dan 3600 W wanneer de twee kookzones aan dezelfde kant gelijktijdig werken).  
Tijdens de huidige aanpassing van het werkingsproces van de inductiekookplaat mag het maximaal vermogen van de twee kookzones aan dezelfde kant niet meer dan 3600 W bedragen. Als het berekend totaal vermogen 3600W overschrijdt tijdens de huidige aanpassing van het werkingsproces, verlaag het vermogen van de niet-gebruikte kookzone aan dezelfde kant om ervoor te zorgen dat het huidig vermogen het door de gebruiker gewenste doelvermogen is en het totaal vermogen 3600W niet overschrijdt.
2. Vermogensaanpassingsfunctie: Druk op twee koppelingstoetsen om de vermogensaanpassingsmodus te openen. Nadat de vermogensaanpassingsmodus is geopend, druk u op de linker samenvoegingstoets om het maximaal vermogen te verlagen en op de rechter samenvoegingstoets om het maximaal vermogen te verhogen. Er zijn 5 vermogensniveaus: 2800W, 3600W, 4600W, 5800W, 7200W. Als het maximaal vermogen binnen 30 seconden niet wordt aangepast of er wordt niet op de aan/uit-knop gedrukt, wordt het systeem uitgeschakeld.
3. Dit product is voorzien van twee modi: energiebesparingsmodus (externe modus) en conventionele modus (interne cyclusmodus). Er is geen boostvermogen in de energiebesparingsmodus en er zijn twee boostvermogens in de conventionele modus. De conventionele modus is de standaardmodus. Houd in stand-by de ventilatorstoets en de kinderslotstoets 2 seconden ingedrukt om de modus te wijzigen. Druk nu op de ventilatorstoets om naar de andere modus te schakelen. 0 geeft de conventionele modus aan en 1 geeft de energiebesparingsmodus aan.

Vermogensverdeling van de kookplaat (Opmerking: Intermitterend: 1000W voor intermitterend)

Snelheid	0	1	2	3	4	5	6	7	8	b
Vermogen (W)	0	100	200	300	800	1200	1400	1600	1800	2500

Vermogensverdeling bij gebruik van de flexibele zone

Snelheid	0	1	2	3	4	5	6	7	8	b
Vermogen (W)	0	100	200	300	800	1000	1200	1400	1600	1800

Vermogensverdeling bij de ventilatorsnelheden

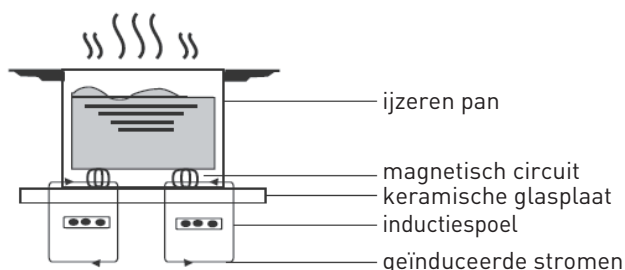
Snelheid	0	1	2	3	4	5	6	7	8	b	
Luchtvolume (m <sup>3</sup> /h)	0	290	310	340	360	380	420	470	540	580	
Werkingsijd (min)				Lange werking					8	5	

## B

## Gebruik van het toestel

### Werkingsprincipe

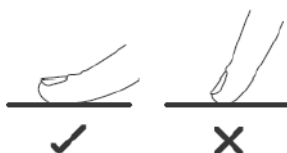
- Inductiekoken is een veilige, geavanceerde, efficiënte en zuinige kooktechnologie. Het werkt door middel van elektromagnetische trillingen die direct warmte in de pan genereren, in plaats van indirect door het glasoppervlak te verhitten. Het glas wordt alleen heet omdat de pan het opwarmt.



### Werking van het product

#### Aanraakbediening

- De bedieningsknoppen reageren op aanraking, u hoeft dus geen druk uit te oefenen.
- Gebruik de bal van uw vinger en niet uw vingertop.
- U hoort een geluidssignaal telkens wanneer een aanraking wordt geregistreerd.
- Zorg ervoor dat de bedieningsknoppen altijd schoon en droog zijn en dat er geen voorwerp (bijv. een keukengerei of een doek) erop ligt. Zelfs een dun laagje water kan de bediening bemoeilijken.



#### Het juiste kookgerei kiezen

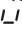


- Gebruik alleen kookgerei met een bodem die geschikt is voor inductiekoken.
  - Zoek naar het inductiesymbool op de verpakking of op de bodem van de pan.
  - De gerechten worden door het apparaat gedetecteerd als ze een diameter hebben van 14 cm of meer.
- U kunt controleren of uw kookgerei geschikt is door een magneettest uit te voeren. Breng een magneet richting de bodem van de pan. Als deze wordt aangetrokken, is de pan geschikt voor inductie.



## B

## Gebruik van het toestel

- Als u geen magneet hebt:
  1. Doe wat water in de pan die u wilt controleren.
  2. Als  niet knippert op het scherm en het water warmt op, dan is de pan geschikt.
- Kookgerei gemaakt van de volgende materialen is niet geschikt: zuiver roestvrij staal, aluminium of koper zonder magnetische bodem, glas, hout, porselein, keramiek en aardewerk.

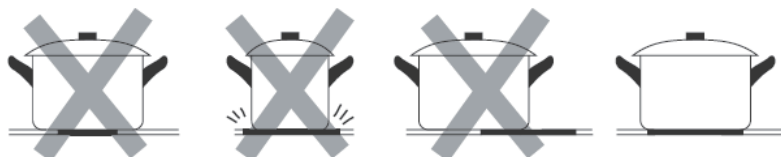
Gebruik geen kookgerei met gekartelde randen of een gebogen bodem



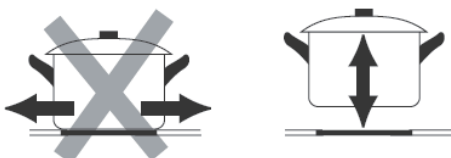
Gebruik geen snelkookpannen om op te warmen.



Zorg ervoor dat de bodem van uw pan glad is, plat tegen het glas zit en even groot is als de kookzone. Gebruik pannen met een diameter die even groot is als de markering van de geselecteerde zone. Wanneer een iets grotere pan wordt gebruikt, wordt de maximale efficiëntie aangewend. Als u een kleinere pan gebruikt, kan de efficiëntie minder zijn dan verwacht. Pannen van minder dan 140 mm kunnen niet door de kookplaat worden gedetecteerd. Plaats uw pan altijd in het midden van de kookzone.



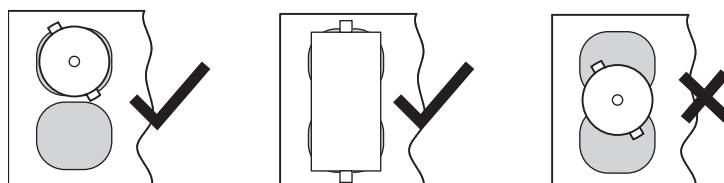
Til pannen altijd van de inductiekookplaat. Schuif ze niet, dit kan leiden tot krassen op het glas.



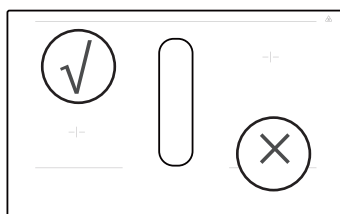
## B

## Gebruik van het toestel

Bekijk de volgende afbeelding voor het plaatsen van de pan wanneer u het product gebruikt. Plaats de pan niet in het midden.



De kookpan moet binnenin de aangegeven markering op het glas worden geplaatst.



### Kookgids



Wees voorzichtig bij het frituren, de olie en het vet worden zeer snel heet, in het bijzonder wanneer u PowerBoost gebruikt. Bij extreem hoge temperaturen zullen olie en vet spontaan ontbranden, dit vormt een ernstig brandgevaar.

### Kooktips

- Verlaag de temperatuurinstelling wanneer het voedsel kookt.
- Het gebruik van een deksel verkort de kooktijd en bespaart energie doordat de warmte wordt vastgehouden.
- Beperk de hoeveelheid vloeistof of vet om de bereidingstijd te verkorten.
- Begin met koken op een hoge stand en zet de stand lager zodra het voedsel is doorverwarmd.

### Suddereren, rijst koken

- Suddereren gebeurt onder het kookpunt, op ongeveer 85°C, wanneer de belLEN net af en toe naar het oppervlak van het kookvocht stijgen. Het is de sleutel tot heerlijke soepen en malse stoofpotten omdat de smaken zich ontwikkelen zonder dat het voedsel te gaar wordt. Het wordt tevens aanbevolen om sauzen op basis van ei en bloem ook onder het kookpunt koken.
- Voor sommige bereidingen, zoals het koken van rijst met de absorptiemethode, kan een instelling hoger dan de laagste nodig zijn om ervoor te zorgen dat het voedsel goed gaar wordt binnen de aanbevolen tijd.

Biefstuk dichtschroeien

Om sappige, smakelijke steaks te bakken:

- Laat het vlees ongeveer 20 minuten op kamertemperatuur staan voordat u het bakt.
- Verhit een koekenpan met een zware bodem.
- Bestrijk weerskanten van de biefstuk met olie. Sprengel een klein beetje olie in de hete pan en leg het vlees in de hete pan.
- Draai de biefstuk tijdens het bakken slechts één keer om. De exacte baktijd hangt af van de dikte van de biefstuk en hoe gaar u hem wilt hebben. De tijden kunnen variëren van ongeveer 2 tot 8 minuten per kant. Druk op de biefstuk om te zien hoe gaar deze is - hoe steviger die aanvoelt, hoe meer "doorbakken" die zal zijn.
- Laat de biefstuk enkele minuten rusten op een warm bord om die te laten ontspannen en mals te laten worden voordat u de biefstuk serveert.

Roerbakken

- Kies een inductiegeschikte wok met een platte bodem of een grote koekenpan.
- Houd alle ingrediënten en keukengerei klaar. Roerbakken moet snel verlopen. Als u grote hoeveelheden bereidt, bereidt het voedsel dan in verschillende kleinere porties.
- Verwarm de pan kort voor en voeg twee eetlepels olie toe.
- Kook eerst het vlees eerst, zet opzij en houd het warm.
- Roerbak dan de groenten. Wanneer ze heet maar nog steeds knapperig zijn, zet de kookzone op een lagere stand, doe het vlees terug in de pan en voeg de saus toe.
- Roer de ingrediënten voorzichtig om ervoor te zorgen dat ze door en door worden verhit.
- Serveer onmiddellijk.

Detectie van kleine artikelen

- Wanneer een pan van een ongeschikte grootte of een niet-magnetische pan (bijv. aluminium) of een ander klein voorwerp (bijv. mes, vork, sleutel) op de kookplaat wordt achtergelaten, wordt de kookplaat na 1 minuut automatisch in stand-by gezet. De ventilator blijft de inductieplaat nog 1 minuut verder afkoelen.

**Warmte-instellingen**

- De onderstaande instellingen zijn slechts richtlijnen. De exacte instelling hangt af van verschillende factoren, zoals uw kookgerei en de hoeveelheid die u kookt. Experimenteer met de inductiekookplaat om de instellingen te vinden die het beste bij u passen.

Warmte-instelling	Geschiktheid
1 - 2	<ul style="list-style-type: none"> <li>• delicate opwarming voor kleine hoeveelheden voedsel</li> <li>• smelten van chocolade, boter en voedsel dat snel verbrandt</li> <li>• zachtjes sudderen</li> <li>• langzaam opwarmen</li> </ul>
3 - 4	<ul style="list-style-type: none"> <li>• opwarmen</li> <li>• snel sudderen</li> <li>• rijst koken</li> </ul>
5 - 6	<ul style="list-style-type: none"> <li>• pannenkoeken</li> </ul>

**B****Gebruik van het toestel****7 - 8**

- sauteren
- pasta koken

**b**

- roerbakken
- dichtschroeien
- soep aan de kook brengen
- water koken



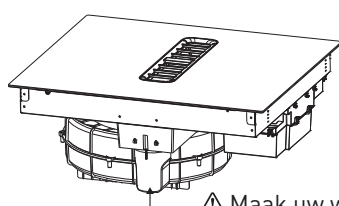
## C

## Reiniging en onderhoud

### Reiniging en onderhoud

#### Reiniging van het glasoppervlak, dagelijkse onderhoudsreiniging

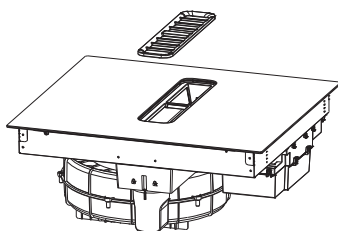
- Als u een doek gebruikt om schoon te maken, vermijd dat er water in het rooster terecht komt.



⚠ Maak uw waterbeker regelmatig schoon.

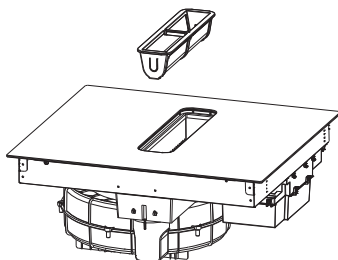
#### Reinig het rooster en voer regelmatig onderhoud uit

- Neem het rooster af, maak het voorzichtig schoon en plaats het terug.



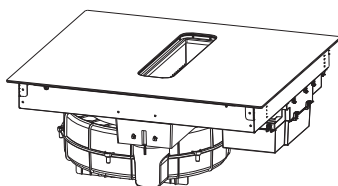
#### Filterzeef reinigen, dagelijkse onderhoudsreiniging

- Haal de filterbeugel horizontaal uit, verwijder het filter uit de beugel en was het in de vaatwasser of reinig het filter handmatig. Het restwater van de filterbeugel wordt horizontaal afgevoerd en in het waterkanaal geloosd.



**Waterbeker reinigen, dagelijkse onderhoudsreiniging**

- Draai de waterbeker eruit, voer het afvalwater af en plaats de beker terug.

**Probleemoplossing**

Probleem	Mogelijke oorzaak	Oplossing
De inductiekookplaat kan niet worden ingeschakeld	<ul style="list-style-type: none"> <li>• Geen vermogen.</li> </ul>	<ul style="list-style-type: none"> <li>• Zorg ervoor dat de inductiekookplaat op de voeding is aangesloten en dat deze is ingeschakeld.</li> <li>• Controleer of er een stroomstoring is in uw woning of omgeving. Wanneer u alles hebt gecontroleerd en het probleem blijft bestaan, bel dan een gekwalificeerde technicus.</li> </ul>
De aanraakbediening reageert niet	<ul style="list-style-type: none"> <li>• De bedieningselementen zijn vergrendeld.</li> </ul>	<ul style="list-style-type: none"> <li>• Ontgrendel de bedieningselementen. Zie de sectie "Uw inductiekookplaat gebruiken" voor de instructies.</li> </ul>
De aanraakbediening is moeilijk te bedienen	<ul style="list-style-type: none"> <li>• Er kan een dun laagje water op de bedieningselementen liggen of u gebruikt uw vingertop bij het aanraken van de bedieningselementen.</li> </ul>	<ul style="list-style-type: none"> <li>• Zorg ervoor dat gebied met de aanraakbediening droog is en gebruik de bal van uw vinger om de bedieningselementen aan te raken.</li> </ul>

Probleem	Mogelijke oorzaak	Oplossing
Het glas wordt bekrast	<ul style="list-style-type: none"> <li>• Kookgerei met ruwe randen.</li> <li>• Er worden ongeschikte schuurspons of schuurmiddelen gebruikt.</li> </ul>	<ul style="list-style-type: none"> <li>• Gebruik kookgerei met een platte en gladde bodem. Zie "Het juiste kookgerei kiezen".</li> <li>• Zie "Onderhoud en reiniging".</li> </ul>
De inductiekookplaat of een kookzone heeft zichzelf onverwacht uitgeschakeld, er klinkt een geluidssignaal en er wordt een foutcode weergegeven (meestal afgewisseld met één of twee cijfers op het display van de kookwekker).	<ul style="list-style-type: none"> <li>• Technische fout.</li> </ul>	<ul style="list-style-type: none"> <li>• Noteer de foutletters en -nummers, schakel de stroom naar de inductiekookplaat uit en neem contact op met een gekwalificeerde technicus.</li> </ul>
De inductiekookplaat maakt een laag zoemend geluid bij gebruik op een hoge warmtestand	<ul style="list-style-type: none"> <li>• Dit wordt veroorzaakt door de technologie van het inductiekoken.</li> </ul>	<ul style="list-style-type: none"> <li>• Dit is normaal, maar het geluid moet afnemen of helemaal verdwijnen wanneer u de warmtestand verlaagt.</li> </ul>
Pannen worden niet heet en "U" verschijnt op het display.	<ul style="list-style-type: none"> <li>• De inductiekookplaat kan de pan niet detecteren omdat deze niet geschikt is voor inductiekoken.</li> <li>• De inductiekookplaat kan de pan niet detecteren omdat deze te klein is voor de kookzone of er niet goed op gecentreerd is.</li> </ul>	<ul style="list-style-type: none"> <li>• Gebruik kookgerei dat geschikt is voor inductiekoken. Zie de sectie "Het juiste kookgerei kiezen".</li> <li>• Centreer de pan en zorg ervoor dat de bodem overeenkomt met de grootte van de kookzone.</li> </ul>

## C

## Reiniging en onderhoud

Probleem	Mogelijke oorzaak	Oplossing
Geluid van ventilator afkomstig van de inductiekookplaat.	<ul style="list-style-type: none"> <li>Er is een koelventilator ingebouwd in uw inductiekookplaat om oververhitting van de elektronica te voorkomen. Deze kan blijven draaien, zelfs nadat u de inductiekookplaat hebt uitgeschakeld.</li> </ul>	<ul style="list-style-type: none"> <li>Dit is normaal en vereist geen actie. Schakel de stroom naar de inductiekookplaat niet uit terwijl de ventilator draait.</li> </ul>
Sommige pannen maken knisperende of klinkende geluiden	<ul style="list-style-type: none"> <li>Dit kan worden veroorzaakt door de constructie van uw kookgerei (lagen van verschillende metalen die op een verschillende manier trillen).</li> </ul>	<ul style="list-style-type: none"> <li>Dit is normaal voor kookgerei en duidt niet op een fout.</li> </ul>
Licht brandt, maar motor werkt niet	<ul style="list-style-type: none"> <li>De bladen zijn geblokkeerd.</li> <li>De condensator is beschadigd.</li> <li>De motor is beschadigd.</li> <li>De interne bedrading van de motor is doorgeknipt/ losgekoppeld. Er kan een onaangename geur vrijkomen.</li> </ul>	<ul style="list-style-type: none"> <li>Controleer de bladen</li> <li>Vervang de condensator.</li> <li>Vervang de motor.</li> <li>Vervang de motor.</li> </ul>
Zowel het licht als de motor werken niet	<p>Controleer naast het bovenstaande ook het volgende:</p> <ul style="list-style-type: none"> <li>Licht is beschadigd.</li> <li>Netsnoer zit los.</li> </ul>	<ul style="list-style-type: none"> <li>Vervang de verlichting.</li> <li>Sluit de draden aan volgens het elektrische schema.</li> </ul>
Olielekkage	<ul style="list-style-type: none"> <li>Uitlaat en luchtventilatie-ingang zijn niet goed afgedicht.</li> </ul>	<ul style="list-style-type: none"> <li>Maak de uitlaat los en verzegel deze met lijm.</li> </ul>

## C

## Reiniging en onderhoud

Probleem	Mogelijke oorzaak	Oplossing
Trilling	<ul style="list-style-type: none"> <li>Als het blad beschadigd is, kan het gaan trillen.</li> <li>De motor zit niet goed vast.</li> <li>De afzuiging is niet stevig vastgemaakt.</li> </ul>	<ul style="list-style-type: none"> <li>Vervang het mes.</li> <li>Zet de motor goed vast.</li> <li>Zet de afzuiging goed vast.</li> </ul>
Onvoldoende afzuiging	<ul style="list-style-type: none"> <li>De afstand tussen de afzuiging en de kookplaat is te groot.</li> <li>Te veel ventilatie door open deuren of ramen.</li> </ul>	<ul style="list-style-type: none"> <li>Pas de afstand aan.</li> <li>Kies een nieuwe plaats om het apparaat te installeren of sluit enkele deuren/ramen.</li> </ul>
Het apparaat helt over	<ul style="list-style-type: none"> <li>De bevestigingsschroeven zijn niet stevig vastgemaakt.</li> <li>De ophangschroeven zijn niet stevig vastgedraaid</li> </ul>	<ul style="list-style-type: none"> <li>Draai de bevestigingsschroeven vast en zorg dat het apparaat horizontaal is.</li> <li>Draai de ophangschroeven vast en zorg dat het apparaat horizontaal is.</li> </ul>

## Zelfdiagnosefunctie

De foutcode	Reden	Oplossing
01	<ul style="list-style-type: none"> <li>Kookzone-oppervlak NTC open circuit</li> </ul>	<ul style="list-style-type: none"> <li>Vervang de NTC van het kookzone-oppervlak</li> </ul>
02	<ul style="list-style-type: none"> <li>NTC-kortsluiting op kookzone-oppervlak</li> </ul>	<ul style="list-style-type: none"> <li>Vervang de NTC van het kookzone-oppervlak</li> </ul>
03	<ul style="list-style-type: none"> <li>De NTC-temperatuur van het kookzone-oppervlak is te hoog</li> </ul>	<ul style="list-style-type: none"> <li>Nadat de uitschakelfout is gemeld, wacht totdat de koeling weer normaal werkt.</li> </ul>
04	<ul style="list-style-type: none"> <li>De warmteafvoer NTC is open</li> </ul>	<ul style="list-style-type: none"> <li>Vervang de warmteafvoer NTC</li> </ul>
05	<ul style="list-style-type: none"> <li>De radiator NTC is kortgesloten</li> </ul>	<ul style="list-style-type: none"> <li>Vervang de warmteafvoer NTC</li> </ul>
06	<ul style="list-style-type: none"> <li>Warmteafvoer De NTC temperatuur is te hoog.</li> </ul>	<ul style="list-style-type: none"> <li>Nadat de uitschakelfout is gemeld, wacht totdat de koeling weer normaal werkt.</li> </ul>
07	<ul style="list-style-type: none"> <li>Lage ingangsspanning</li> </ul>	<ul style="list-style-type: none"> <li>Controleer of de externe ingangsspanning lager is dan 150V</li> </ul>

## C

## Reiniging en onderhoud

De foutcode	Reden	Oplossing
08	<ul style="list-style-type: none"> <li>Hoge ingangsspanning</li> </ul>	<ul style="list-style-type: none"> <li>Controleer of de externe ingangsspanning hoger is dan 270V</li> </ul>
09	<ul style="list-style-type: none"> <li>Communicatiestoring bij ontvangst</li> </ul>	<ul style="list-style-type: none"> <li>Controleer of de verbinding tussen het displaybord en de inductiekookplaat verstoord is en vervang de communicatiekabel.</li> </ul>
10	<ul style="list-style-type: none"> <li>Kookzone-oppervlak NTC storing</li> </ul>	<ul style="list-style-type: none"> <li>Controleer of de temperatuursensor van het kookzone-oppervlak contact maakt met het kookzone-oppervlak en of er contact is met de glaslijm.</li> </ul>
11	<ul style="list-style-type: none"> <li>Interne fout, open schijf, geen synchronisatiesignaal</li> </ul>	<ul style="list-style-type: none"> <li>Controleer of de kabelschijf open is en ga na of de magneetspoel moet worden vervangen.</li> </ul>
12	<ul style="list-style-type: none"> <li>Fout bij ventilator</li> </ul>	<ul style="list-style-type: none"> <li>Controleer of de ventilatormodule open is</li> </ul>
13	<ul style="list-style-type: none"> <li>Drogen</li> </ul>	<ul style="list-style-type: none"> <li>Afsluiten en opnieuw uitvoeren</li> </ul>

Storing	Probleem	Oplossing A	Oplossing B
De LED brandt niet wanneer het apparaat op de voeding is aangesloten	<ul style="list-style-type: none"> <li>Geen voeding.</li> <li>Het aanvullende voedingsbord en het displaybord zijn niet aangesloten.</li> <li>Het aanvullende voedingsbord is beschadigd.</li> <li>Het displaybord is beschadigd.</li> </ul>	<ul style="list-style-type: none"> <li>De LED brandt niet wanneer het apparaat op de voeding is aangesloten.</li> <li>Controleer de verbinding.</li> <li>Vervang het aanvullende voedingsbord.</li> <li>Vervang het displaybord.</li> </ul>	
Sommige knoppen werken niet of de LED-weergave is niet normaal.	<ul style="list-style-type: none"> <li>Het displaybord is beschadigd.</li> </ul>	<ul style="list-style-type: none"> <li>Vervang het displaybord.</li> </ul>	

## C

## Reiniging en onderhoud

Storing	Probleem	Oplossing A	Oplossing B
Het kookmodus- controlelampje brandt, maar de verwarming wordt niet ingeschakeld.	<ul style="list-style-type: none"> <li>• Hoge temperatuur van de kookplaat</li> <li>• Er is iets mis met de ventilator.</li> <li>• Het voedingsbord is beschadigd.</li> </ul>	<ul style="list-style-type: none"> <li>• Omgevingstemperatuur kan te hoog zijn. De luchtinlaat of luchtventilatie kan geblokkeerd zijn.</li> <li>• Controleer of de ventilator draait zoals het hoort; als dit niet het geval is, vervang de ventilator.</li> <li>• Vervang het voedingsbord.</li> </ul>	
De verwarming stopt plotseling tijdens de werking en op het display geeft "u" al knipperend weer.	<ul style="list-style-type: none"> <li>• Verkeerd type van pan.</li> <li>• De diameter van de pan is te klein.</li> </ul>	<ul style="list-style-type: none"> <li>• Gebruik de juiste pan (raadpleeg de gebruiksaanwijzing).</li> </ul>	<ul style="list-style-type: none"> <li>• Het pandetectiecircuit is beschadigd, vervang het voedingsbord.</li> </ul>
Verwarmingszones aan dezelfde kant (bijv. de eerste en de tweede zone) geven "u" weer.	<ul style="list-style-type: none"> <li>• Kookplaat is oververhit;</li> </ul>	<ul style="list-style-type: none"> <li>• Apparaat is oververhit. Wacht totdat de temperatuur weer normaal is. Druk op de "AAN/UIT" knop om het apparaat opnieuw in te schakelen.</li> </ul>	
Ventilatormotor klinkt niet zoals het hoort	<ul style="list-style-type: none"> <li>• Het moederbord is beschadigd.</li> </ul>	<ul style="list-style-type: none"> <li>• Vervang het voedingsbord.</li> </ul>	
	<ul style="list-style-type: none"> <li>• De ventilatormotor is beschadigd.</li> </ul>	<ul style="list-style-type: none"> <li>• Vervang de lamp.</li> </ul>	

Het bovenstaande is de beoordeling en inspectie van veelvoorkomende storingen. Haal het apparaat niet zelf uit elkaar om gevaar en schade aan de inductiekookplaat te voorkomen.

# ¡Muchas gracias!

Muchas gracias por haber elegido nuestro producto VALBERG. Seleccionados, testados y recomendados por ELECTRO DEPOT, los productos de la marca VALBERG le aseguran una utilización sencilla, un rendimiento fiable y una calidad incuestionable.

Con este dispositivo puede estar seguro de que siempre quedará satisfecho al utilizarlo. Le damos la bienvenida a ELECTRO DEPOT.

Visite nuestra página web: [www.electrodepot.es](http://www.electrodepot.es)



112

ES



# Índice

## **A** Descripción del aparato

Partes

## **B** Utilización del aparato

Dimensiones  
Instalación  
Taladrado de la pared y fijación del soporte  
Esquema eléctrico  
Instrucciones de uso

## **C** Limpieza y mantenimiento

Limpieza y mantenimiento  
Solución de problemas

## A

## Descripción del aparato

### Descripción del producto

- Calientaplatos
- Puente dual
- Temporizador de placa individual
- Extracción automática
- Bloqueo para niños
- Control deslizante y táctil
- Gran volumen de aire
- Bajo nivel de ruido
- Apagado con retardo de 1 minuto
- Fácil de limpiar
- Motor de CC sin escobillas
- Alta eficiencia energética
- CB CE GS

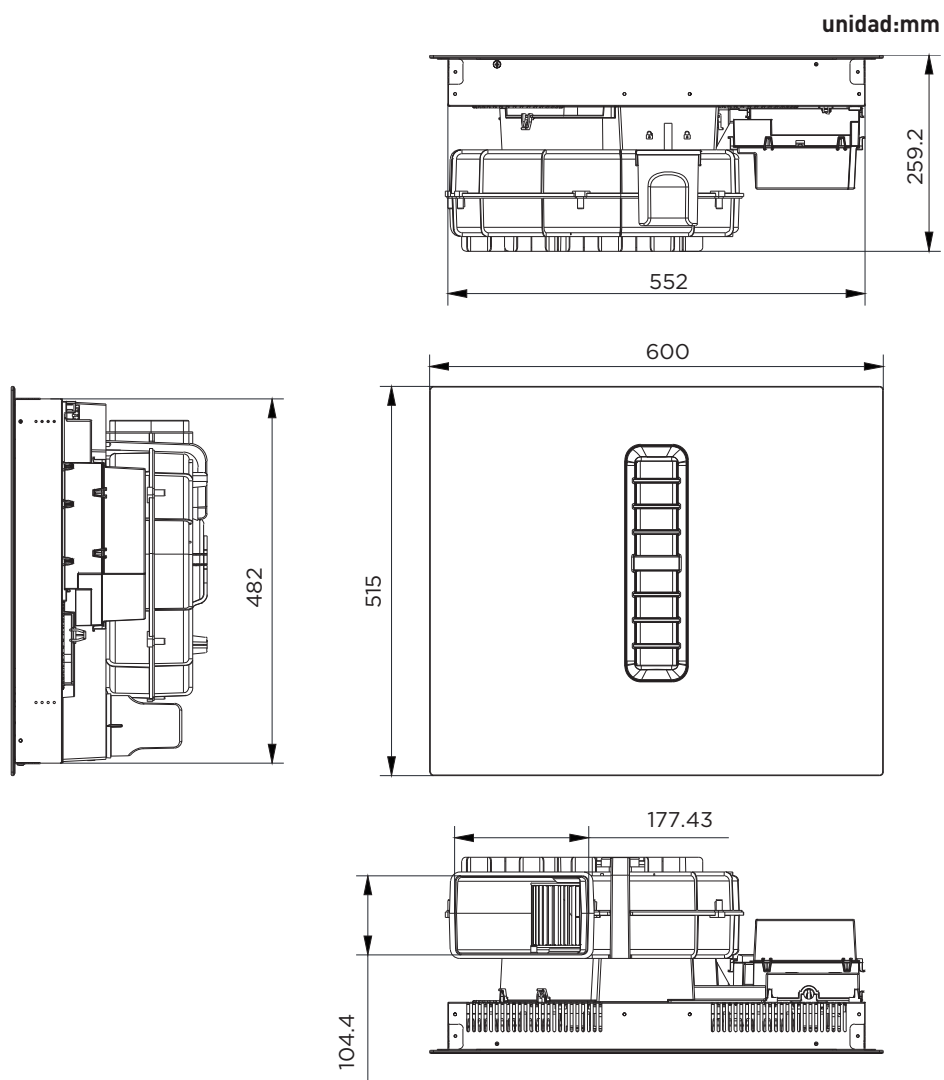
## Partes

- A** Cuerpo principal
- B** Vaso
- C** Rejilla
- D** Filtro
- E** Conversión directa
- F** Cabezal de conversión de 90°
- G** Anillo de goma
- H** Tira de esponja
- I** Tornillo M4\*10 x 4
- J** Soporte de montaje x 4

# B

## Utilización del aparato

### Dimensiones



## Instalación

### Antes de instalar la placa de cocción, asegúrese de que:

- La superficie de trabajo es cuadrada y nivelada, y ningún elemento estructural hace que se incumplan los requisitos de espacio.
- La superficie de trabajo es de un material resistente al calor y aislante.
- Si la placa de cocción se instala sobre un horno, este deberá tener integrado un ventilador de refrigeración.
- La instalación deberá cumplir todos los requisitos de espacio y las normas y reglamentos aplicables.
- En el cableado permanente hay integrado un interruptor de aislamiento adecuado que permite la desconexión total de la red eléctrica, y este está montado y colocado de acuerdo con las normas y reglamentos locales sobre cableado.
- El interruptor de aislamiento deberá ser de un tipo autorizado y proporcionar una separación de contacto de 3 mm en todos los polos (o en todos los conductores activos [de fase] si las normas locales sobre cableado permiten esta variación de los requisitos).
- El cliente deberá poder acceder fácilmente al interruptor de aislamiento con la placa de cocción instalada.
- En caso de duda sobre la instalación, consulte a las autoridades y ordenanzas locales de construcción.
- Utiliza acabados resistentes al calor y fáciles de limpiar (como azulejos de cerámica) para las superficies de las paredes que rodean la placa de cocción.

### Después de instalar la placa de cocción, asegúrese de que:

- El cable de alimentación no es accesible a través de puertas de armarios o cajones.
- Hay un flujo adecuado de aire fresco desde el exterior del armario hasta la base de la placa de cocción. Si la placa de cocción se instala sobre un cajón o armario, se deberá instalar una barrera de protección térmica debajo de la base de la placa.
- El cliente deberá poder acceder fácilmente al interruptor de aislamiento.
- Colóquese en la parte inferior de la placa de cocción y establezca un espacio para la ventilación con una superficie total que no sea inferior a 100 cm<sup>2</sup> para mantener la circulación del aire exterior; de lo contrario, provocará la acumulación de fugas de gas y causará explosiones. Si se utiliza una bombona de gas licuado de petróleo, la distancia entre la placa de cocción y la bombona de gas deberá ser superior a 100 cm.

## B

## Utilización del aparato



### ¡PRECAUCIÓN!

- La placa de inducción deberá instalarla personal o técnicos cualificados. Tenemos profesionales a su servicio. No realice nunca esta operación por su cuenta.
- La placa de cocción no deberá instalarse directamente sobre un lavavajillas, frigorífico, congelador, lavadora o secadora, ya que la humedad podría dañar los componentes electrónicos de la placa.
- La placa de inducción deberá instalarse de forma que se garantice una mejor radiación del calor para aumentar su fiabilidad.
- La pared y la zona de calentamiento inducido por encima de la superficie de la encimera deberán soportar el calor.
- Para evitar cualquier daño, la capa intermedia y el adhesivo deberán ser resistentes al calor.
- No se deberá utilizar un limpiador de vapor.

### Conexión de la placa de cocción a la corriente eléctrica



### ¡PRECAUCIÓN!

Confirme con un electricista si el sistema de cableado de su vivienda es adecuado sin modificaciones. Cualquier modificación deberá realizarla únicamente un electricista cualificado.

Esta placa de cocción solo deberá conectarla a la red eléctrica un técnico debidamente cualificado. Antes de conectar la placa de cocción a la corriente eléctrica, compruebe que:

- El sistema de cableado de la vivienda es adecuado para la alimentación que consume la placa de cocción.
- La tensión coincide con el valor indicado en la placa de especificaciones.
- Las secciones del cable de alimentación pueden soportar la carga especificada en la placa de especificaciones.

Para conectar la placa de cocción a la red eléctrica, no utilice adaptadores, reductores ni dispositivos de derivación, ya que pueden provocar sobrecalentamientos e incendios.

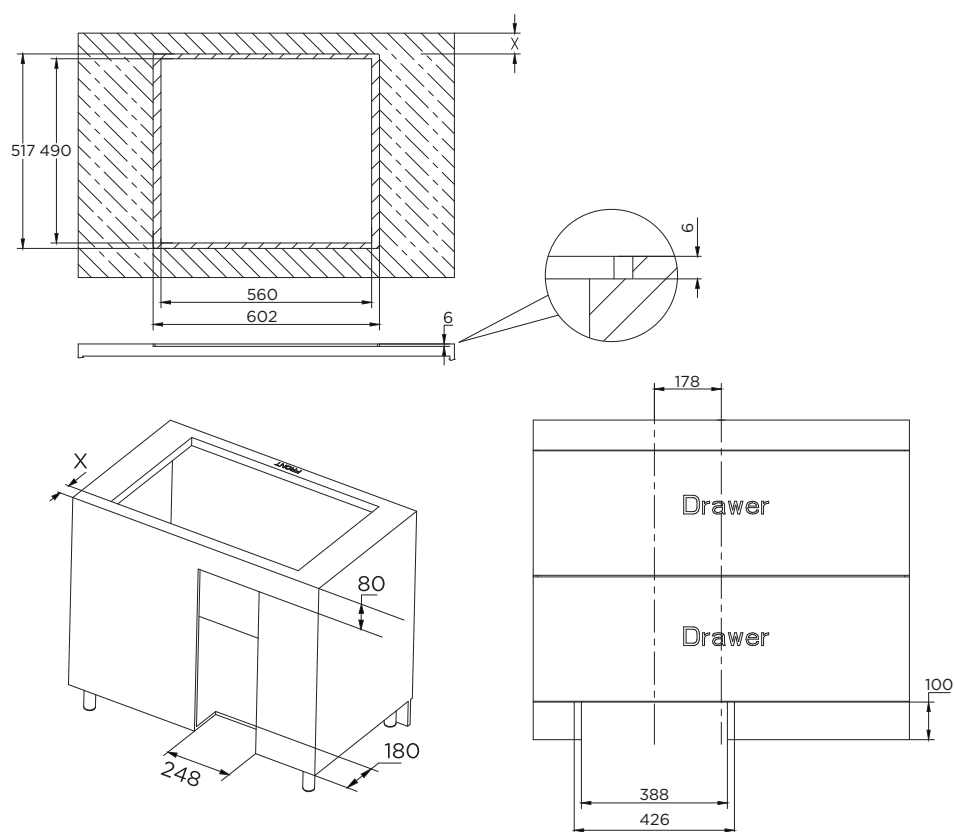
El cable de alimentación no deberá entrar en contacto con ninguna pieza caliente y deberá colocarse de forma que su temperatura no supere los 75 °C en ningún punto.

# B

## Utilización del aparato

### Taladrado de la pared y fijación del soporte

INSTALACIÓN SOBRE ENCIMERA



Anchura de la encimera (Y)	X
600-650 mm	54 mm
≥ 650 mm	65 mm

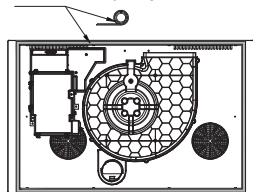
## B

## Utilización del aparato

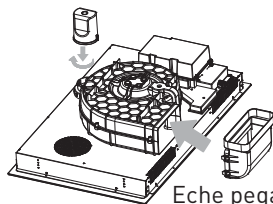
### Circulación interna

1. Tiras de esponja adhesivas

Tira de esponja

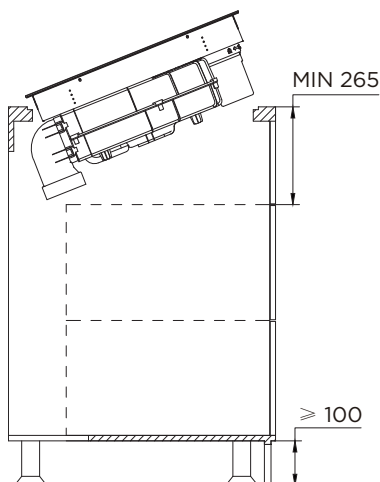


2. Instale el vaso para agua y el adaptador

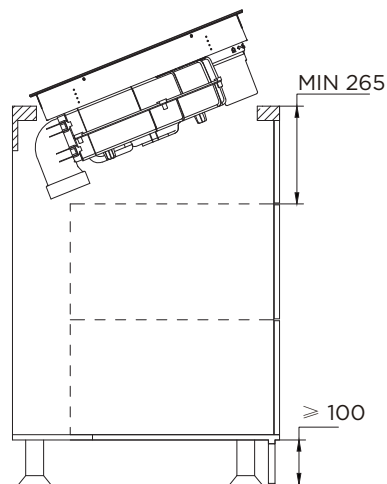


Eche pegamento y fíjelo después de la instalación

Coloque todo el aparato en el armario y ajuste el producto

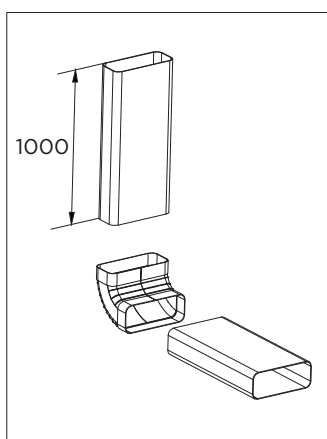
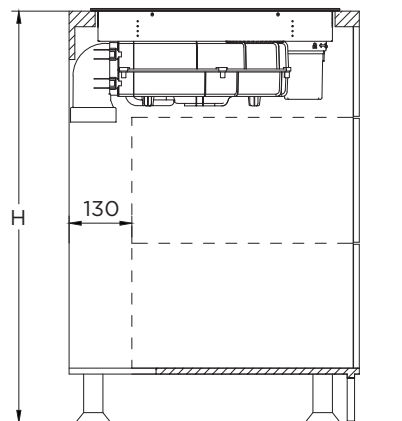
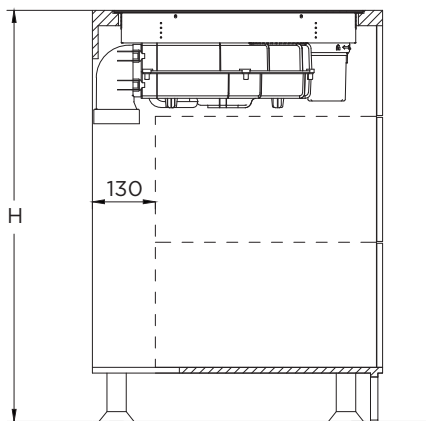


Coloque todo el aparato en el armario y ajuste el producto

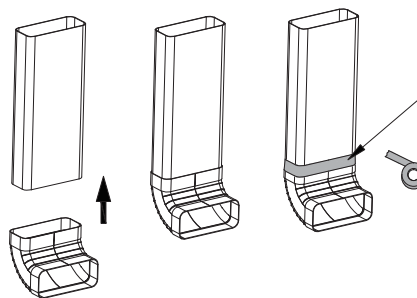
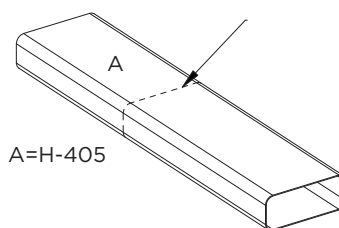


# B

## Utilización del aparato



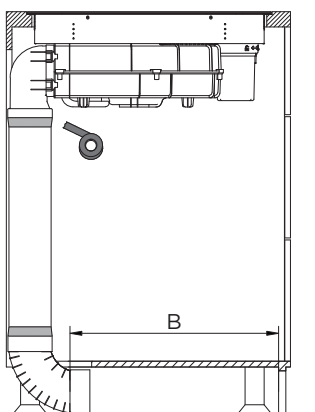
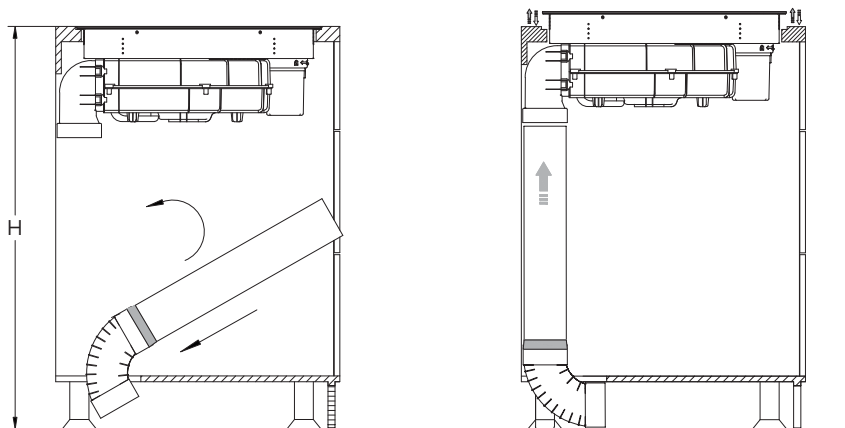
Naber S04024  
Naber S04020



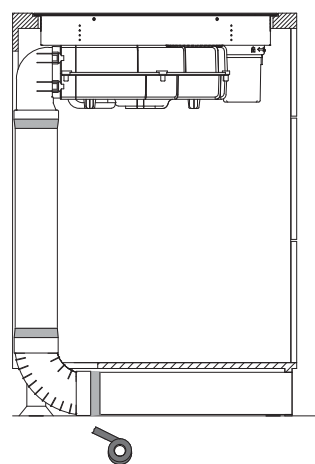
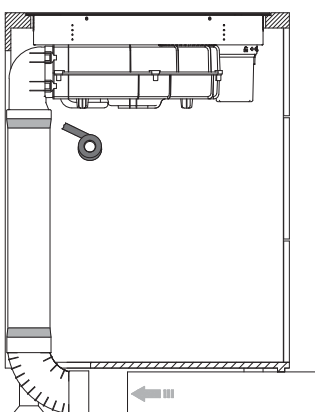
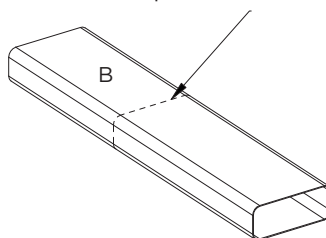


# B

## Utilización del aparato



Utilice una sierra para cortar el tubo a la longitud necesaria

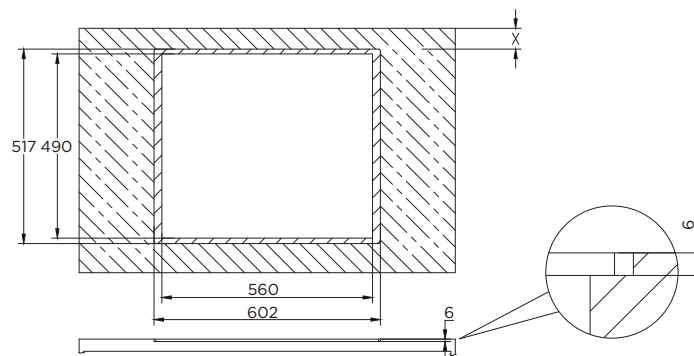


# B

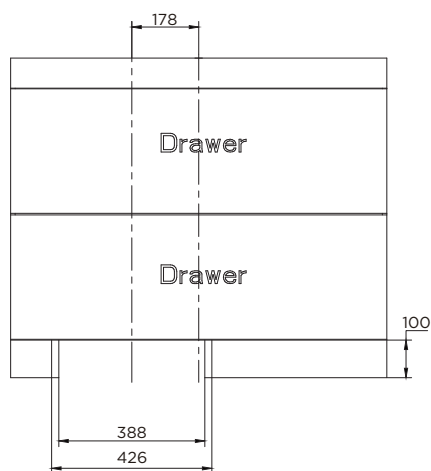
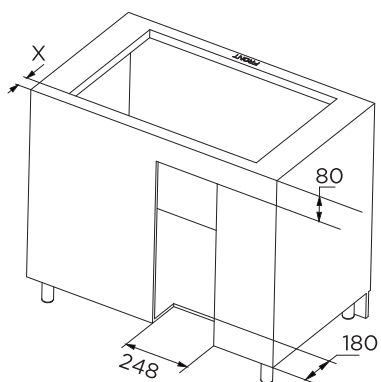
## Utilización del aparato

### Tamaño de la abertura del armario

#### INSTALACIÓN SOBRE ENCIMERA



Anchura de la encimera (Y)	X
600-650 mm	54 mm
≥ 650 mm	65 mm



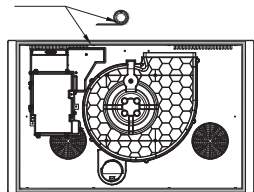
## B

## Utilización del aparato

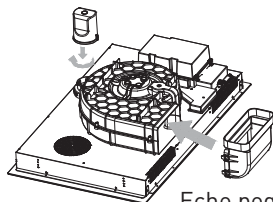
### Circulación externa

1. Tiras de esponja adhesivas

Tira de esponja

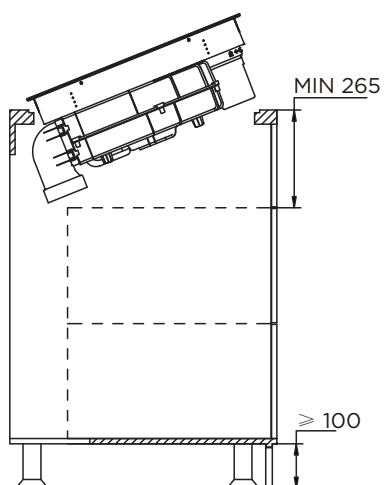


2. Instale el vaso para agua y el adaptador de 90°

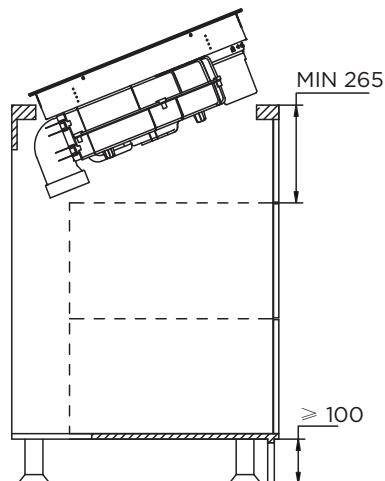


Eche pegamento y fíjelo después de la instalación

Coloque todo el aparato en el armario y ajuste el producto

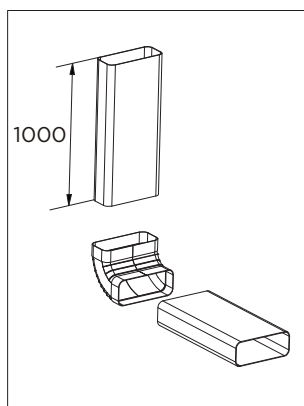
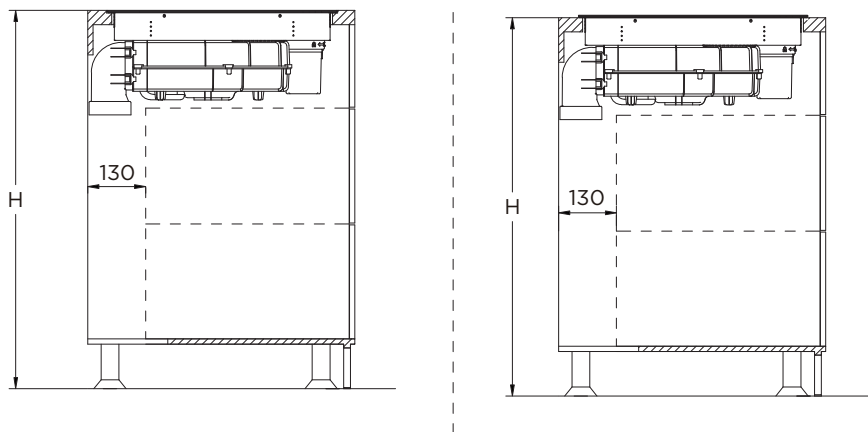


Coloque todo el aparato en el armario y ajuste el producto



## B

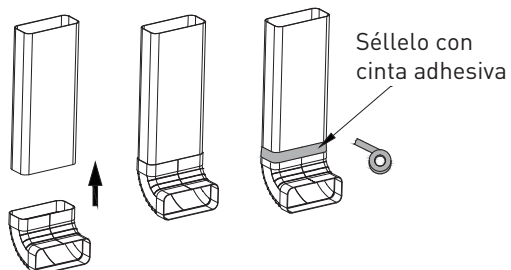
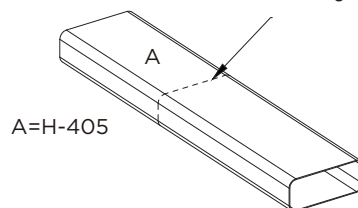
## Utilización del aparato



Naber S04024  
Naber S04020

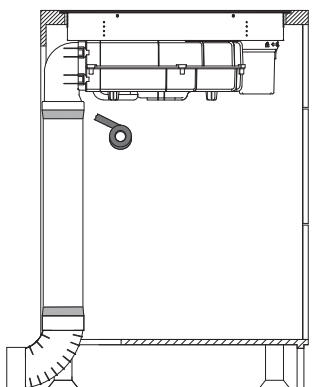
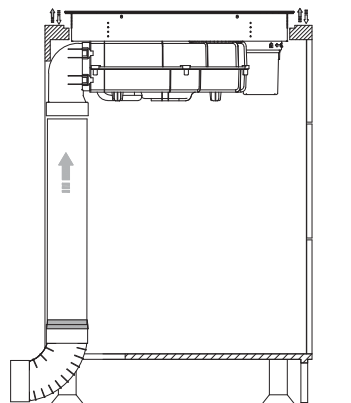
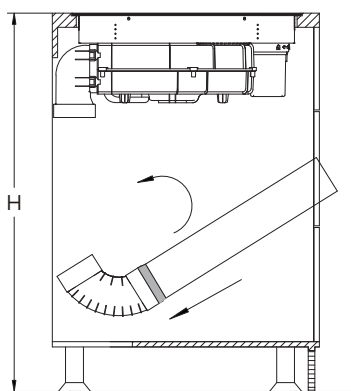


Utilice una sierra para cortar el tubo a la longitud necesaria

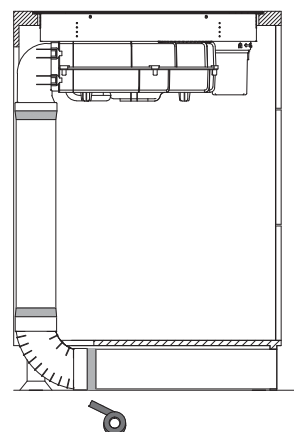
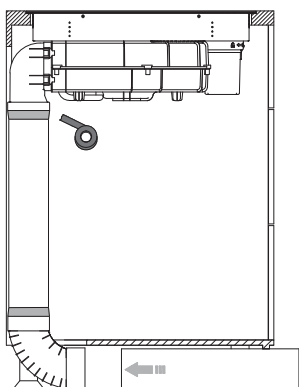
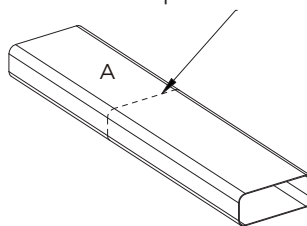


# B

## Utilización del aparato



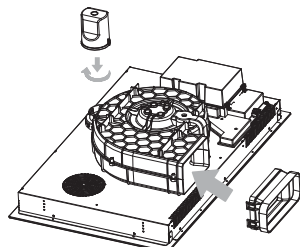
Utilice una sierra para cortar el tubo a la longitud necesaria



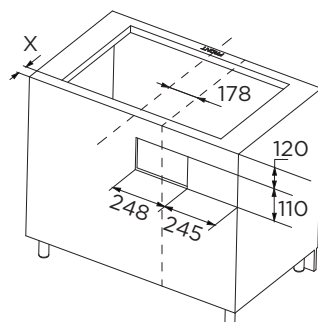
# B

## Utilización del aparato

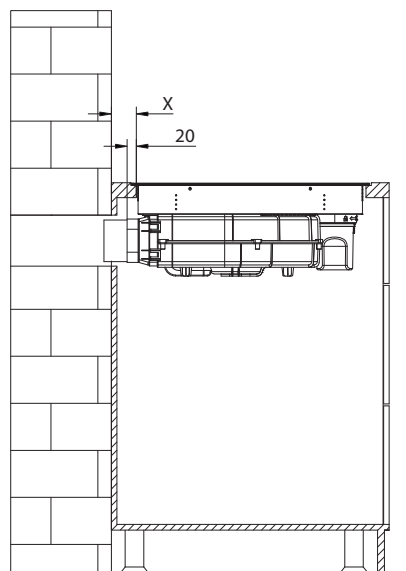
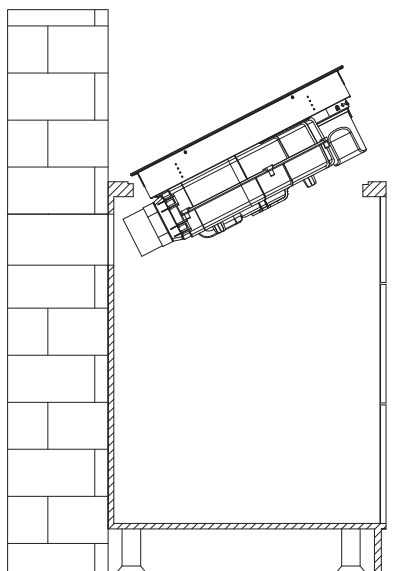
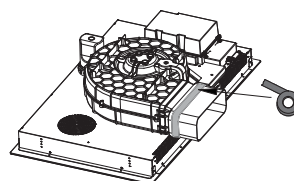
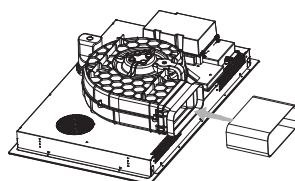
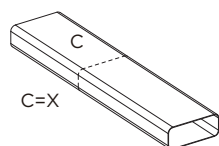
### Esquema I: Instalación del vaso para agua y del adaptador recto



Eche pegamento y fíjelo después de la instalación



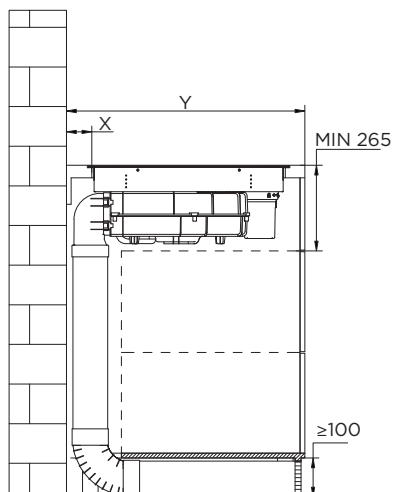
Anchura de la encimera (Y)	X
600-650 mm	54 mm
≥ 650 mm	65 mm



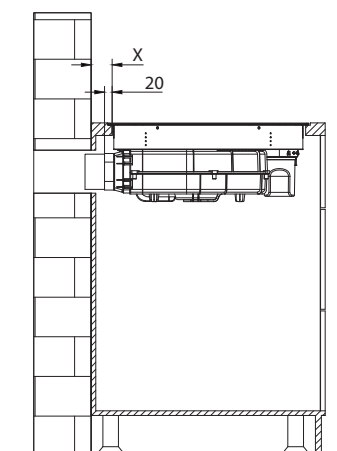
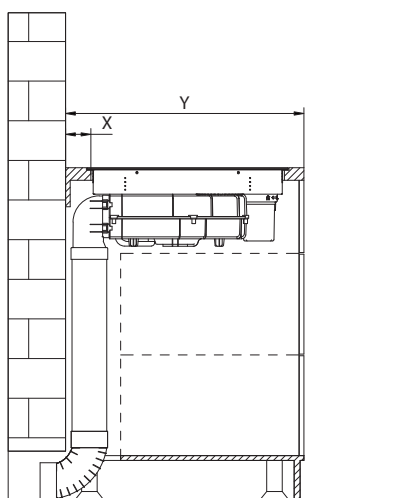
## B

## Utilización del aparato

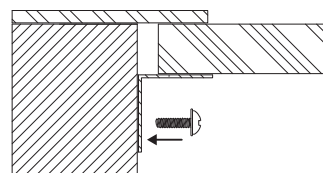
### Circulación interna



### Circulación externa



Una vez instalado el producto, instale los cuatro soportes a ambos lados del producto para evitar que se caiga.



# B

## Utilización del aparato

### Esquema eléctrico

Conexión eléctrica	Esquema de conexión de la vivienda	Cable de alimentación
<p>~220-240 V</p>		<p>5G 2,5 mm<sup>2</sup> H07RN-F                      L1: BK                      L2: BN                      N1: GY                      N2: BU                      PE: GN/YE</p>
<p>~380-415 V</p>		<p>5G 2,5 mm<sup>2</sup> H07RN-F                      L1: BK                      L2: BN                      N1: GY                      N2: BU                      PE: GN/YE</p>

L1, L2= Fase, N1, N2= Neutro, PE= Tierra

El diámetro del cable eléctrico de conexión deberá ser superior a 4,0 mm<sup>2</sup>.

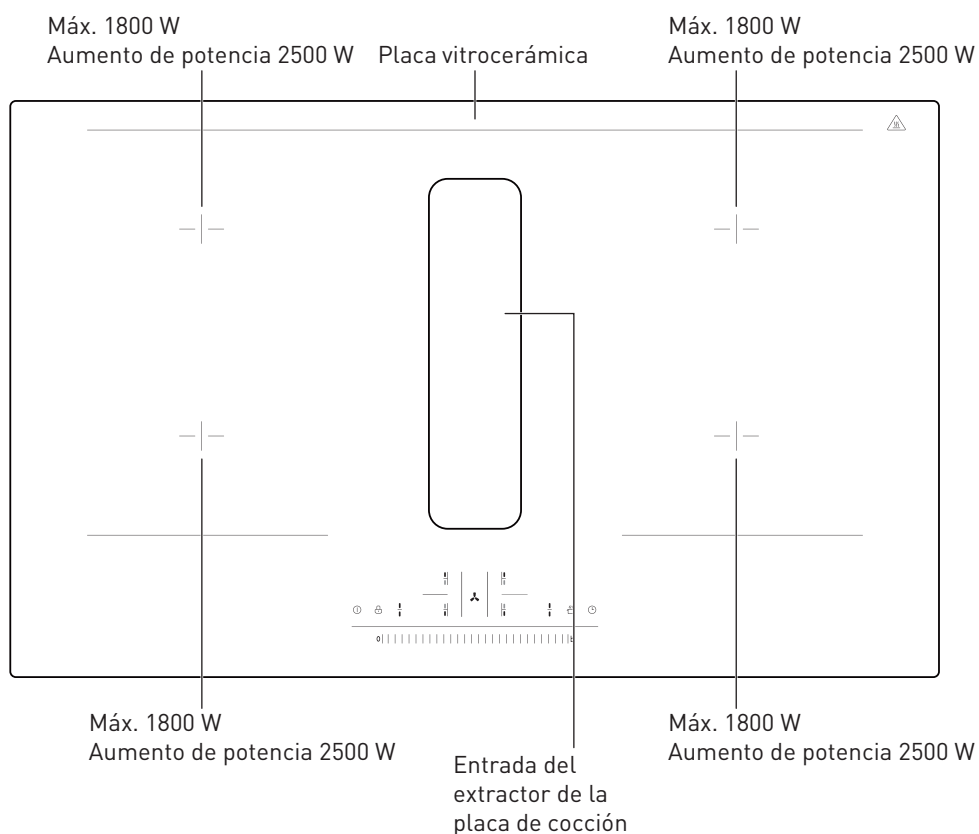


## B

## Utilización del aparato

### Instrucciones de uso

#### Ajuste de velocidad. (Para algunos modelos)



Interruptor principal



Bloqueo para niños



Puente



Zona de cocción a elegir






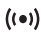

Selección del ventilador





Conservación del calor

# B

## Utilización del aparato

	Tiempo		Zona de control de la velocidad
•	Luz de estado de activación		Luz indicadora de la velocidad de la zona de cocción o del ventilador
	Pantalla de activación de la conexión del ventilador		Pantalla de tiempo

Botón	Función	Notas
• 	Interruptor principal	<ul style="list-style-type: none"> <li>Con la placa de cocción desbloqueada, pulse el botón brevemente para encender/apagar la placa de cocción, la luz indicadora de encendido se encenderá o se apagará.</li> </ul>
• 	Bloqueo para niños	<ul style="list-style-type: none"> <li>Mantenga presionado el botón de bloqueo para niños para entrar en el modo de bloqueo, se encenderá la luz indicadora del bloqueo para niños; excepto el interruptor principal y el botón de bloqueo para niños, los demás botones no funcionarán.</li> <li>Mantenga presionado el botón para desbloquear. La luz indicadora del bloqueo para niños se apagará y se restablecerán los demás botones.</li> </ul>

## B

## Utilización del aparato



### Puente

- Pulse brevemente el botón de puente de la izquierda, la luz indicadora estará en el estado activo, la zona de cocción izquierda se pondrán en funcionamiento.
- La zona de cocción izquierda se pueden controlar para subir o bajar la velocidad de la zona de cocción al mismo tiempo. En el estado de funcionamiento, si lo pulsa brevemente cancelará la operación de puente y apagará la zona de cocción izquierda. En el estado de puente, la zona de cocción izquierda pueden funcionar regularmente al mismo tiempo.
- Pulse brevemente el botón de puente de la derecha, la luz indicadora estará en el estado activo, la zona de cocción de la derecha se pondrán en funcionamiento. La zona de cocción derecha se pueden controlar para subir o bajar la velocidad de la zona de cocción al mismo tiempo. En el estado de funcionamiento, si lo pulsa brevemente cancelará la operación de puente y apagará la zona de cocción derecha. En el estado de puente, la zona de cocción derecha pueden funcionar regularmente al mismo tiempo.



### Conservación del calor

- Pulse el botón de conservación del calor para entrar en el estado de conservación del calor. La zona de cocción que esté funcionando lo hará a la velocidad más baja y la pantalla mostrará L. Cuando se pulse de nuevo el botón de conservación del calor u otros botones, se cancelará el estado de conservación del calor y la zona de cocción volverá al estado de funcionamiento anterior.
- En el estado de conservación del calor, la luz indicadora se encenderá.

## B

## Utilización del aparato



### Tiempo

- El tiempo de la zona de cocción puede ajustarse en 00-99 min. En el estado seleccionado de la zona de cocción, pulse el botón del tiempo para ajustar el tiempo de la zona de cocción seleccionada.
- El tiempo puede ajustarse en unidades y decenas de minutos; primero ajuste el dígito de las decenas y, a continuación, ajuste el dígito de las unidades. Durante el ajuste del dígito de las decenas, pulse el control deslizante durante tres segundos o pulse de nuevo el botón del tiempo para entrar en el ajuste del dígito de las unidades.
- Durante el ajuste del dígito de las unidades, pulse el control deslizante durante tres segundos y entrará en el estado de cuenta atrás del temporizador. Durante el ajuste, pulse de nuevo el botón del tiempo para cancelar el ajuste del tiempo. Ajuste el tiempo deslizando la barra deslizante.
- Durante el funcionamiento con el temporizador, el tiempo disminuirá por minutos. Una vez haya finalizado el tiempo, se apagará mediante el sonido de 6 tonos de aviso.



### Botón de selección de la zona de cocción superior izquierda

- La zona de cocción superior izquierda se selecciona para el ajuste de potencia o tiempo, y la luz indicadora parpadeará a la izquierda para indicar que la pantalla digital muestra el nivel de potencia de la zona de cocción seleccionada, y se realiza el ajuste inicial de 5 niveles de potencia. Cuando se seleccione la zona de cocción, el tubo digital parpadeará durante 3 segundos, y podrá ajustar la velocidad con el botón deslizante.



### Botón de selección de la zona de cocción inferior izquierda

- Seleccione la zona de cocción inferior izquierda para ajustar la potencia o el tiempo, la luz indicadora izquierda parpadeará para indicar que el tubo digital actual muestra el estado del cabezal de la zona de cocción, realice el ajuste inicial de 5 niveles de potencia, seleccione la zona de cocción, el tubo digital parpadeará durante 3 segundos y podrá ajustar la velocidad con el botón deslizante.

## B

## Utilización del aparato



Botón de selección de la zona de cocción superior derecha

- La zona de cocción superior derecha se selecciona para el ajuste de potencia o tiempo, y la luz indicadora parpadeará a la derecha para indicar que el tubo digital actual muestra el estado del cabezal de la zona de cocción, y se realiza el ajuste inicial de 5 niveles de potencia. Cuando se seleccione la zona de cocción, el tubo digital parpadeará durante 3 segundos, y podrá ajustar la velocidad con el botón deslizante.



Botón de selección de la zona de cocción inferior derecha

- La zona de cocción inferior derecha se selecciona para el ajuste de potencia o tiempo, y la luz indicadora parpadeará a la derecha para indicar que el tubo digital actual muestra el estado de la zona de cocción, y se realiza el ajuste inicial de 5 niveles de potencia. Cuando se seleccione la zona de cocción, el tubo digital parpadeará durante 3 segundos, y podrá ajustar la velocidad con el botón deslizante.






Botón de selección del ventilador

- Cuando se encienda el ventilador por primera vez, el botón de conexión estará encendido y el ventilador estará en el estado de conexión.
- Seleccione el botón del ventilador, la barra deslizante puede controlar directamente la potencia del ventilador (velocidad 1-8 b), cuando la velocidad del ventilador esté ajustada en la velocidad b, pasará automáticamente a la velocidad 7 después de 5 minutos de funcionamiento; cuando la velocidad del ventilador esté ajustada en la velocidad 8, pasará automáticamente a la velocidad 7 después de 8 minutos de funcionamiento.
- La pantalla del botón del ventilador muestra la velocidad del ventilador.
- Cuando seleccione el ventilador, pulse de nuevo el botón del ventilador para entrar en el estado de apagado con retardo de 1 minuto, y se mostrará el tubo digital. Si vuelve a pulsarlo, el ventilador se apagará directamente.

## B

## Utilización del aparato

	Tubo digital 8 simple	<ol style="list-style-type: none"> <li>1. Muestra las velocidades 1-8 de la zona de cocción actual.</li> <li>2. Muestra la velocidad "b" de la zona de cocción y la velocidad del extractor de humo.</li> <li>3. "u" significa que no hay ninguna olla.</li> <li>4. "H" avisa de que la temperatura residual de la superficie de la zona de cocción es demasiado alta.</li> <li>5. Muestra 0 para detener la salida de potencia de la zona de cocción.</li> <li>6. En un estado de mal funcionamiento, la velocidad del aire del extractor de humo o de la zona de cocción actual que no funcione correctamente mostrará "E".</li> </ol>
	Tubo digital 8 doble	<ol style="list-style-type: none"> <li>1. Pantalla del tiempo, 00-99 min.</li> <li>2. En el estado de error, se mostrará el código de error actual.</li> <li>3. Mostrará "E" en el modo de espera.</li> </ol>
	Función de control de la velocidad del control deslizante	<ol style="list-style-type: none"> <li>1. La velocidad de la zona de cocción, la velocidad del aire y el tiempo se pueden ajustar deslizando la barra deslizante hacia la izquierda y hacia la derecha.</li> <li>2. Al apagar una zona de cocción o ventilador, buscará la zona 1, zona 2, zona 3, zona 4 y ventilador uno a uno, y transferirá el control a la zona de cocción o ventilador en funcionamiento.</li> </ol>

## B

## Utilización del aparato

(••)

Pantalla de activación de la conexión

- El botón de conexión se activa cuando el producto se enciende por primera vez, y el estado anterior se recuerda cada vez que se enciende el producto.
- Mantenga presionado por 3 segundos para cancelar el estado la conexión con el extractor de humo.
- Mantenga presionado el botón de ajuste de la velocidad para establecer la conexión con el extractor de humo.
  - (1) Obtenga el valor de potencia máxima de la zona de cocción actual para sincronizar la potencia del ventilador con la potencia máxima de la zona de cocción actual. Si la potencia máxima de las cuatro zonas de cocción están ajustada por defecto a 8, el ventilador también se ajustará a 8.
  - (2) La conexión de la zona de cocción con el extractor de humo tiene una función adaptativa.
    - Por ejemplo, cuando la zona de cocción está funcionando con la velocidad 5, y la velocidad del ventilador se ajusta manualmente en la velocidad 6 ( $6-5=1$ ), cuando la velocidad de la zona de cocción se vuelva a ajustar manualmente en la velocidad N, la velocidad del ventilador será N+1. Por supuesto, cuando la velocidad del ventilador alcance la velocidad 9, la velocidad del ventilador no aumentará.
    - Por ejemplo, cuando la zona de cocción está funcionando con la velocidad 5, y la velocidad del ventilador se ajusta manualmente en la velocidad 4 ( $4-5=-1$ ), cuando la velocidad de la zona de cocción se vuelva a ajustar manualmente en la velocidad N, la velocidad del ventilador será N-1. Por supuesto, cuando la velocidad del ventilador alcance la velocidad 1, la velocidad del ventilador ya no disminuirá.

## B

### Utilización del aparato

1. Coordinación de potencia (asegúrese de que la potencia de salida no supere los 3600 W cuando las zonas de cocción del mismo lado funcionen simultáneamente).  
En el proceso de ajuste del funcionamiento actual de las zonas de cocción de la placa de inducción, la potencia máxima de los dos cabezales de las zonas de cocción del mismo lado no deberá superar los 3600 W. Si la potencia total calculada supera los 3600 W durante el proceso de ajuste, reduzca la potencia de la zona de cocción sin accionar del mismo lado para garantizar que la potencia actual sea la potencia objetivo deseada por el usuario y que la potencia total no supere los 3600 W.
2. Función de ajuste de la potencia: Pulse dos teclas de conexión para entrar en el estado de ajuste de la potencia. Después de entrar en el estado de ajuste de la potencia, pulse el botón de puente izquierdo para reducir la potencia máxima y pulse el botón de puente derecho para aumentarla. Hay 5 niveles de potencia: 2800 W, 3600 W, 4600 W, 5800 W y 7200 W. Si no ajusta la potencia máxima al cabo de 30 segundos o no pulsa el botón de encendido, el sistema entrará en el estado apagado.
3. Hay dos modos en el producto, el modo de ahorro de energía (modo externo) y el modo convencional (modo de ciclo interno). En el modo de ahorro de energía no hay aumento de potencia, y hay dos aumentos de potencia en el modo convencional, que es el modo convencional predeterminado. En el modo de espera, mantenga pulsado el botón del ventilador y el botón del bloqueo para niños 2S para entrar en el estado de cambio de modo. En ese momento, pulse el botón del ventilador para cambiar de modo. 0 indica el modo normal; y 1, el modo de ahorro de energía.

Distribución de la potencia del fuego (nota: intermitente: 1000 W para intermitente)

Velocidad	0	1	2	3	4	5	6	7	8	b
Potencia (W)	0	100	200	300	800	1200	1400	1600	1800	2500

Distribución de la potencia de uso de la zona flexible

Velocidad	0	1	2	3	4	5	6	7	8	b
Potencia (W)	0	100	200	300	800	1000	1200	1400	1600	1800

Distribución de la velocidad de la potencia del ventilador

Velocidad	0	1	2	3	4	5	6	7	8	b
Volumen de aire (m <sup>3</sup> /h)	0	290	310	340	360	380	420	470	540	580
Tiempo de funcionamiento (min.)	Funcionamiento durante un periodo largo de tiempo								8	5

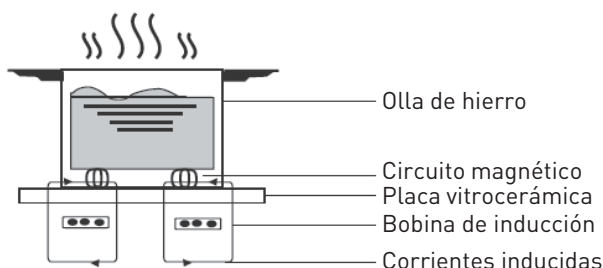


## B

## Utilización del aparato

### Teoría del funcionamiento

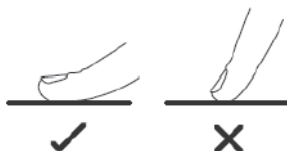
- La cocina de inducción es una tecnología de cocción segura, avanzada, eficiente y económica. Funciona mediante vibraciones electromagnéticas que generan calor directamente en la olla, en lugar de indirectamente a través del calentamiento de la superficie de cristal. El cristal se calienta solamente porque la olla acaba calentándolo.




### Funcionamiento del producto

#### Controles táctiles

- Los controles responden al tacto, por lo que no es necesario que aplique presión.
- Utilice la yema del dedo, no la punta.
- Escuchará un pitido cada vez que se registre una pulsación.
- Asegúrese de que los controles estén siempre limpios y secos, y que no haya ningún objeto (por ejemplo, un utensilio o un paño) cubriéndolos. Incluso una fina capa de agua puede dificultar el funcionamiento de los controles.



#### Elegir la batería de cocina adecuada

-  Utilice únicamente baterías de cocina con una base adecuada para cocinar con inducción.
- Busque el símbolo de inducción en el embalaje o en el fondo de la olla.
- El aparato detectará los platos si miden 14 cm de diámetro o más.
- Puede comprobar si su batería de cocina es adecuada realizando una prueba magnética. Acerque un imán a la base de la olla. Si se atrae, la olla es adecuada para inducción.



## B

## Utilización del aparato

- Si no tiene un imán:
  1. Eche un poco de agua en la olla que desee comprobar.
  2. Si **L** no parpadea en la pantalla y el agua se calienta, la olla es adecuada.
- No son adecuadas las baterías de cocina fabricadas con los siguientes materiales: acero inoxidable puro, aluminio o cobre sin base magnética, vidrio, madera, porcelana, cerámica y loza.

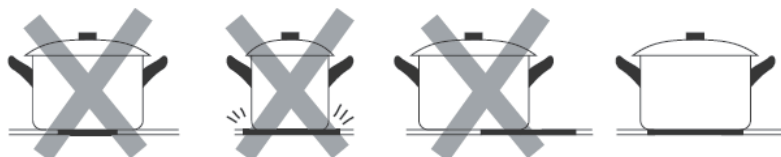
No utilice baterías de cocina con bordes dentados o con una base curvada



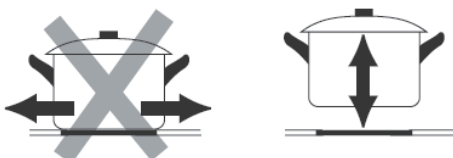
No utilice ollas a presión para calentar.



Asegúrese de que la base de la olla sea lisa, quede plana contra el cristal y tenga el mismo tamaño que la zona de cocción. Utilice ollas cuyo diámetro sea tan grande como el gráfico de la zona seleccionada. Si utiliza una olla un poco más ancha, la energía se utilizará en su máxima eficiencia. Si utiliza una olla más pequeña, la eficiencia podría ser inferior a la esperada. Una olla de menos de 140 mm podría no ser detectada por la placa de cocción. Centre siempre la olla en la zona de cocción.



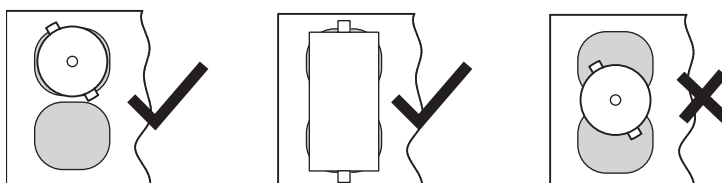
Levante siempre las ollas de la placa de inducción, no las deslice, ya que podrían rayar el cristal.



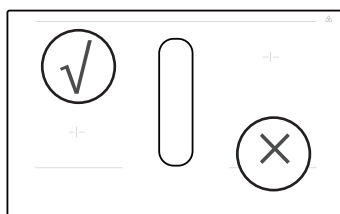
## B

## Utilización del aparato

Cuando utilice el producto, consulte la siguiente ilustración para colocar la olla. No coloque la olla en el centro.



La olla deberá colocarse en la zona de impresión serigráfica del cristal.



### Guía de cocción



Tenga cuidado al freír, ya que el aceite y la grasa se calientan muy rápidamente, sobre todo si utiliza el aumento de potencia. A temperaturas extremadamente altas, el aceite y la grasa se inflaman espontáneamente, lo que supone un grave riesgo de incendio.

### Consejos de cocción

- Cuando los alimentos empiecen a hervir, reduzca el ajuste de temperatura.
- El uso de una tapa reducirá el tiempo de cocción y ahorrará energía al retener el calor.
- Reduzca al mínimo la cantidad de líquido o grasa para reducir los tiempos de cocción.
- Empiece a cocinar a fuego alto y reduzca el fuego cuando los alimentos estén bien calientes.

### Cocer a fuego lento, cocer arroz

- La cocción a fuego lento se produce por debajo del punto de ebullición, a unos 85 °C, cuando las burbujas apenas suben ocasionalmente a la superficie del líquido de cocción. Es la clave de las sopas deliciosas y los guisos tiernos, porque los sabores se mezclan sin cocinar demasiado los alimentos. También debería cocinar las salsas espesadas con huevo y harina por debajo del punto de ebullición.
- Algunas elaboraciones, incluida la cocción del arroz mediante el método de absorción, pueden requerir un ajuste superior al más bajo para garantizar que los alimentos se cocinen correctamente en el tiempo recomendado.

### Filete a la plancha

Para cocinar filetes jugosos y sabrosos:

- Deje la carne a temperatura ambiente durante unos 20 minutos antes de cocinarla.

## B

## Utilización del aparato

- Caliente una sartén de base gruesa.
- Unte ambos lados del filete con aceite. Eche una pequeña cantidad de aceite en la sartén caliente y, a continuación, coloque la carne en la sartén caliente.
- Dé la vuelta al filete solo una vez durante la cocción. El tiempo exacto de cocción dependerá del grosor del filete y del punto que desee. El tiempo puede variar entre unos 2 y 8 minutos por cada lado. Presione el filete para medir su grado de cocción: cuanto más firme esté, más hecho estará.
- Deje reposar el filete en un plato caliente durante unos minutos para que repose y se ablande antes de servirlo.

### Para saltear

- Elija un wok plano compatible con inducción o una sartén grande.
- Tenga listos todos los ingredientes y los utensilios de cocina. El salteado debe ser rápido. Si cocina grandes cantidades, cocine los alimentos en varias tandas pequeñas.
- Precaliente brevemente la sartén y añada dos cucharadas de aceite.
- Cocine primero la carne, apártela y manténgala caliente.
- Saltee las verduras. Cuando estén calientes pero todavía crujientes, ajuste la zona de cocción a un nivel más bajo, vuelva a echar la carne en la sartén y añada la salsa.
- Remueva suavemente los ingredientes para asegurarse de que se calientan bien.
- Sirva inmediatamente.

### Detección de objetos pequeños

- Cuando se deje sobre la placa de cocción una olla de un tamaño inadecuado o no magnética (por ejemplo, de aluminio), o algún otro objeto pequeño (por ejemplo, un cuchillo, un tenedor, una llave), la placa entrará automáticamente en el modo de espera en 1 minuto. El ventilador seguirá enfriando la placa de inducción durante 1 minuto más.

### **Ajustes del calor**

- Los ajustes que se indican a continuación son solo orientativos. El ajuste exacto dependerá de varios factores, como la batería de cocina y la cantidad que cocine. Vaya probando con la placa de inducción para encontrar los ajustes que mejor se adapten a usted.

Ajuste del calor	Idoneidad
1 - 2	<ul style="list-style-type: none"><li>• Calentamiento delicado para pequeñas cantidades de comida</li><li>• Derretir chocolate, mantequilla y alimentos que se quemen rápidamente</li><li>• Cocción suave a fuego lento</li><li>• Calentamiento lento</li></ul>
3 - 4	<ul style="list-style-type: none"><li>• Recalentamiento</li><li>• Cocción rápida a fuego lento</li><li>• Cocer arroz</li></ul>
5 - 6	<ul style="list-style-type: none"><li>• Tortitas</li></ul>

# B

## Utilización del aparato

**7 - 8**

- Sofreír
- Cocer pasta

**b**

- Saltear
- Cocinar a la plancha
- Llevar la sopa a ebullición
- Hervir agua

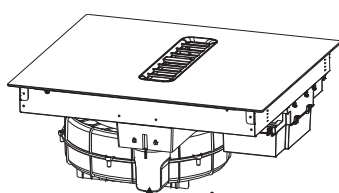
## C

## Limpieza y mantenimiento

### Limpieza y mantenimiento

#### Limpieza de la superficie de cristal, limpieza diaria de mantenimiento

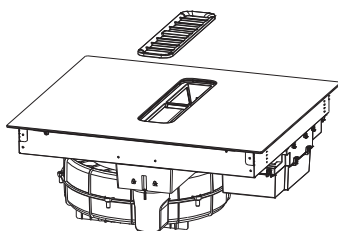
- Cuando utilice un paño para limpiarla, trate de que no entre agua limpia en la rejilla.



⚠ Limpie el vaso para agua regularmente.

#### Limpie la rejilla y realice el mantenimiento rutinario

- Coja la rejilla, límpiela con cuidado y luego vuelva a colocarla.

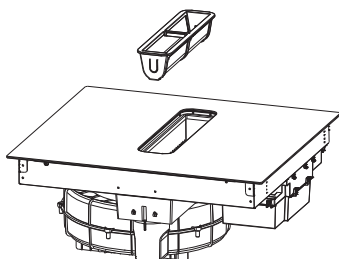


#### Limpieza de la pantalla del filtro, limpieza diaria de mantenimiento

- Saque el soporte del filtro horizontalmente, retire el filtro del soporte y lávelo en el lavavajillas, o limpie el filtro manualmente. El agua residual del soporte del filtro se extrae horizontalmente y se desecha en el canal de agua.

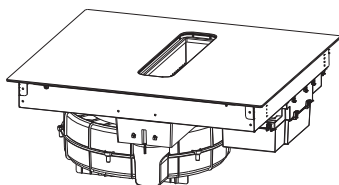
## C

## Limpieza y mantenimiento



### Limpieza del vaso para agua, limpieza diaria de mantenimiento

- Gire hacia fuera el vaso para agua, deseche el agua residual que haya en su interior y vuelva a instalarlo.



## Solución de problemas

Problema	Posible razón	Solución
La placa de inducción no se puede encender	<ul style="list-style-type: none"> <li>• No hay alimentación.</li> </ul>	<ul style="list-style-type: none"> <li>• Asegúrese de que la placa de inducción está conectada a la red eléctrica y está encendida.</li> <li>• Compruebe si hay un corte de corriente en su vivienda o en la zona en la que vive. Si lo ha comprobado todo y el problema persiste, llame a un técnico cualificado.</li> </ul>
Los controles táctiles no responden	<ul style="list-style-type: none"> <li>• Los controles están bloqueados.</li> </ul>	<ul style="list-style-type: none"> <li>• Desbloquee los controles. Consulte las instrucciones del apartado "Uso de la placa de inducción".</li> </ul>

## C

## Limpieza y mantenimiento

Problema	Posible razón	Solución
Los controles táctiles funcionan con dificultad	<ul style="list-style-type: none"> <li>Es posible que haya una pequeña película de agua sobre los controles o que esté utilizando la punta del dedo al tocar los controles.</li> </ul>	<ul style="list-style-type: none"> <li>Asegúrese de que la zona de los controles táctiles está seca y de que utiliza la yema del dedo al tocar los controles.</li> </ul>
El cristal se raya	<ul style="list-style-type: none"> <li>Baterías de cocina con bordes rugosos.</li> <li>Uso de estropajos o productos de limpieza inadecuados o abrasivos.</li> </ul>	<ul style="list-style-type: none"> <li>Utilice baterías de cocina con bases planas y lisas. Consulte el apartado "Elegir la batería de cocina adecuada".</li> <li>Consulte el apartado "Cuidados y limpieza".</li> </ul>
La placa de inducción o una zona de cocción se ha apagado inesperadamente, suena un tono y se muestra un código de error (normalmente alternando con uno o dos dígitos en la pantalla del temporizador de cocción).	<ul style="list-style-type: none"> <li>Fallo técnico.</li> </ul>	<ul style="list-style-type: none"> <li>Anote las letras y números del error, desconecte la alimentación de la placa de inducción de la pared y póngase en contacto con un técnico cualificado.</li> </ul>
La placa de inducción emite un leve zumbido cuando se utiliza a fuego alto.	<ul style="list-style-type: none"> <li>Esto se debe a la tecnología de cocción por inducción.</li> </ul>	<ul style="list-style-type: none"> <li>Es normal, pero el ruido debería atenuarse o desaparecer por completo cuando reduzca el ajuste del calor.</li> </ul>



## C

## Limpieza y mantenimiento

Problema	Posible razón	Solución
Las ollas no se calientan y aparece «U» en la pantalla.	<ul style="list-style-type: none"> <li>• La placa de inducción no puede detectar la olla porque no es adecuada para la cocción por inducción.</li> <li>• La placa de inducción no detecta la olla porque es demasiado pequeña para la zona de cocción o no está bien centrada en ella.</li> </ul>	<ul style="list-style-type: none"> <li>• Utilice baterías de cocina adecuadas para cocinar con inducción. Consulte el apartado "Elegir la batería de cocina adecuada".</li> <li>• Centre la olla y asegúrese de que su base coincide con el tamaño de la zona de cocción.</li> </ul>
Ruido del ventilador procedente de la placa de inducción.	<ul style="list-style-type: none"> <li>• Un ventilador de refrigeración integrado en su placa de inducción se ha puesto en marcha para evitar el sobrecalentamiento de los componentes electrónicos. Puede seguir funcionando incluso después de que haya apagado la placa de inducción.</li> </ul>	<ul style="list-style-type: none"> <li>• Esto es normal y no requiere ninguna acción. No desconecte la alimentación de la placa de inducción de la pared mientras el ventilador esté funcionando.</li> </ul>
Algunas ollas emiten sonidos de crujidos o chasquidos	<ul style="list-style-type: none"> <li>• Esto puede deberse a la fabricación de su batería de cocina (capas de diferentes metales que vibran de forma distinta).</li> </ul>	<ul style="list-style-type: none"> <li>• Esto es normal en las baterías de cocina y no indica ningún fallo.</li> </ul>

## C

## Limpieza y mantenimiento

Problema	Posible razón	Solución
La luz se enciende pero el motor no funciona	<ul style="list-style-type: none"> <li>Las cuchillas están bloqueadas.</li> <li>El condensador está dañado.</li> <li>El motor está dañado.</li> <li>El cableado interno del motor está cortado/desconectado. Puede producirse un olor desagradable.</li> </ul>	<ul style="list-style-type: none"> <li>Examine las cuchillas</li> <li>Sustituya el condensador.</li> <li>Sustituya el motor.</li> <li>Sustituya el motor.</li> </ul>
Tanto la luz como el motor no funcionan	Aparte de lo anterior, compruebe lo siguiente:	
	<ul style="list-style-type: none"> <li>Luz dañada.</li> <li>Cable de alimentación suelto.</li> </ul>	<ul style="list-style-type: none"> <li>Cambie las luces.</li> <li>Conecte los cables según el esquema eléctrico.</li> </ul>
Fuga de aceite	<ul style="list-style-type: none"> <li>La salida y la entrada de ventilación de aire no están bien selladas.</li> </ul>	<ul style="list-style-type: none"> <li>Desmonte la salida y séllela con pegamento.</li> </ul>
Vibración	<ul style="list-style-type: none"> <li>La cuchilla, si está dañada, puede provocar vibraciones.</li> <li>El motor no está bien sujeto.</li> <li>El extractor de humo no está bien fijado.</li> </ul>	<ul style="list-style-type: none"> <li>Sustituya la cuchilla.</li> <li>Fije bien el motor.</li> <li>Fije bien el extractor de humo.</li> </ul>
Aspiración insuficiente	<ul style="list-style-type: none"> <li>La distancia entre el extractor de humo y la encimera de cocción es demasiado grande.</li> <li>Demasiada ventilación por puertas o ventanas abiertas.</li> </ul>	<ul style="list-style-type: none"> <li>Reajuste la distancia.</li> <li>Elija un nuevo lugar para instalar el aparato o cierre algunas puertas/ventanas.</li> </ul>

## C

## Limpieza y mantenimiento

Problema	Posible razón	Solución
El aparato se inclina	<ul style="list-style-type: none"> <li>• Los tornillos de fijación no están lo suficientemente apretados.</li> <li>• Los tornillos para colgar no están lo suficientemente apretados.</li> </ul>	<ul style="list-style-type: none"> <li>• Apriete el tornillo de fijación y póngalo horizontal.</li> <li>• Apriete el tornillo para colgar y póngalo horizontal.</li> </ul>

## Función de autodiagnóstico

Código de error	Razón	Solución
01	<ul style="list-style-type: none"> <li>• Circuito abierto en el NTC de la superficie de la zona de cocción</li> </ul>	<ul style="list-style-type: none"> <li>• Sustituya el NTC de la superficie de la zona de cocción</li> </ul>
02	<ul style="list-style-type: none"> <li>• Cortocircuito en el NTC de la superficie de la zona de cocción</li> </ul>	<ul style="list-style-type: none"> <li>• Sustituya el NTC de la superficie de la zona de cocción</li> </ul>
03	<ul style="list-style-type: none"> <li>• La temperatura del NTC de la superficie de la zona de cocción es demasiado alta</li> </ul>	<ul style="list-style-type: none"> <li>• Después de que se notifique el error de desconexión, espere a que la refrigeración reanude su funcionamiento normal</li> </ul>
04	<ul style="list-style-type: none"> <li>• El NTC del disipador de calor está abierto</li> </ul>	<ul style="list-style-type: none"> <li>• Sustituya el NTC del disipador de calor</li> </ul>
05	<ul style="list-style-type: none"> <li>• El NTC del radiador está cortocircuitado</li> </ul>	<ul style="list-style-type: none"> <li>• Sustituya el NTC del disipador de calor</li> </ul>
06	<ul style="list-style-type: none"> <li>• La temperatura del NTC para la disipación de calor es demasiado alta</li> </ul>	<ul style="list-style-type: none"> <li>• Después de que se notifique el error de desconexión, espere a que la refrigeración reanude su funcionamiento normal</li> </ul>
07	<ul style="list-style-type: none"> <li>• Bajo voltaje de entrada</li> </ul>	<ul style="list-style-type: none"> <li>• Compruebe si el voltaje de entrada externa es inferior a 150 V</li> </ul>
08	<ul style="list-style-type: none"> <li>• Alta tensión de entrada</li> </ul>	<ul style="list-style-type: none"> <li>• Compruebe si el voltaje de entrada externa es superior a 270 V</li> </ul>

## C

## Limpieza y mantenimiento

Código de error	Razón	Solución
09	<ul style="list-style-type: none"> <li>Fallo en la comunicación de recepción</li> </ul>	<ul style="list-style-type: none"> <li>Compruebe si la conexión entre la placa de la pantalla y la placa de inducción es incorrecta y sustituya el cable de comunicación.</li> </ul>
10	<ul style="list-style-type: none"> <li>Fallo del NTC de la superficie de la zona de cocción</li> </ul>	<ul style="list-style-type: none"> <li>Compruebe si el sensor de temperatura de la superficie de la zona de cocción está en contacto con la superficie de la zona de cocción, y si hay contacto con el pegamento del cristal.</li> </ul>
11	<ul style="list-style-type: none"> <li>Fallo interno, disco abierto, sin señal de sincronización</li> </ul>	<ul style="list-style-type: none"> <li>Compruebe si el disco del cable está abierto y determine si debe sustituir la bobina de solenoide</li> </ul>
12	<ul style="list-style-type: none"> <li>Error del ventilador</li> </ul>	<ul style="list-style-type: none"> <li>Compruebe si el módulo del ventilador está abierto</li> </ul>
13	<ul style="list-style-type: none"> <li>Secado</li> </ul>	<ul style="list-style-type: none"> <li>Apague y vuelva a encender</li> </ul>

Error	Problema	Solución A	Solución B
La luz LED no se enciende cuando el aparato está enchufado	<ul style="list-style-type: none"> <li>No hay alimentación.</li> <li>La placa de alimentación accesoria y la placa de la pantalla conectadas fallan.</li> <li>La placa de alimentación accesoria está dañada.</li> <li>La placa de la pantalla está dañada.</li> </ul>	<ul style="list-style-type: none"> <li>La luz LED no se enciende cuando el aparato está enchufado.</li> <li>Compruebe la conexión.</li> <li>Sustituya la placa de alimentación accesoria.</li> <li>Sustituya la placa de la pantalla.</li> </ul>	
Algunos botones no funcionan o la pantalla LED no funciona con normalidad.	<ul style="list-style-type: none"> <li>La placa de la pantalla está dañada.</li> </ul>	<ul style="list-style-type: none"> <li>Sustituya la placa de la pantalla.</li> </ul>	

# C

## Limpeza y mantenimiento

Error	Problema	Solución A	Solución B
La luz indicadora del modo de cocción se enciende, pero el calentamiento no se inicia	<ul style="list-style-type: none"> <li>Alta temperatura de la placa de inducción.</li> <li>Algo le ocurre al ventilador.</li> <li>La placa de alimentación está dañada.</li> </ul>	<ul style="list-style-type: none"> <li>Es posible que la temperatura ambiente sea demasiado alta. Es posible que la entrada o la salida de aire estén bloqueadas.</li> <li>Compruebe si el ventilador funciona correctamente; si no es así, sustitúyalo.</li> <li>Sustituya la placa de alimentación.</li> </ul>	
El calentamiento se detiene repentinamente durante el funcionamiento y en la pantalla parpadea "u".	<ul style="list-style-type: none"> <li>El tipo de olla no es adecuado.</li> <li>El diámetro de la olla es demasiado pequeño.</li> <li>La placa de cocción se ha sobrecalentado.</li> </ul>	<ul style="list-style-type: none"> <li>Utilice una olla adecuada (consulte el manual de instrucciones).</li> <li>El aparato está sobrecalentado. Espere a que la temperatura vuelva a ser normal. Pulse el botón de encendido/apagado para reiniciar el aparato.</li> </ul>	<ul style="list-style-type: none"> <li>El circuito de detección de la olla está dañado, sustituya la placa de alimentación.</li> </ul>
Las zonas de calentamiento del mismo lado (como la primera y la segunda zona) muestran "u".	<ul style="list-style-type: none"> <li>La placa principal está dañada.</li> </ul>	<ul style="list-style-type: none"> <li>Sustituya la placa de alimentación.</li> </ul>	
El motor del ventilador suena de forma anormal	<ul style="list-style-type: none"> <li>El motor del ventilador está dañado.</li> </ul>	<ul style="list-style-type: none"> <li>Sustituya el ventilador.</li> </ul>	

Lo anterior descrito es el análisis y el examen de fallos comunes.

No desmonte el aparato usted mismo para evitar peligros y daños en la placa de inducción.

### WARRANTY CONDITIONS

EN

This product is guaranteed against faults caused by defects in manufacturing or the materials used for a period of two years, starting from the date of purchase.\* This warranty does not cover defects or damage caused by failure to install the device correctly, incorrect use of the product, or excessive wear and tear.

\*proof of purchase required.

### CONDITION DE GARANTIE

FR

Ce produit est garanti pour une période de 2 ans à partir de la date d'achat\*, contre toute défaillance résultant d'un vice de fabrication ou de matériau. Cette garantie ne couvre pas les vices ou les dommages résultant d'une mauvaise installation, d'une utilisation incorrecte ou de l'usure anormale du produit.

\*sur présentation du ticket de caisse.

### GARANTIEVOORWAARDEN

NL

Dit product wordt gegarandeerd voor een periode van 2 jaar vanaf de aankoopdatum\*, voor elke storing die het gevolg is van een fabricagefout of het materiaal. Gebreken of schade door slechte installatie, onjuist gebruik of abnormale slijtage van het product worden niet gedekt door deze garantie.

\*op vertoon van kassabon.

### CONDICIONES DE GARANTÍA

ES

El certificado de garantía de este producto tiene una duración de 3 años a partir de la fecha de compra\* que se limita a los defectos de fabricación y averías del material. Se excluyen de la garantía deficiencias o daños originados por una mala instalación, errores en la manipulación o por un uso inadecuado.

\*previa presentación del comprobante de compra.

ELECTRO DEPOT

1 route de Vendeville

59155 FACHES-THUMESNIL - FRANCE

Made in PRC

