

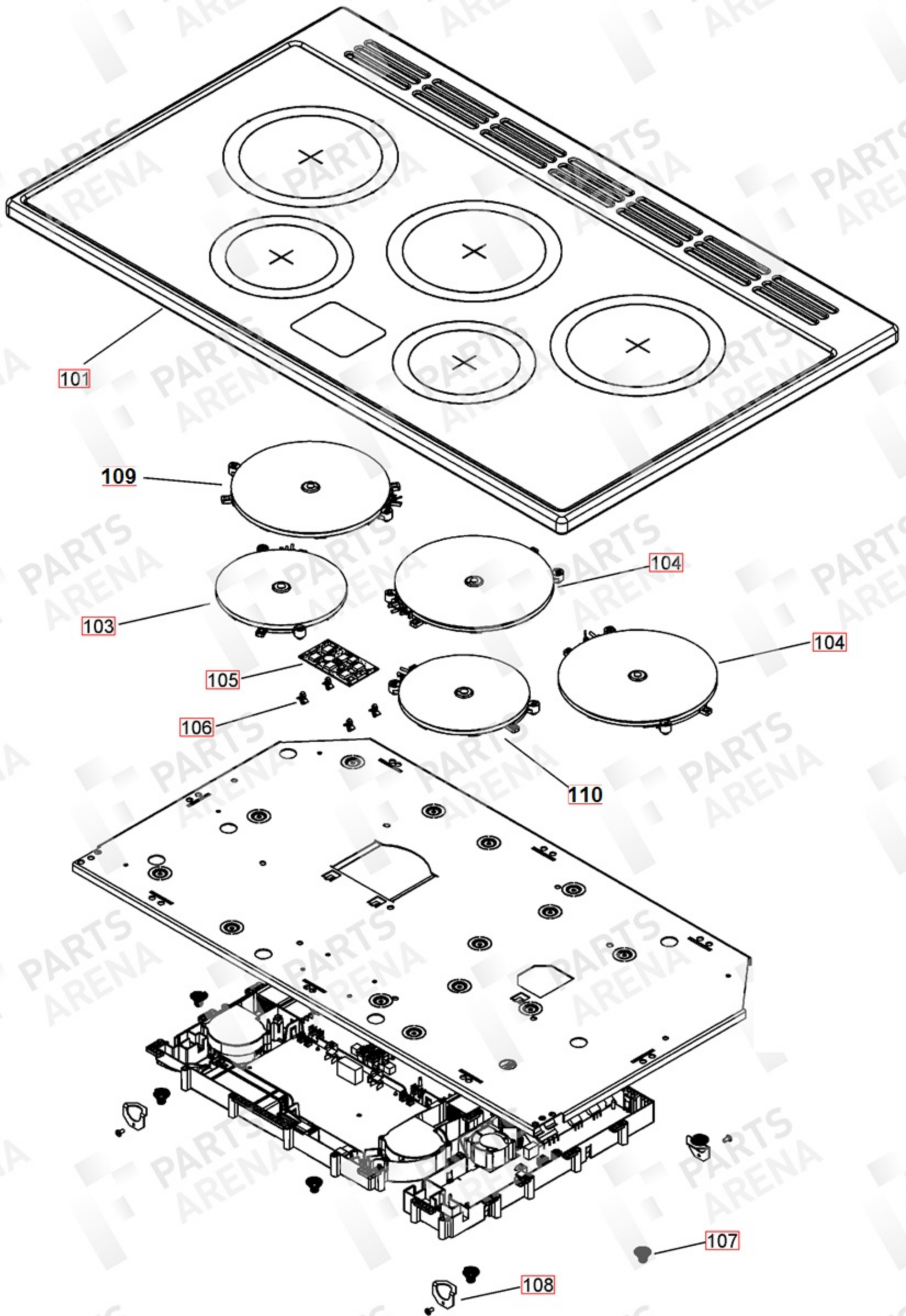
**FALCON / RANGEMASTER ENCORE
DL 90 INDUCTION GB / IE / FRANCE**

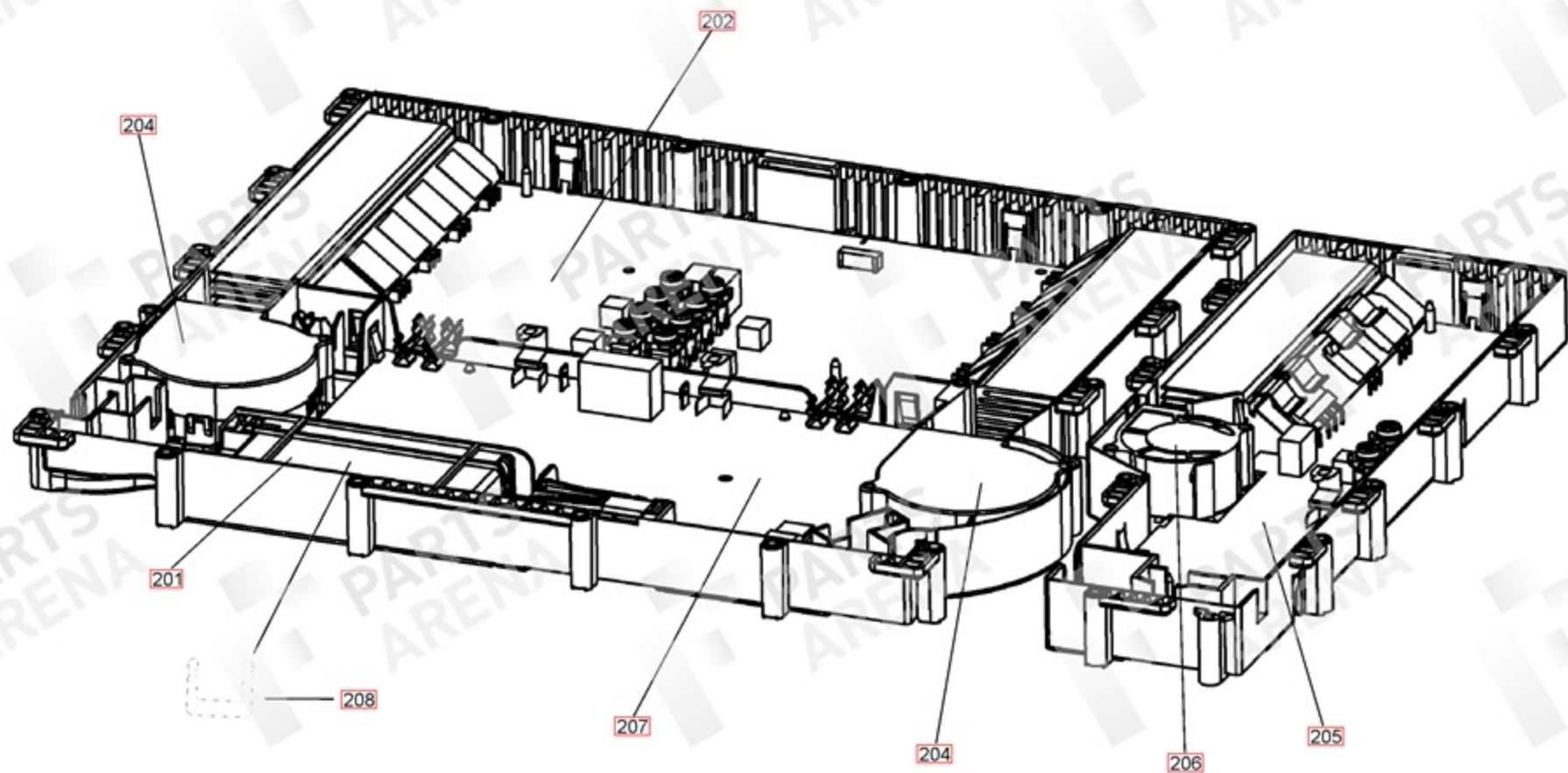
DATE 08.02.18

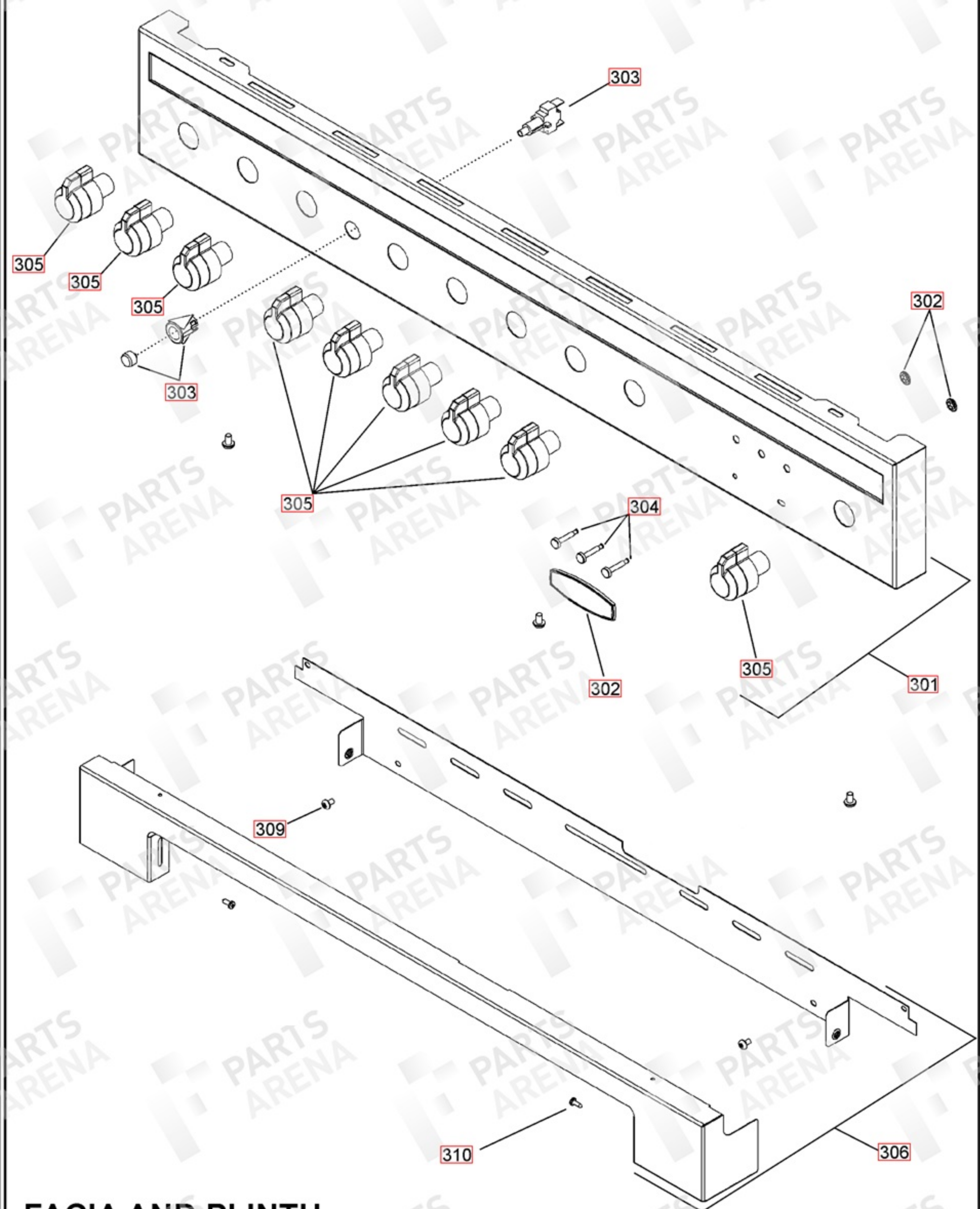
DSL0736 P00

ISSUE:02

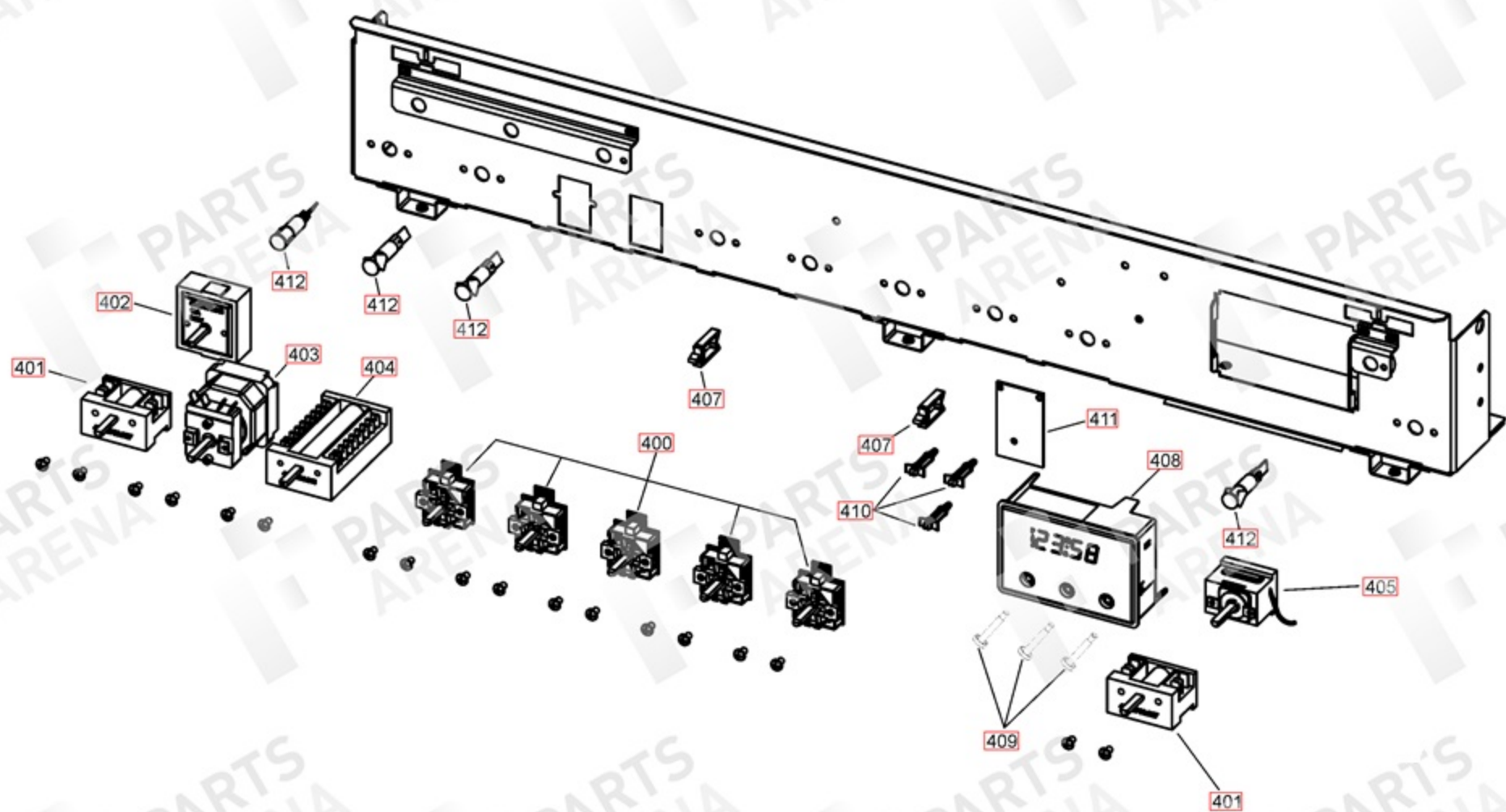


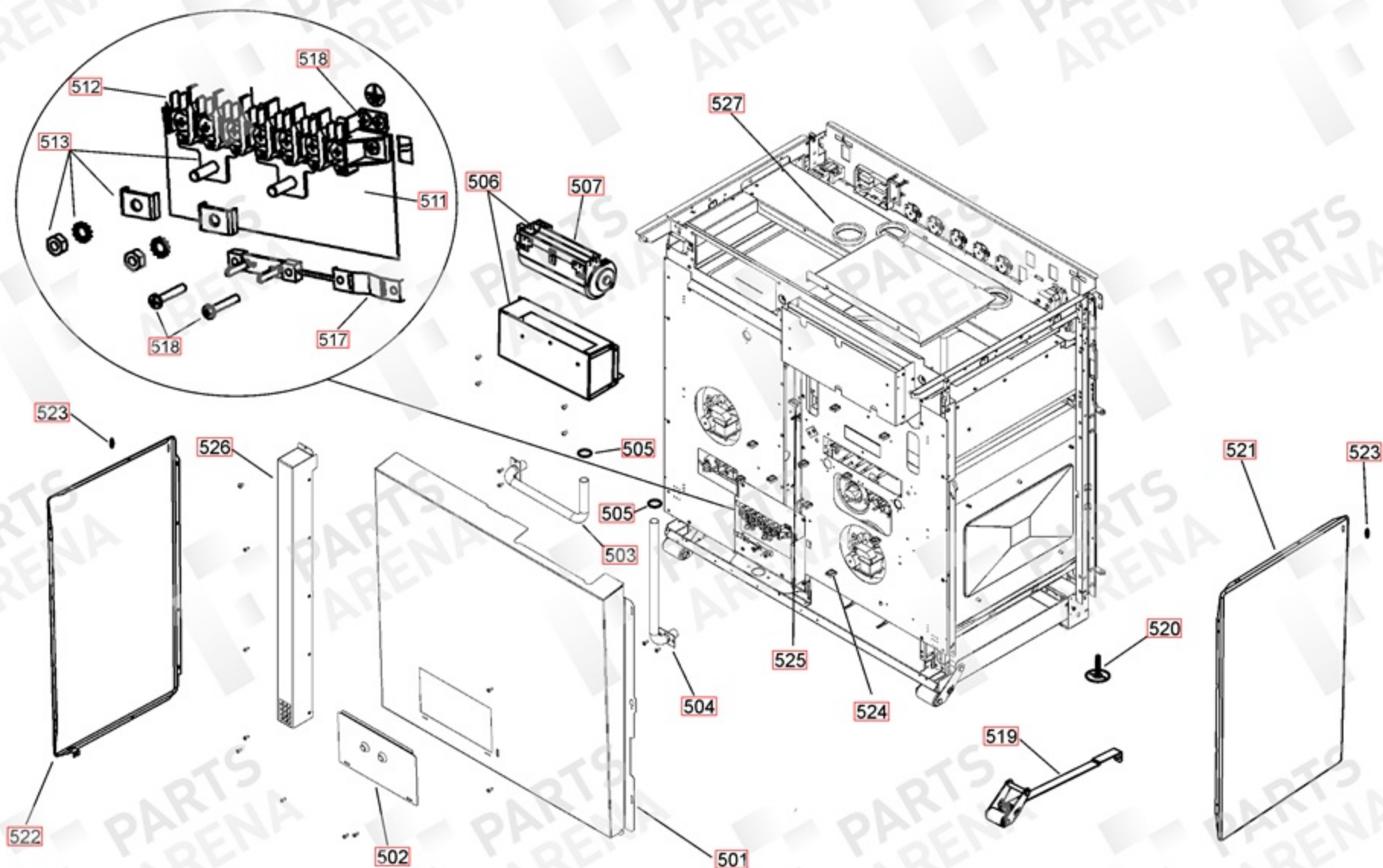


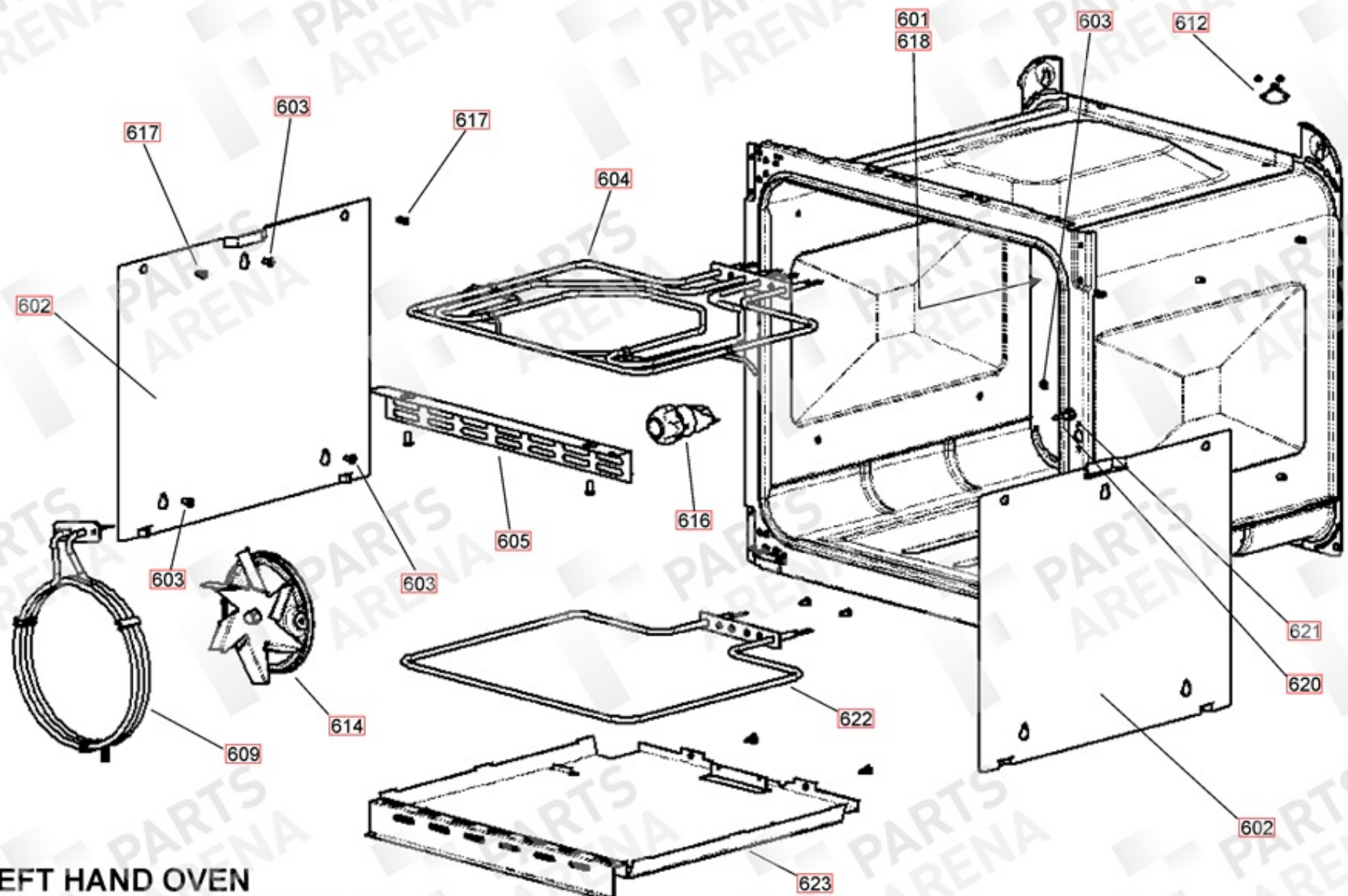




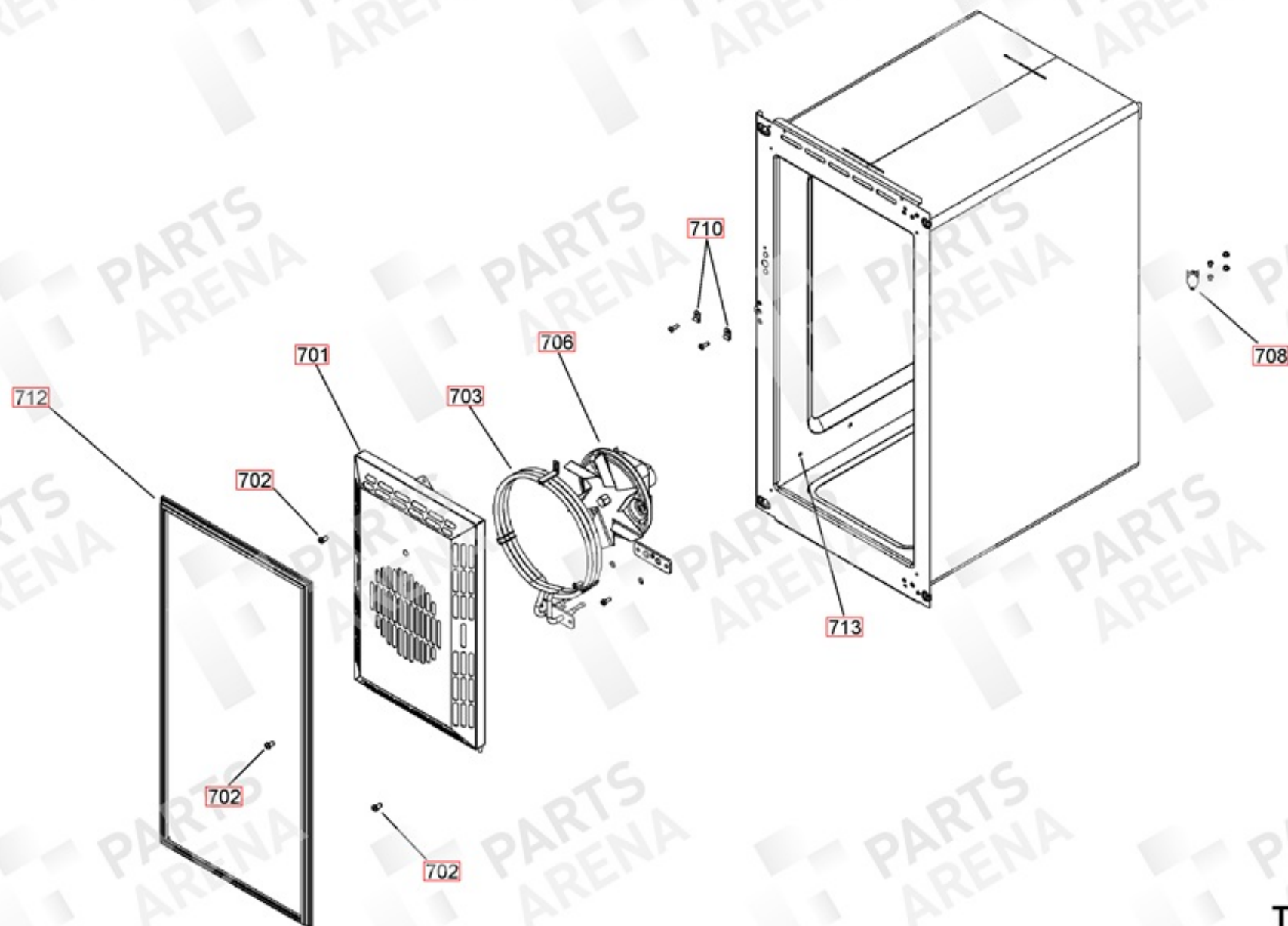
FACIA AND PLINTH

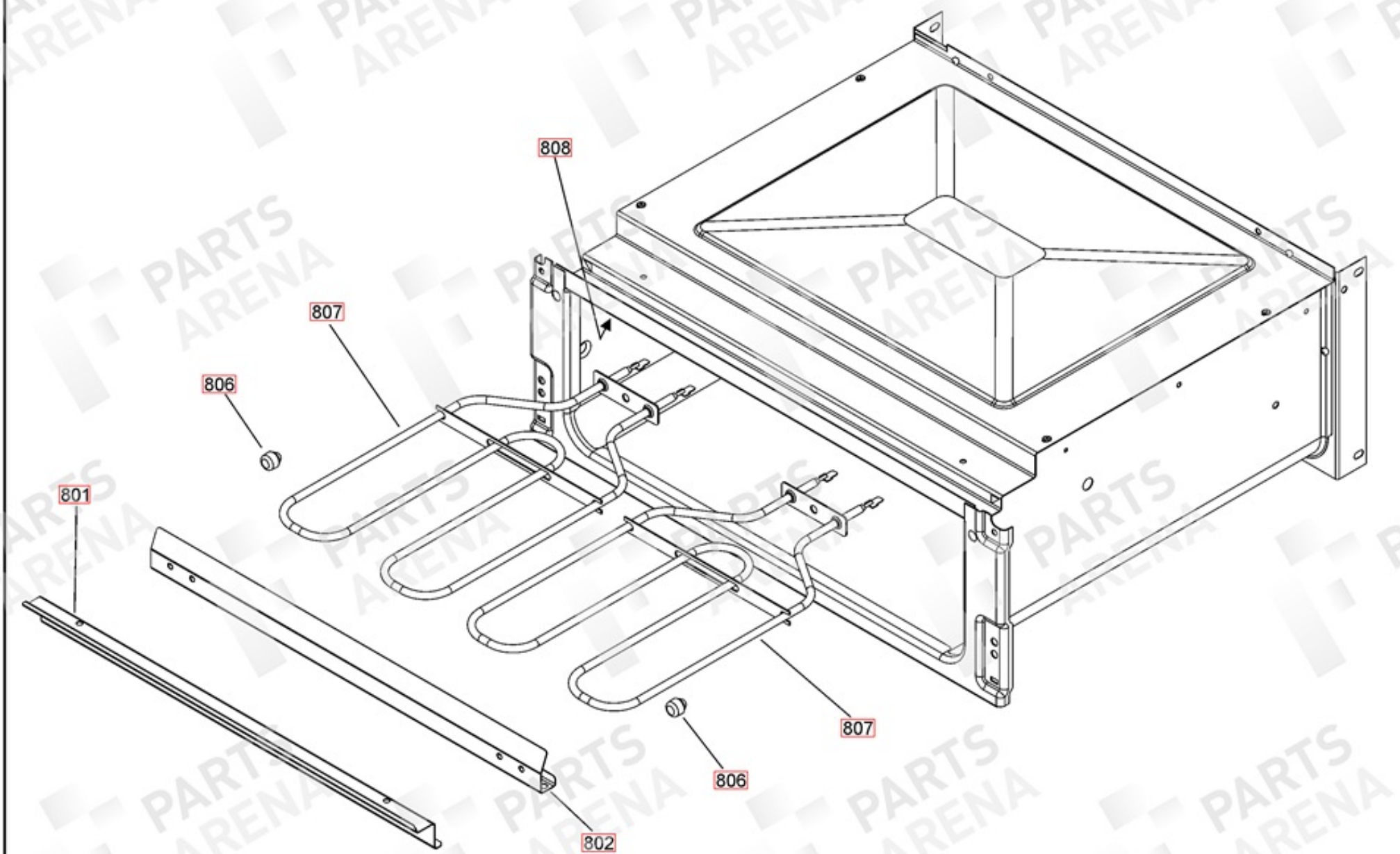




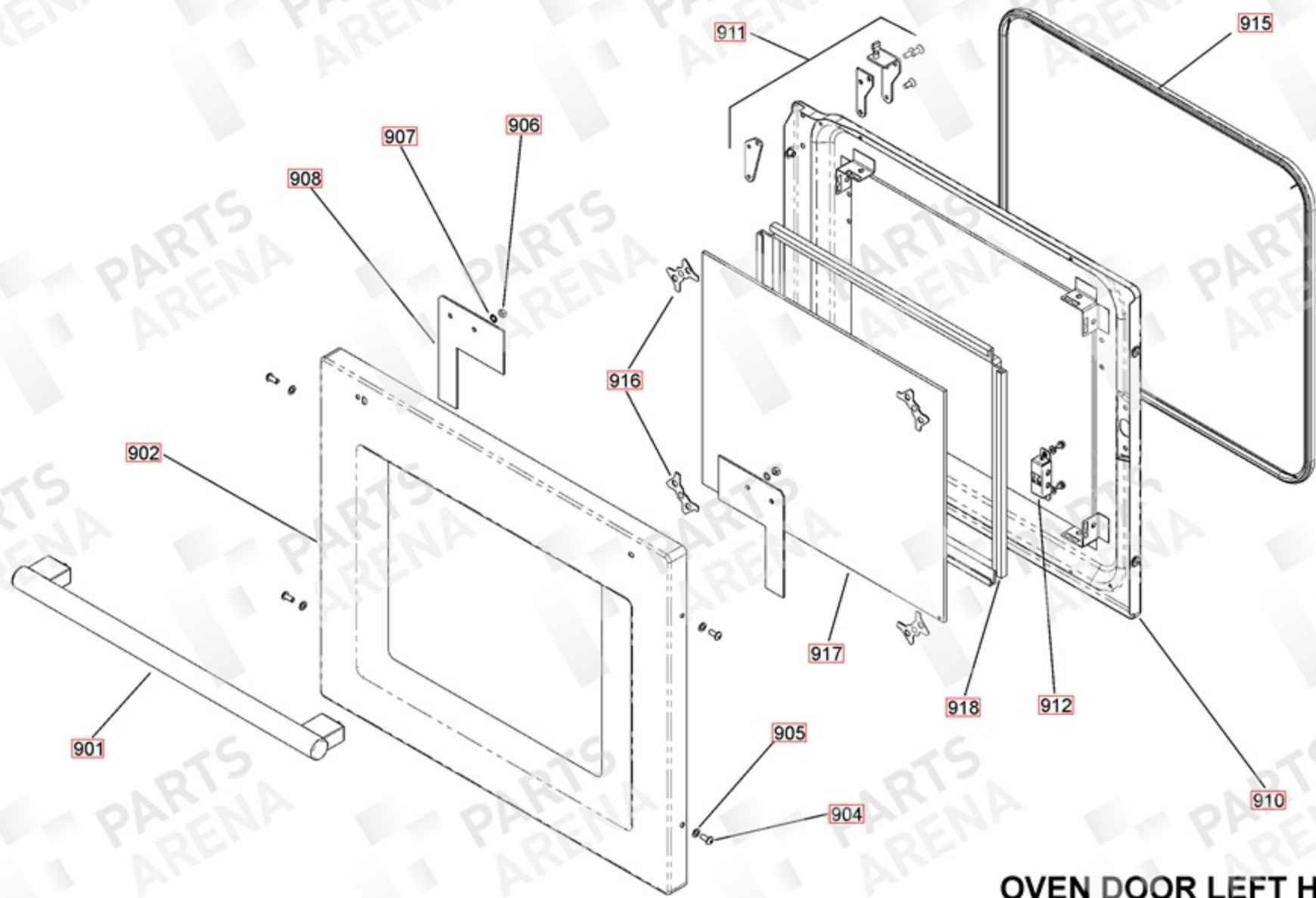


LEFT HAND OVEN
(MULTIFUNCTION- LIGHT)

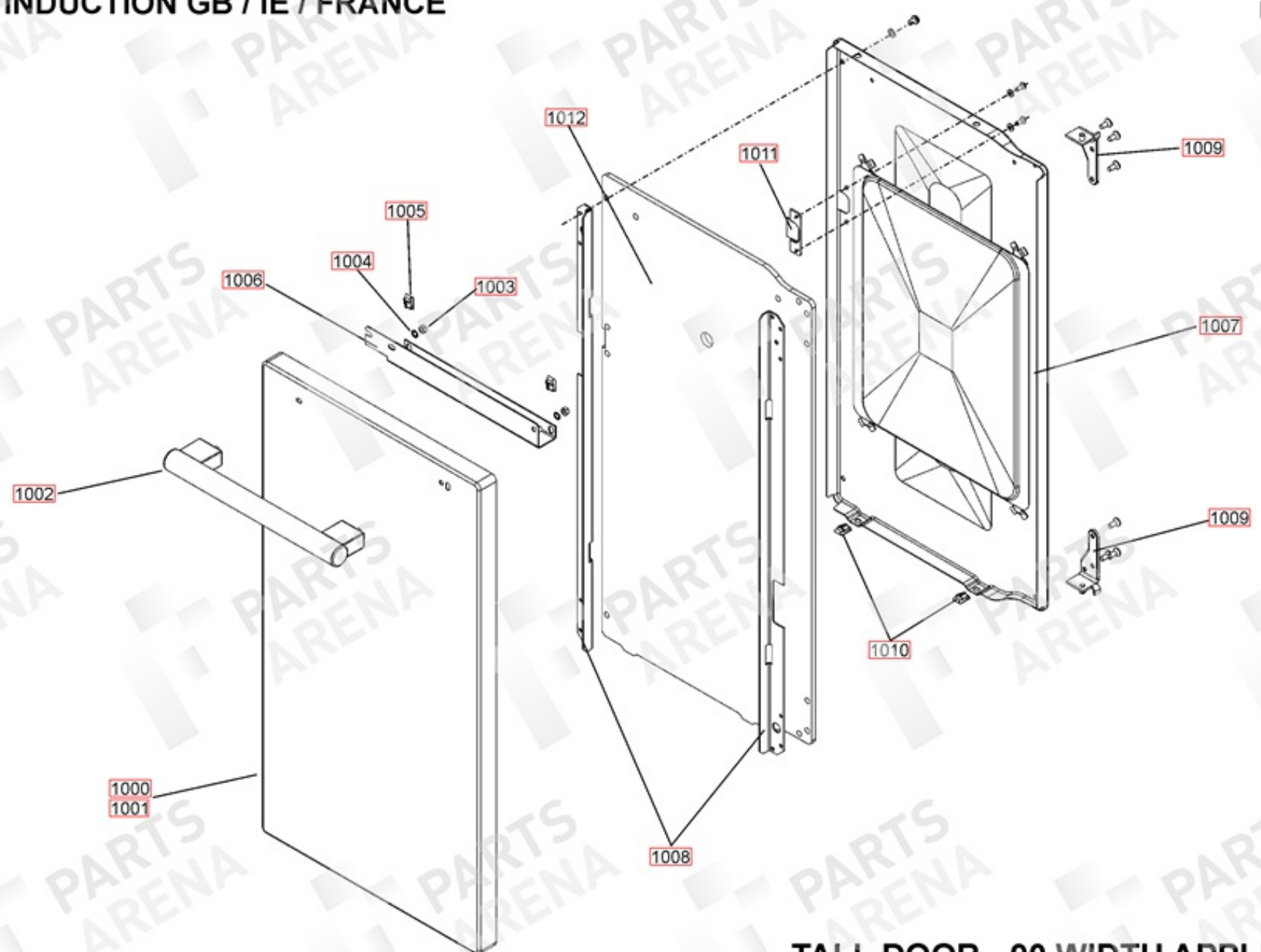




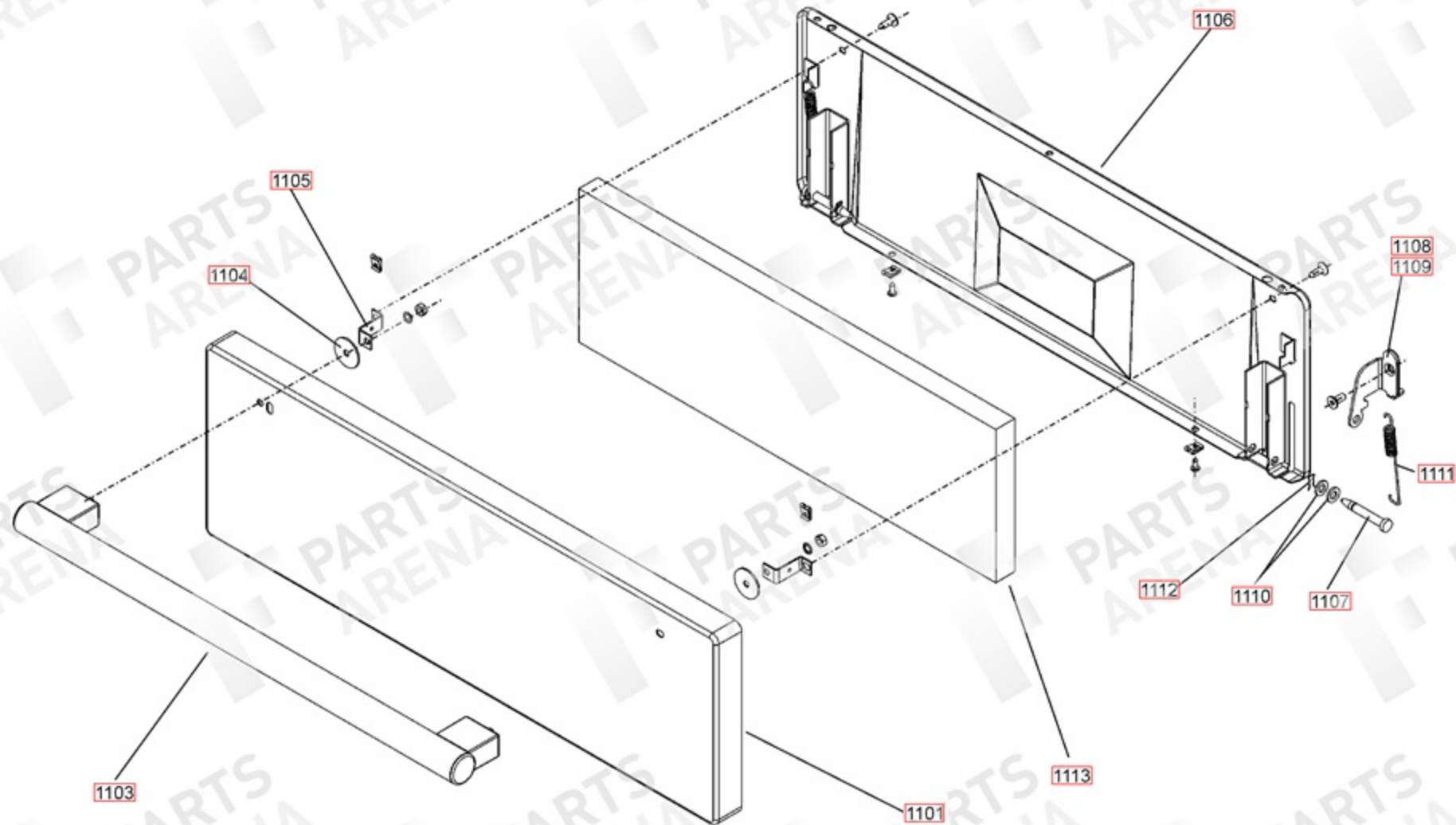
GRILL CHAMBER



OVEN DOOR LEFT HAND



TALL DOOR - 90 WIDTH APPLIANCE



1225
(TOP FIXING)

1221

1223

1222

1227

1228

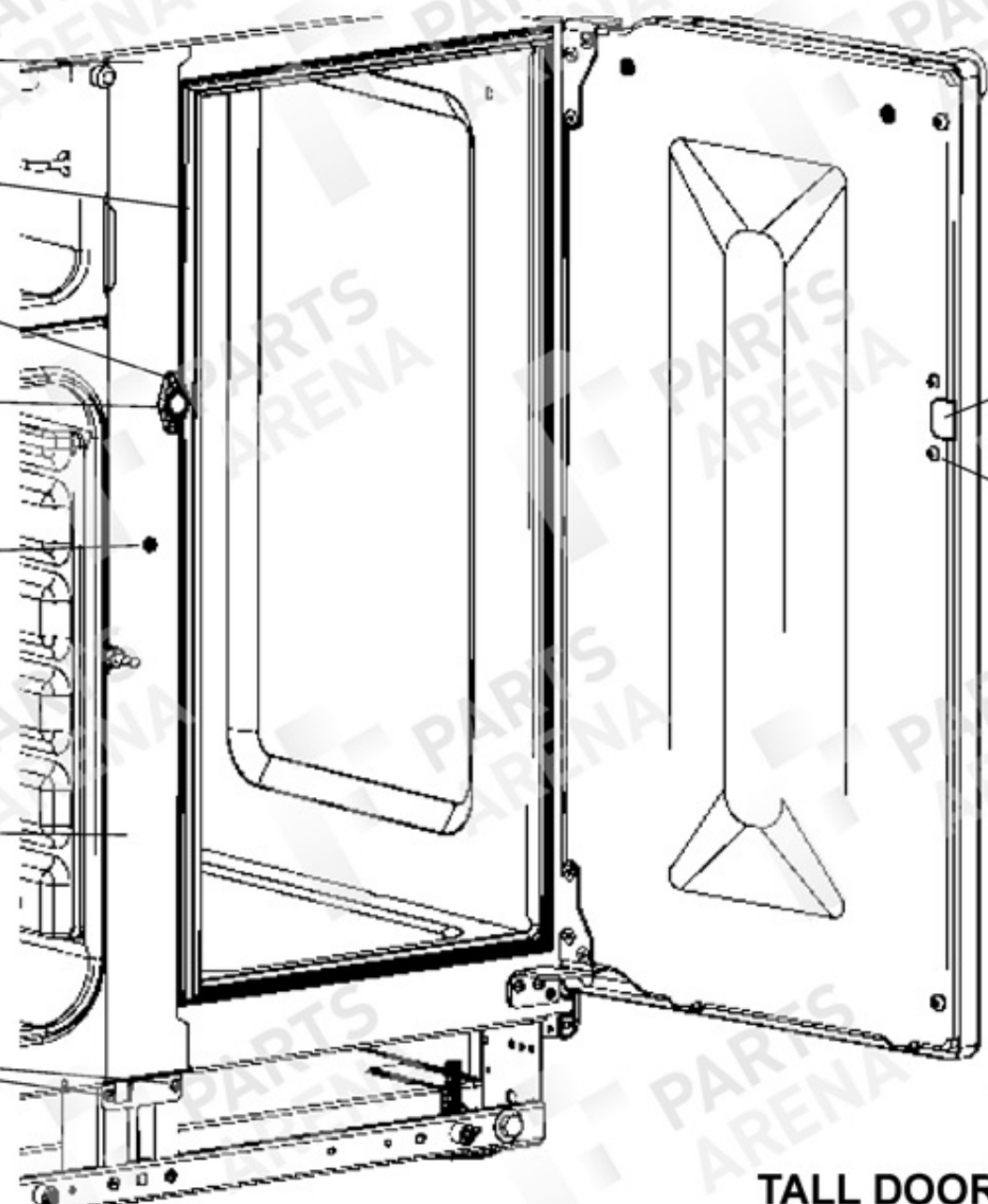
1224

1226

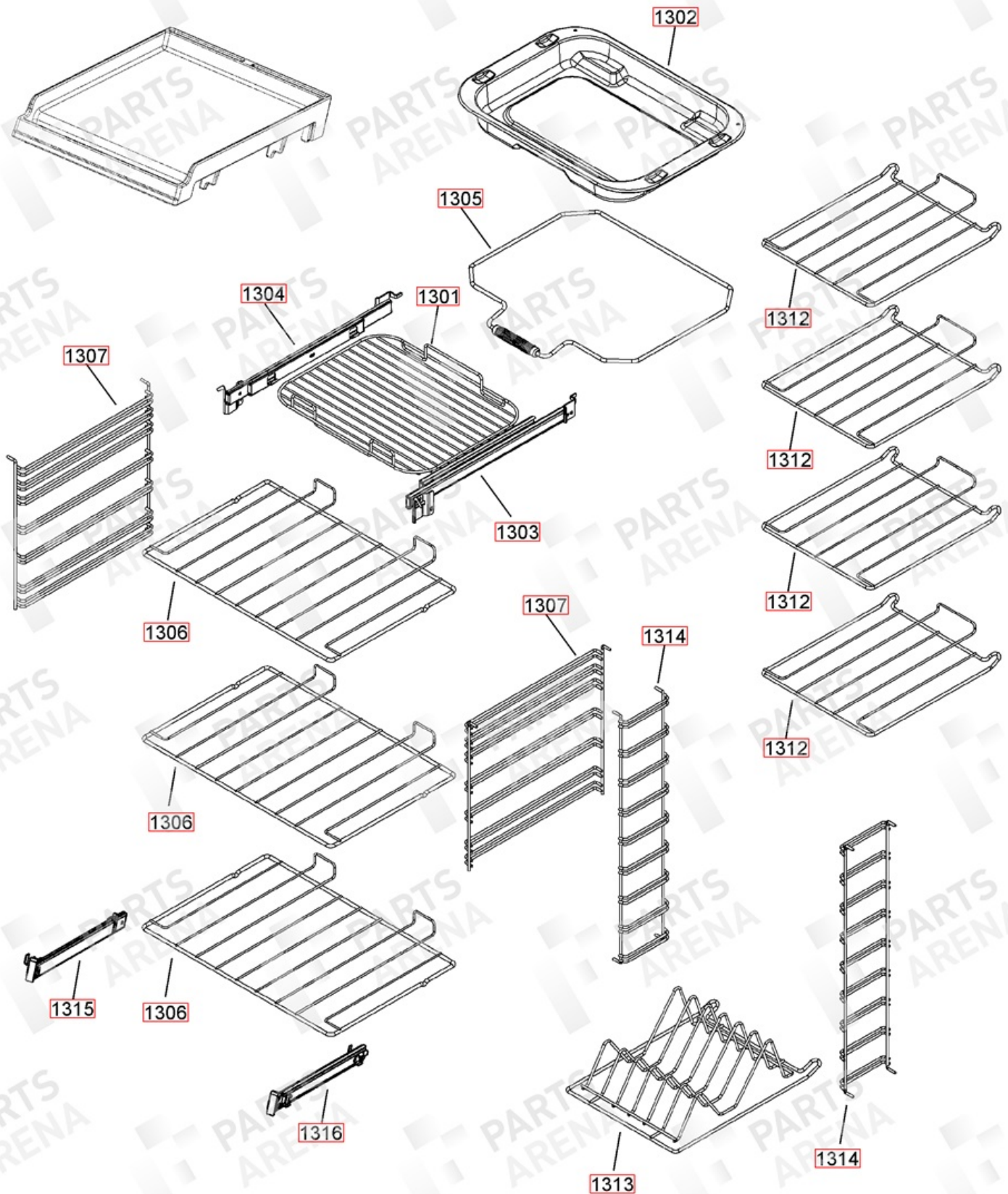
1201

1202

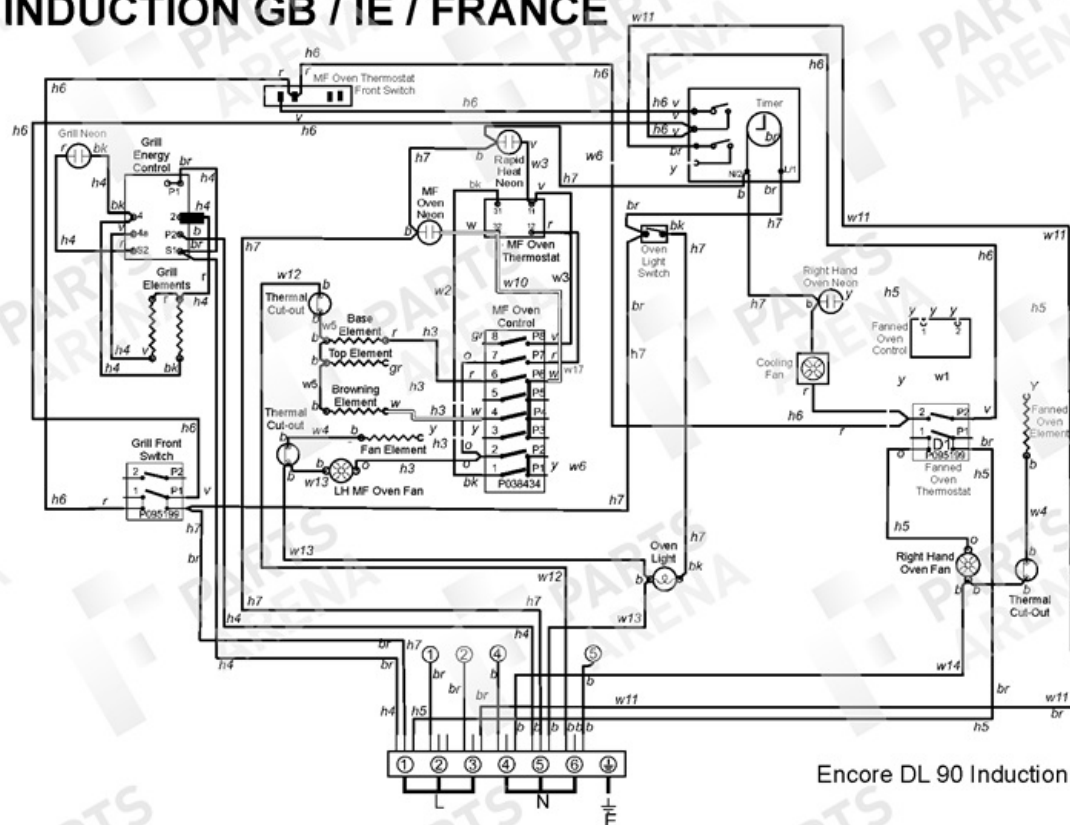
1203



TALL DOOR AND INFILL PLATE



ACCESSORIES



Encore DL 90 Induction

The connections shown in the circuit diagram are for single-phase. The ratings are for 230V 50Hz

Code	Description
A1	Grill front switch
A2	Grill energy control
A3	Grill elements
B1	Multi-function oven thermostat
B2	Multi-function oven control
B2a	Multi-function oven thermostat front switch
B3	Left-hand multi-function oven base element
B4	Left-hand multi-function oven top element (outer pair)
B5	Left-hand multi-function oven browning element (inner pair)
B6	Left-hand multi-function oven fan element
B7	Left-hand multi-function oven fan

Code	Description
C	Clock
D1	Right-hand fan oven thermostat
D2	Right-hand fan oven control
D3	Right-hand fan oven element
D4	Right-hand fan oven fan
F1	Cooling fan
F2	Oven light switch
G	Oven light
H	Thermal cut-out
I	Grill neon
I1	Multi-function oven neon
I2	Rapid heat-up neon
K	RH oven neon

Code	Colour
b	Blue
br	Brown
bk	Black
or	Orange
r	Red
v	Violet
w	White
y	Yellow
g/y	Green/yellow
gr	Grey

Ref N°	Part N°	Colour	Quantity	Description
w1	P037863	y	1	WIRE ASSEMBLY - STAT TO SWITCH LINK
w2	P038186	bk	1	LINK MF SWITCH TO STAT
w3	P064457	v	1	WIRE ASSY VIOLET - MF OVEN NEON LINK
w4	P040066	b	2	WIRE ASSY - TRIP TO ELEMENTS NEUTRAL LINKS
w5	P040694	b	1	WIRE ASSY (NEUTRAL BLUE DAISY)
w6	P048632	y	1	YELLOW LINK TIMER LH OVEN SWITCH
h1	P051839	br/b/g/y	1	HOB SUPPLY HARNESS , MALE BULKHEAD CONNECTOR
w7	P052073	g/y	1	NI - HARNESS - EARTH IND. UNIT / CHASSIS
h2	P064446	br/b	1	HARNESS - MAINS TERMINAL / CONNECTOR
h3	P064444	r/or/y/w/gr	1	HARNESS - MF OVEN RAPID HEAT
h4	P064445	r/b/b/v/br	1	HARNESS - GRILL
w8	P065374	g/y	2	NI - WIRE ASSEMBLY - GRILL EARTHS LINKS
h5	P064454	or/br/y	1	FANNED OVEN HARNESS
w9	P094943	g/y	1	NI - WIRE ASSEMBLY - OVEN STAT EARTH LINK
w10	P064455	w	1	WIRE ASSEMBLY
h6	P064447	r/v	1	HARNESS - COOLING FAN
w11	P064448	br	1	BROWN LINK - TB TO TIMER RELAY
w12	P094947	b	1	WIRE ASSEMBLY
w13	P043964	b	1	WIRE 3 LINK RETURN LH OVEN
h7	P065787	br/b/bk	1	HARNESS AUX RAPID TALL
w14	P095443	b	1	WIRE ASSY - NEUTRAL
w15	P033677	g/y	1	NI - WIRE ASSY - EARTH
w16	P027672	g/y	1	NI - WIRE ASSY - EARTH
w17	P094951	r	1	WIRE ASSY - STAT TO SWITCH LINK