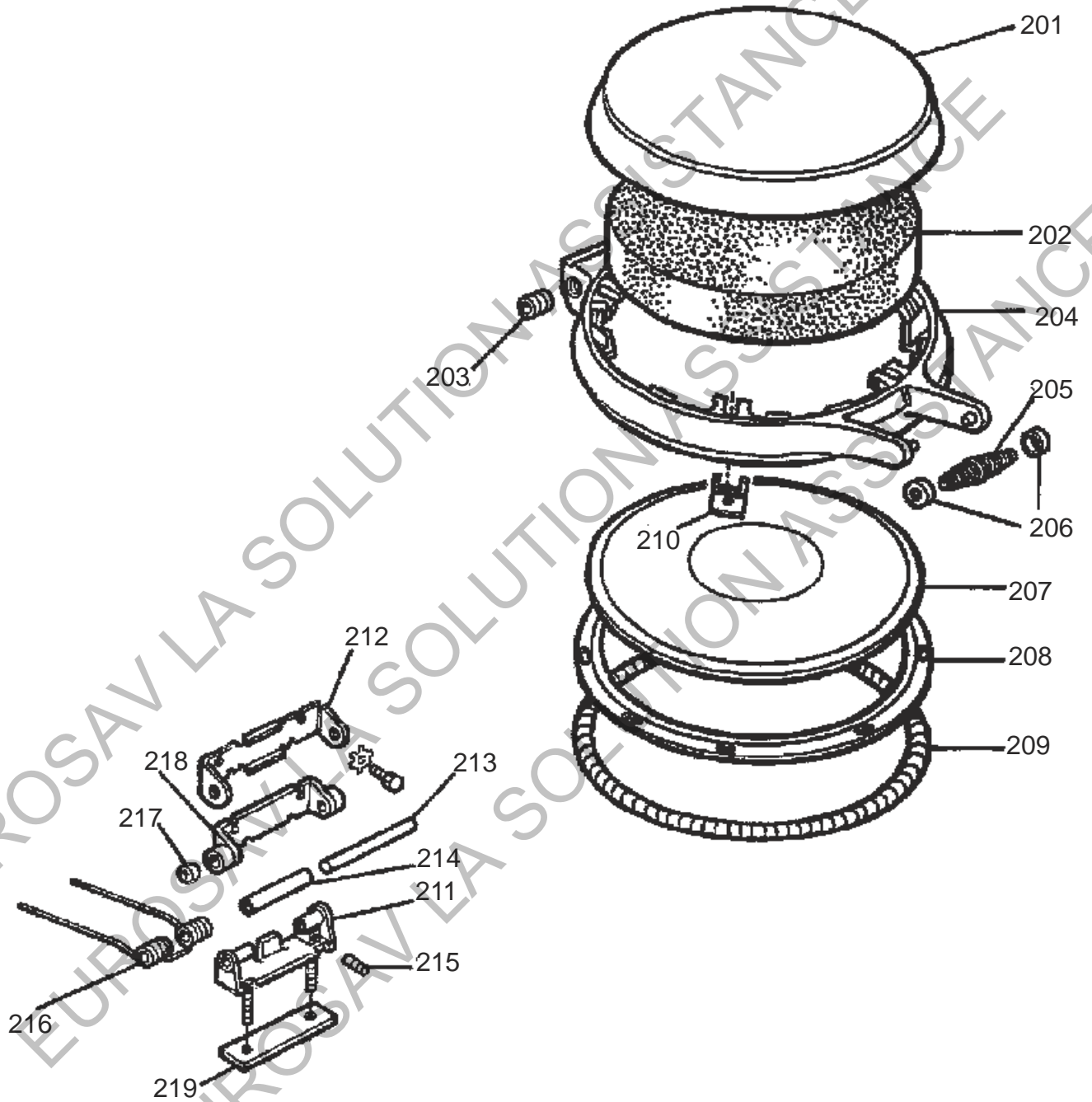
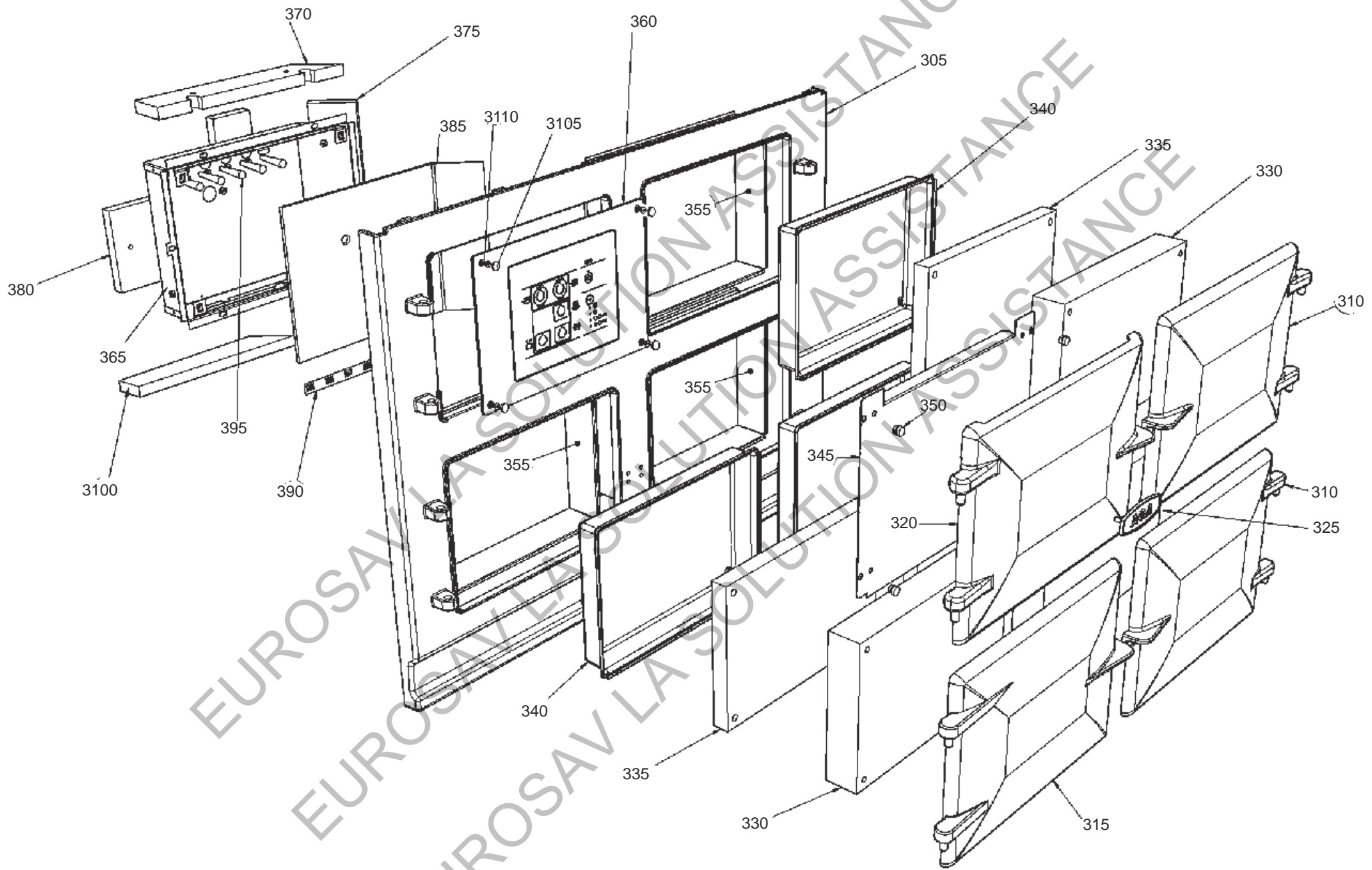
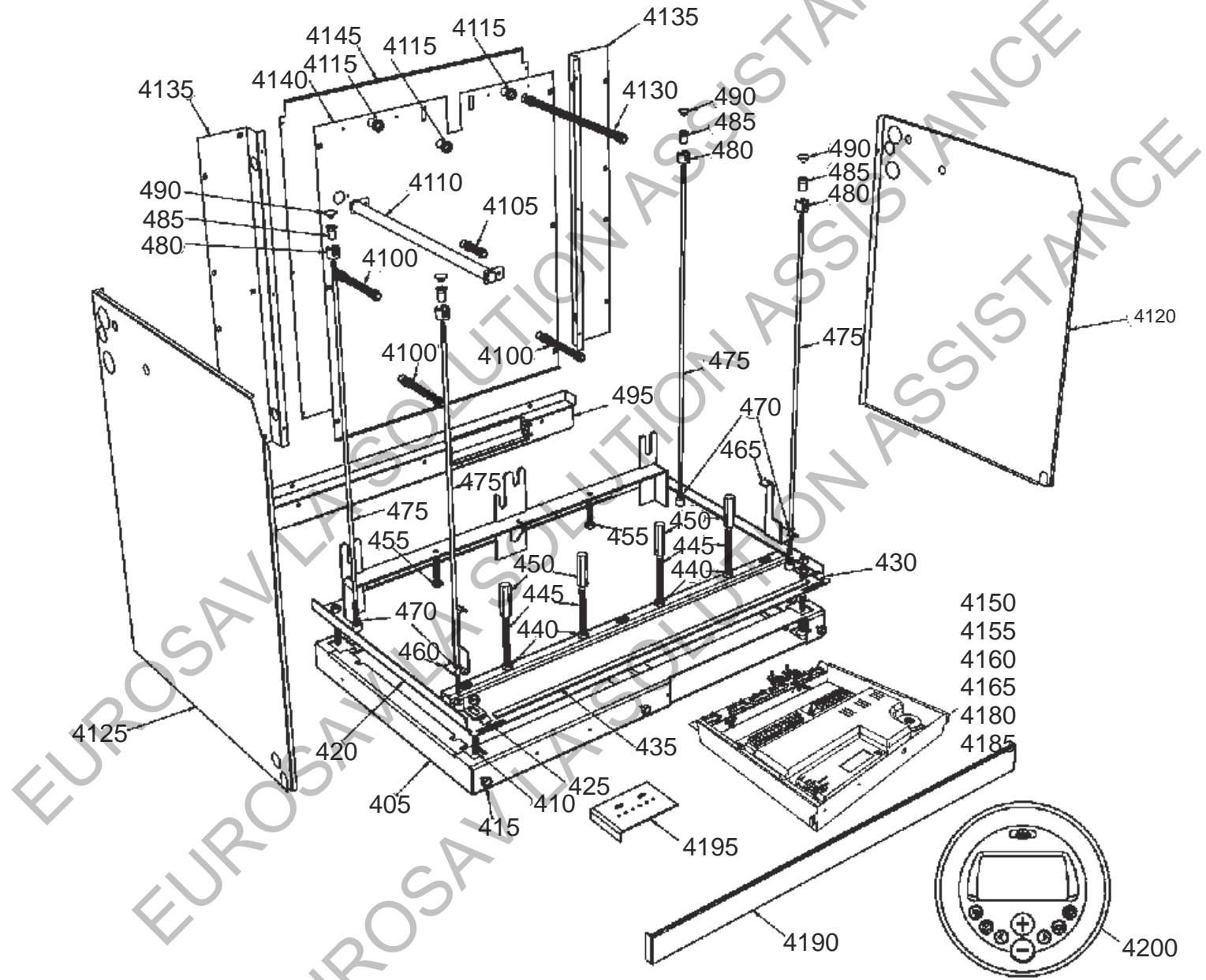


TOP PLATE AND INSULATING DOMES

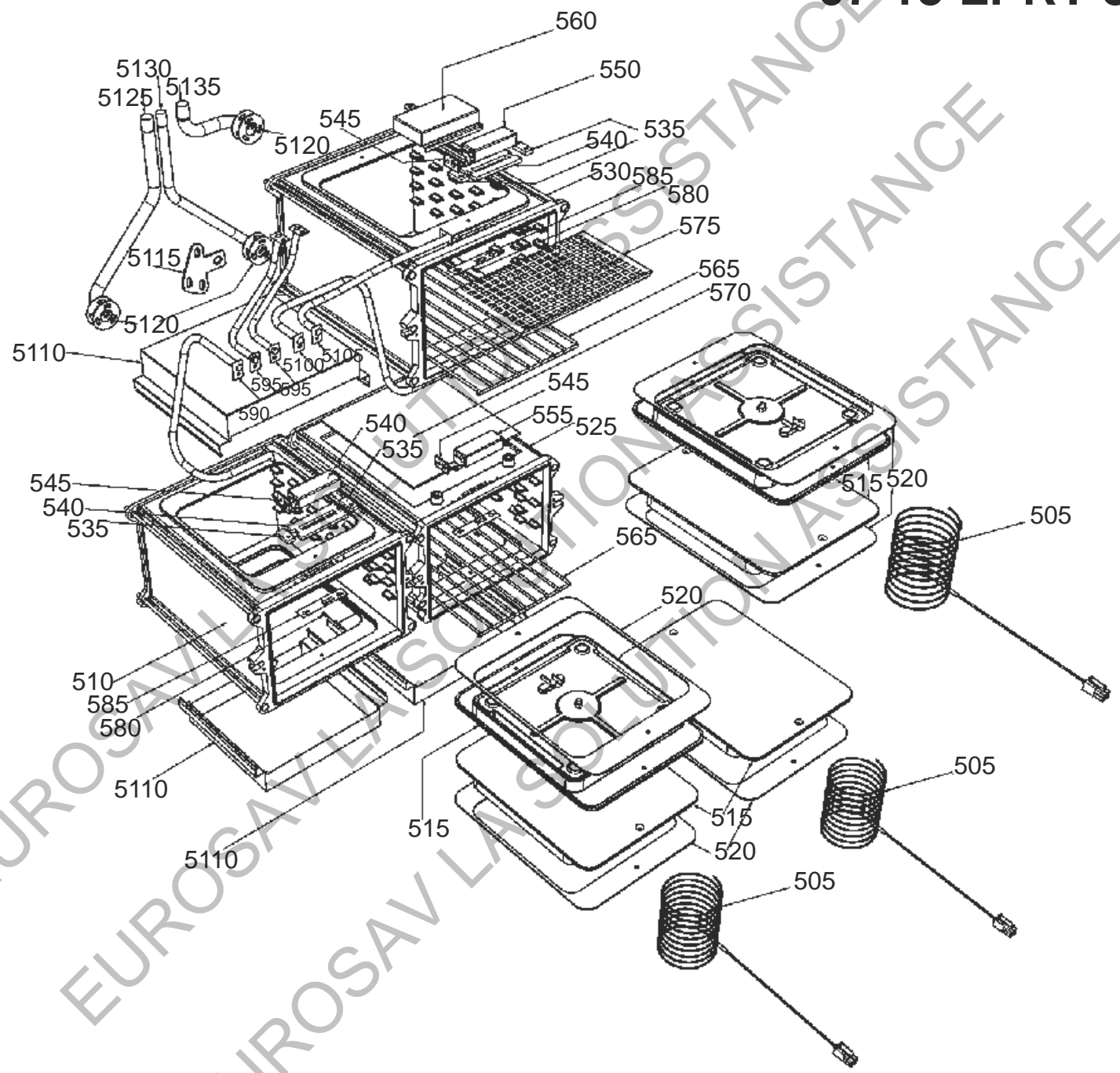


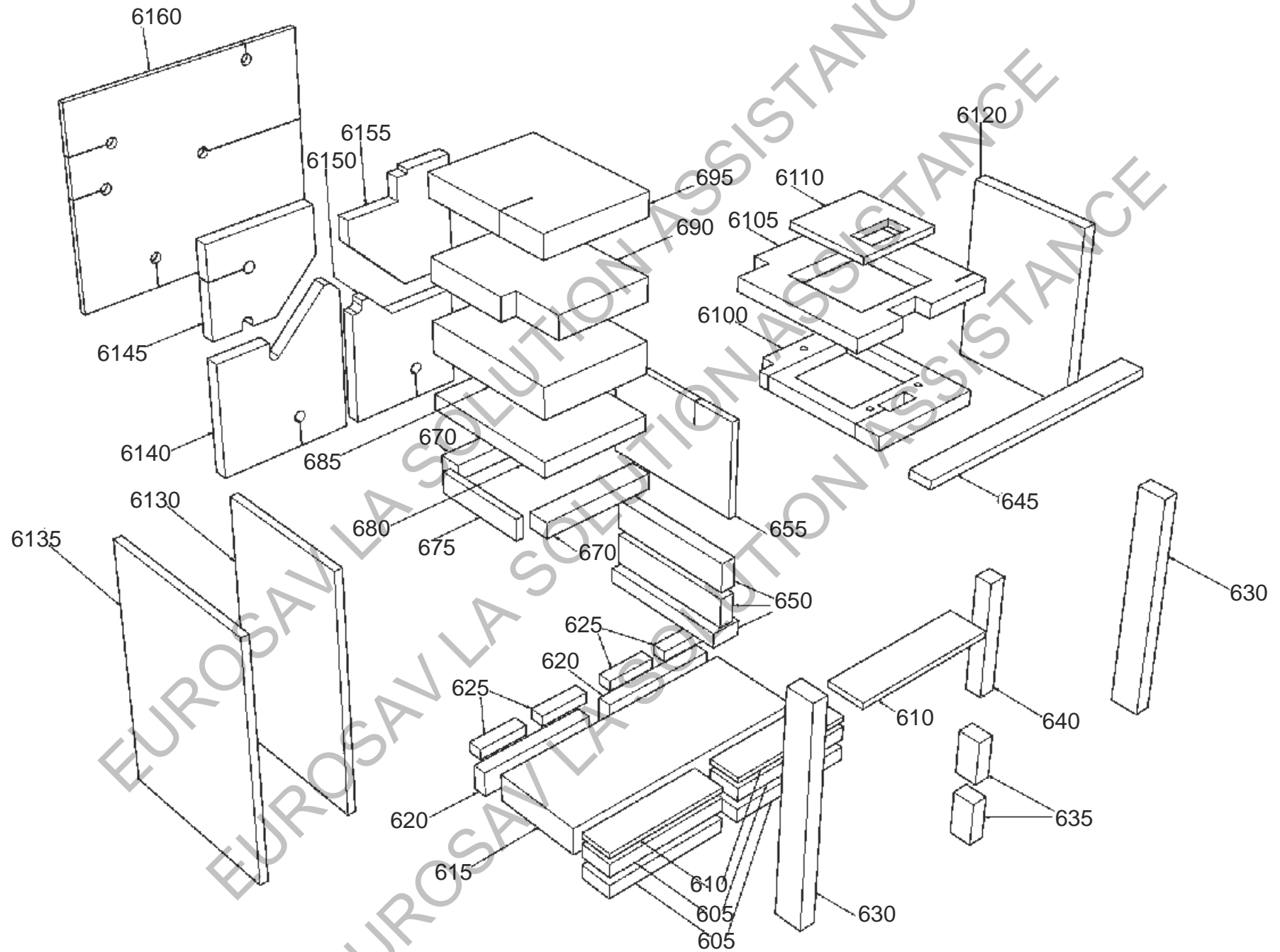


FRONT PLATE AND DOORS



PLINTH, BASE, SIDES AND BACK





INSULATION

701



MAINS CABLE
AE4M280216
CAT NO. A5788

707



BAKING OVEN BOTTOM ELEMENT WIRING LOOM
AE4M280188
CAT NO. A5862

702



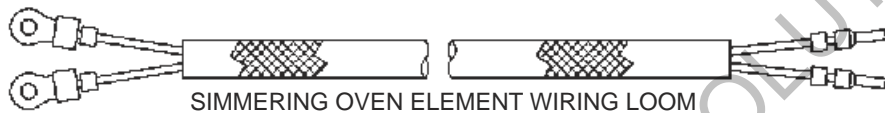
COMMUNICATION CABLE WIRING LOOM
AE4M280733
CAT NO. AE4M280733

708



BOILING PLATE ELEMENT LOOM
AE4M280189
CAT NO. A5829

703



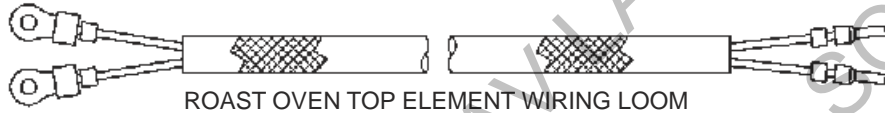
SIMMERING OVEN ELEMENT WIRING LOOM
AE4M280131
CAT NO. A5954

709



SIMMERING PLATE ELEMENT WIRING LOOM
AE4M280190
CAT NO. A5830

704



ROAST OVEN TOP ELEMENT WIRING LOOM
AE4M280185
CAT NO. A5955

710



CONTROL TRAY EARTH
AE4M280145
CAT. AE4M280145

705



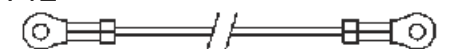
ROAST OVEN BOTTOM ELEMENT WIRING LOOM
AE4M280186
CAT NO. A5956

711



BOILING/SIMMERING PLATE EARTH
AE4M280143
CAT NO. NCA

712



TOUCH PLATE EARTH
AE4M280182
CAT NO. NCA

706



BAKING OVEN TOP ELEMENT WIRING LOOM
AE4M280187
CAT NO. A5957