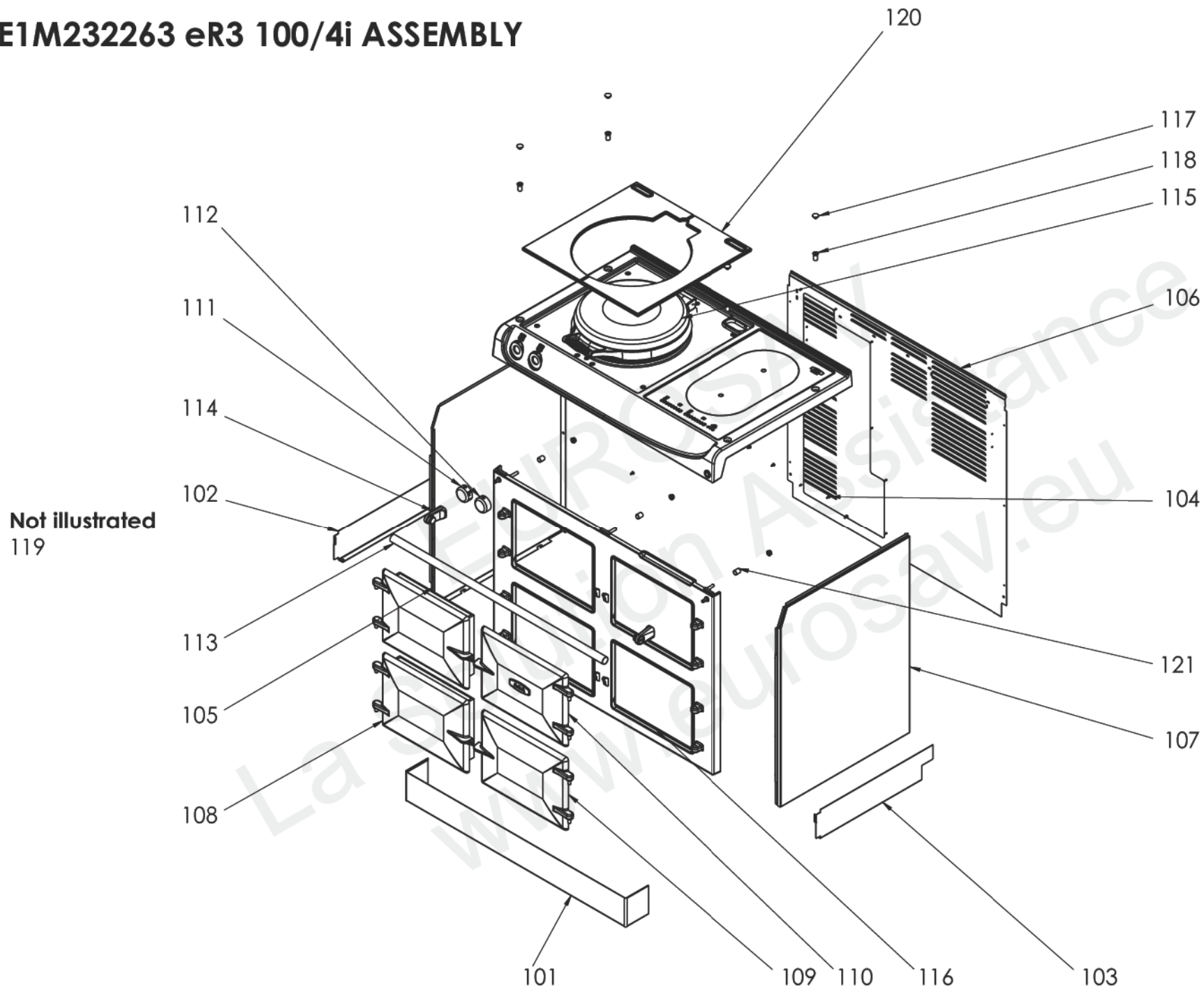


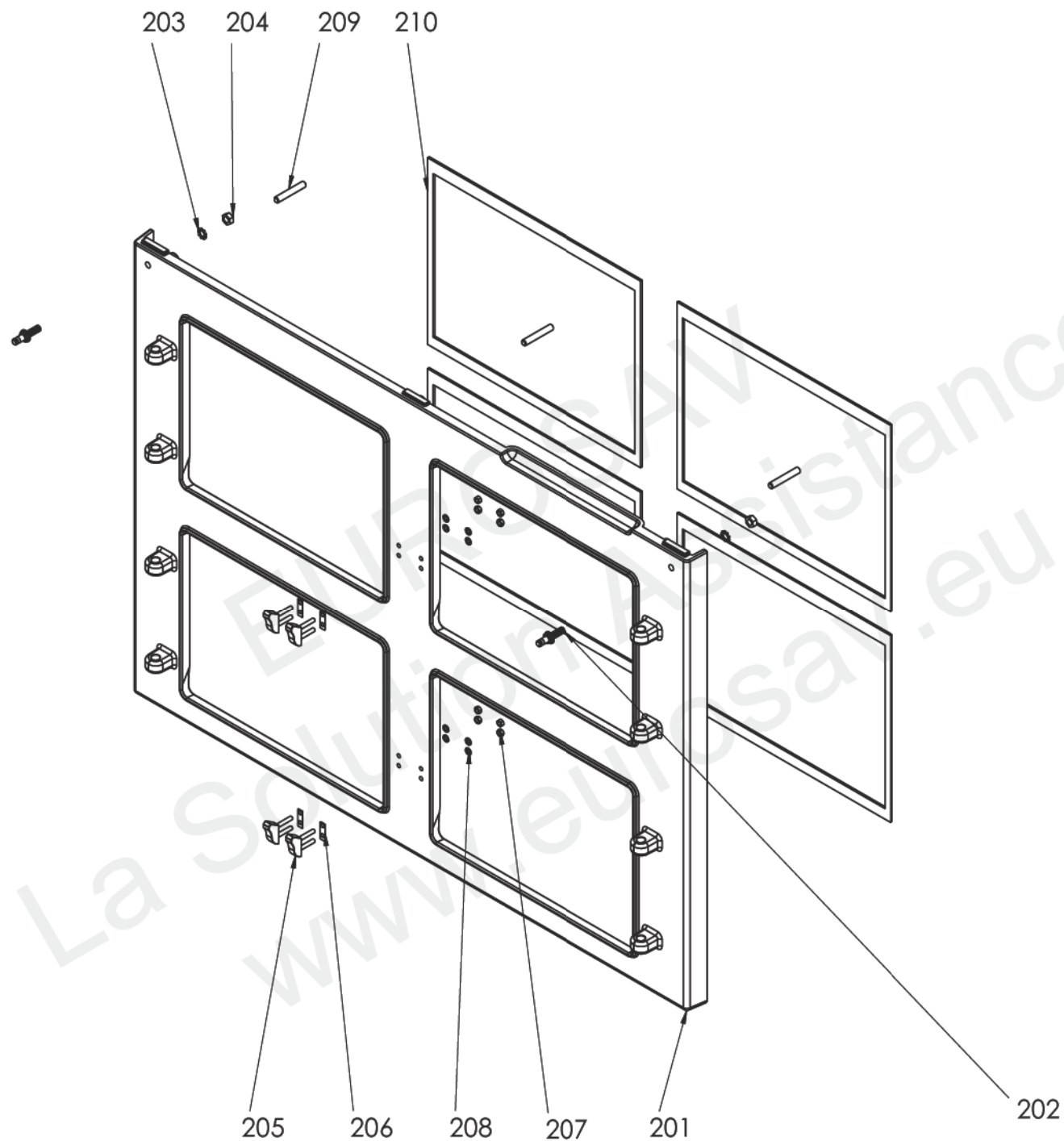
# AE1M232263 eR3 100/4i ASSEMBLY

SPAR680002 P01  
232262  
232263



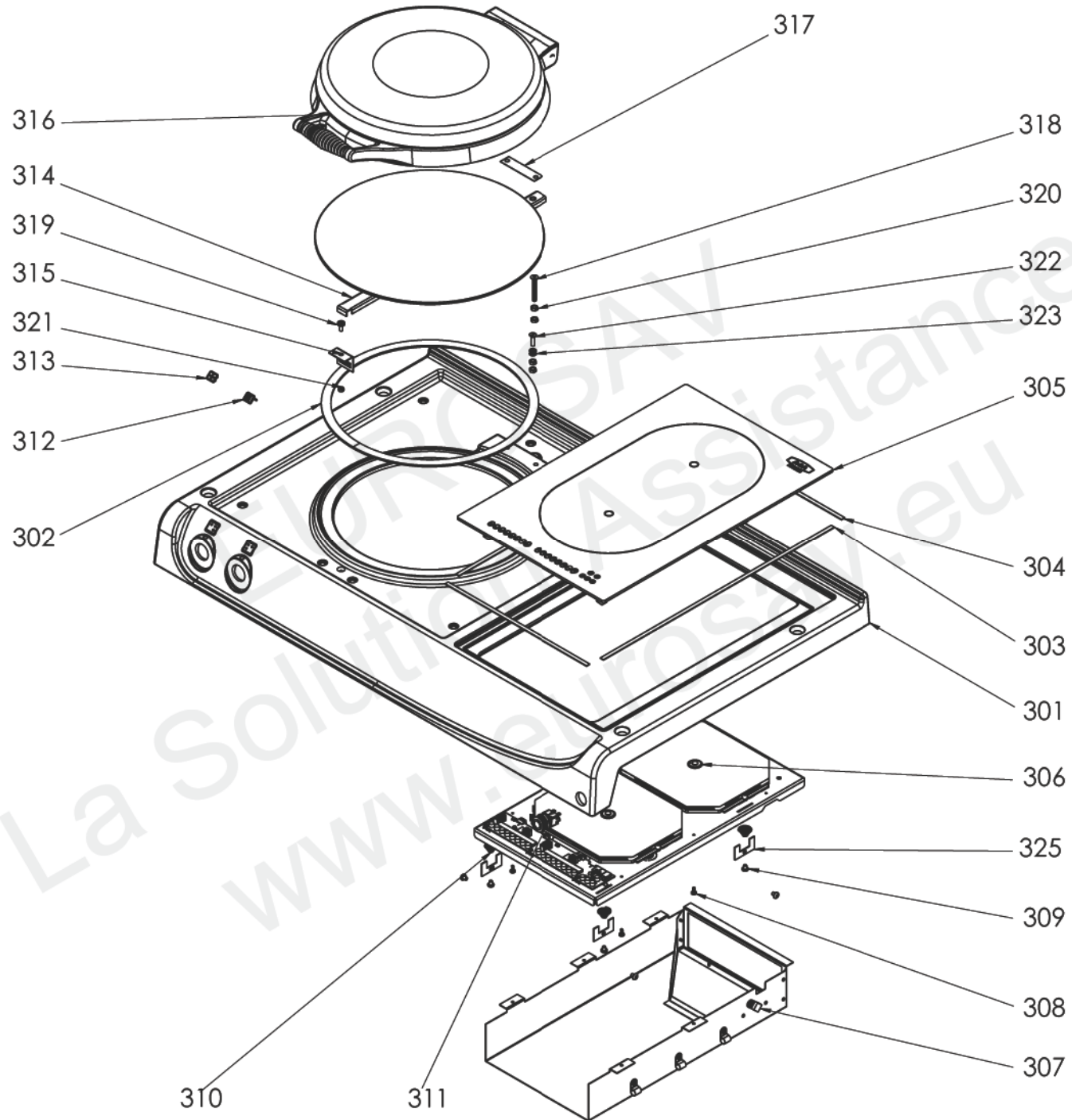
eR3 100

SPAR680002 P02  
232262  
232263



# AE1M232294 eR3 100/4i TOP PLATE ASSEMBLY

SPAR680002 P03  
232262  
232263



Not illustrated  
324

# AE1M232270 eR3 100/4 TOP PLATE ASSEMBLY (WARMING PLATE VARIATION)

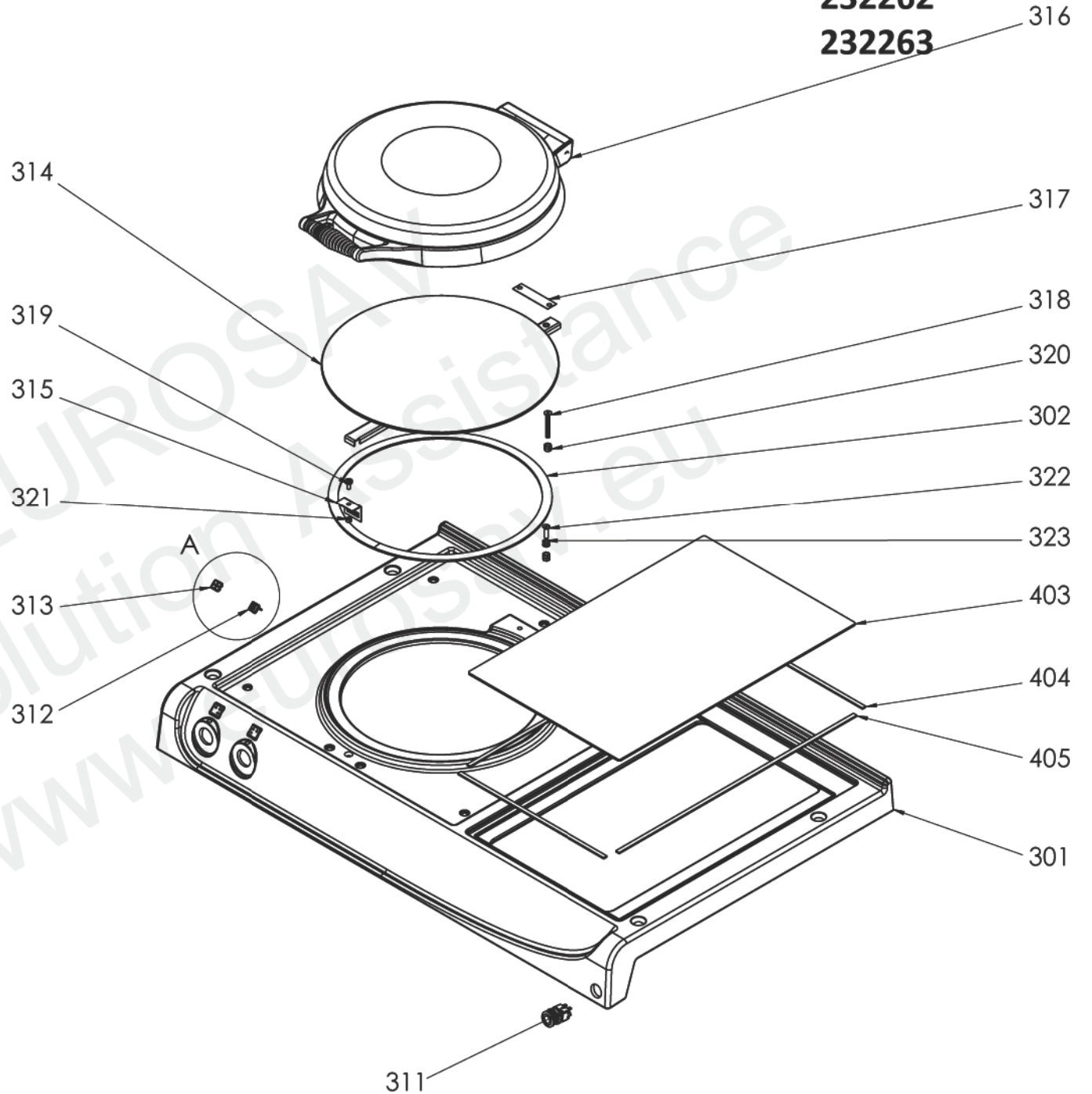
SPAR680002 P04  
232262  
232263



DETAIL A

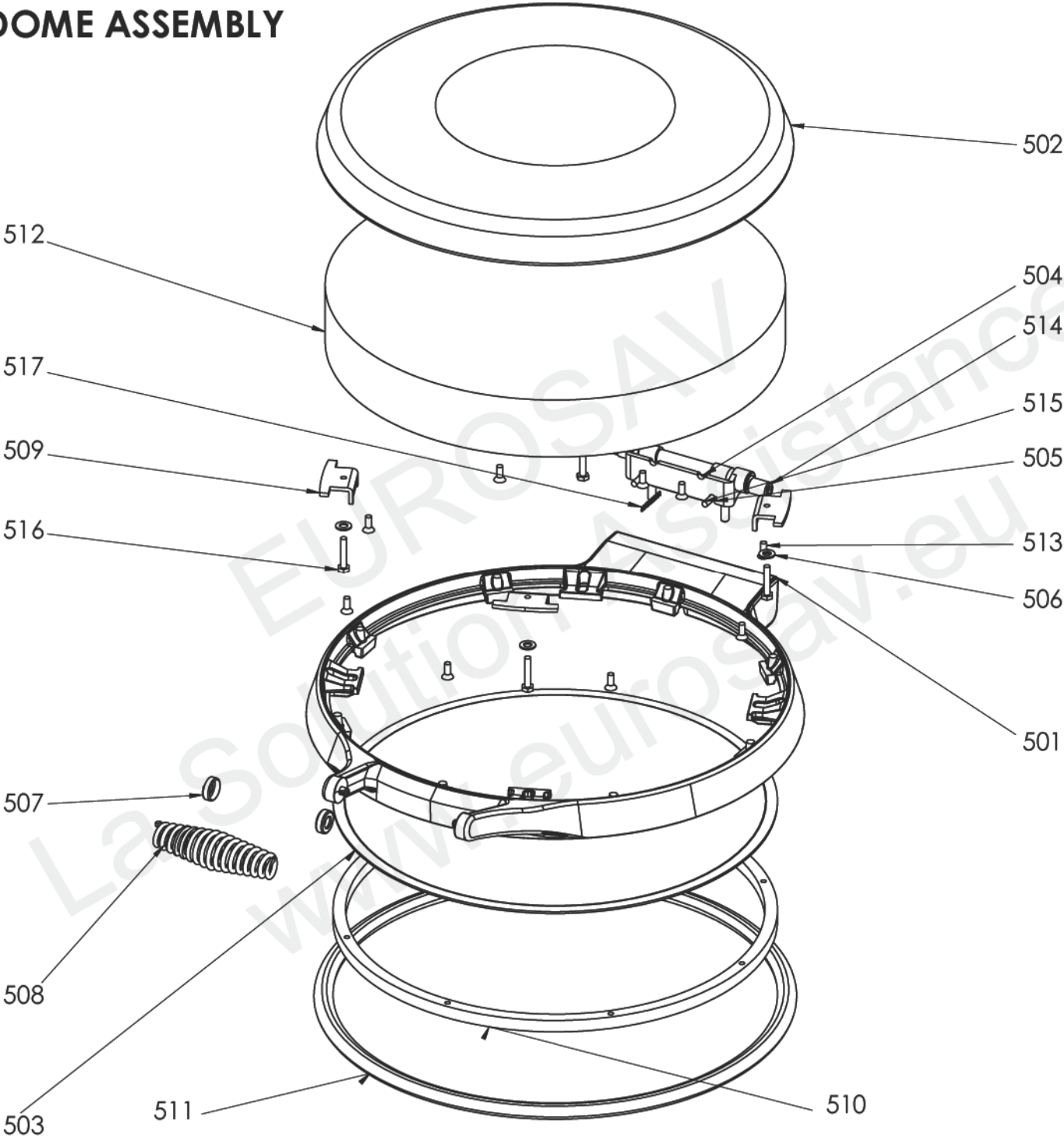


Not illustrated  
324



# AG1M212167 DOME ASSEMBLY

SPAR680002 P05  
232262  
232263



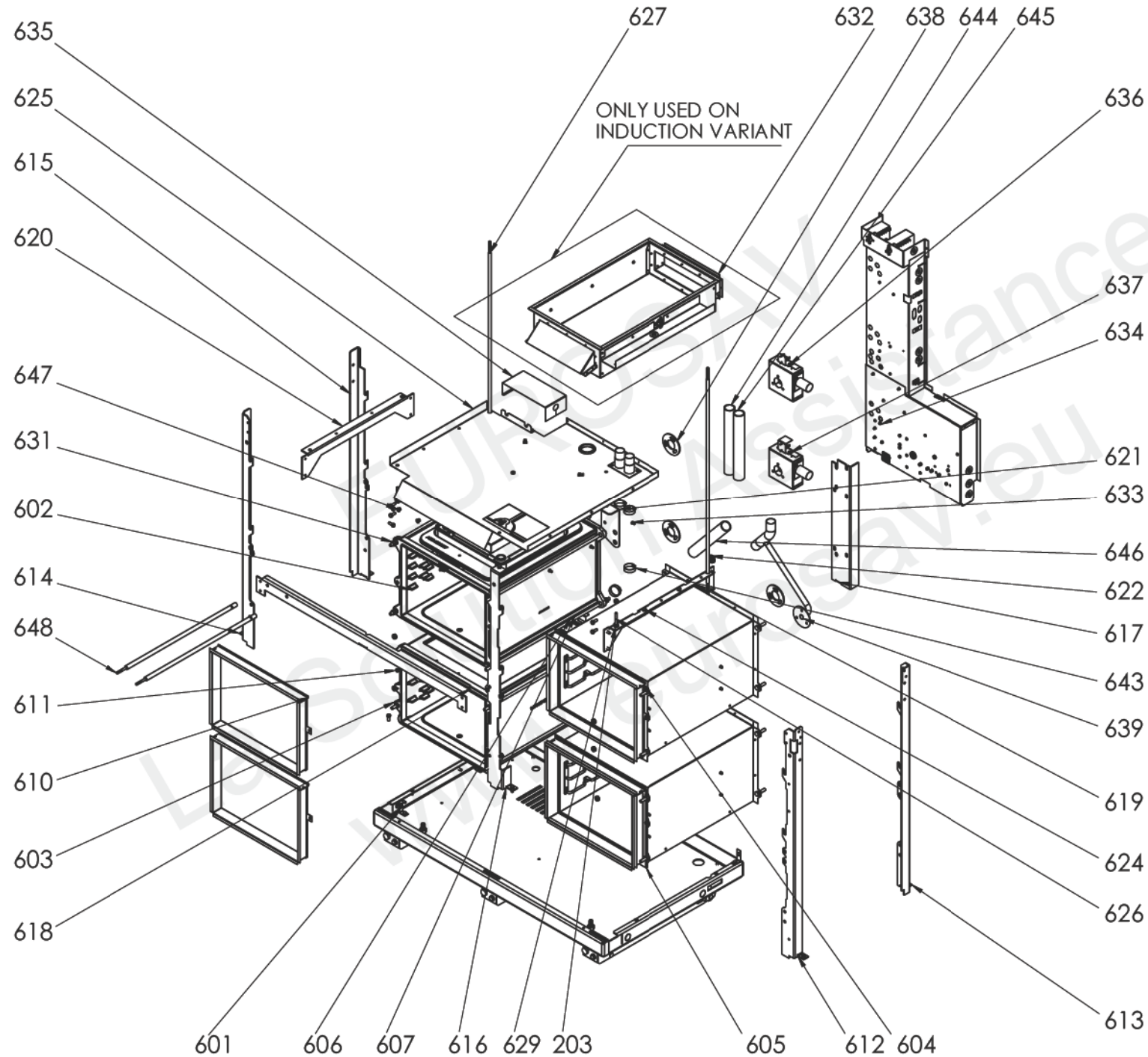


# AE1M232268 eR3 100 4i FRAME WORK ASSEMBLY

SPAR680002 P06

232262

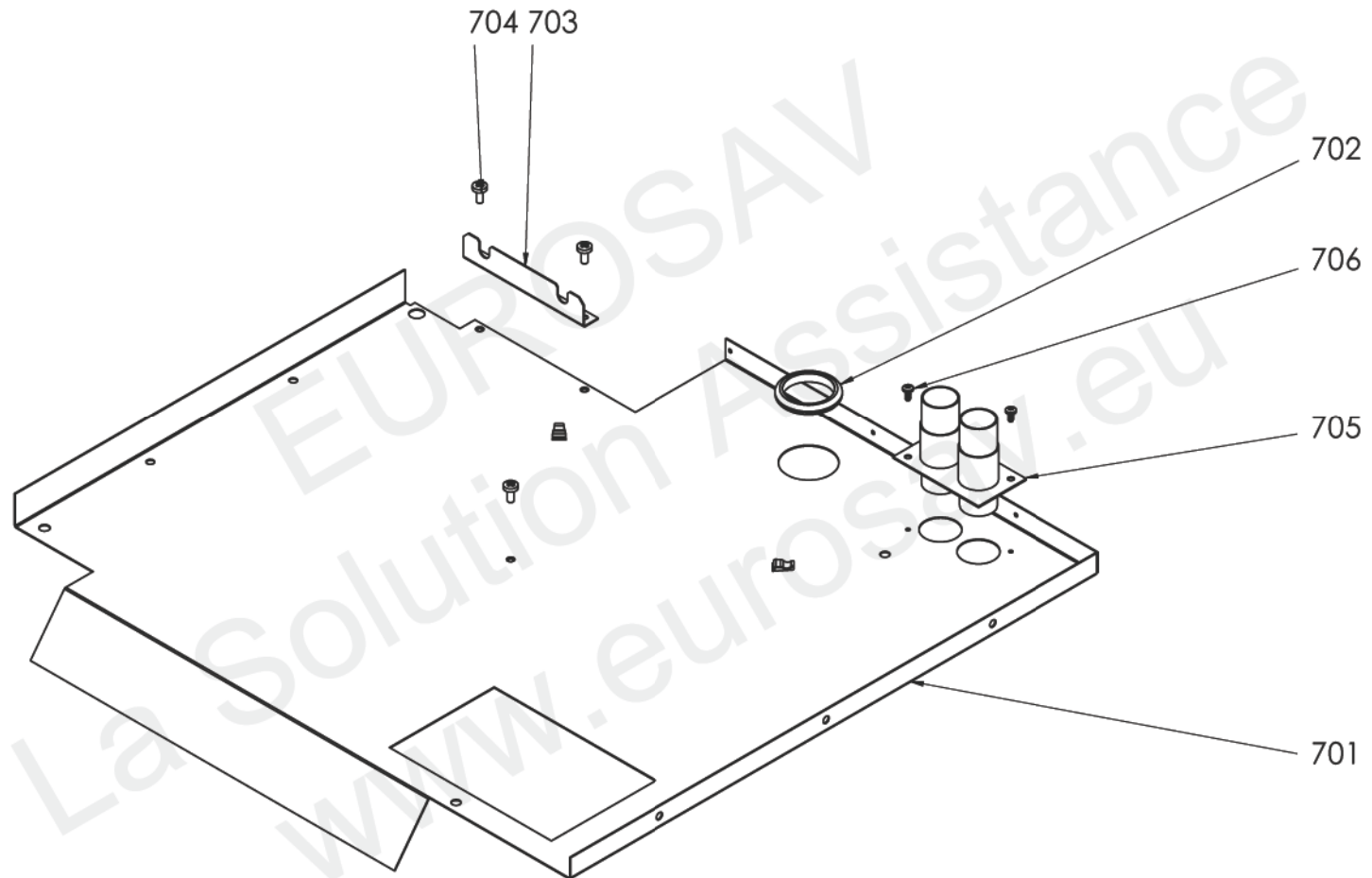
232263



SPAR680002 P07

232262

232263



# AE1M232107 ELECTRICAL CHASSIS W. INDUCTION ASSEMBLY

OPTION 1 - FULL EXPLODED VIEW

SPAR680002 P08

232262

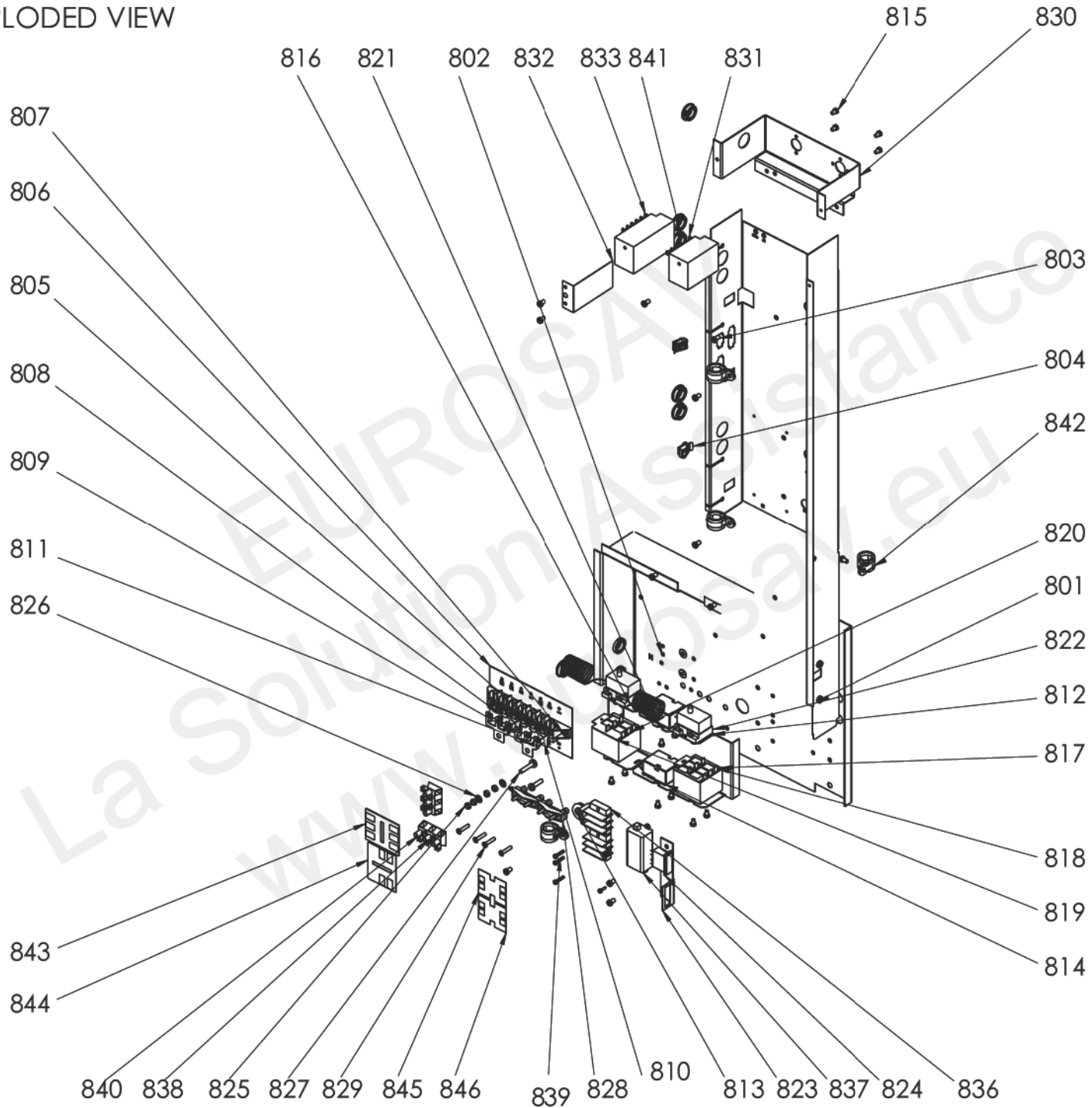
232263

**Not illustrated**

834

835

847





# AE1M232107 ELECTRICAL CHASSIS W. INDUCTION ASSEMBLY

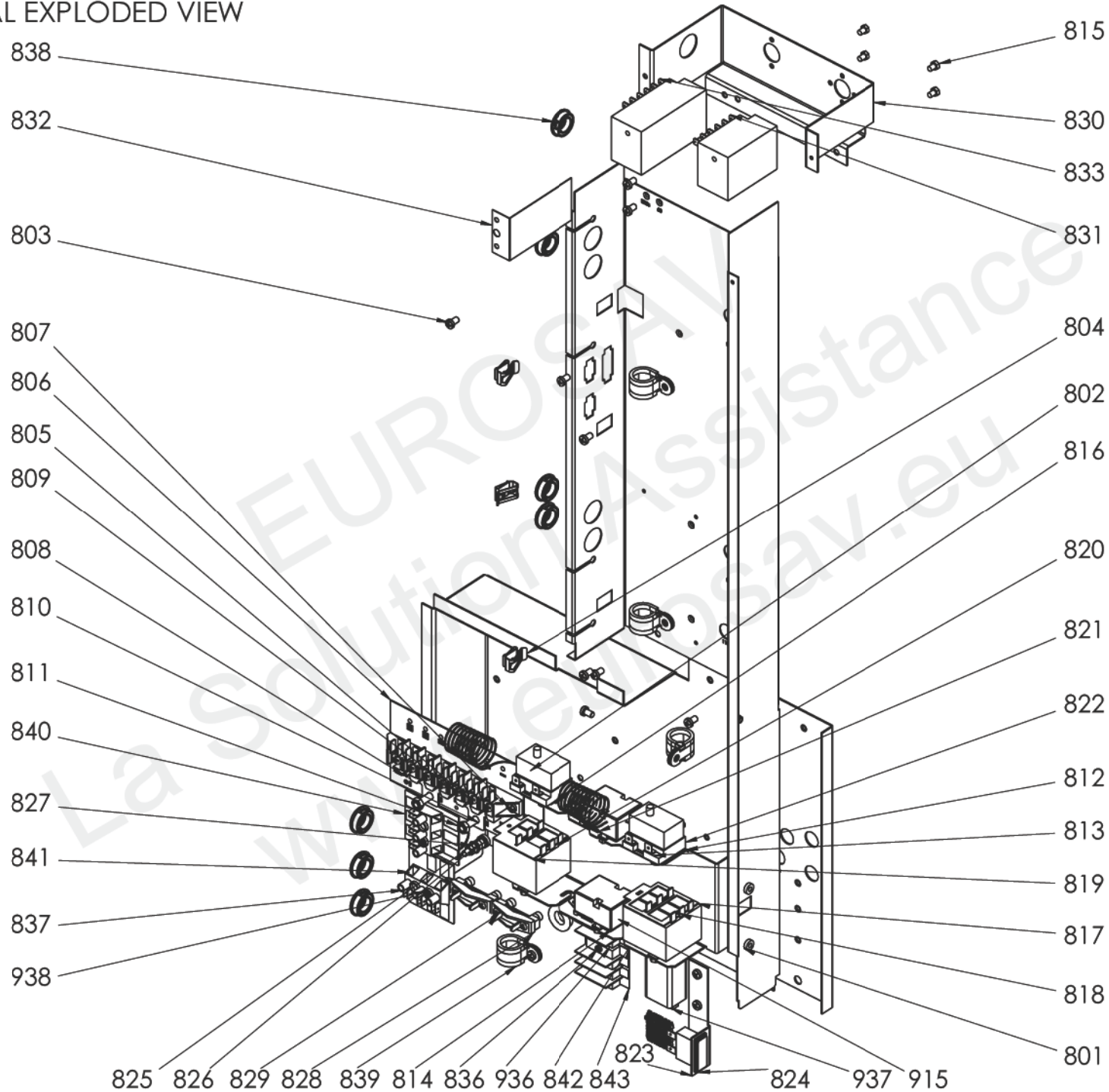
OPTION 2 - PARTIAL EXPLODED VIEW

SPAR680002 P09

**232262**  
**232263**

**Not illustrated**

- 834
- 835
- 844
- 845
- 846
- 847

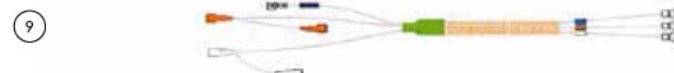
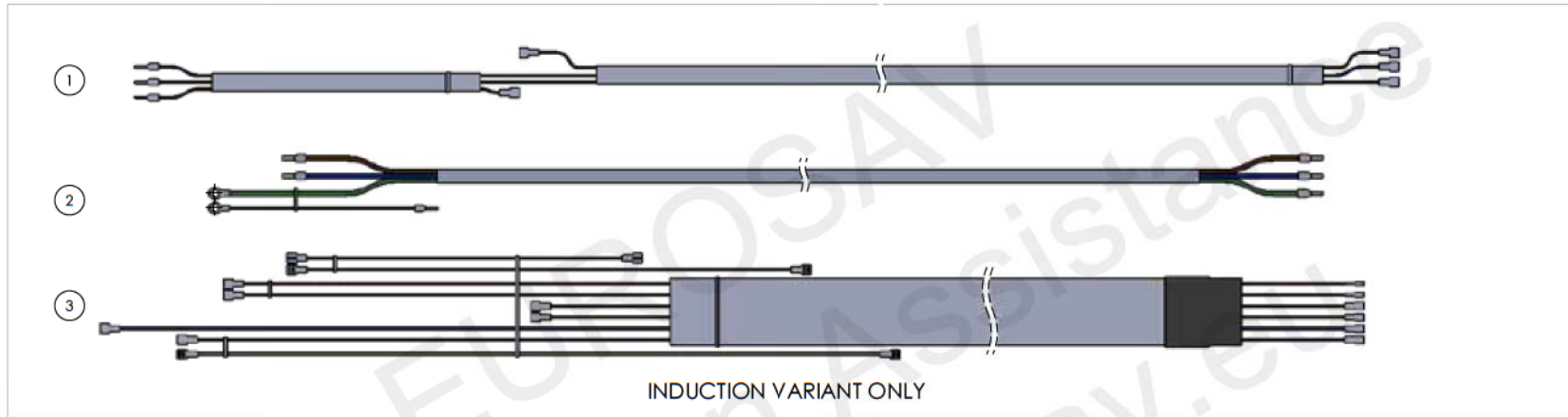


# eR3 100 WIRING LOOMS

SPAR680002 P10

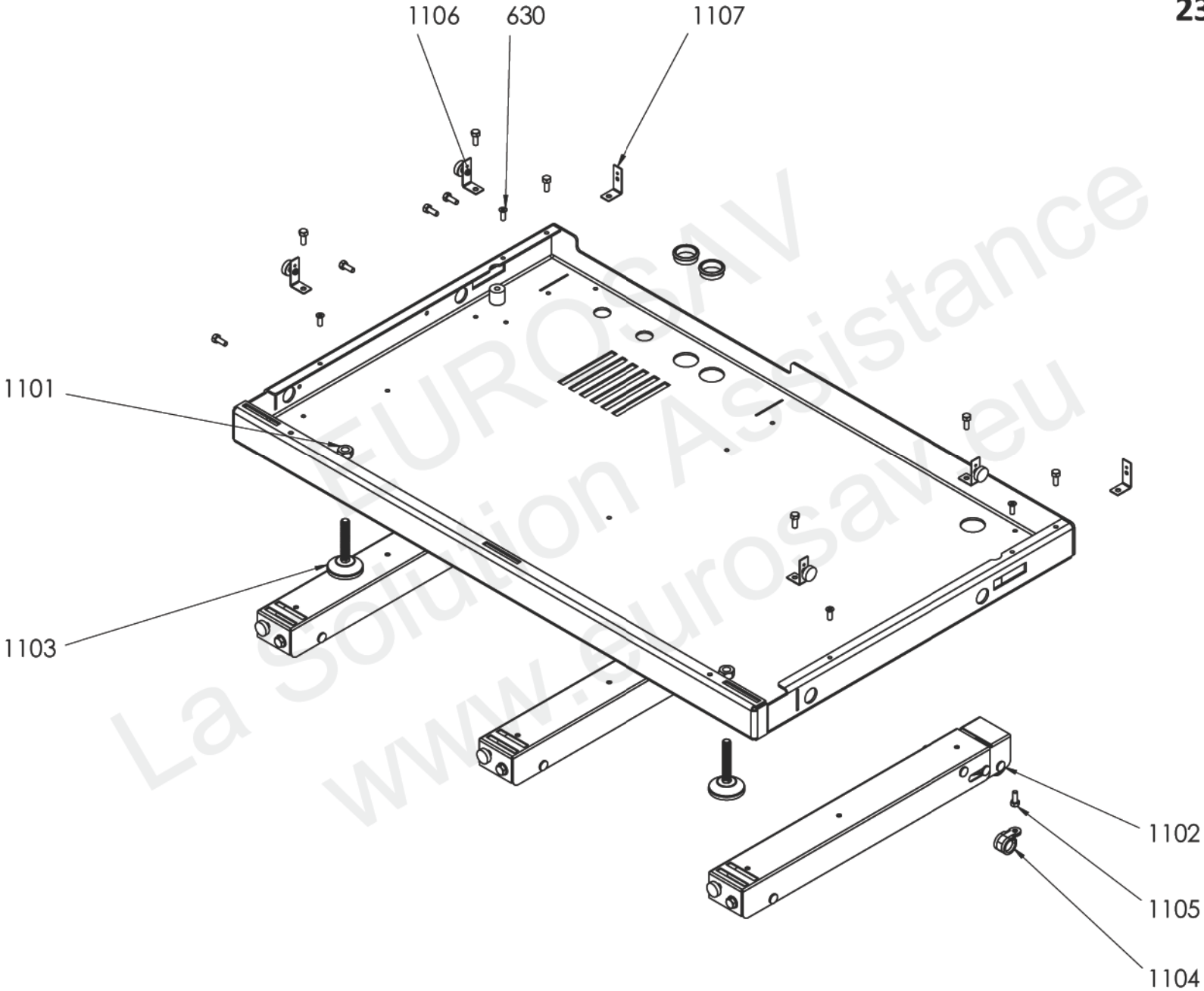
232262

232263



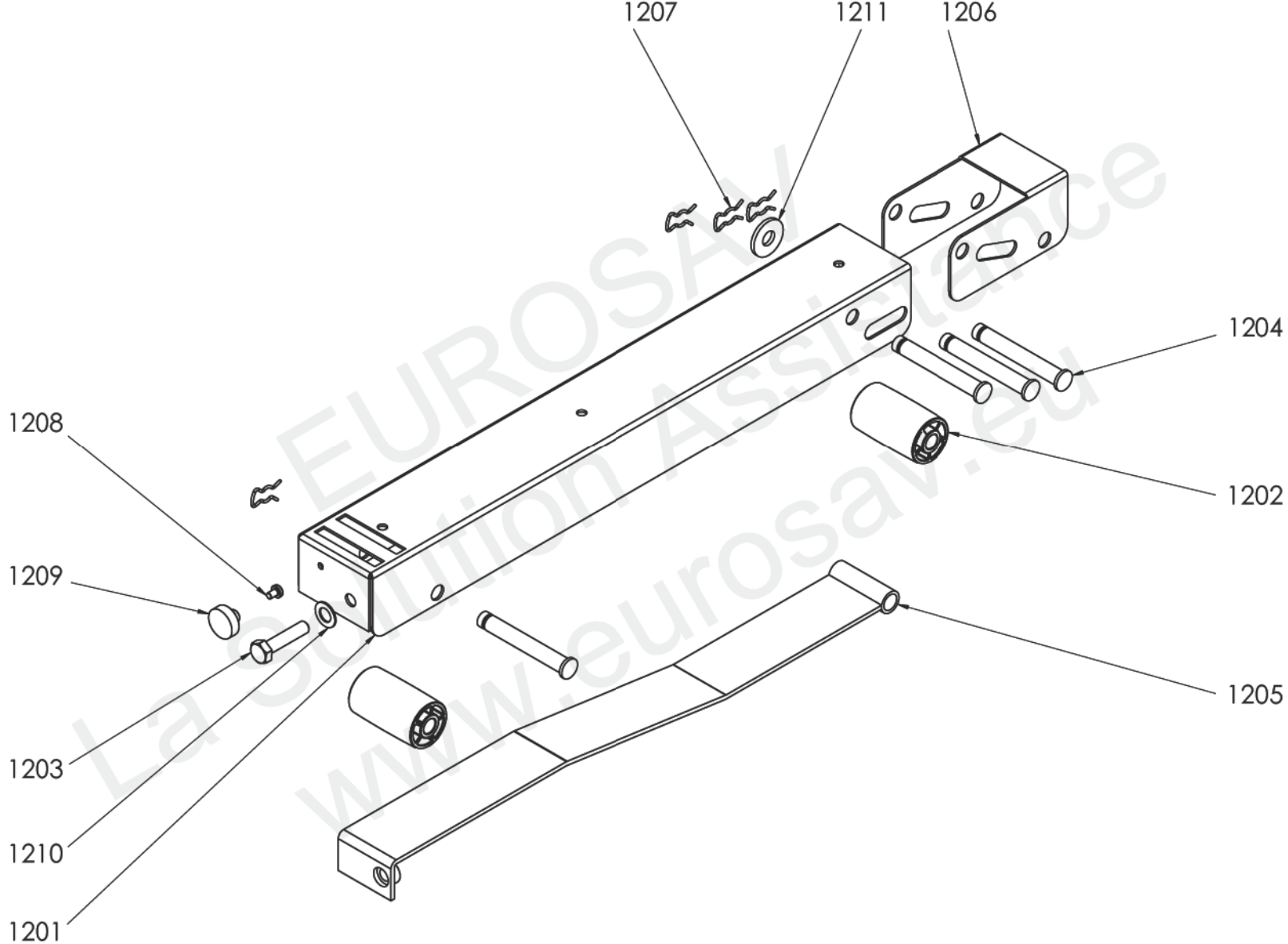
# AE1M232256 eR3 110 BASE PLATE ASSEMBLY

SPAR680002 P11  
232262  
232263



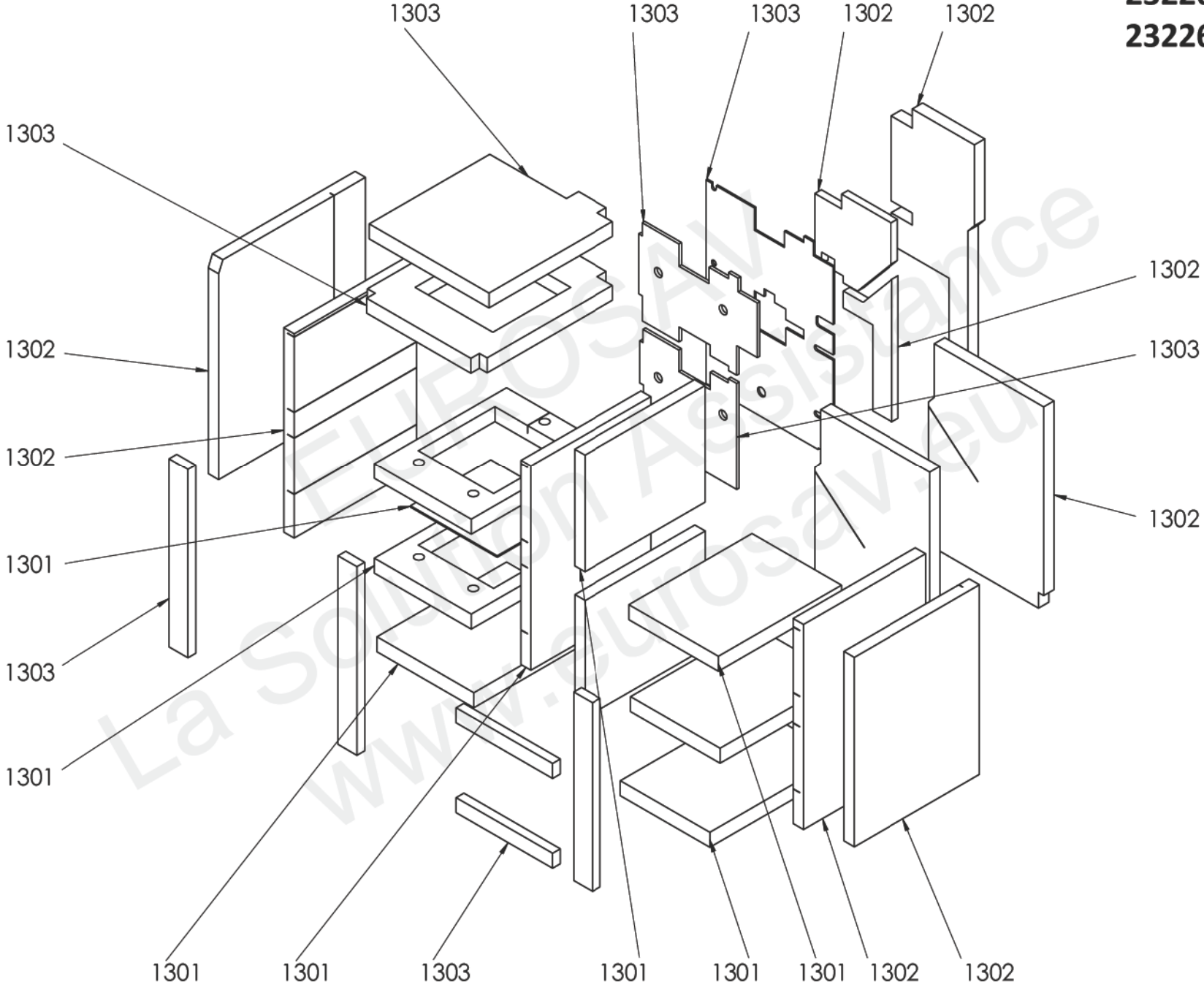
**AE4M232147 eR3 WHEEL ASSEMBLY**

**SPAR680002 P12**  
**232262**  
**232263**

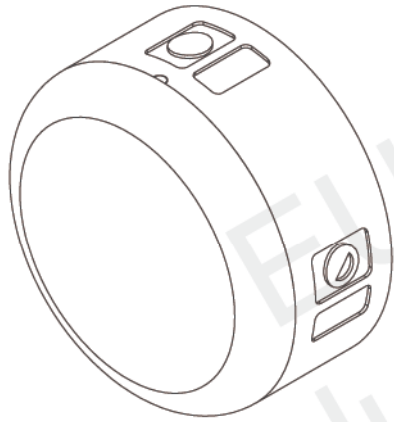


**AE1M232254 eR3 100 INSULATION ASSEMBLY (ALL KITS)**

**SPAR680002 P13**  
**232262**  
**232263**







112



111

EUROSALV  
La Solution Assistance  
www.eurosav.eu

# AE1M232146 ACCESSORIES

SPAR680002 P15

232262

232263

