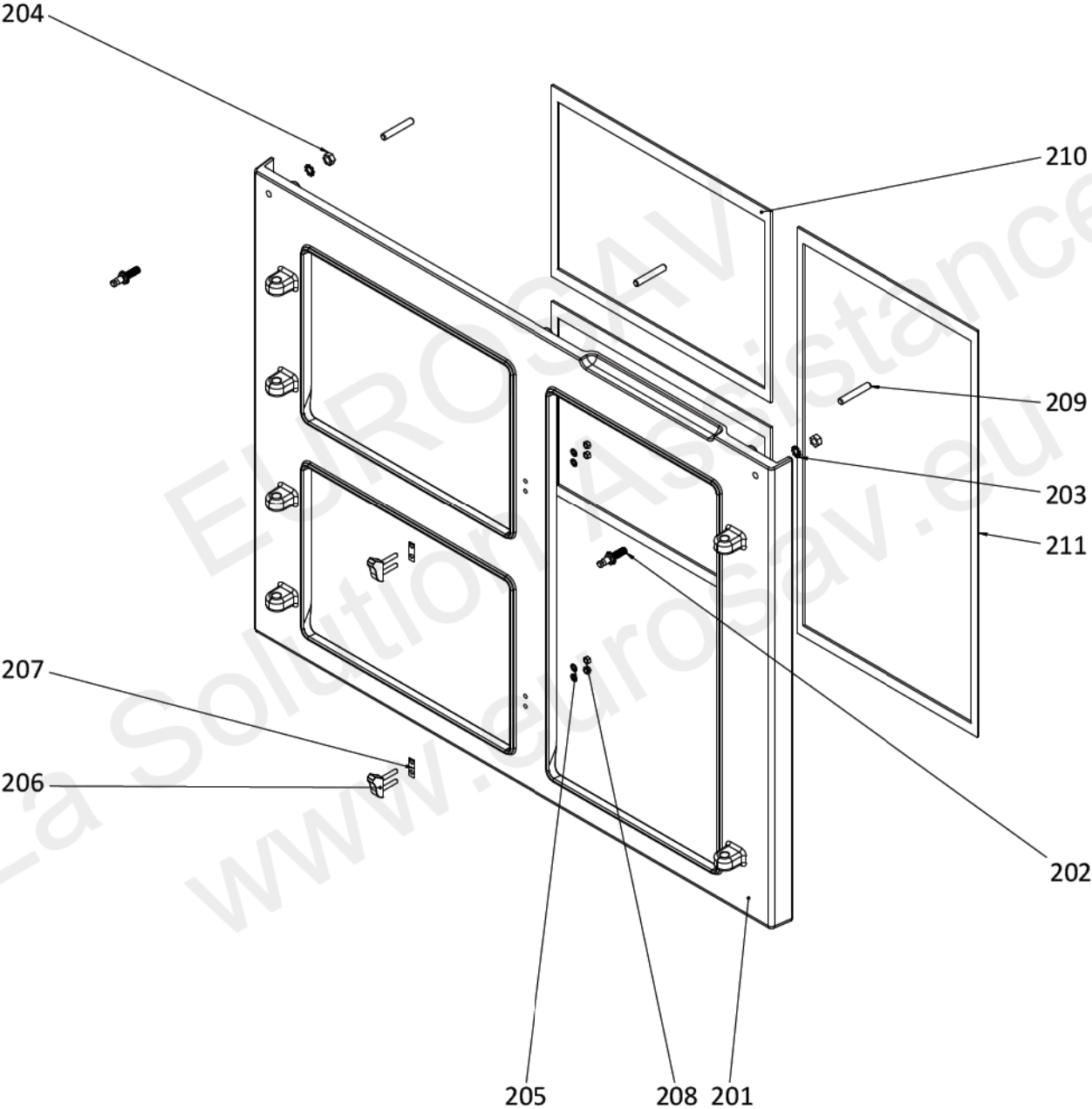


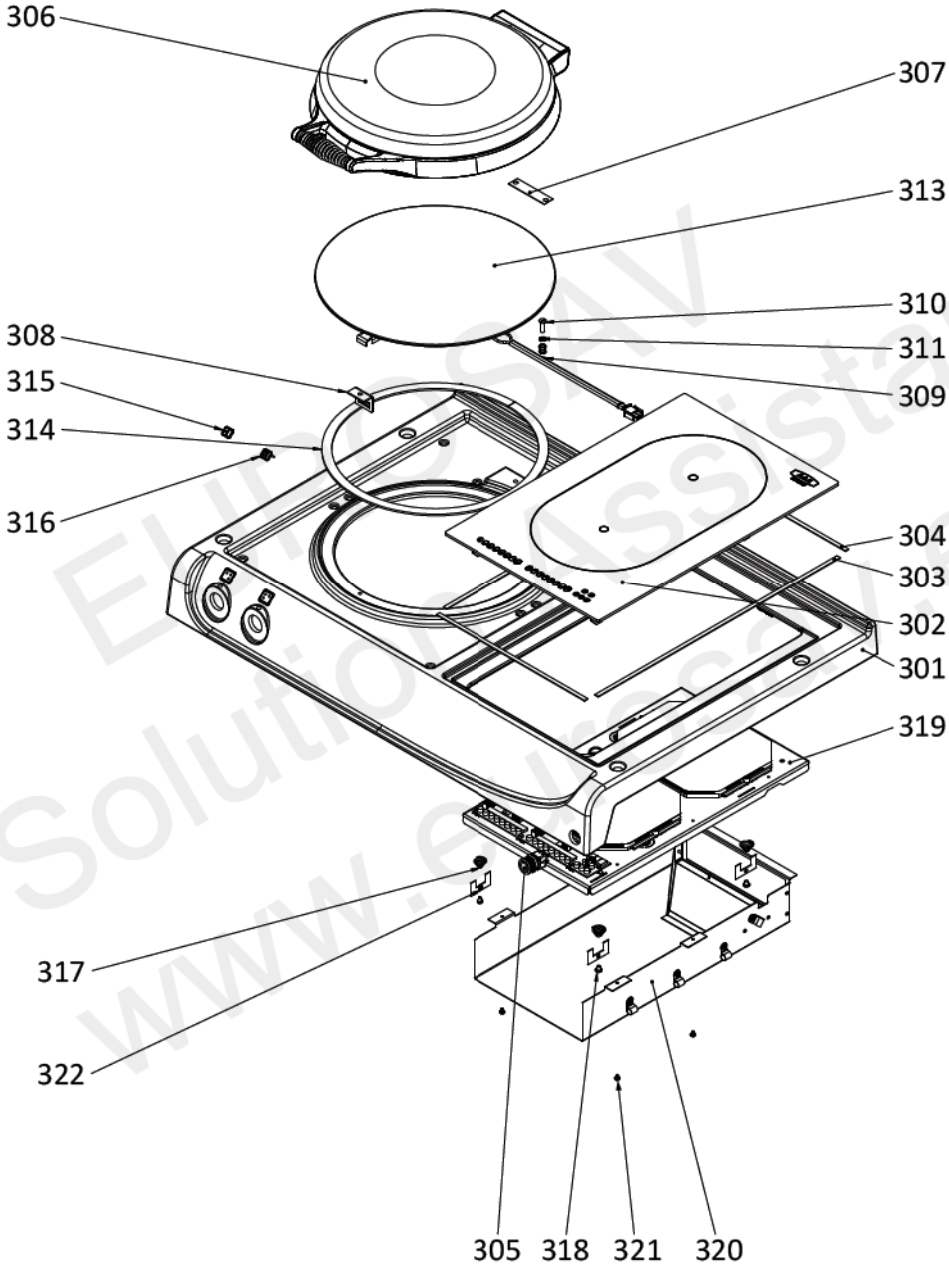
R3 90i FRONT PLATE ASSEMBLY

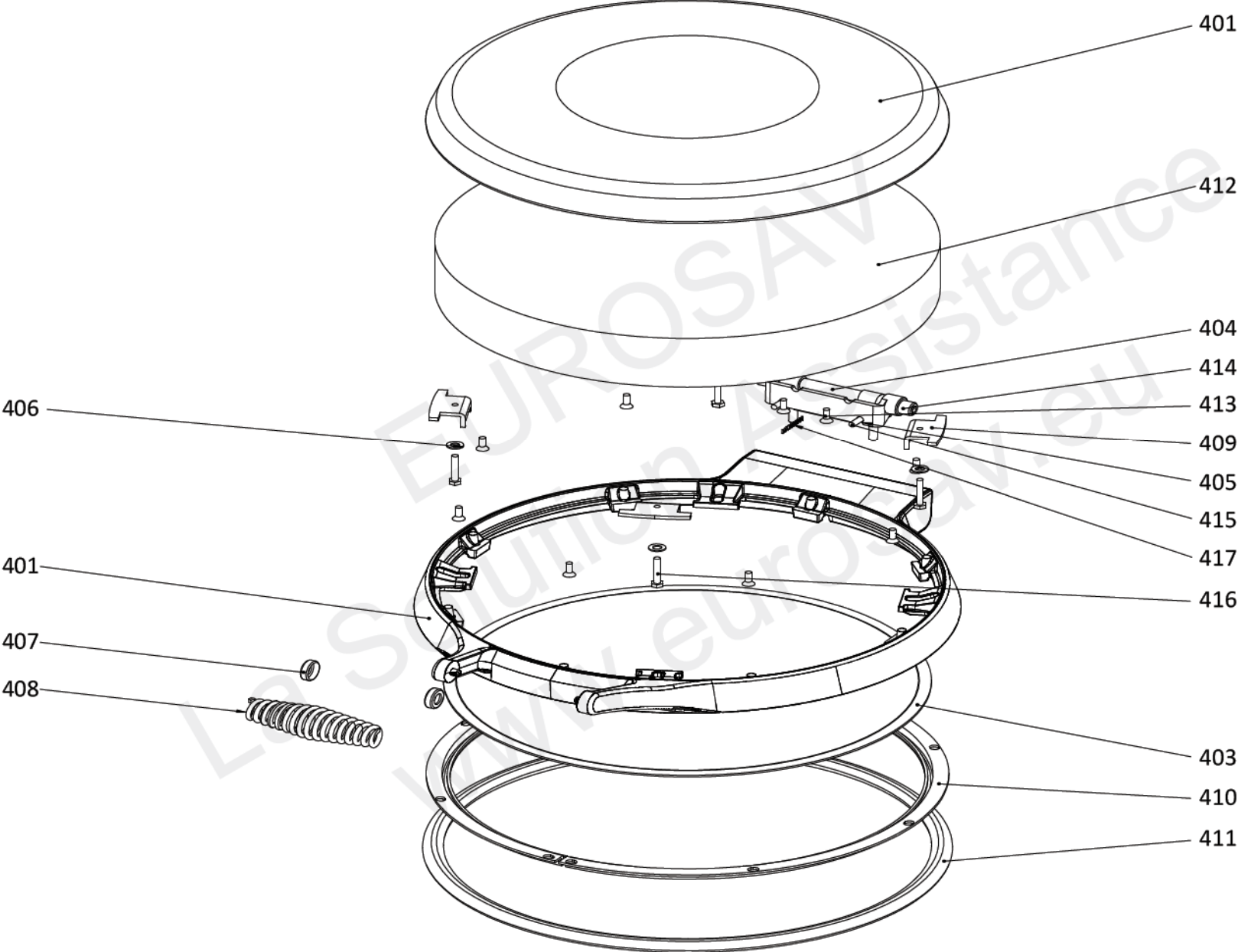
SPAR680012 P02



R3 90i TOP PLATE ASSEMBLY

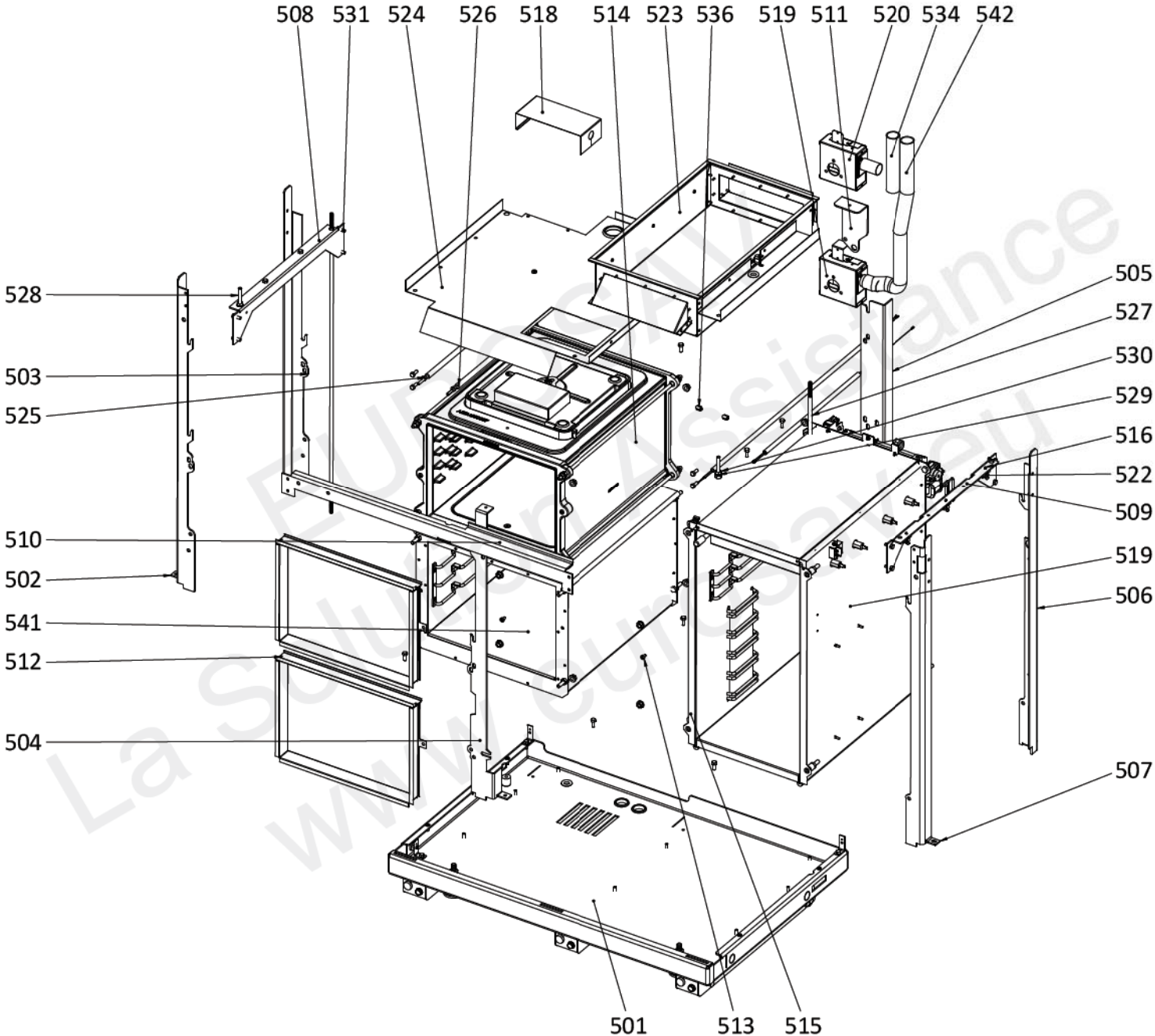
SPAR680012 P03

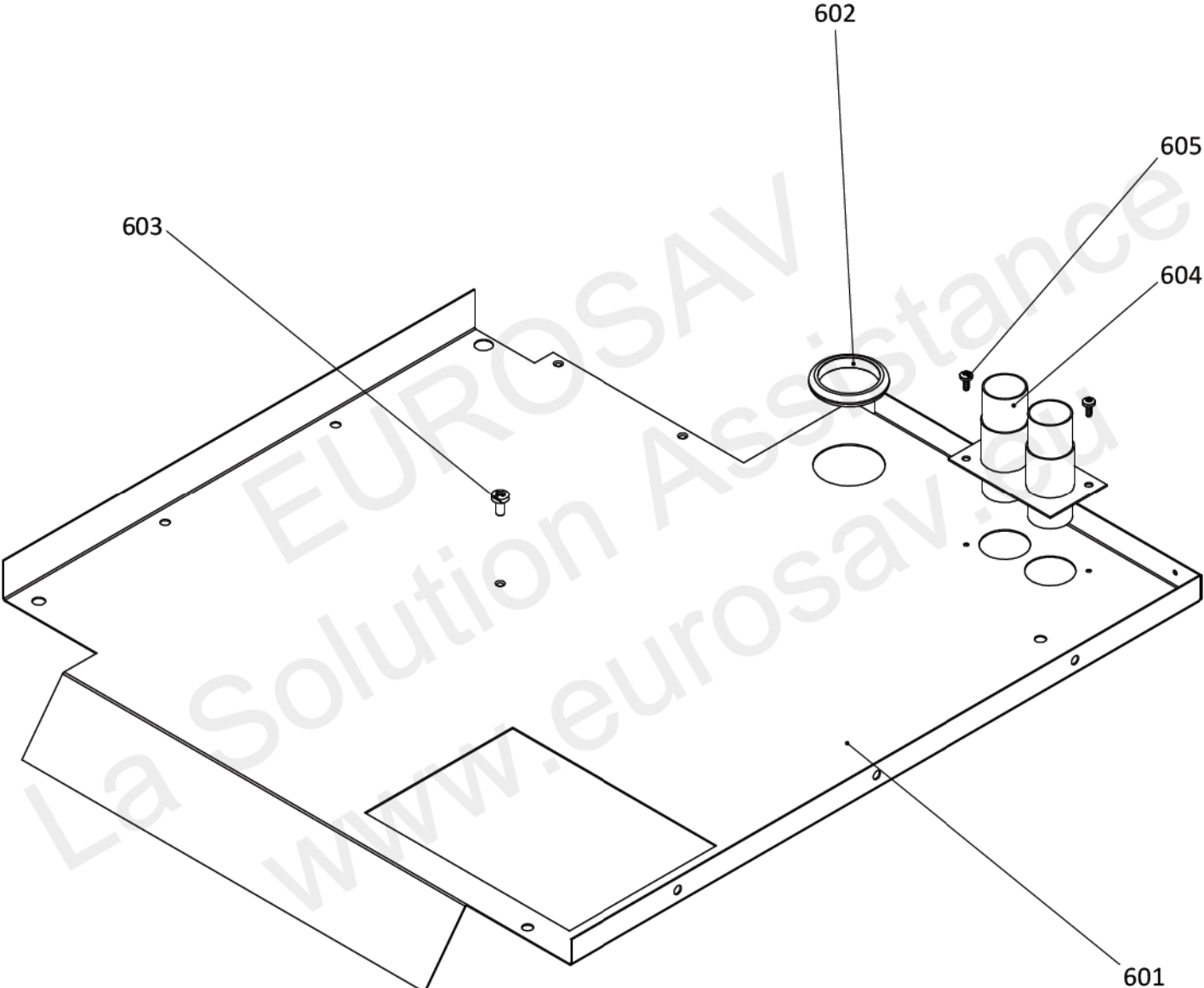




R3 90i FRAME WORK ASSEMBLY

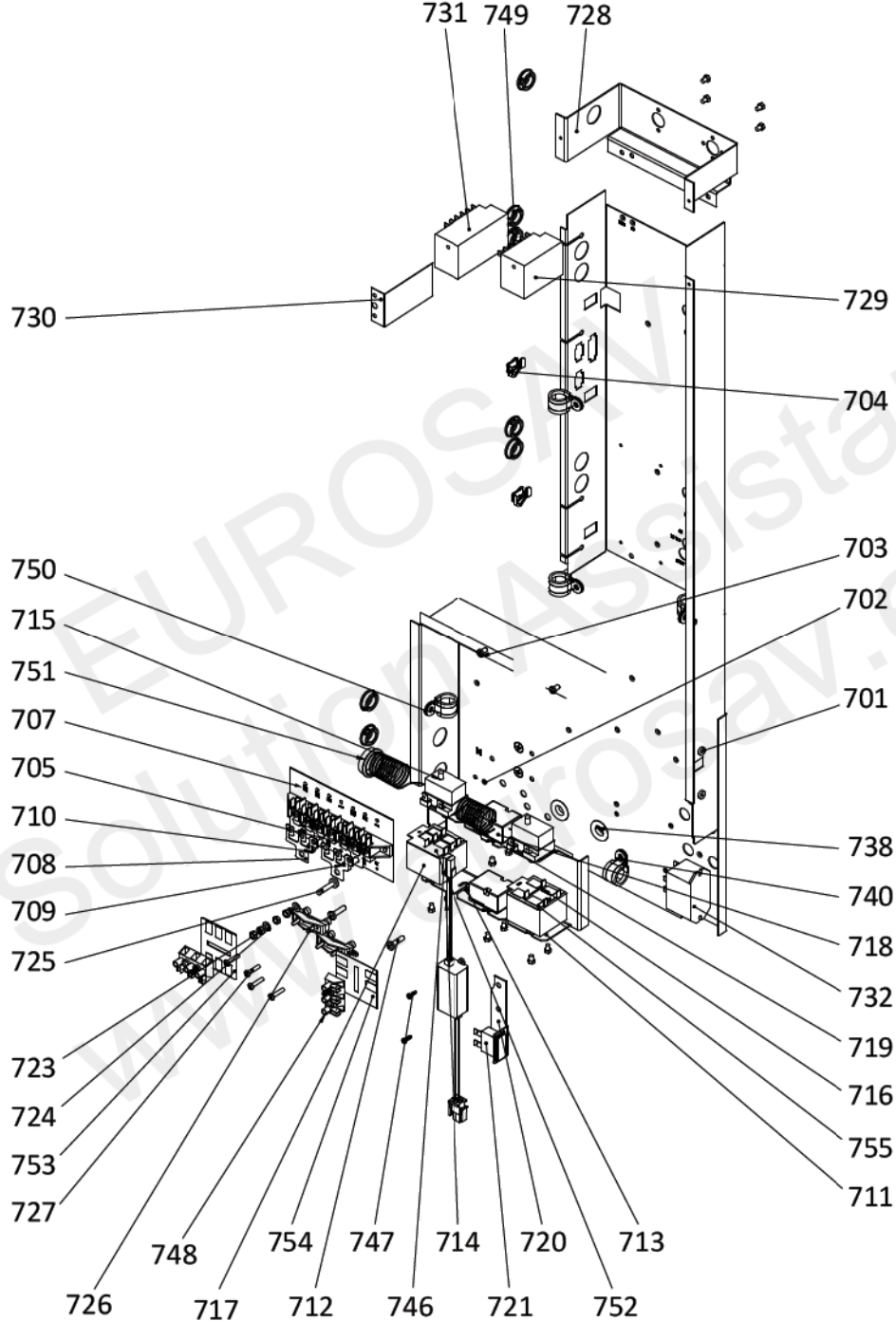
SPAR680012 P05

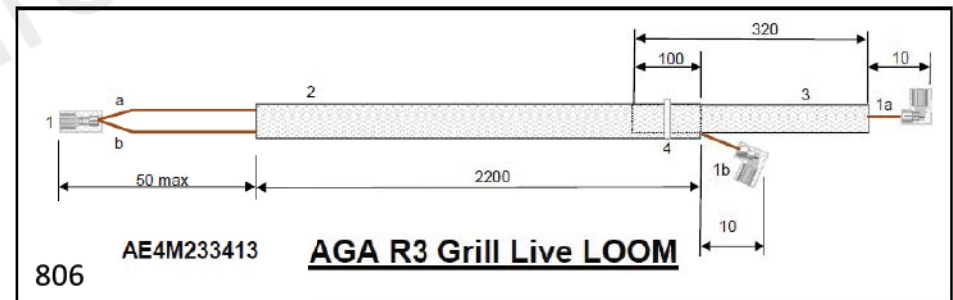
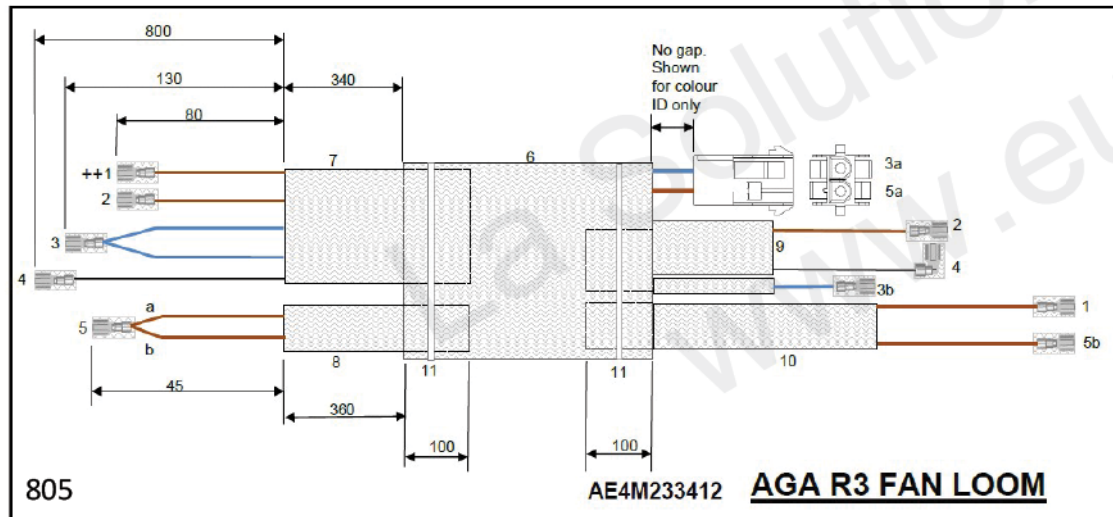
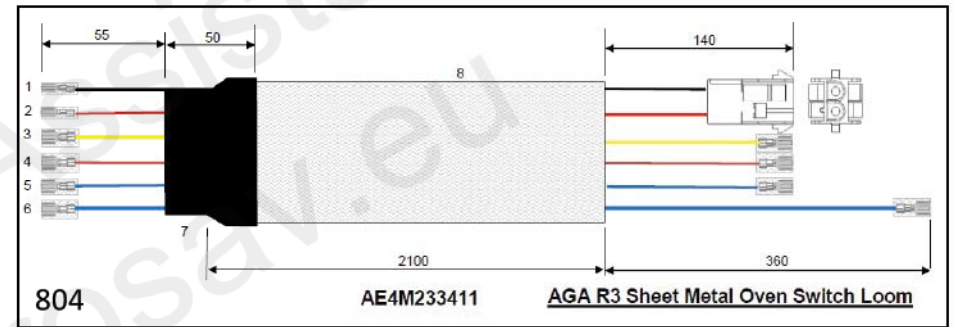
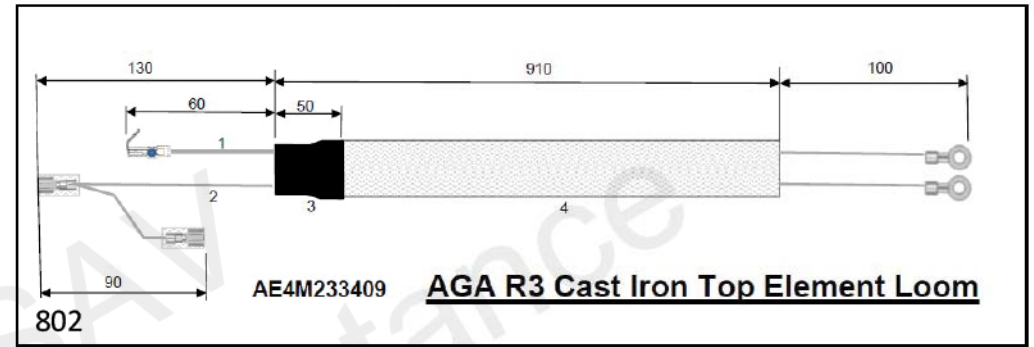
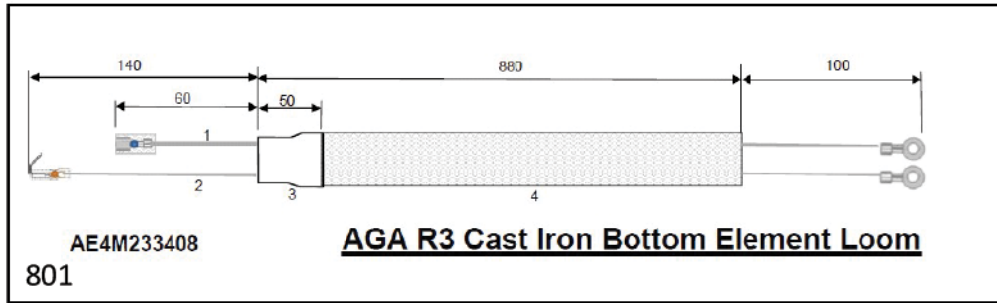


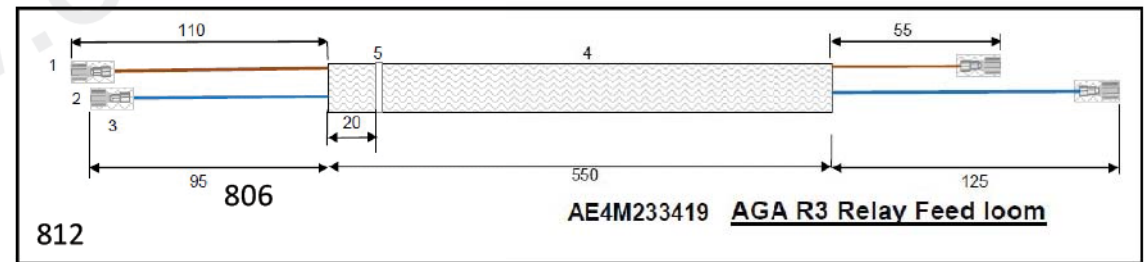
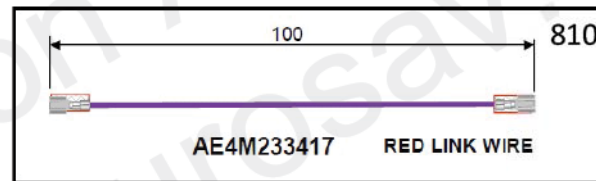
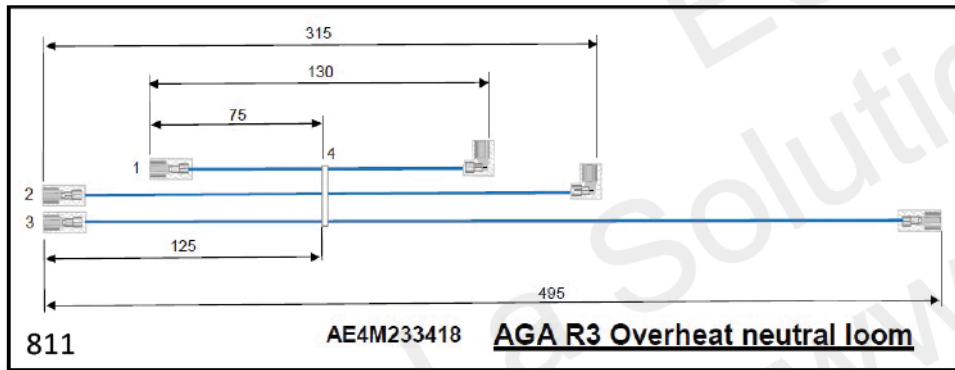
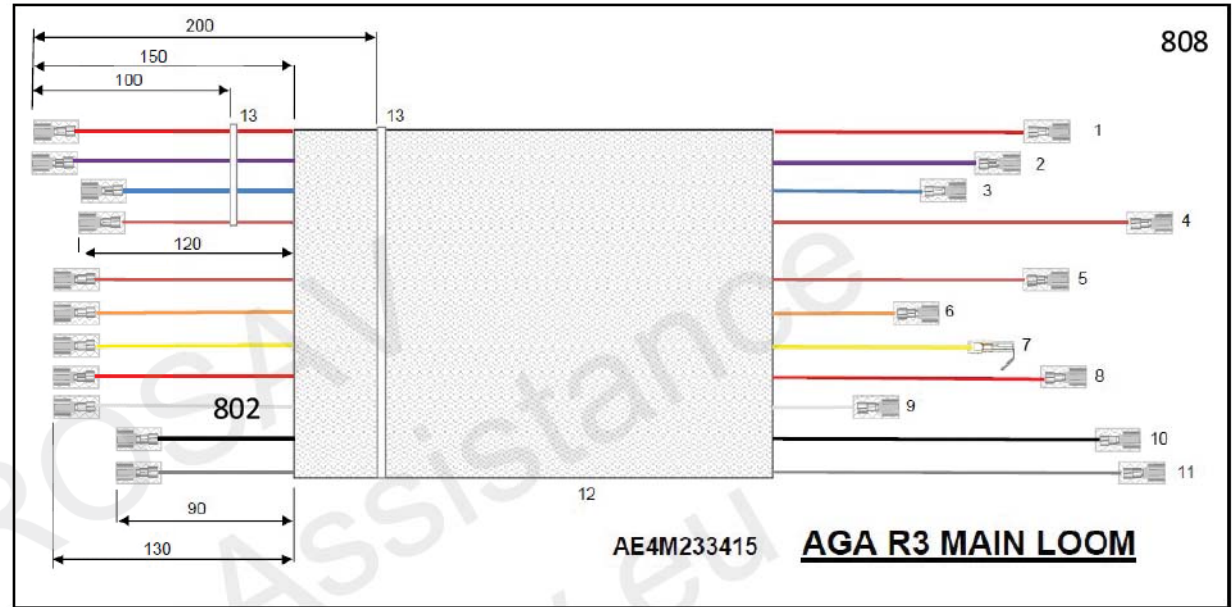
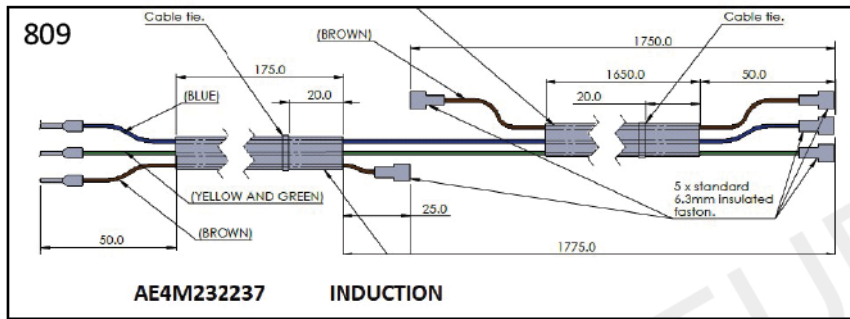
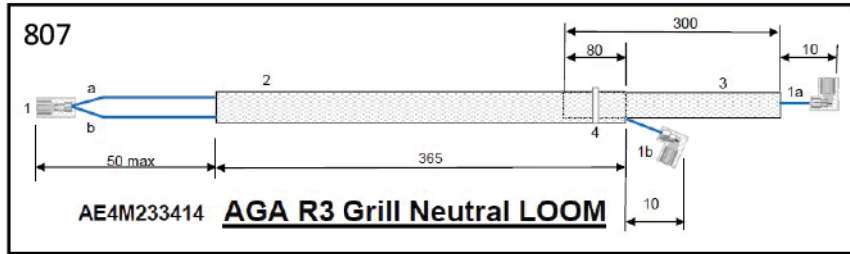


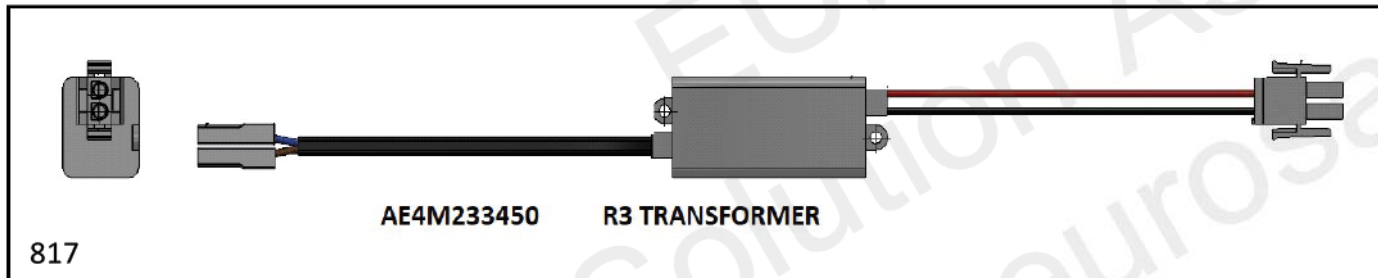
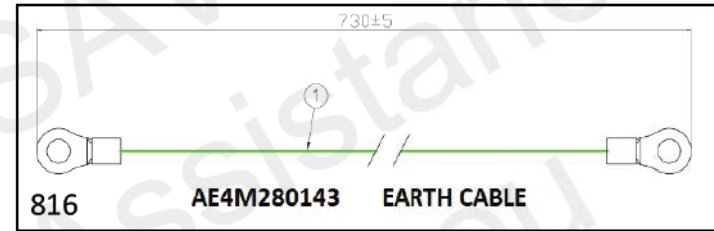
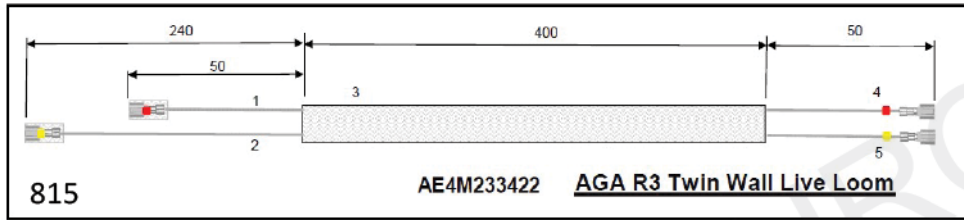
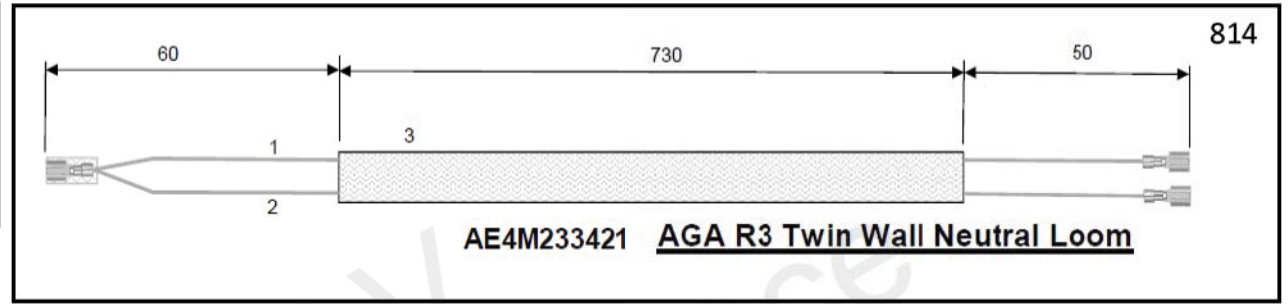
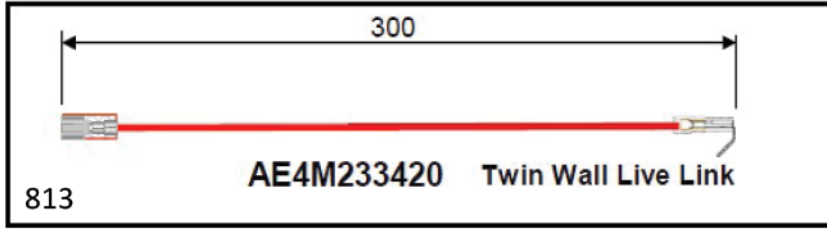
R3 90i ELECTRICAL CHASSIS W. INDUCTION ASSEMBLY

SPAR680012 P07





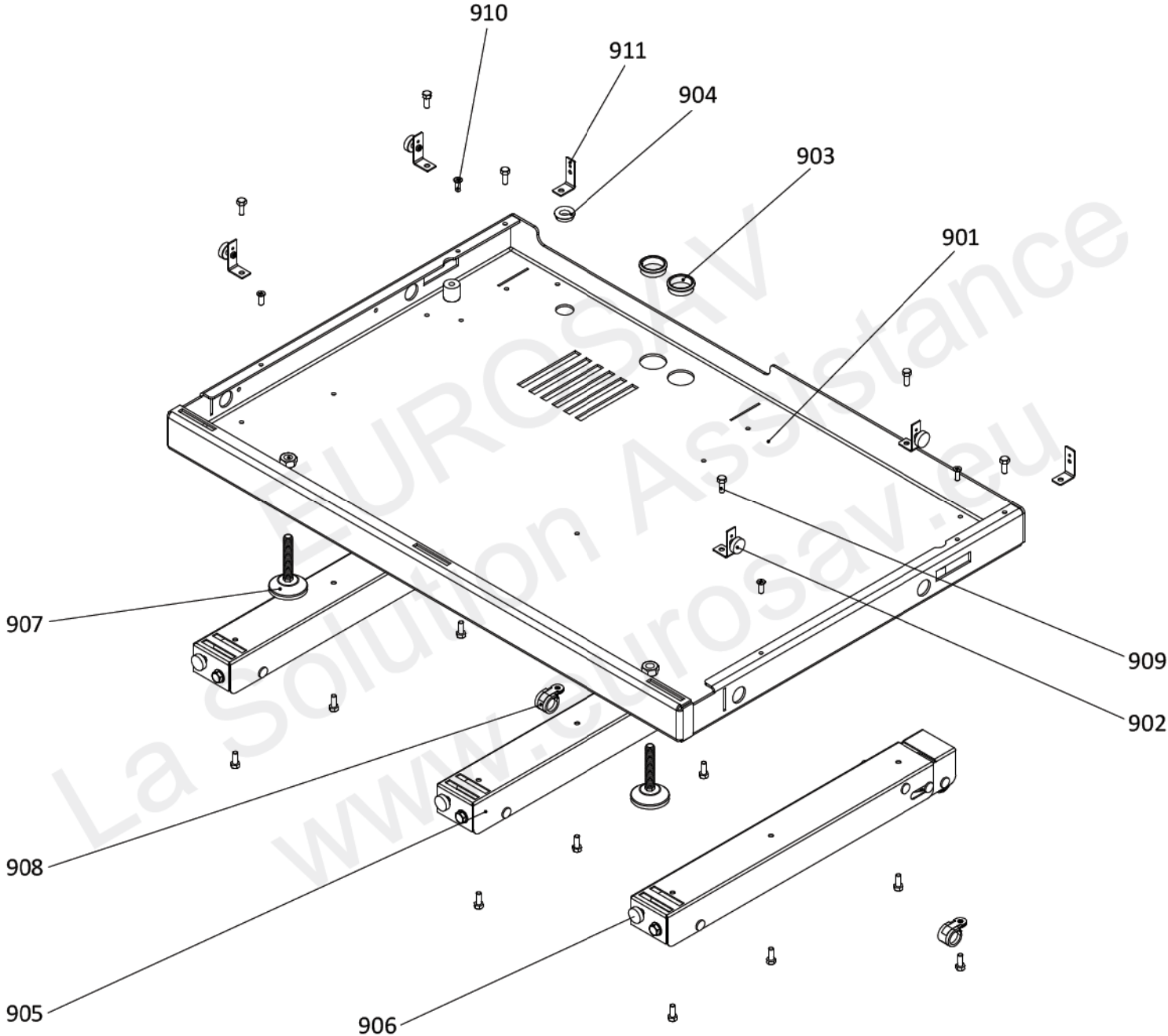




La Solution Assistance
www.eurosav.eu

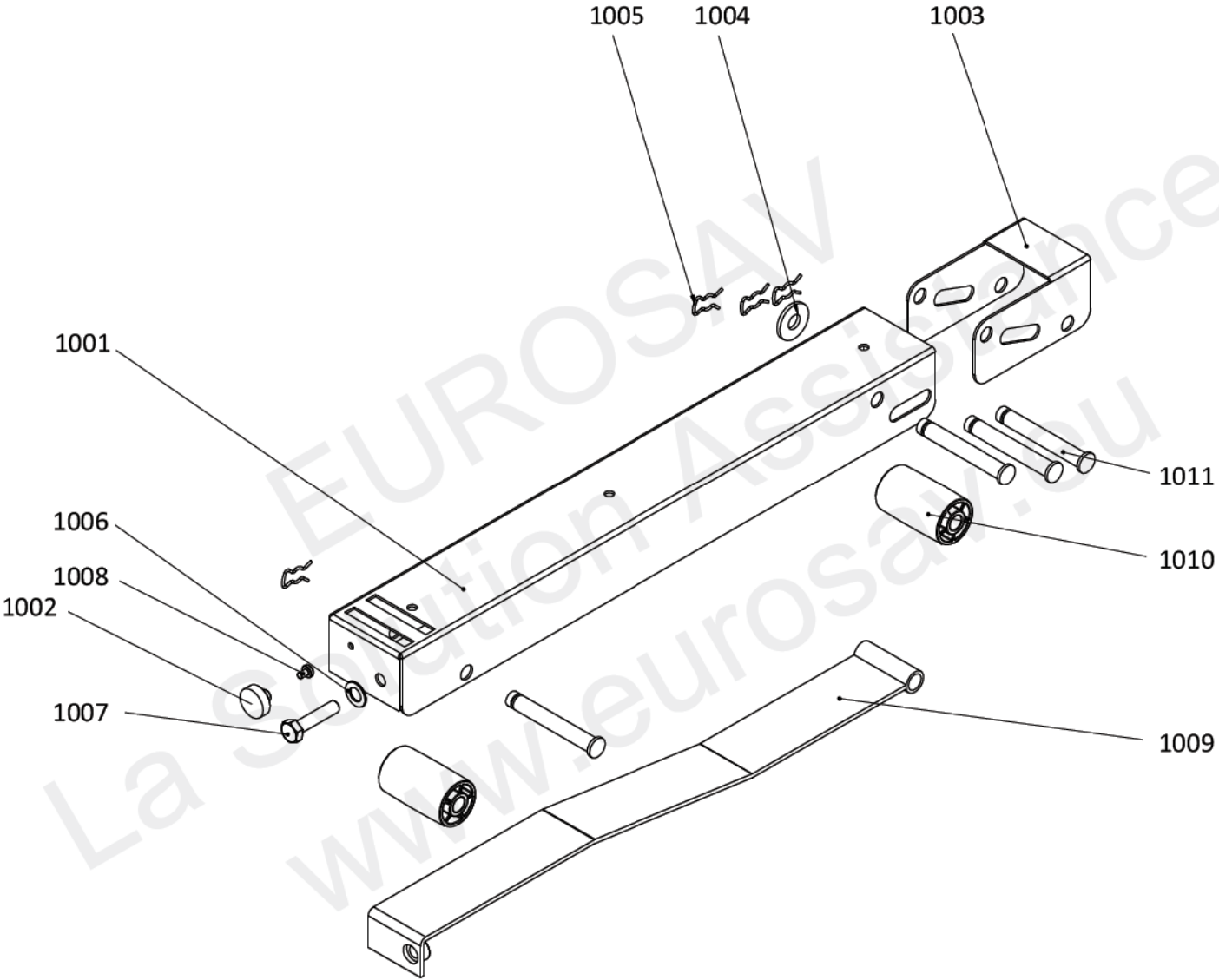
R3 90i BASE PLATE ASSEMBLY

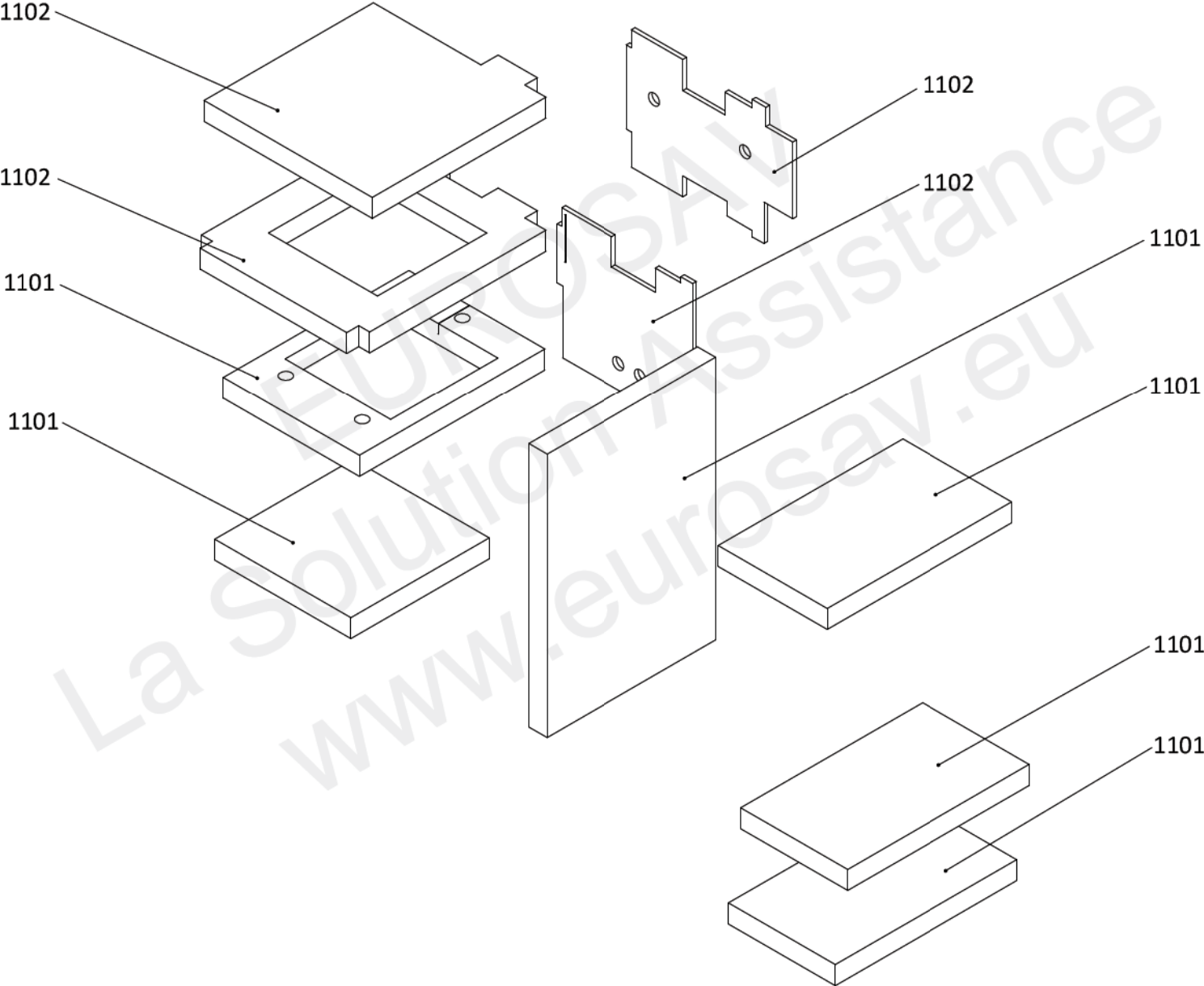
SPAR680012 P09

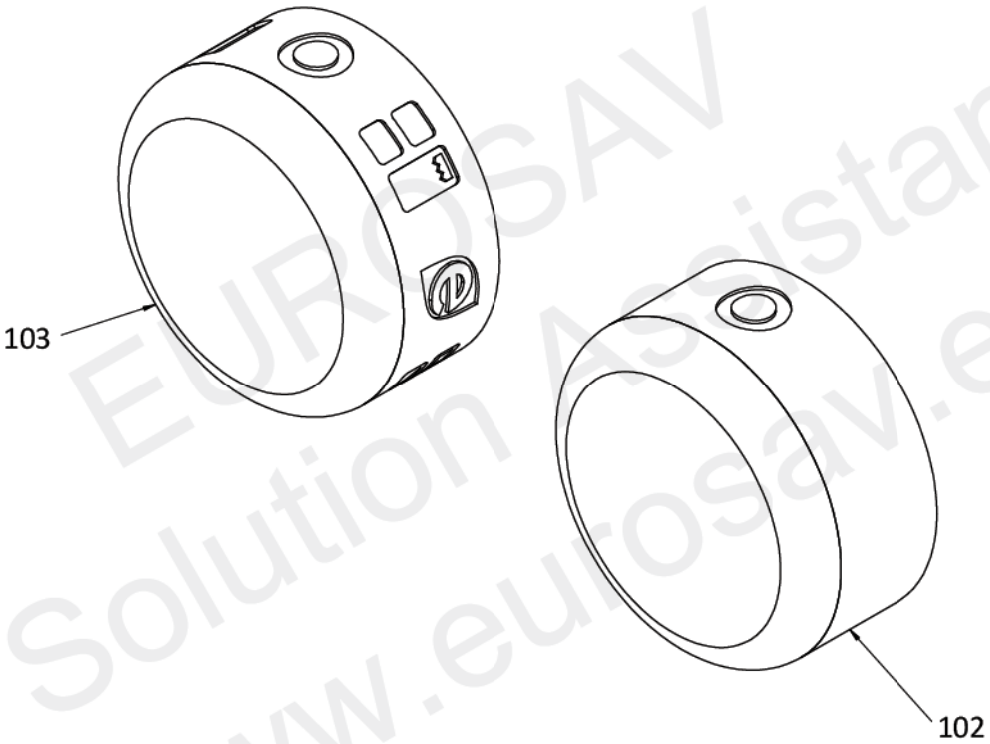


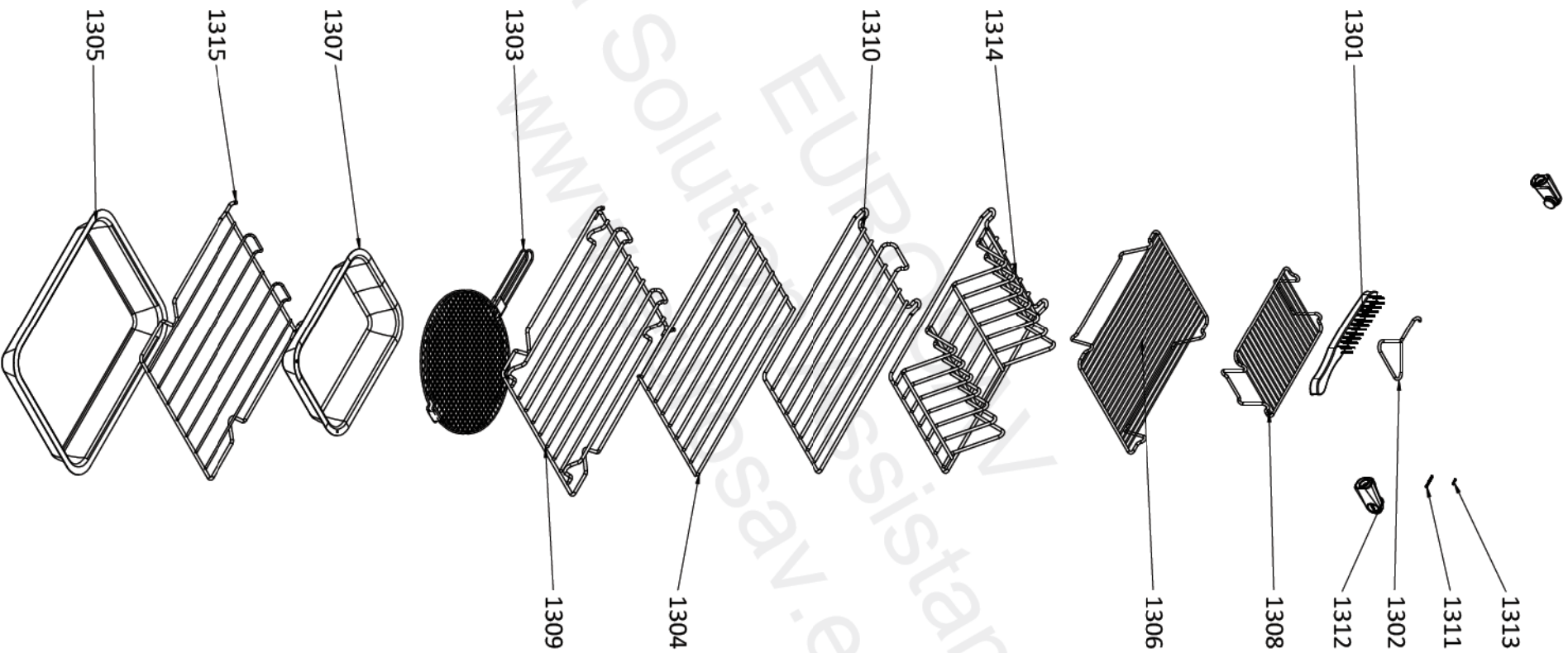
R3 90i WHEEL ASSEMBLY

SPAR680012 P10









R3 90i GRILL ASSEMBLY

SPAR680012 P14

