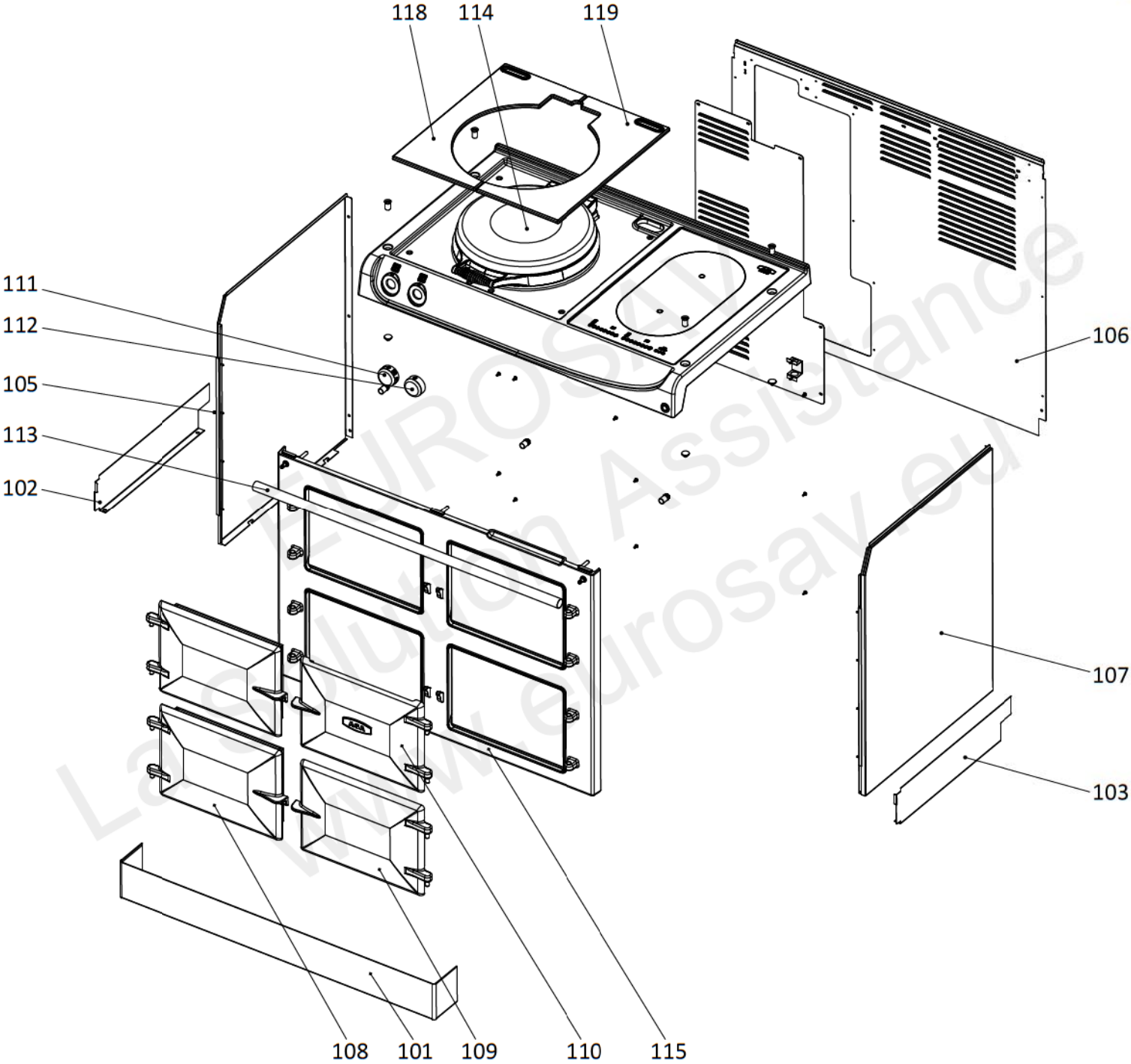


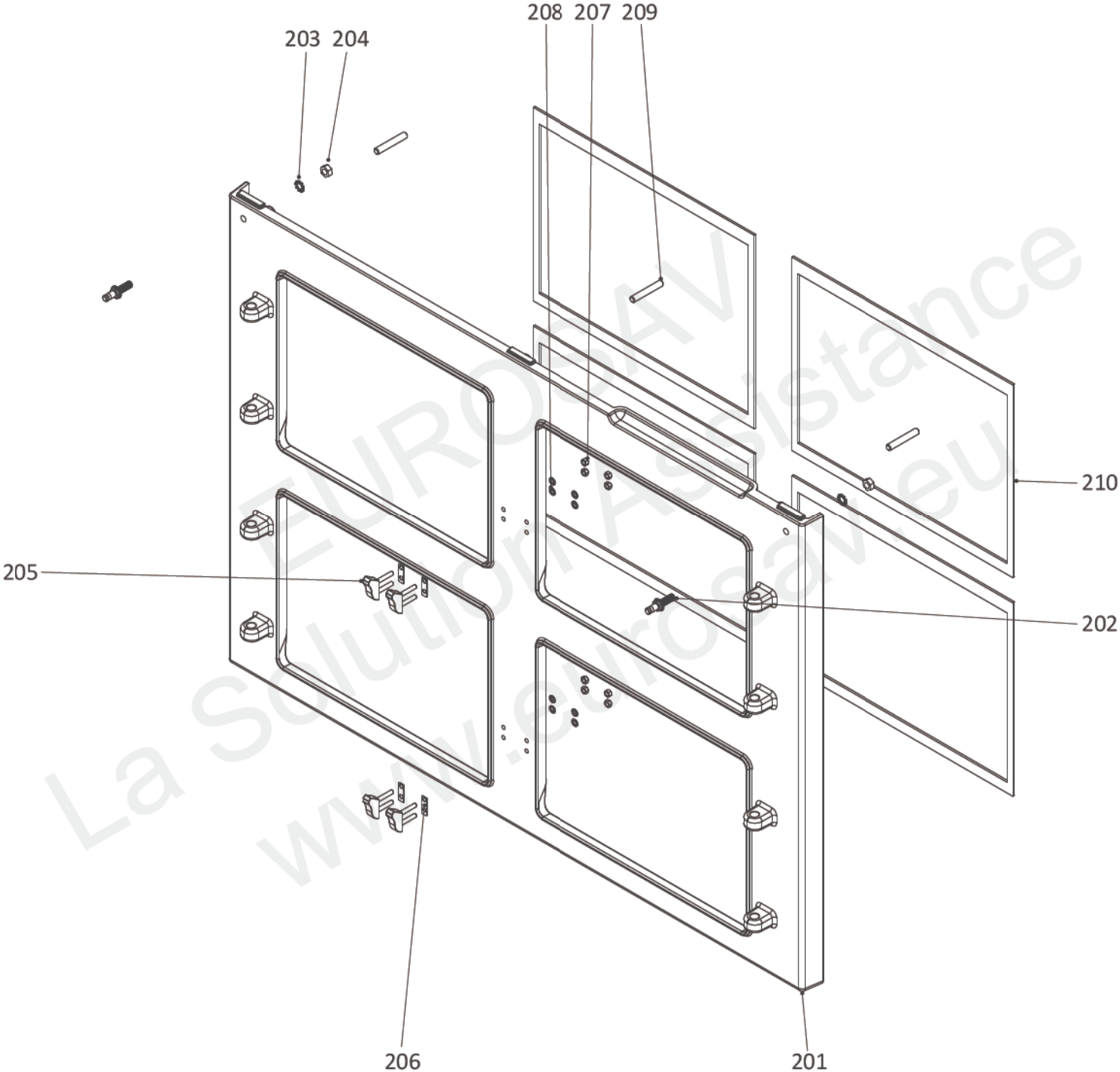
R3 100i ASSEMBLY

SPAR680013 P01



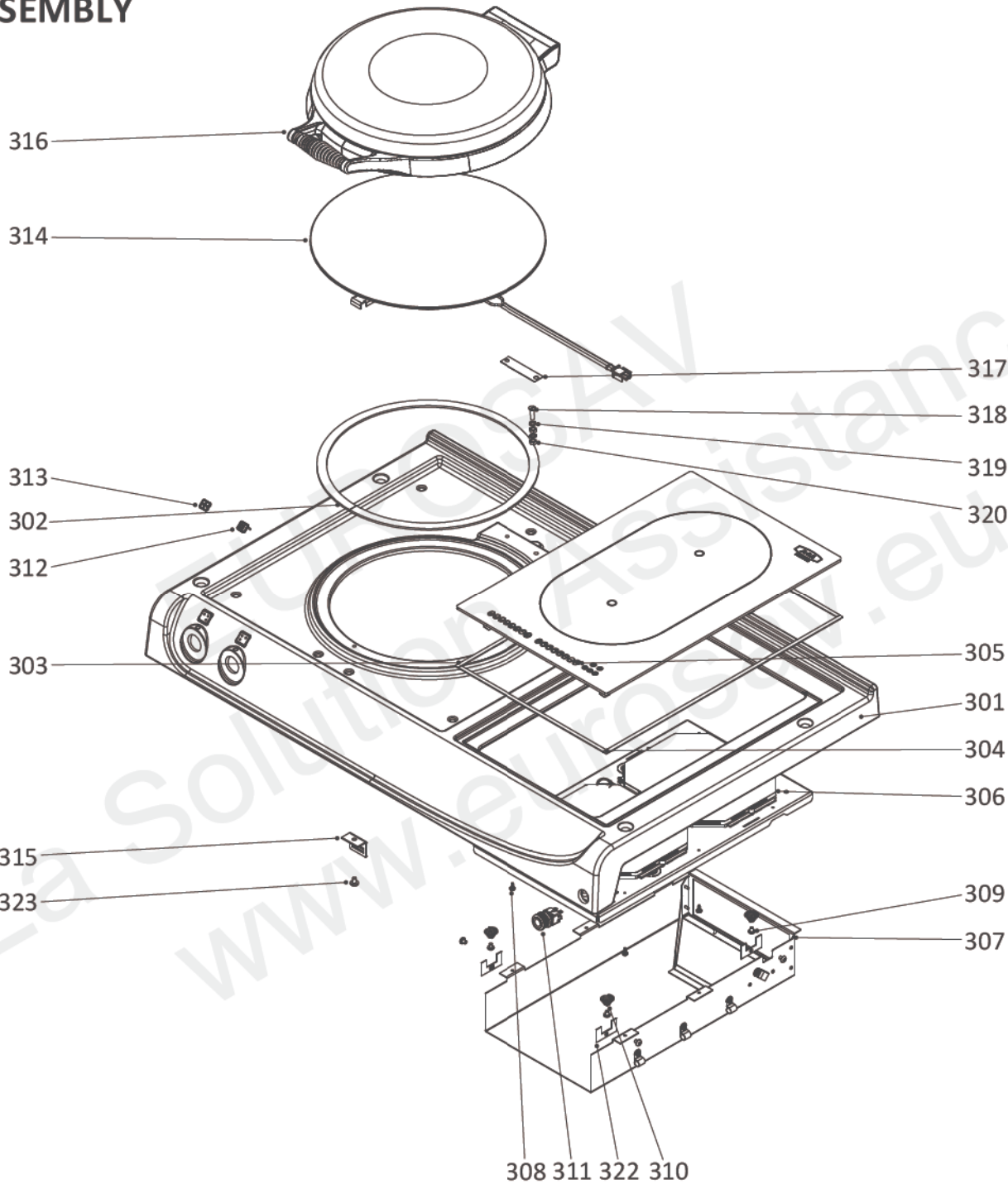
R3 100i FRONT PLATE ASSEMBLY

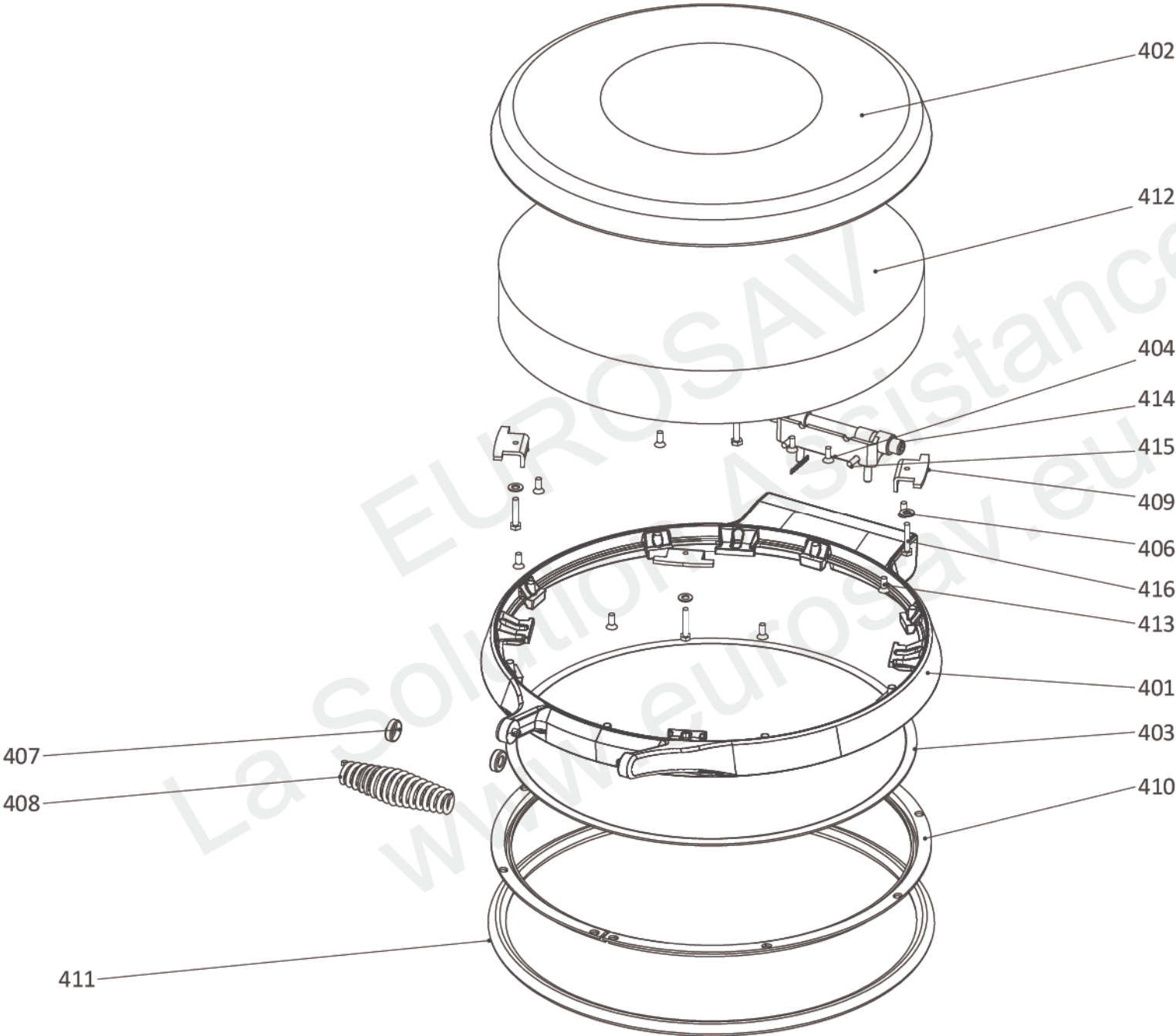
SPAR680013 P02



R3 100i TOP PLATE ASSEMBLY

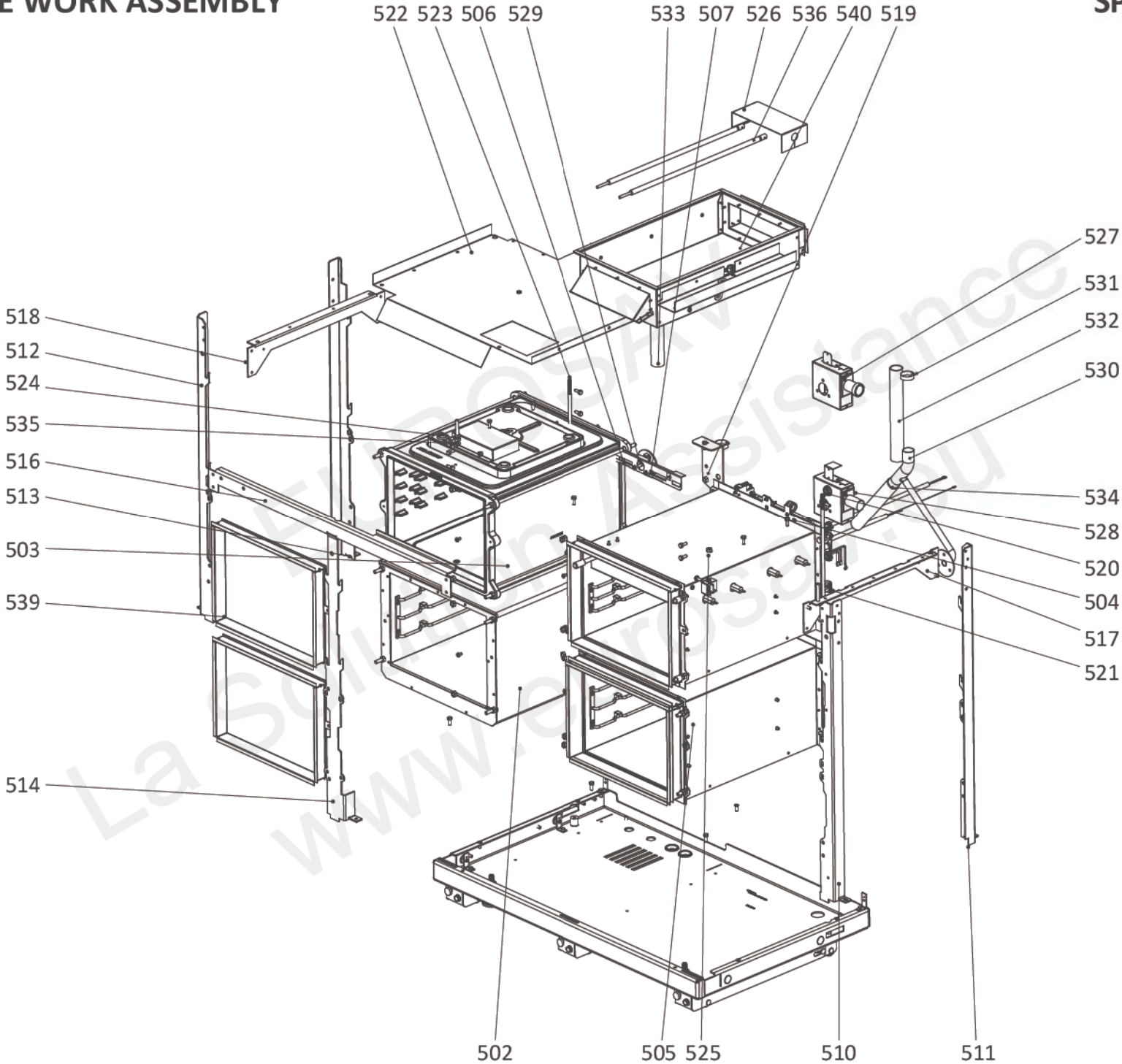
SPAR680013 P03

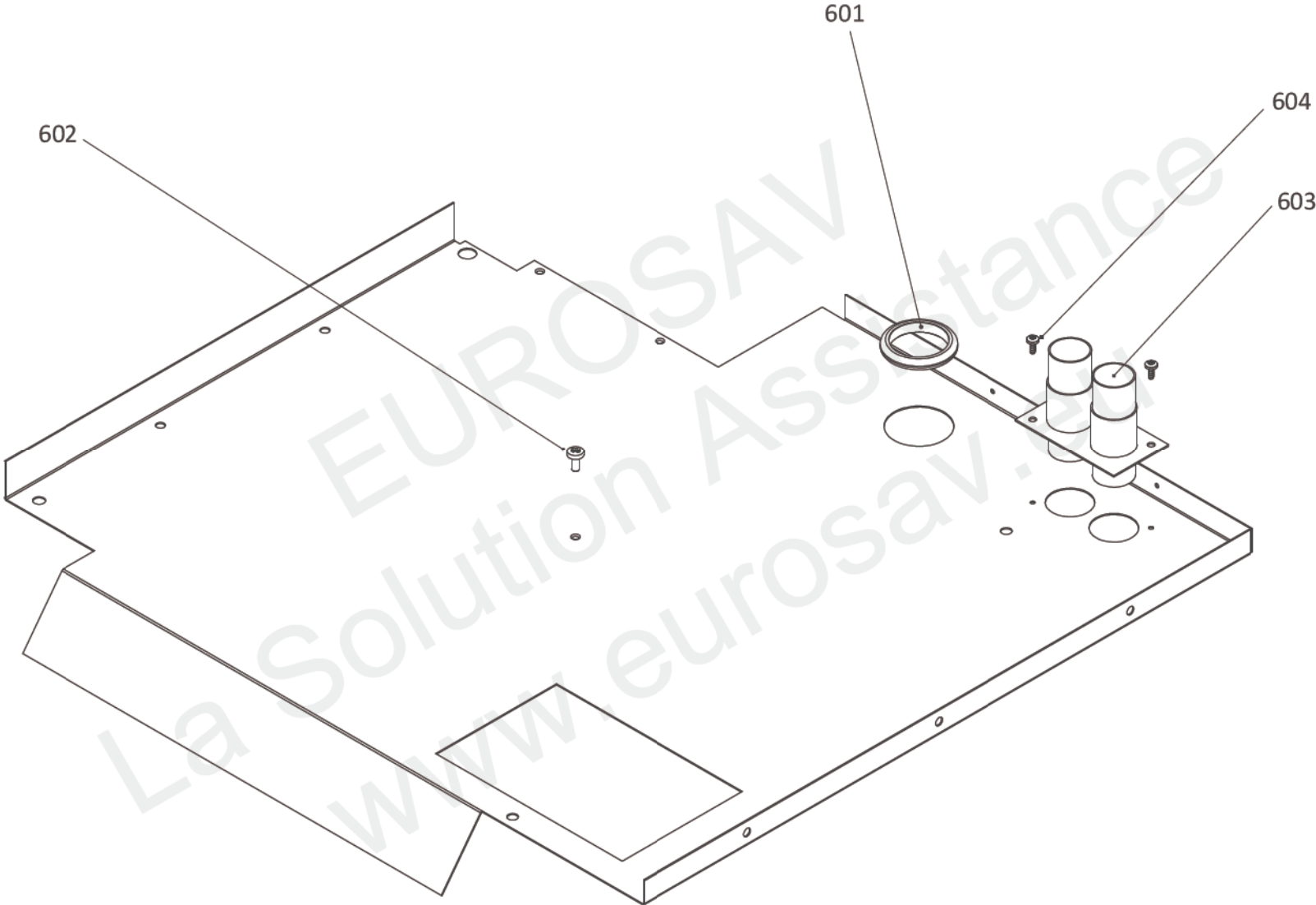


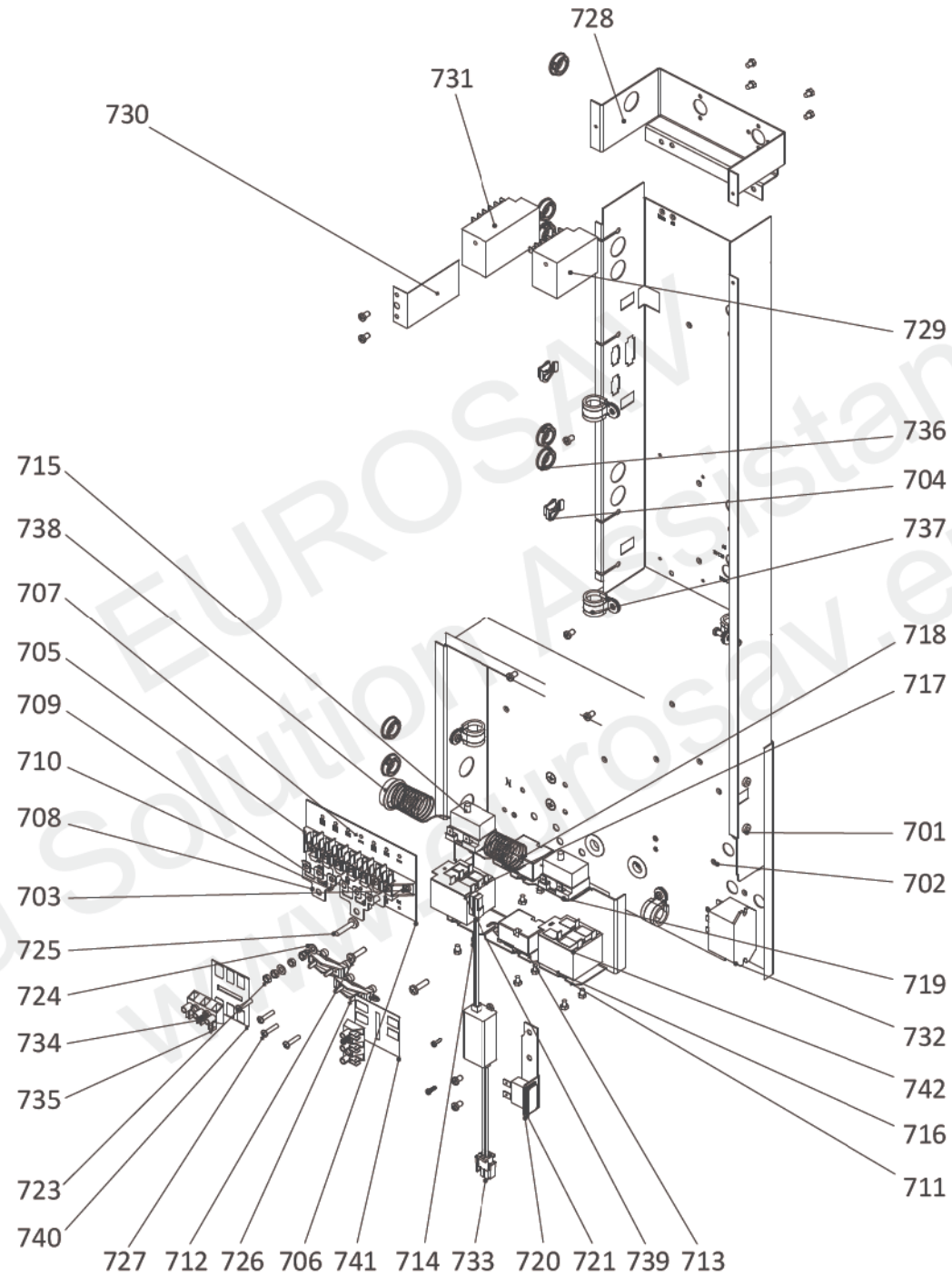


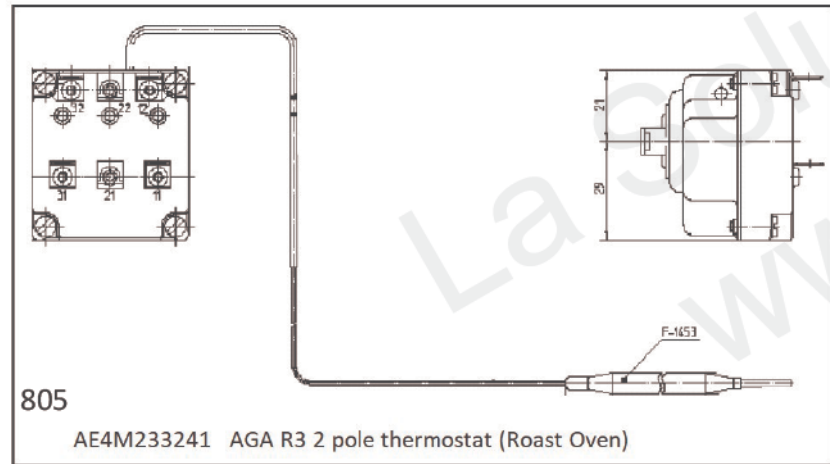
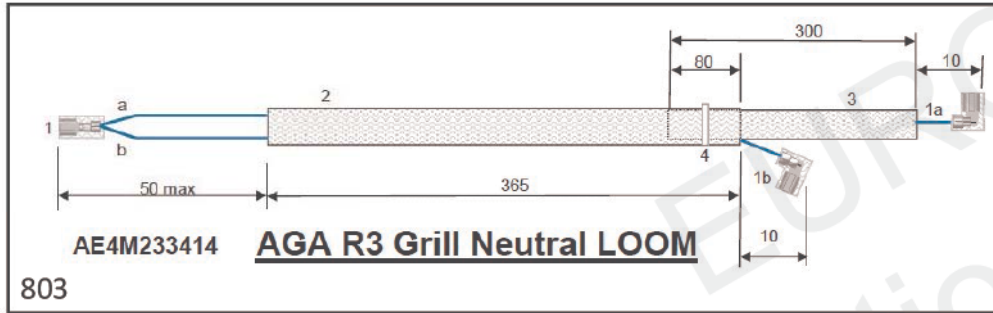
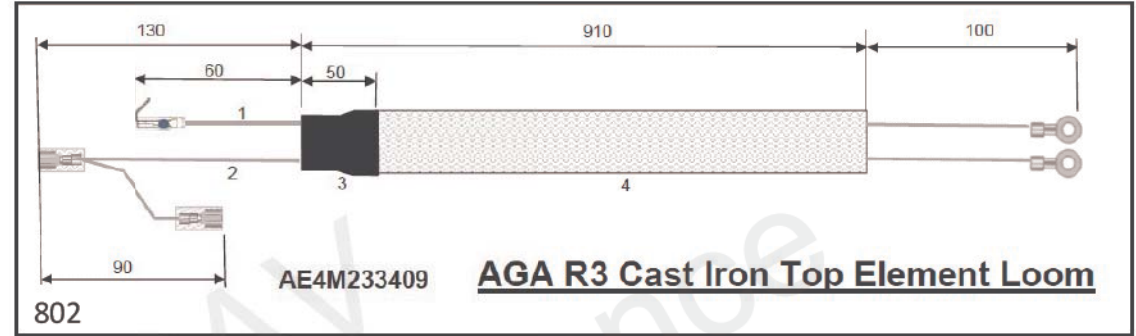
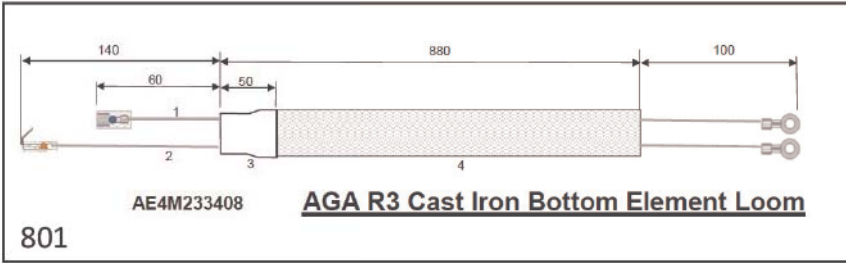
R3 100i FRAME WORK ASSEMBLY

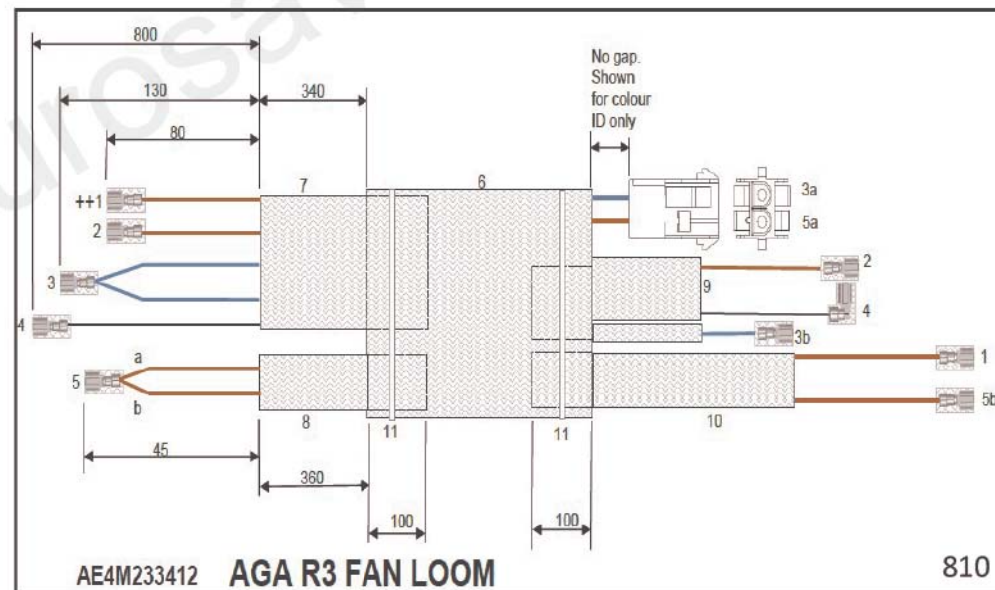
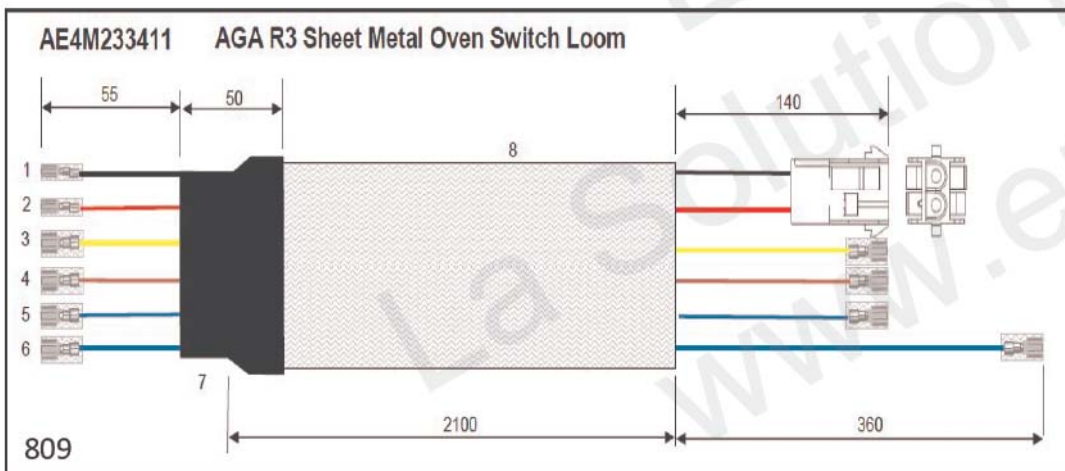
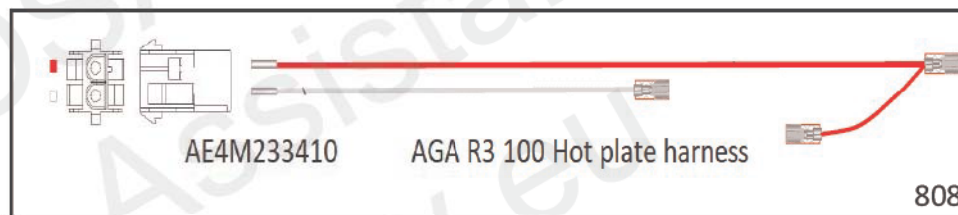
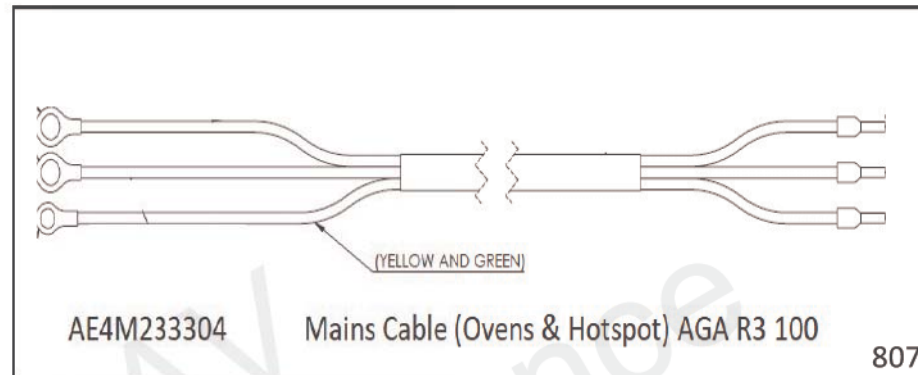
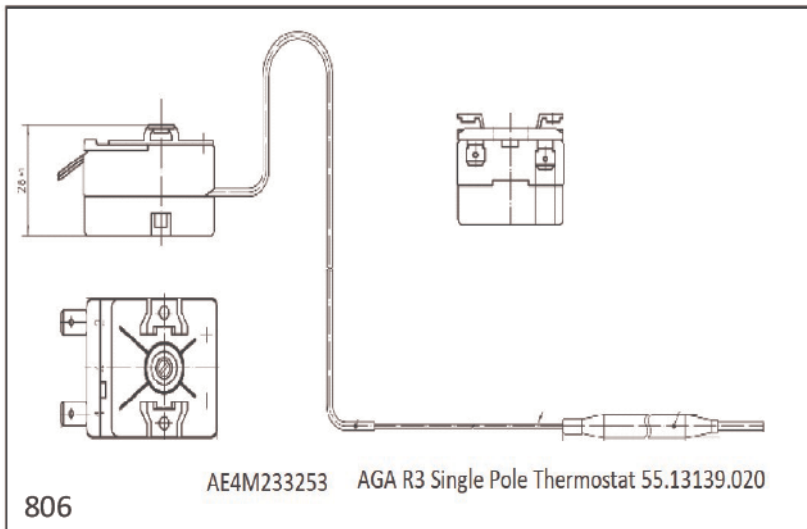
SPAR680013 P05

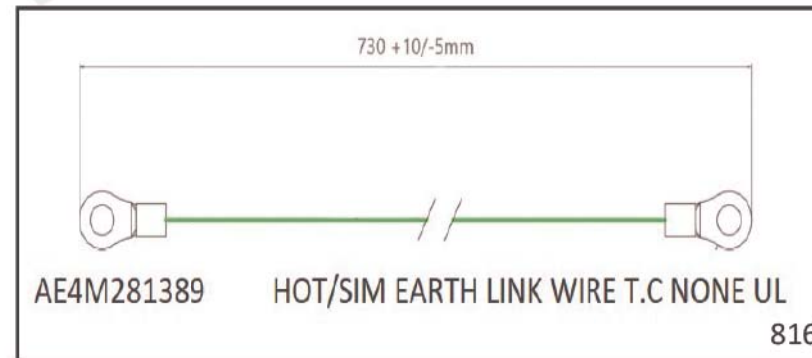
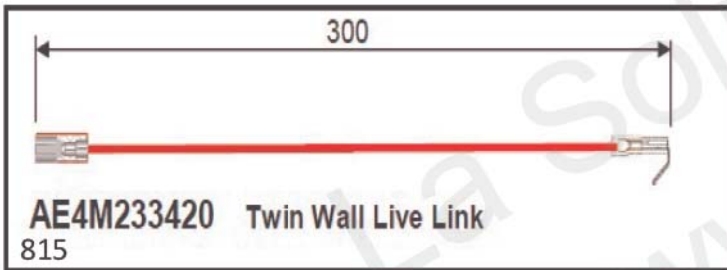
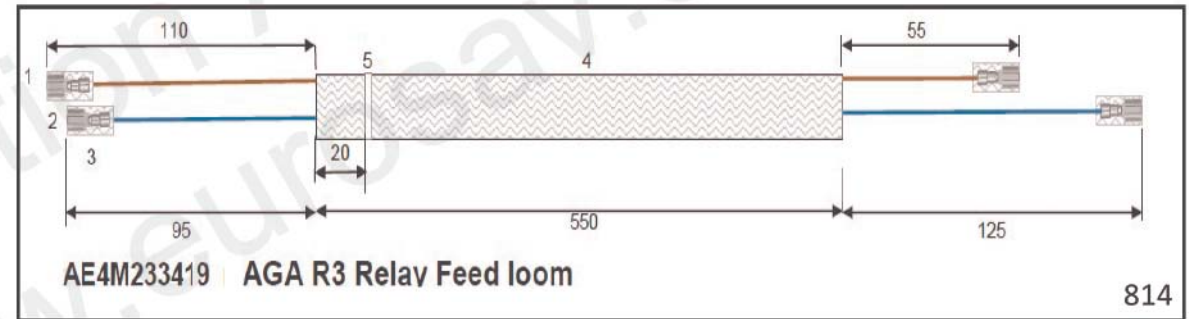
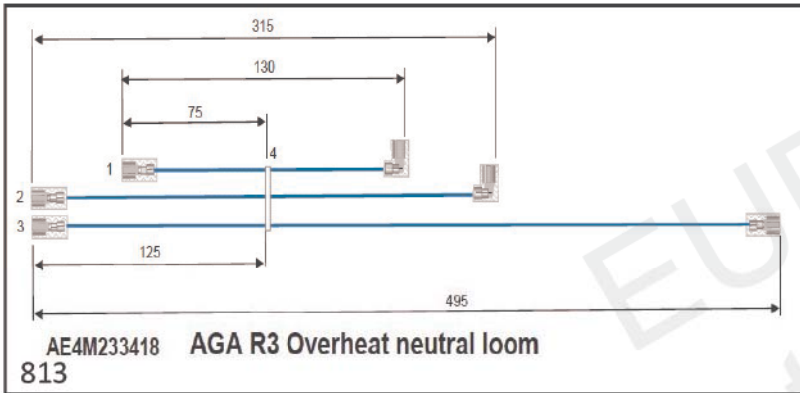
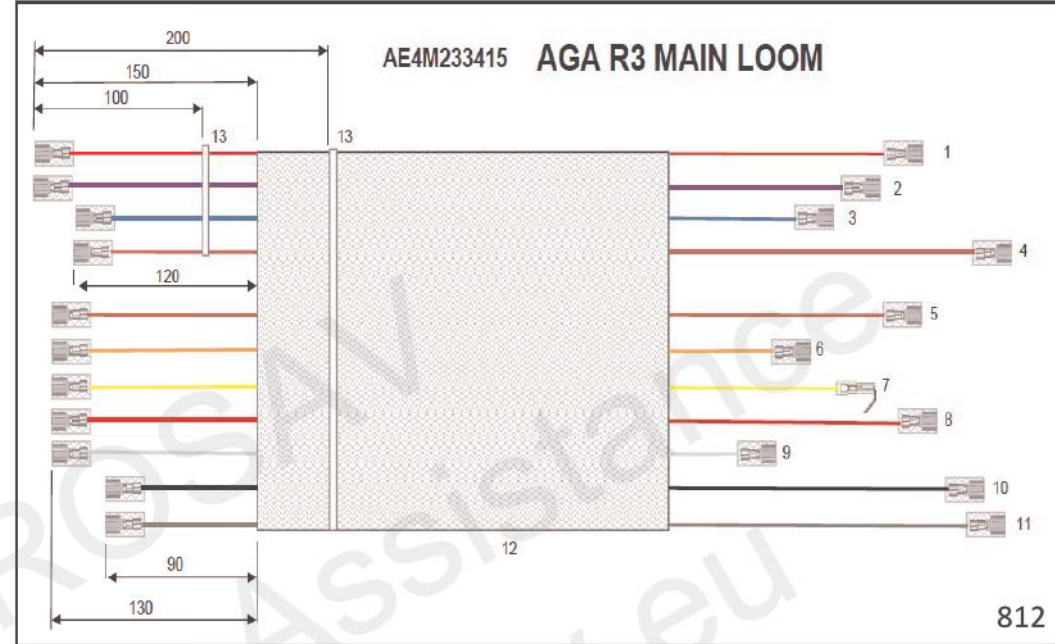
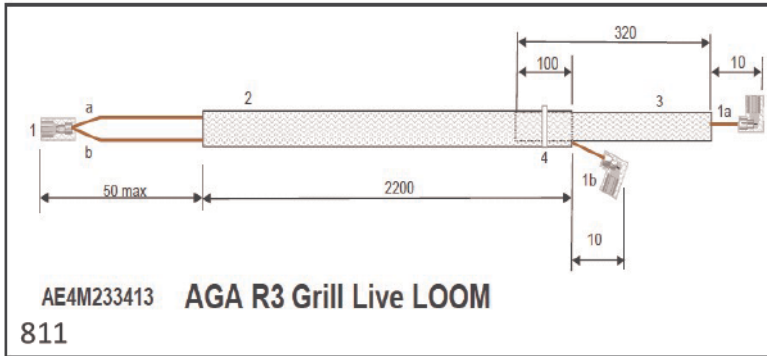






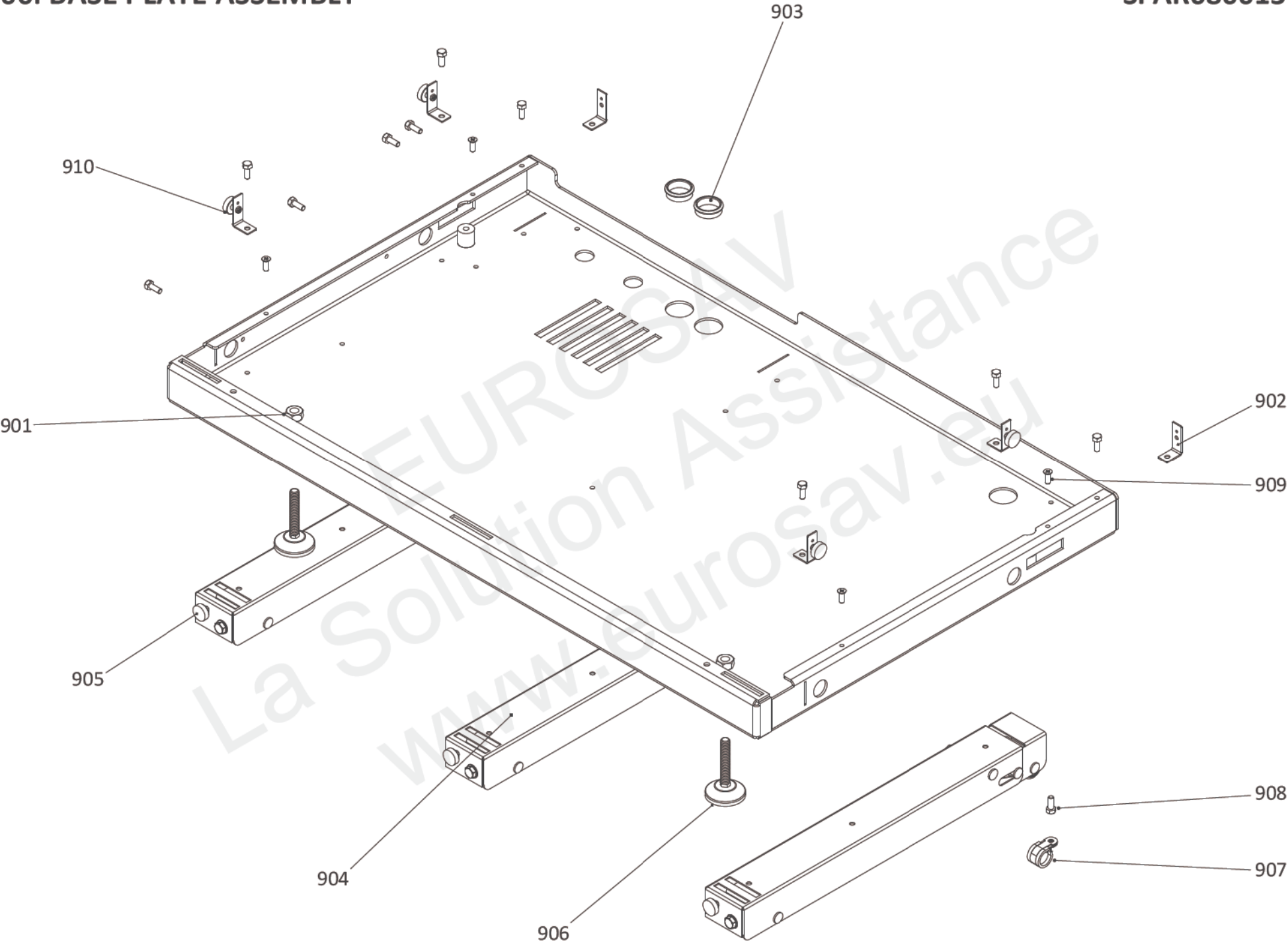


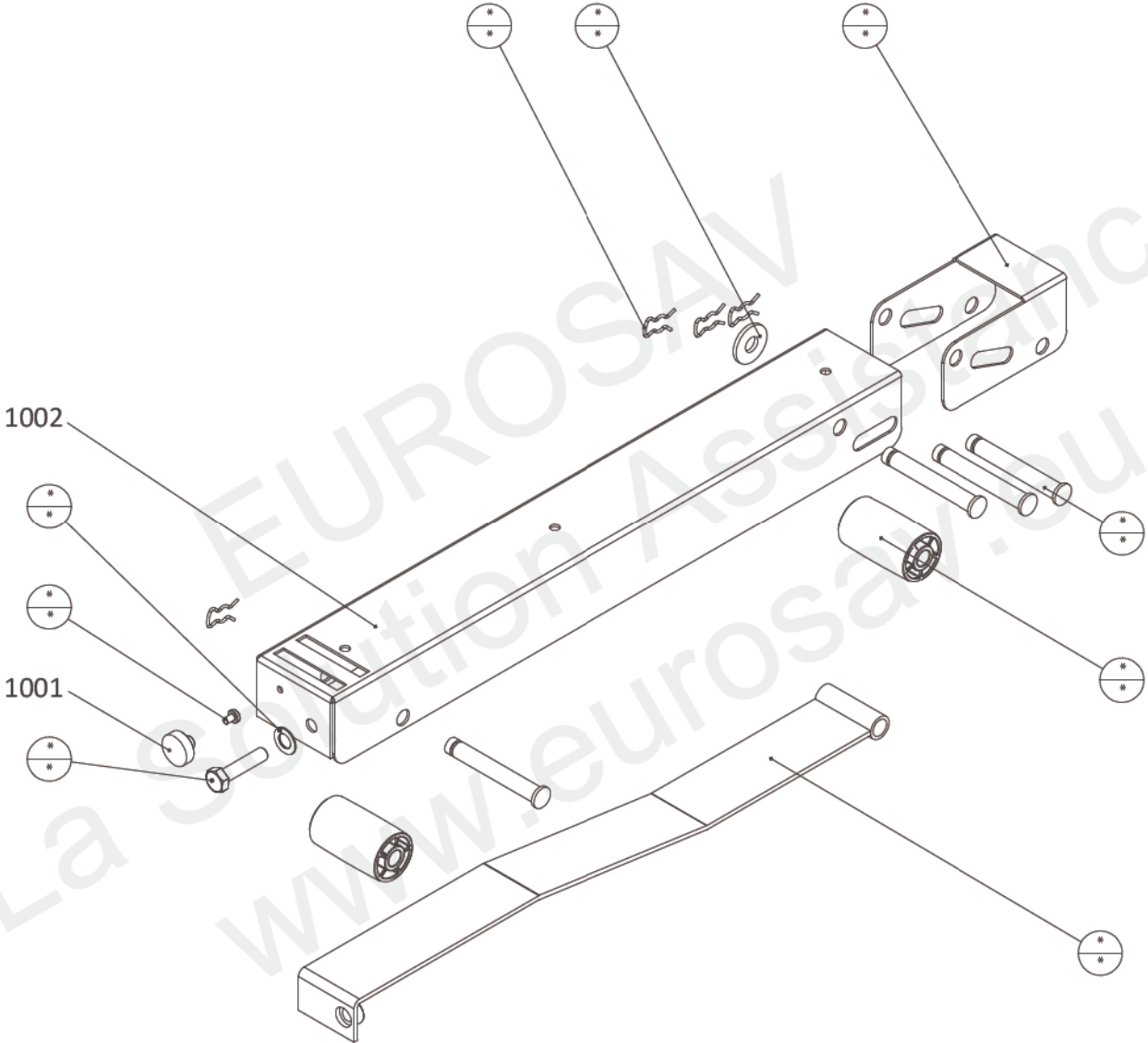


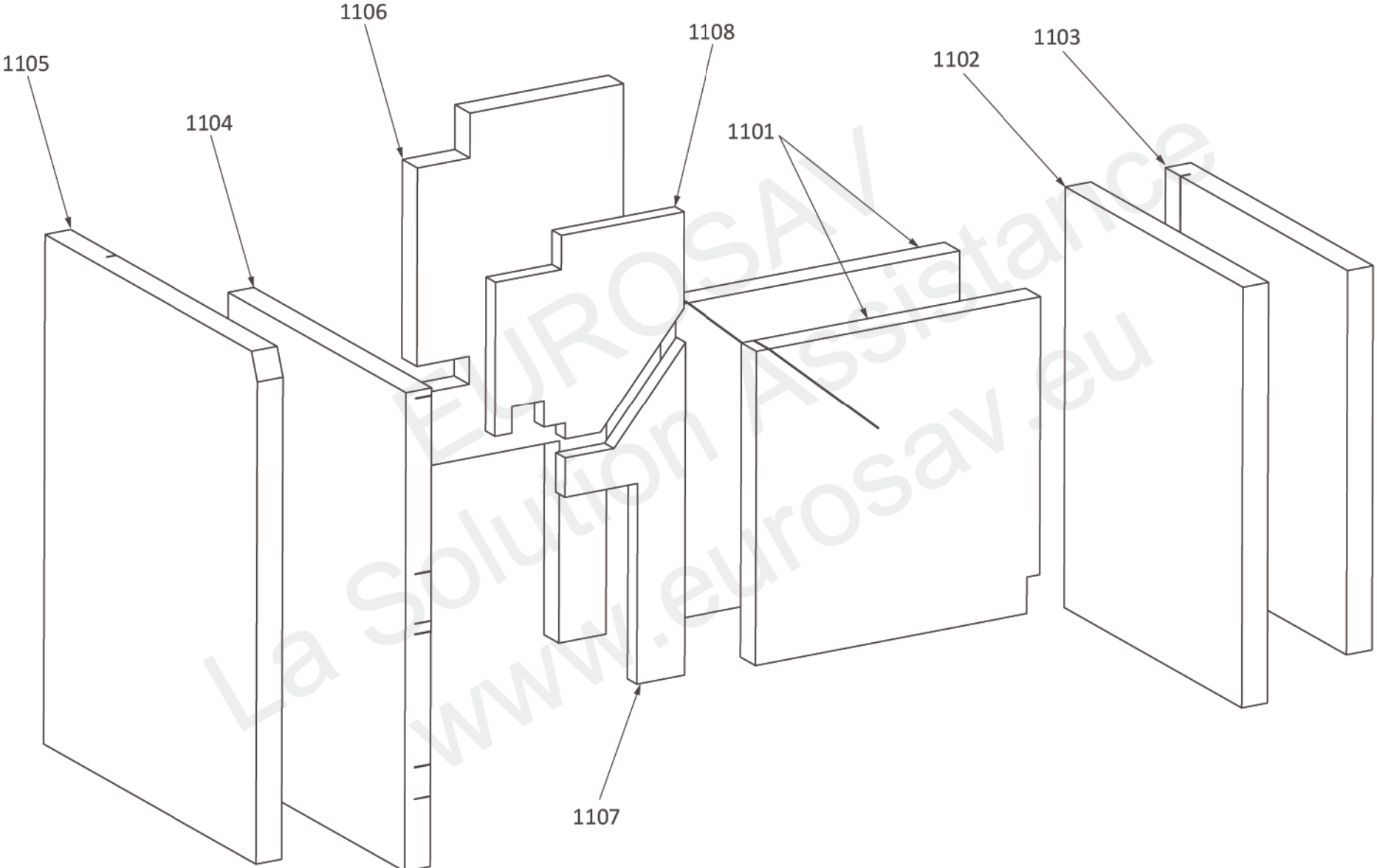


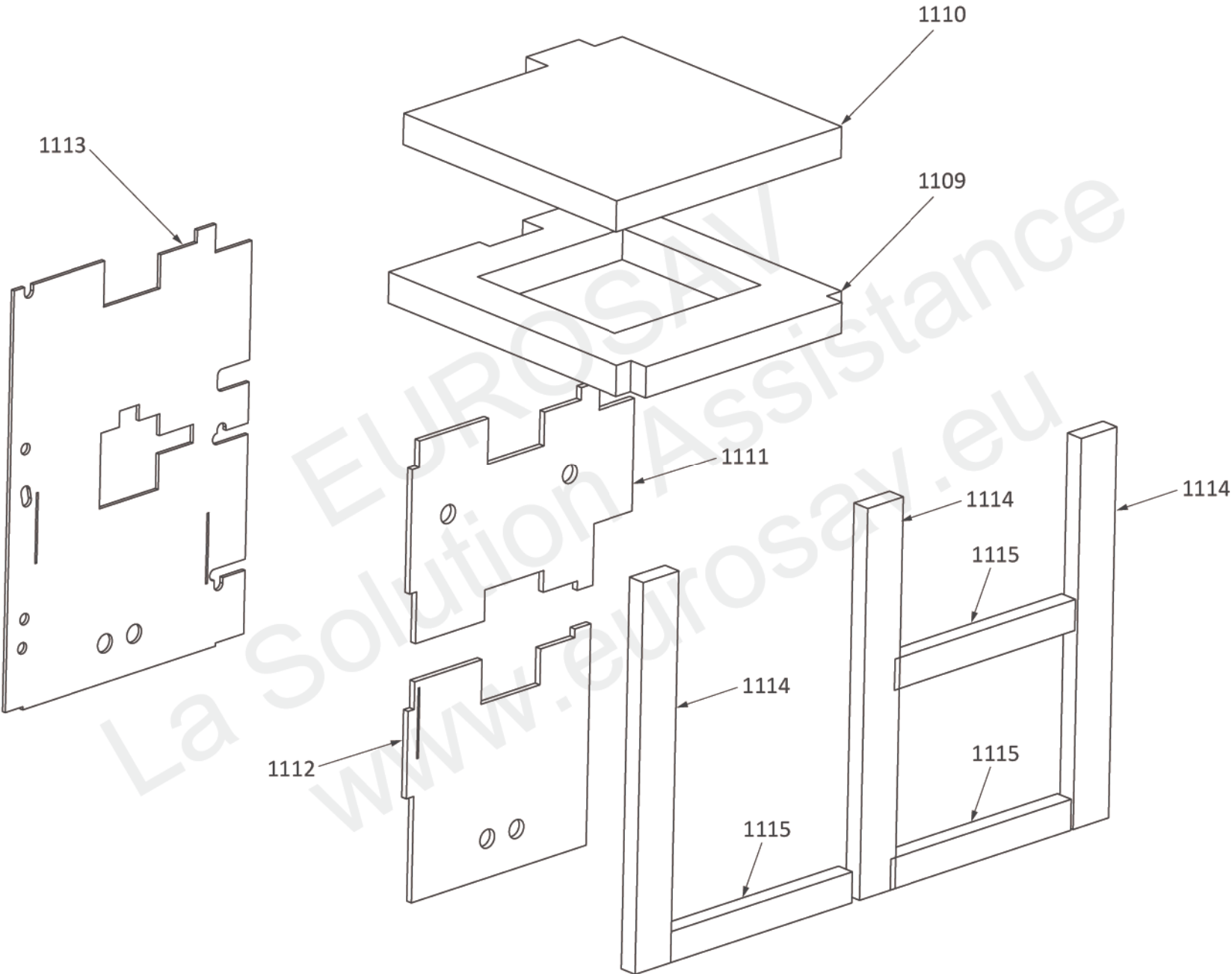
R3 100i BASE PLATE ASSEMBLY

SPAR680013 P09

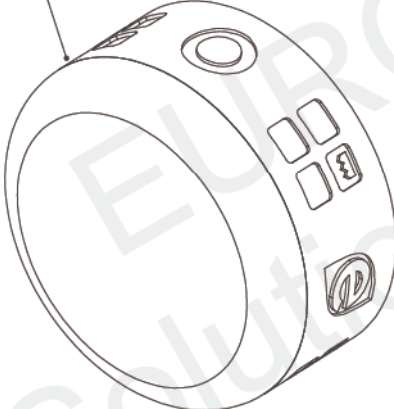




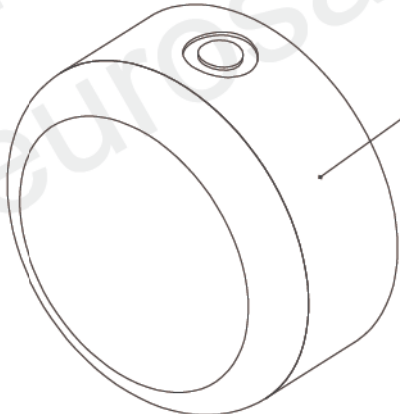




1201

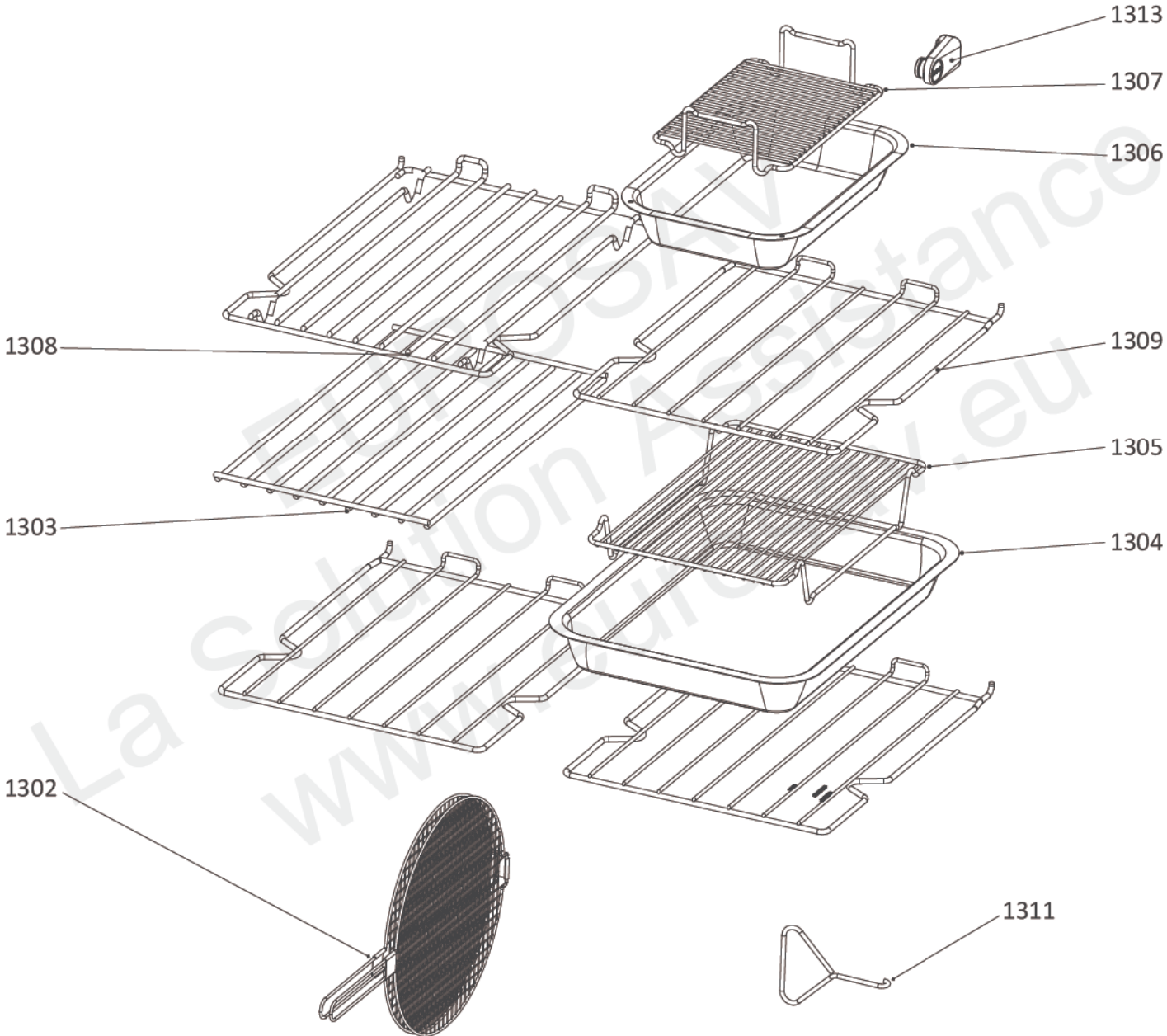


1202

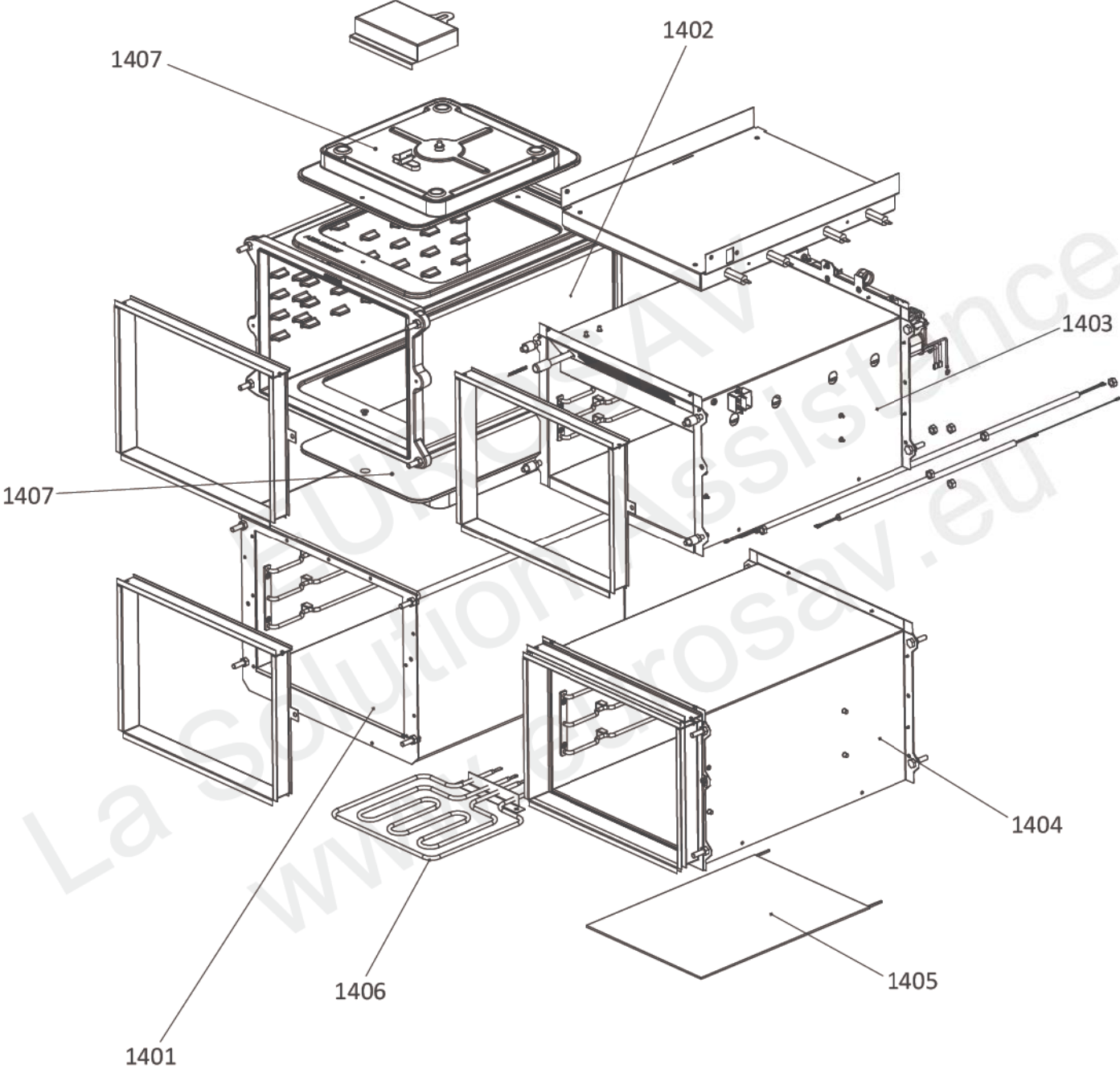


R3 100i CONTROL KNOBS

SPAR680013 P13



Not illustrated
1310
1301
1312



R3 100i GRILL ASSEMBLY

SPAR680013 P15

