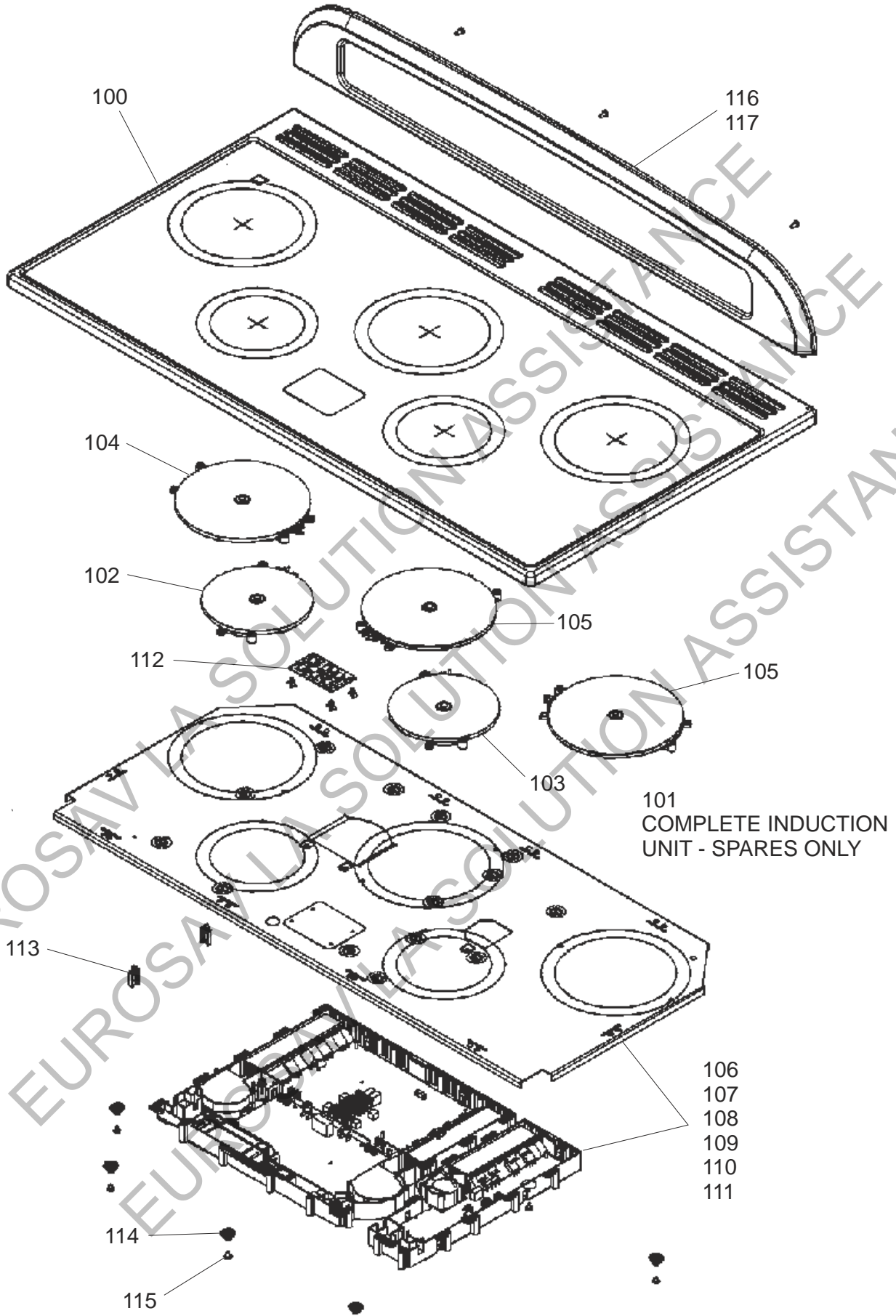


**APPLIANCE NAME:**  
**AGA MASTERCHEF 110 XL INDUCTION**

**DSL0505 P00**

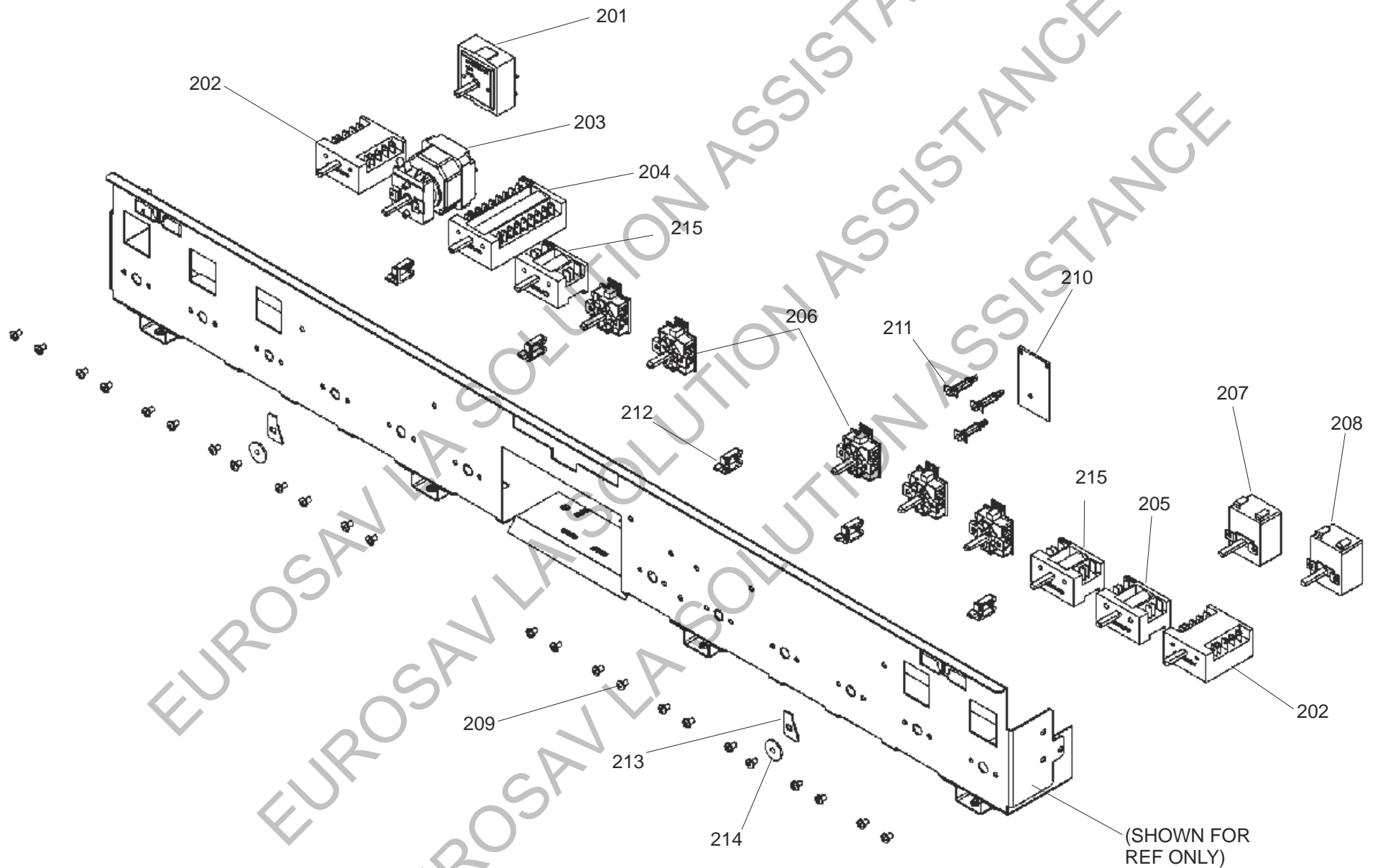
DATE:21.03.12 ISSUE STATUS 01





# AGA MASTERCHEF 110 XL INDUCTION

**DSL0505 P02**  
DATE 22.08.12 ISSUE STATUS 02

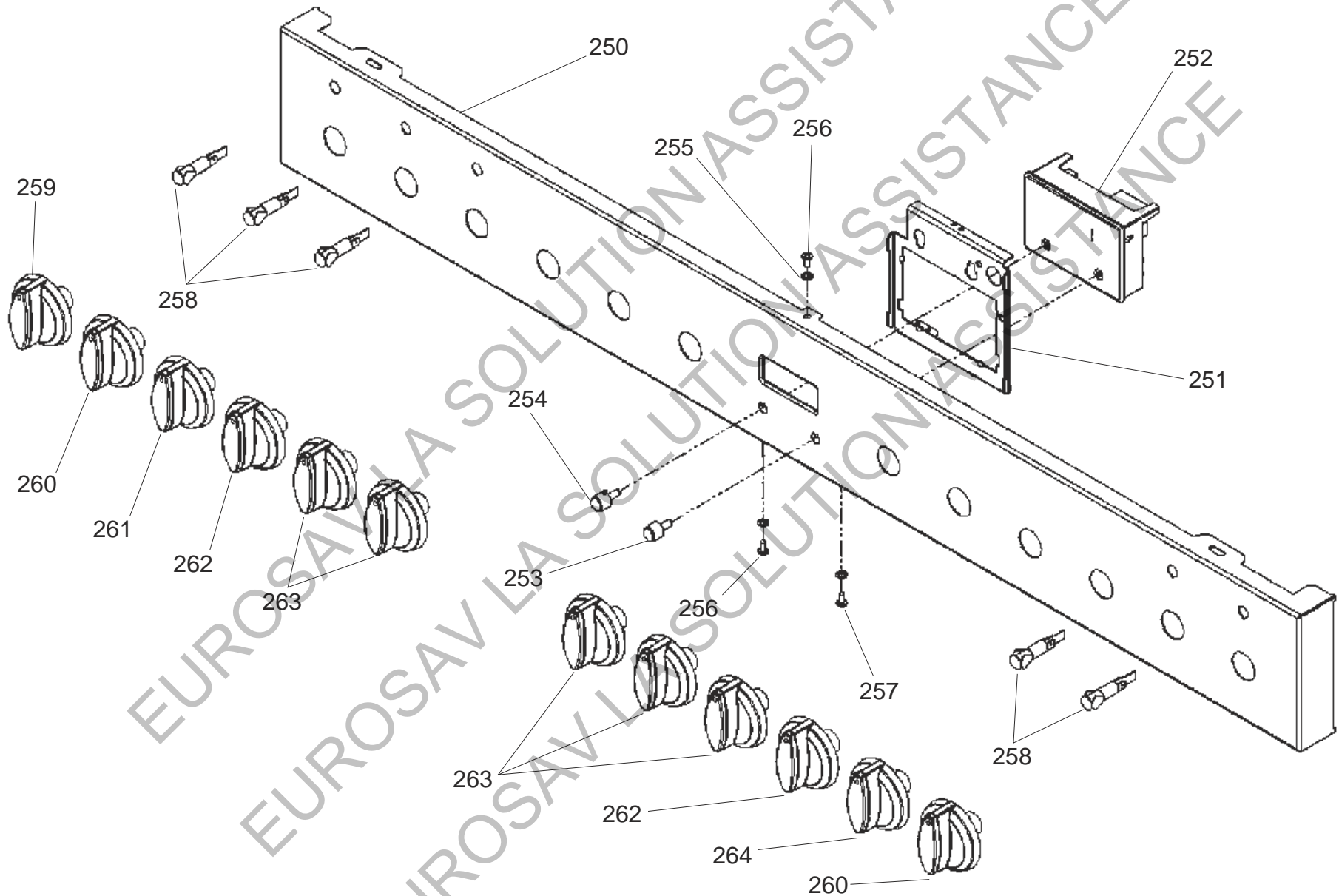


## CONTROL ASSEMBLY

**AGA MASTERCHEF 110 XL INDUCTION**

**DSL0505 P03**

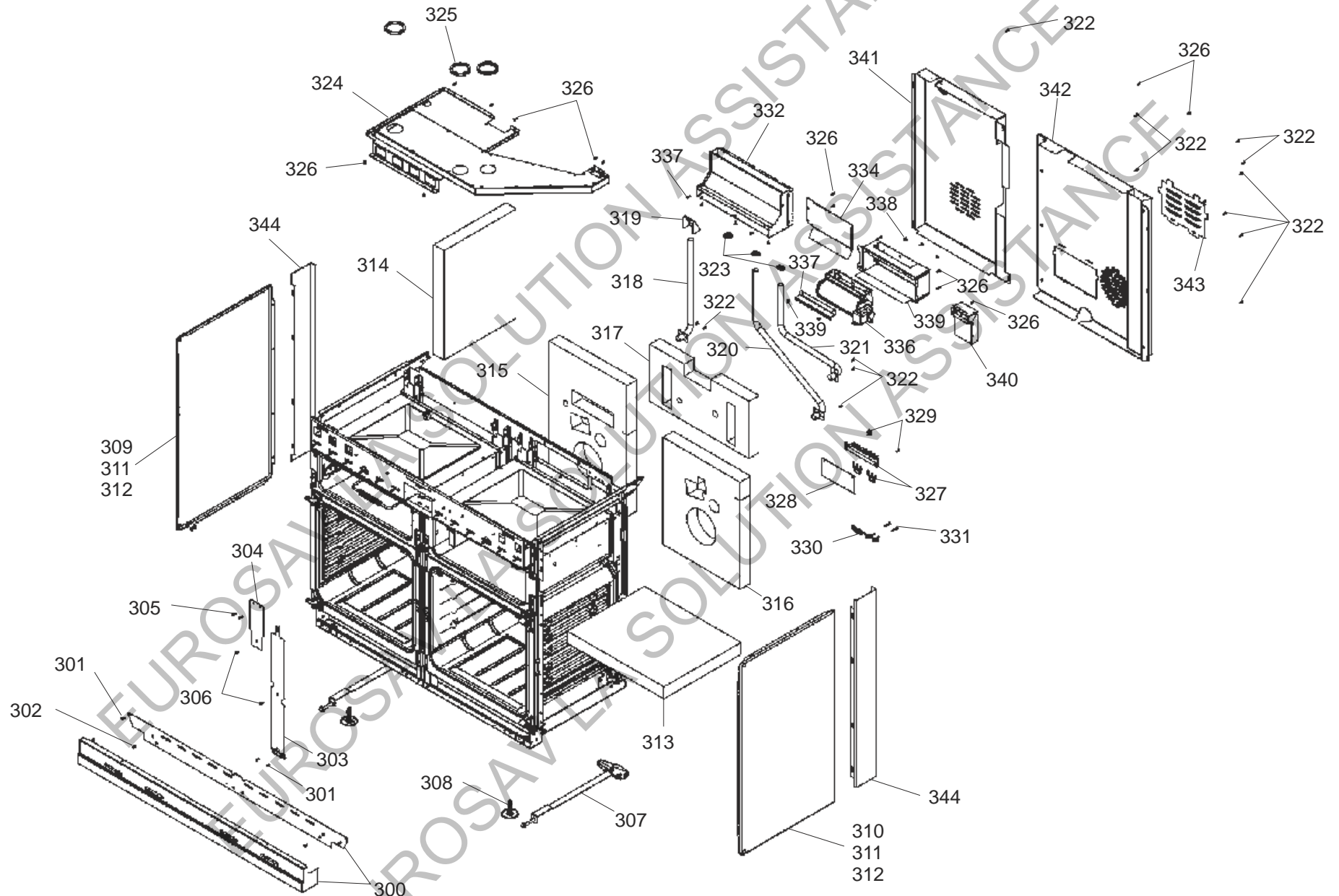
DATE 21.03.12 ISSUE STATUS 01



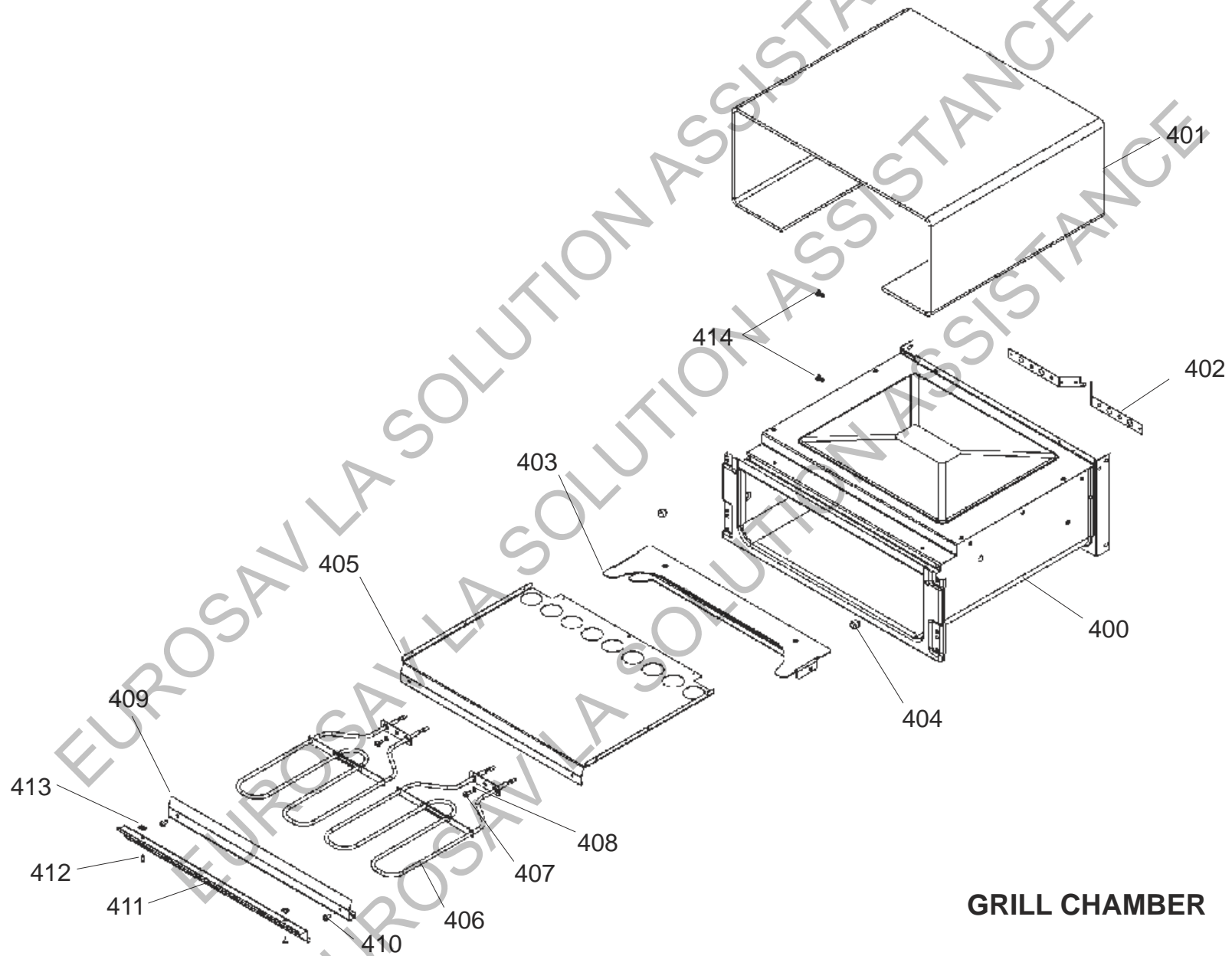
**FACIA - CONTROLS - KNOBS**

# AGA MASTERCHEF 110 XL INDUCTION

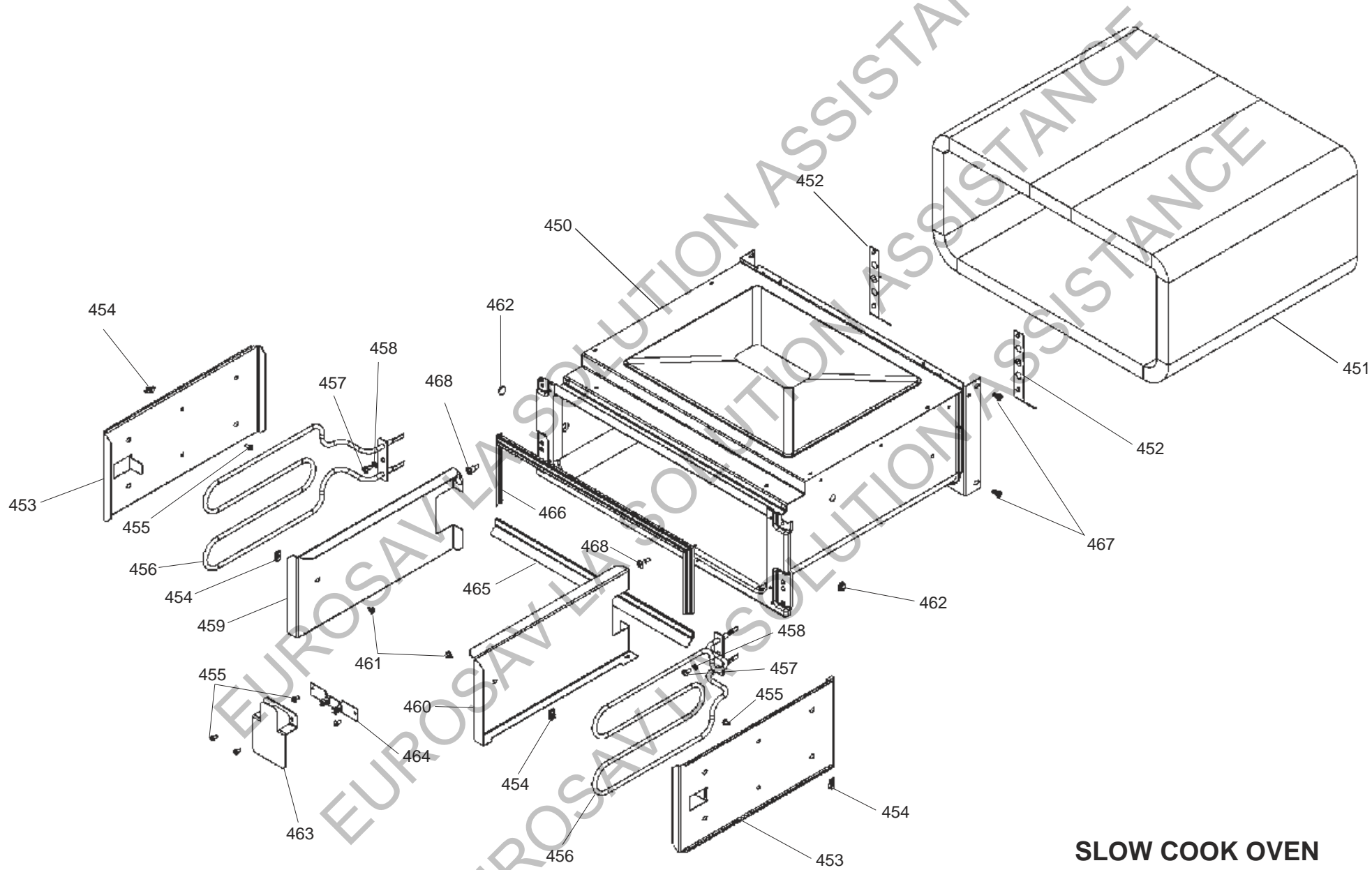
**DSL0505 P04**  
DATE 21.03.12 ISSUE STATUS 01



## CHASSIS AND FRAME ASSEMBLY



**GRILL CHAMBER**



**SLOW COOK OVEN**



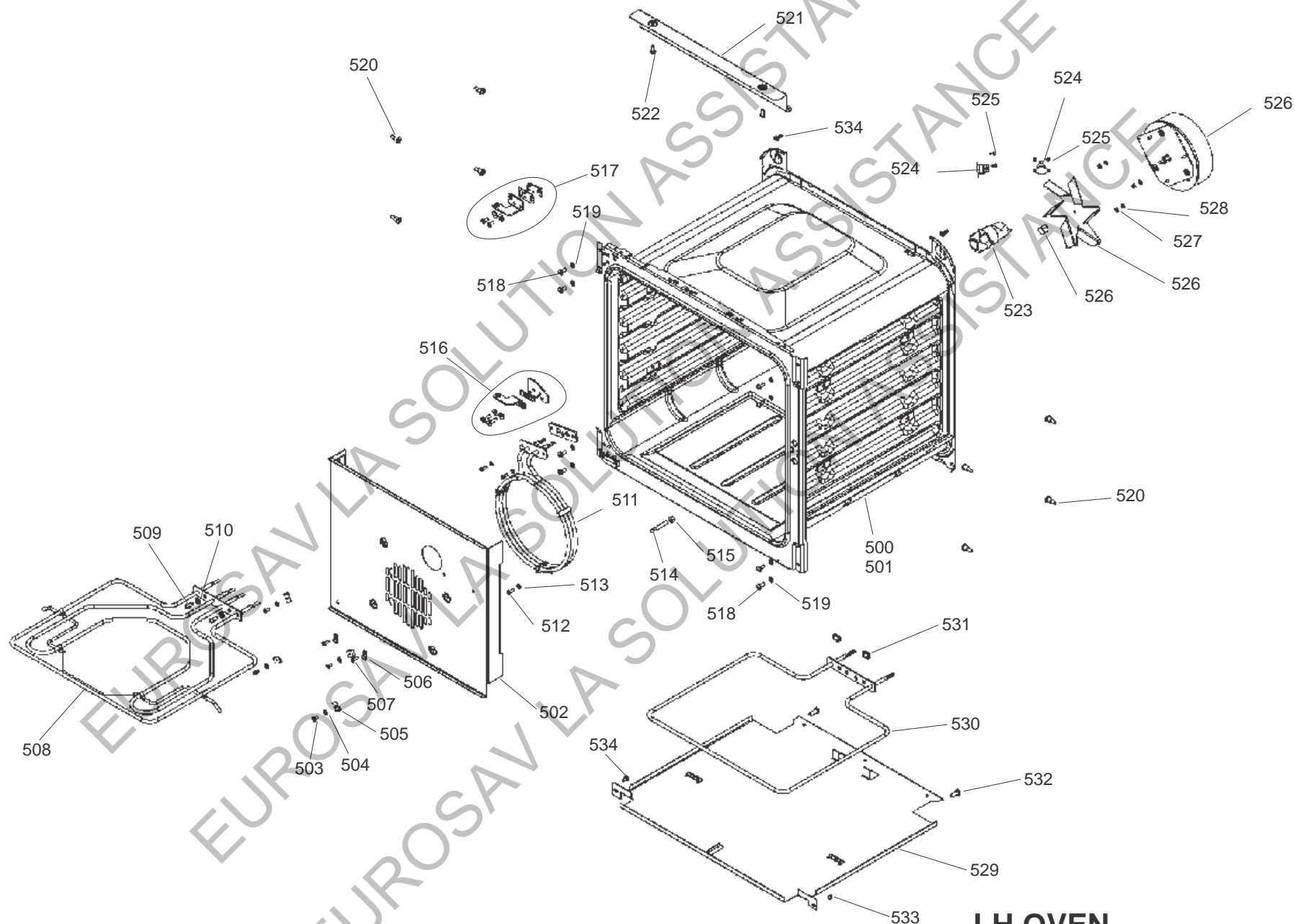
# AGA MASTERCHEF XL 110 INDUCTION

UP TO SERIAL NUMBER 166999

DATE 16.01.14

DSL0505 P07

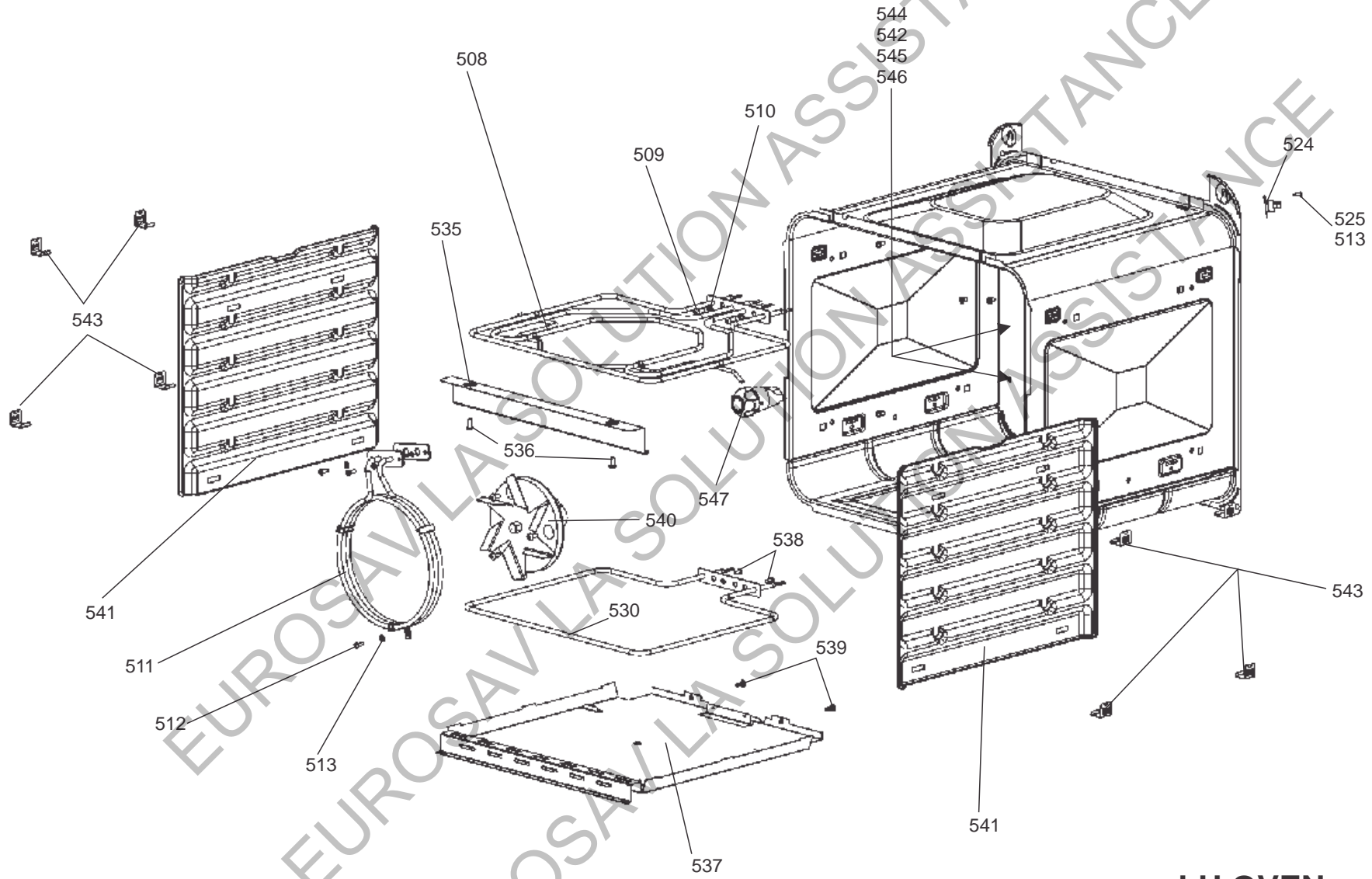
ISSUE STATUS 02



LH OVEN



FROM SERIAL NUMBER 167000



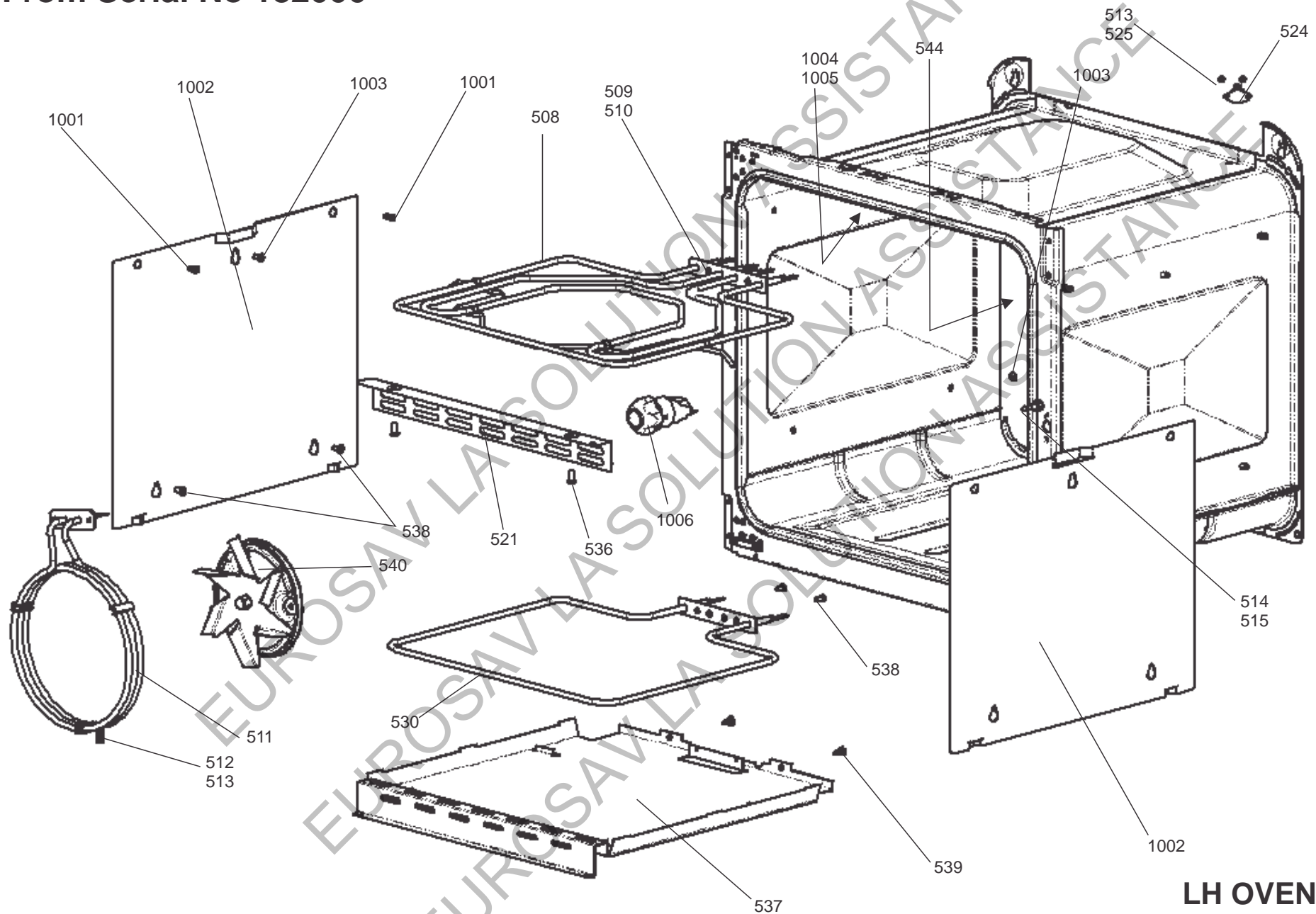
LH OVEN

# AGA MASTERCHEF 110 XL INDUCTION

From Serial No 182000

ISSUE STATUS 01  
DATE 16.03.16

# DSL0505 P07B

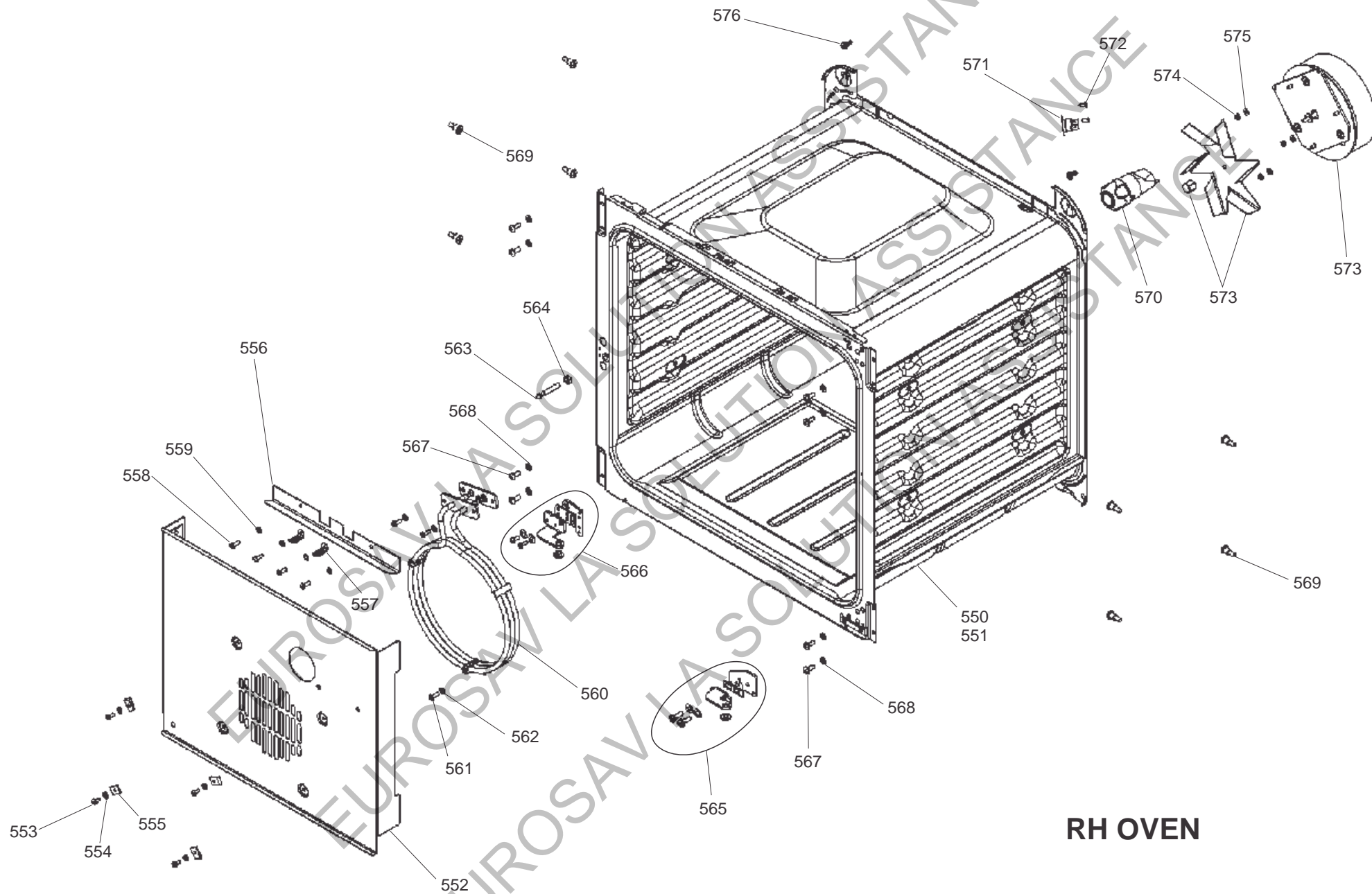


LH OVEN

**AGA MASTERCHEF XL 110 INDUCTION**  
UP TO SERIAL NUMBER 166999

DATE 16.01.14

DSL0505 P08  
ISSUE STATUS 02

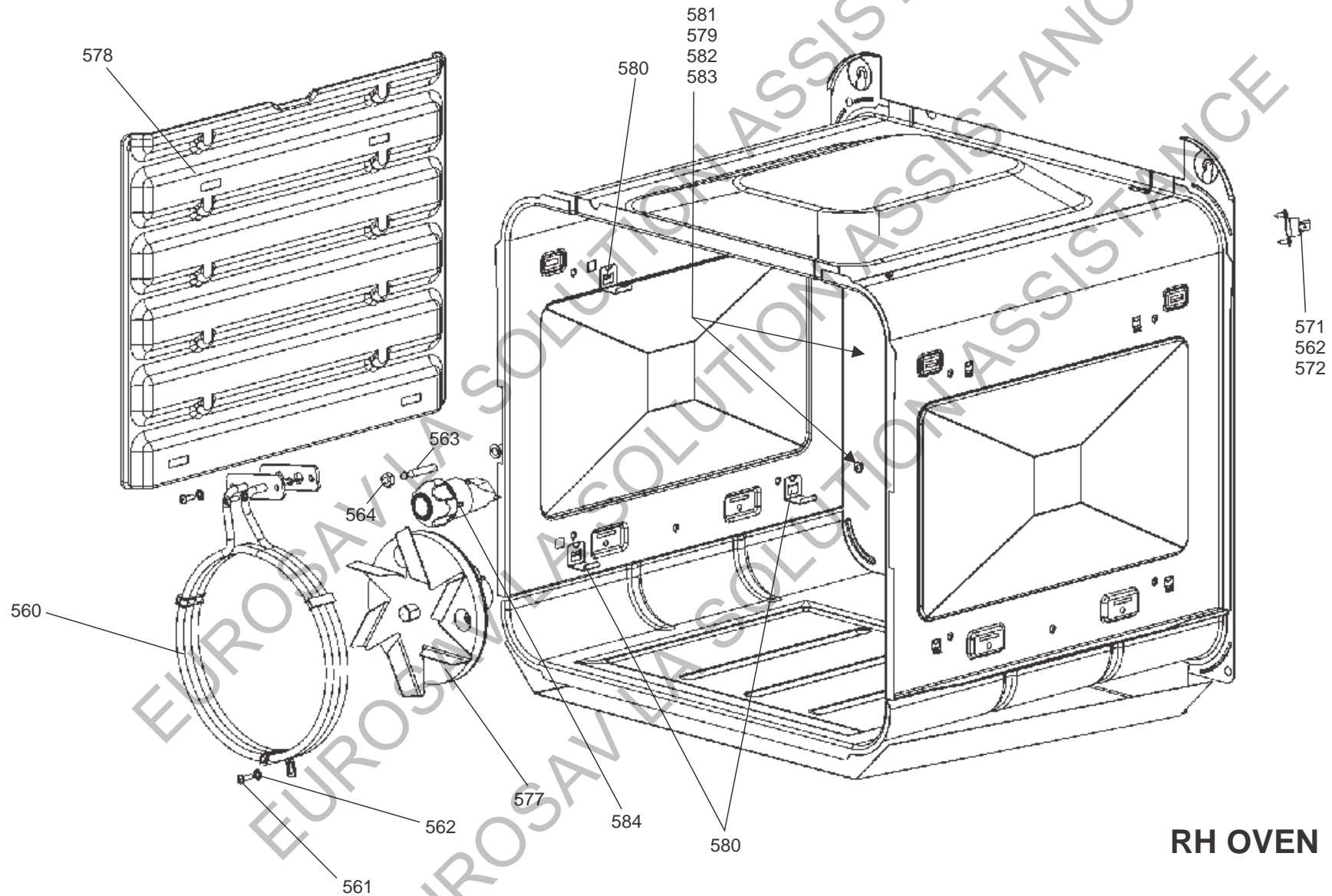


# AGA MASTERCHEF 110 XL INDUCTION

DATE 16.01.14 ISSUE STATUS 01

# DSL0505 P08A

FROM SERIAL NUMBER 167000

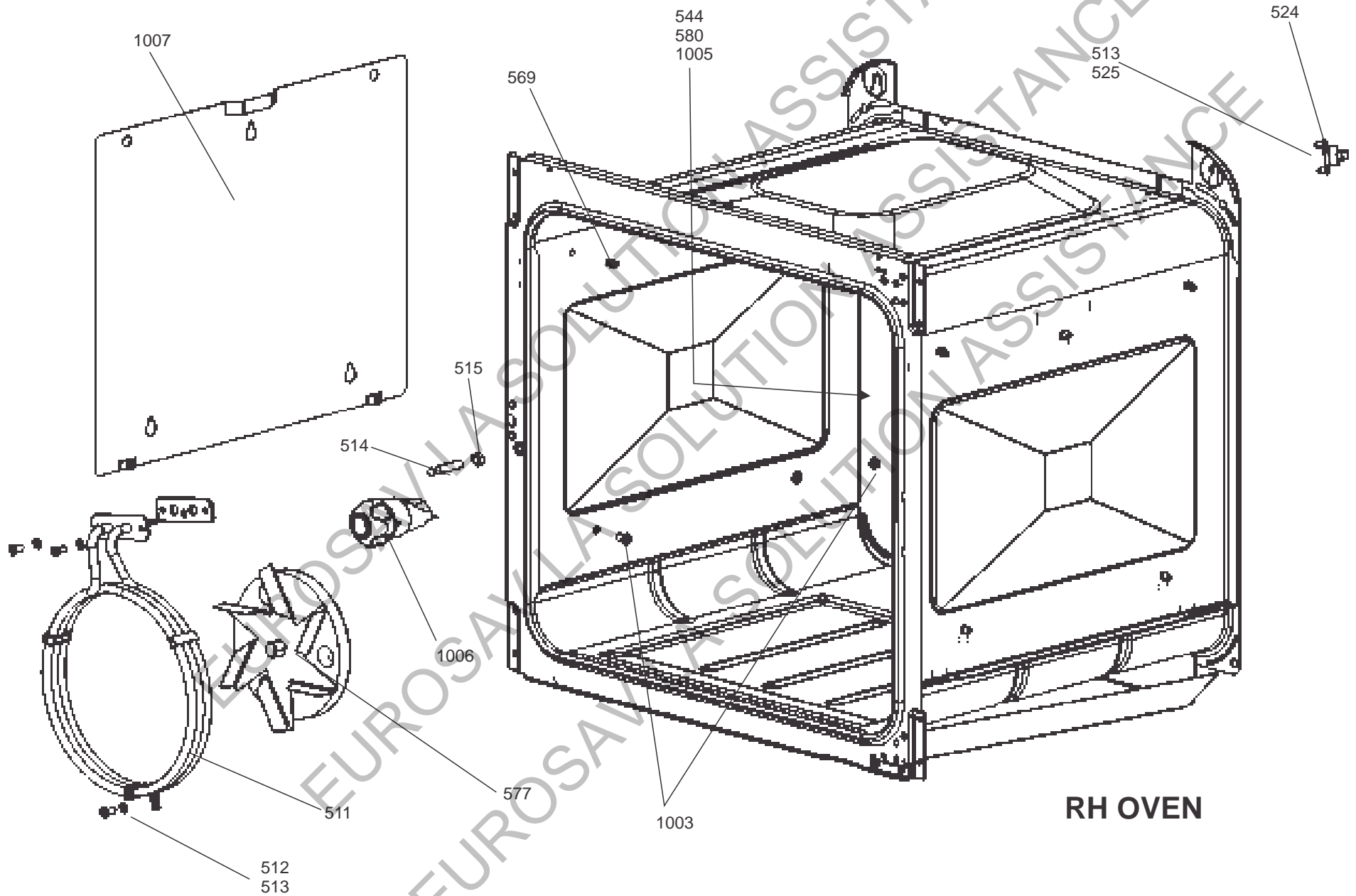


**RH OVEN**

**AGA MASTERCHEF 110 XL INDUCTION**  
**From Serial No 182000**

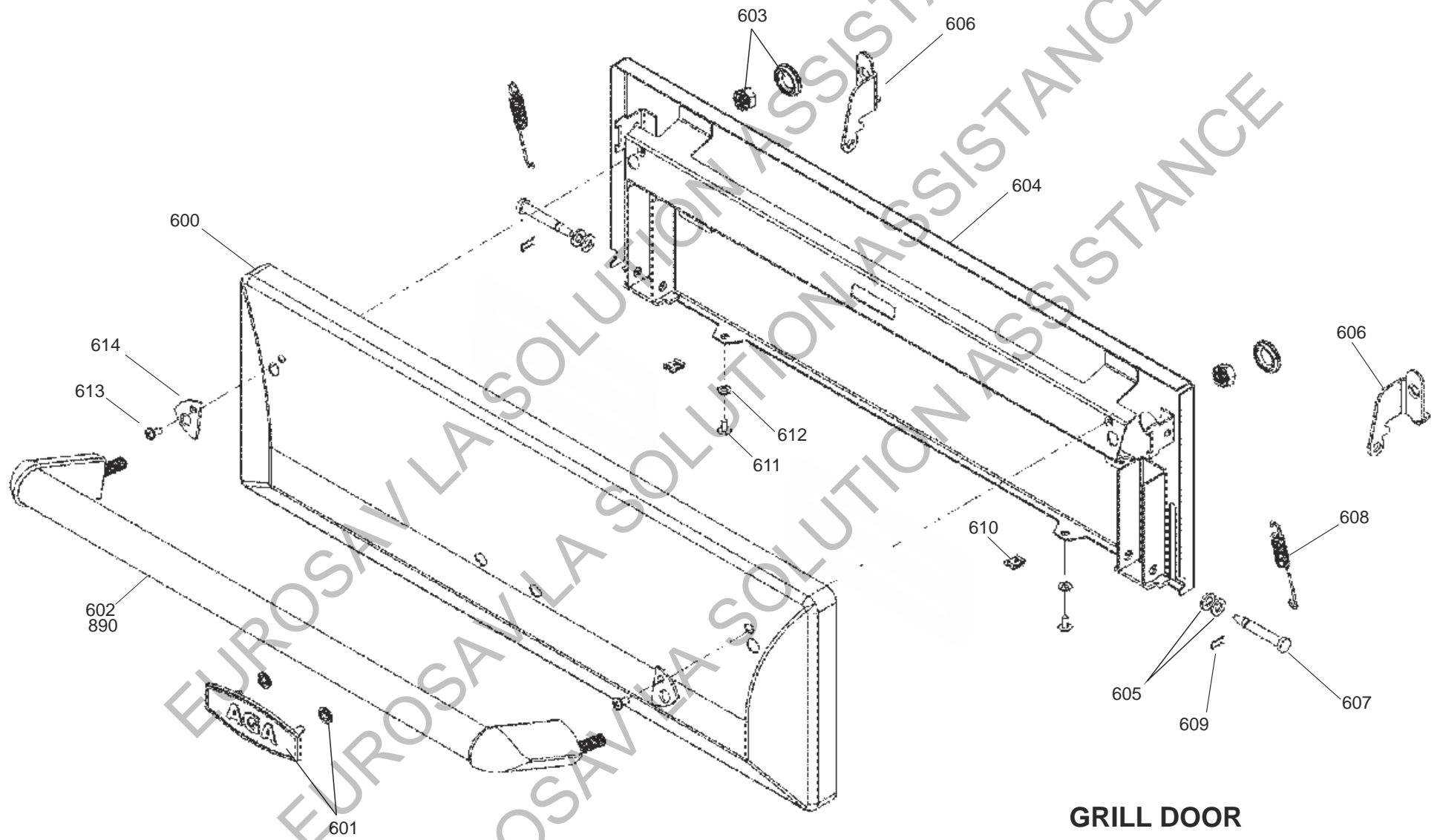
ISSUE STATUS 01  
DATE 16.03.16

**DSL0505 P08B**



# AGA MASTERCHEF 110 XL INDUCTION

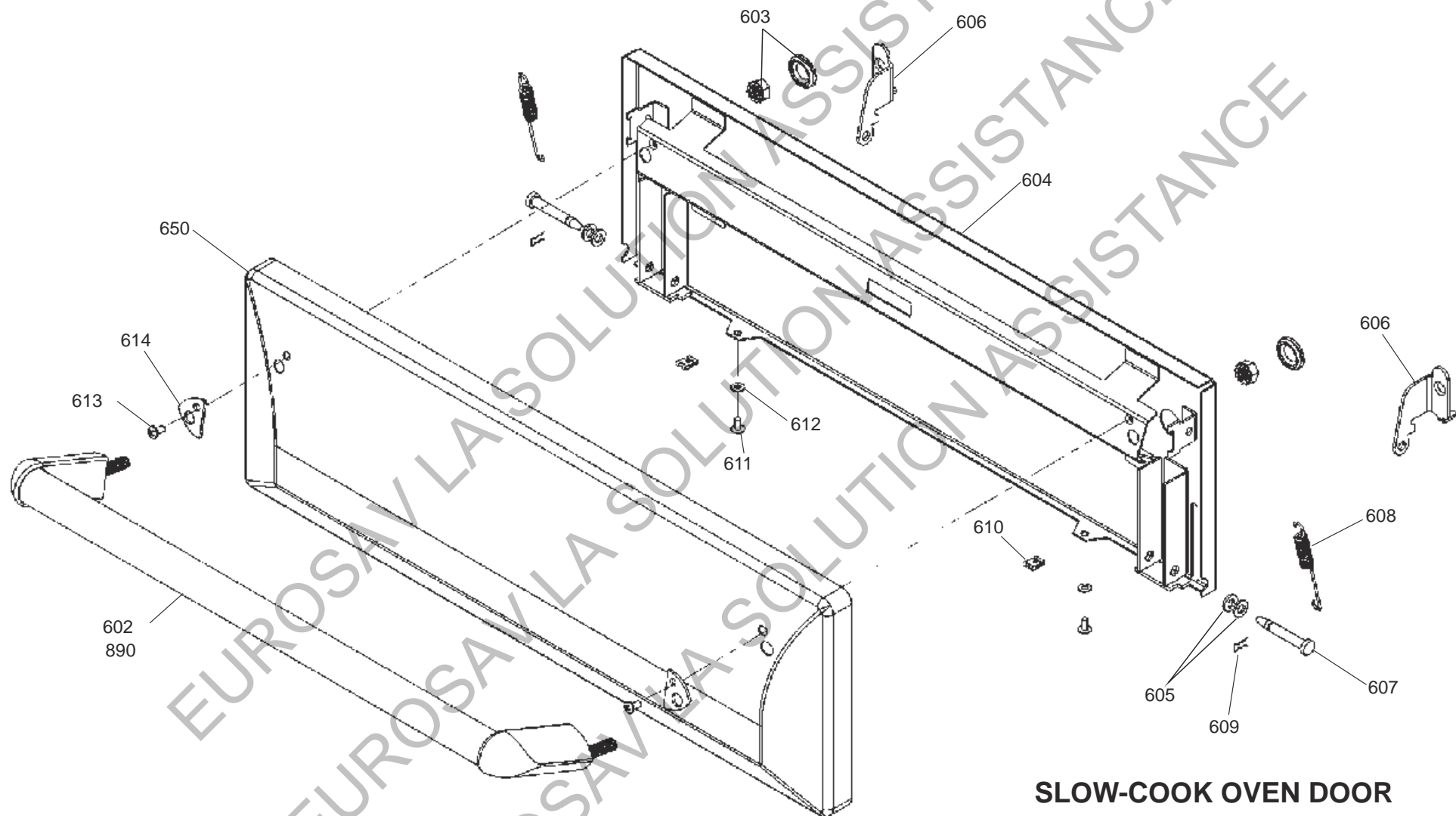
**DSL0505 P09**  
DATE 19.11.12 ISSUE STATUS 03





# AGA MASTERCHEF 110 XL INDUCTION

**DSL0505 P10**  
DATE 19.11.12 ISSUE STATUS 03

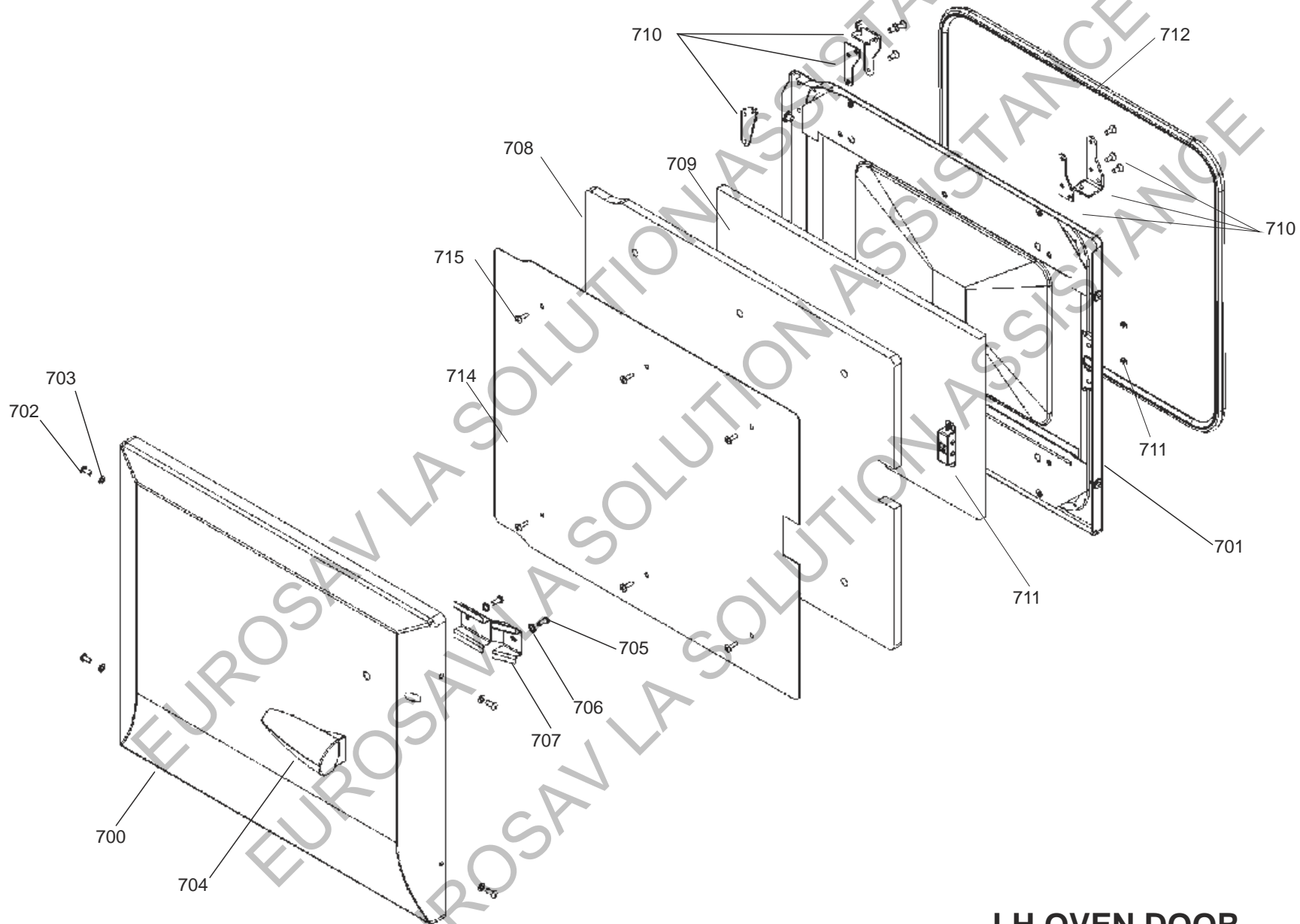


**SLOW-COOK OVEN DOOR**



# AGA MASTERCHEF 110 XL INDUCTION

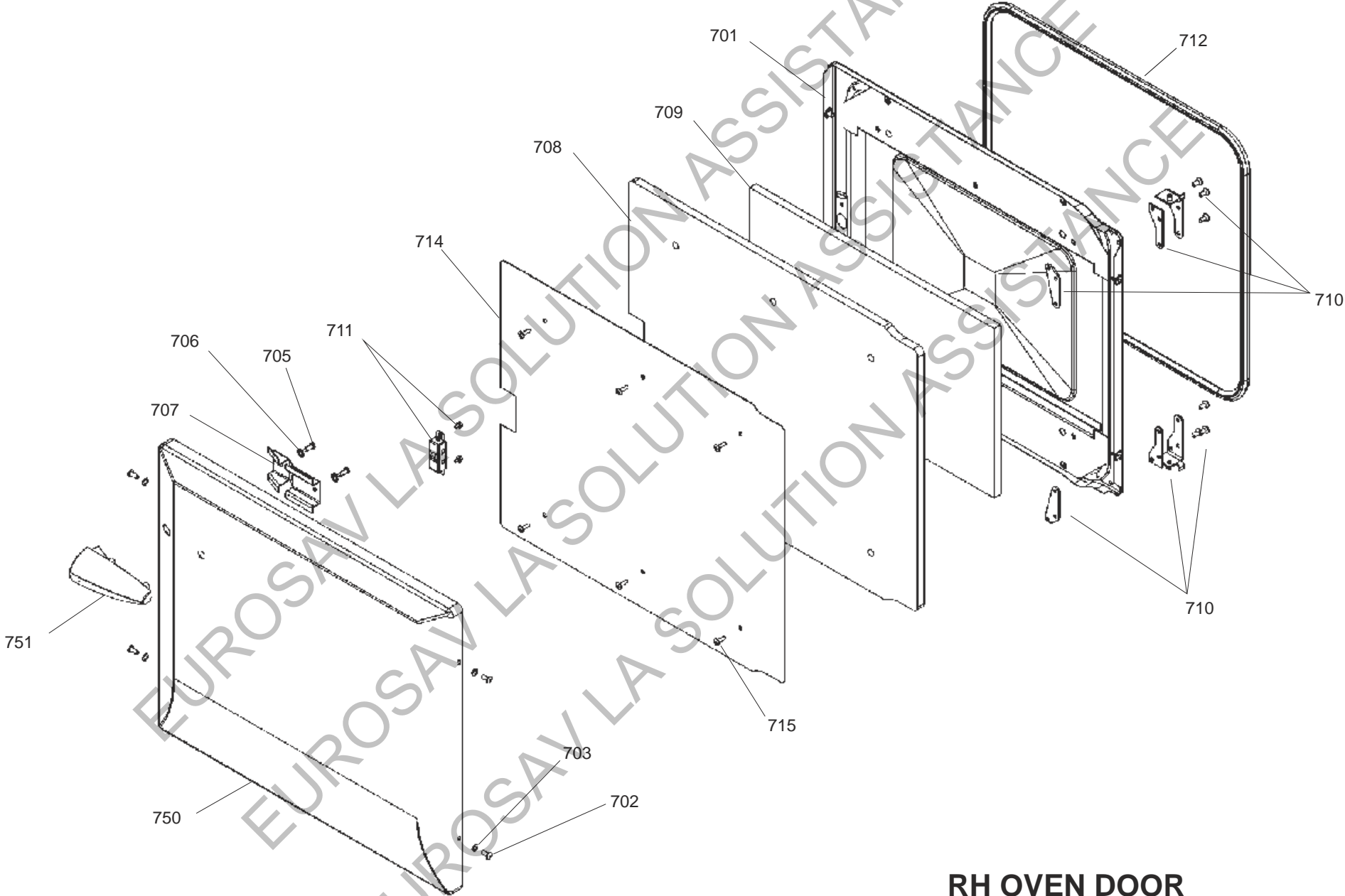
**DSL0505 P11**  
DATE 21.03.12 ISSUE STATUS 01



**LH OVEN DOOR**

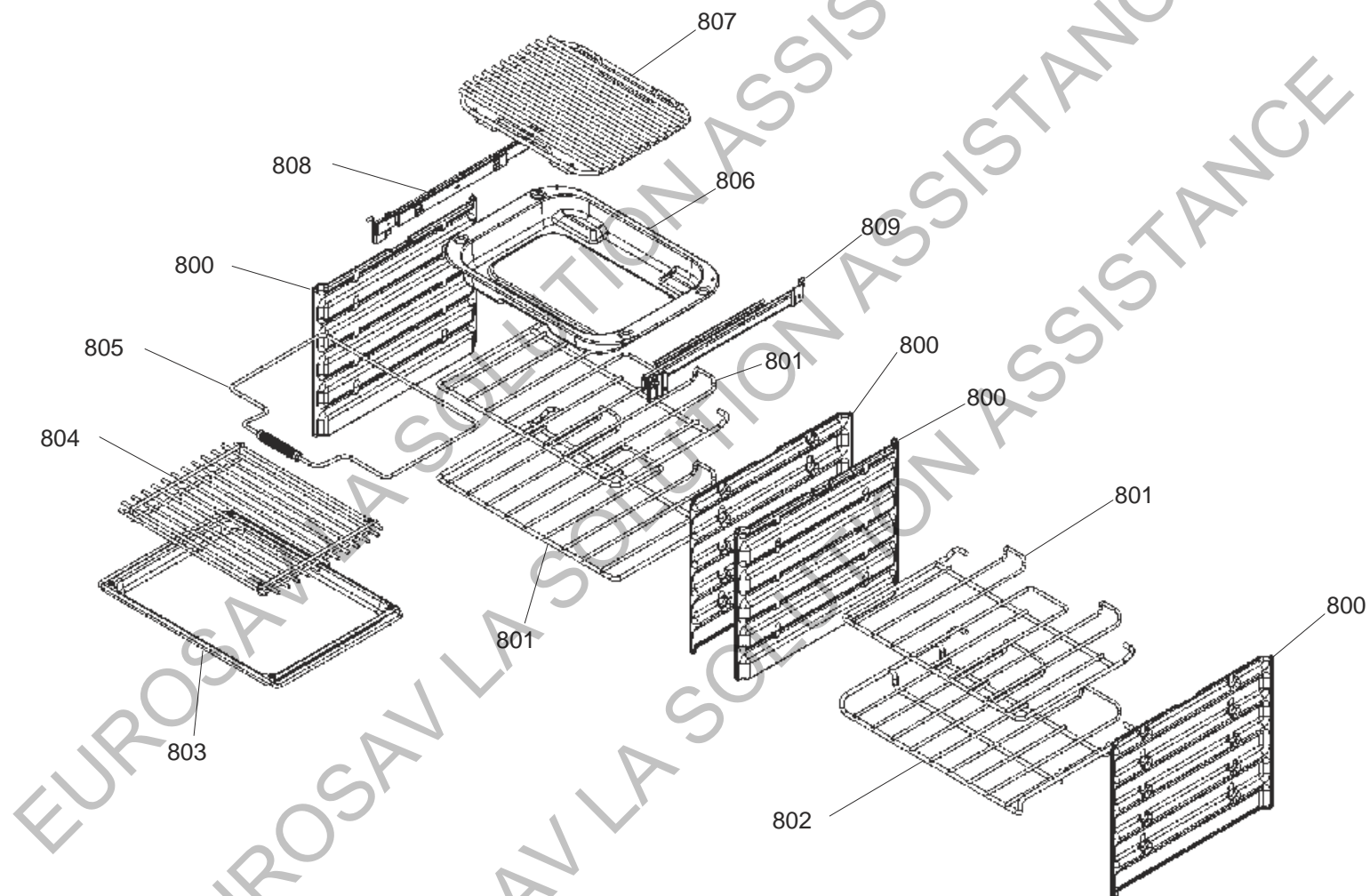
AGA MASTERCHEF 110 XL INDUCTION

DSL0505 P12  
DATE 21.03.12 ISSUE STATUS 01

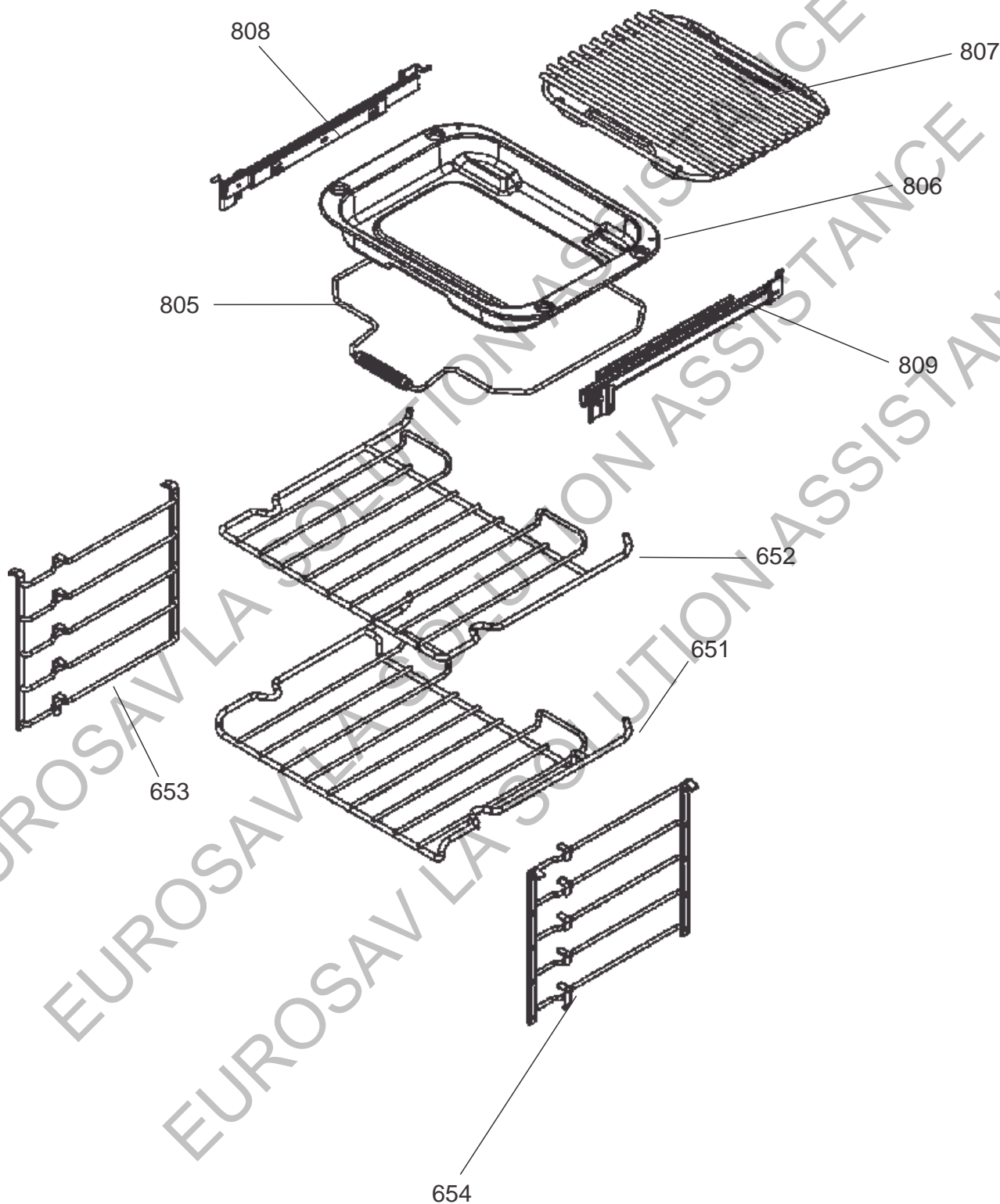


# AGA MASTERCHEF 110 XL INDUCTION

**DSL0505 P13**  
DATE 21.03.12 ISSUE STATUS 01

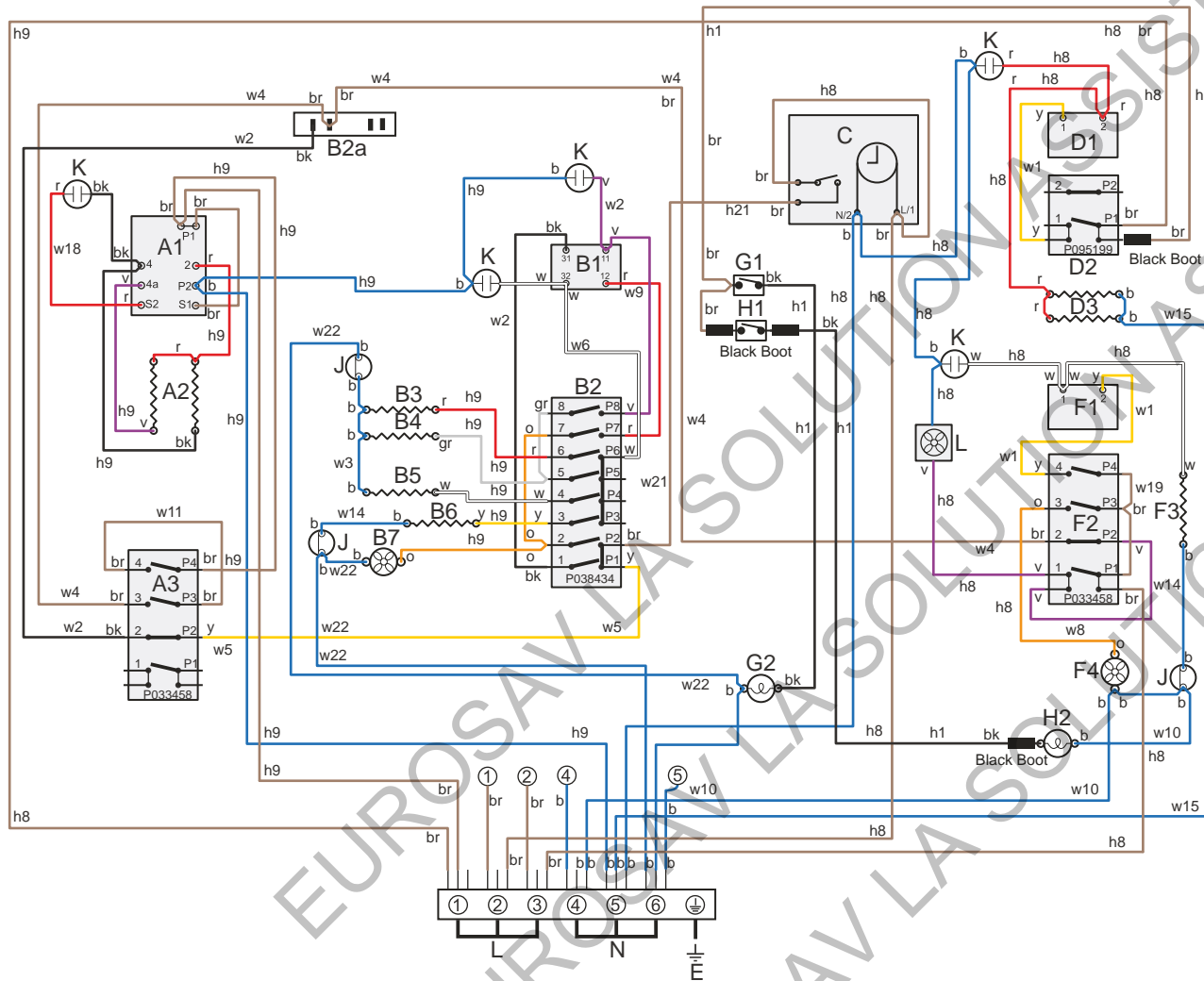


**ACCESSORIES - OVEN - GRILL AND HOB FURNITURE**



# AGA MASTERCHEF 110 XL INDUCTION

**DSL0505 P14**  
DATE:26.04.12 ISSUE STATUS 02



Code	Description
A1	Grill thermostat
A2	Grill element
A3	Grill front switch
B1	Multi-function oven thermostat
B2	Multi-function oven function switch
B2a	Multi-function oven front switch
B3	Multi-function oven base element
B4	Multi-function oven top element (outer pair)
B5	Multi-function oven browning element (inner pair)
B6	Multi-function oven oven fan element
B7	Multi-function oven fan
C	Clock
D1	Slw cook oven thermostat

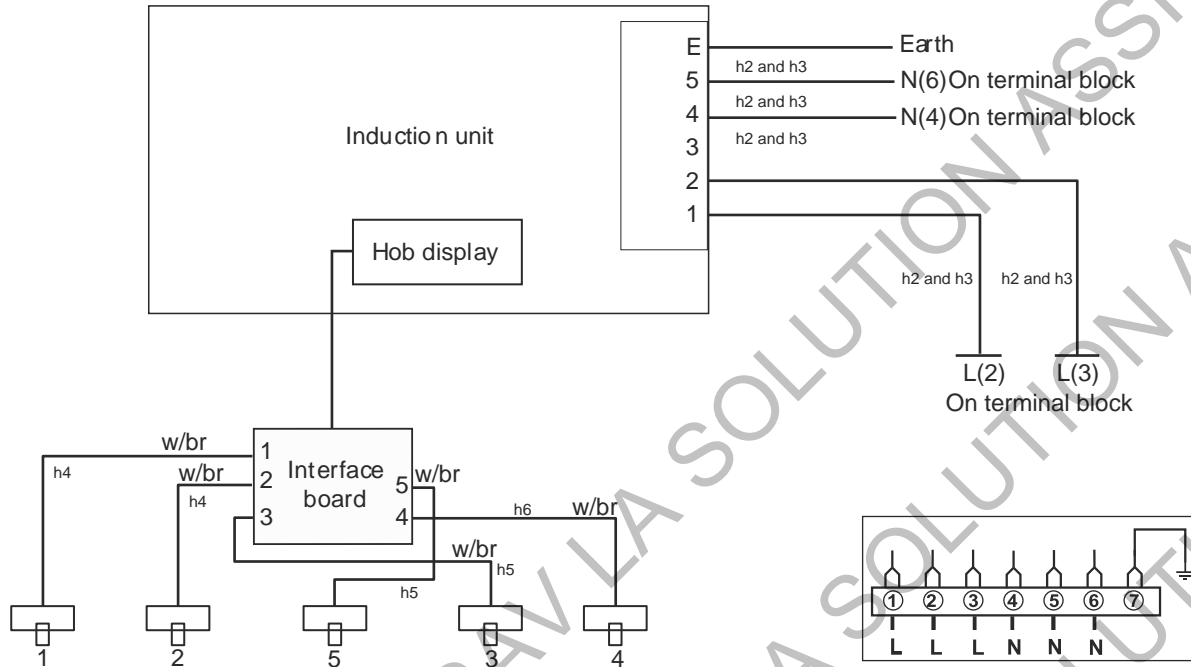
Code	Description
D2	Slw cook oven front switch
D3	Slw cook oven elements
F1	Fan oven thermostat
F2	Fan oven switch
F3	Fan oven element
F4	Fan oven fan
G1	Multi-function oven light switch
G2	Multi-function oven light
H1	Fan oven light switch
H2	Fan oven light
J	Thermal cut-out
K	Neon
L	Cooling fan

Code	Colour
b	Blue
br	Brown
bk	Black
or	Orange
r	Red
v	Violet
w	White
y	Yellow
g/y	Green/yellow
gr	Grey

**WIRING DIAGRAM**

# AGA MASTERCHEF 110 XL.INDUCTION

**DSL0505 P15**  
 DATE 21.03.12 ISSUE STATUS 01



Code	Description
1	Left-hand front element
2	Left-hand back element
3	Right-hand back element
4	Right-hand front element
5	Centre element