

APPLIANCE NAME:
AGA MASTERCHEF XL 110 DF

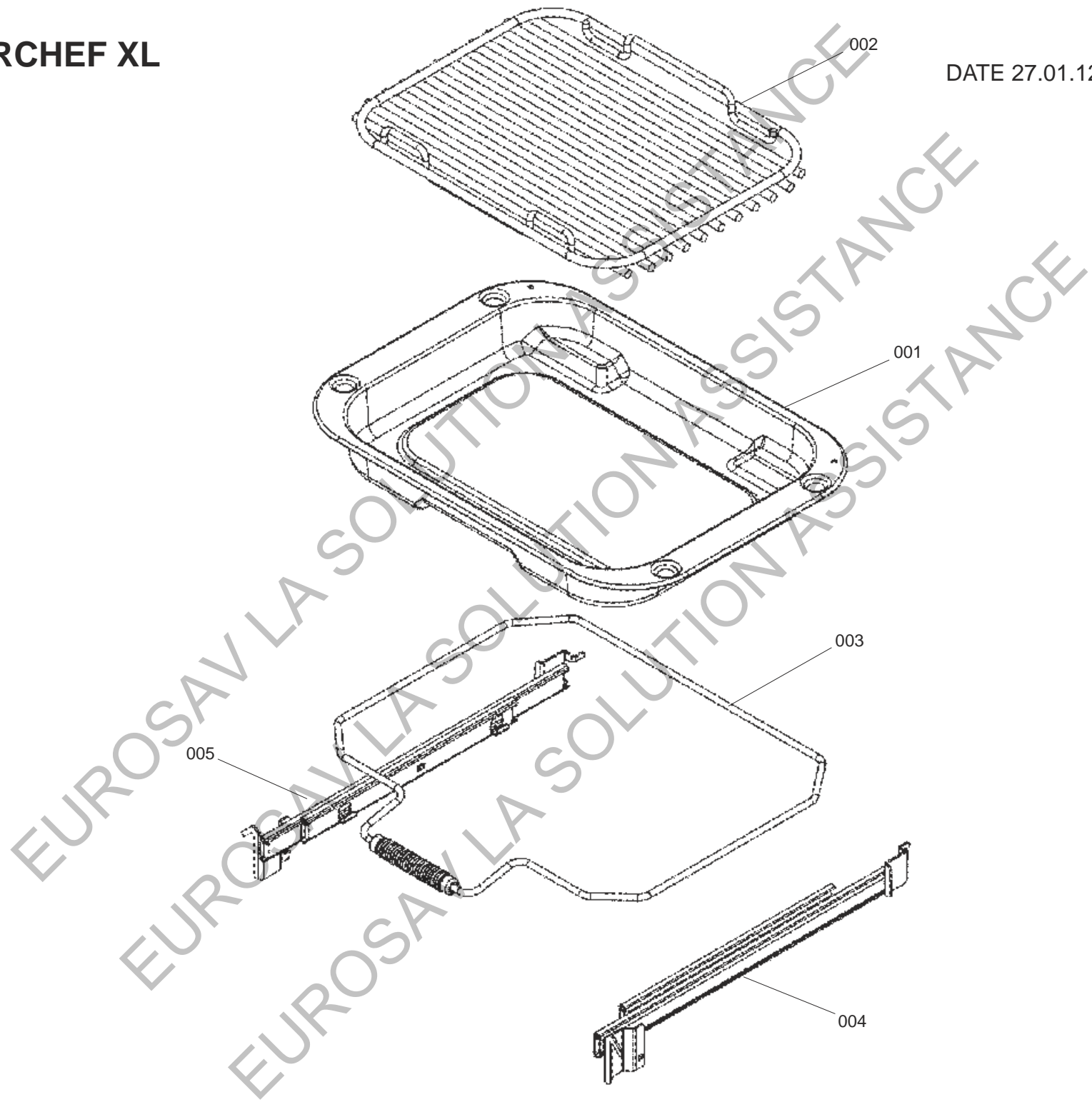
DSL0495 P00
DATE 27.01.12 ISSUE STATUS 001



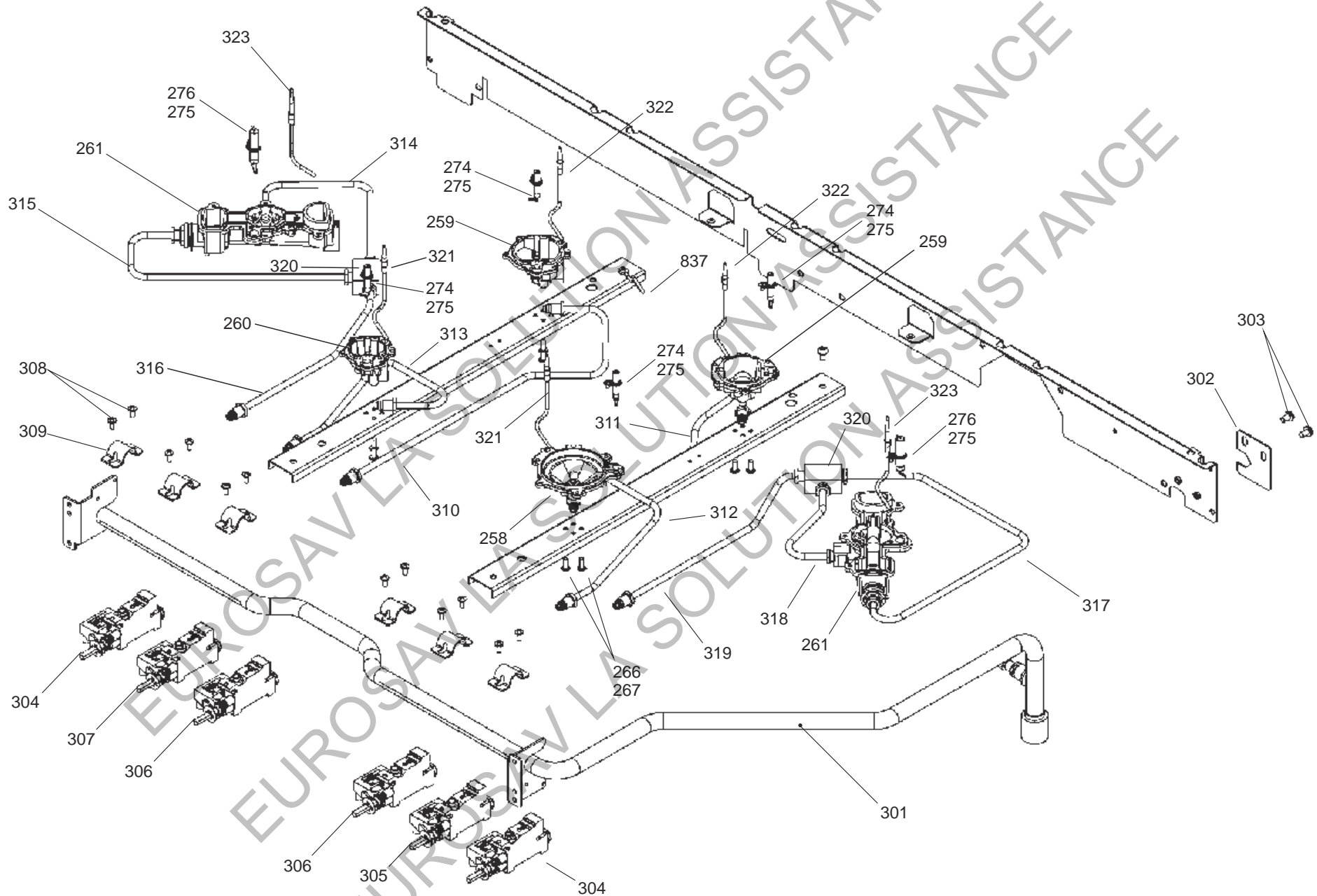
AGA MASTERCHEF XL

DSL0495 P01

DATE 27.01.12 ISSUE STATUS 01



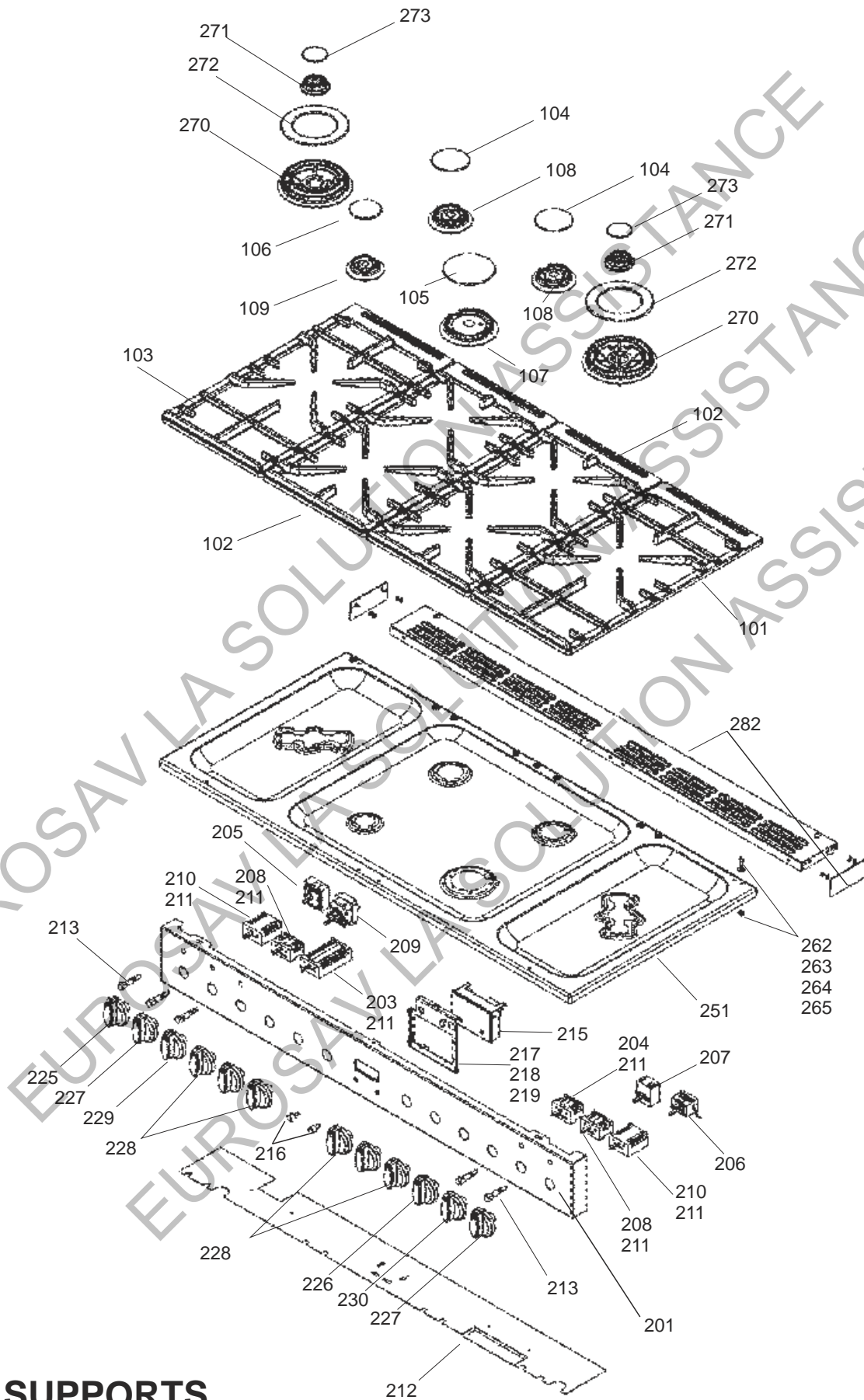
GRILL PAN



GAS RAIL - TAPS - INJECTORS AND PIPES

AGA MASTERCHEF XL

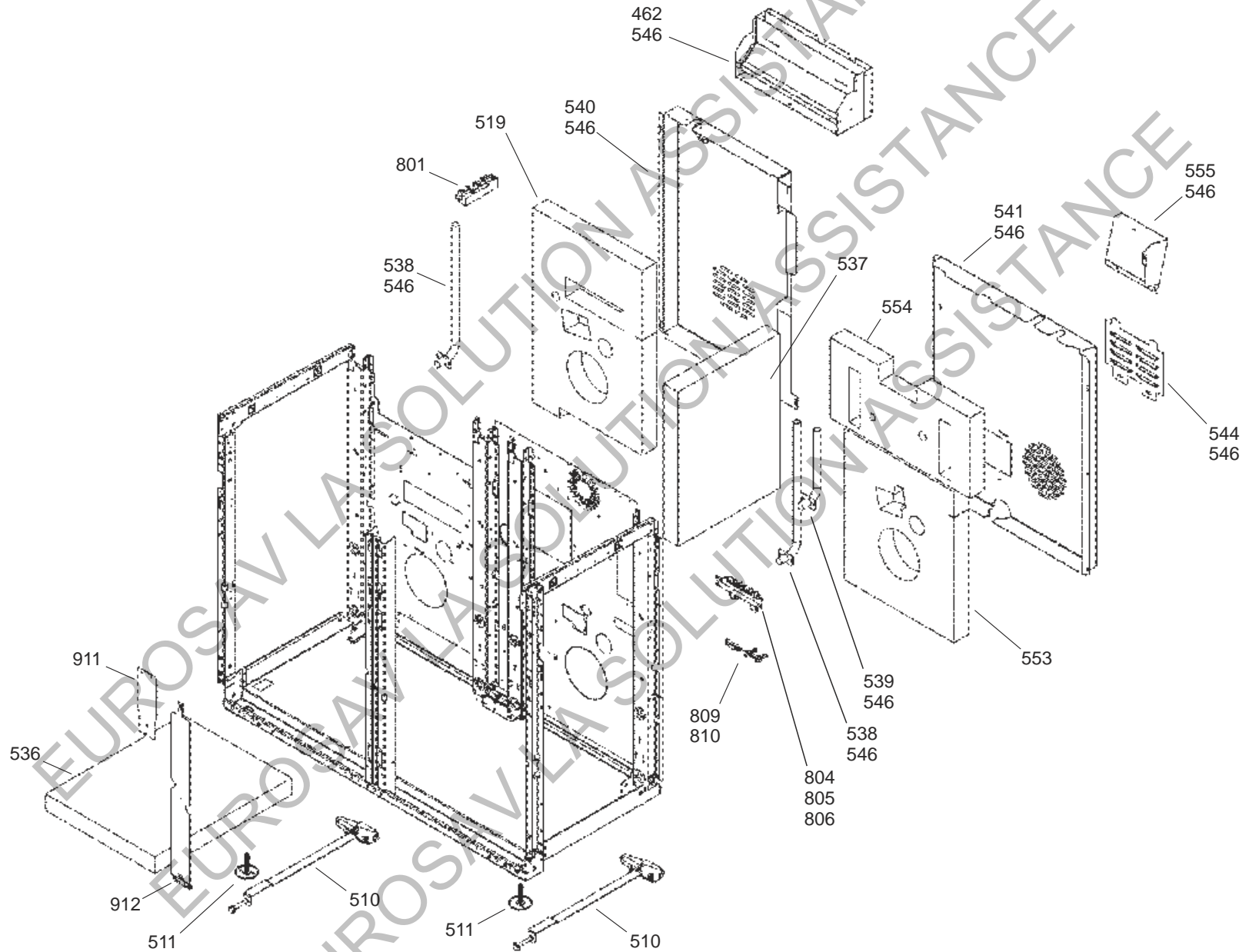
DSL0495 P03
DATE 27.01.12 ISSUE STATUS 01



PAN SUPPORTS BURNERS & HOTPLATE ASSEMBLY

AGA MASTERCHEF XL

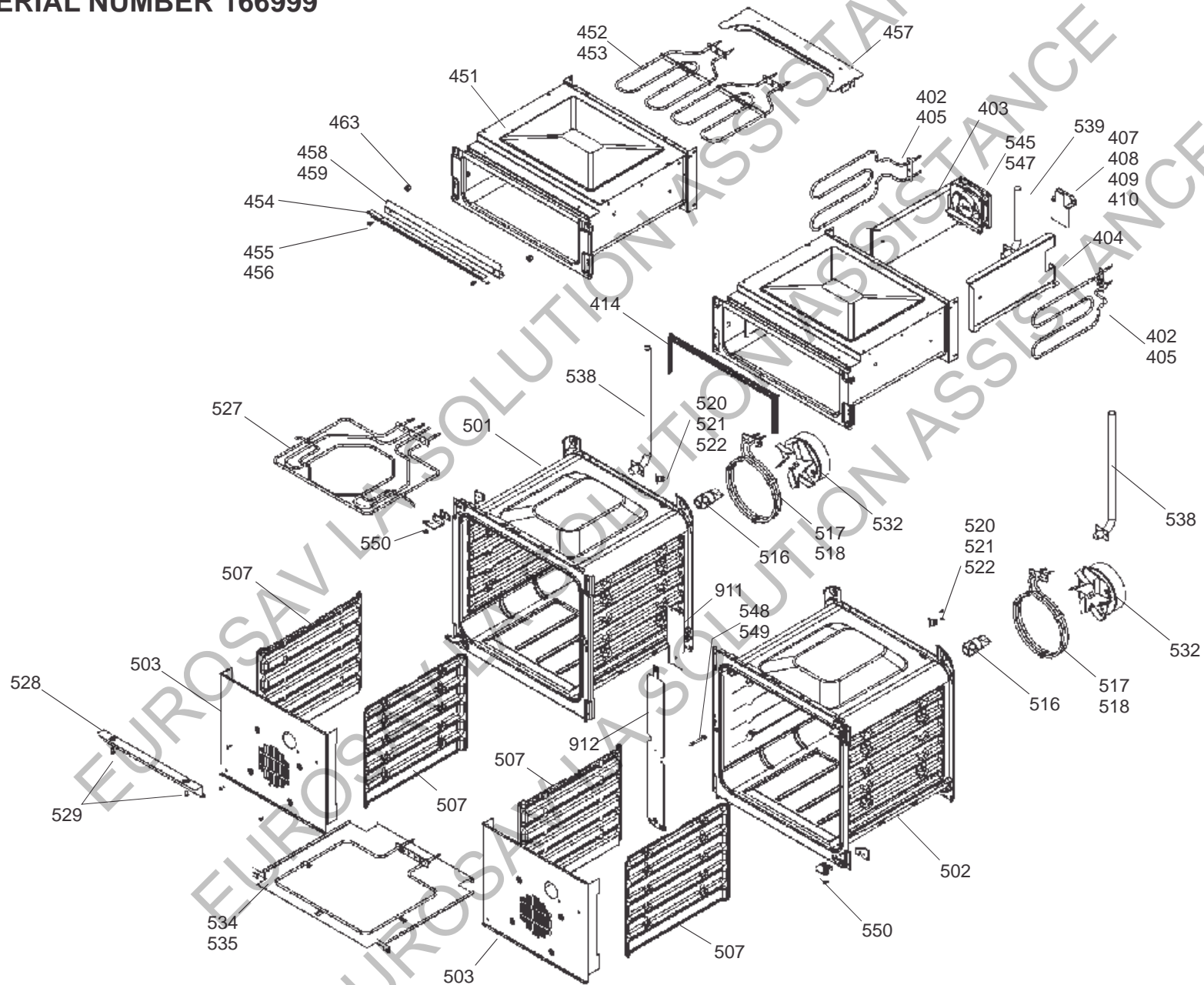
DSL0495 P04
DATE 27.01.12 ISSUE STATUS 01



CHASSIS AND FRAME ASSEMBLY

AGA MASTERCHEF XL
UP TO SERIAL NUMBER 166999

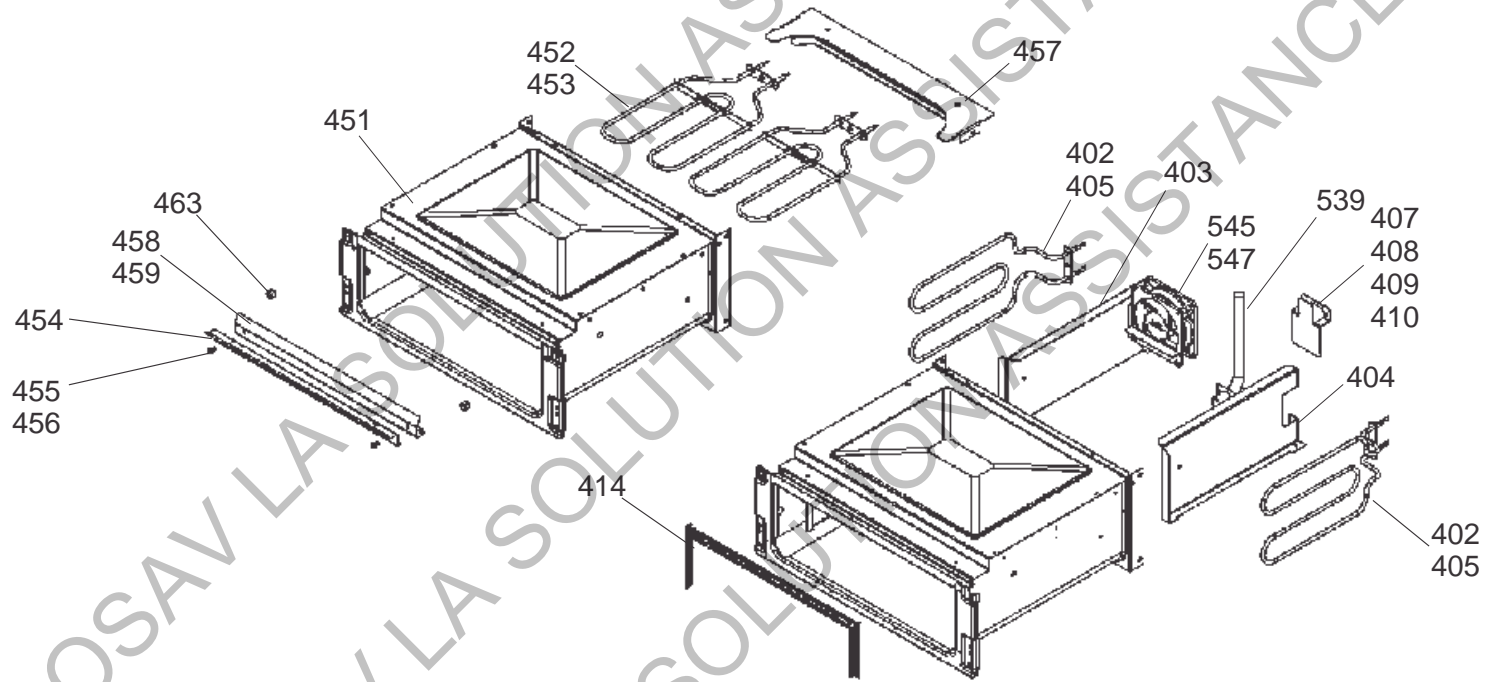
DSL0495 P05
DATE 15.01.14 ISSUE STATUS 02



LH OVEN - RH OVEN AND GRILL CHAMBER

AGA MASTERCHEF XL

DSL0495 P05-1
DATE 15.01.14 ISSUE STATUS 02



SLOW-COOK OVEN AND GRILL CHAMBER

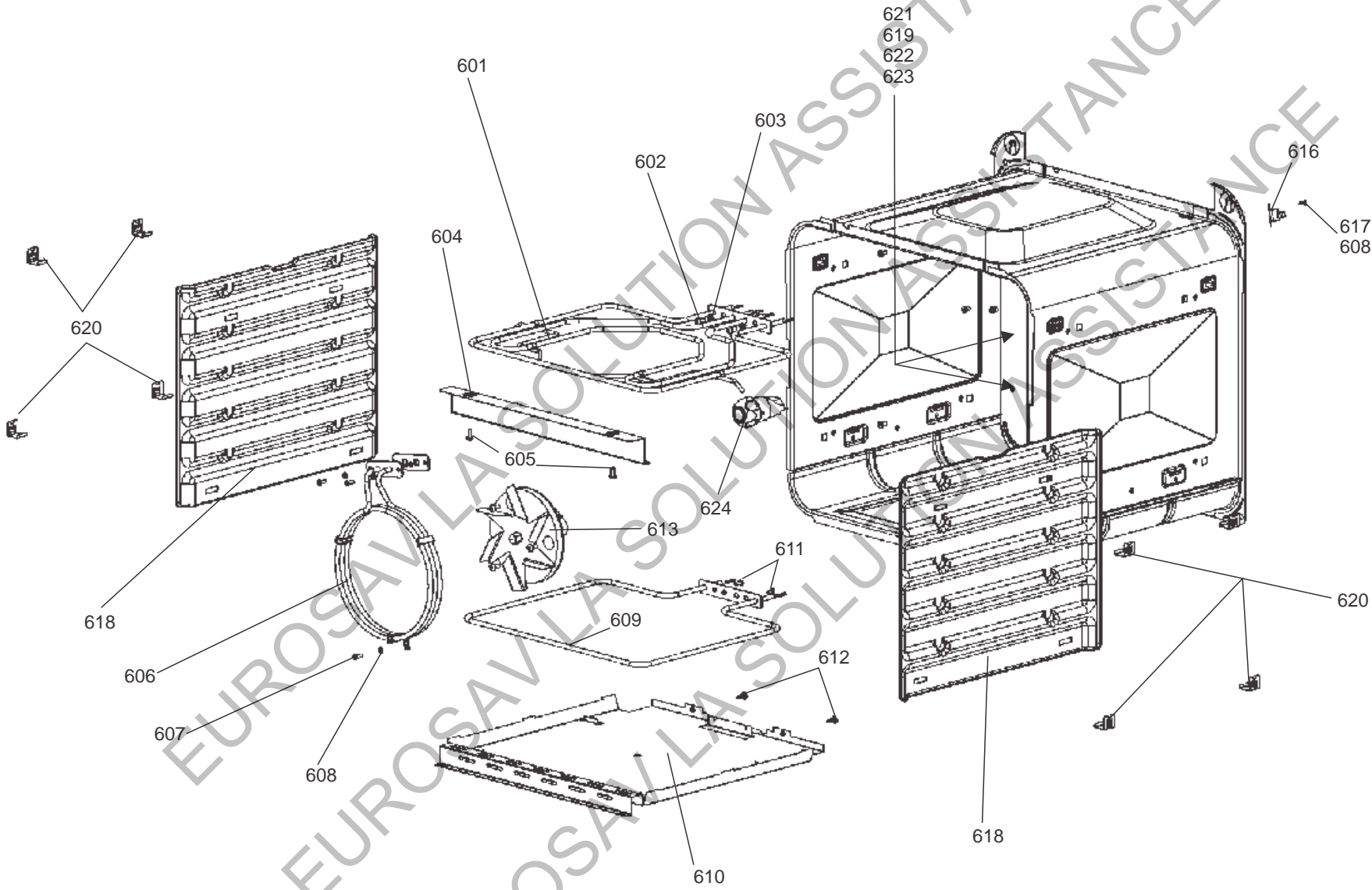
AGA MASTERCHEF XL

DATE 15.01.14

ISSUE STATUS 01

DSL0495 P05A

FROM SERIAL NUMBER 167000



LH OVEN

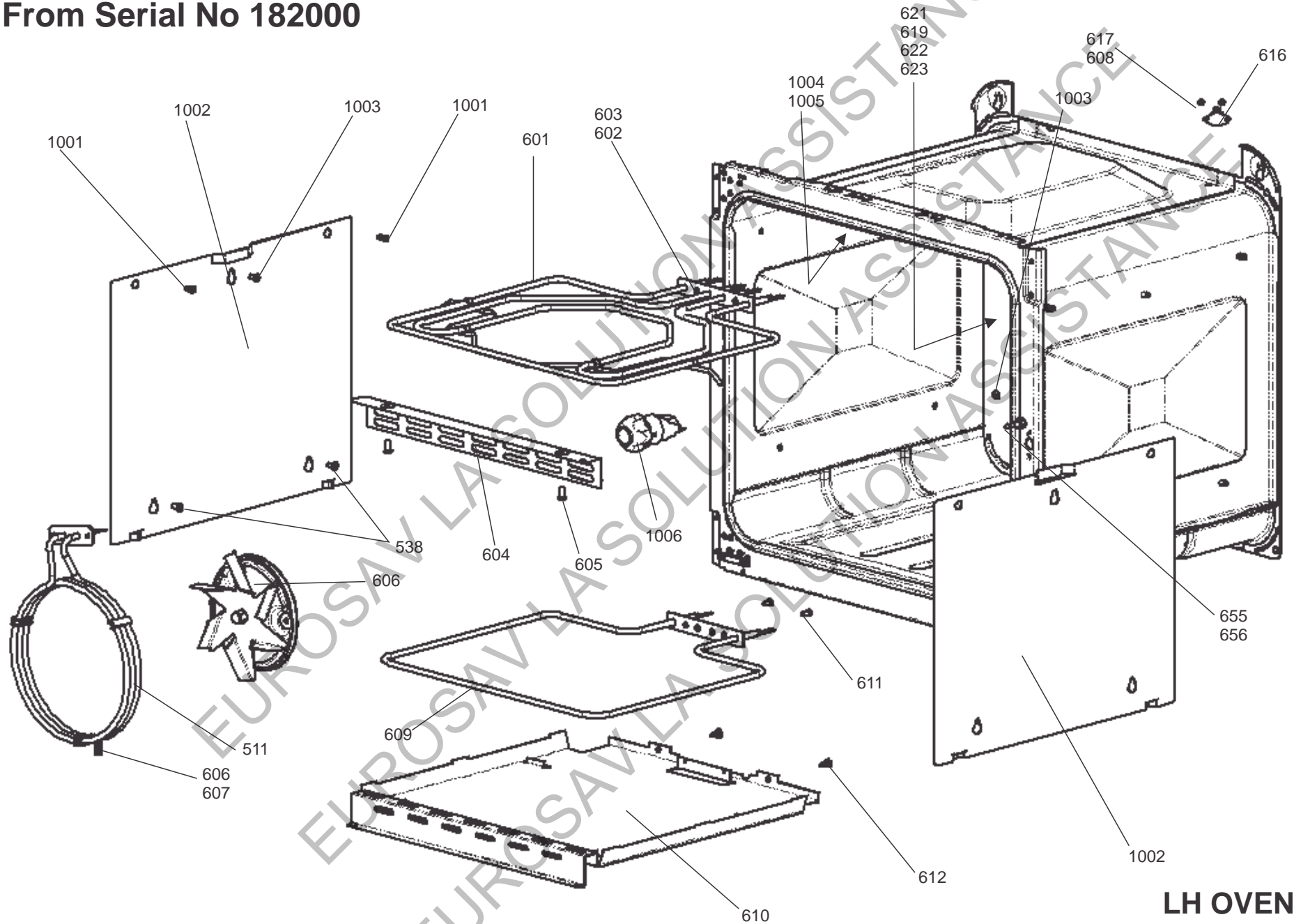
AGA MASTERCHEF XL

From Serial No 182000

DATE 16.03.16

DSL0495 P05A-1

ISSUE STATUS 01

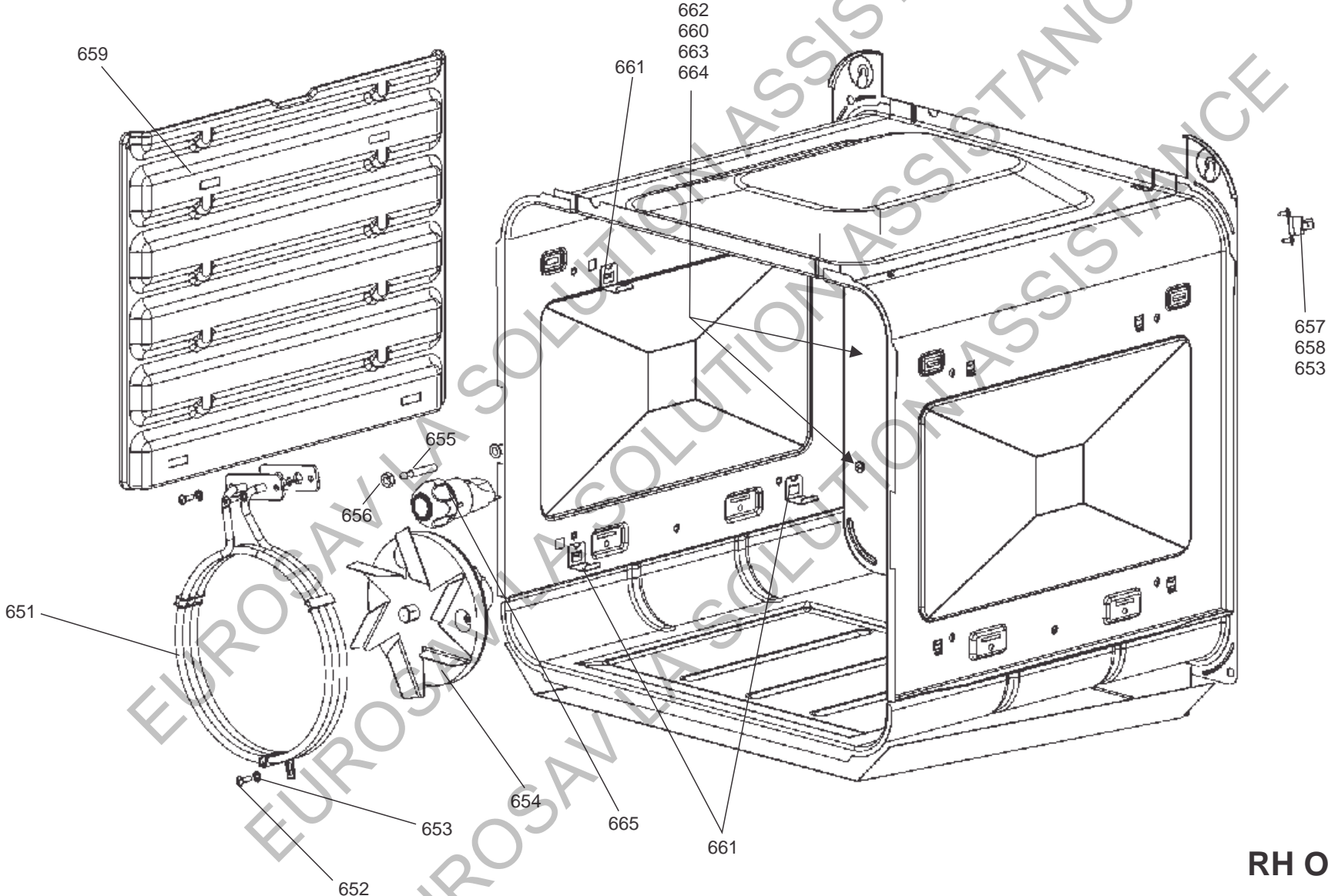


AGA MASTERCHEF XL

DATE 15.01.14 ISSUE STATUS 01

DSL0495 P05B

FROM SERIAL NUMBER 167000

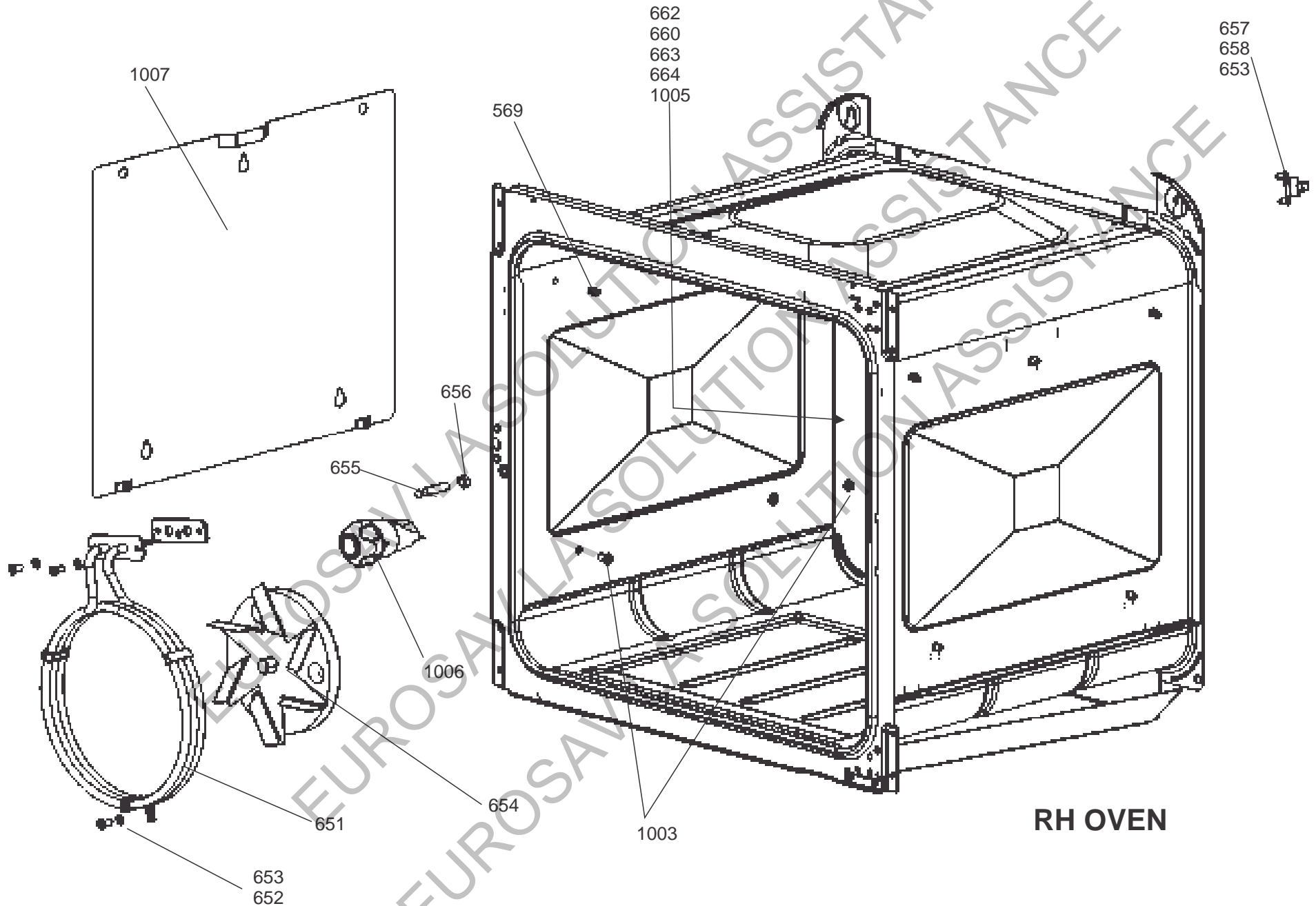


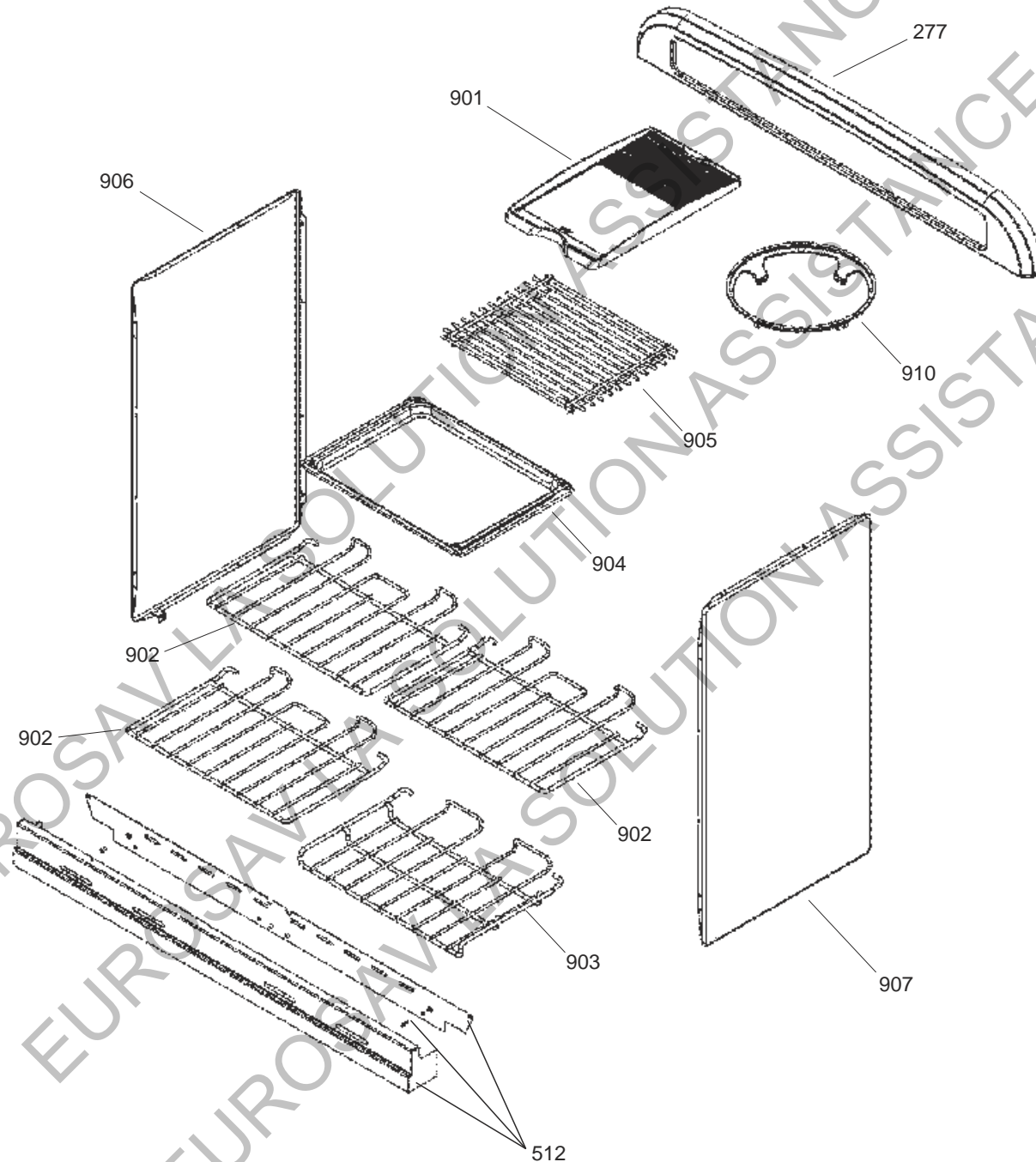
RH OVEN

AGA MASTERCHEF XL
From Serial No 182000

ISSUE STATUS 01
DATE 16.03.16

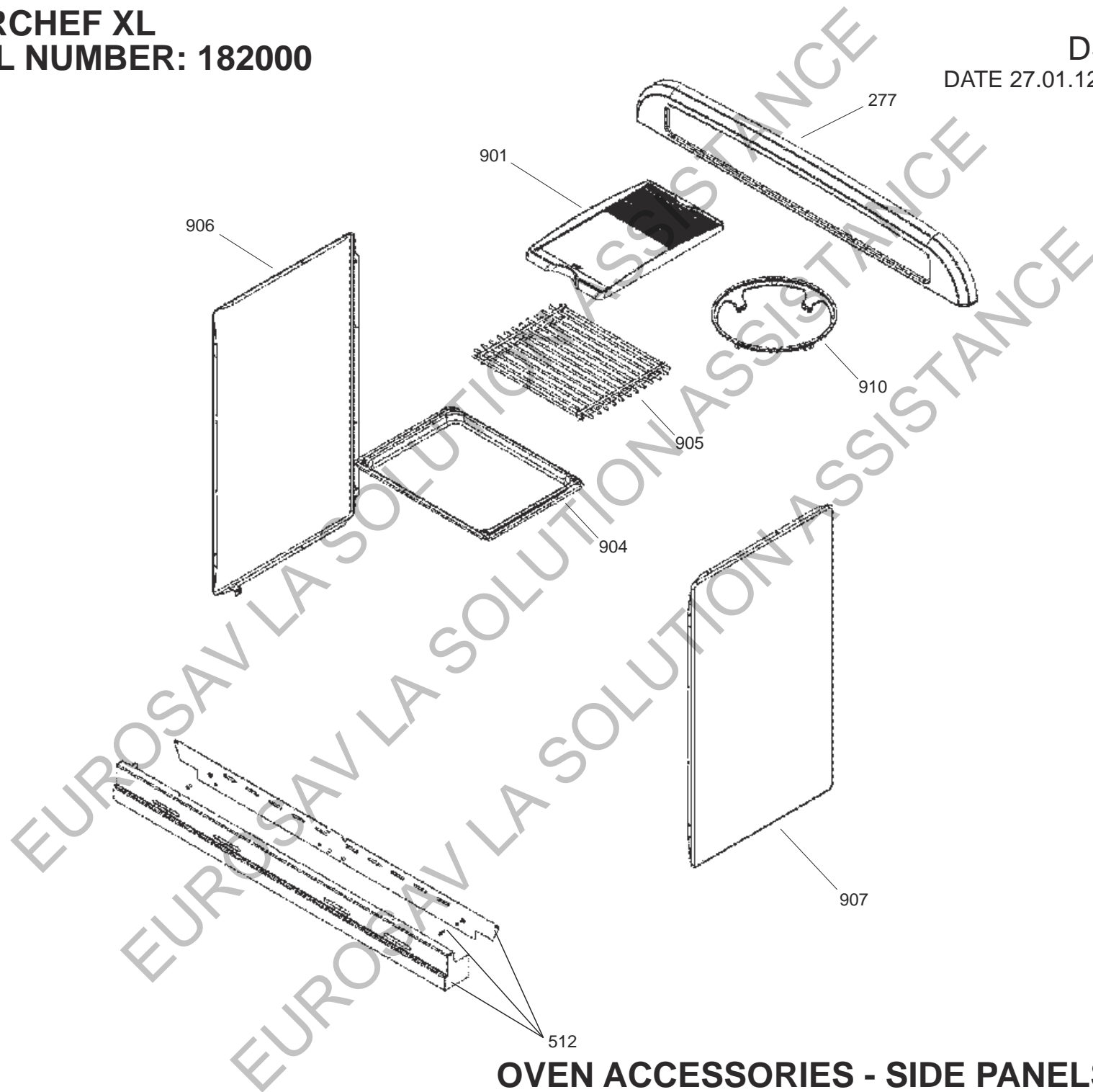
DSL0495 P05B-1



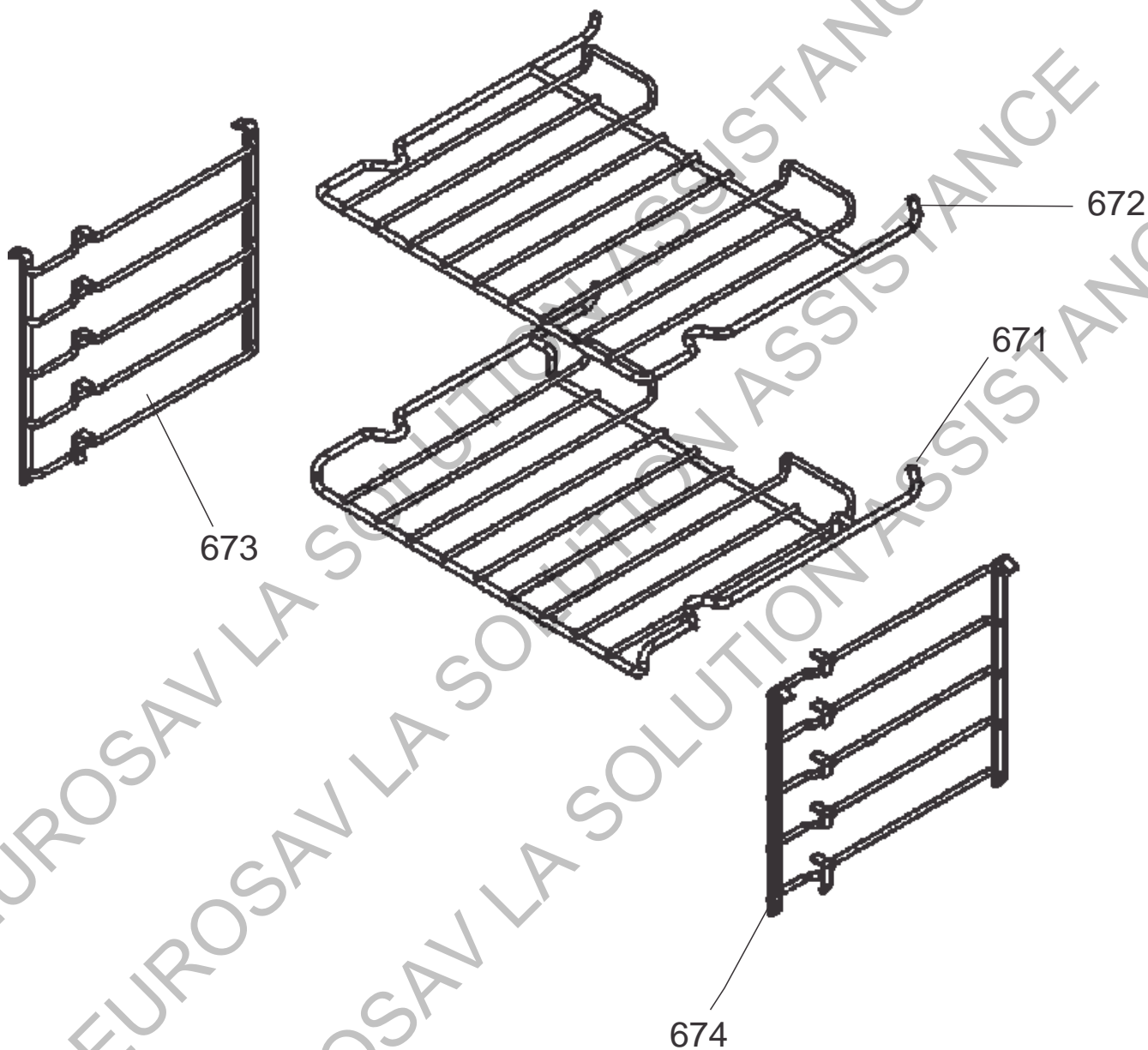


AGA MASTERCHEF XL
FROM SERIAL NUMBER: 182000

DSL0495 P06-1
DATE 27.01.12 ISSUE STATUS 01



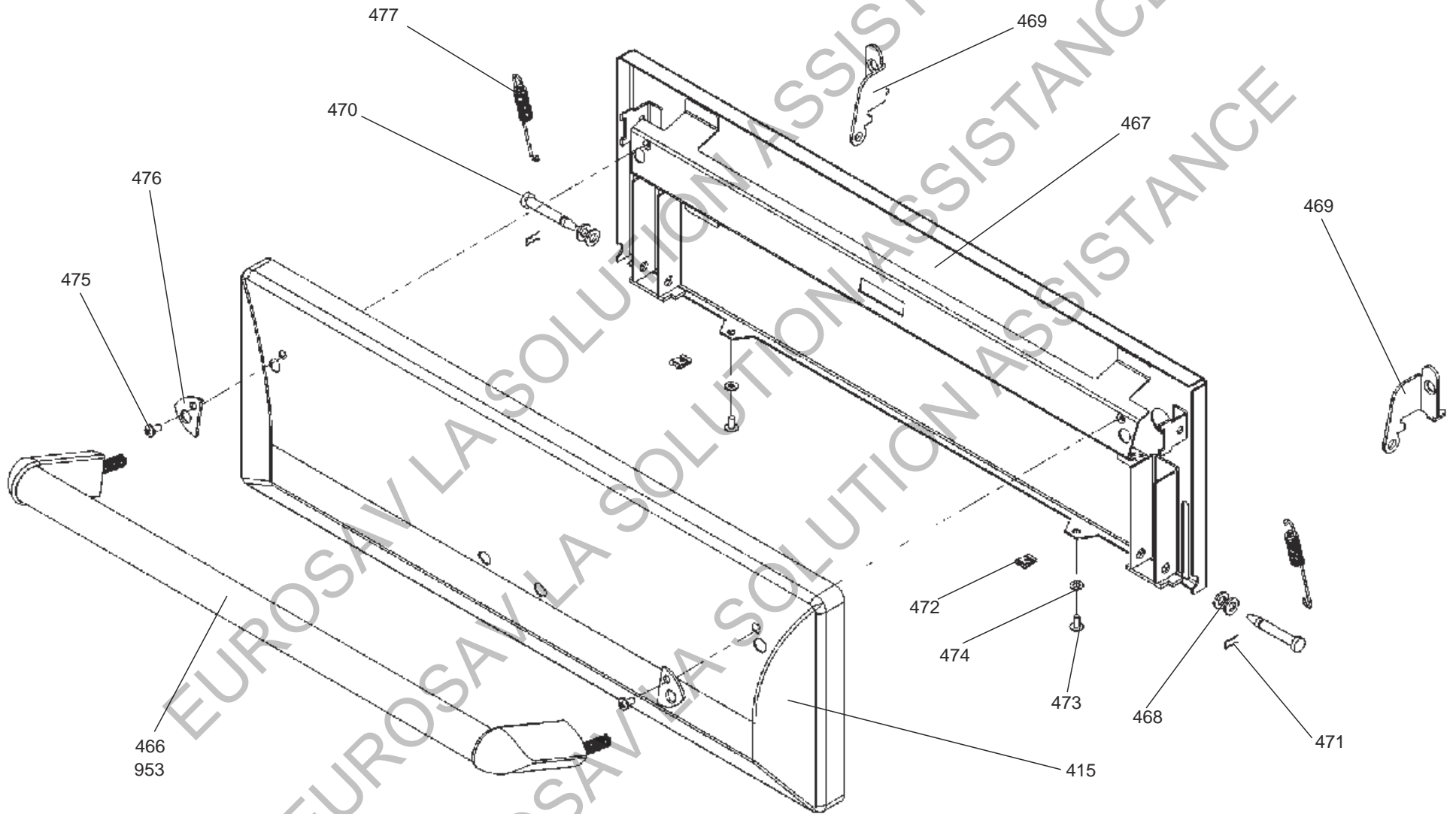
OVEN ACCESSORIES - SIDE PANELS & PLINTHS



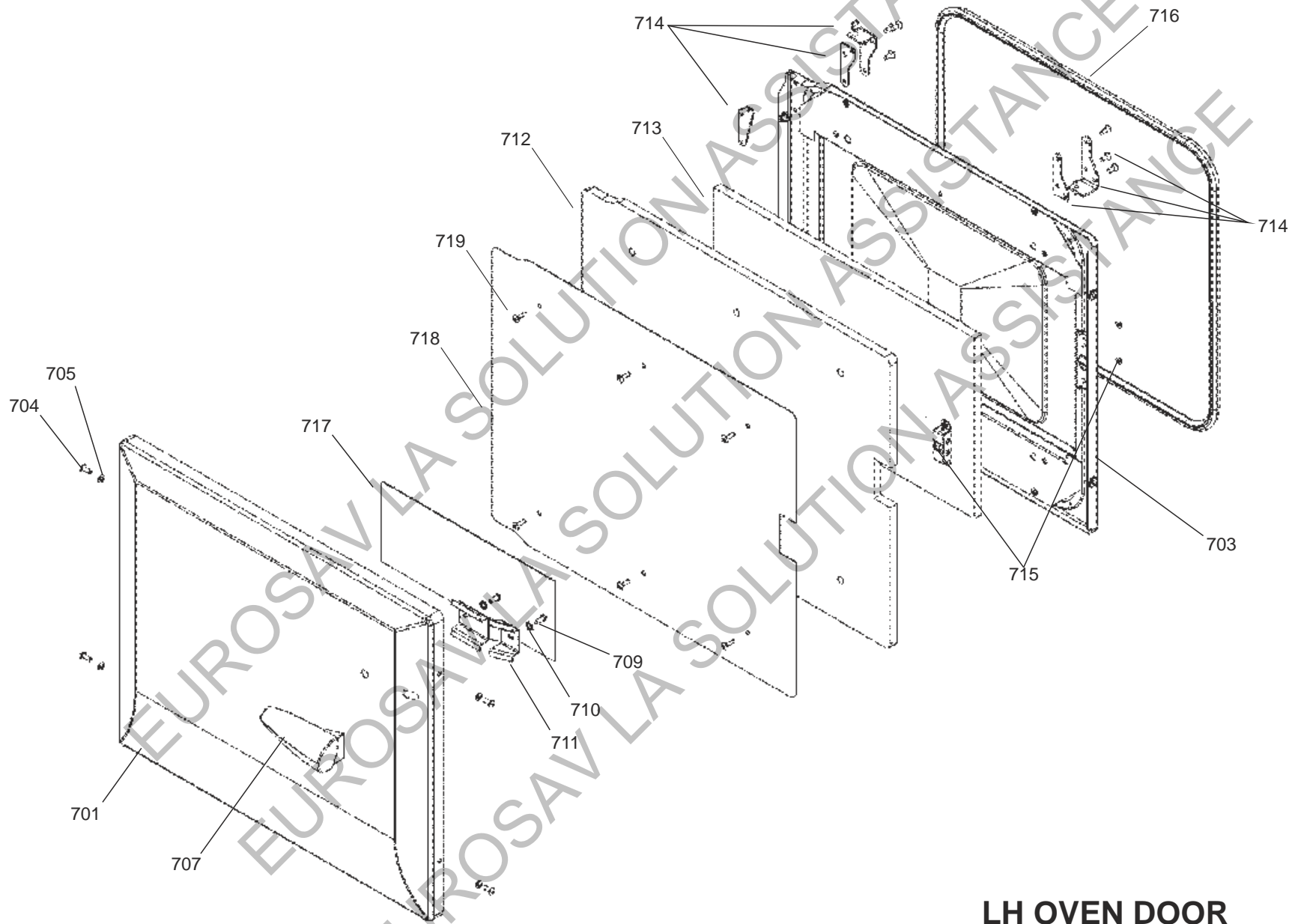
AGA MASTERCHEF XL

DSL0495 P07

DATE 19.11.12 ISSUE STATUS 003



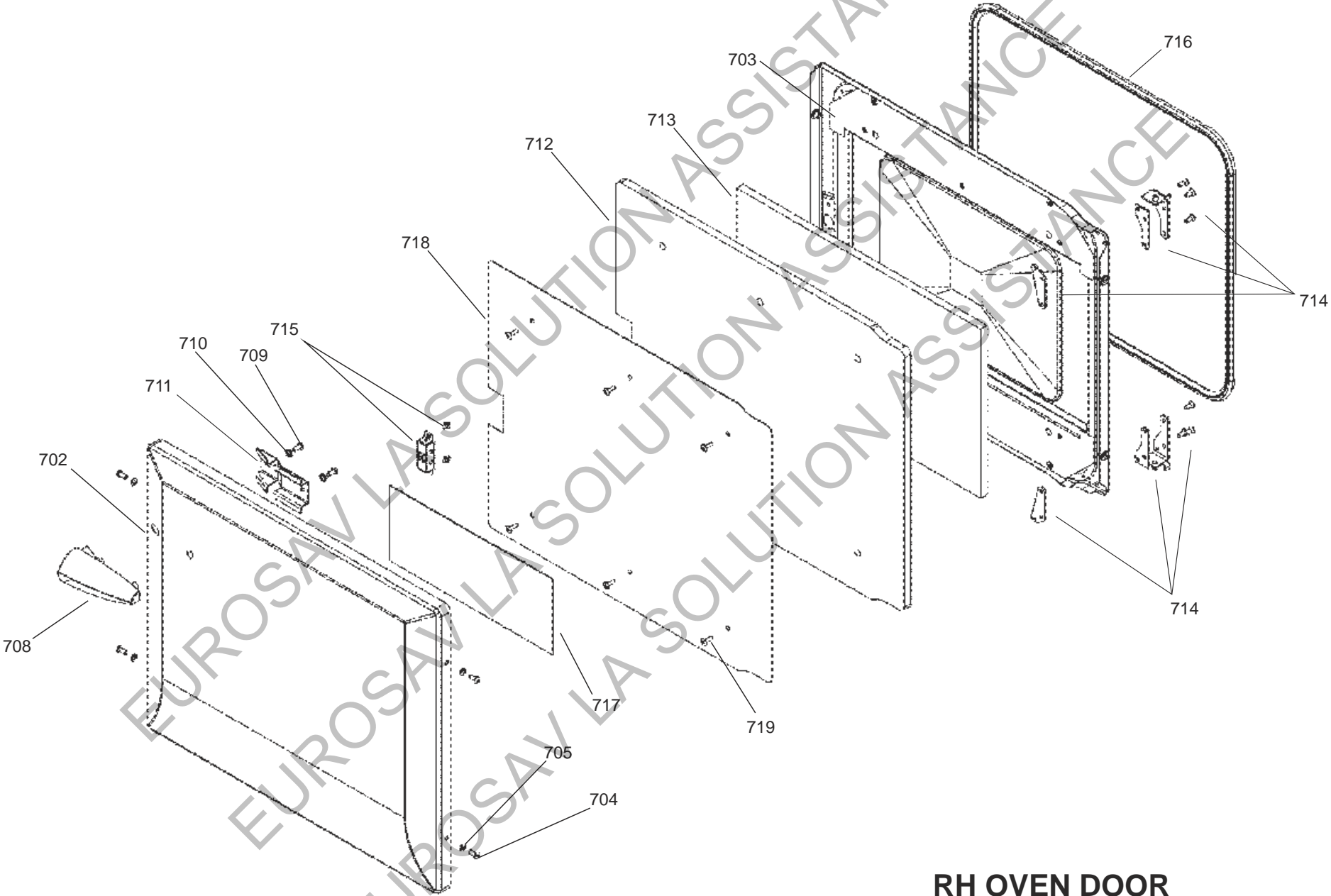
SLOW COOK OVEN DOOR



LH OVEN DOOR

AGA MASTERCHEF XL

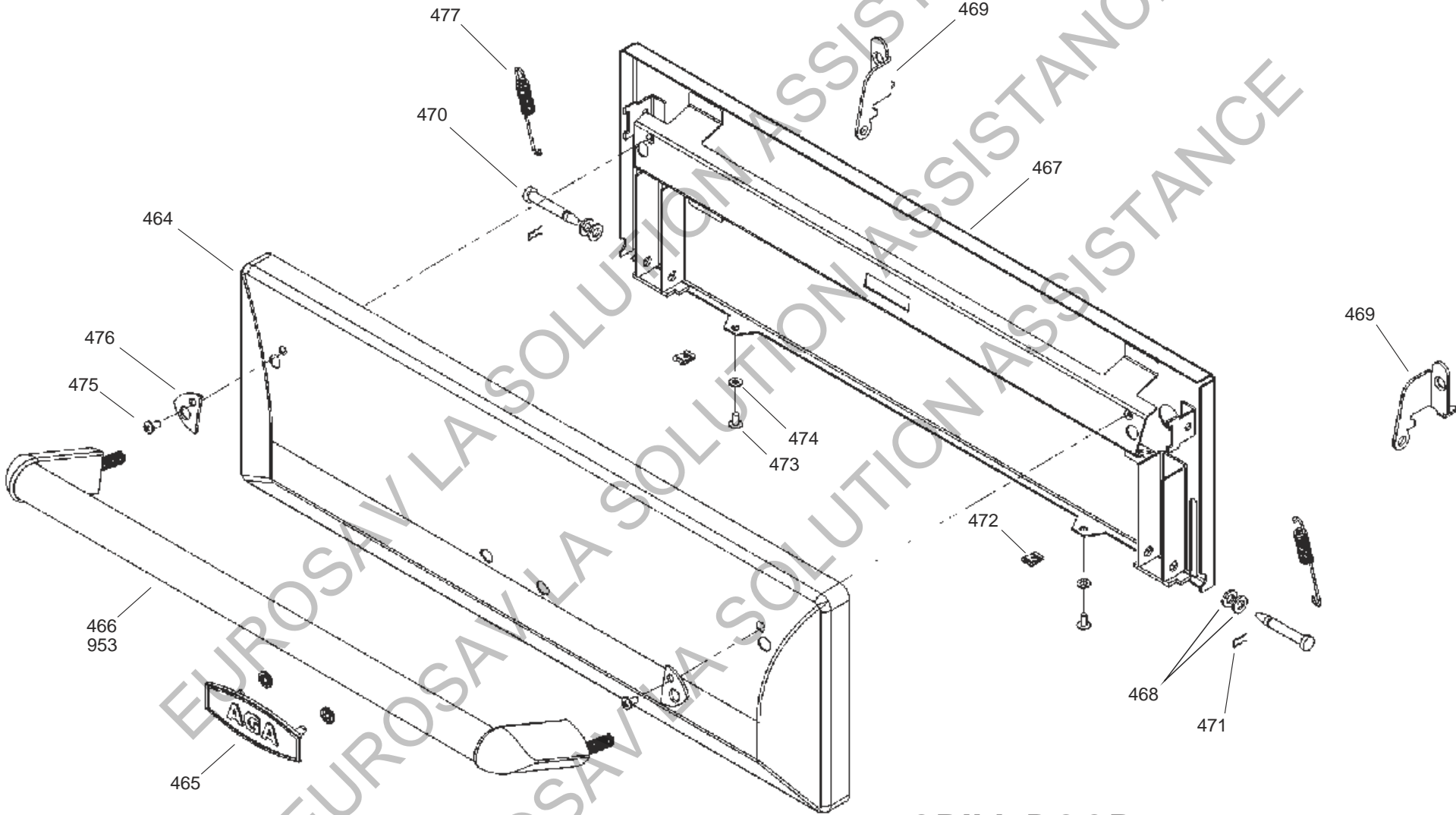
DSL0495 P09
DATE 27.01.12 ISSUE STATUS 01



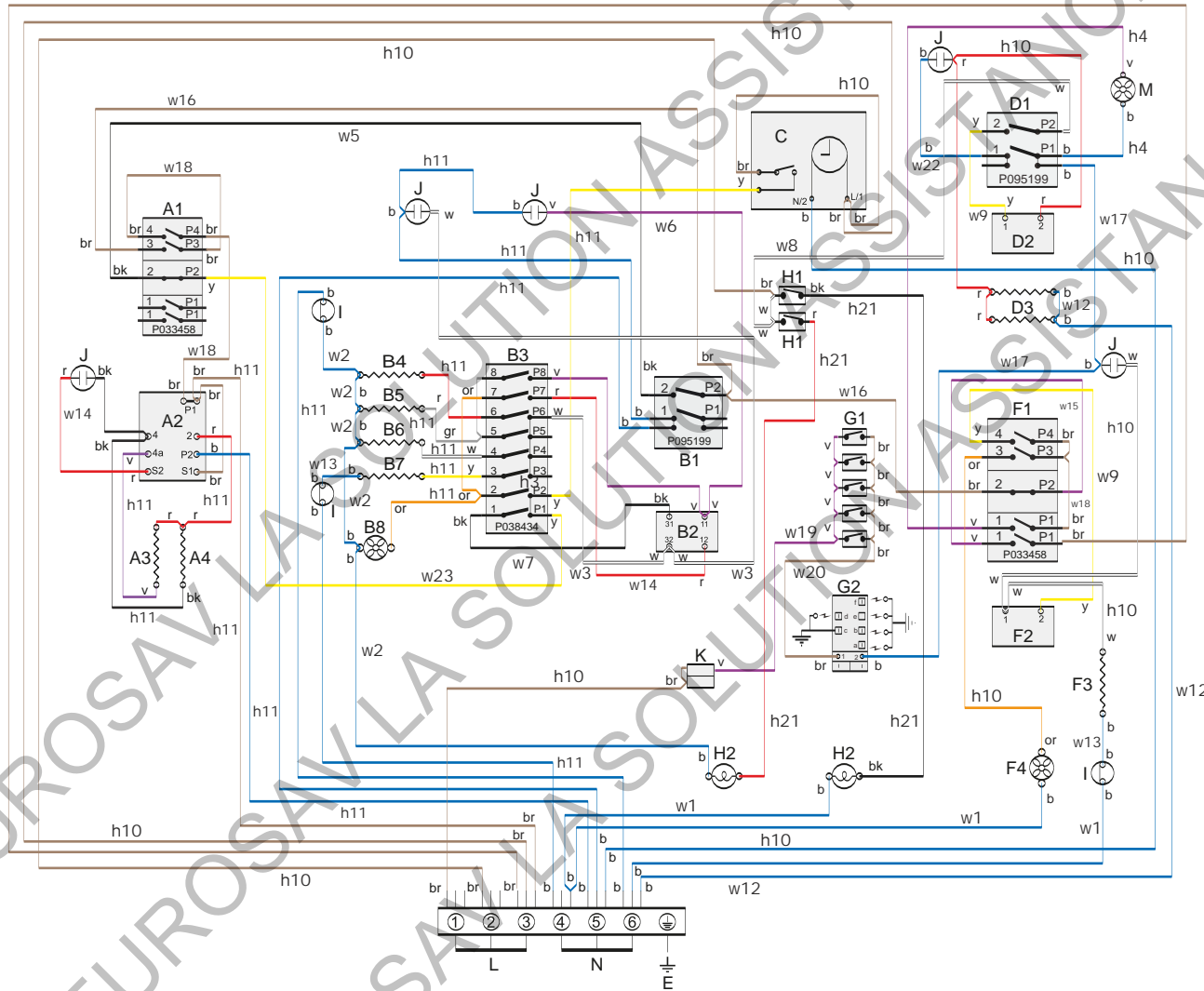
RH OVEN DOOR

AGA MASTERCHEF XL

DSL0495 P10
DATE 19.11.12 ISSUE STATUS 003



GRILL DOOR

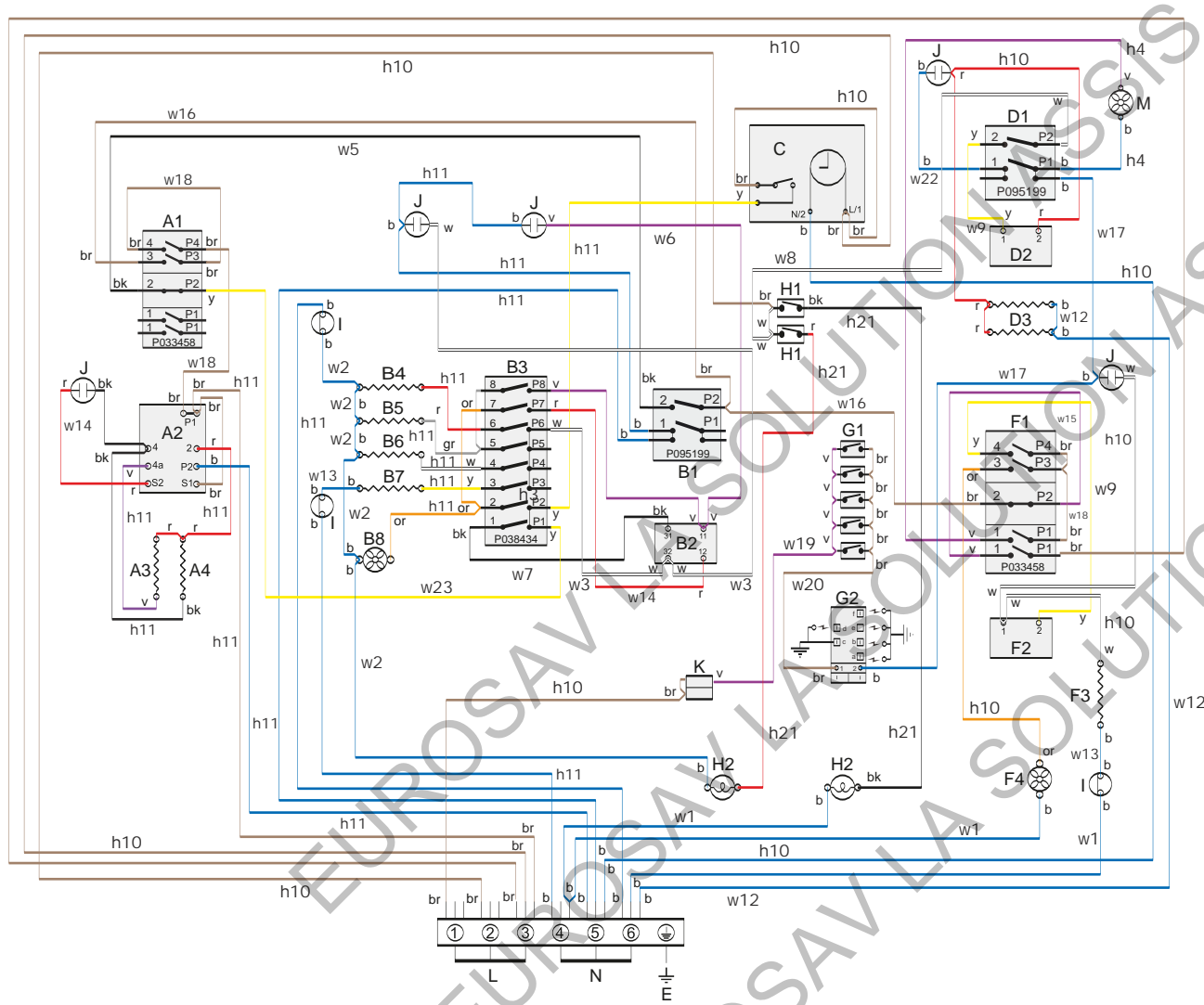


APPLIANCE NAME: AGA MASTERCHEF XL

DSL0495 P11A

ISSUE STATUS 01 DATE 27.01.12

The connections shown in the circuit diagram are for single-phase. The ratings are for 230V 50Hz.



Code	Colour
b	Blue
br	Brown
bk	Black
or	Orange
r	Red
v	Violet
w	White
y	Yellow
g/y	Green/yellow
gr	Grey

Code	Description
A1	Grill front switch
A2	Grill control
A3	Grill element left-hand side
A4	Grill element right-hand side
B1	Left-hand MFoven control switch
B2	Left-hand MFoven thermostat
B3	Left-hand MFoven function switch
B4	Left-hand MFoven base element
B4	Left-hand MFoven top element (outer pair)
B5	Left-hand MFoven browning element (inner pair)
B6	Left-hand MFoven fan element
B7	Left-hand MFoven fan
C	Clock
D1	Slw cook oven front switch

Code	Description
D2	Slw cook oven thermostat
D3	Slw cook oven elements
F1	Right-hand fanoven switch
F2	Right-hand fanoven thermostat
F3	Right-hand fanoven element
F4	Right-hand fanoven fan
G1	Ignition switches
G2	Ignition spark generator
H1	Oven light switch
H2	Oven light
I	Thermal cut-out
J	Neon
K	Connector block
M	Cooling fan

WIRING DIAGRAM