

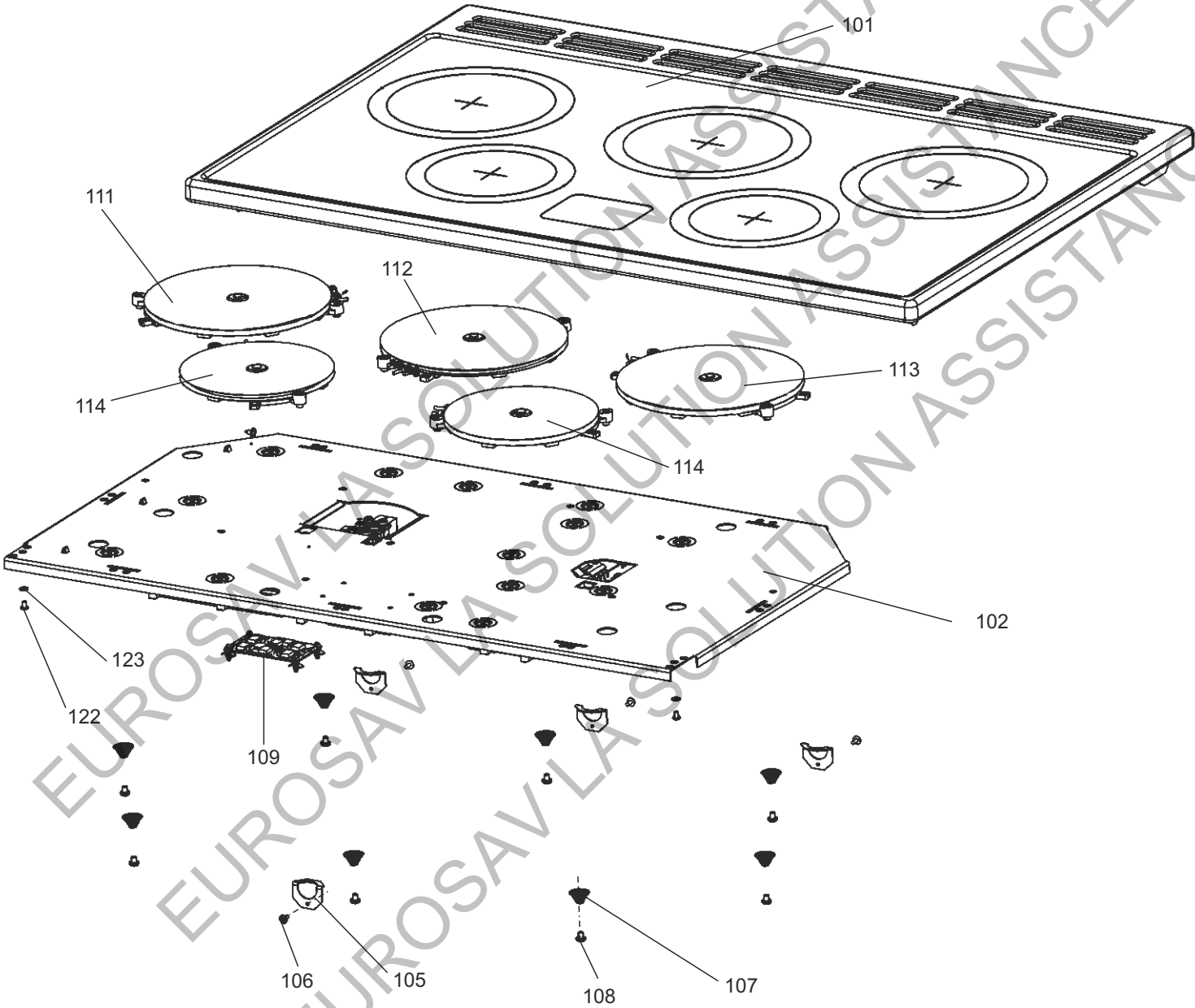
GRILL PAN

**AGA MASTERCHEF XL 90
INDUCTION**

DATE 19.01.15

DSL0597 P02

ISSUE STATUS 01



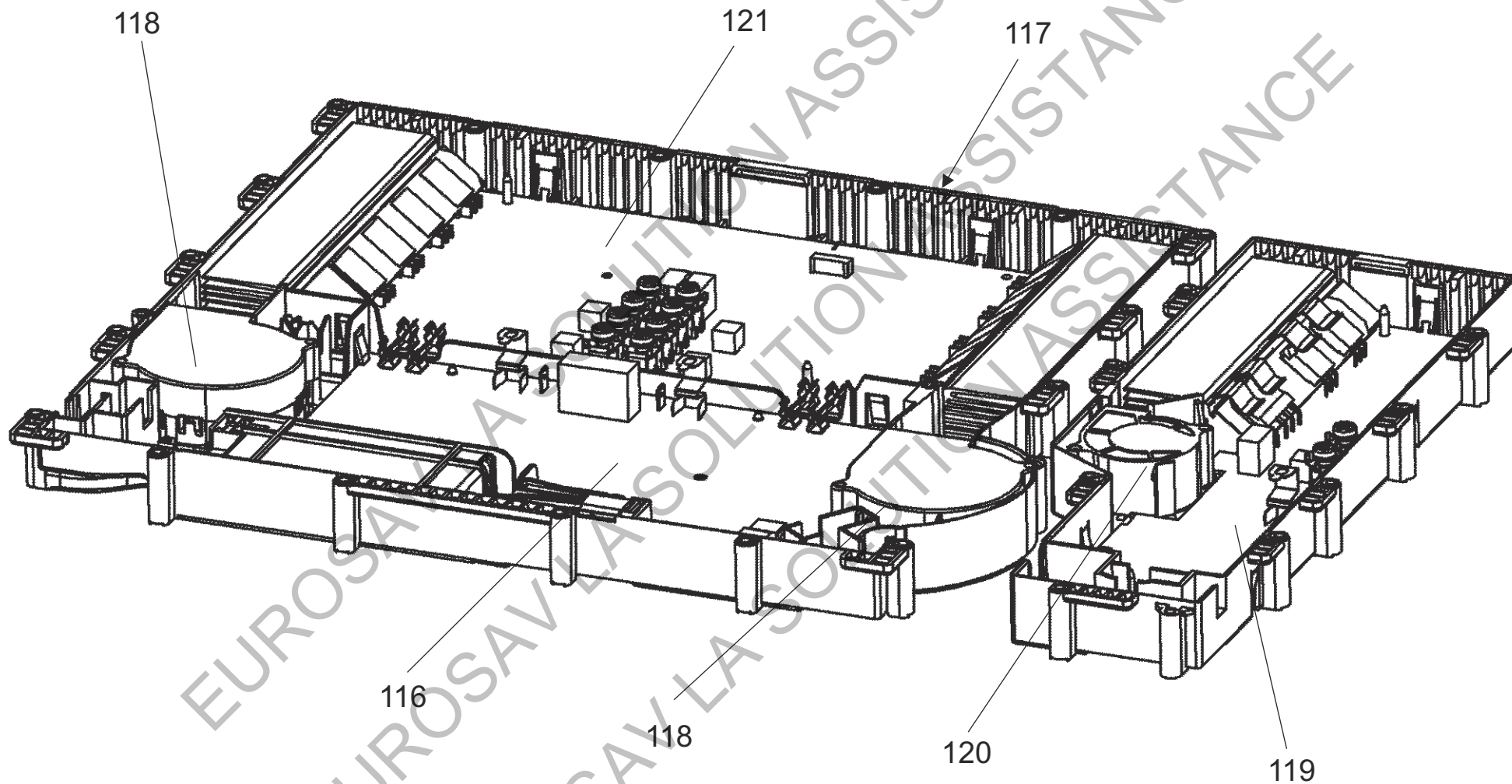
HOB AND INDUCTION ASSEMBLY

**MASTERCHEF XL 90
INDUCTION**

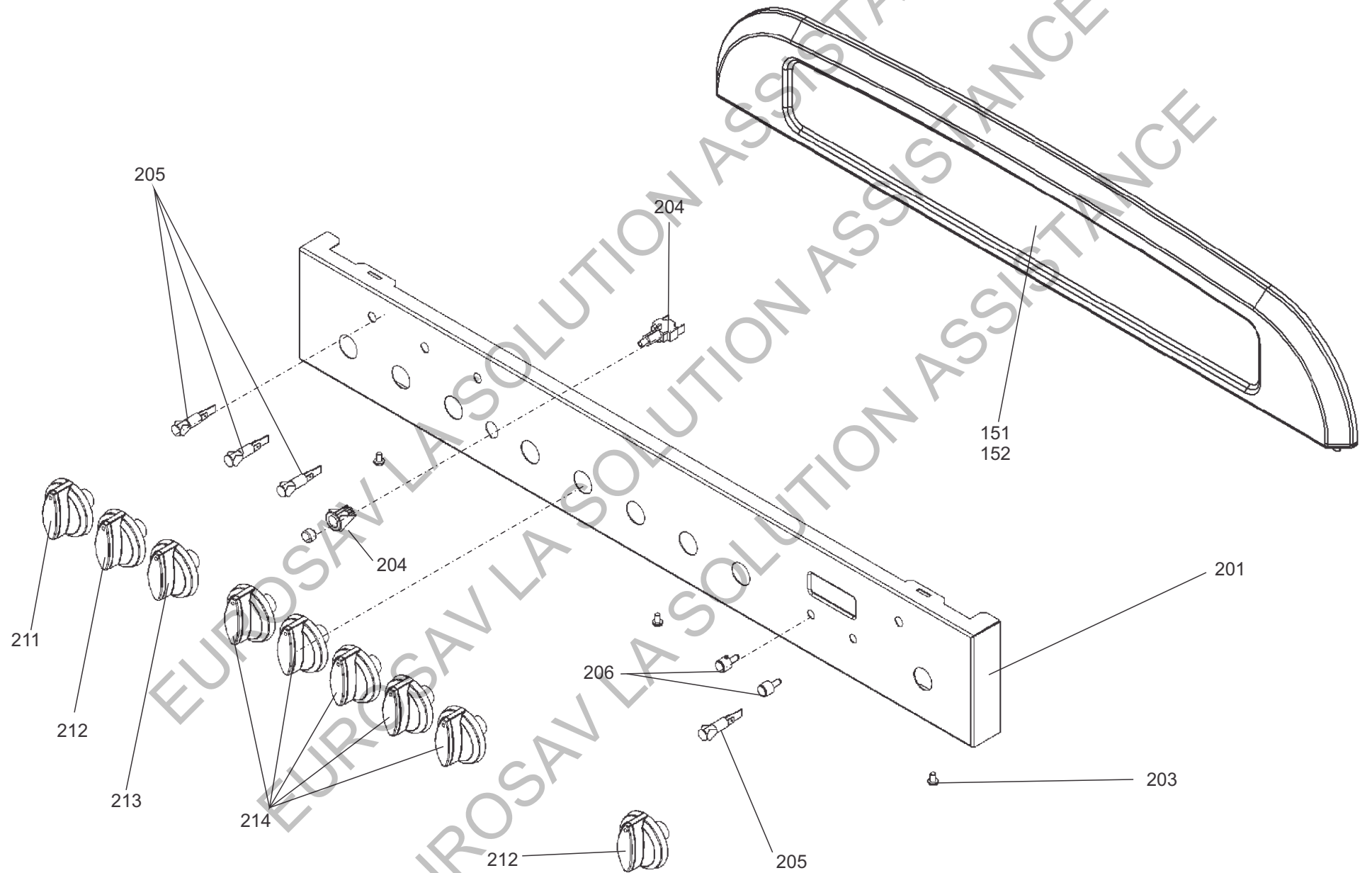
DATE 19.01.15

DSL0597 P03

ISSUE STATUS 01



INDUCTION UNIT

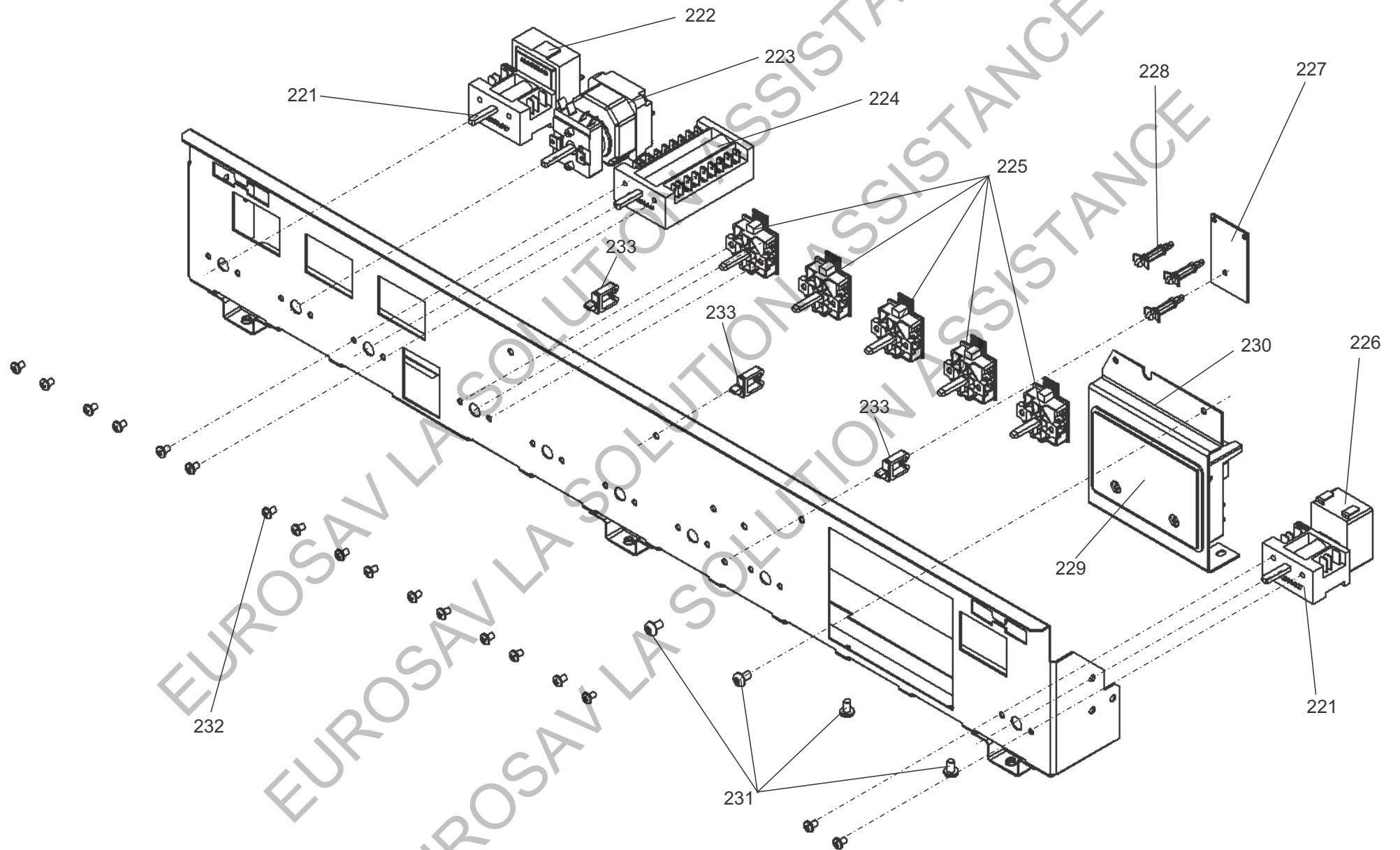


FACIA - CONTROLS - KNOBS

MASTERCHEF XL 90 INDUCTION

DATE 19.01.15 ISSUE 01

DSL0597 P05



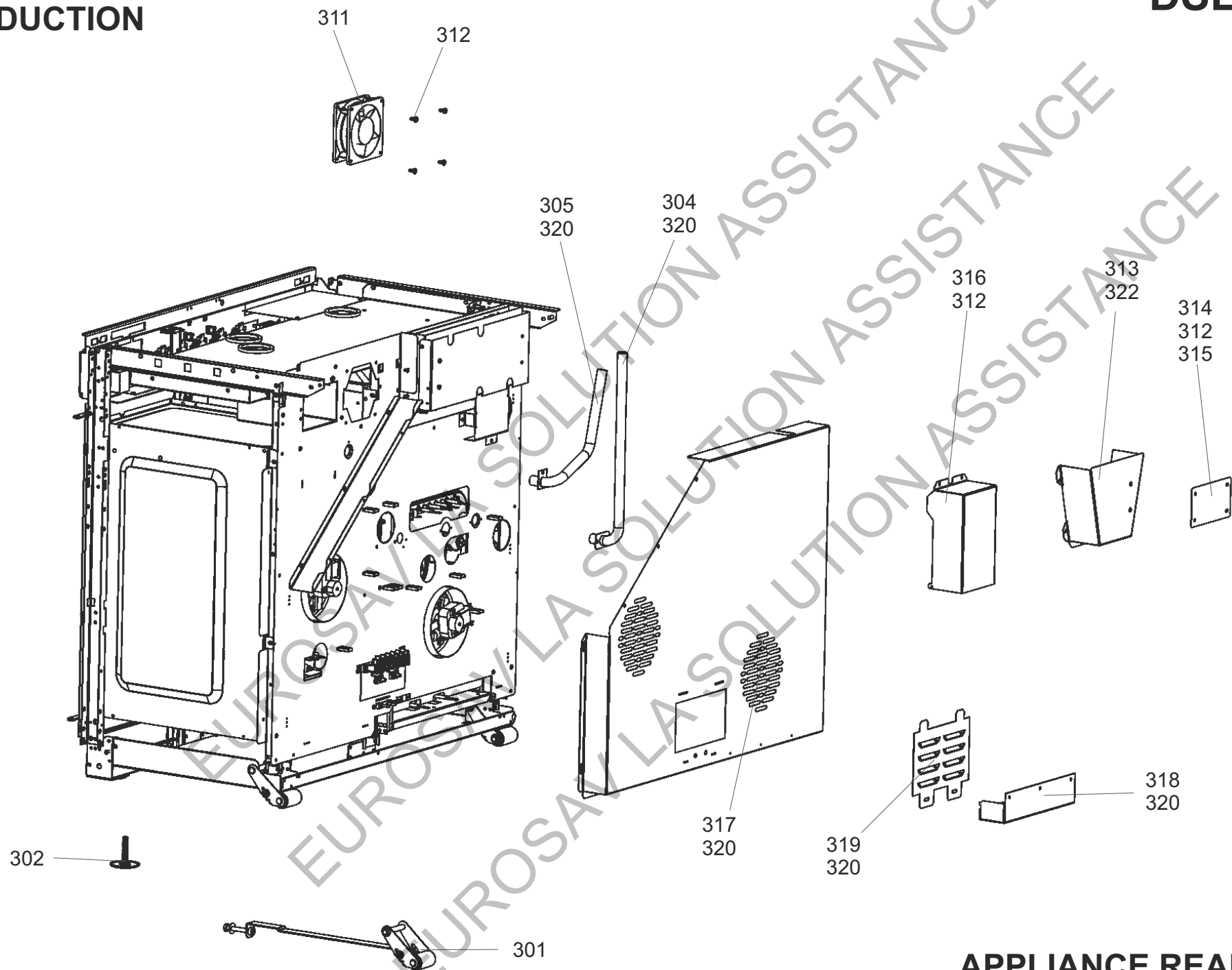
CONTROLS ASSEMBLY

MASTERCHEF XL 90 INDUCTION

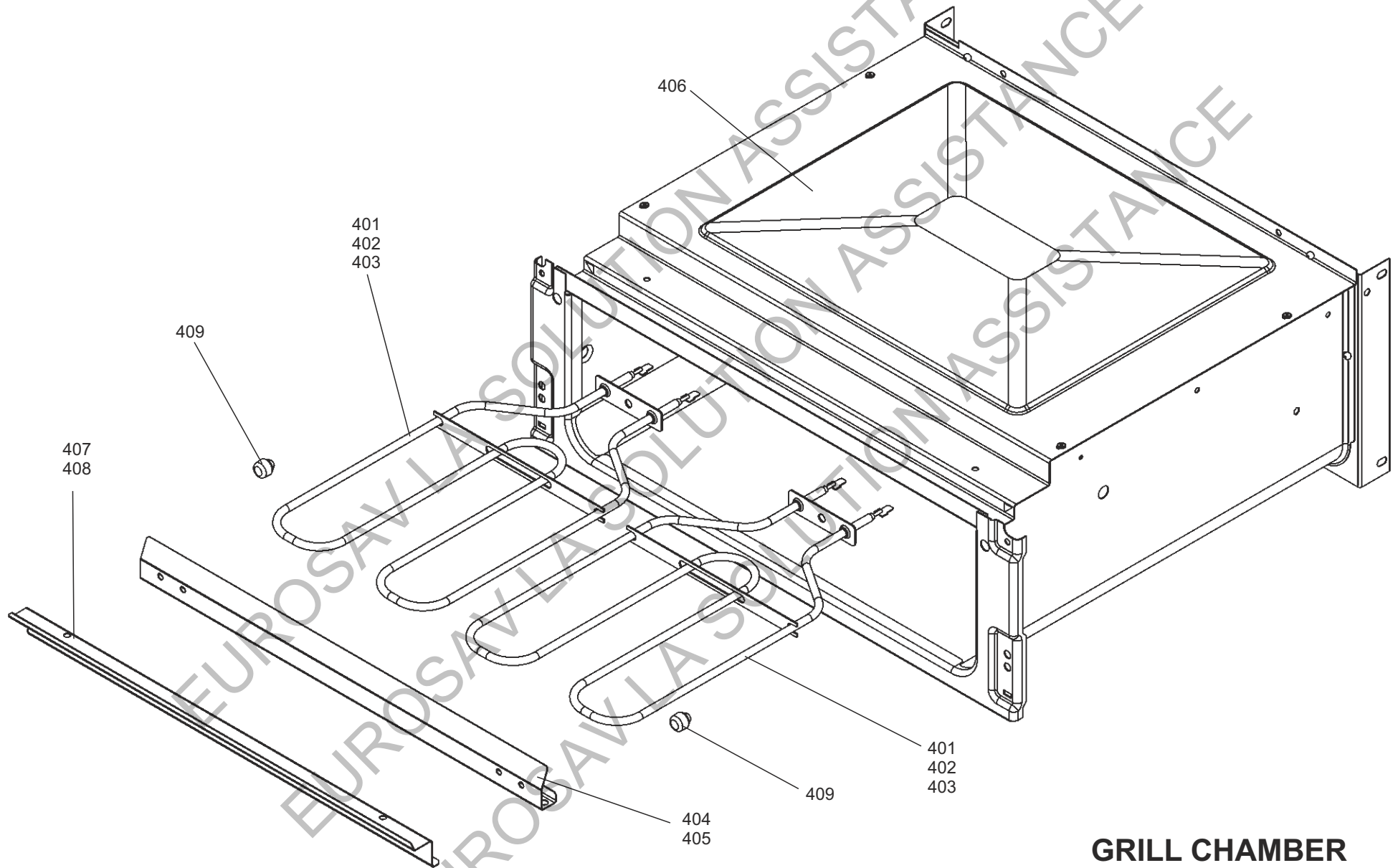
DATE 19.01.15

DSL0597 P06

ISSUE STATUS 01



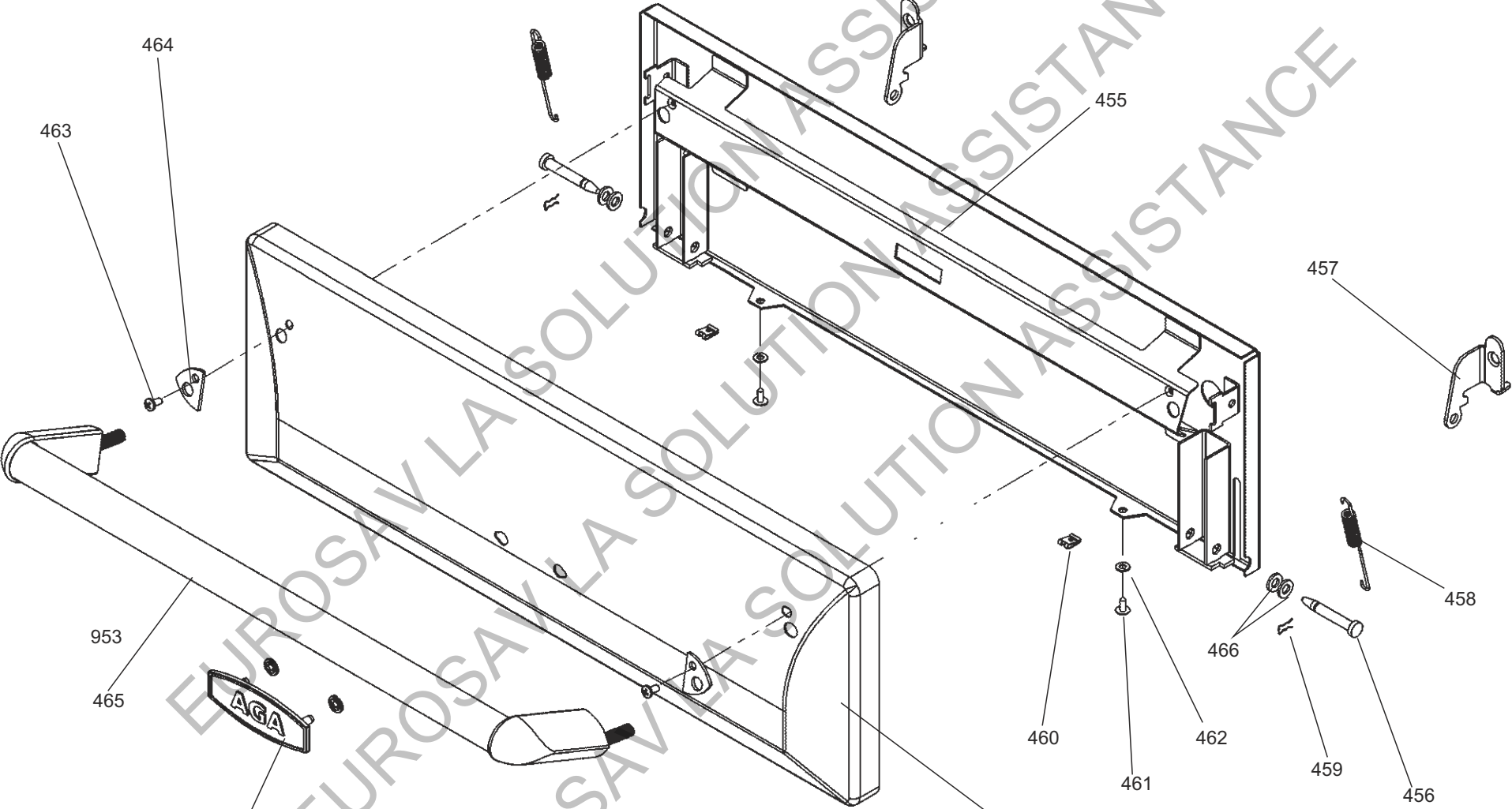
APPLIANCE REAR



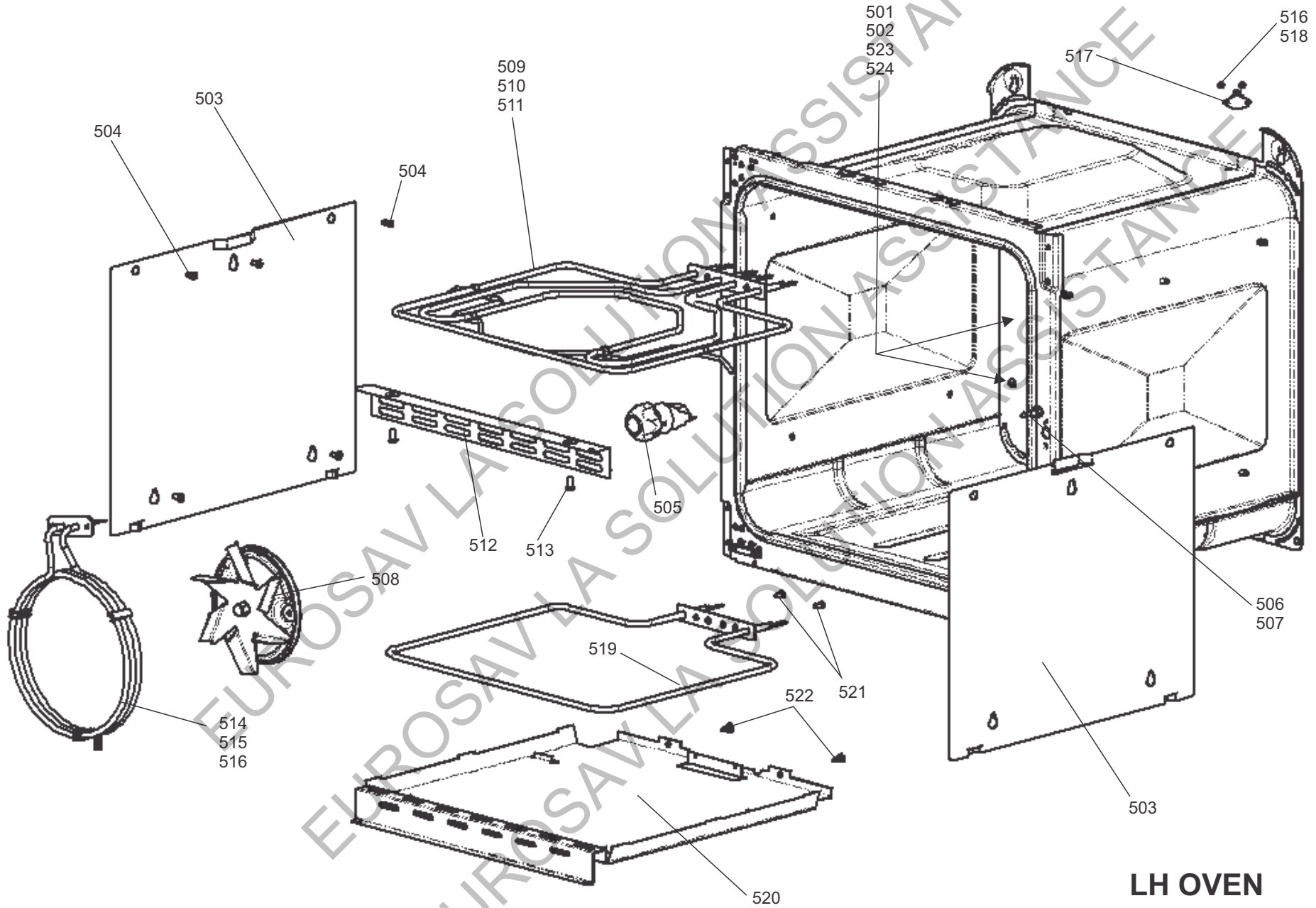
GRILL CHAMBER

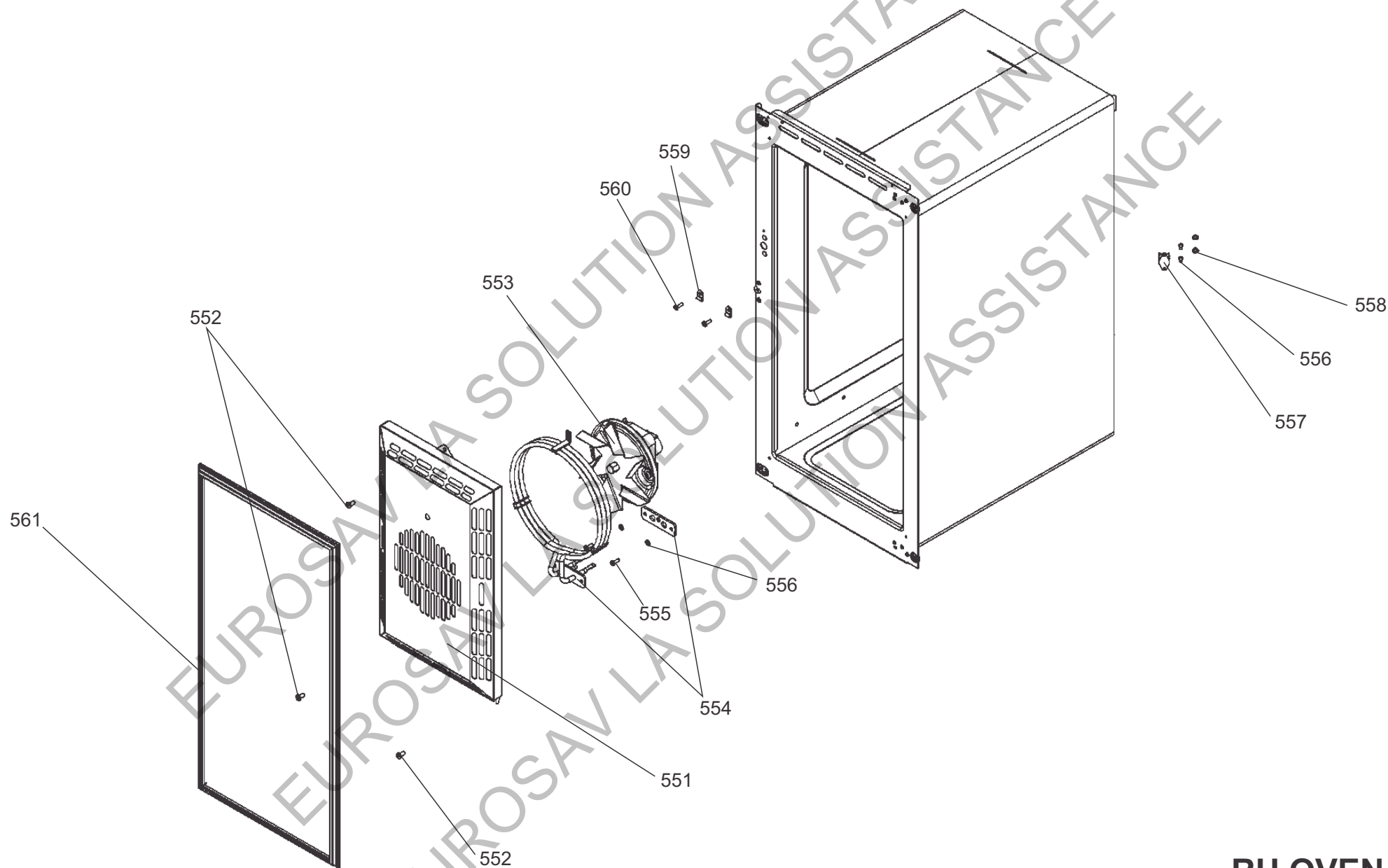
AGA MASTERCHEF XL 90 INDUCTION

DSL0597 P08
DATE 19.01.15 ISSUE STATUS 01

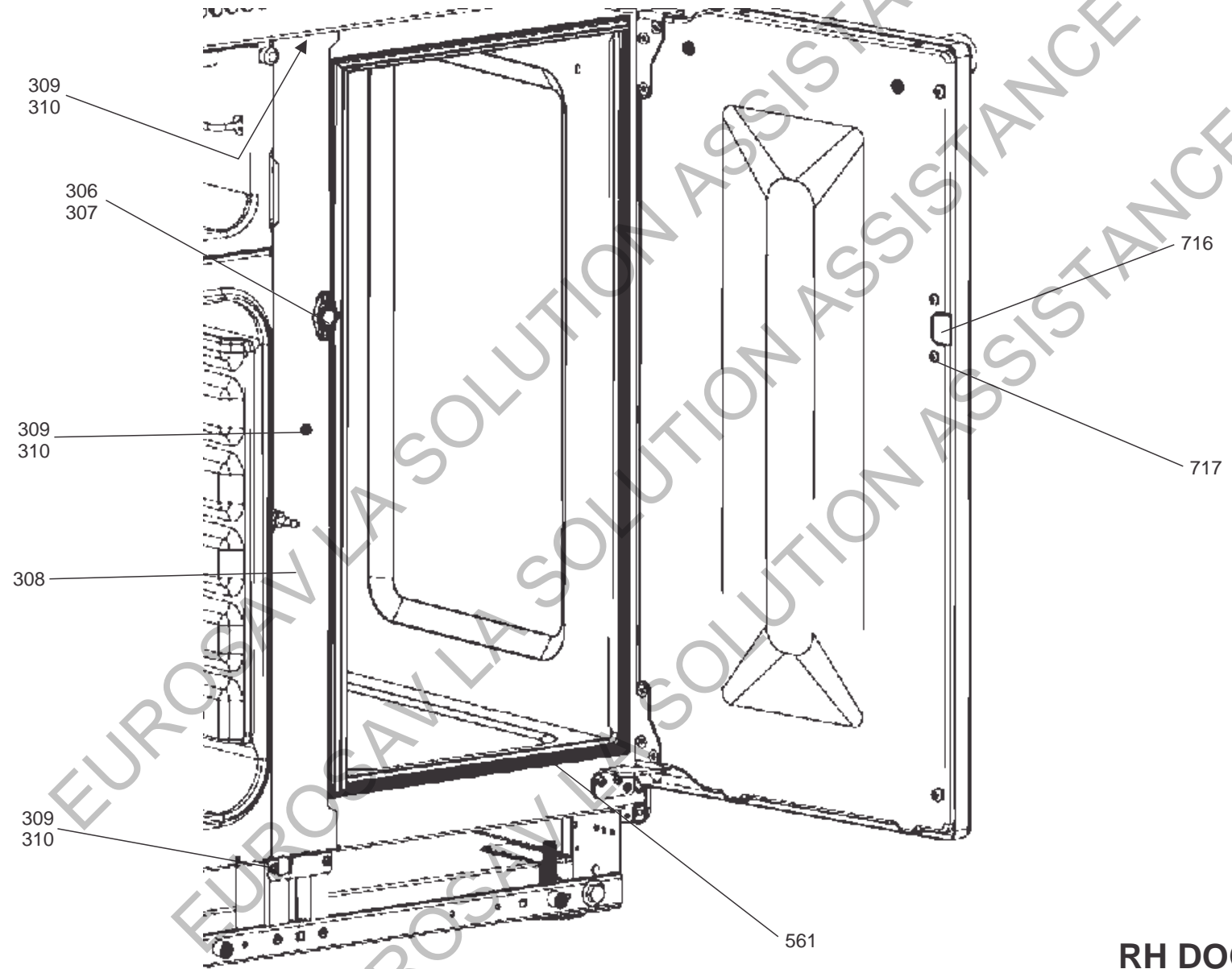


GRILL DOOR

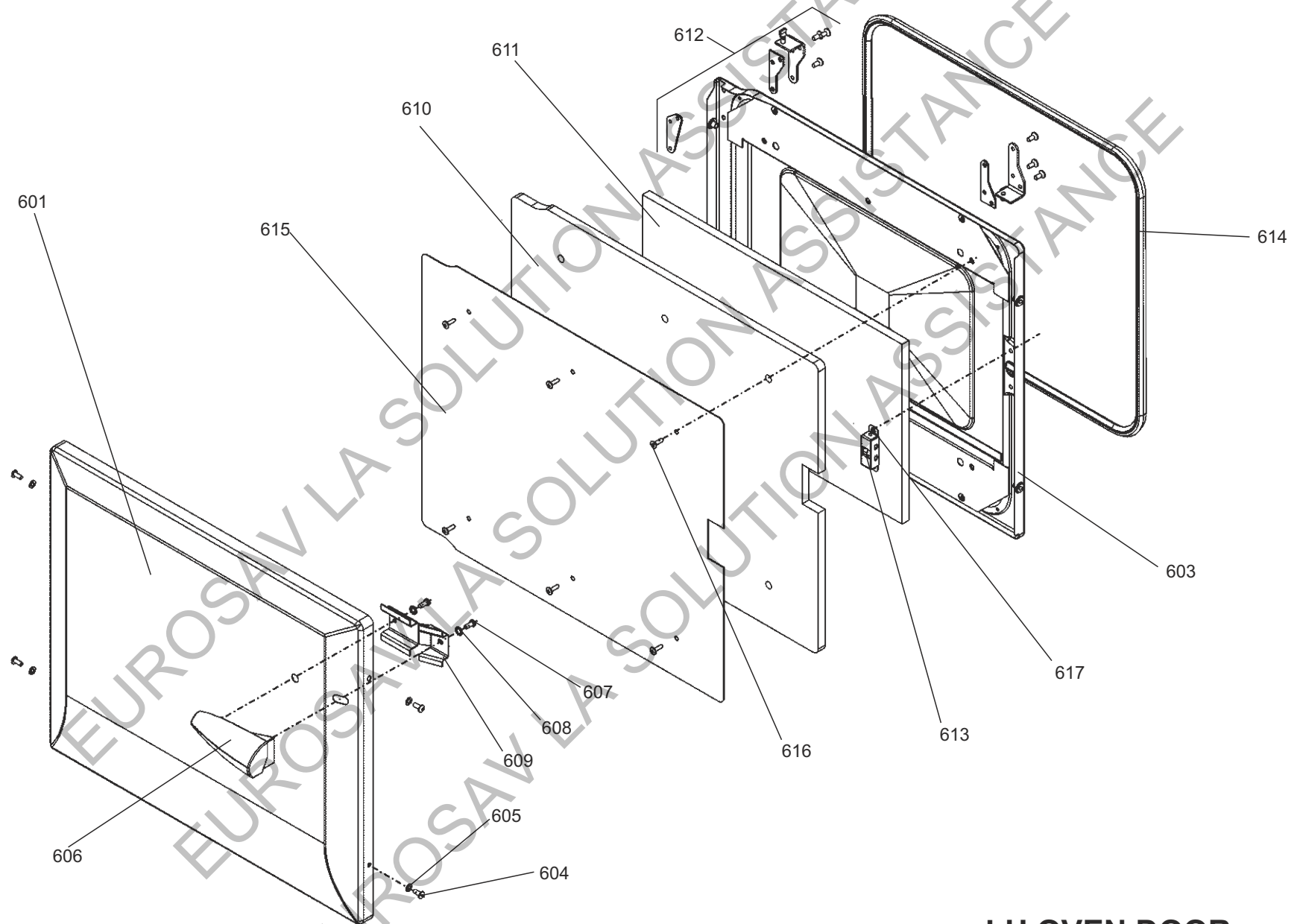




RH OVEN



RH DOOR AND INFILL



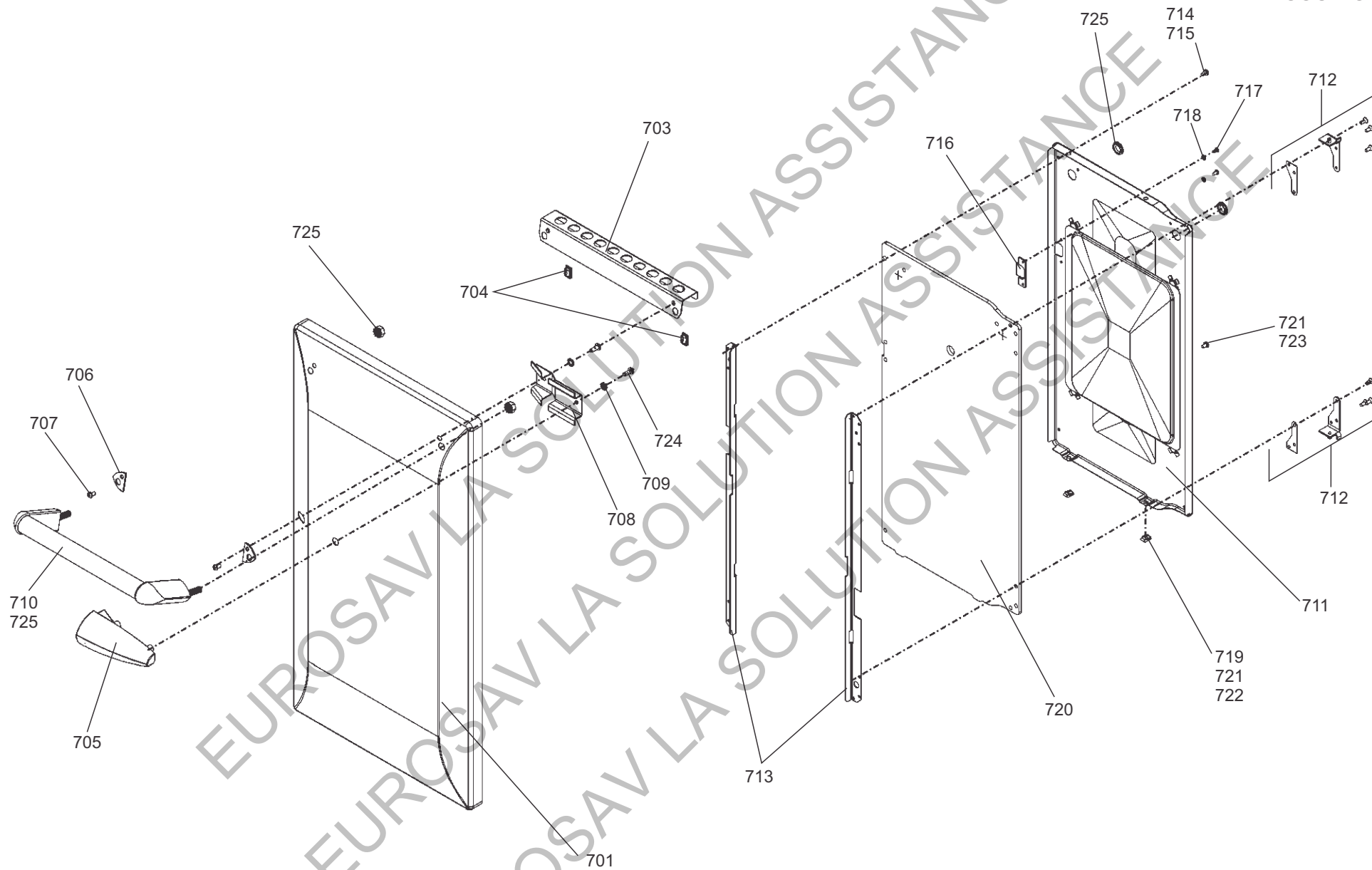
LH OVEN DOOR

AGA MASTERCHEF XL 90 INDUCTION

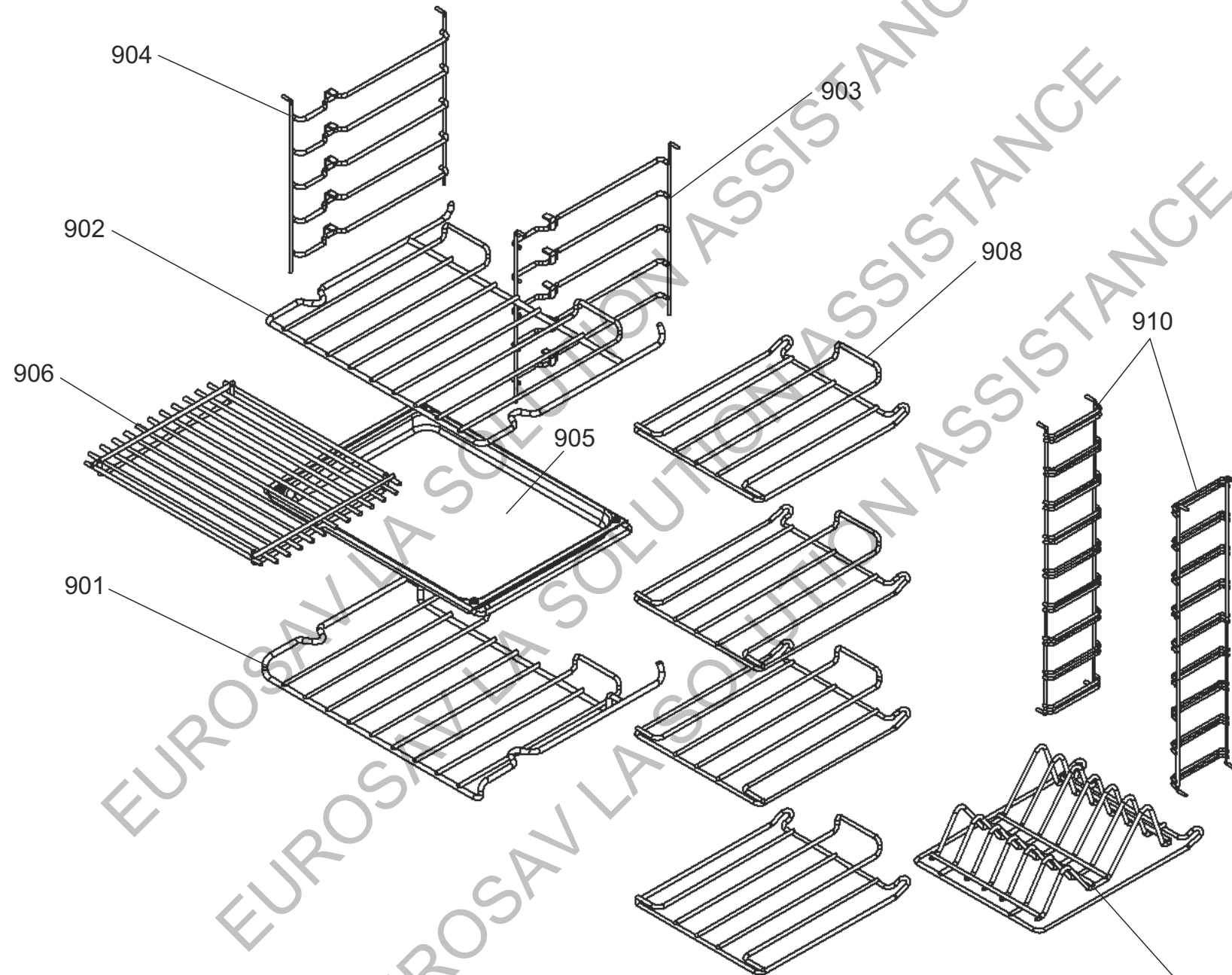
DATE 19.01.15

DSL0597 P13

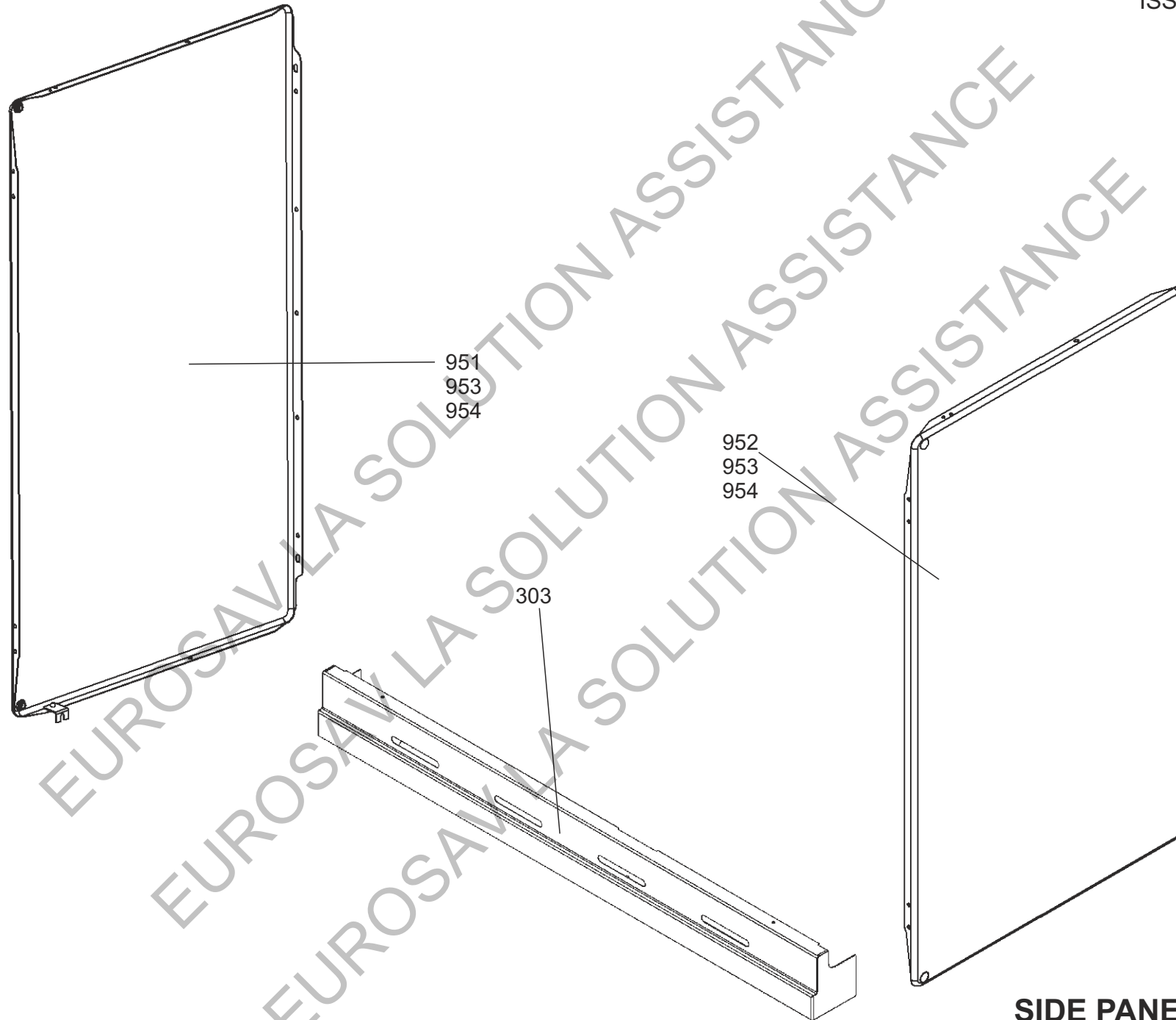
ISSUE STATUS 01



RH OVEN DOOR



907
OVEN ACCESSORIES



SIDE PANELS & PLINTH

| LOCATION | DESCRIPTION |
|-----------------|---|
| | HOTPLATE - (G5INDUCTION) |
| 103 | CABLE CLIP - STRAIN RELIEF G5 INDUCT |
| 104 | FIXING SCREW - STRAIN RELIEF CLIP |
| | CHASSIS |
| 321 | SCREW No6x10PHP - FIX EXHAUST DUCT |
| | ELECTRICAL |
| 801 | TERMINAL BLOCK 7 WAY |
| 802 | No8x1/2" PAN HD - FIX TERMINAL BLOCK |
| 803 | TERMINAL BLOCK INSULATION |
| 804 | CABLE CLAMP |
| 805 | SCREW 4MMx25 PHP - FIX CABLE CLAMP TO COOKER BACK |
| 806 | ADAPTOR ASSY TERMINAL BLOCK |
| | OVEN FURNITURE |
| 909 | TALL OVEN 6mm LADDER |
| | MISCELLANEOUS |
| 955 | WRENCH |
| 956 | Oven Steam Pipe Grommet |
| 957 | Blanked Oven Grommet |
| | LITERATURE |
| 975 | INSTRUCTION PACK |

EUROSAV LA SOLUTION ASSISTANCE

EUROSAV LA SOLUTION ASSISTANCE

EUROSAV LA SOLUTION ASSISTANCE