

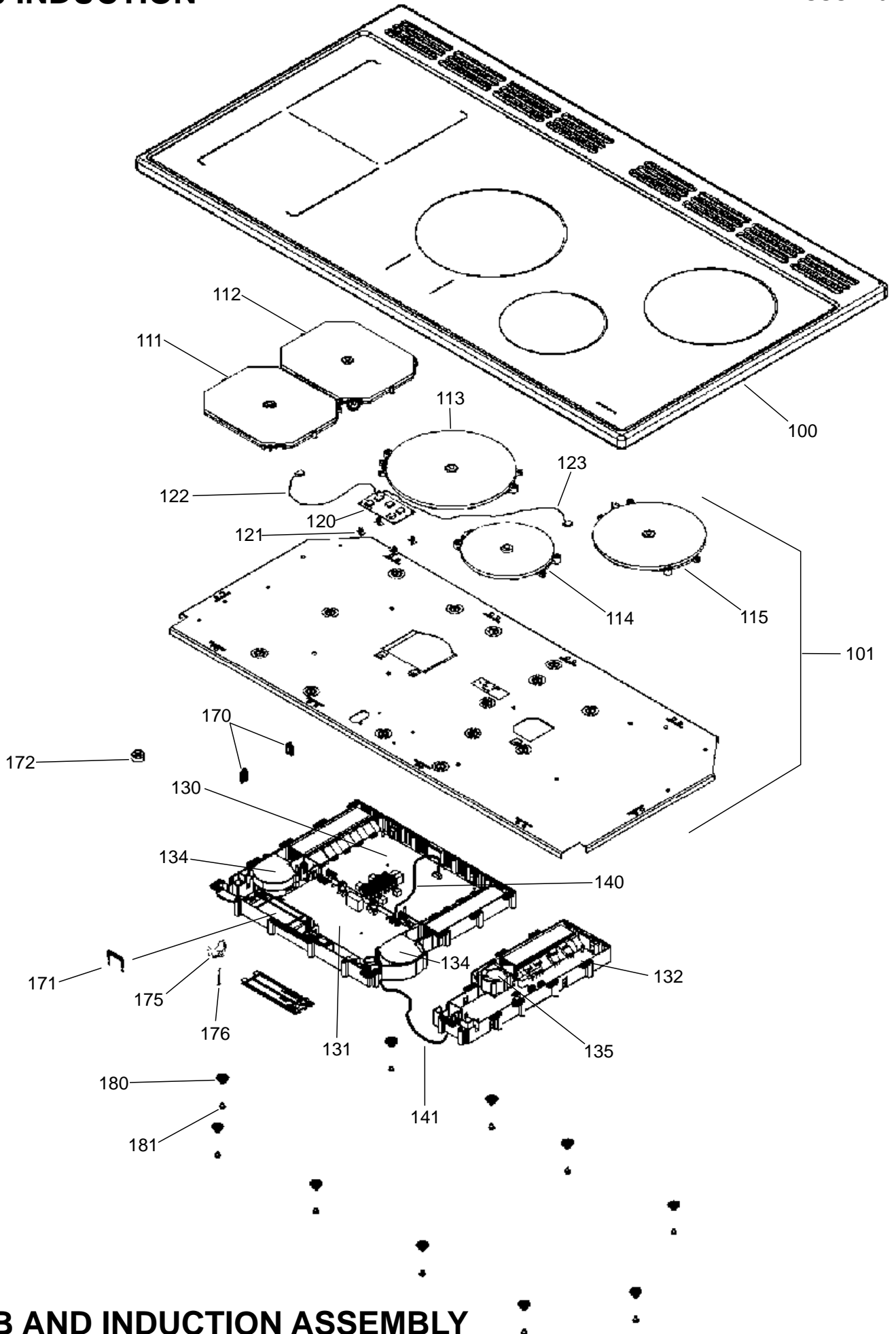
**AGA MASTERCHEF DELUXE  
110 INDUCTION**

DATE:11.09.2019

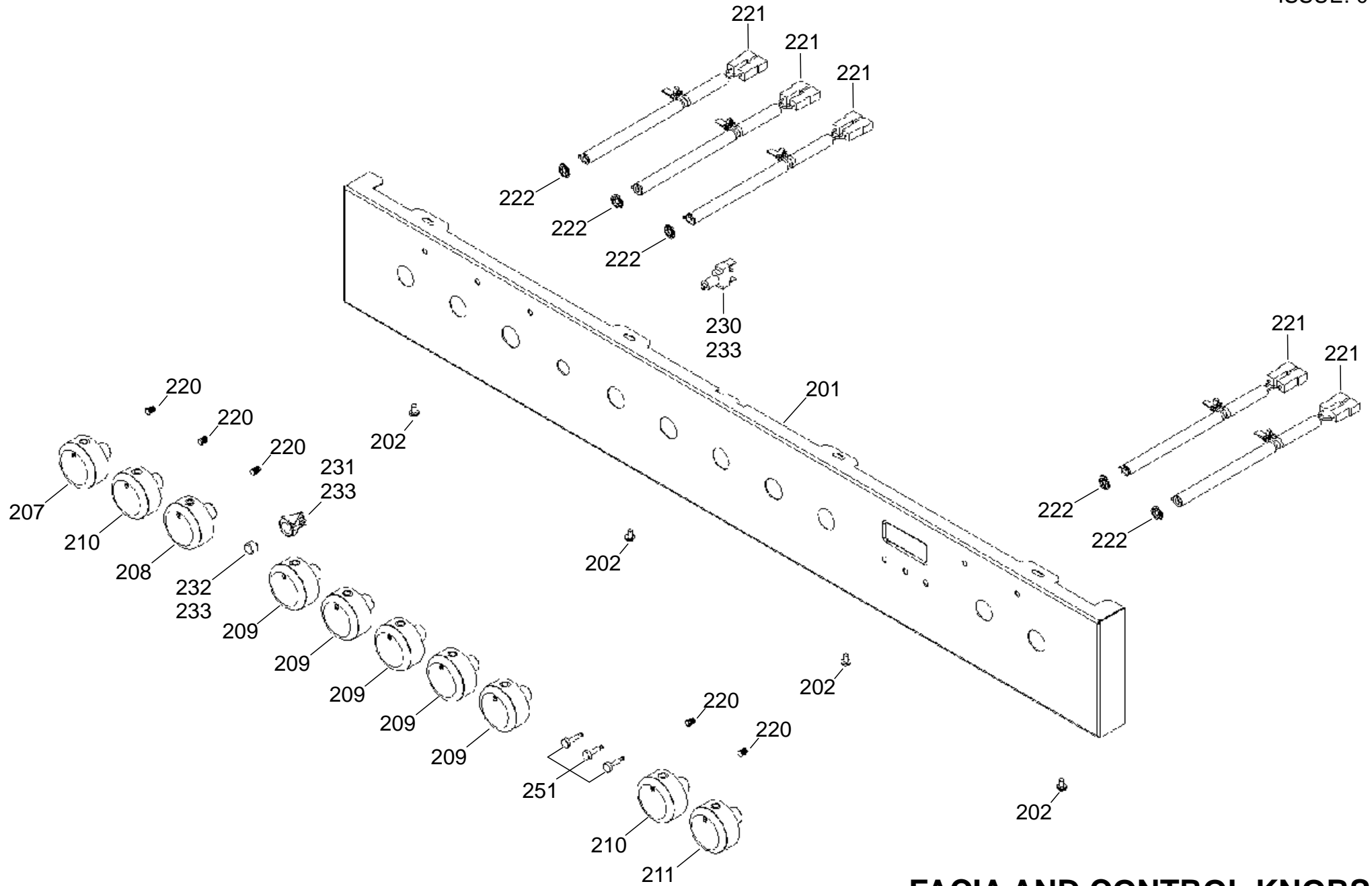
**DSL0806 P00**

ISSUE: 01

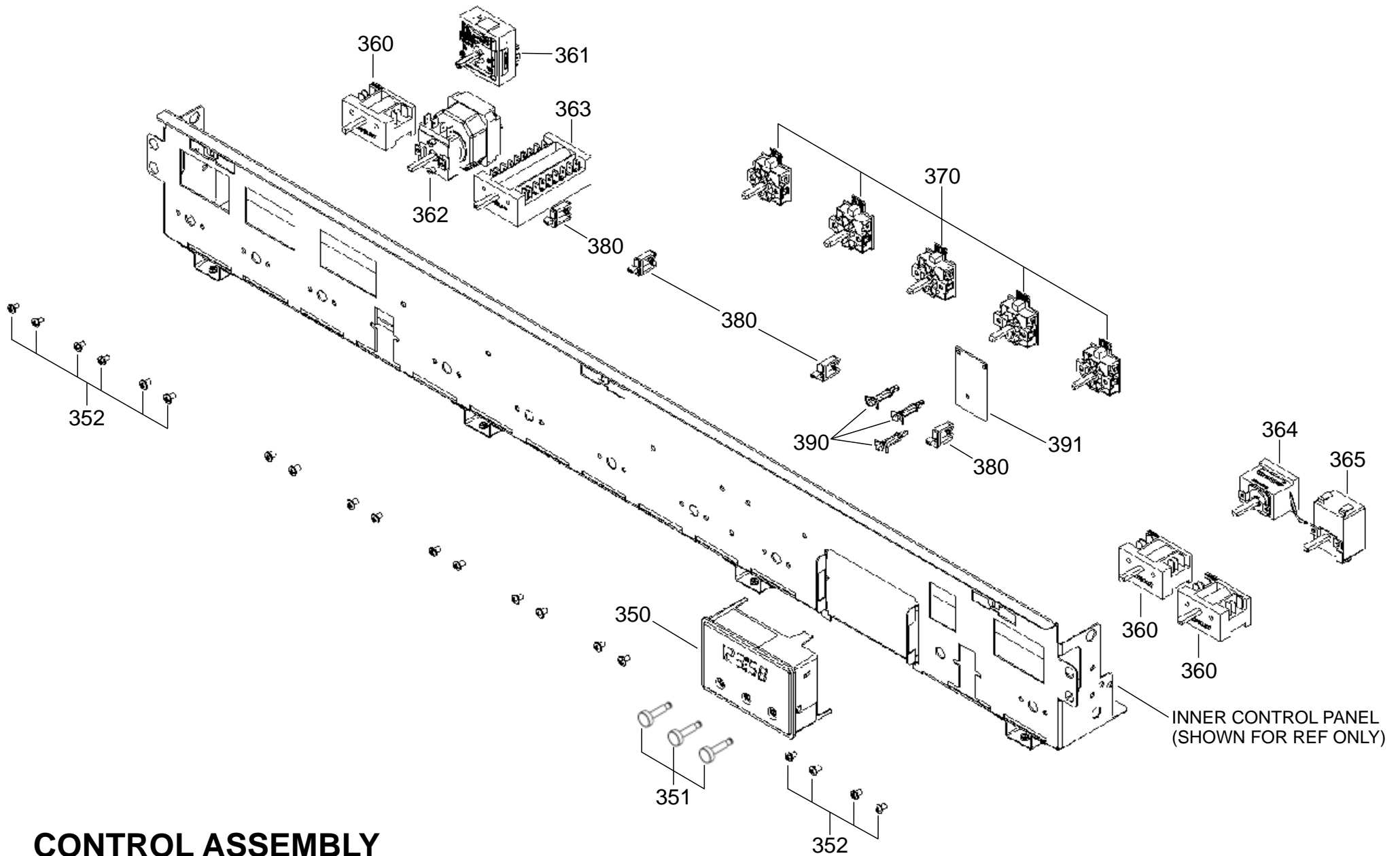




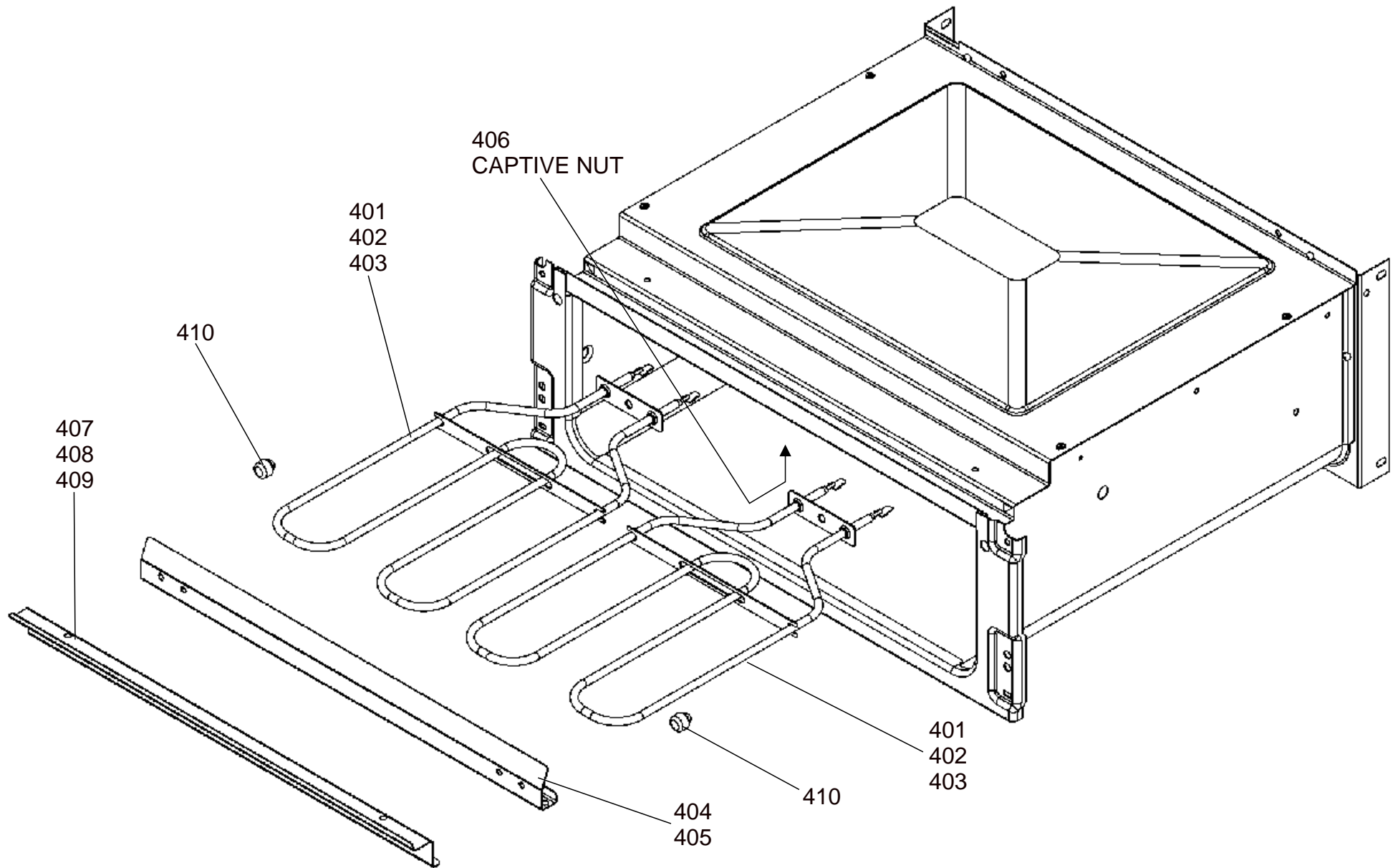
**HOB AND INDUCTION ASSEMBLY**



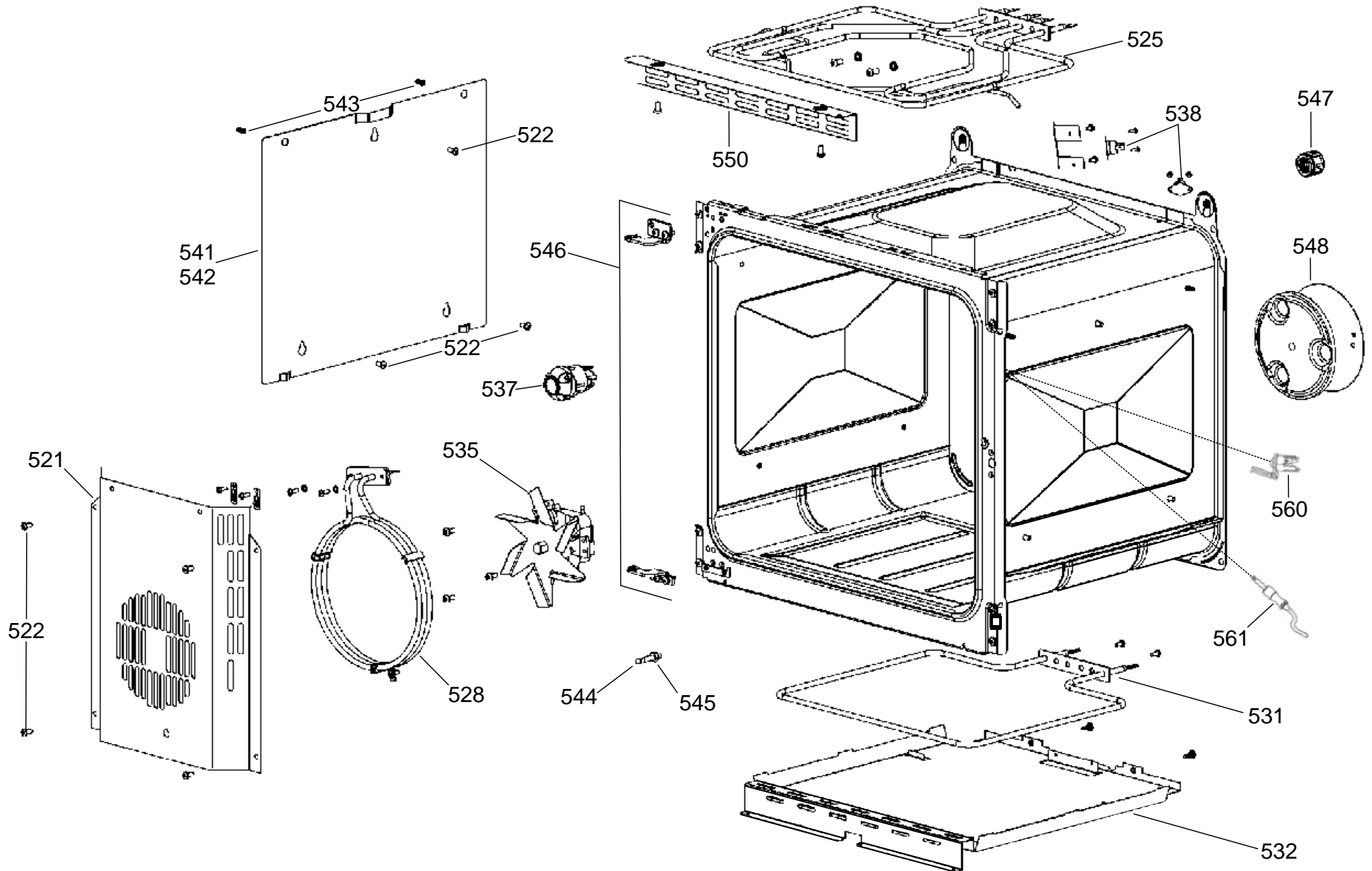
FACIA AND CONTROL KNOBS



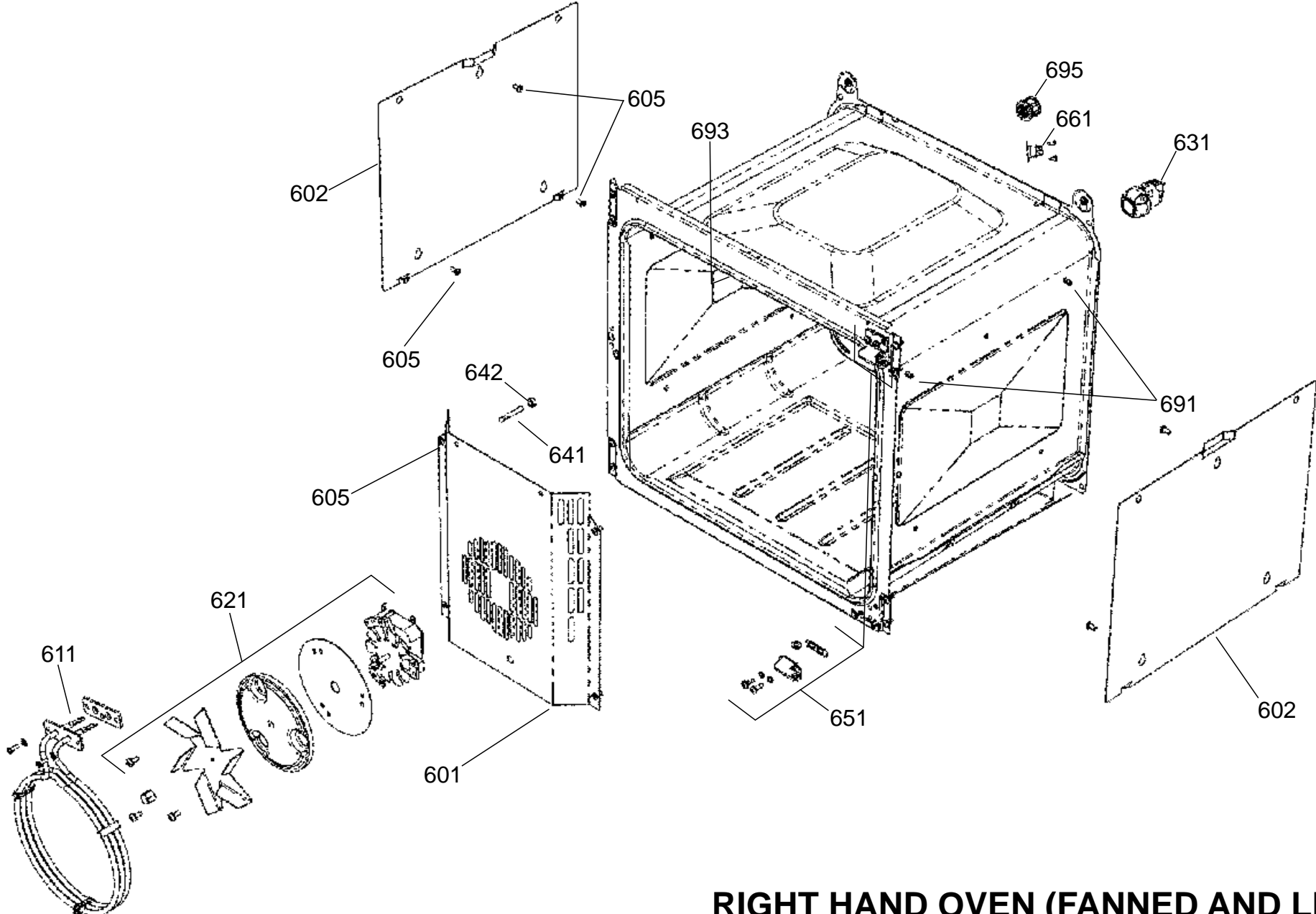
## CONTROL ASSEMBLY



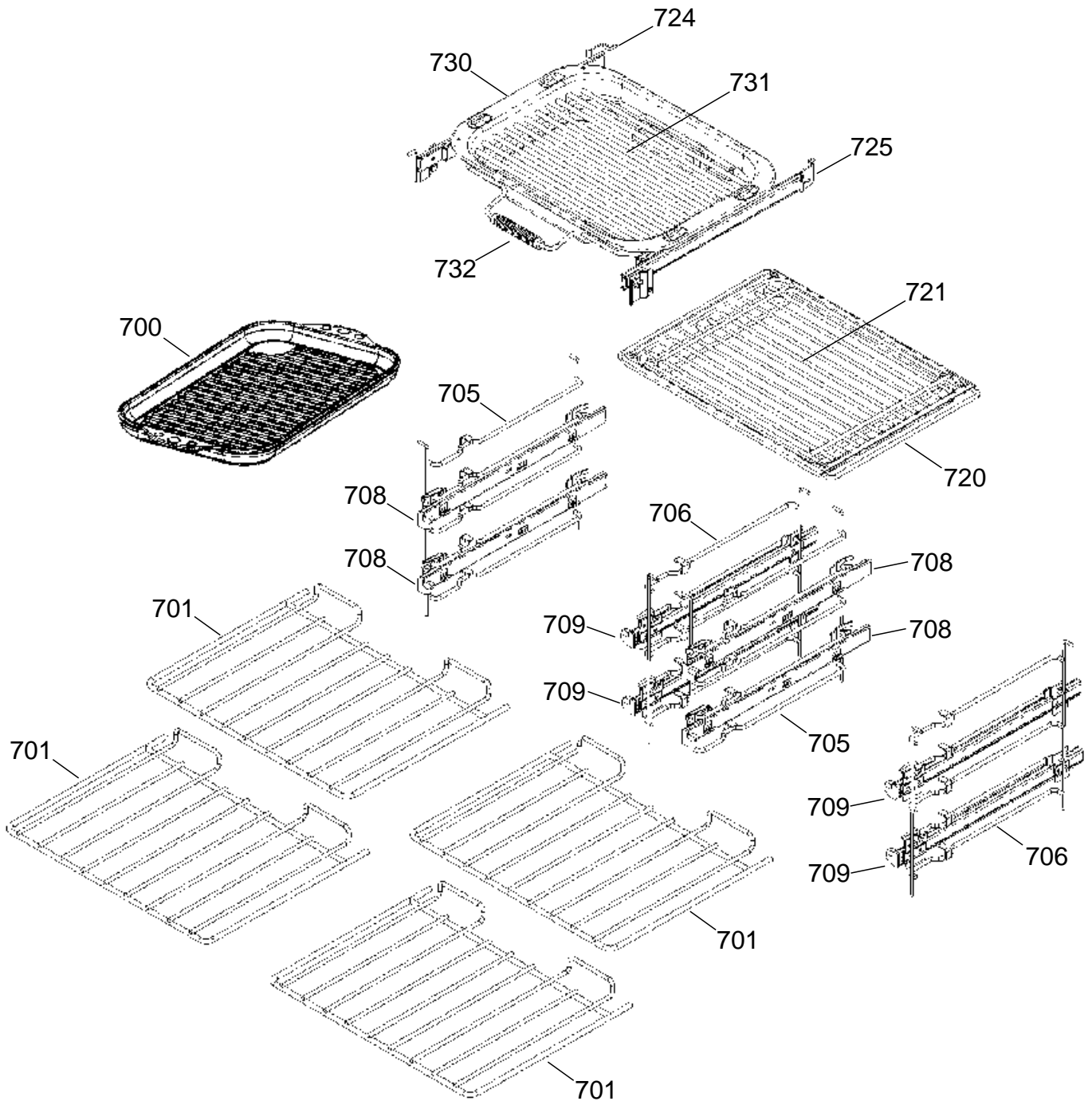
GRILL CHAMBER



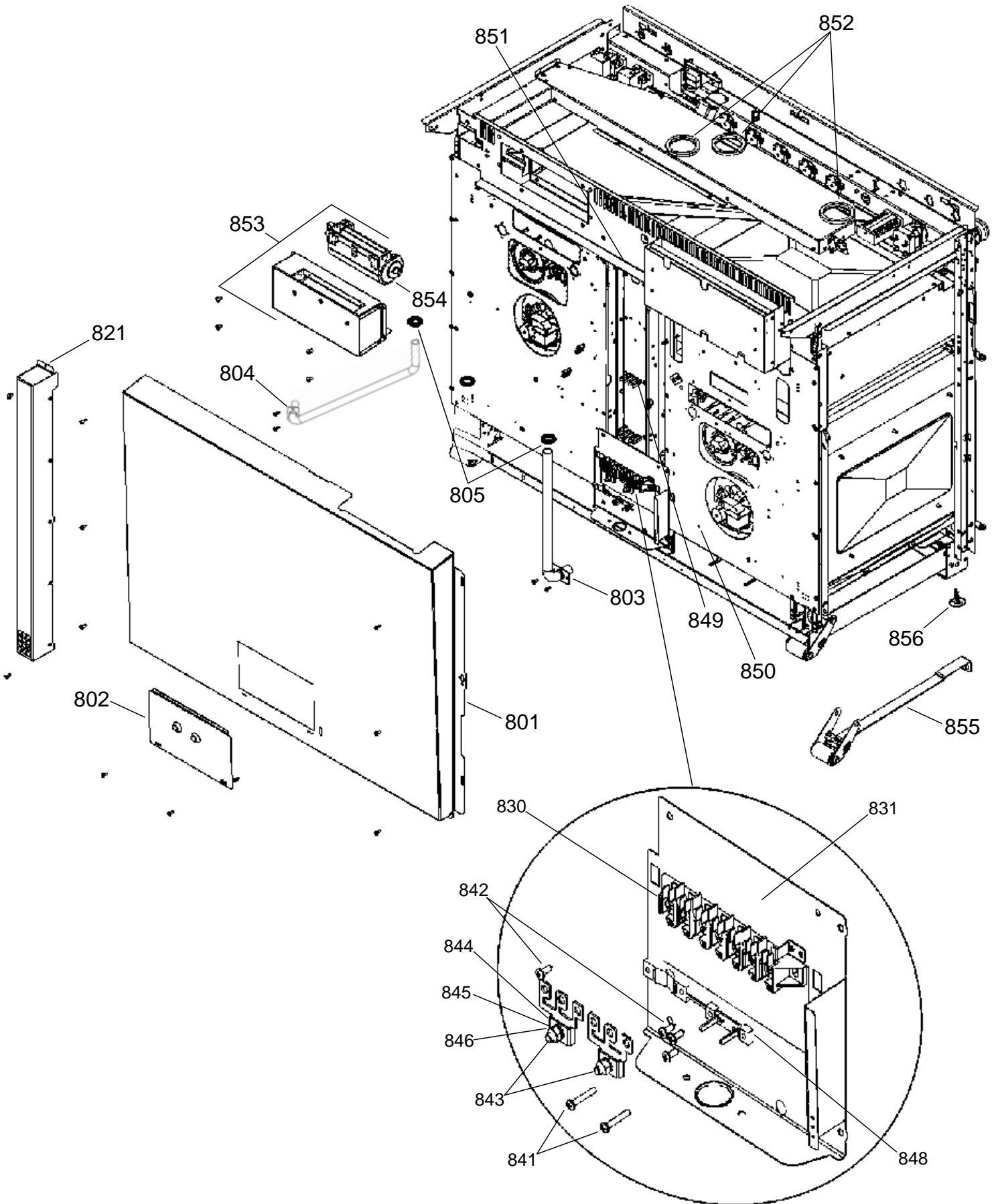
LH OVEN (MULTI-FUNCTION AND LIGHT AND MEAT PROBE)



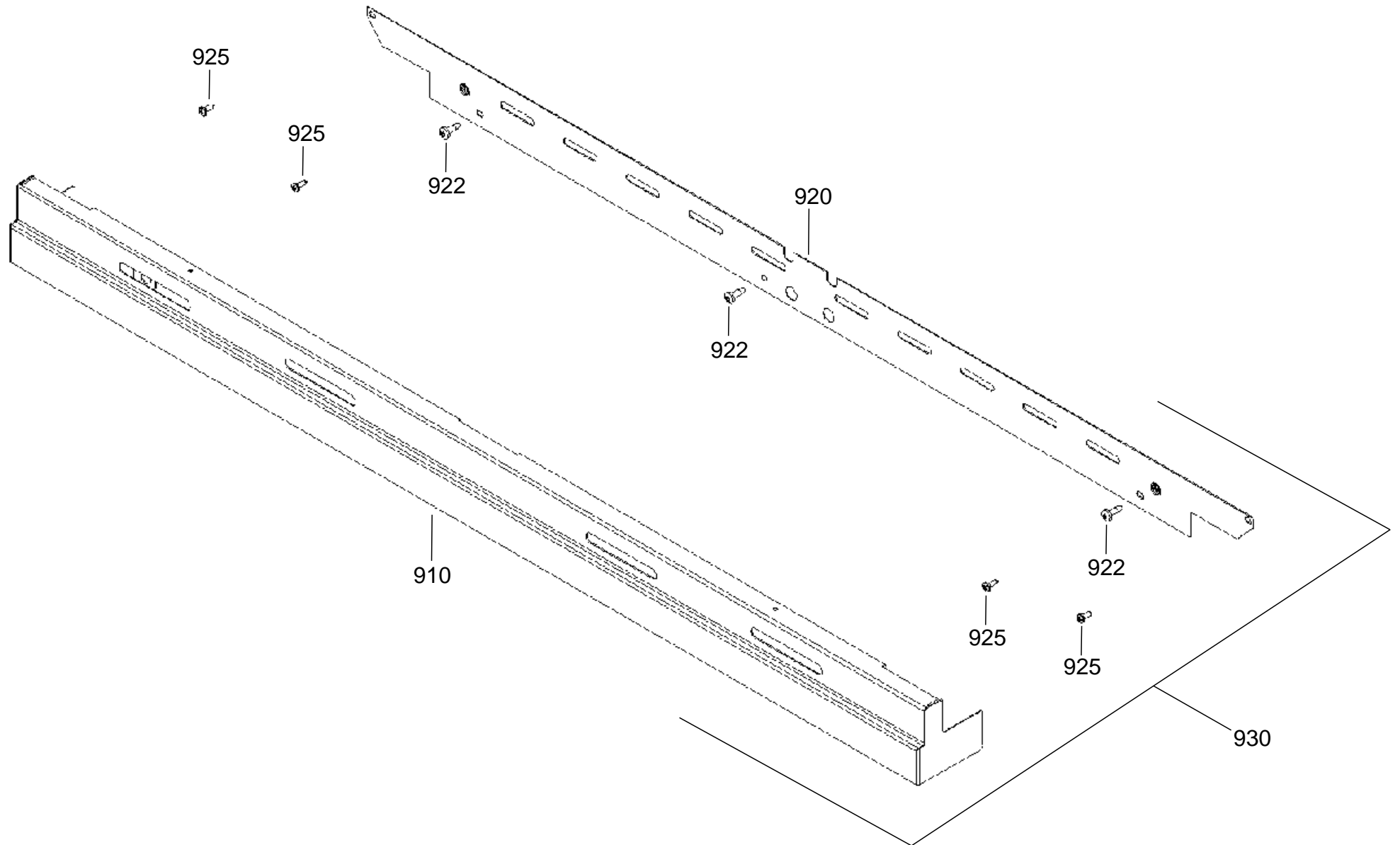
RIGHT HAND OVEN (FANNED AND LIGHT)



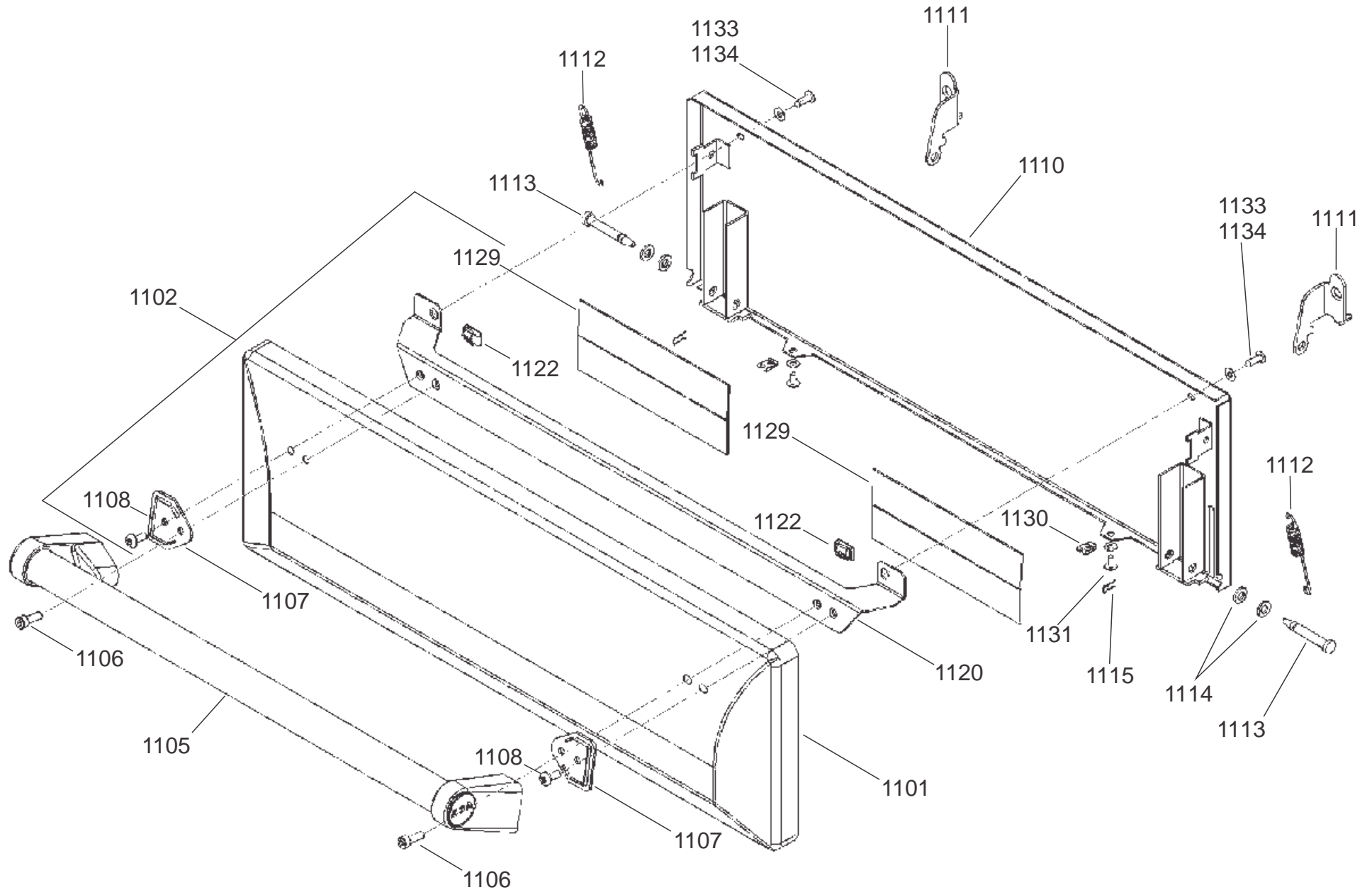




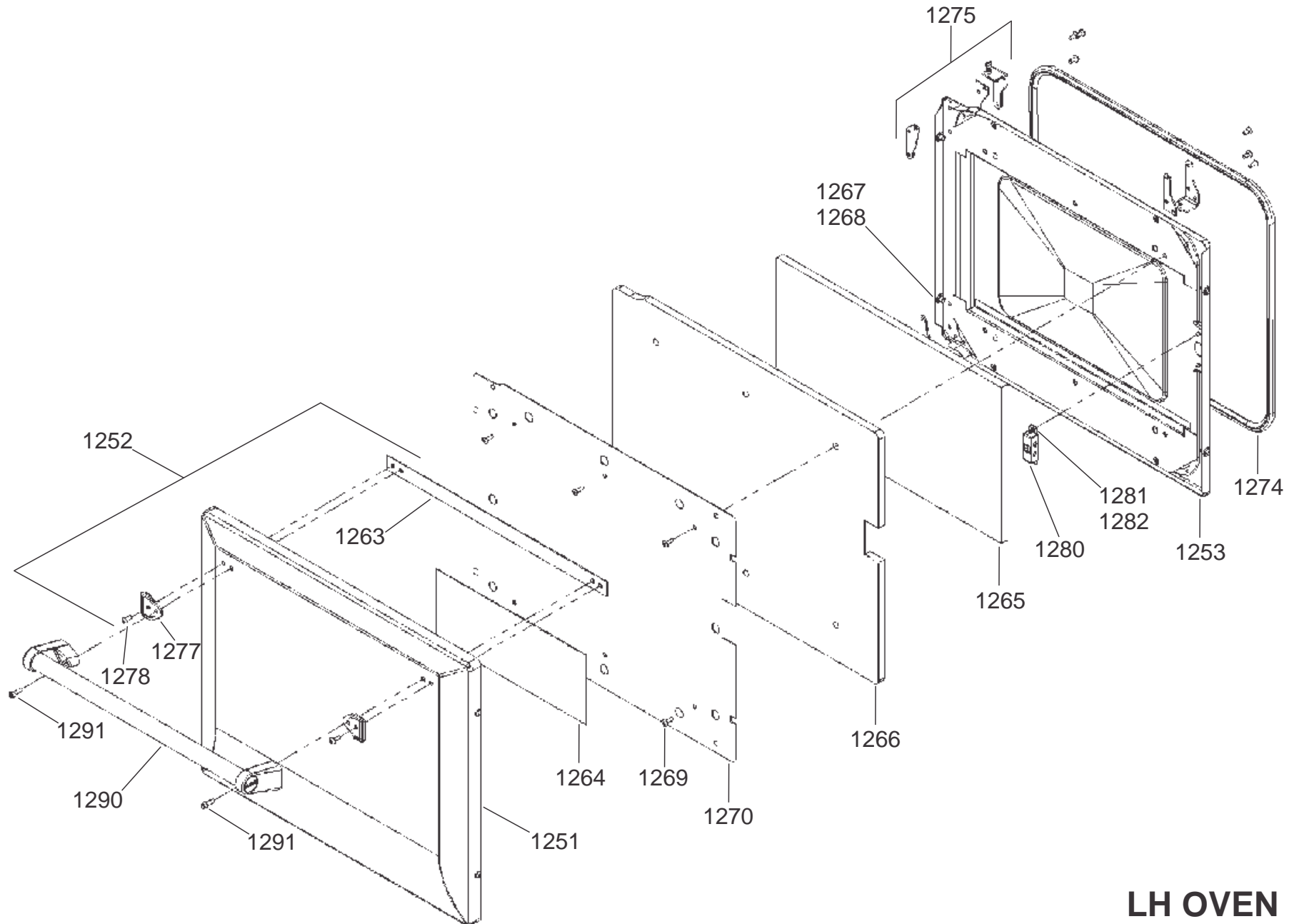
**COOKER BACK**



PLINTH



GRILL AND SLOW COOK OVEN DOOR



LH OVEN DOOR

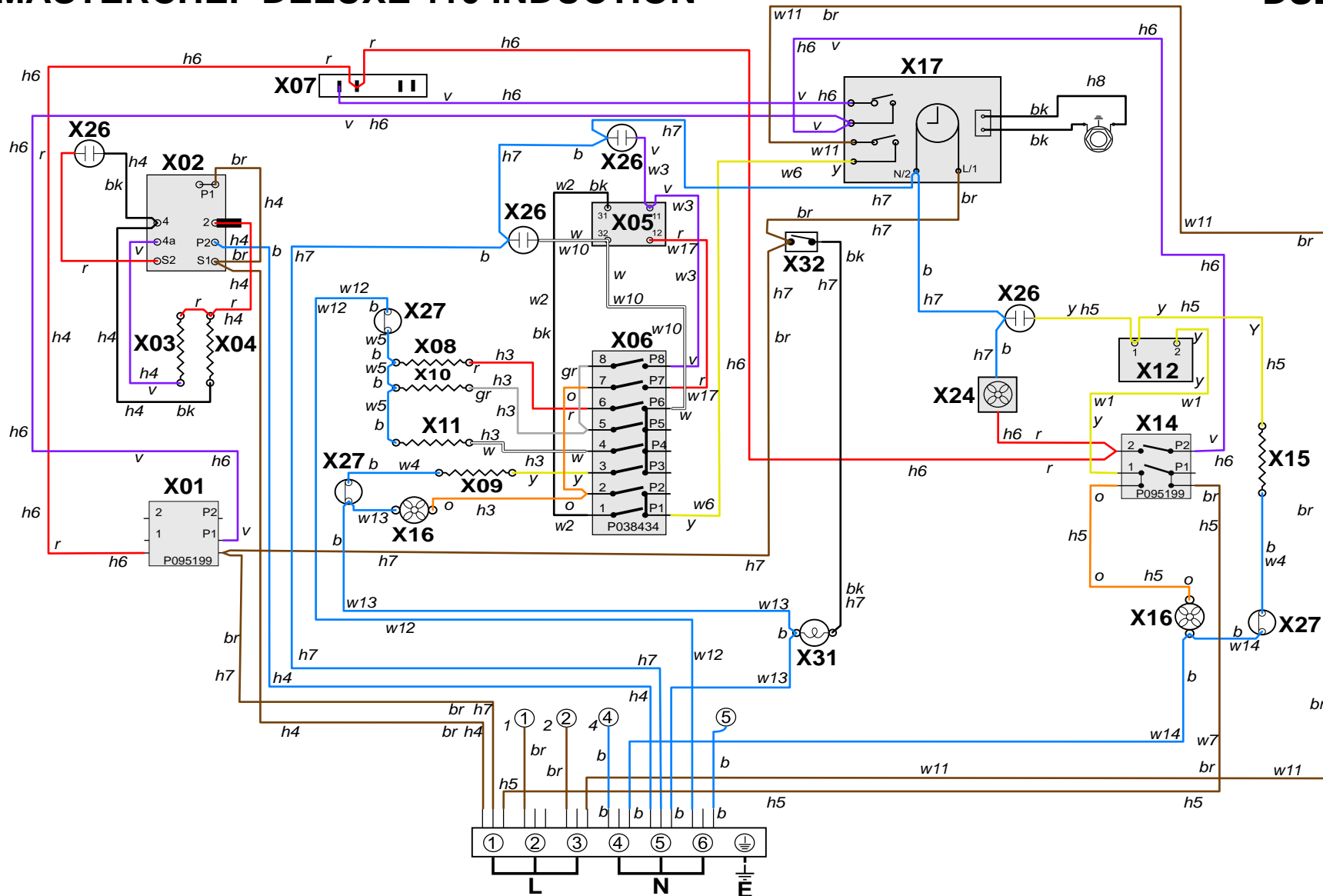


# AGA MASTERCHEF DELUXE 110 INDUCTION

DATE: 11.09.2019

DSL0806 P15

ISSUE: 01



## Key

Code	Description	Code	Description	Code	Description
X01	Grill Front Switch	X10	Left Hand Oven Top Outer Element	X20	Cooling Fan
X02	Grill Energy Regulator	X11	Left Hand Oven Top Inner Element	X24	Cooling Fan
X03	Left Hand Grill Element	X12	Right Hand Oven Thermostat	X26	Neons
X04	Right Hand Grill Element	X14	Right Hand Oven Front Switch	X27	Thermal Cut-Outs
X05	Left Hand Oven Thermostat	X15	Right Hand Oven Fan Element	X31	Oven Lights
X06	Left Hand Oven Multifunction Switch	X16	Oven Fans	X32	Oven Light Switch
X07	Left Hand Oven Front Switch	X17	Clock / Timer	X42	Meat Probe Socket
X08	Left Hand Oven Base Element	X18	Slow Cook Oven Thermostat		
X09	Left Hand Oven Fan Element	X19	Slow Cook Oven Front Switch		

Code	Colour	Code	Colour
b	Blue	v	Violet
br	Brown	w	White
bk	Black	y	Yellow
or	Orange	g / y	Green / Yellow
r	Red	gr	Grey

The connections shown in the circuit diagram are for single phase.

The ratings are for 230V 50Hz.

Component positions shown are viewed from the front of the cooker.

## WIRING DIAGRAM