

**AGA MASTERCHEF DELUXE
110 DUAL FUEL EU**

DATE:18.09.2019

DSL0821 P00

ISSUE: 01

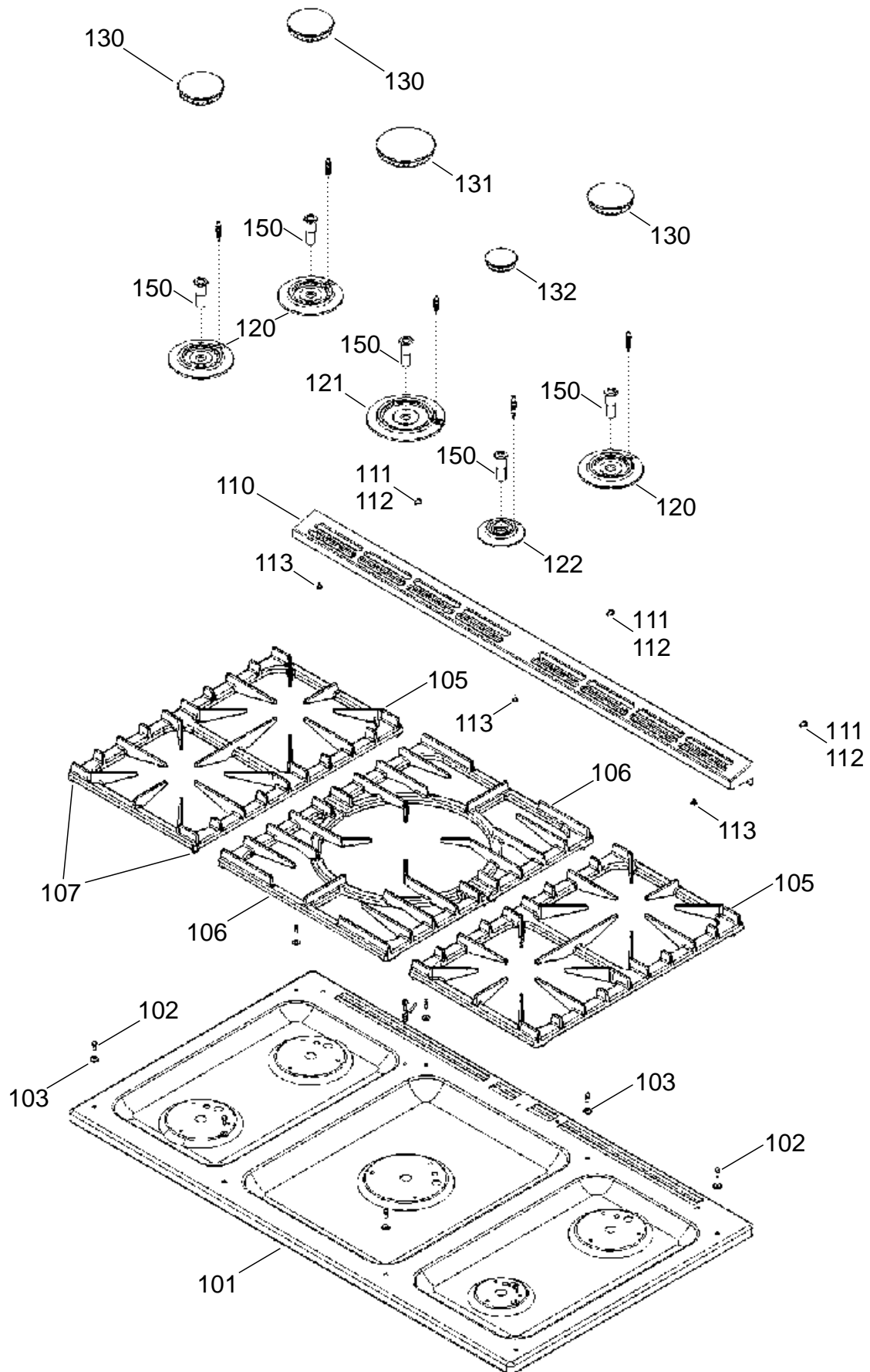


**AGA MASTERCHEF DELUXE
110 DUAL FUEL EU**

DATE:18.09.2019

DSL0821 P01

ISSUE: 01



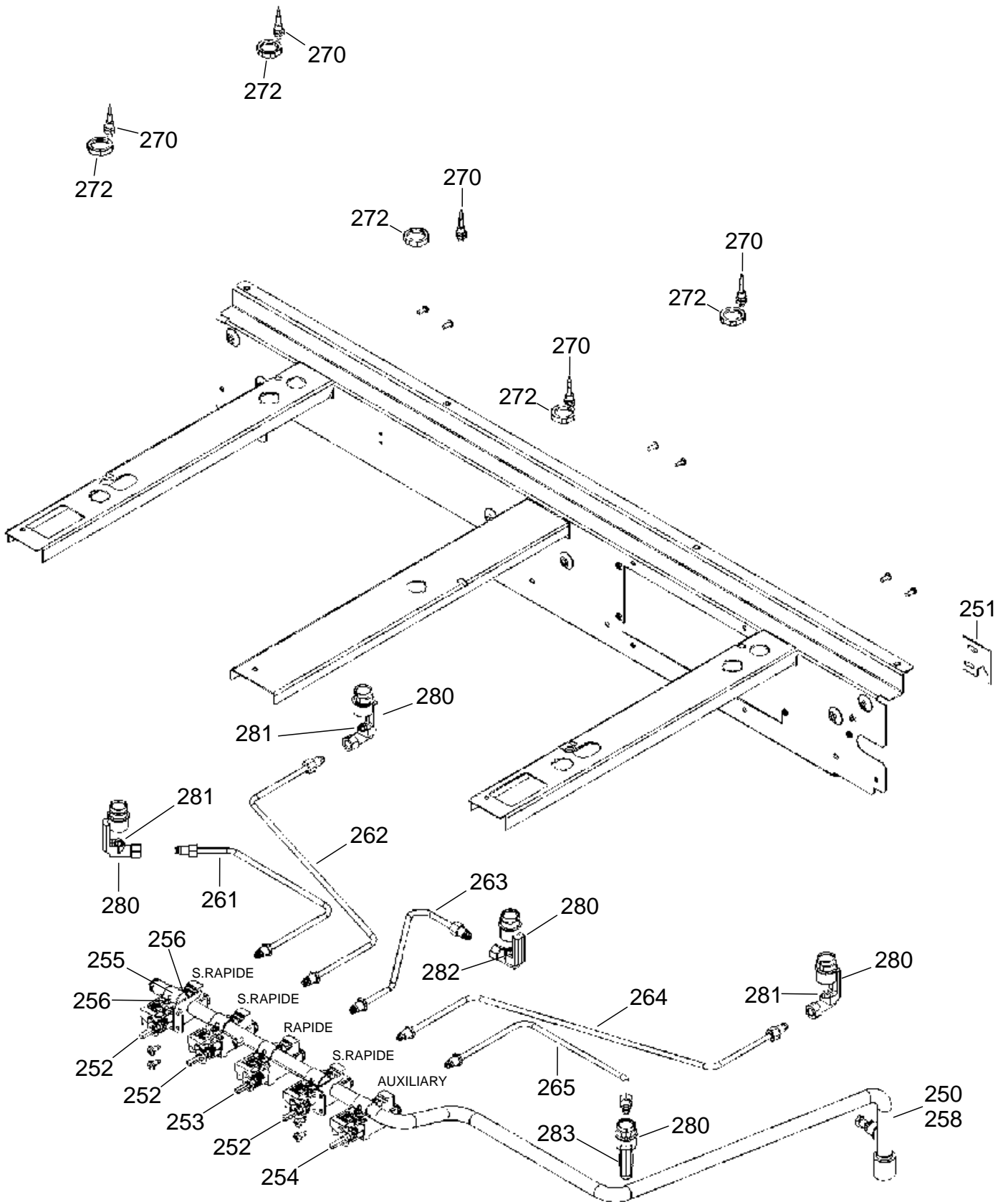
HOTPLATE

AGA MASTERCHEF DELUXE 110 DUAL FUEL EU

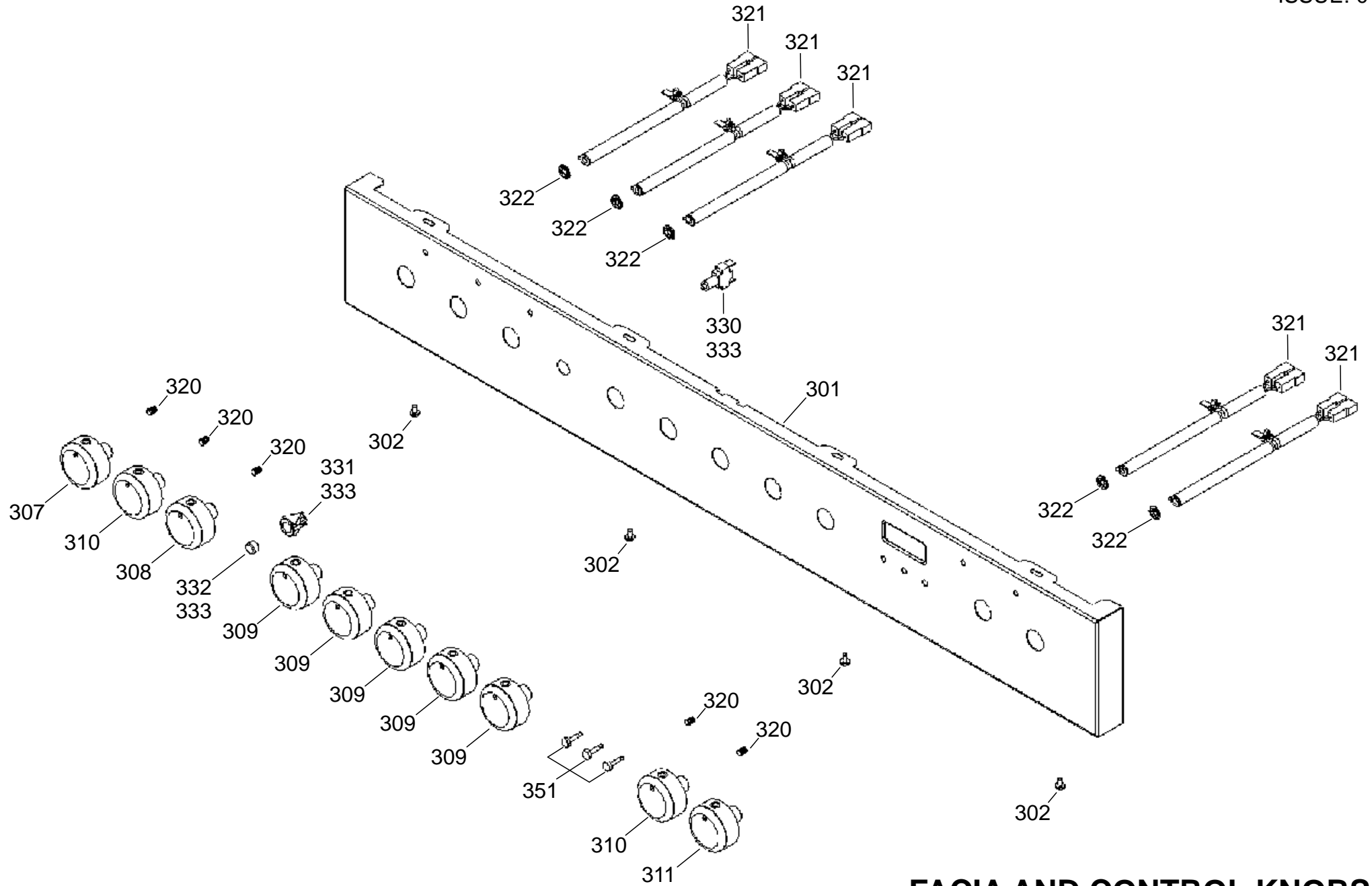
DATE:18.09.2019

DSL0821 P02

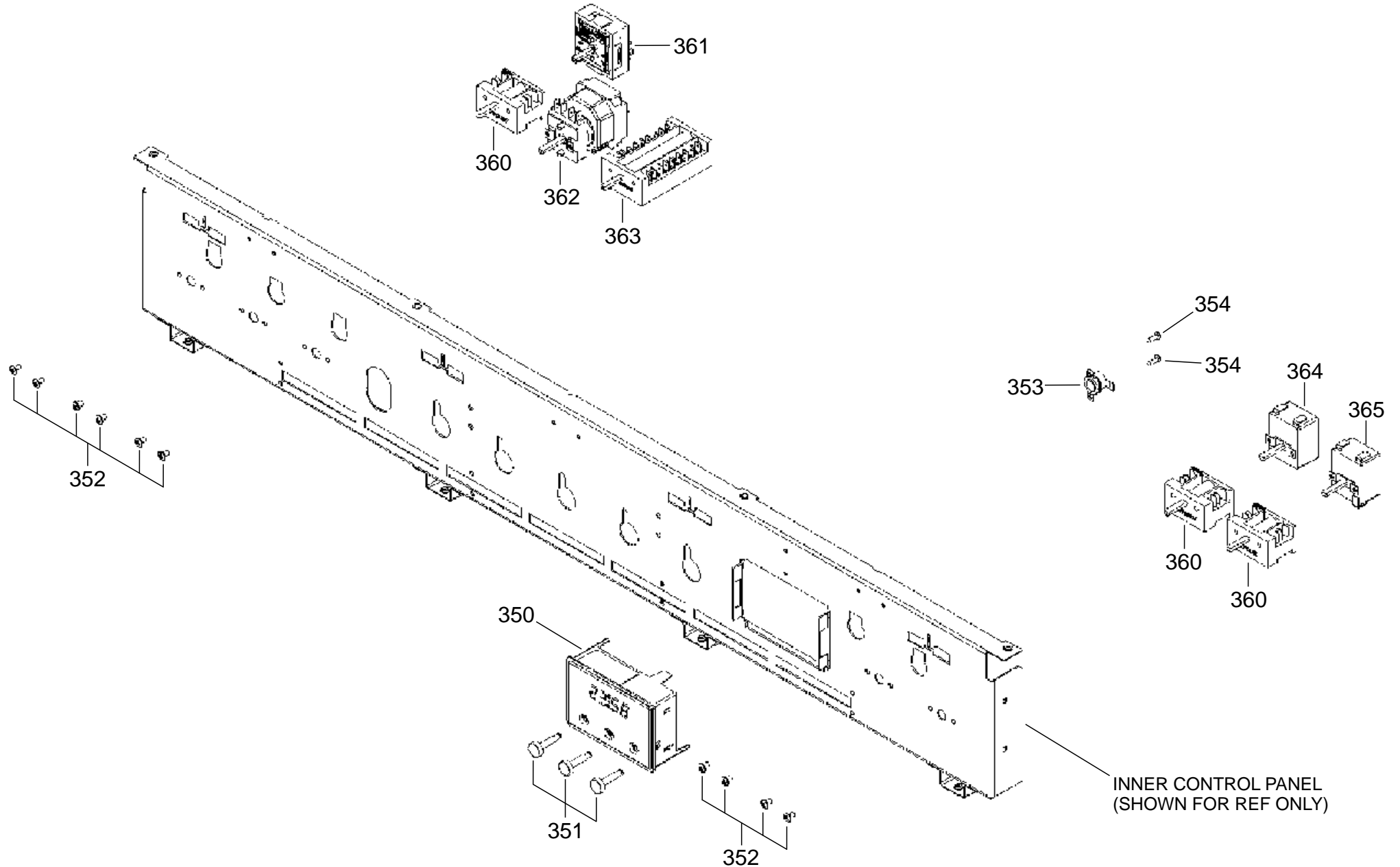
ISSUE: 01



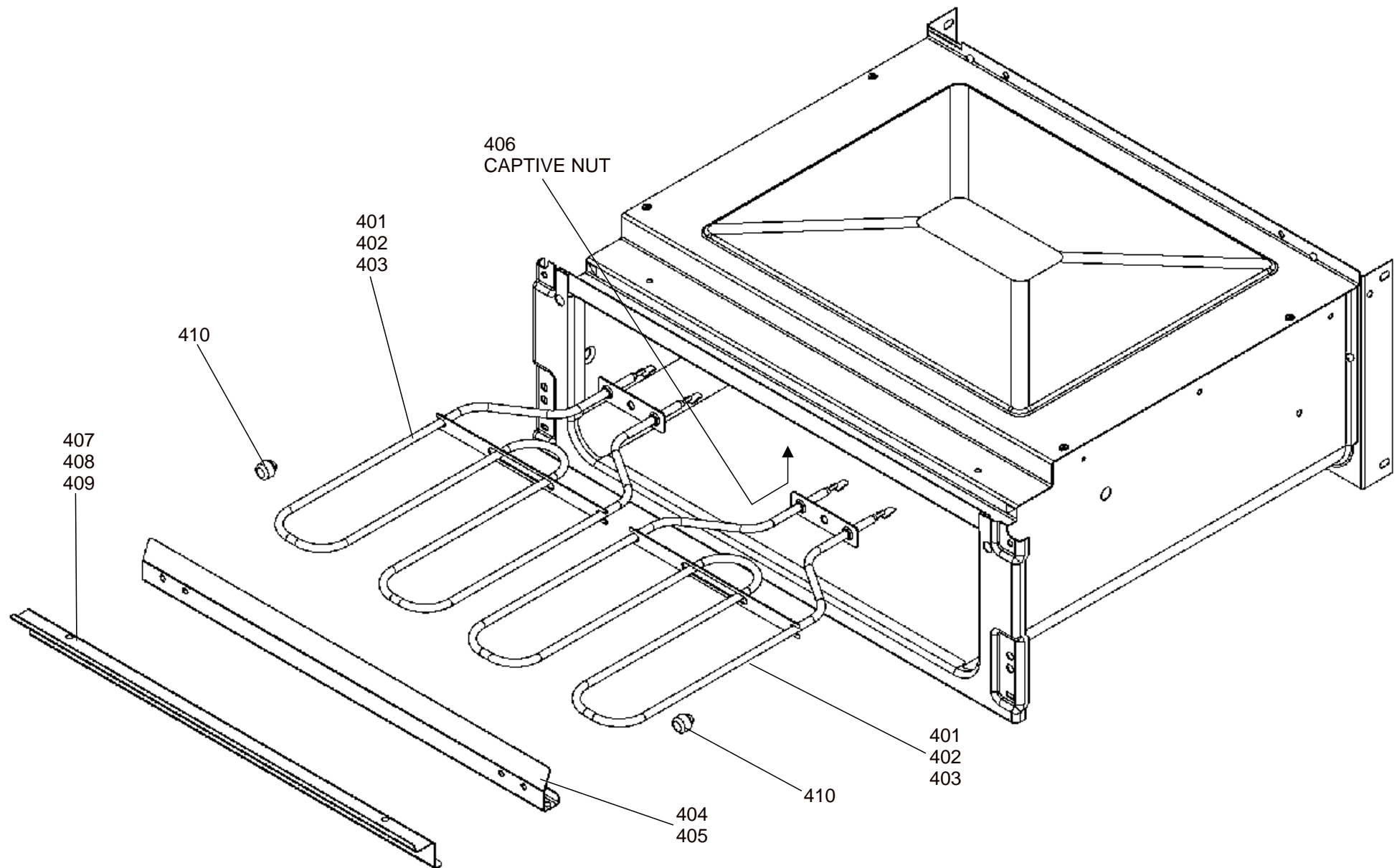
GAS RAIL



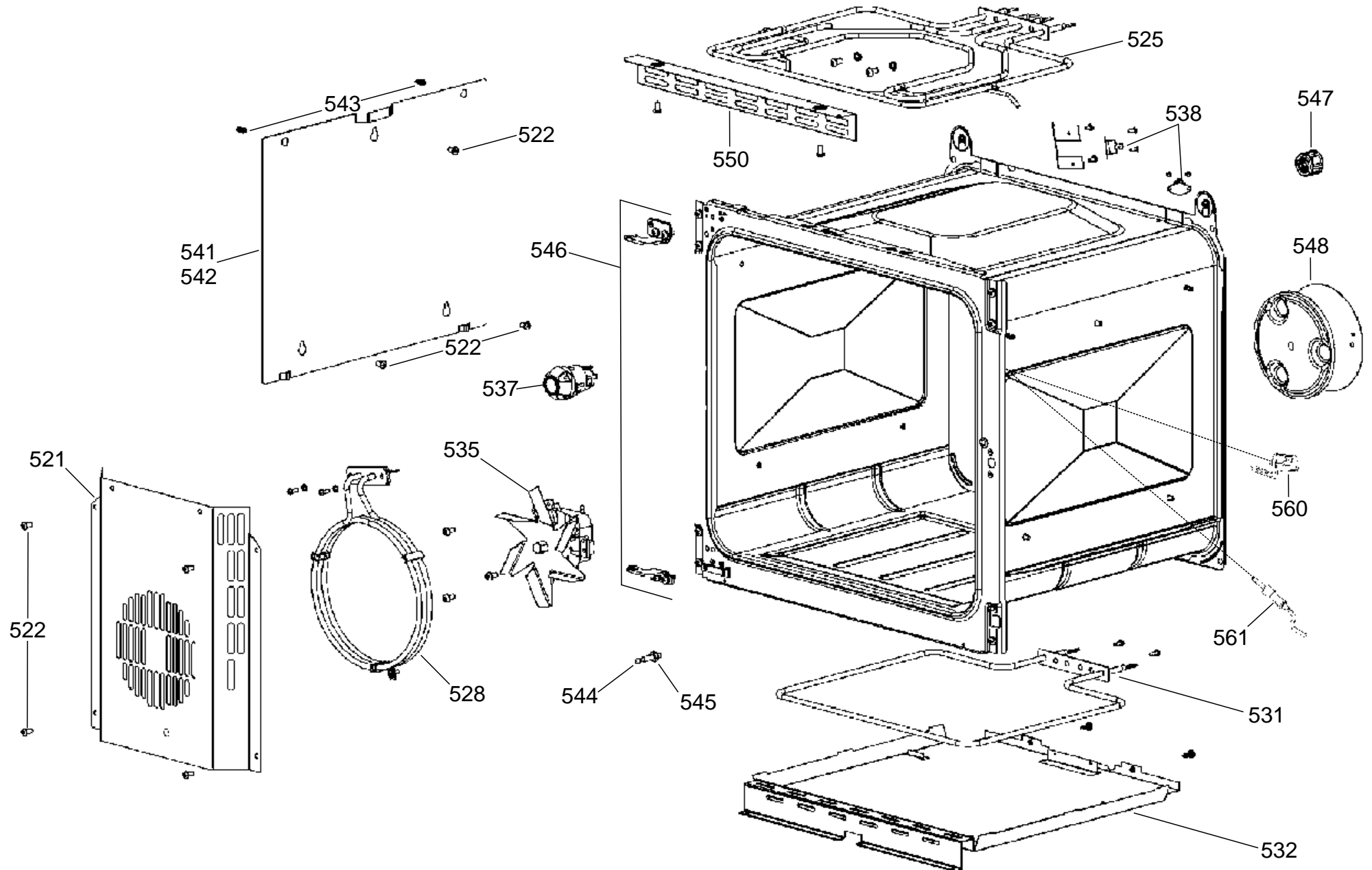
FACIA AND CONTROL KNOBS



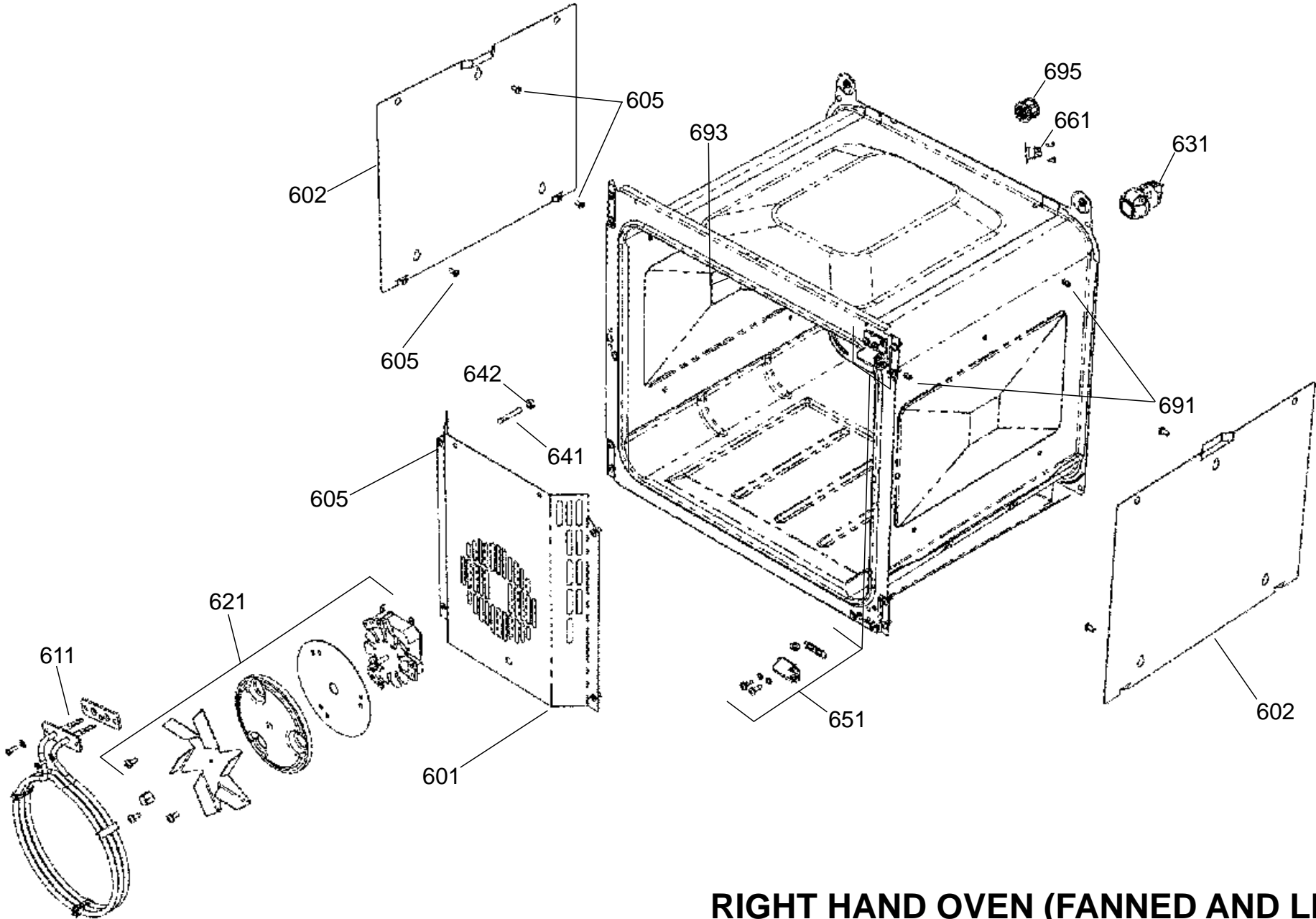
CONTROL ASSEMBLY



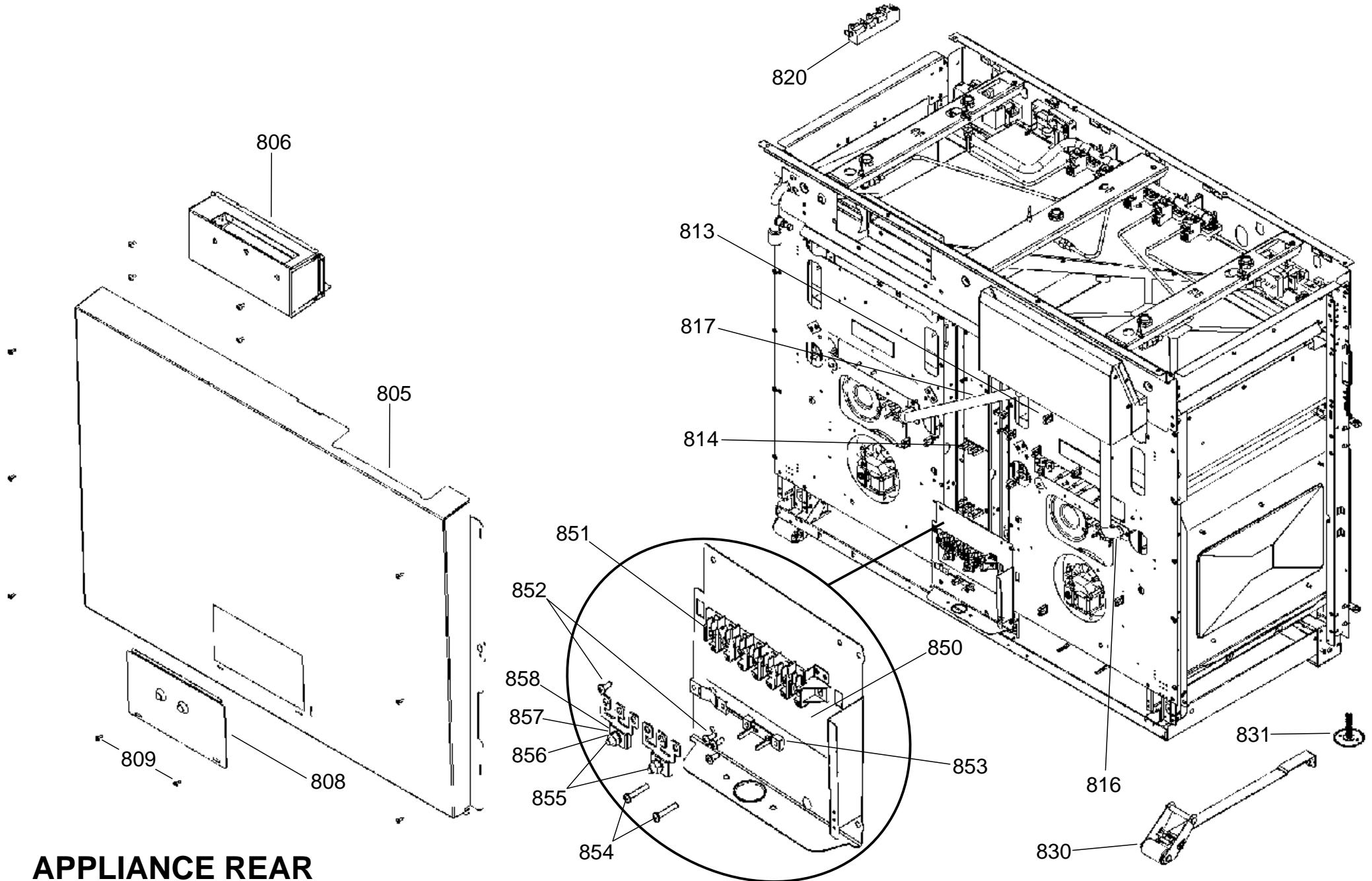
GRILL CHAMBER



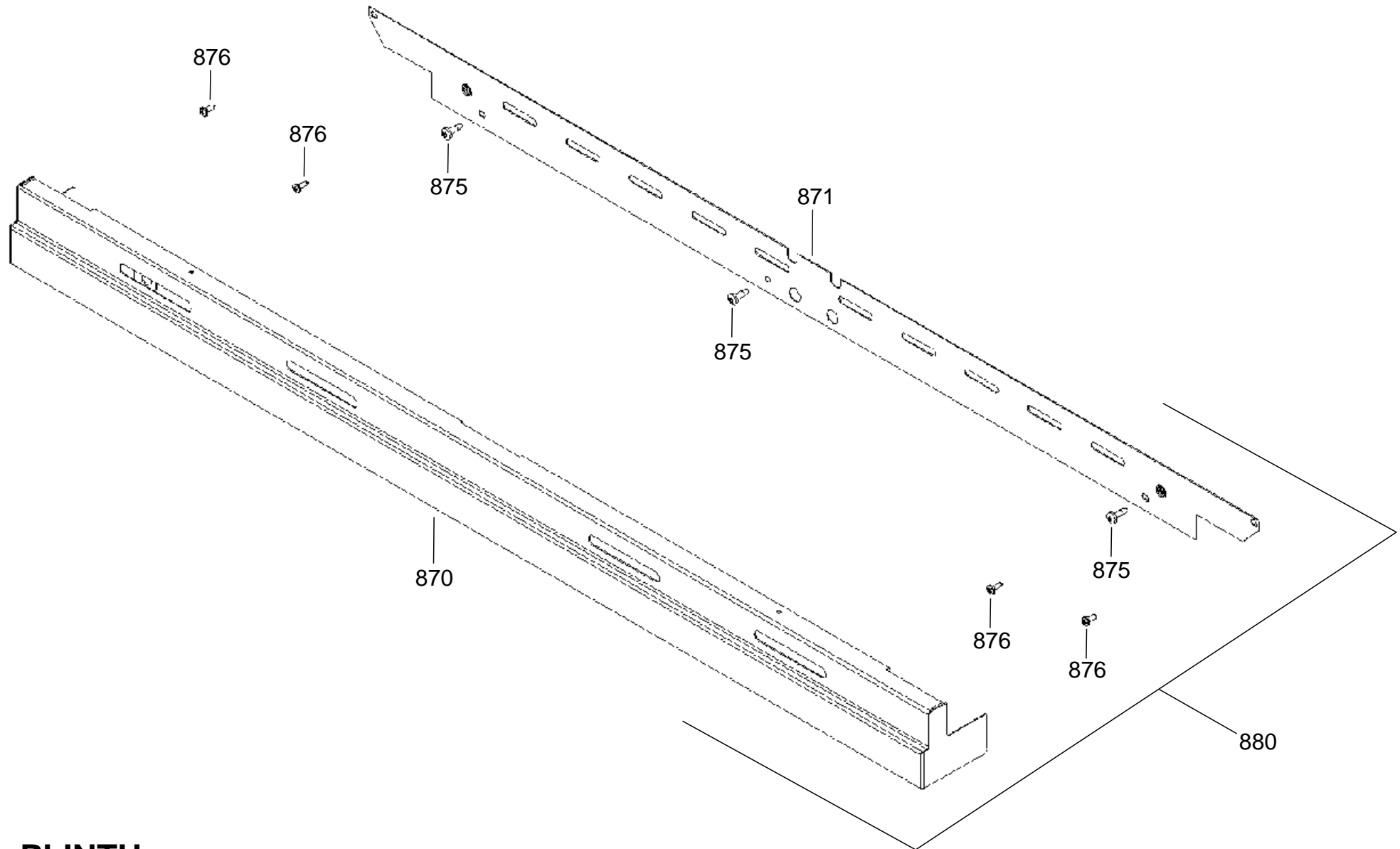
LH OVEN (MULTI-FUNCTION AND LIGHT AND MEAT PROBE)



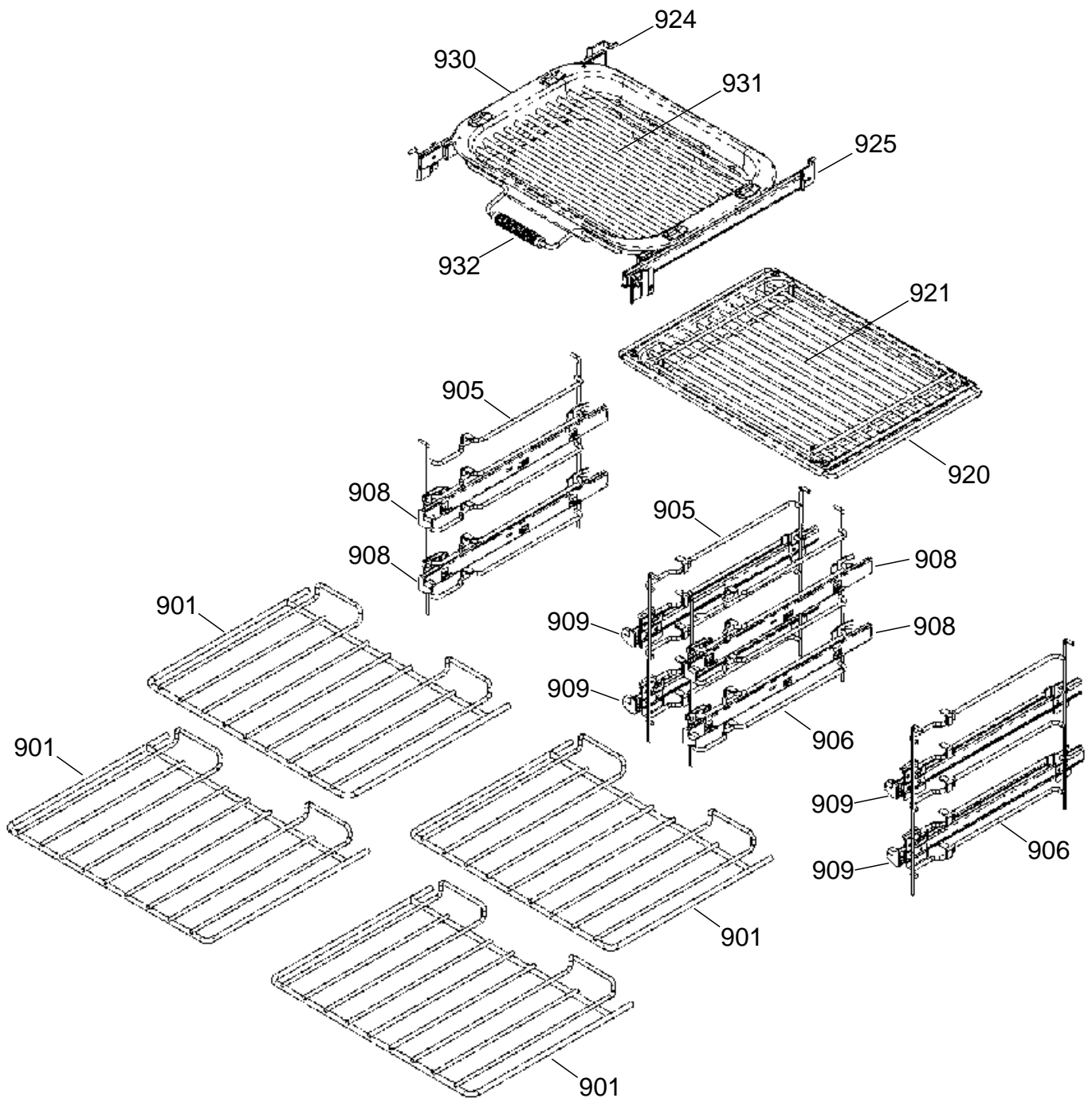
RIGHT HAND OVEN (FANNED AND LIGHT)

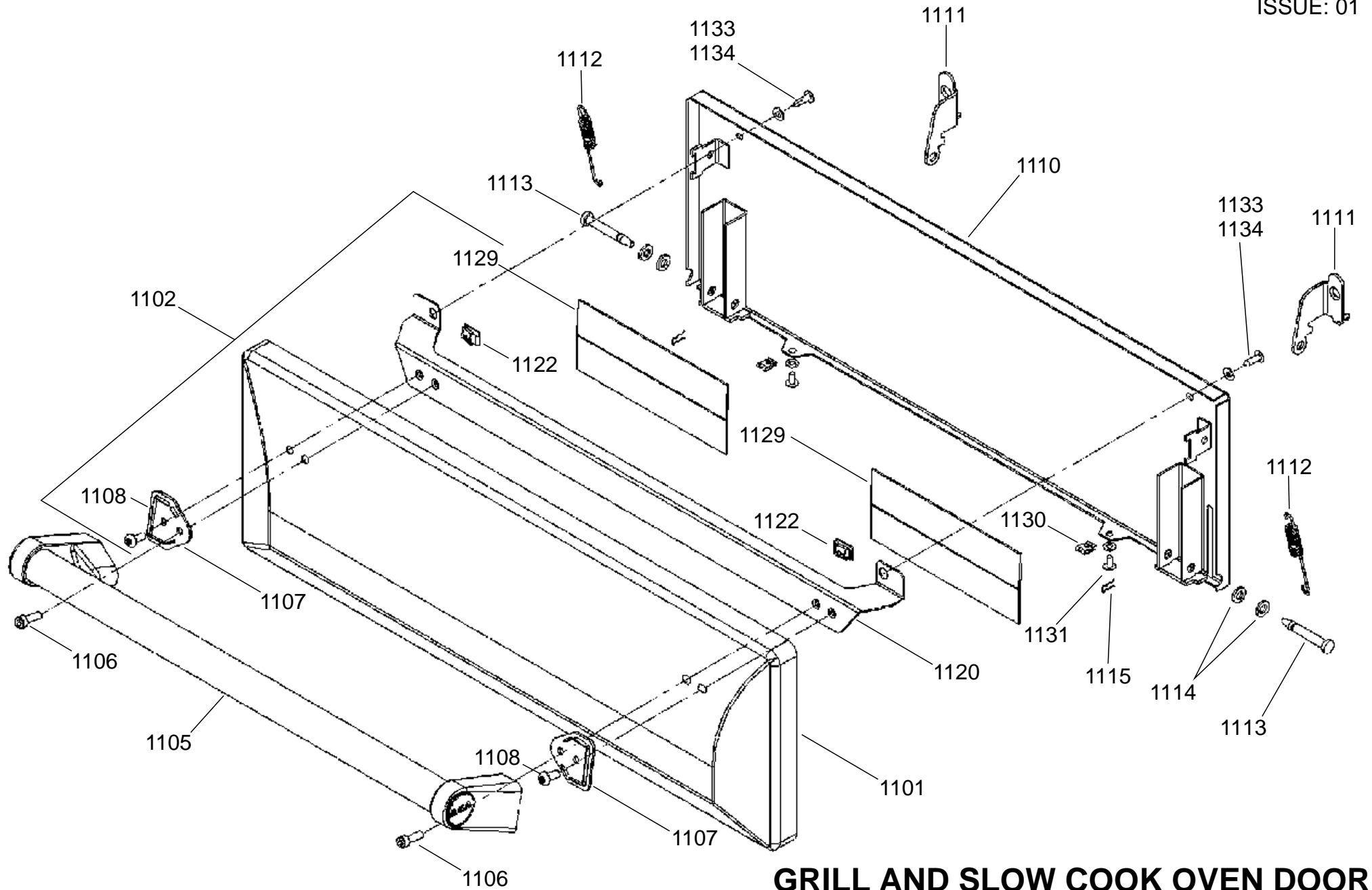


APPLIANCE REAR

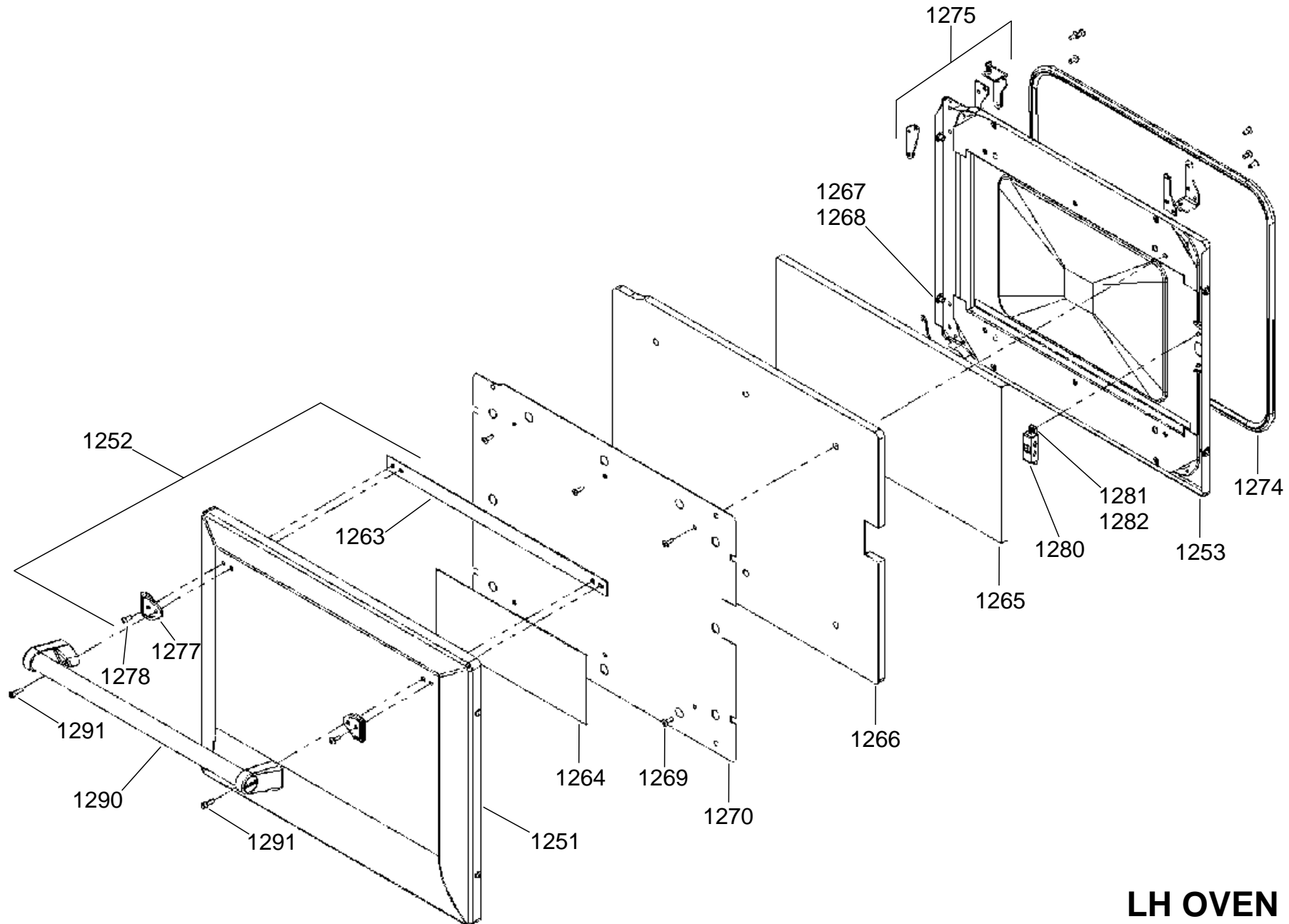


PLINTH

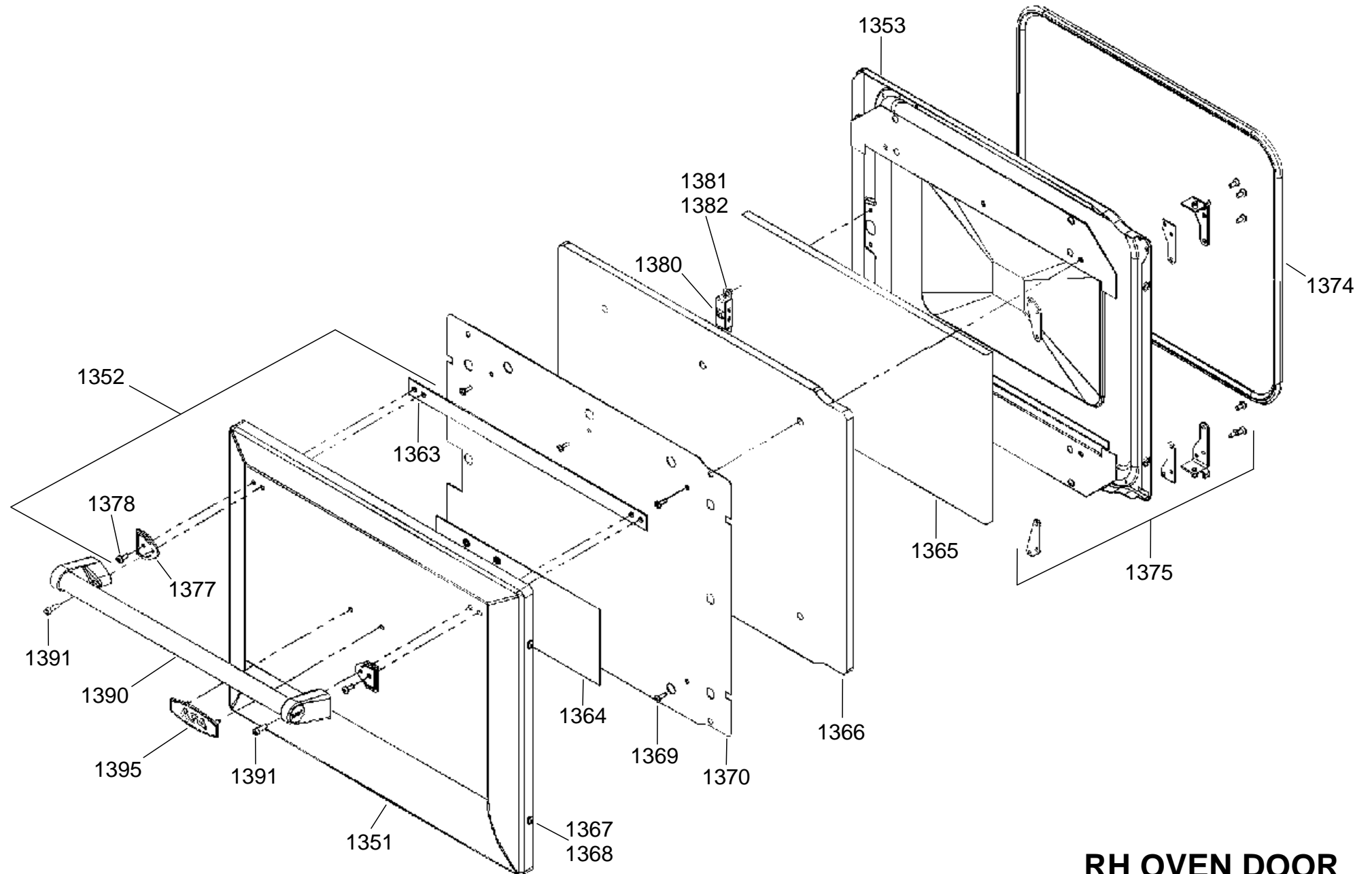




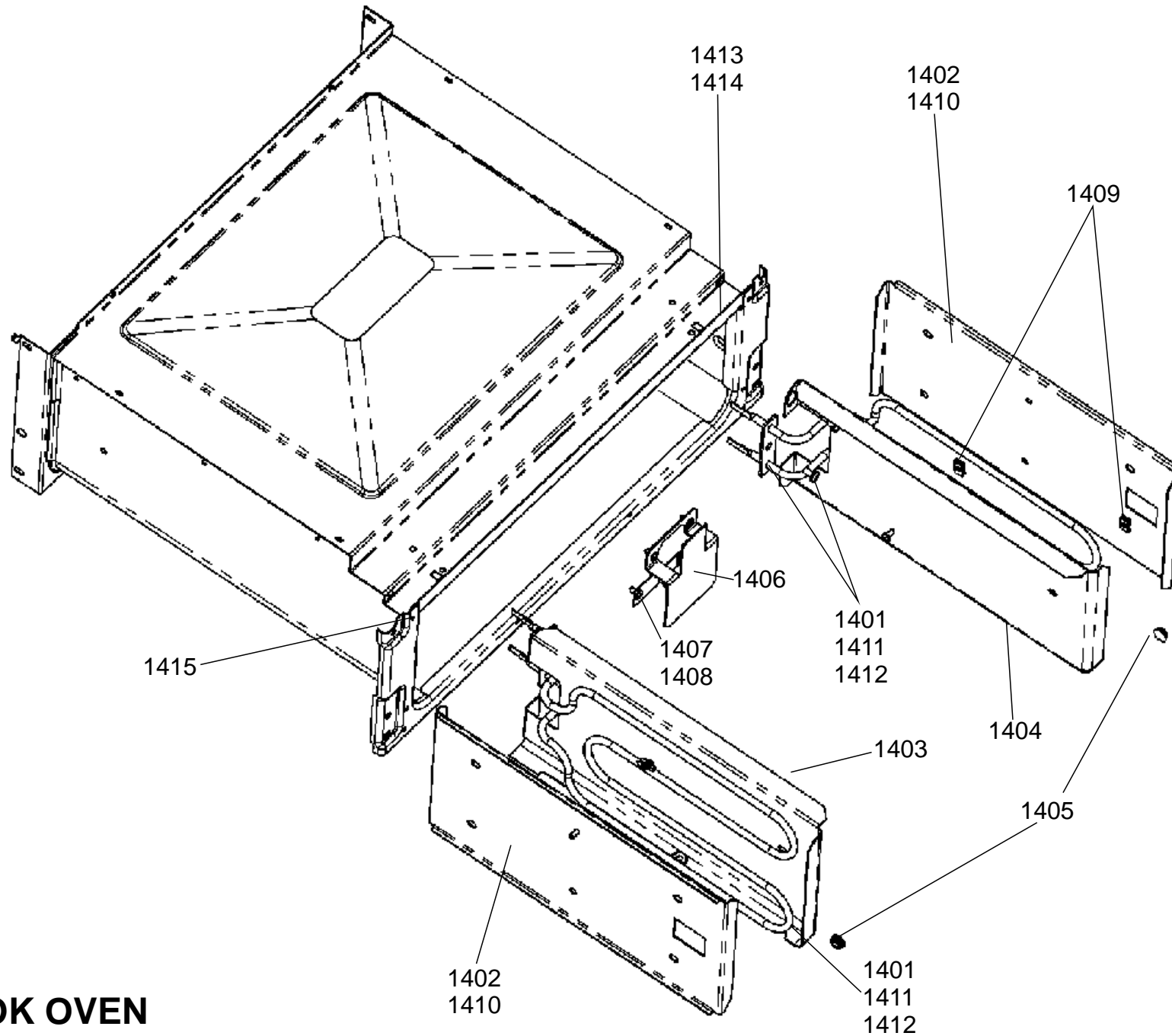
GRILL AND SLOW COOK OVEN DOOR



LH OVEN DOOR



RH OVEN DOOR



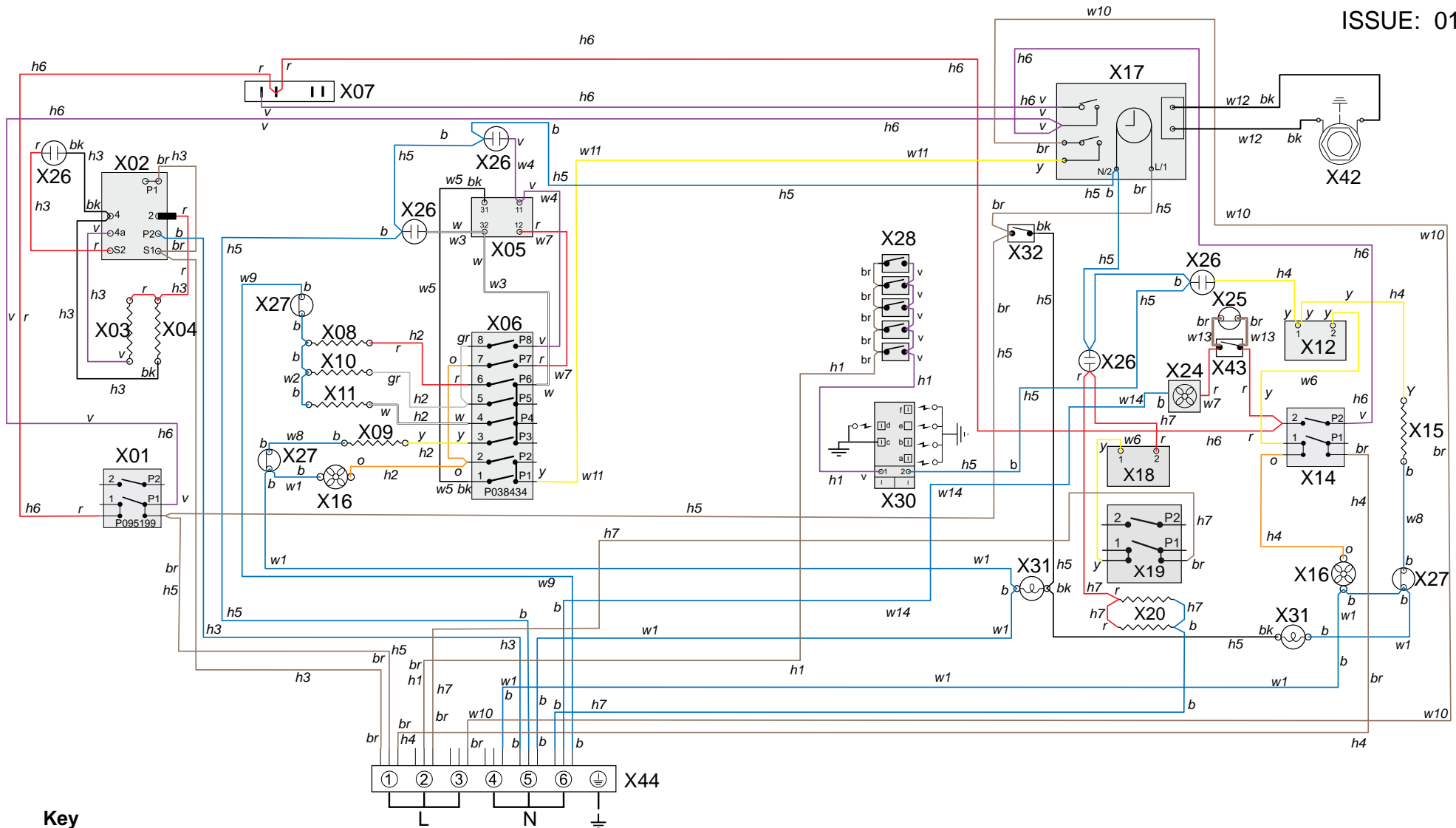
SLOW COOK OVEN

AGA MASTERCHEF DELUXE 110 DUAL FUEL EU

DATE: 18.09.2019

DSL0821 P15

ISSUE: 01



Key

Code	Description	Code	Description	Code	Description
X01	Grill Front Switch	X11	Left Hand Oven Top Inner Element	X25	Cooling Fan Thermal Preset
X02	Grill Energy Regulator	X12	Right Hand Oven Thermostat	X26	Neons
X03	Left Hand Grill Element	X14	Right Hand Oven Front Switch	X27	Thermal Cut-Outs
X04	Right Hand Grill Element	X15	Right Hand Oven Fan Element	X28	Ignition Switches
X05	Left Hand Oven Thermostat	X16	Oven Fans	X30	Spark Generator
X06	Left Hand Oven Multifunction Switch	X17	Clock / Timer	X31	Oven Lights
X07	Left Hand Oven Front Switch	X18	Slow Cook Oven Thermostat	X32	Oven Light Switch
X08	Left Hand Oven Base Element	X19	Slow Cook Oven Front Switch	X42	Meat Probe Socket
X09	Left Hand Oven Fan Element	X20	Slow Cook Oven Element	X43	Cooling Fan Test Switch
X10	Left Hand Oven Top Outer Element	X24	Cooling Fan	X44	Mains Terminal Block

Code	Colour
b	Blue
br	Brown
bk	Black
or	Orange
r	Red
v	Violet
w	White
y	Yellow
g / y	Green / Yellow
gr	Grey

The connections shown in the circuit diagram are for single phase.

The ratings are for 230V 50Hz.

Component positions shown are viewed from the front of the cooker.

WIRING DIAGRAM