

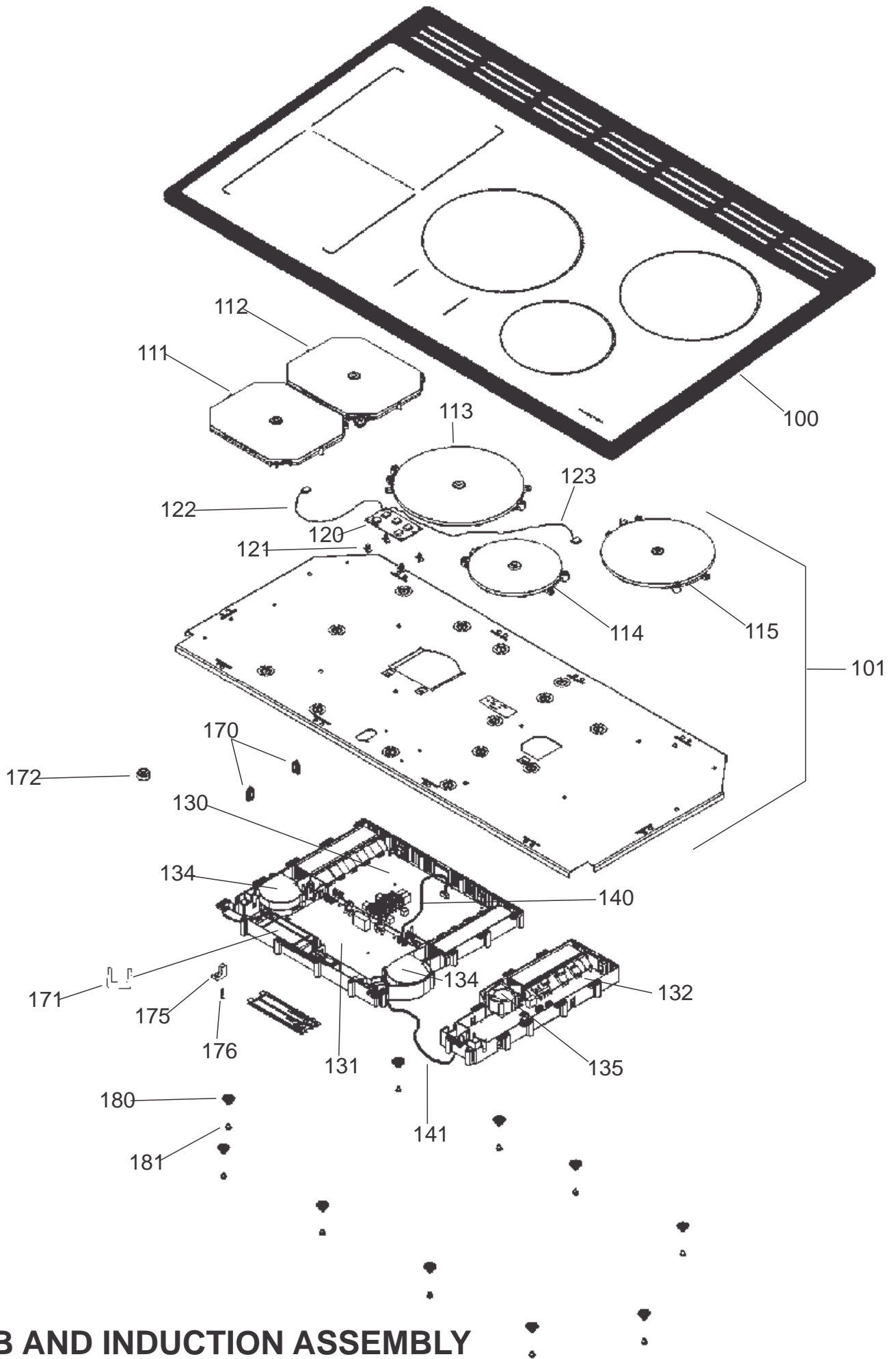
**AGA MASTERCHEF DELUXE
90 INDUCTION**

DATE:03.09.2019

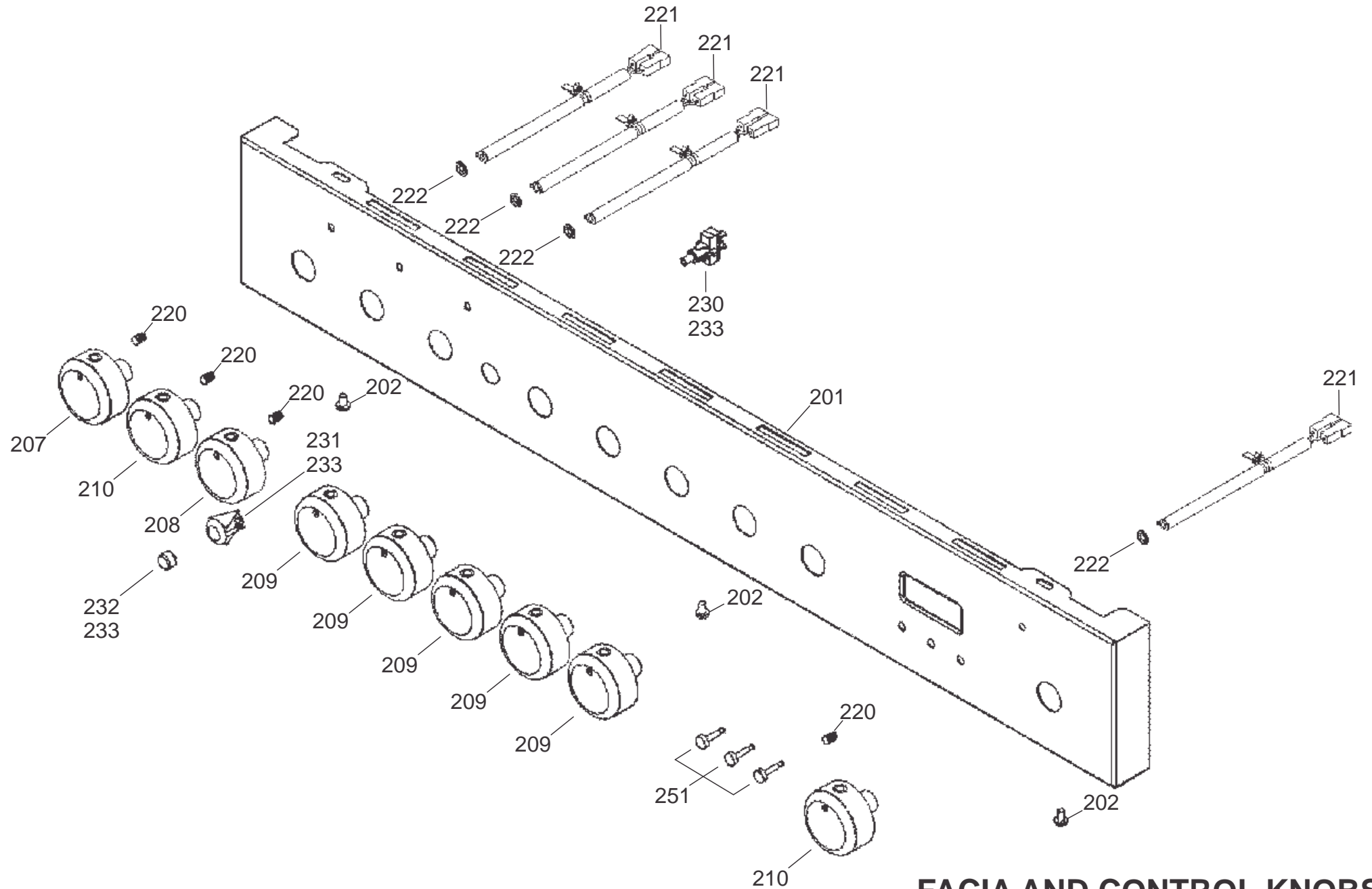
DSL0805 P00

ISSUE: 01

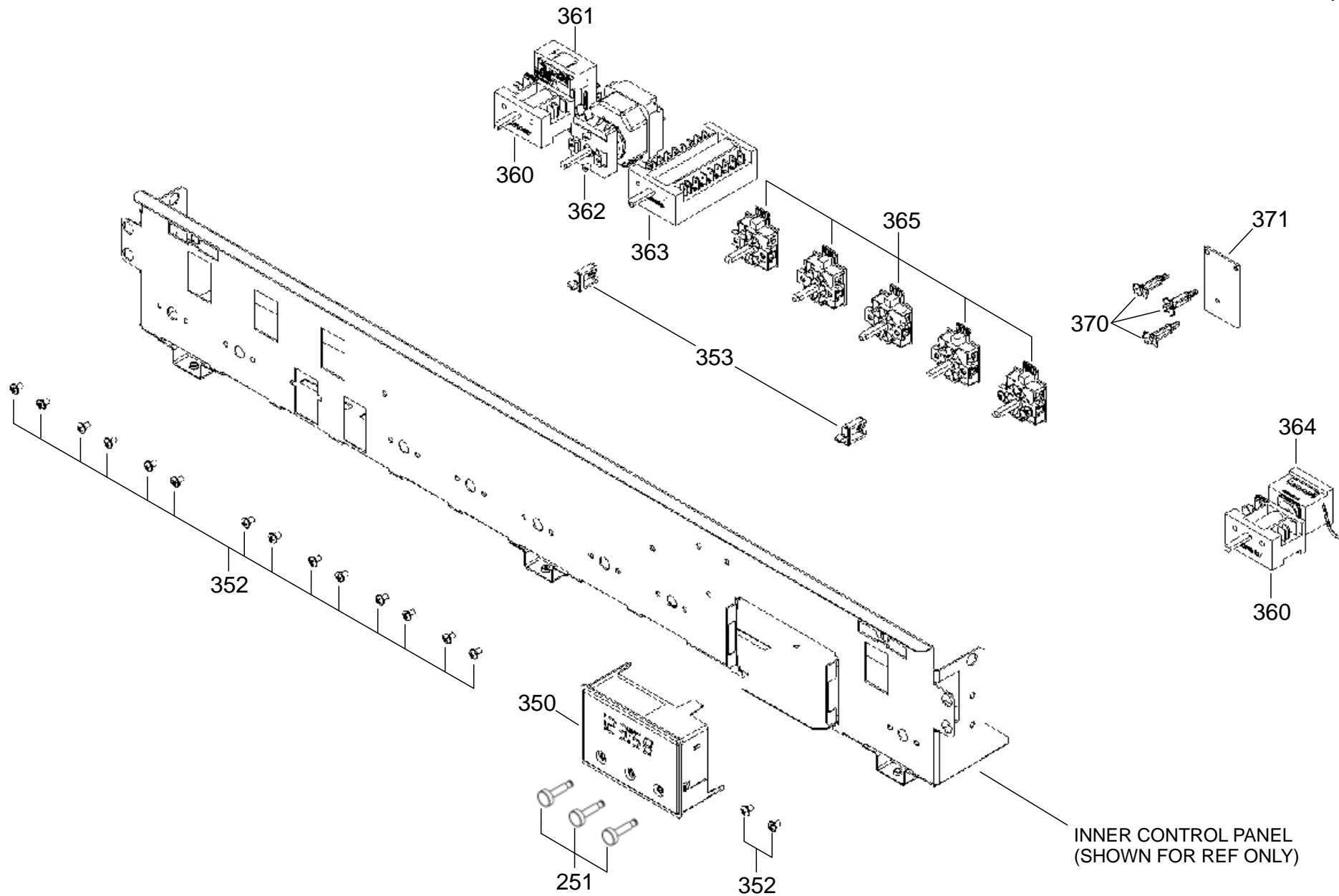




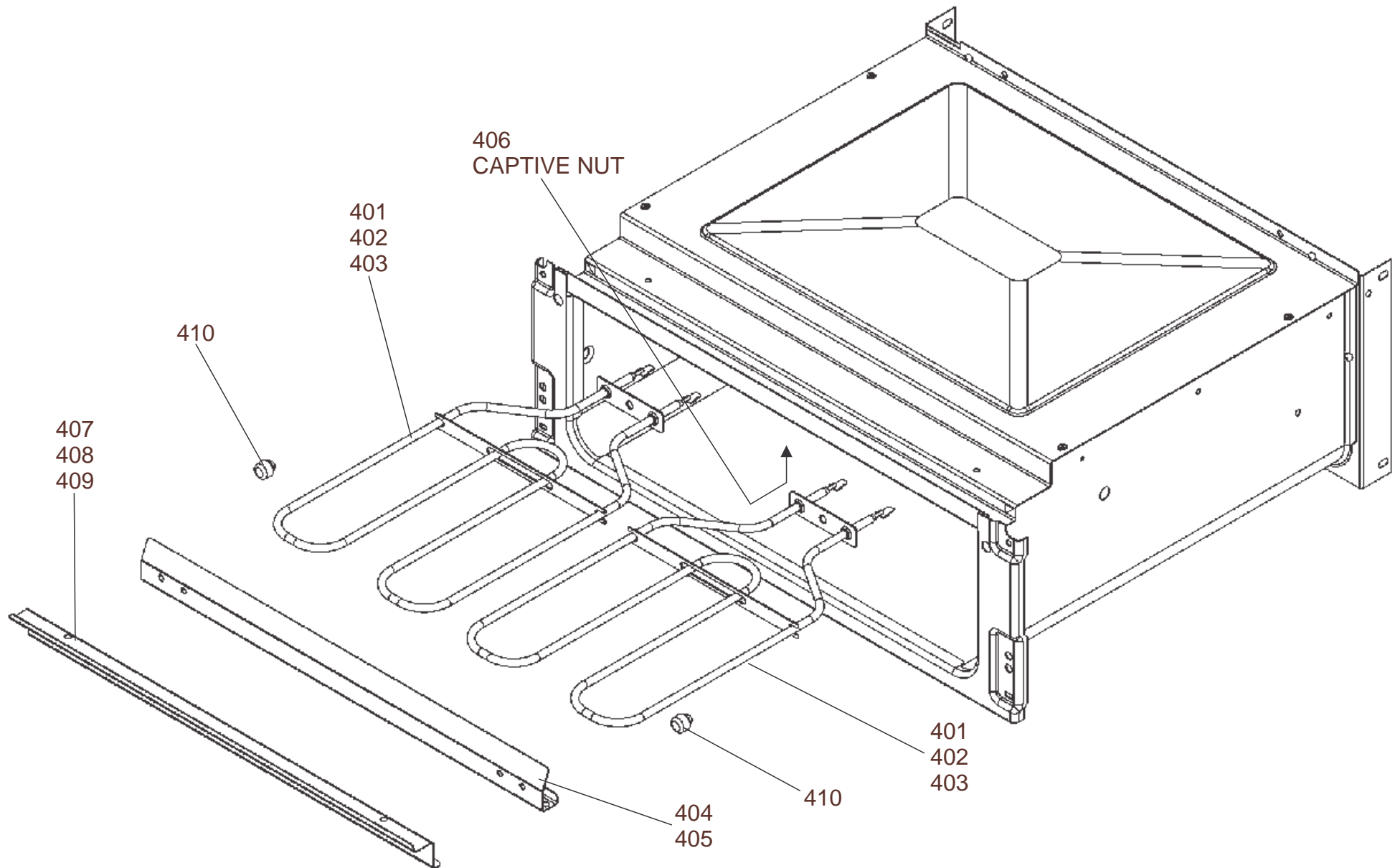
HOB AND INDUCTION ASSEMBLY



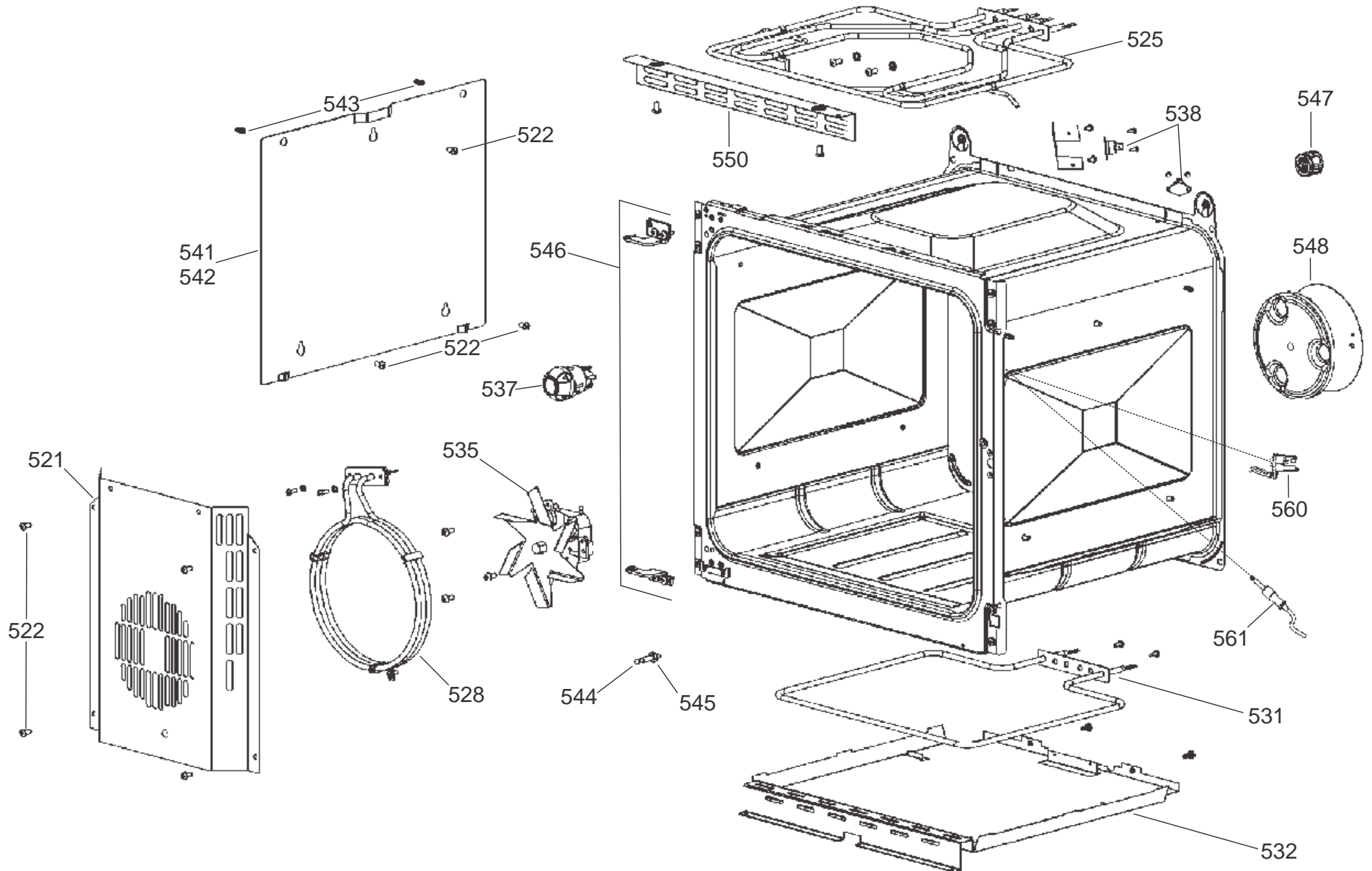
FACIA AND CONTROL KNOBS



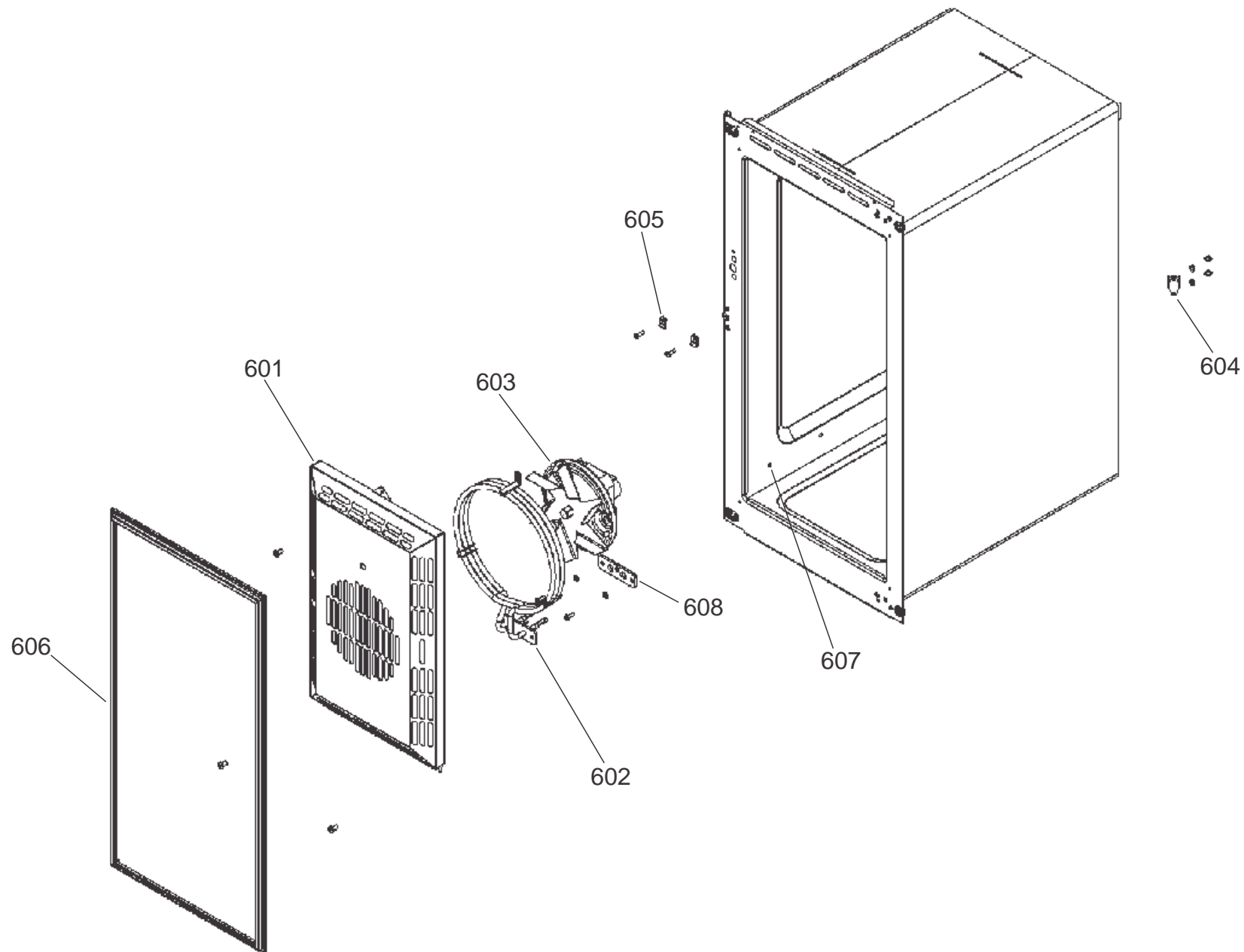
CONTROL ASSEMBLY

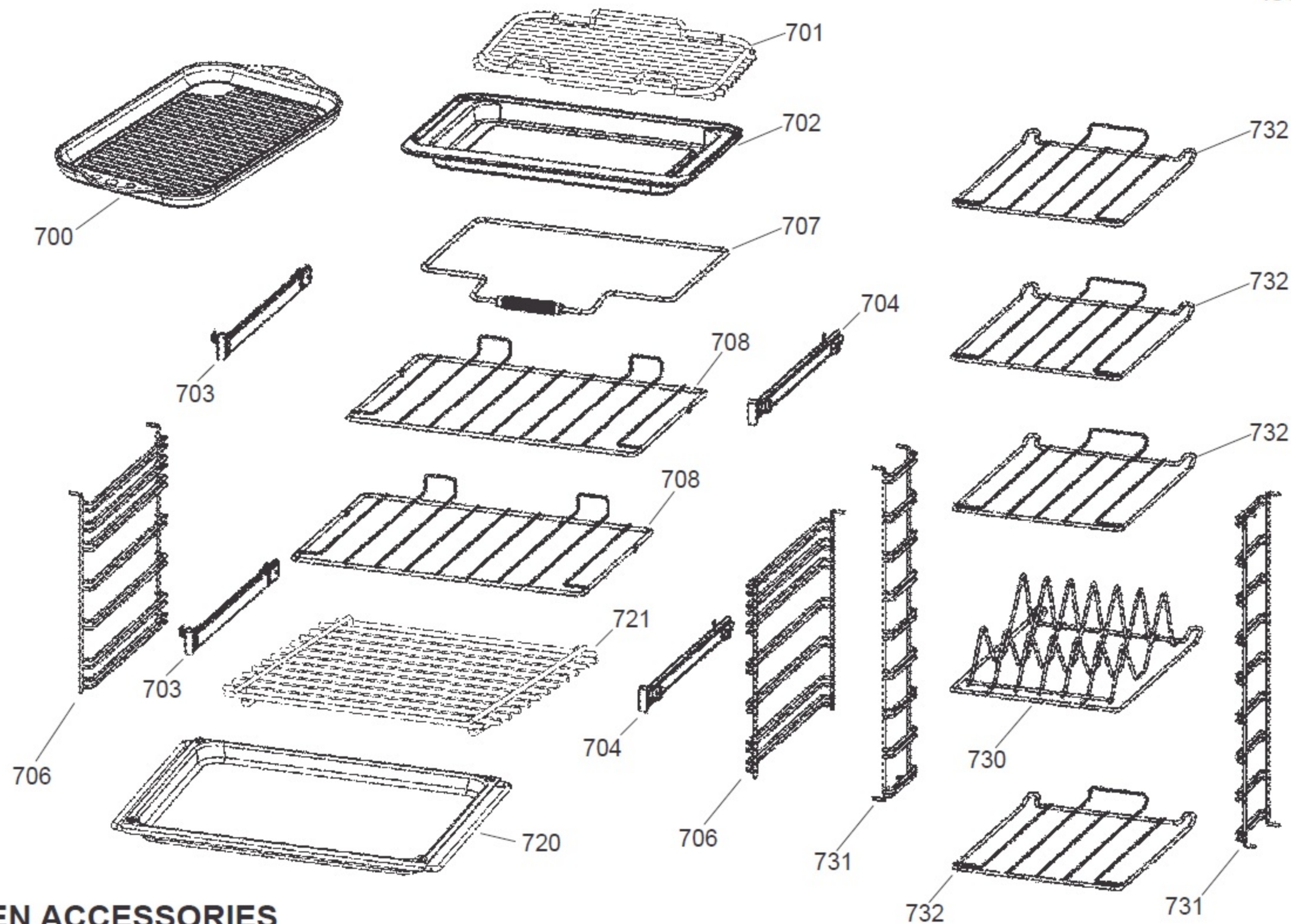


GRILL CHAMBER

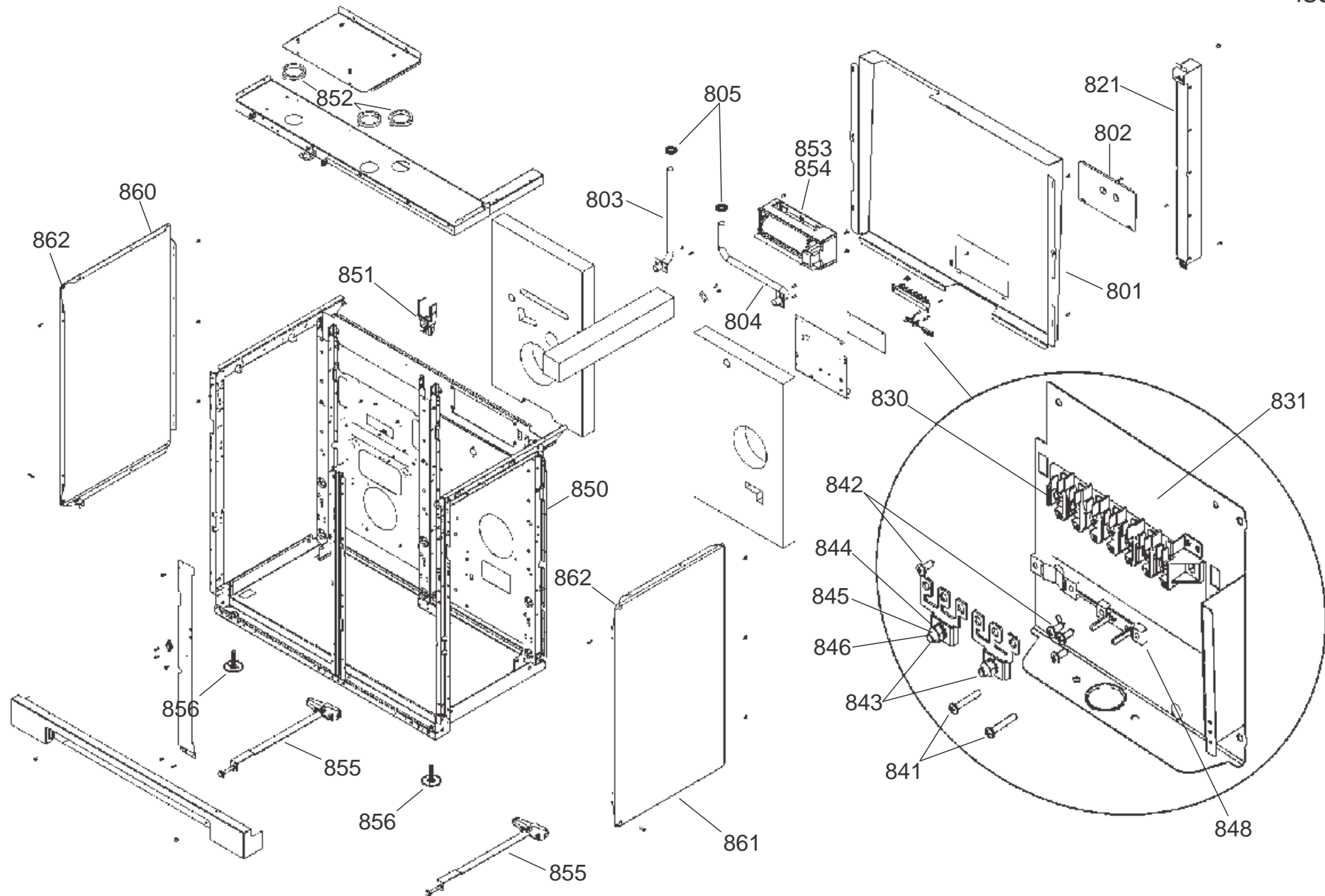


LH OVEN (MULTI-FUNCTION AND LIGHT AND MEAT PROBE)

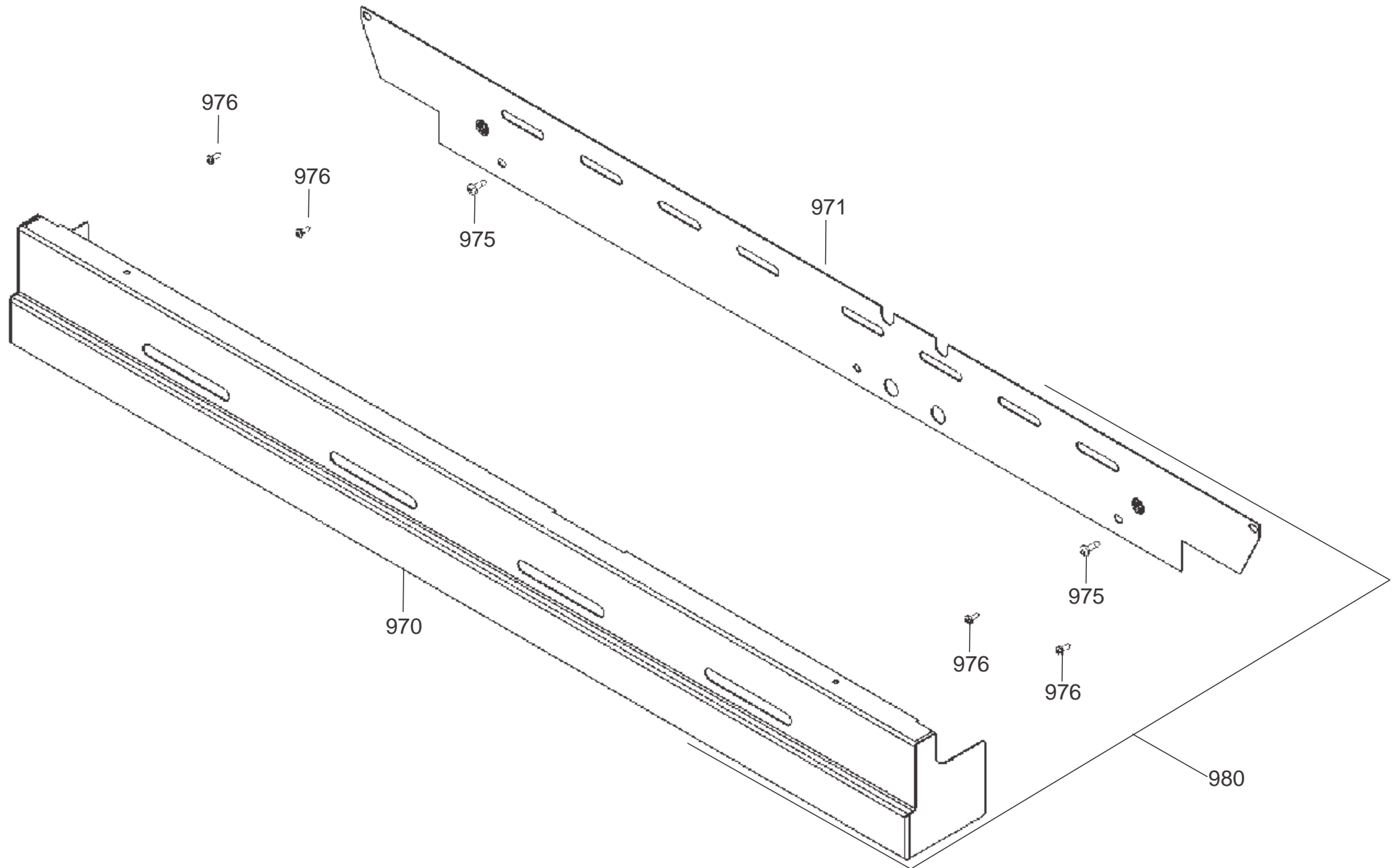




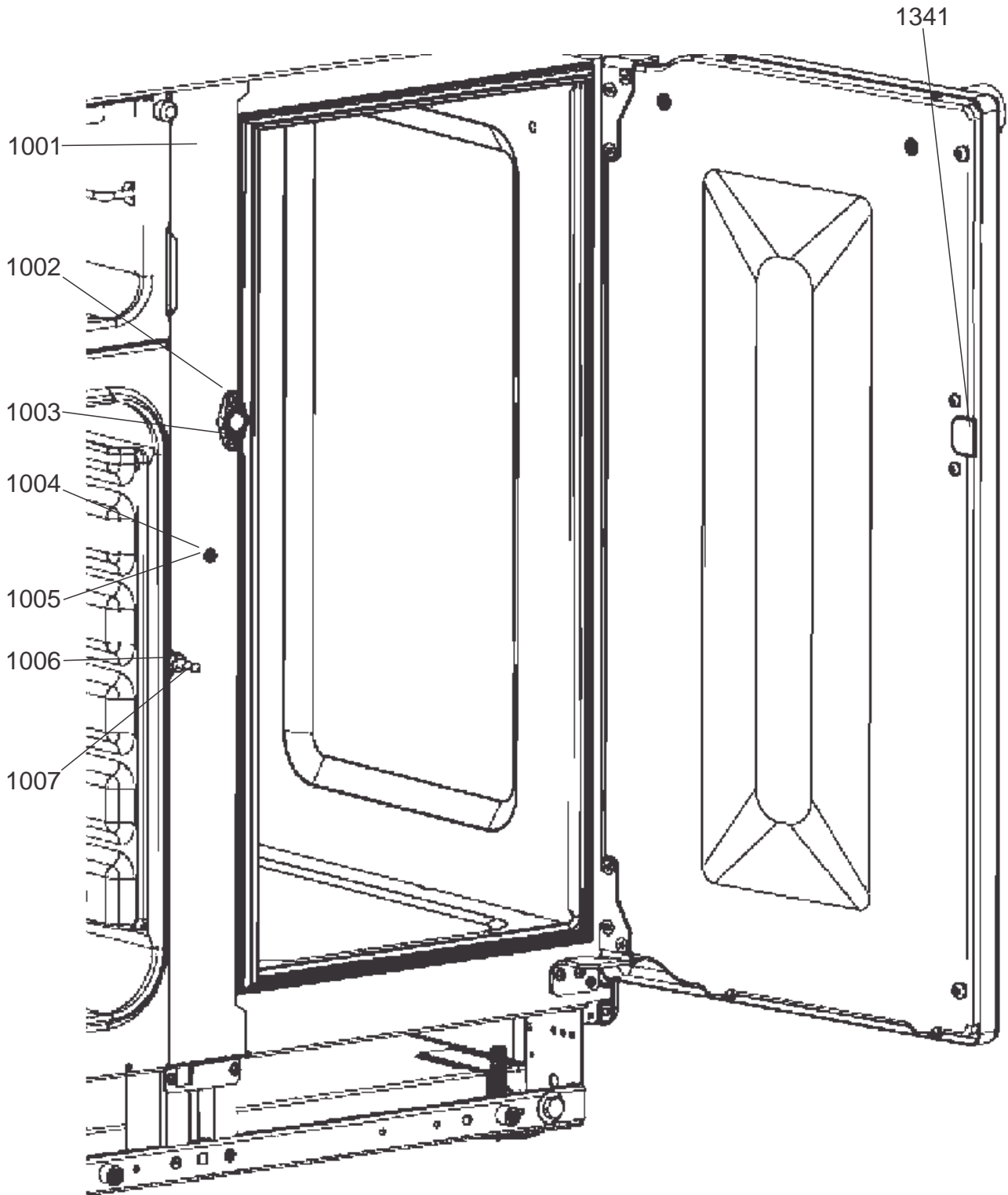
OVEN ACCESSORIES



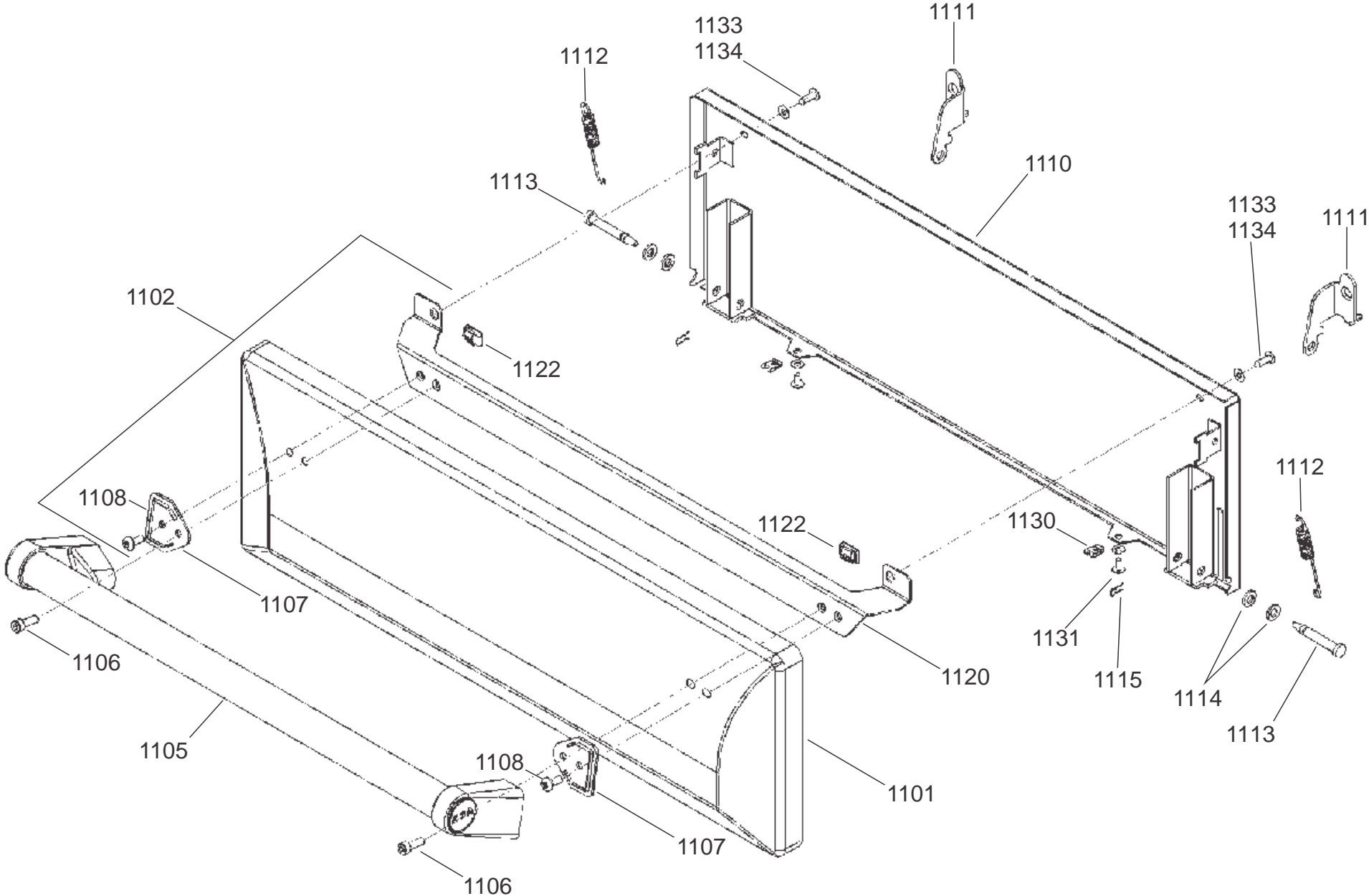
APPLIANCE REAR



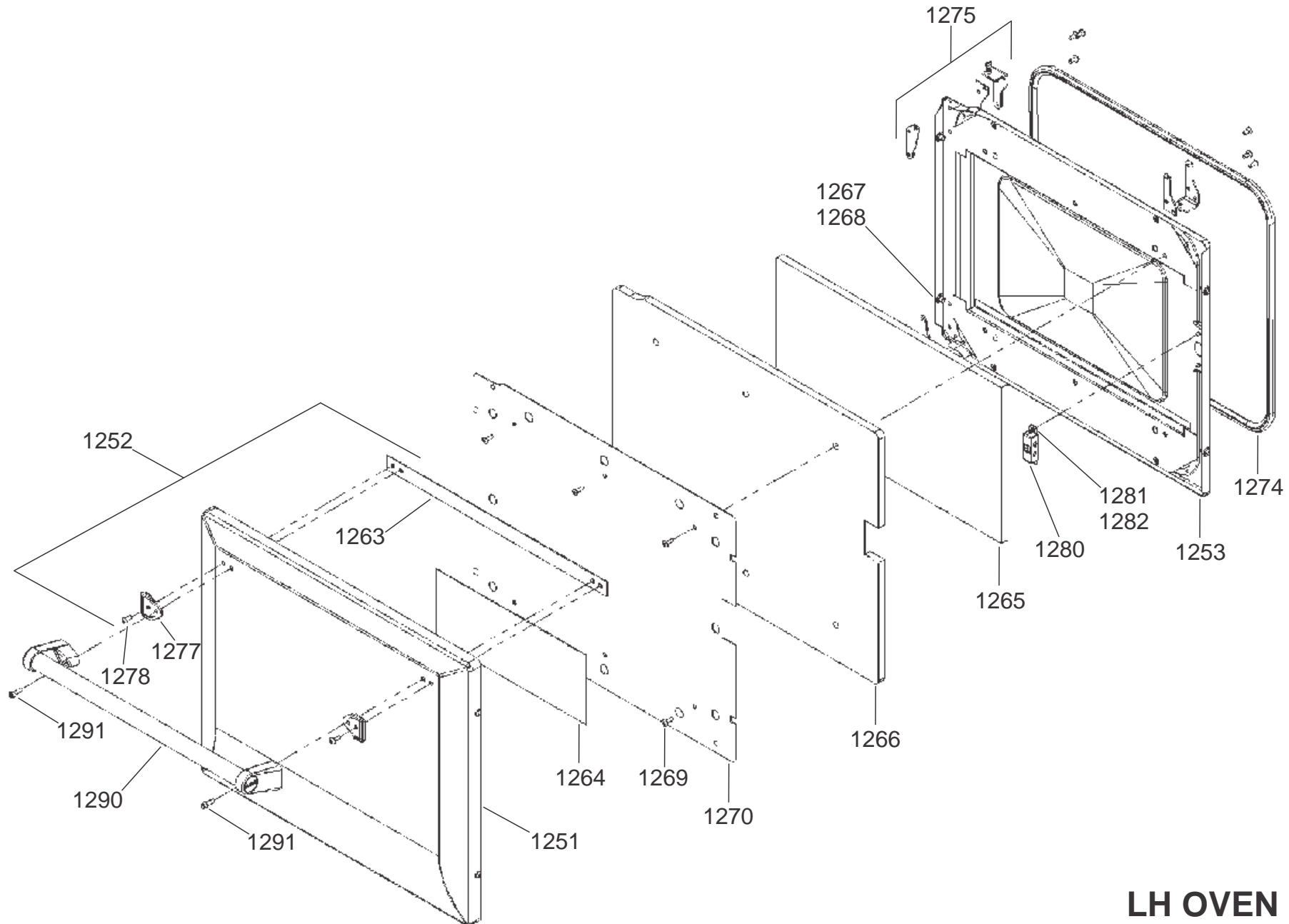
PLINTH



CHASSIS ASSEMBLY



GRILL DOOR



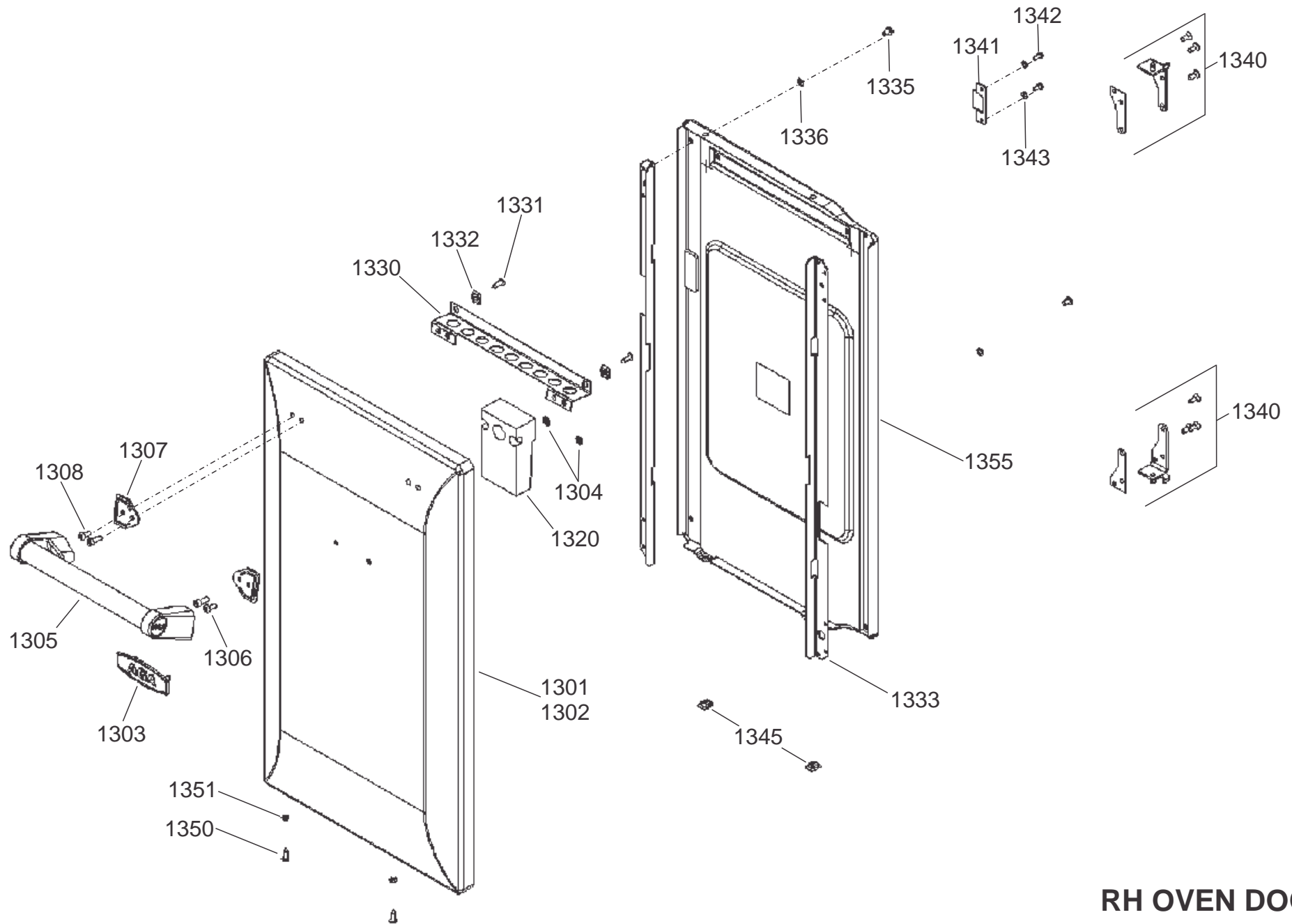
LH OVEN DOOR

AGA MASTERCHEF DELUXE 90 INDUCTION

DATE:03.09.2019

DSL0805 P13

ISSUE: 01



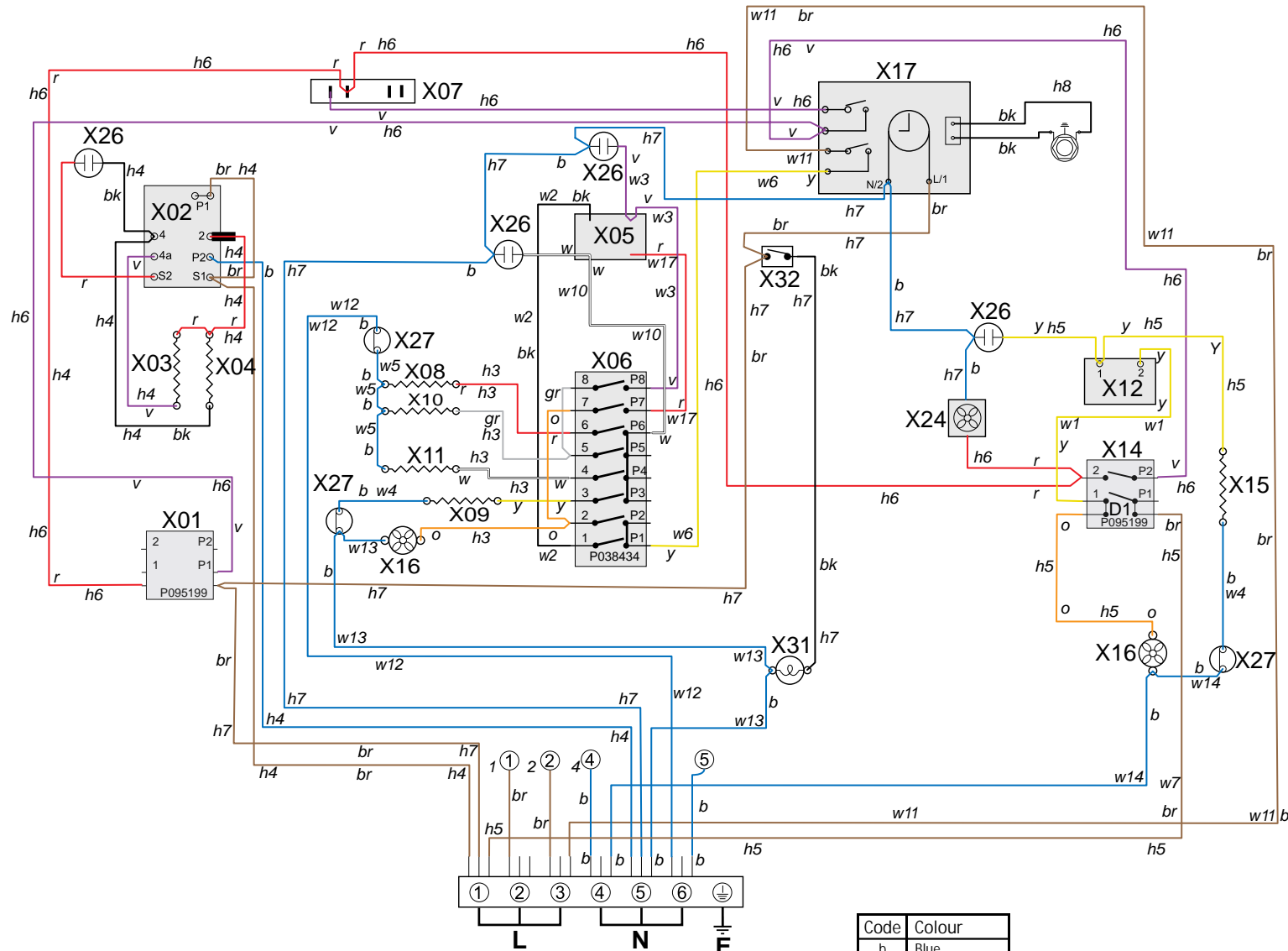
RH OVEN DOOR

AGA MASTERCHEF DELUXE 90 INDUCTION

DATE: 03.09.2019

DSL0805 P15

ISSUE: 01



Key

Code	Description	Code	Description	Code	Description
X01	Grill Front Switch	X09	Left Hand Oven Fan Element	X24	Cooling Fan
X02	Grill Energy Regulator	X10	Left Hand Oven Top Outer Element	X26	Neons
X03	Left Hand Grill Element	X11	Left Hand Oven Top Inner Element	X27	Thermal Cut-Outs
X04	Right Hand Grill Element	X12	Right Hand Oven Thermostat	X31	Oven Lights
X05	Left Hand Oven Thermostat	X14	Right Hand Oven Front Switch	X32	Oven Light Switch
X06	Left Hand Oven Multifunction Switch	X15	Right Hand Oven Fan Element	X42	Meat Probe Socket
X07	Left Hand Oven Front Switch	X16	Oven Fans		
X08	Left Hand Oven Base Element	X17	Clock / Timer		

Code	Colour
b	Blue
br	Brown
bk	Black
or	Orange
r	Red
v	Violet
w	White
y	Yellow
g / y	Green / Yellow
gr	Grey

The connections shown in the circuit diagram are for single phase.

The ratings are for 230V 50Hz.

Component positions shown are viewed from the front of the cooker.

WIRING DIAGRAM