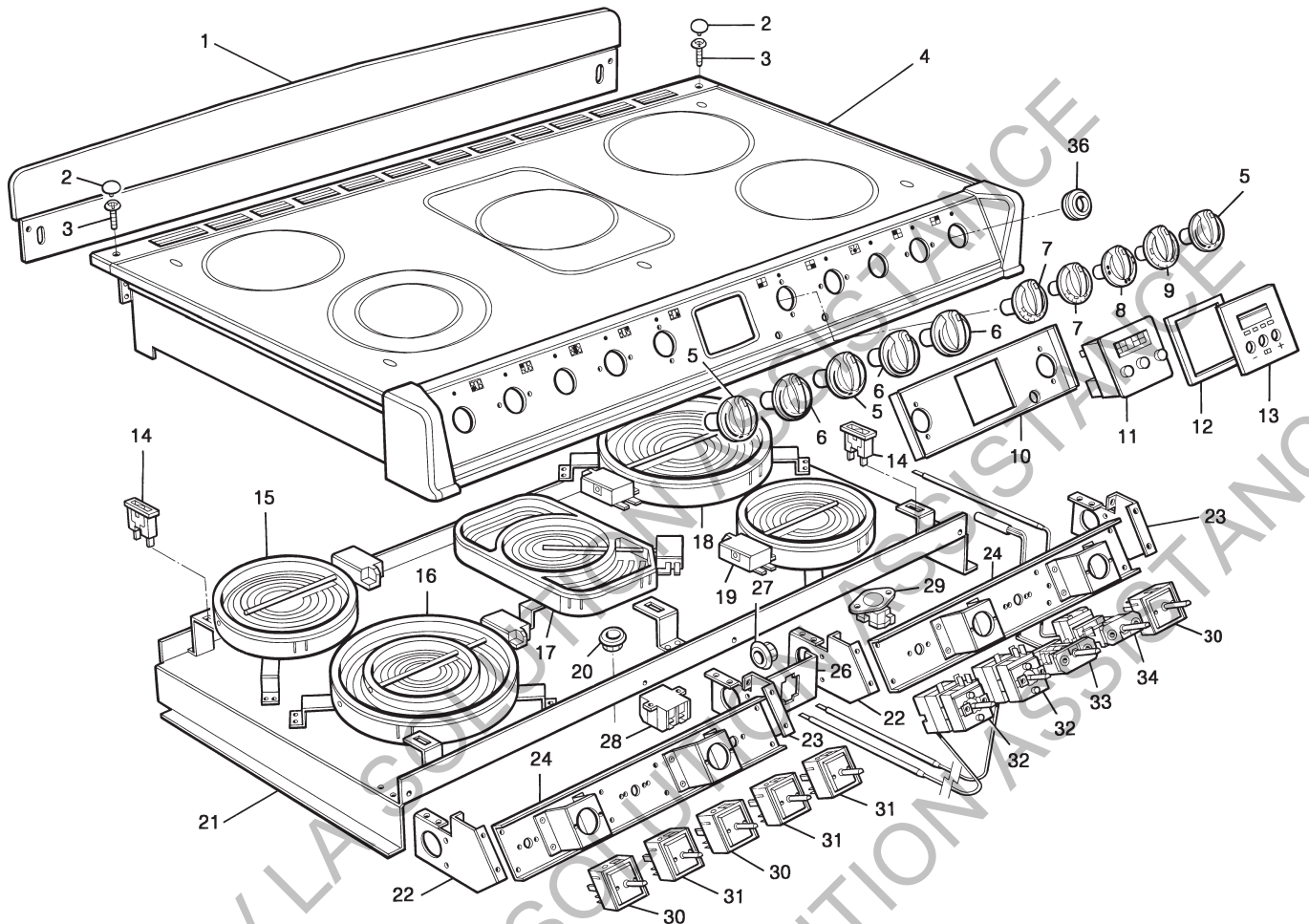


**AGA  
MASTERCHEF II  
CERAMIC HOB**

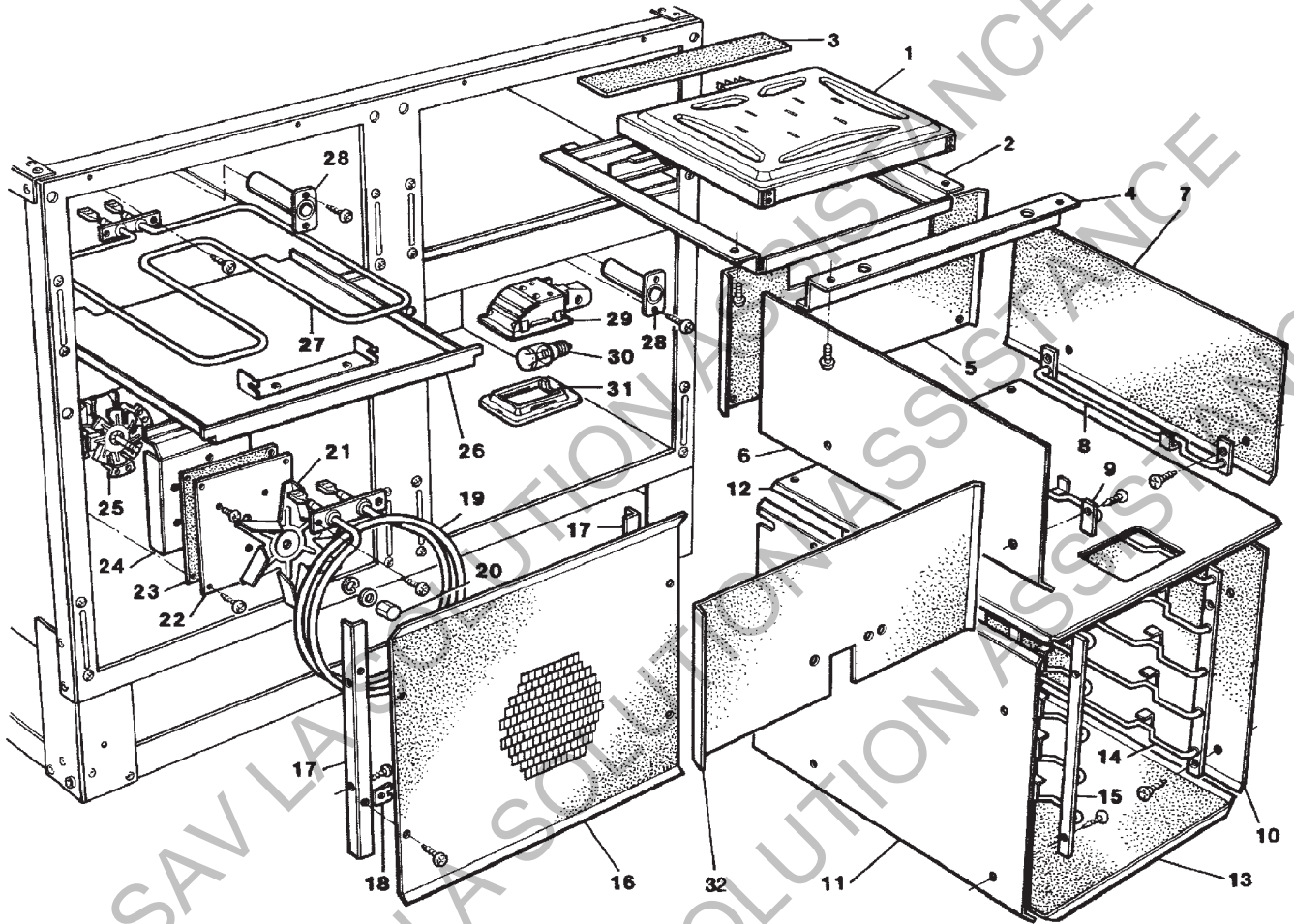
***SPARE PARTS  
MANUAL***

**LPRT 515279**

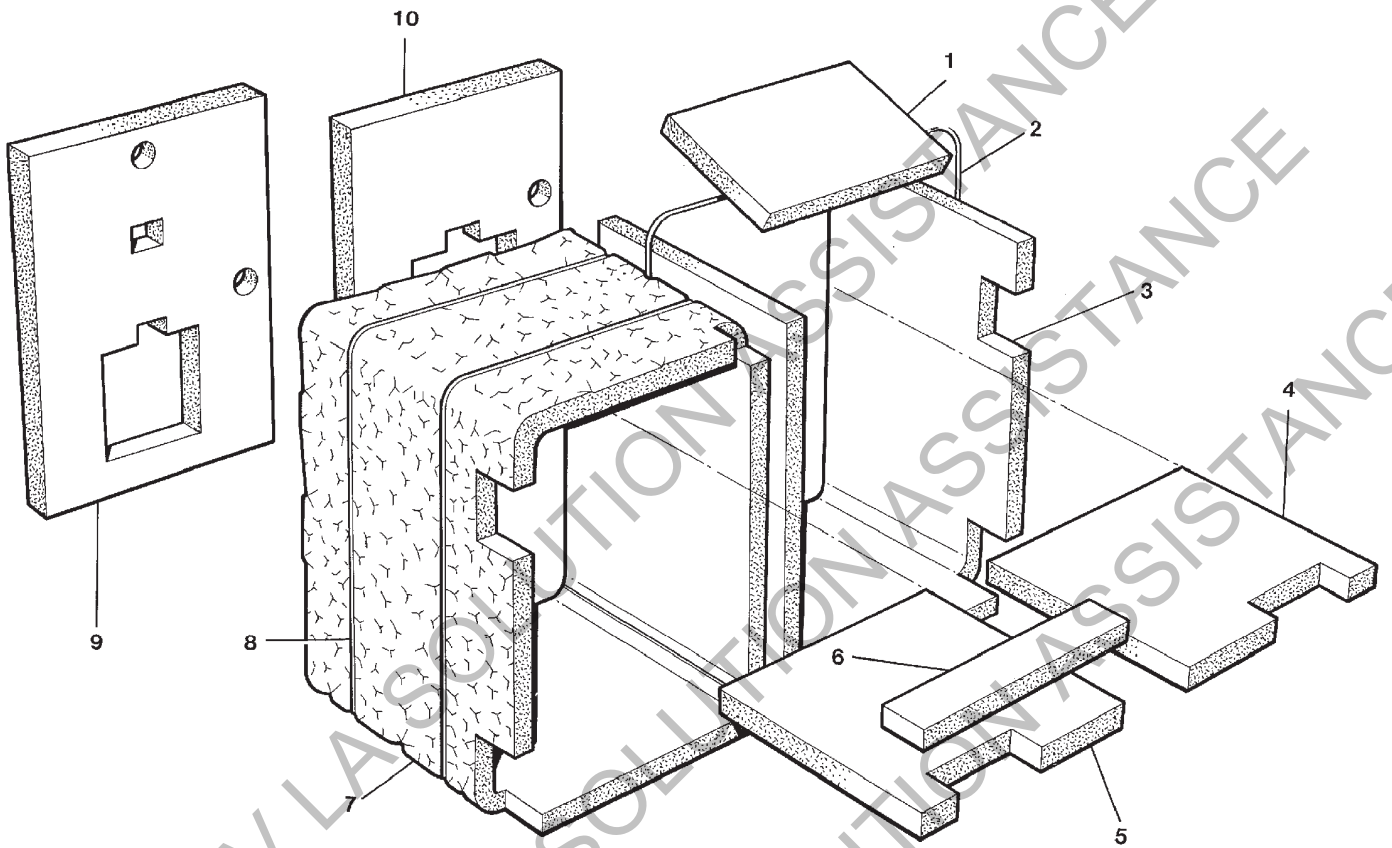
**DATE: JUNE 2007**



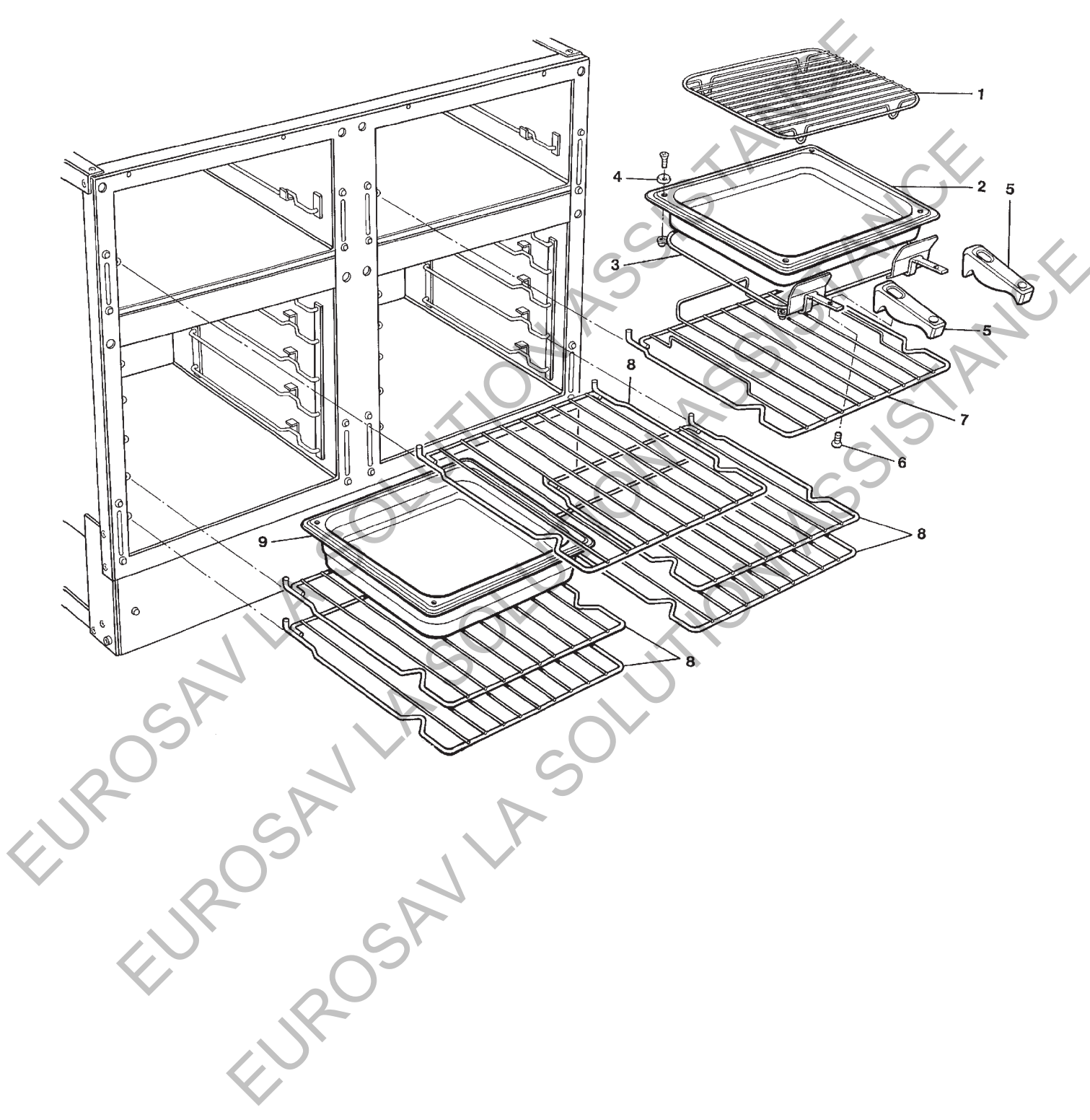
**AGA MASTERCHEF II CERAMIC HOB  
HOB CHASSIS ASSEMBLY**



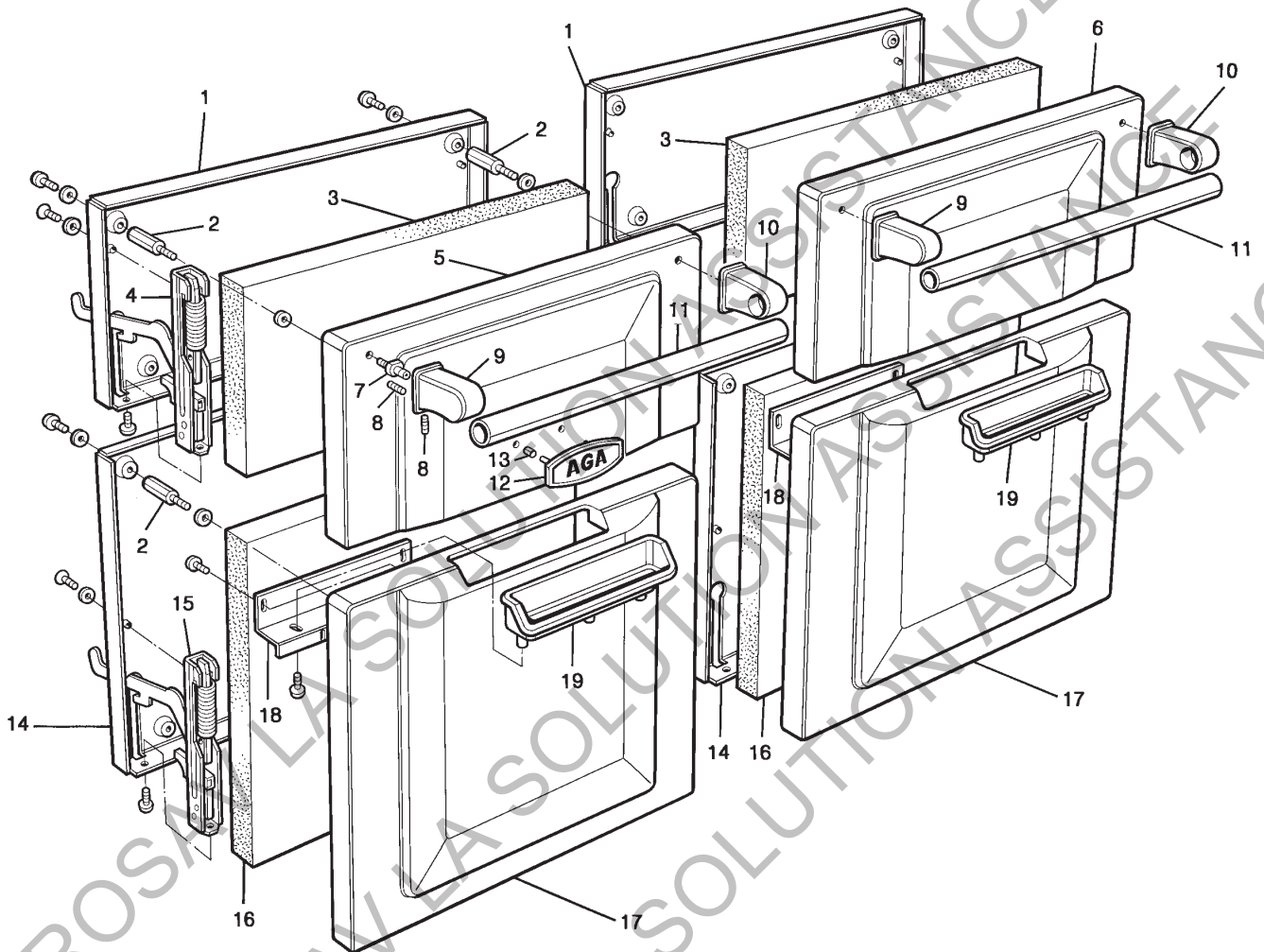
**AGA MASTERCHEF II CERAMIC HOB  
 MAIN OVEN ELECTRICAL WRAP ELEC. GRILL ASSEMBLIES**



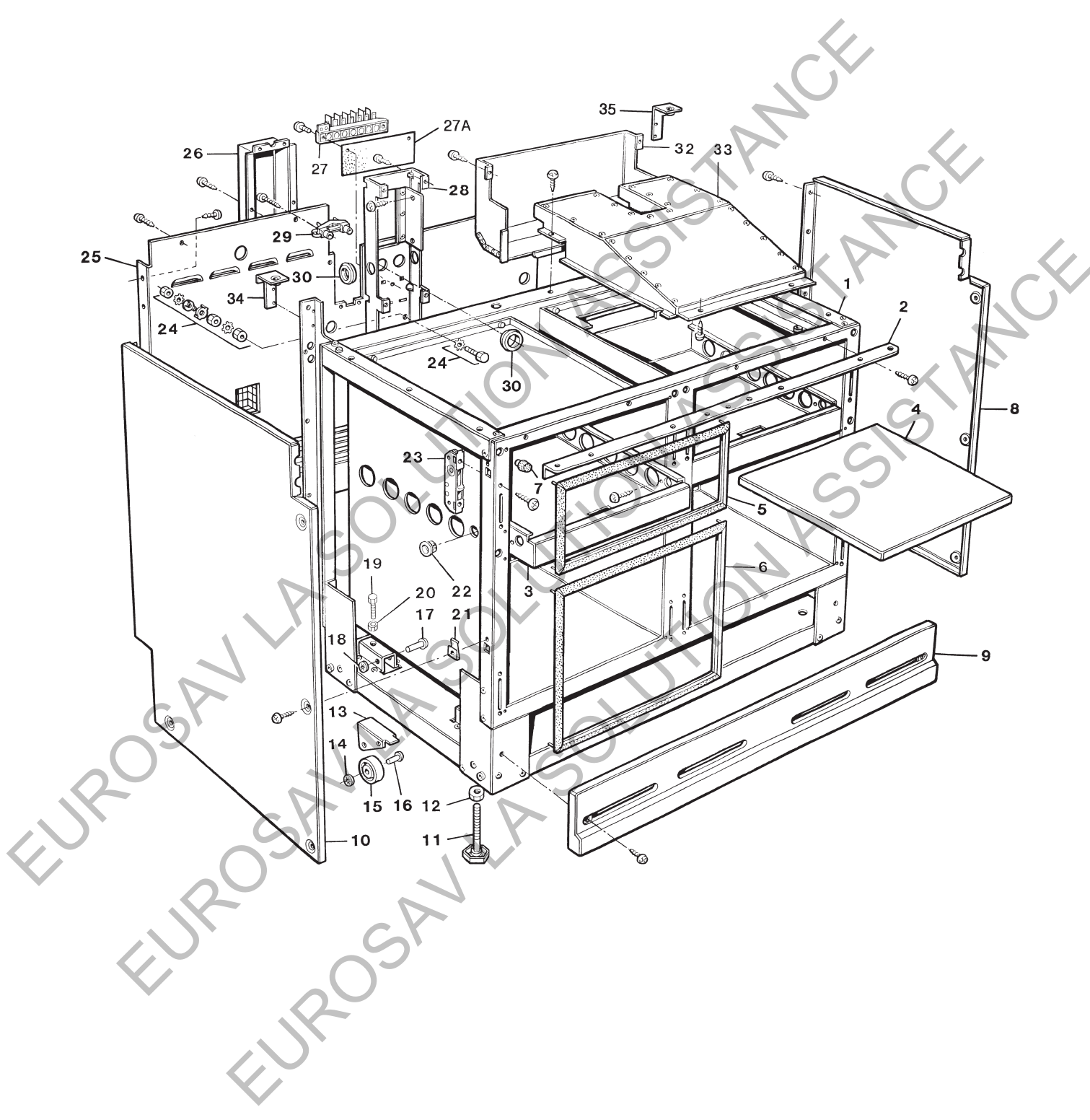
**AGA MASTERCHEF II CERAMIC HOB  
INSULATION**



**AGA MASTERCHEF CERAMIC HOB  
ACCESSORIES AND OVEN FURNITURE**



**AGA MASTERCHEF II CERAMIC HOB  
TOP AND BOTTOM DOOR ASSEMBLIES**



**AGA MASTERCHEF II CERAMIC HOB  
CHASSIS FRAME ASSEMBLY**