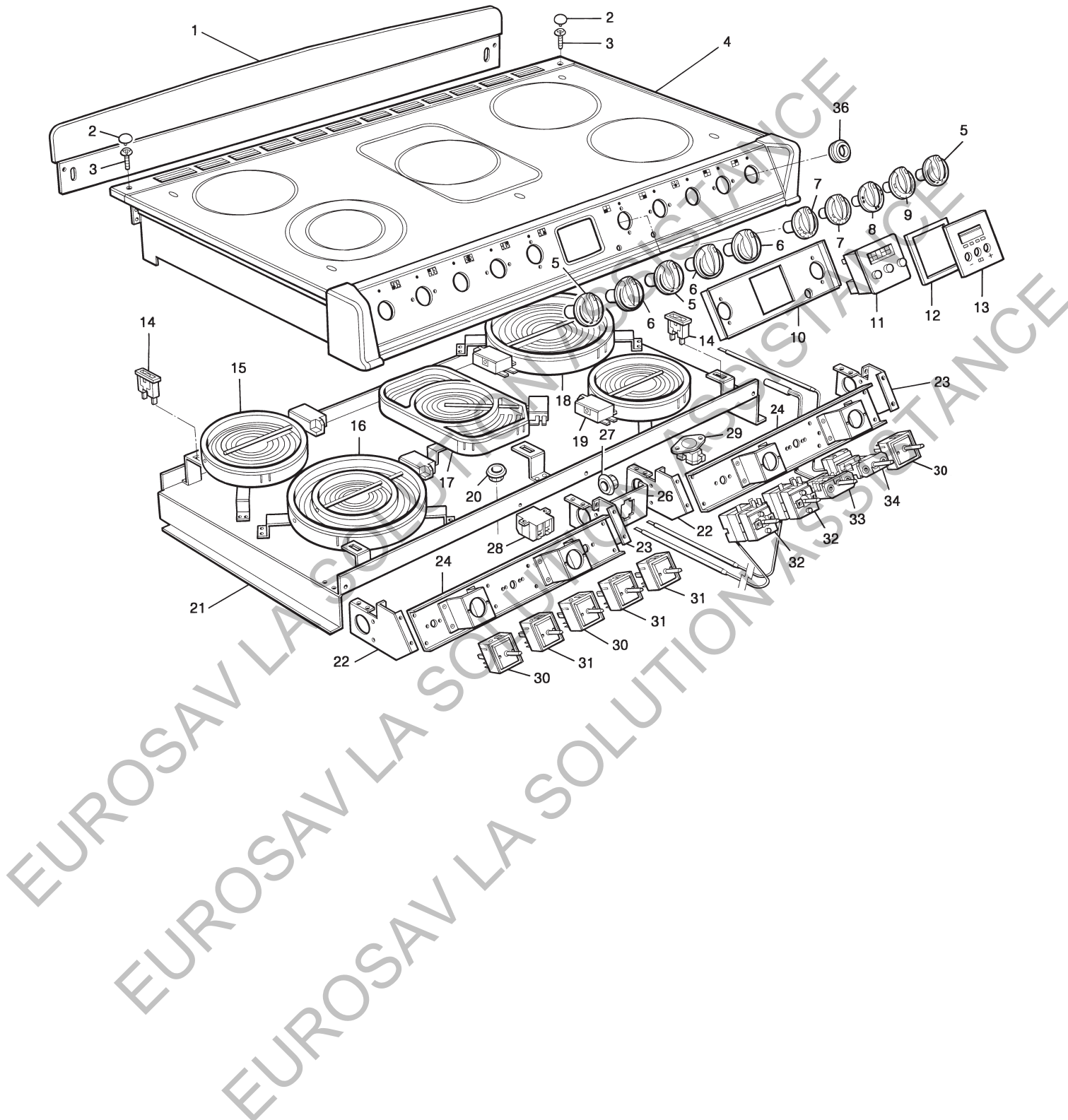
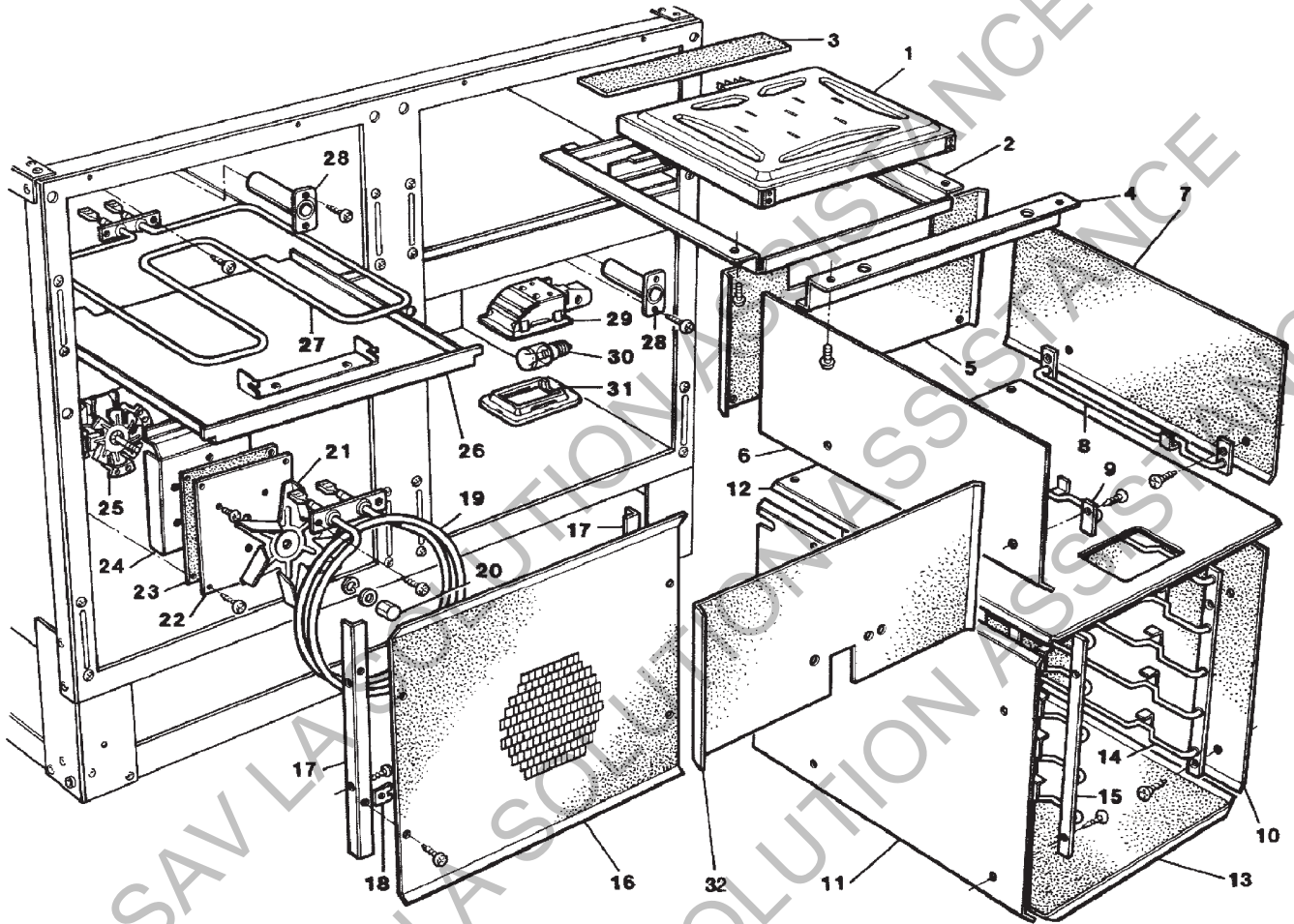


**MASTERCHEF II
DELUXE
CERAMIC HOB**

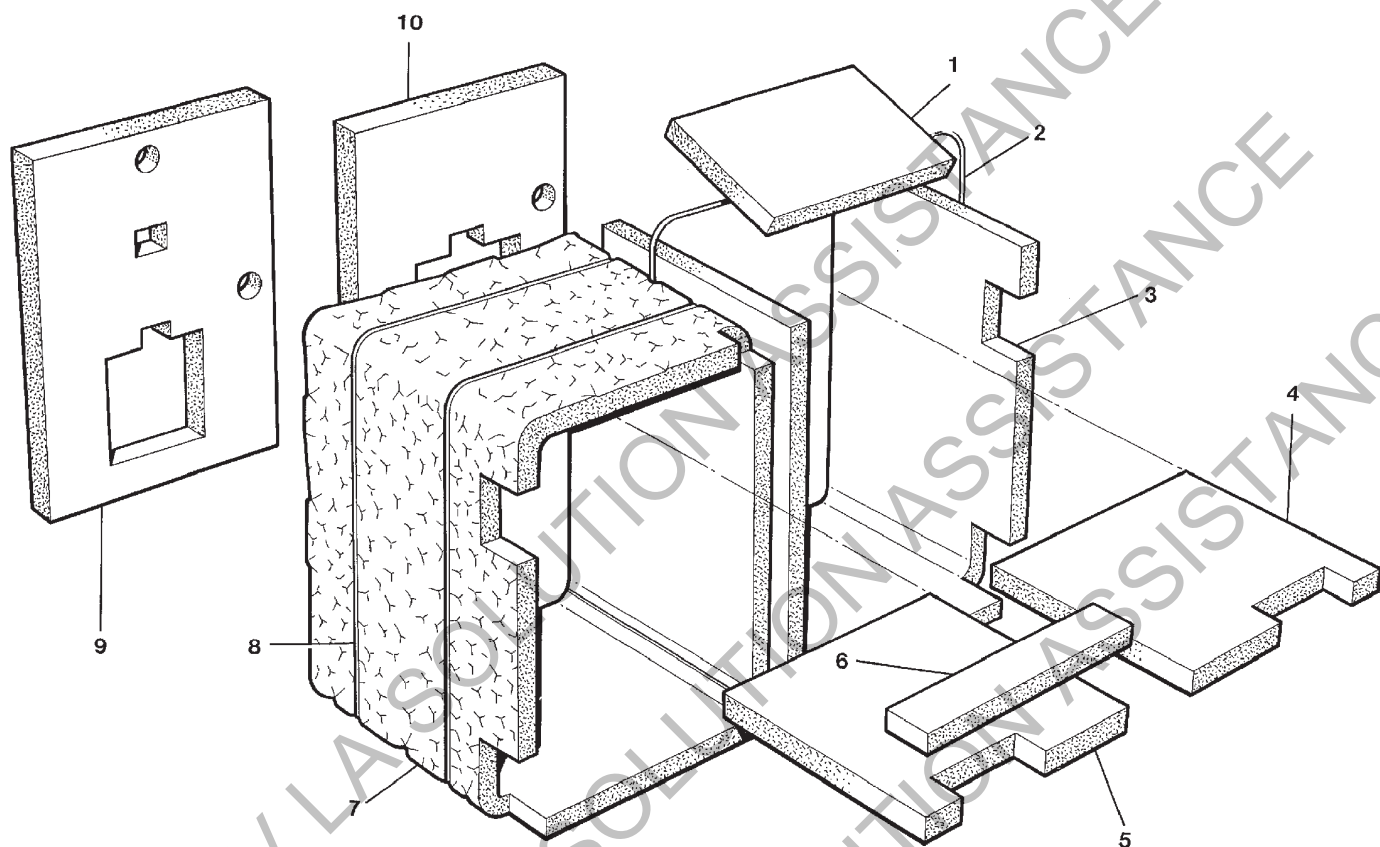
***SPARE PARTS
MANUAL***



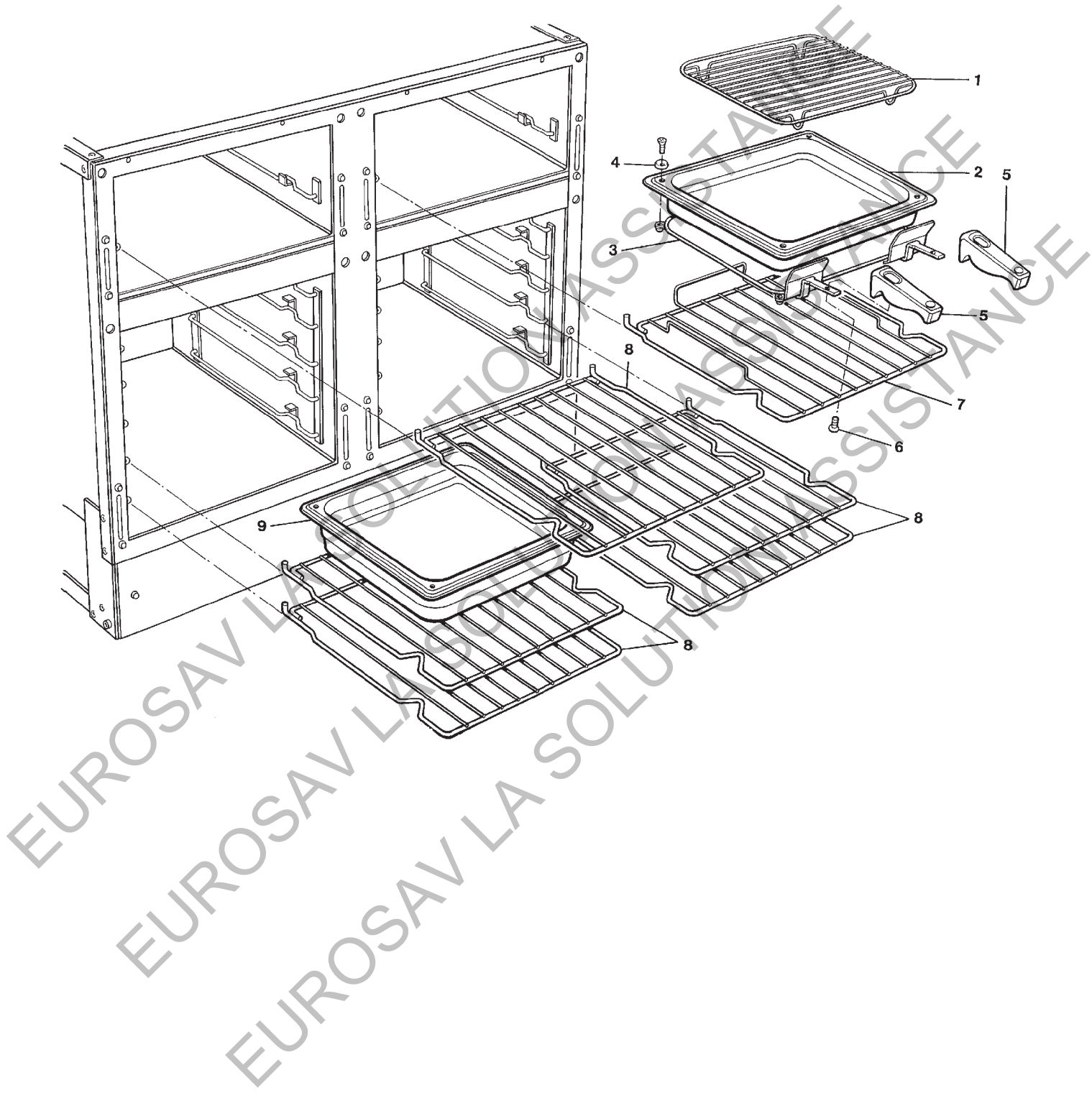
**AGA MASTERCHEF II DELUXE CERAMIC HOB
HOB CHASSIS ASSEMBLY**



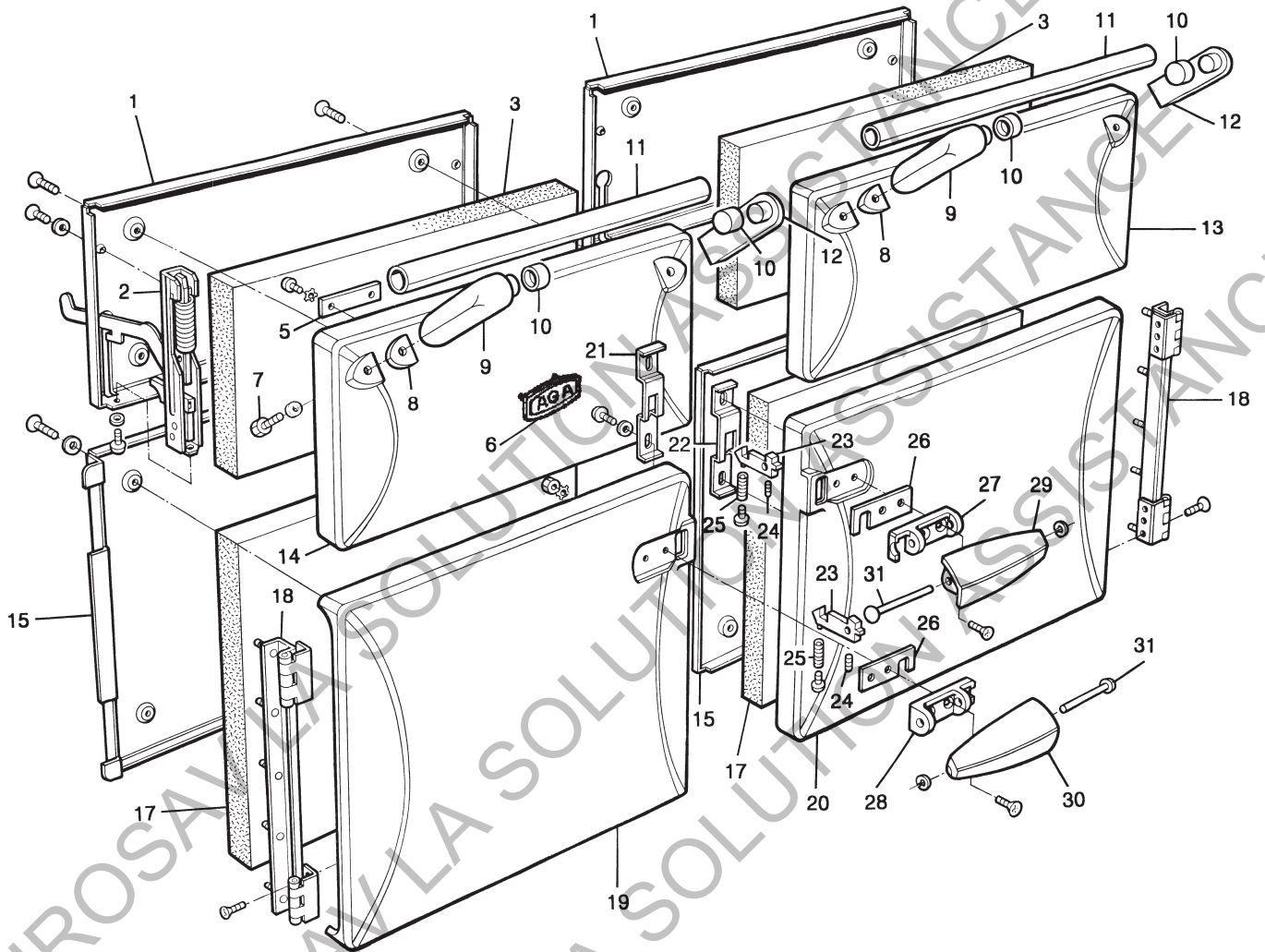
**MASTERCHEF II DELUXE CERAMIC HOB
 MAIN OVEN ELECTRICAL WRAP ELEC. GRILL ASSEMBLIES**



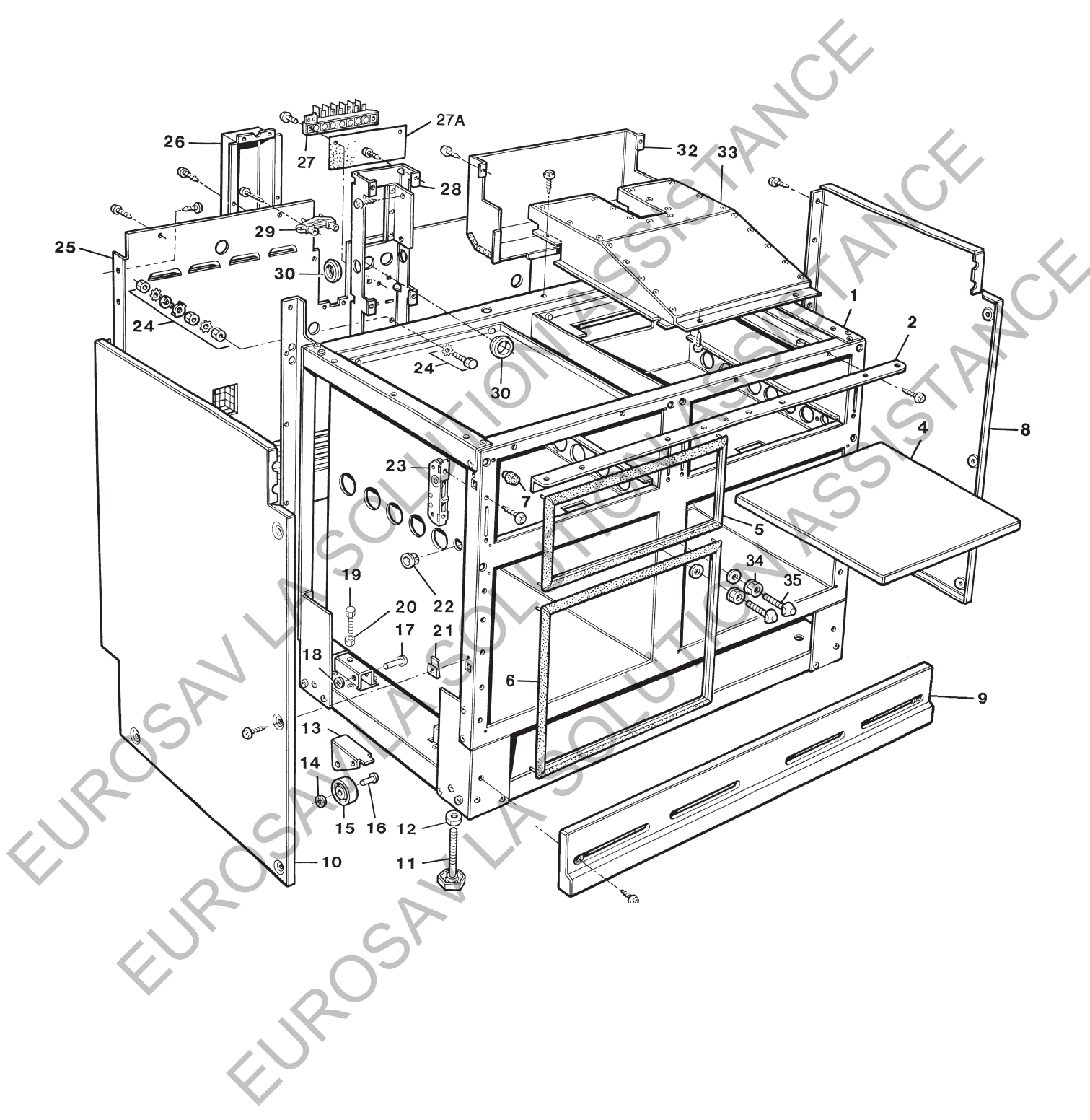
**MASTERCHEF II DELUXE CERAMIC HOB
INSULATION**



**MASTERCHEF II DELUXE CERAMIC HOB
ACCESSORIES AND OVEN FURNITURE**



**AGA MASTERCHEF II DELUXE CERAMIC HOB
TOP AND BOTTOM DOOR ASSEMBLIES**



**AGA MASTERCHEF II DELUXE CERAMIC HOB
CHASSIS FRAME ASSEMBLY**