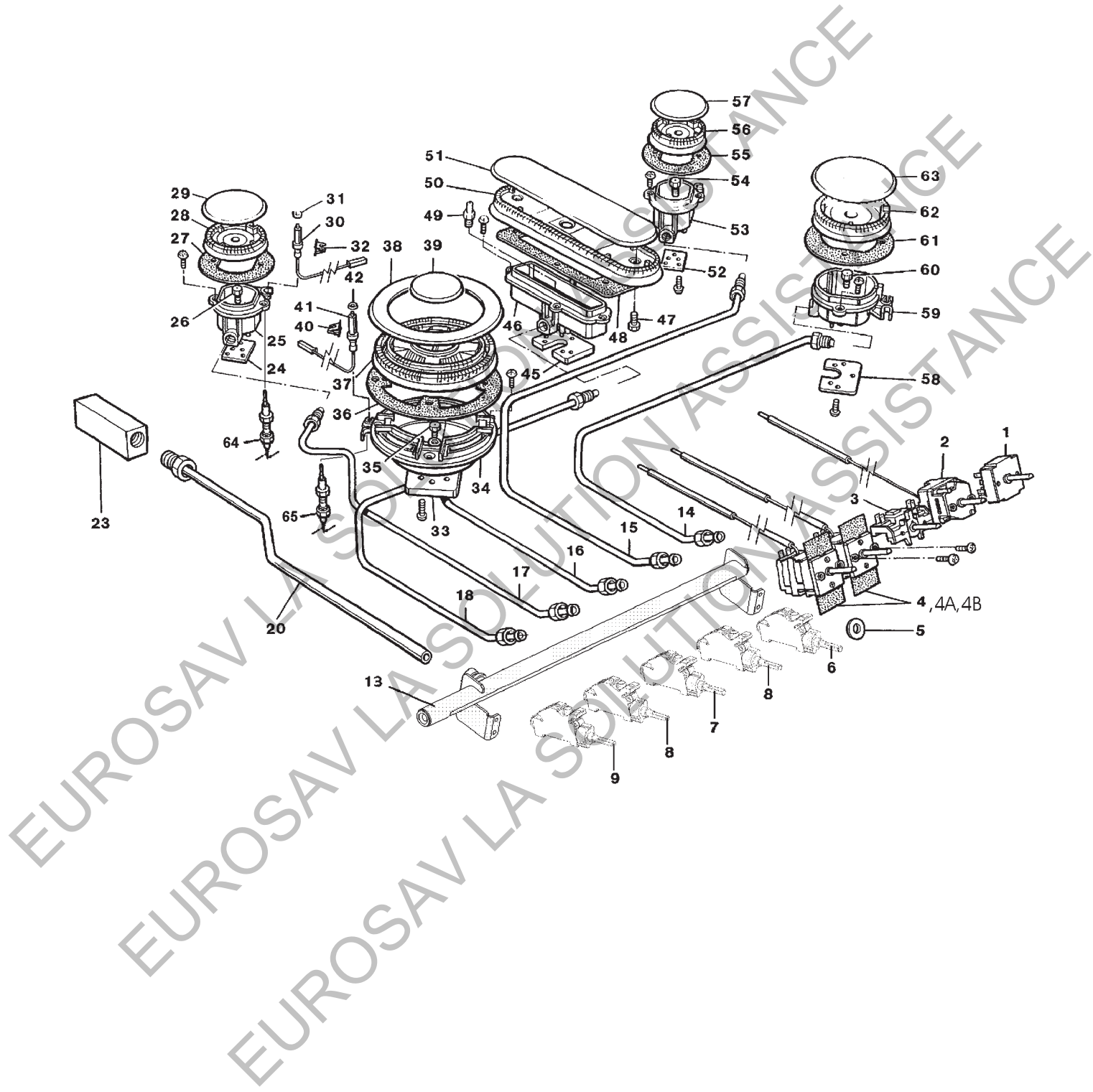


**AGA
MASTERCHEF II
100 DF (FSD)**

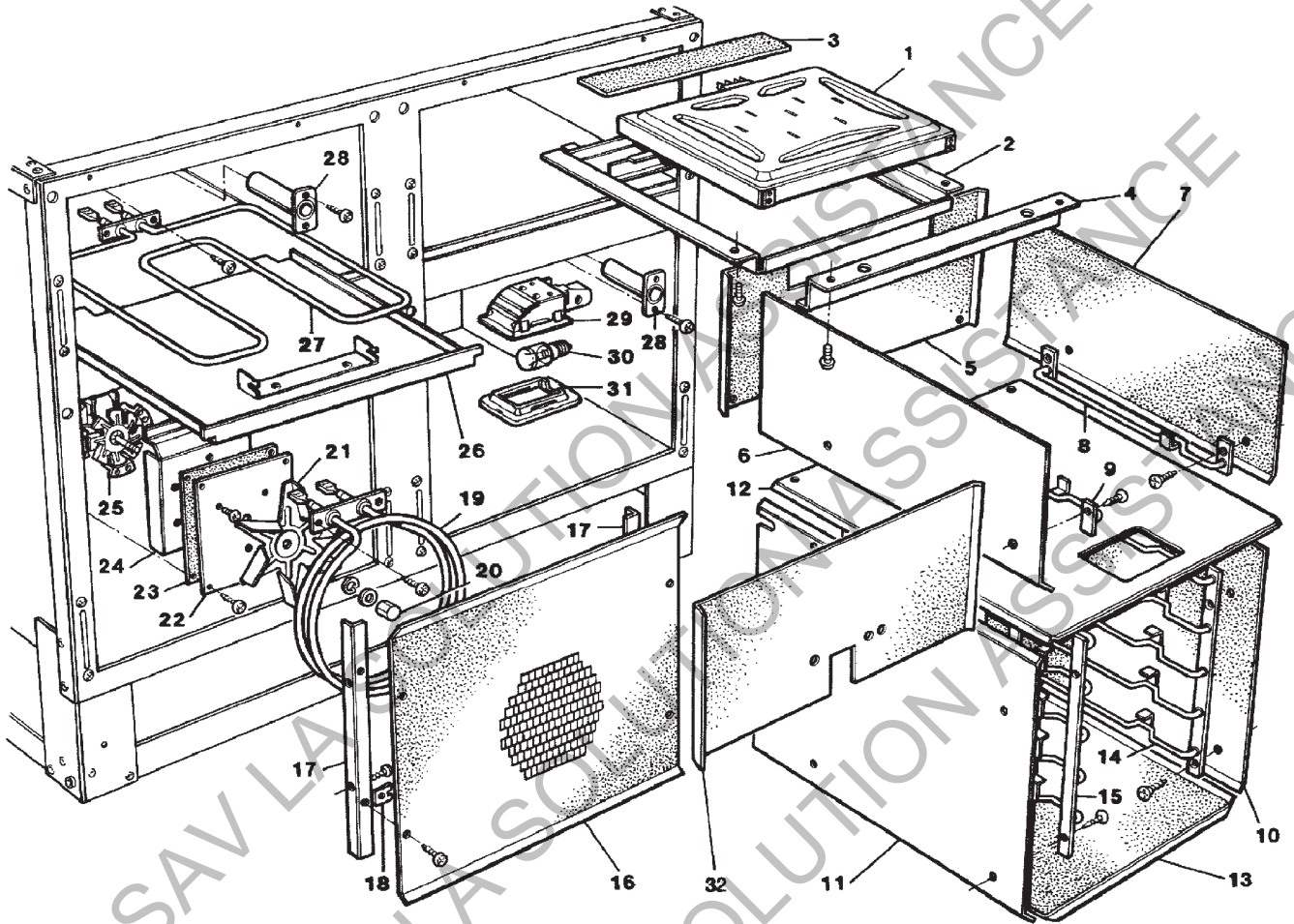
***SPARE PARTS
MANUAL***

LPRT 514857

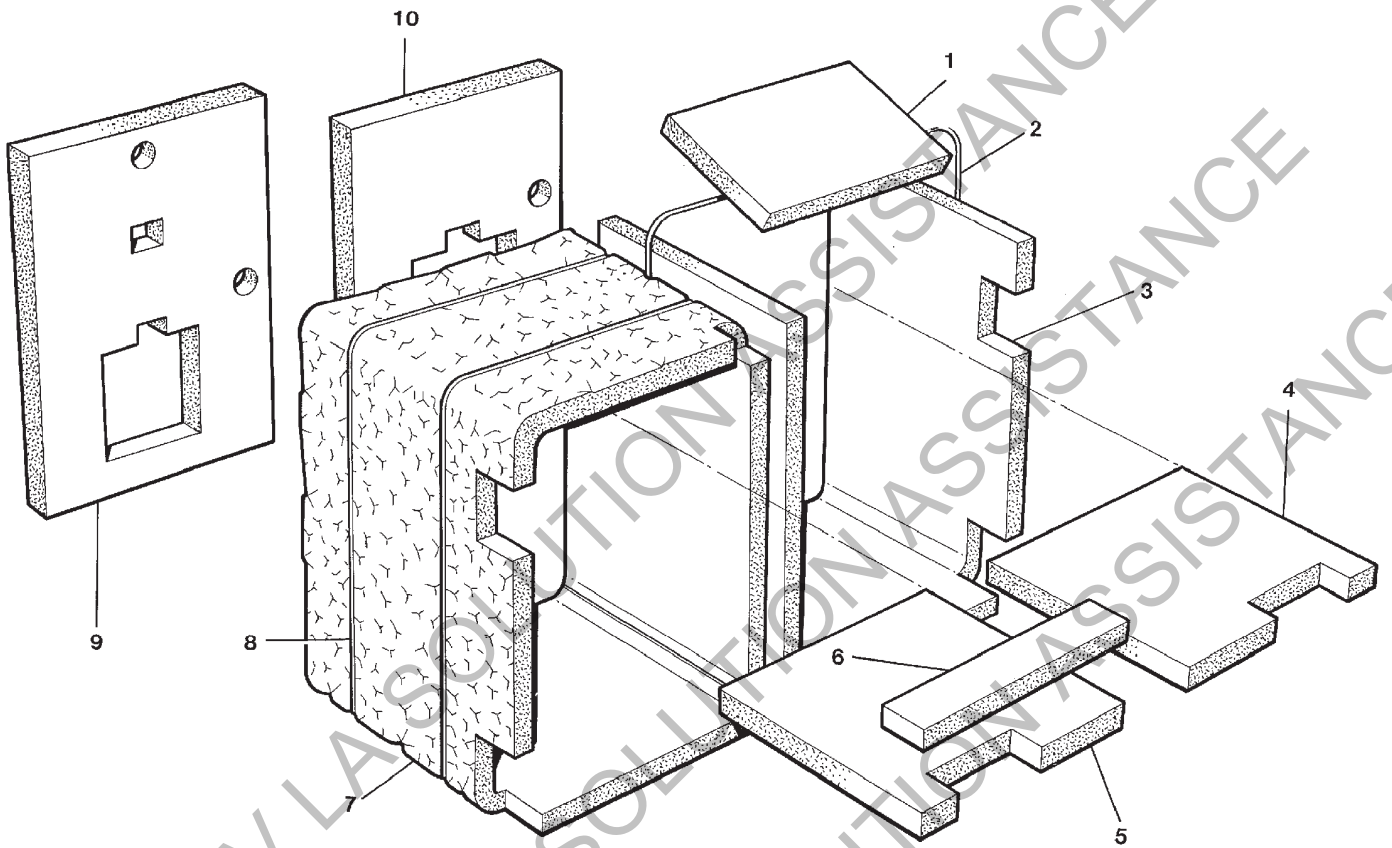
DATE: SEPTEMBER 2006



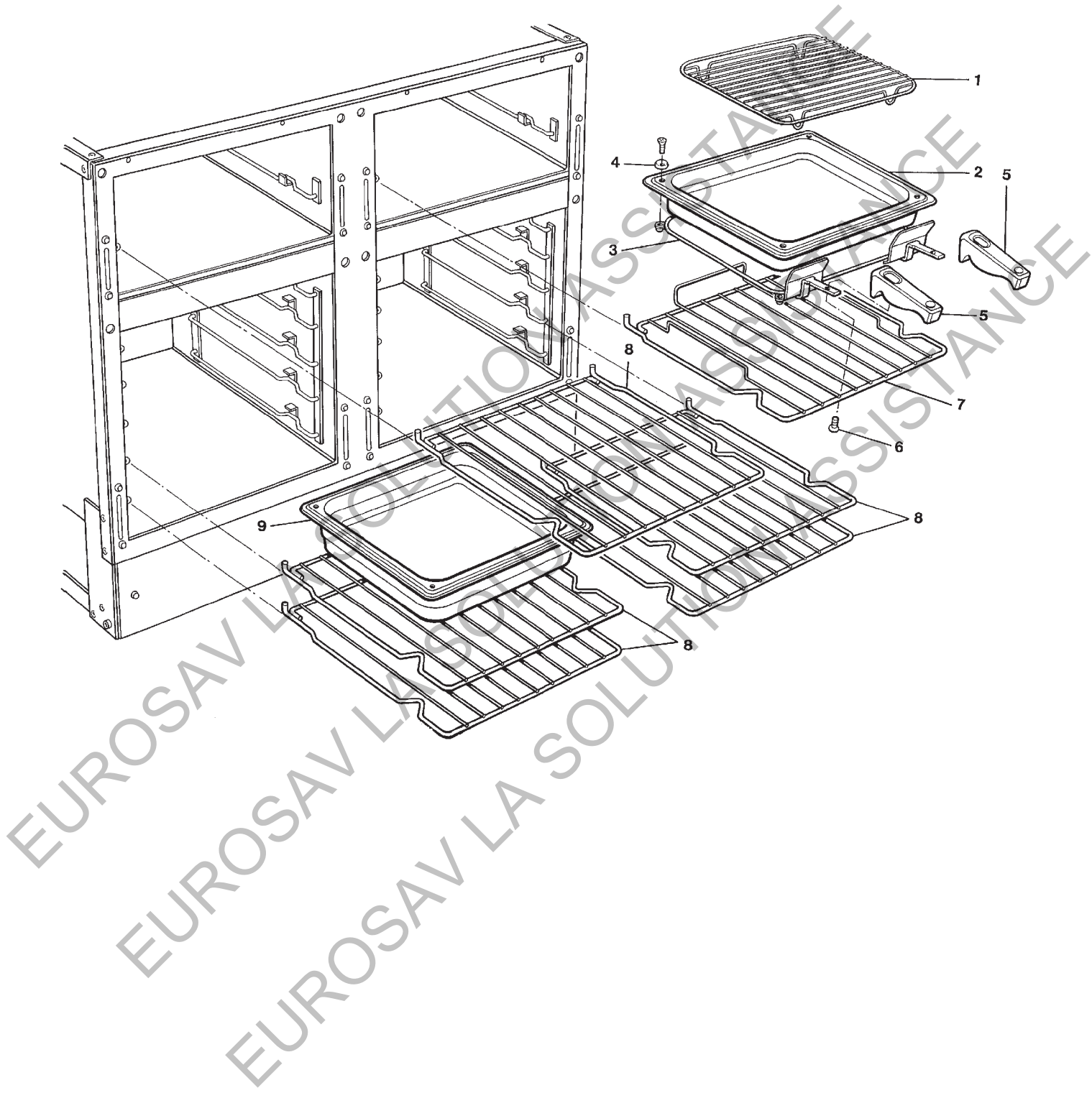
**AGA MASTERCHEF II 100DF (FSD)
HOTPLATE BURNER PARTS**



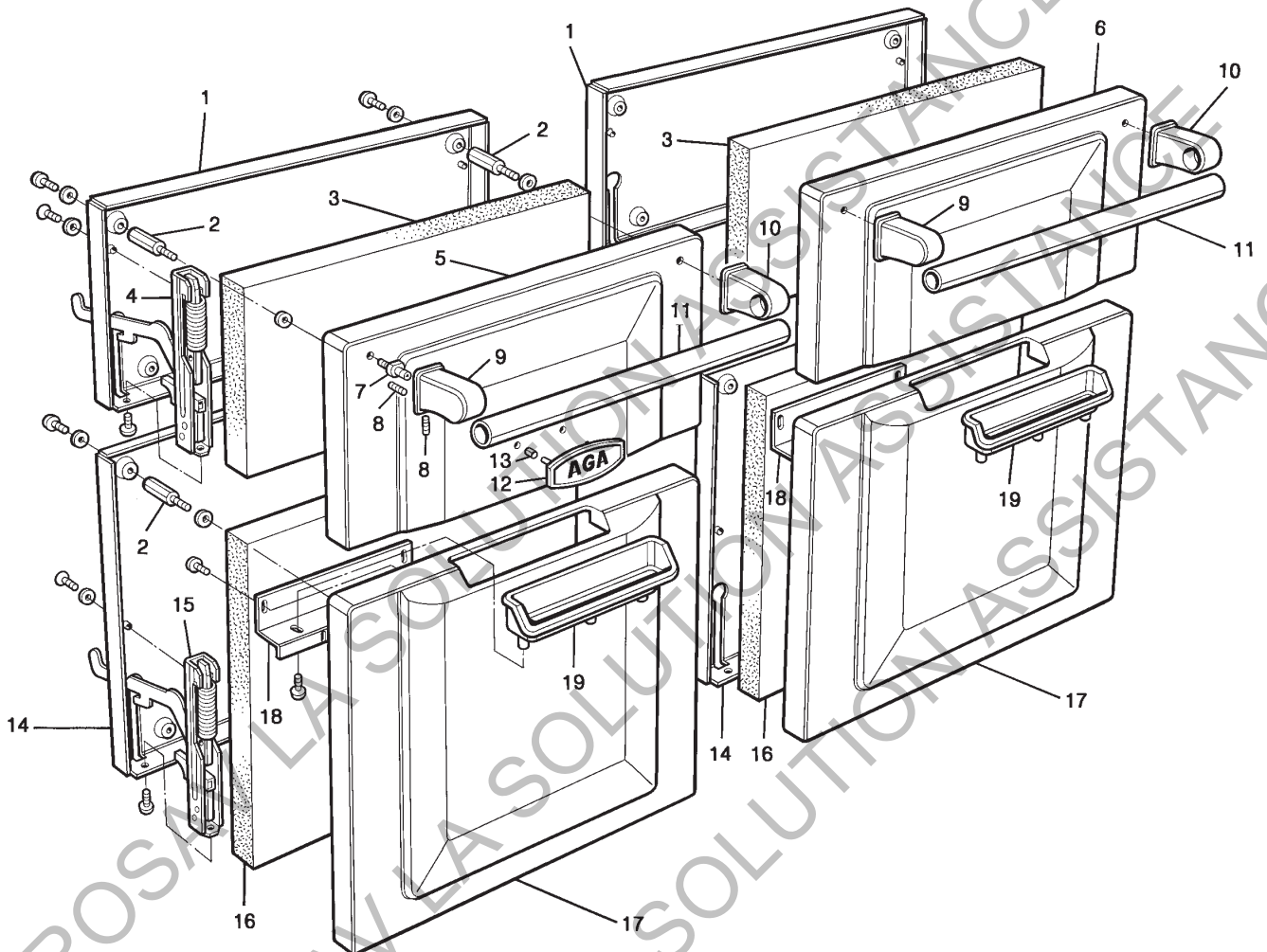
**AGA MASTERCHEF II 100DF (FSD)
 MAIN OVEN ELECTRICAL WRAP ELEC. GRILL ASSEMBLIES**



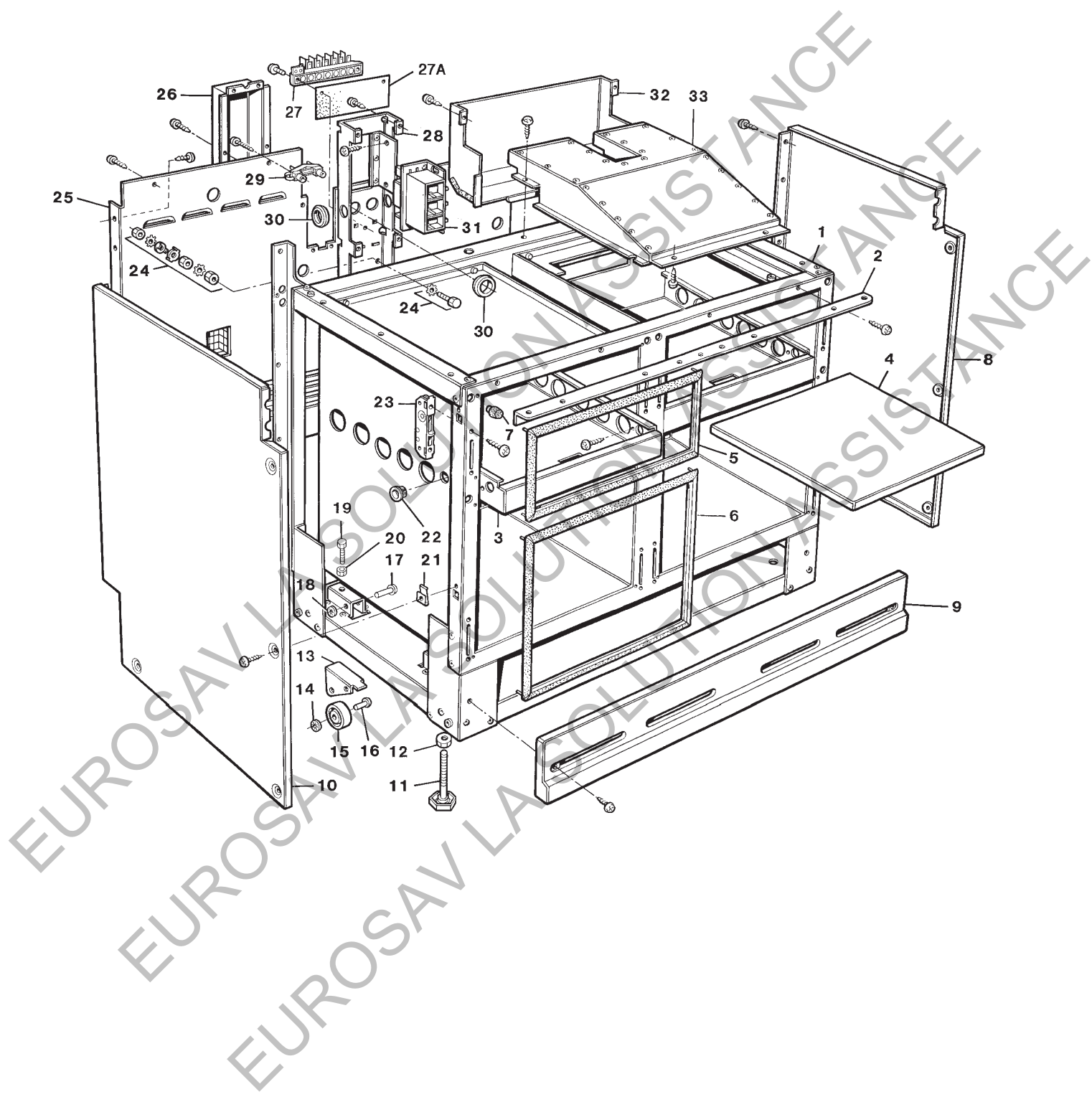
**AGA MASTERCHEF II 100DF (FSD)
INSULATION**



**AGA MASTERCHEF II 100DF (FSD)
ACCESSORIES AND OVEN FURNITURE**

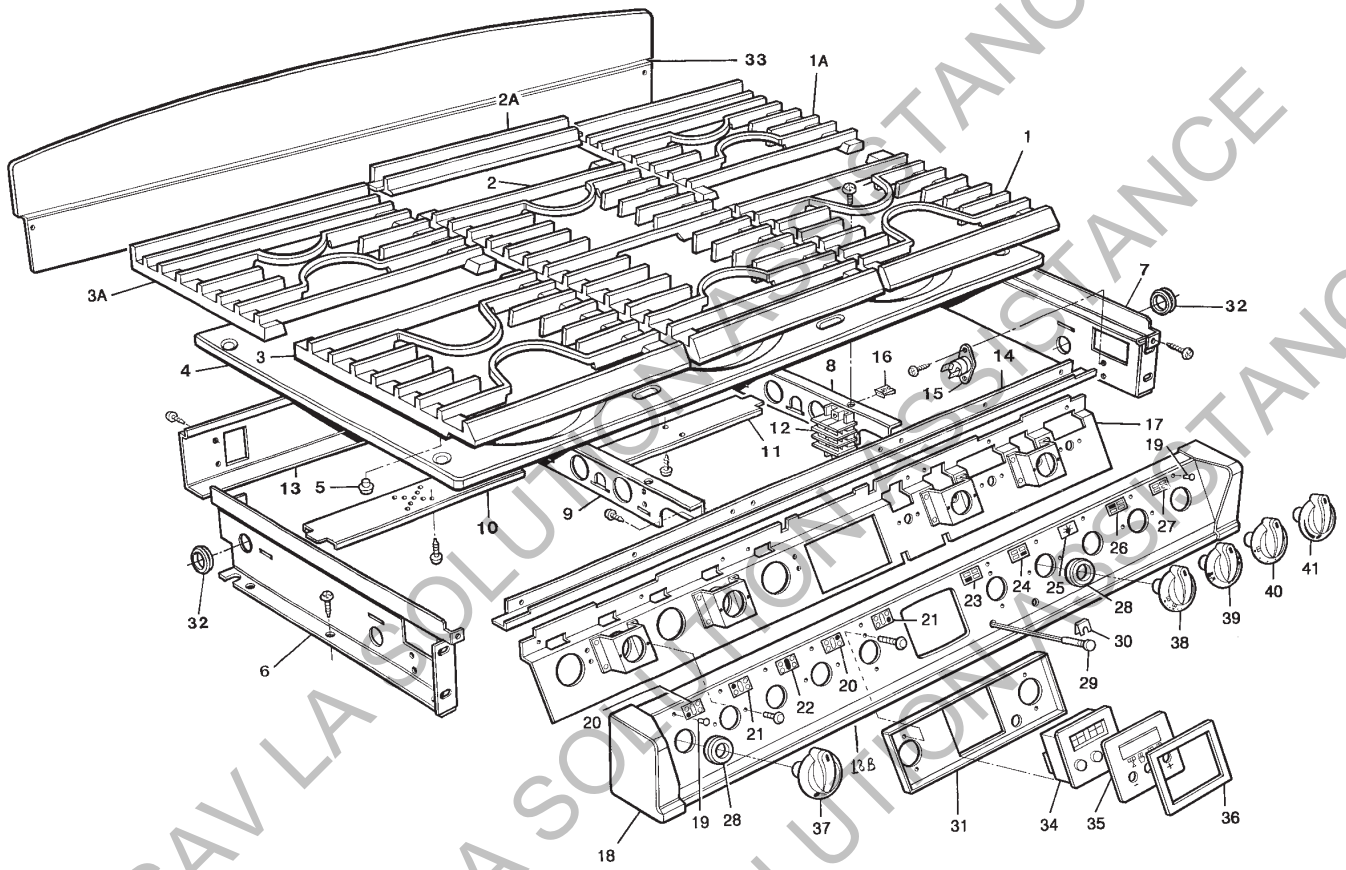


**AGA MASTERCHEF II 100DF (FSD)
TOP AND BOTTOM DOOR ASSEMBLIES**



**AGA MASTERCHEF II 100DF (FSD)
CHASSIS FRAME ASSEMBLY**

EUROSAV LA SOLUZIONE STANCE
EUROSAV LA SOLUZIONE STANCE
EUROSAV LA SOLUZIONE STANCE



**AGA MASTERCHEF II 100DF (FSD)
TOP PLATE & HOTPLATE FRAME**