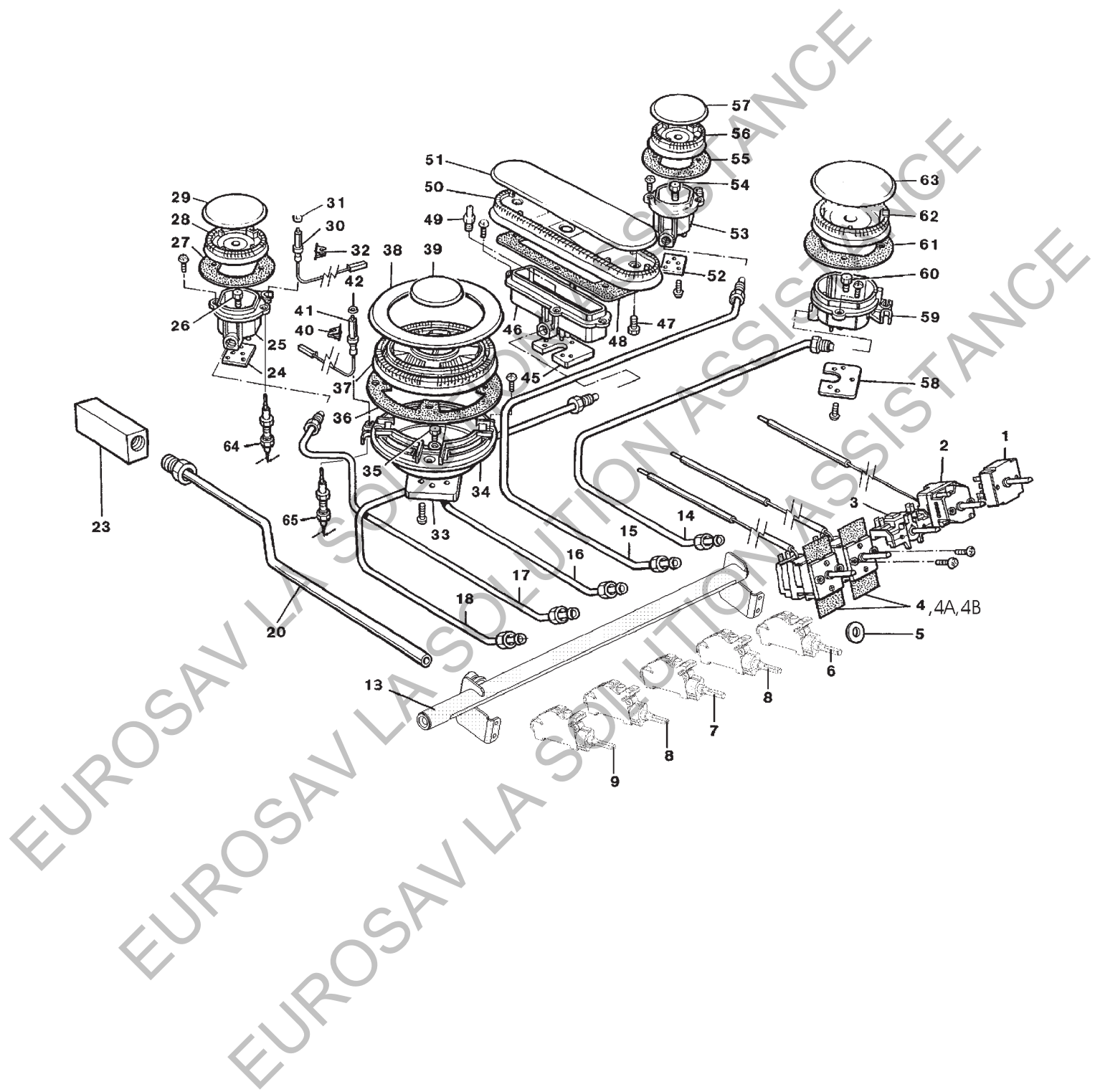


**AGA
MASTERCHEF
DELUXE**

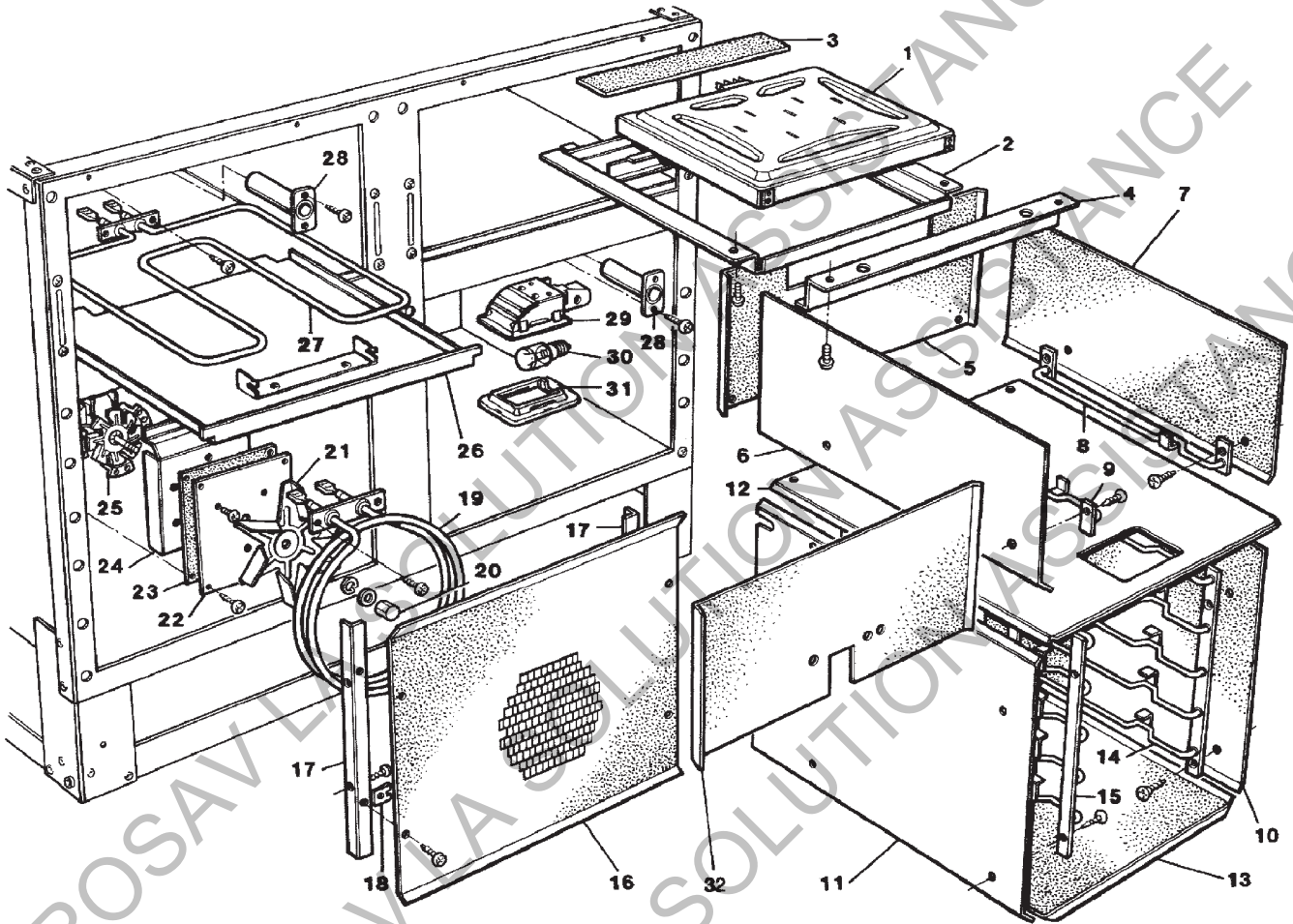
***SPARE PARTS
MANUAL***

LPRT 515281

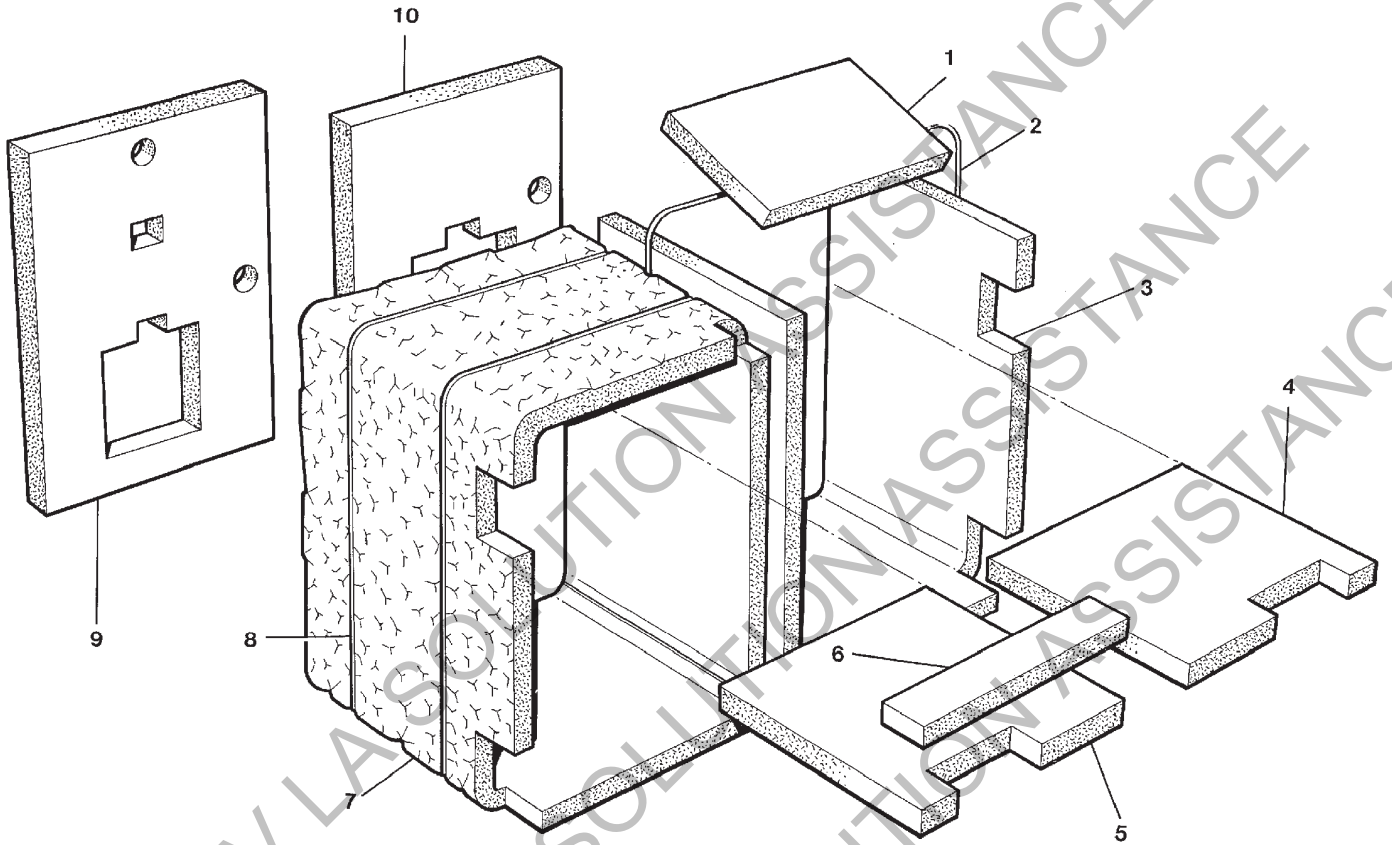
DATE: JUNE 2007



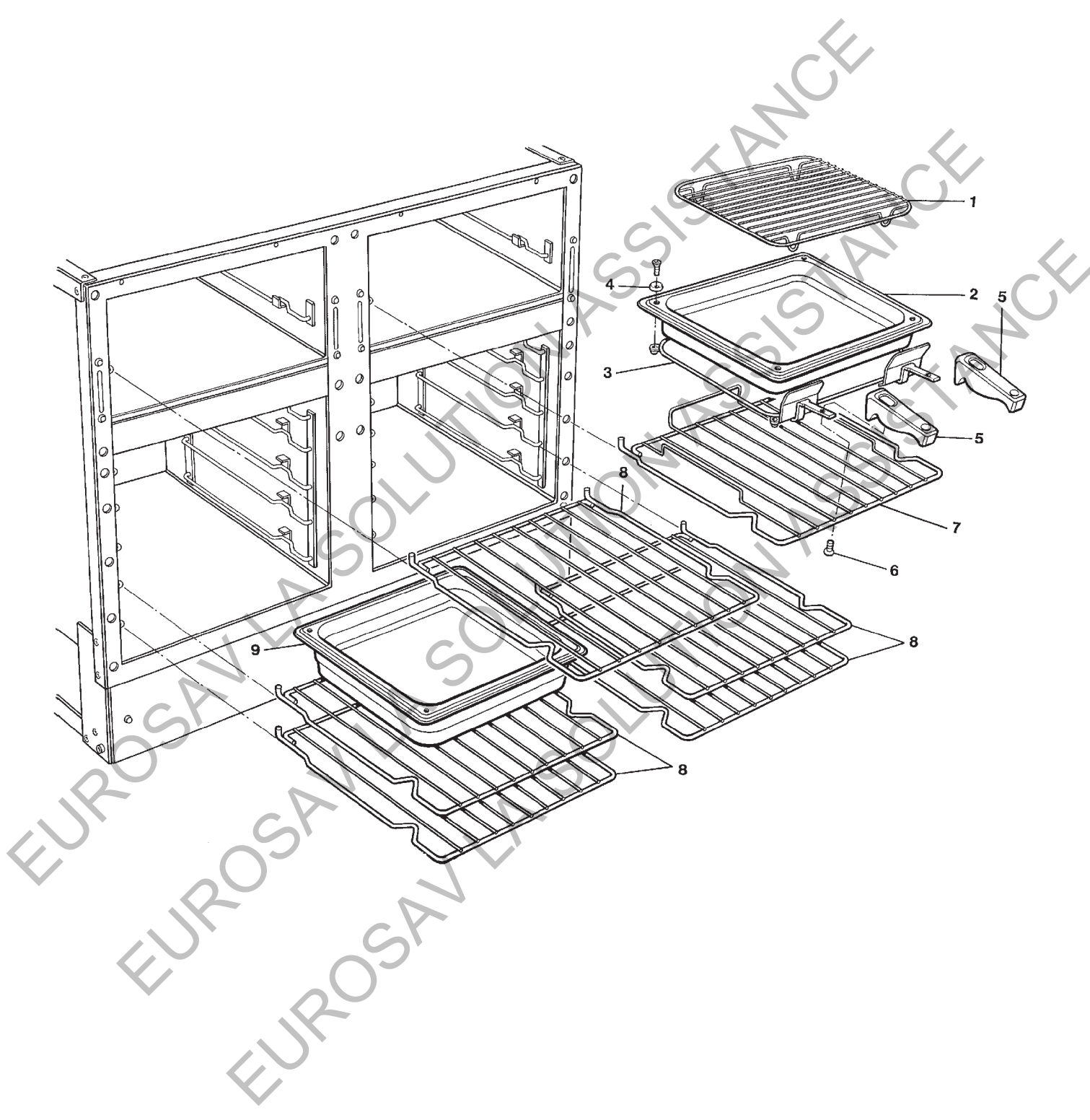
AGA MASTERCHEF II DELUXE HOTPLATE BURNER PARTS



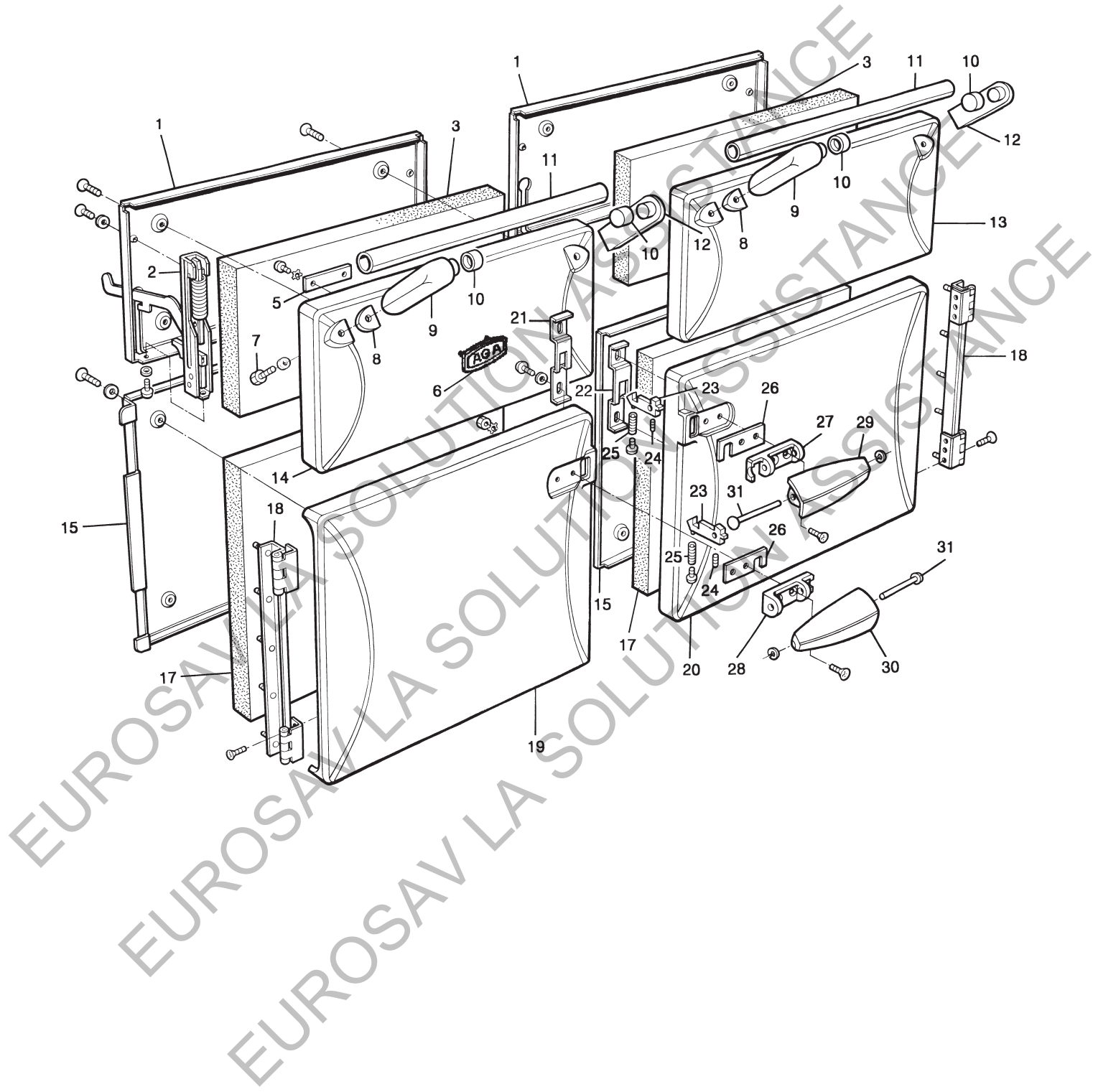
**AGA MASTERCHEF II DELUXE
MAIN OVEN ELECTRICAL WRAP ELEC. GRILL ASSEMBLIES**



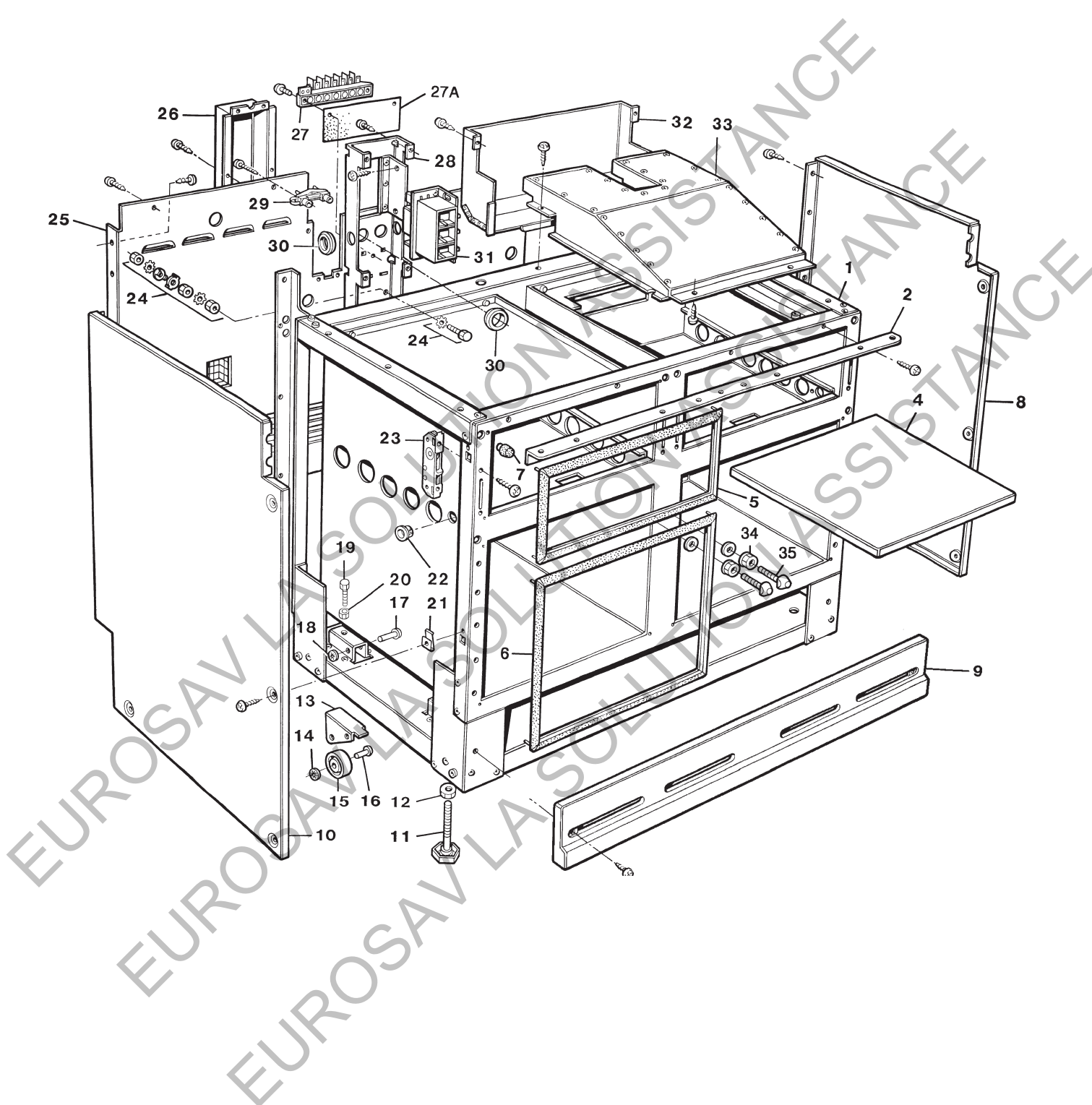
**AGA MASTERCHEF II DELUXE
INSULATION**



**AGA MASTERCHEF II DELUXE
ACCESSORIES AND OVEN FURNITURE**

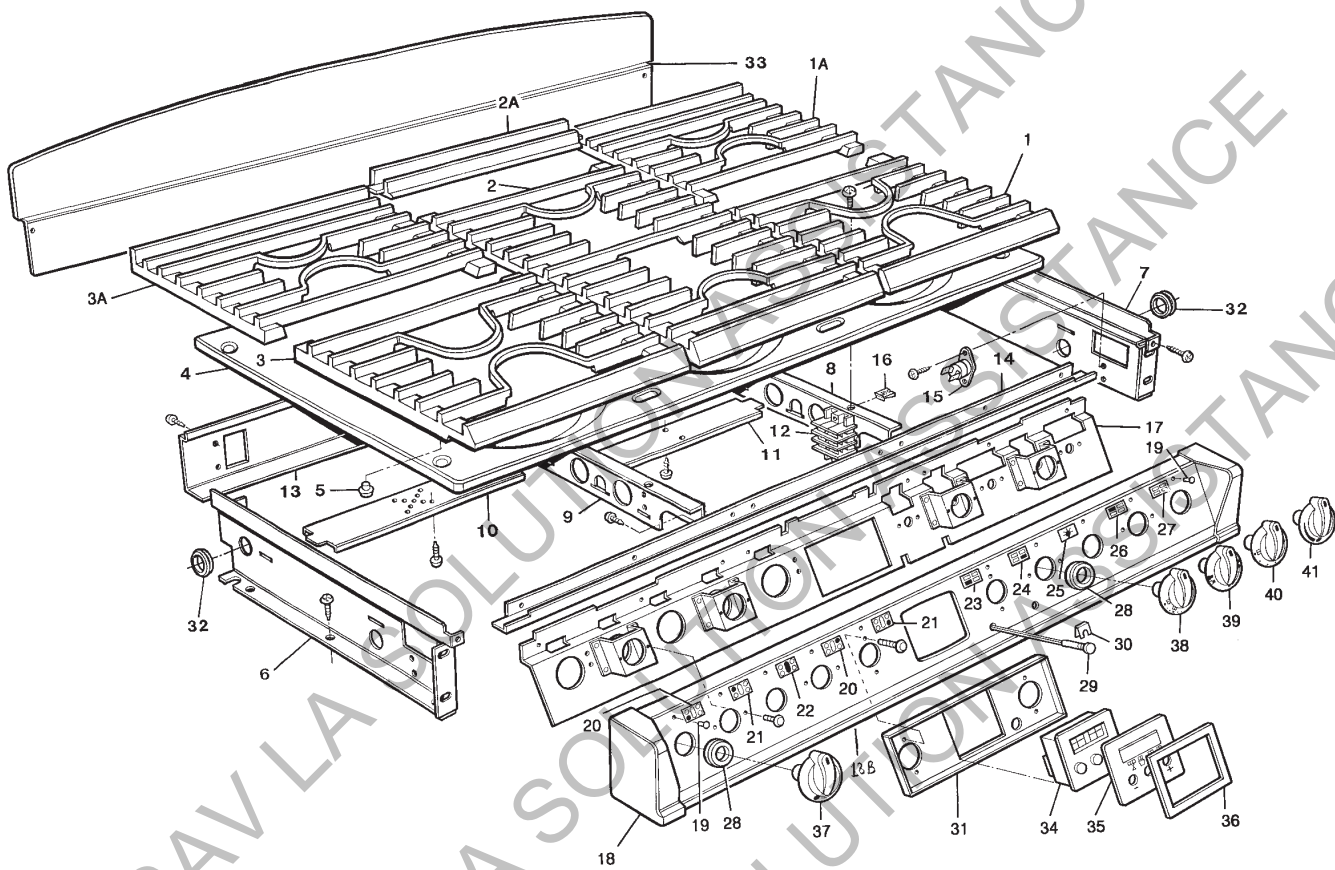


**AGA MASTERCHEF II DELUXE
TOP AND BOTTOM DOOR ASSEMBLIES**



**AGA MASTERCHEF II DELUXE
CHASSIS FRAME ASSEMBLY**

EUROSAV LA SOLUZIONE STANCE
EUROSAV LA SOLUZIONE STANCE
EUROSAV LA SOLUZIONE STANCE



**AGA MASTERCHEF II DELUXE
TOP PLATE & HOTPLATE FRAME**