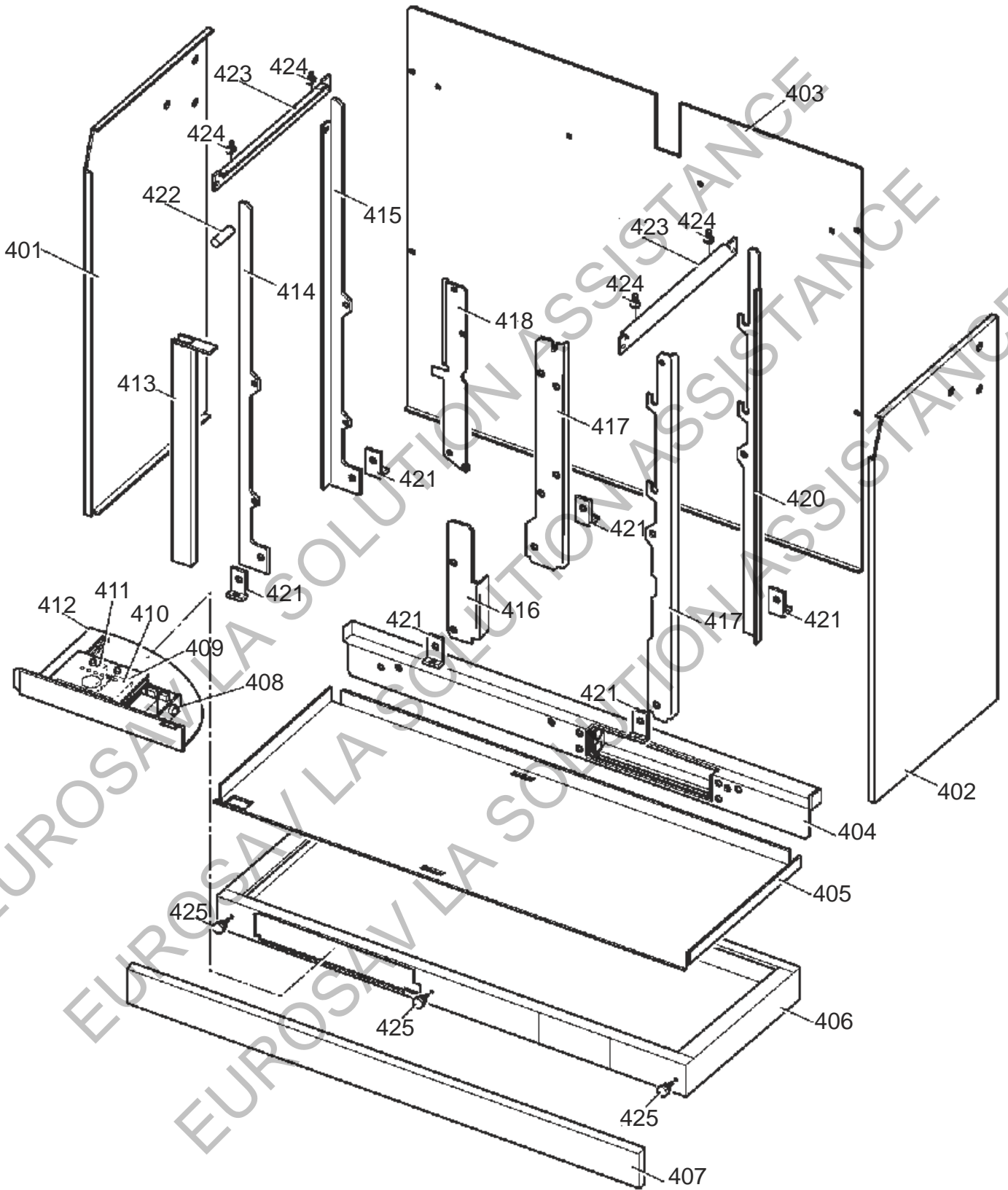
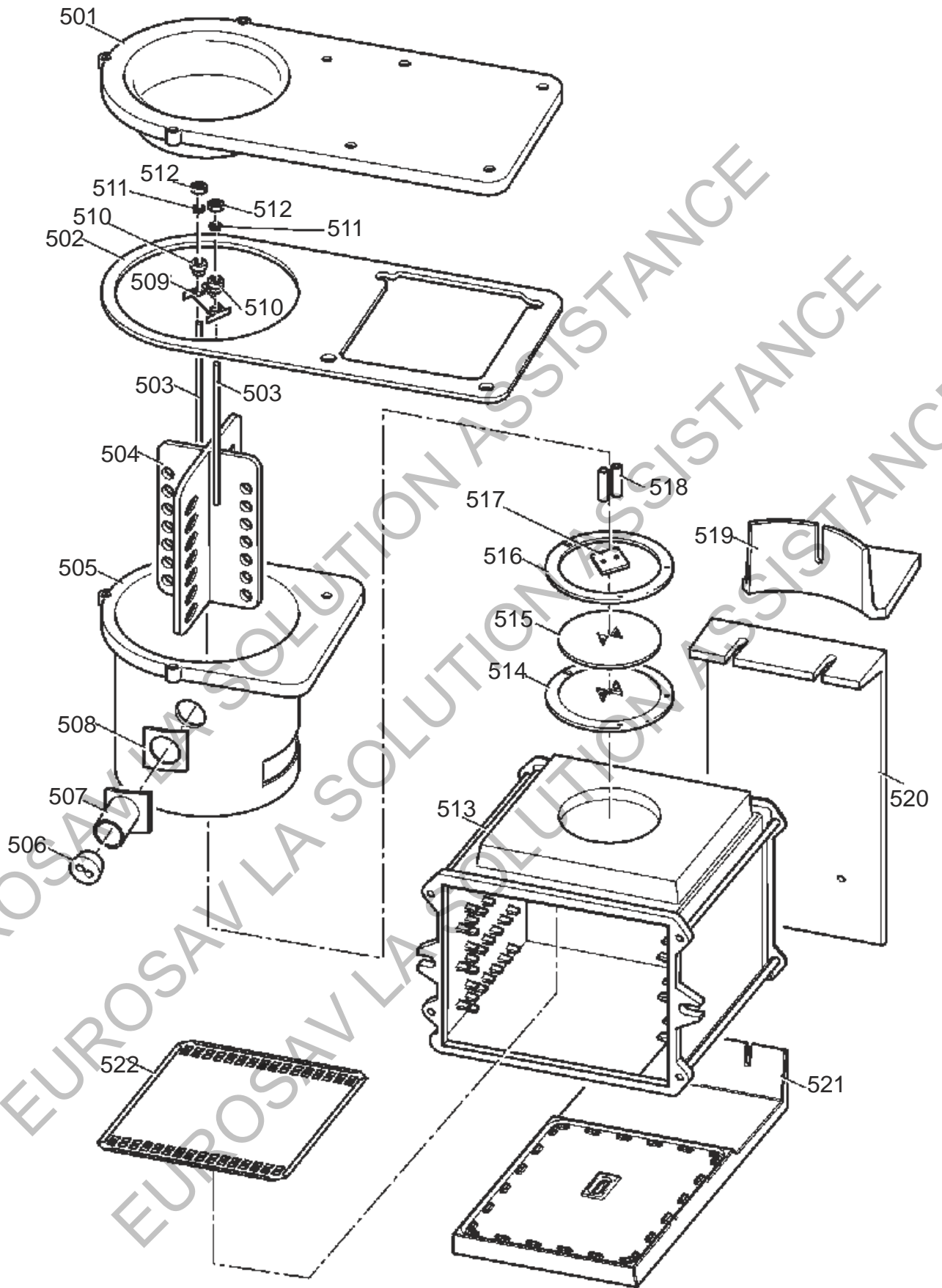


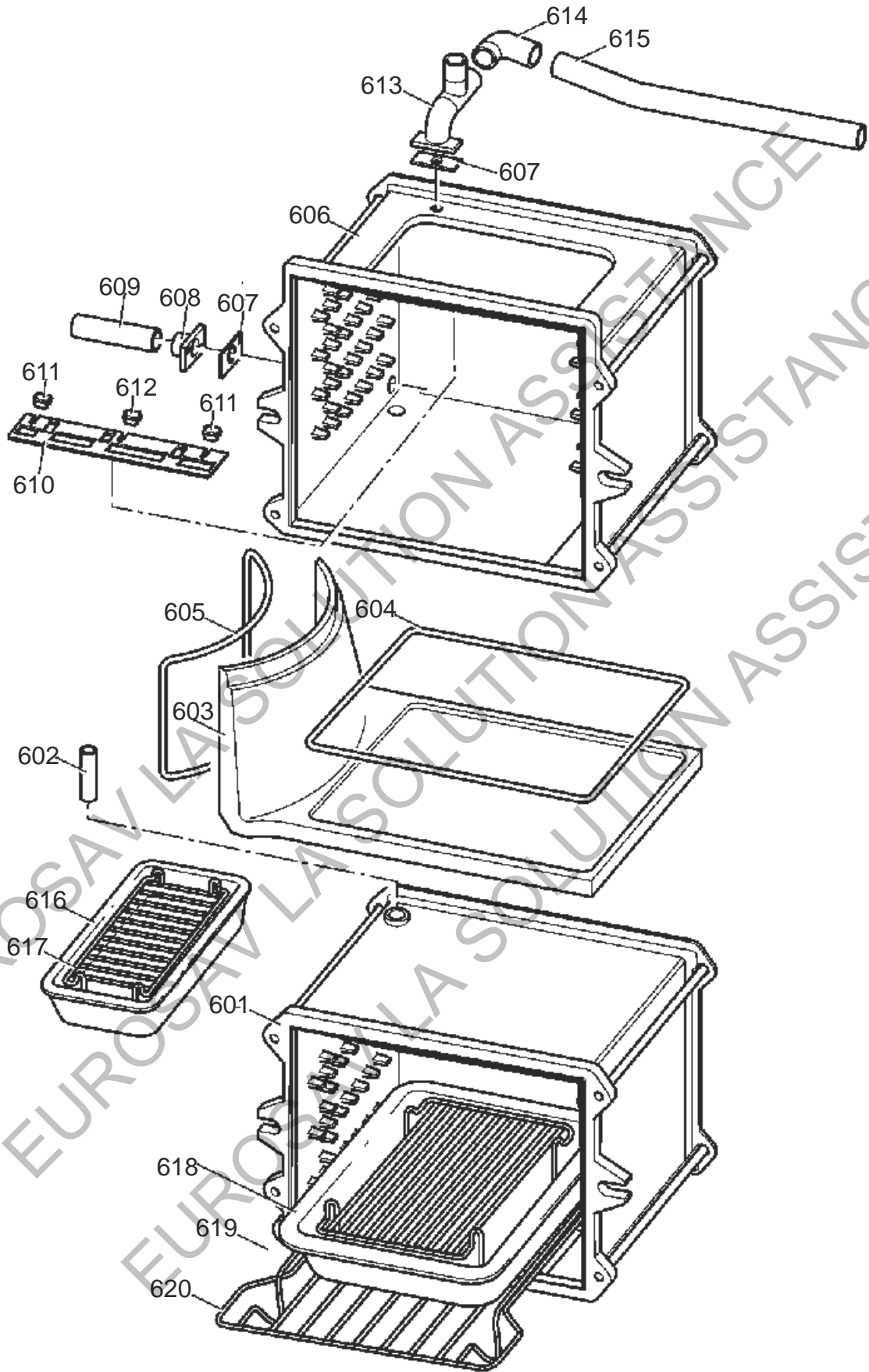
FRONT PLATE AND DOORS



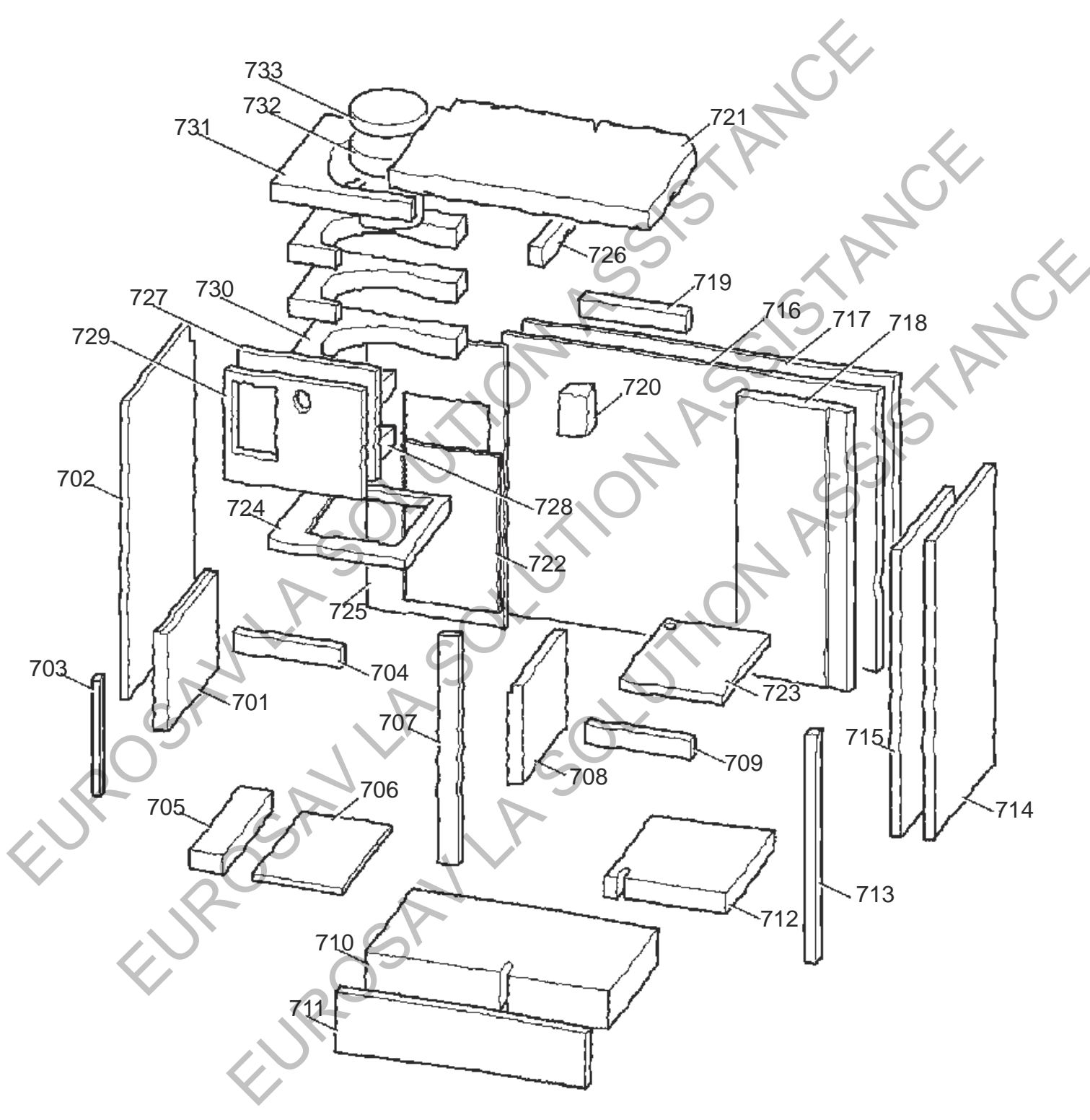
CHASSIS ASSEMBLY C/W BASE, SIDES AND BACK



BAKING OVEN AND BARREL ASSEMBLY

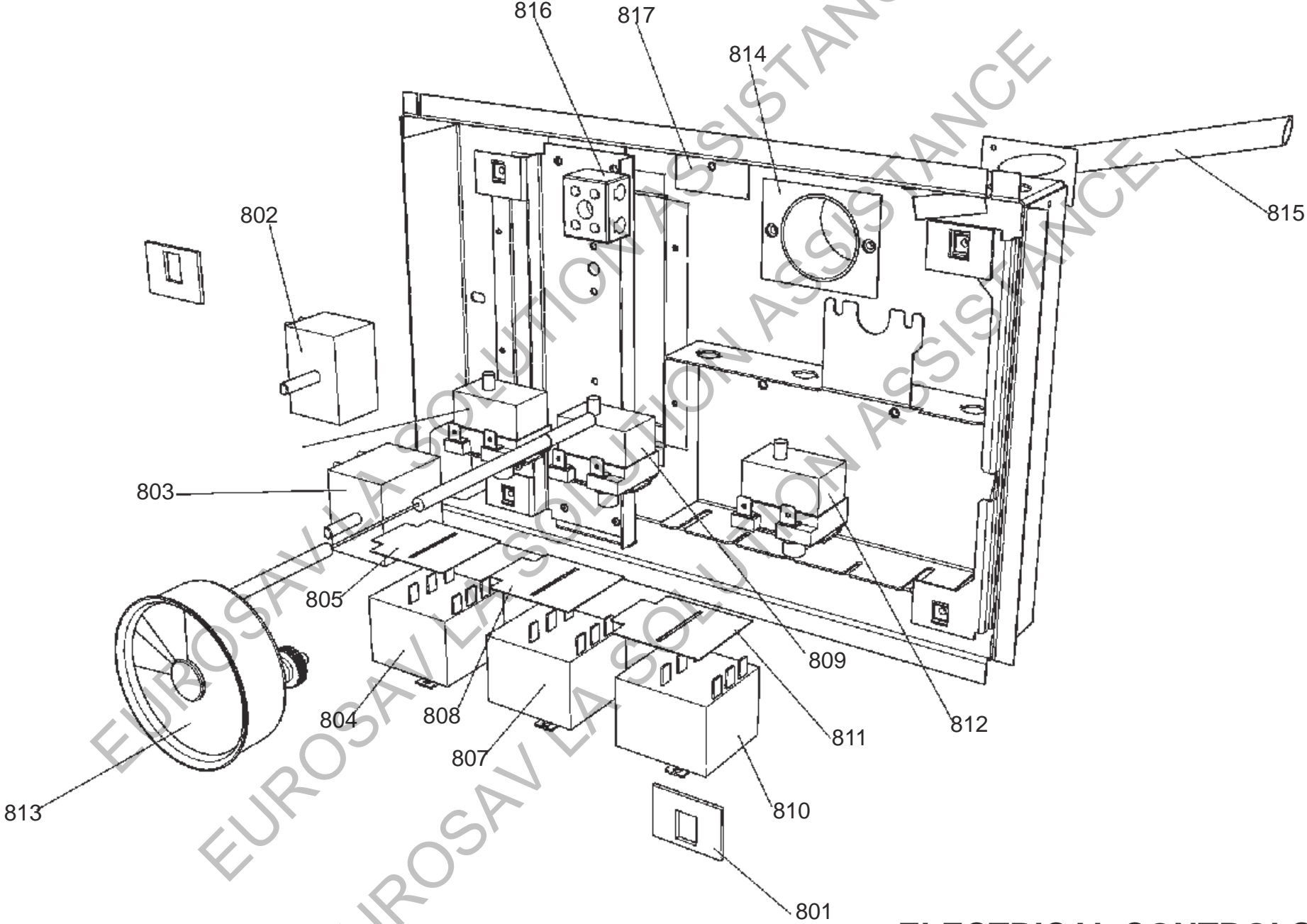


ROAST AND SIMMERING OVEN ASSEMBLY



AGA DUAL CONTROL Dc3

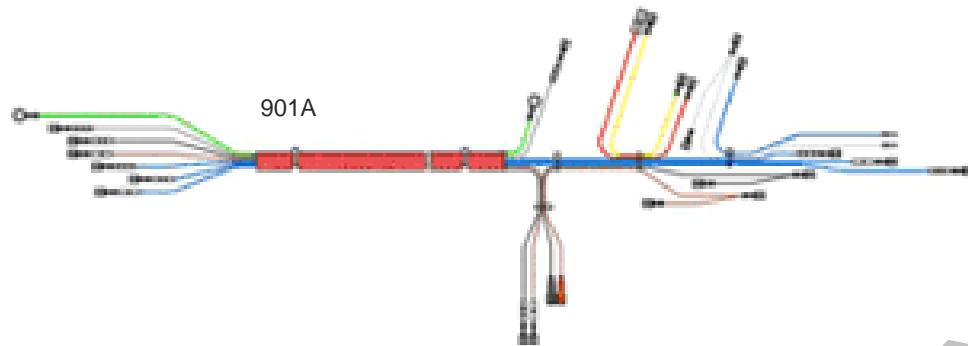
10-15 LPRT 516782 P08



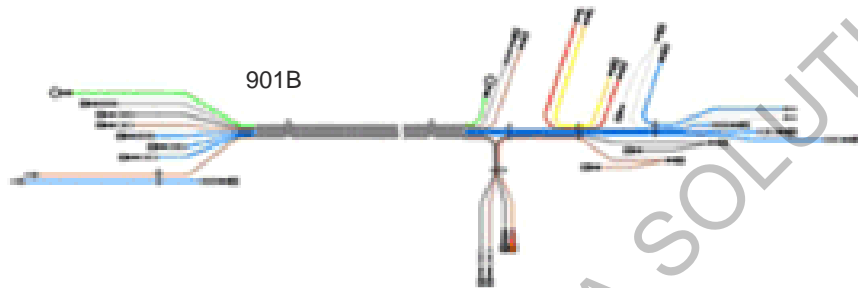
ELECTRICAL CONTROLS

AGA DUAL CONTROL Dc3

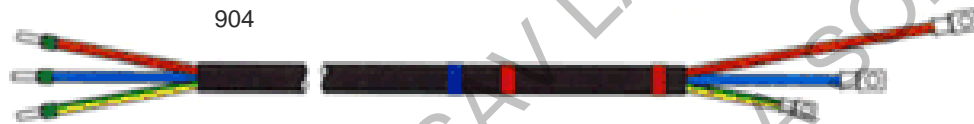
10-15 LPRT 516782 P09



EXT. VENT WIRING HARNESS AE4M 231227



ROOM VENT WIRING HARNESS AE4M231430



MAINS CABLE AE4M280216



HOTSPOT HARNESS AE4M231359



HOTPLATE EART AE4M231361



HOTPLATE EART AE4M231362

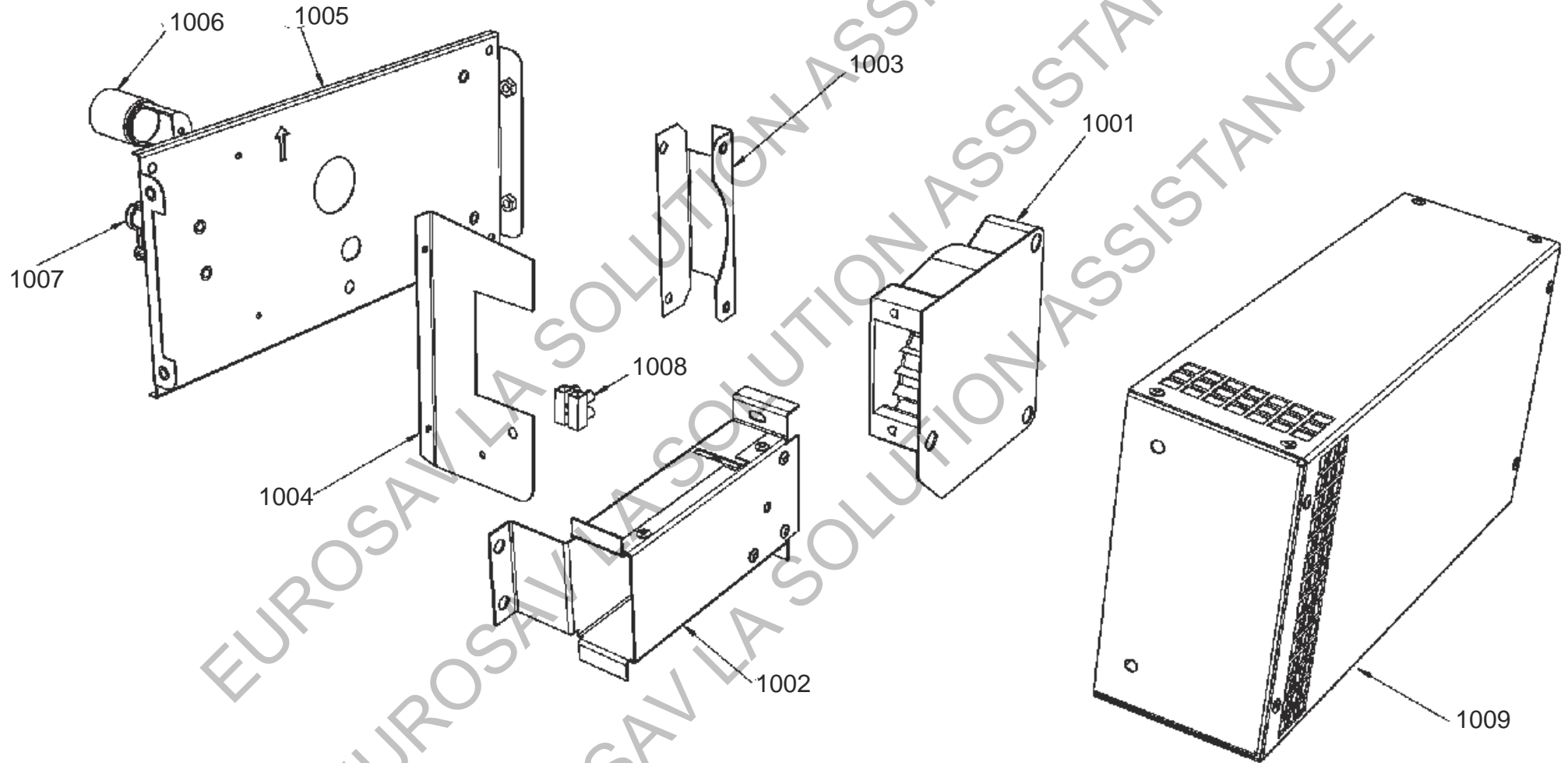


SIMMERSPOT HARNESS AE4M231360

WIRING LOOMS

AGA DUAL CONTROL Dc3

10-15 LPRT 516782 P10



OVEN VENT FAN ASSY