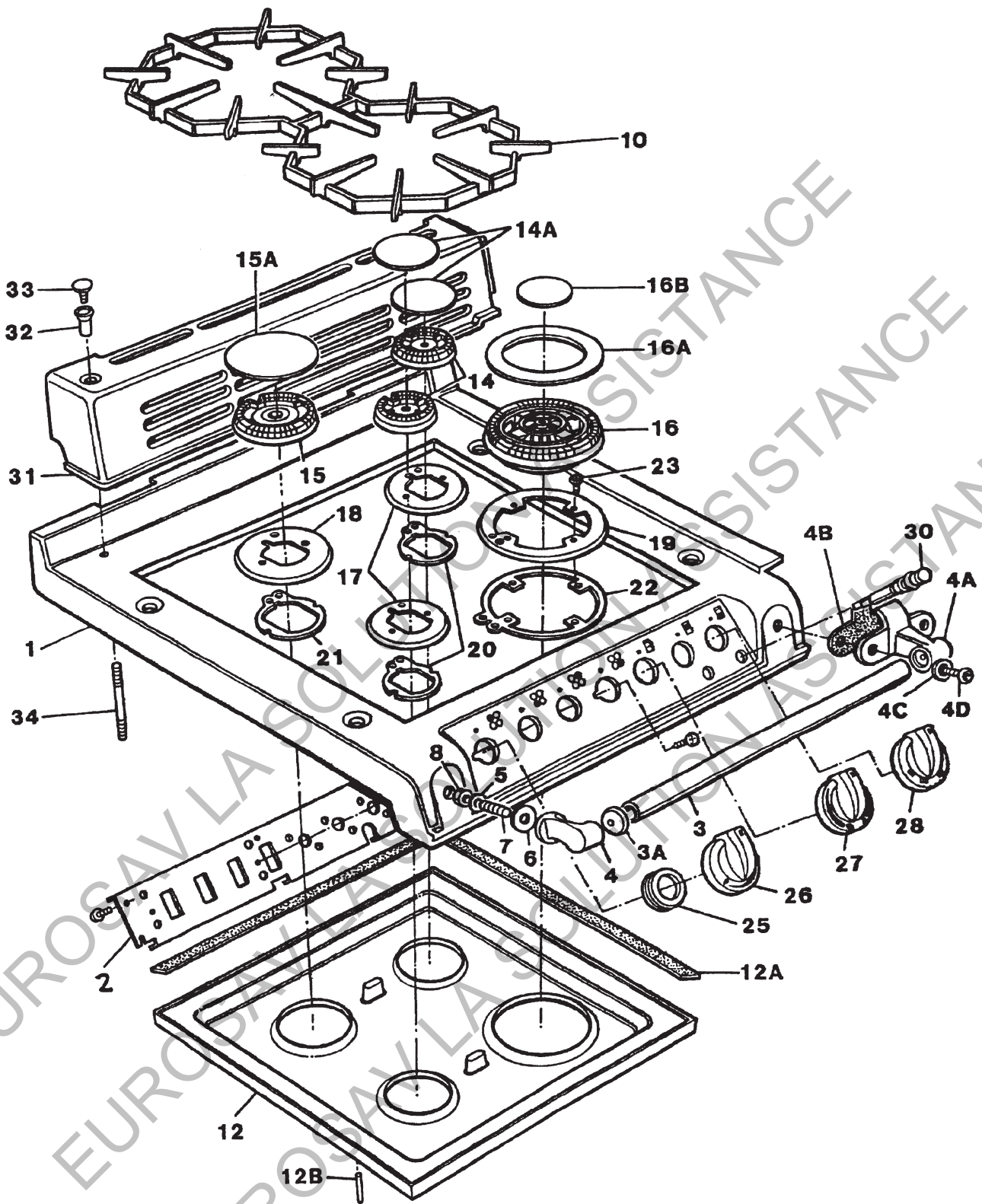
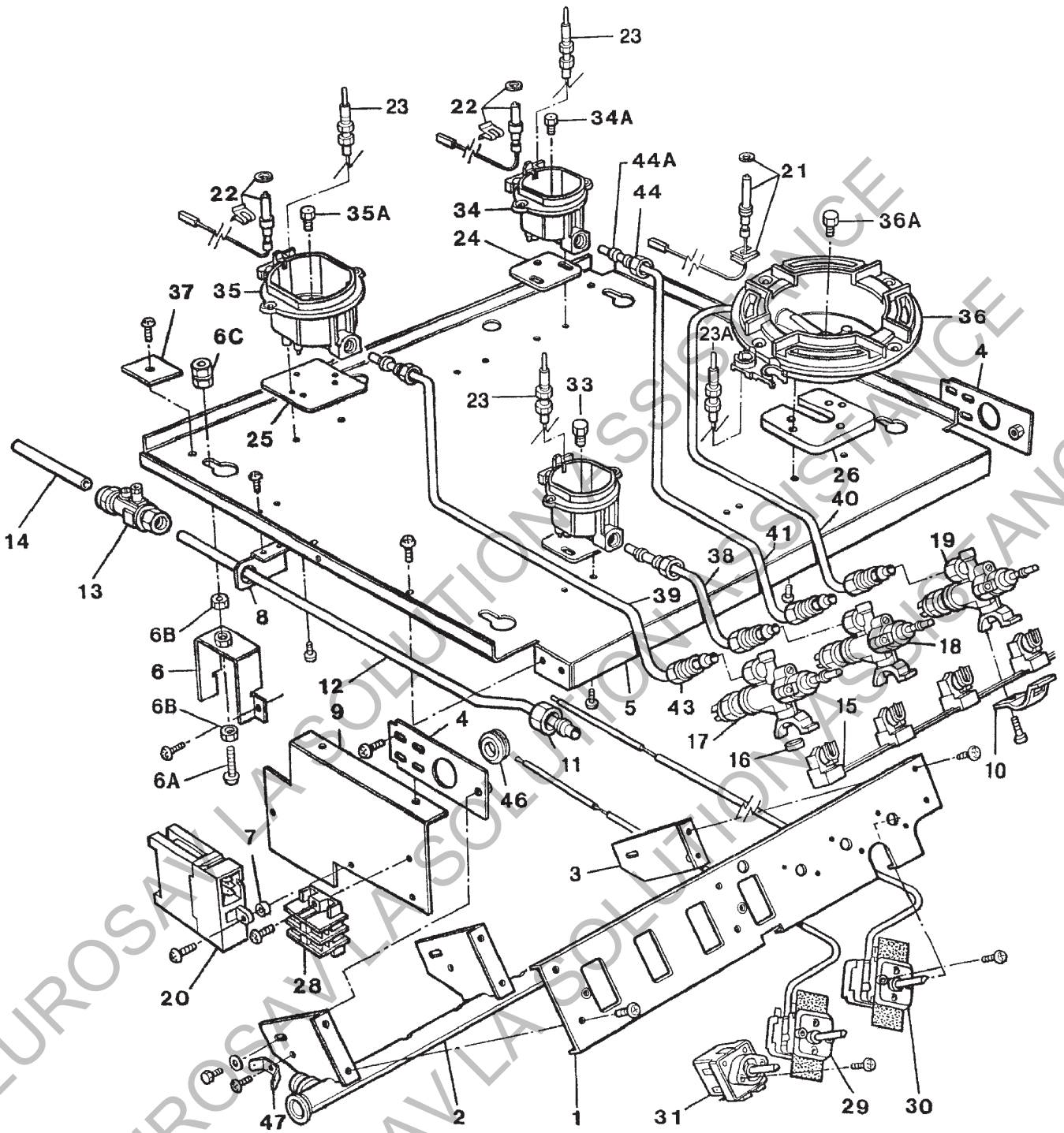


**AGA ELECTRIC
MODULE
WITH GAS HOB
(FFD'S)**

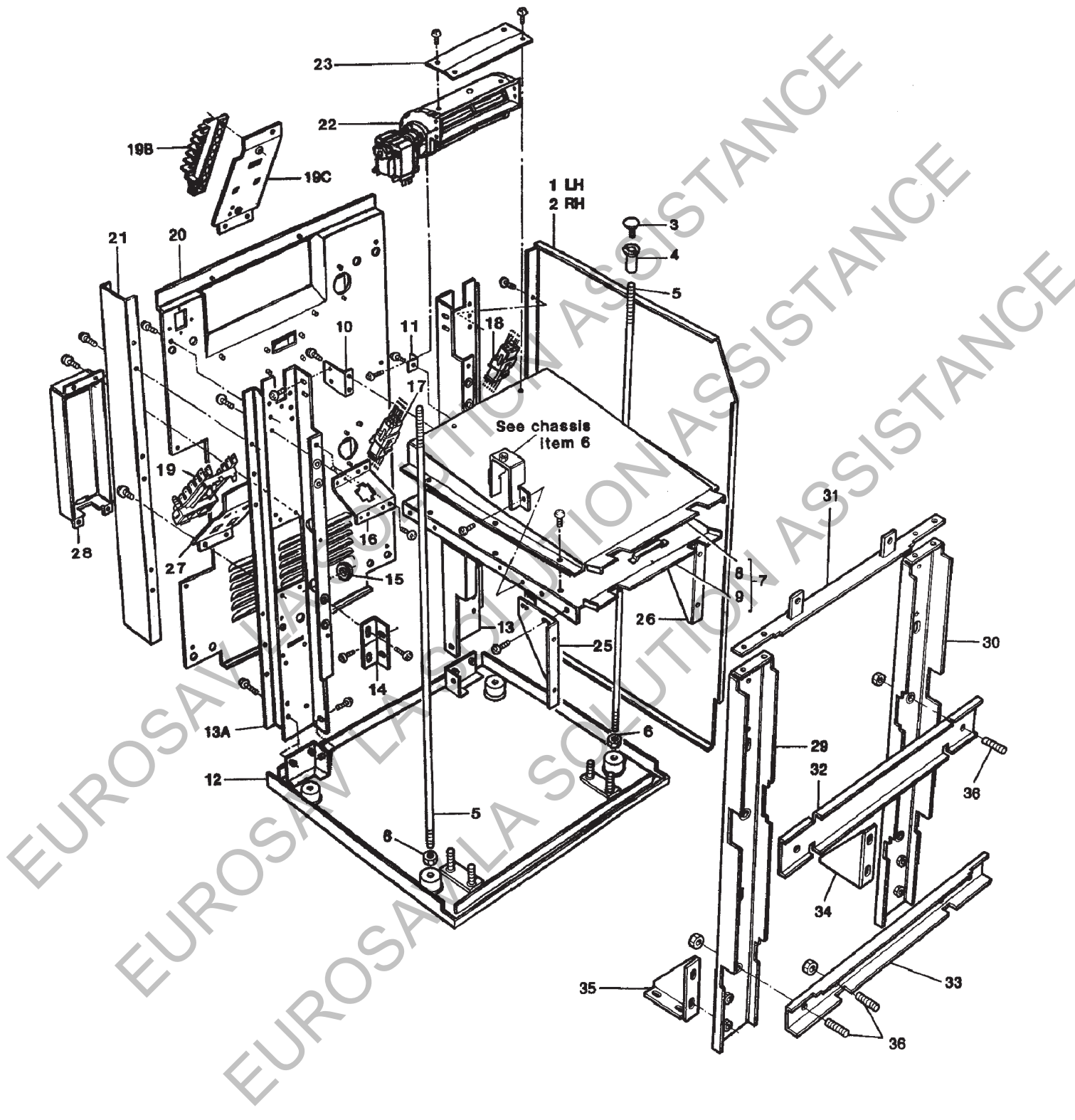
***SPARE PARTS
MANUAL***



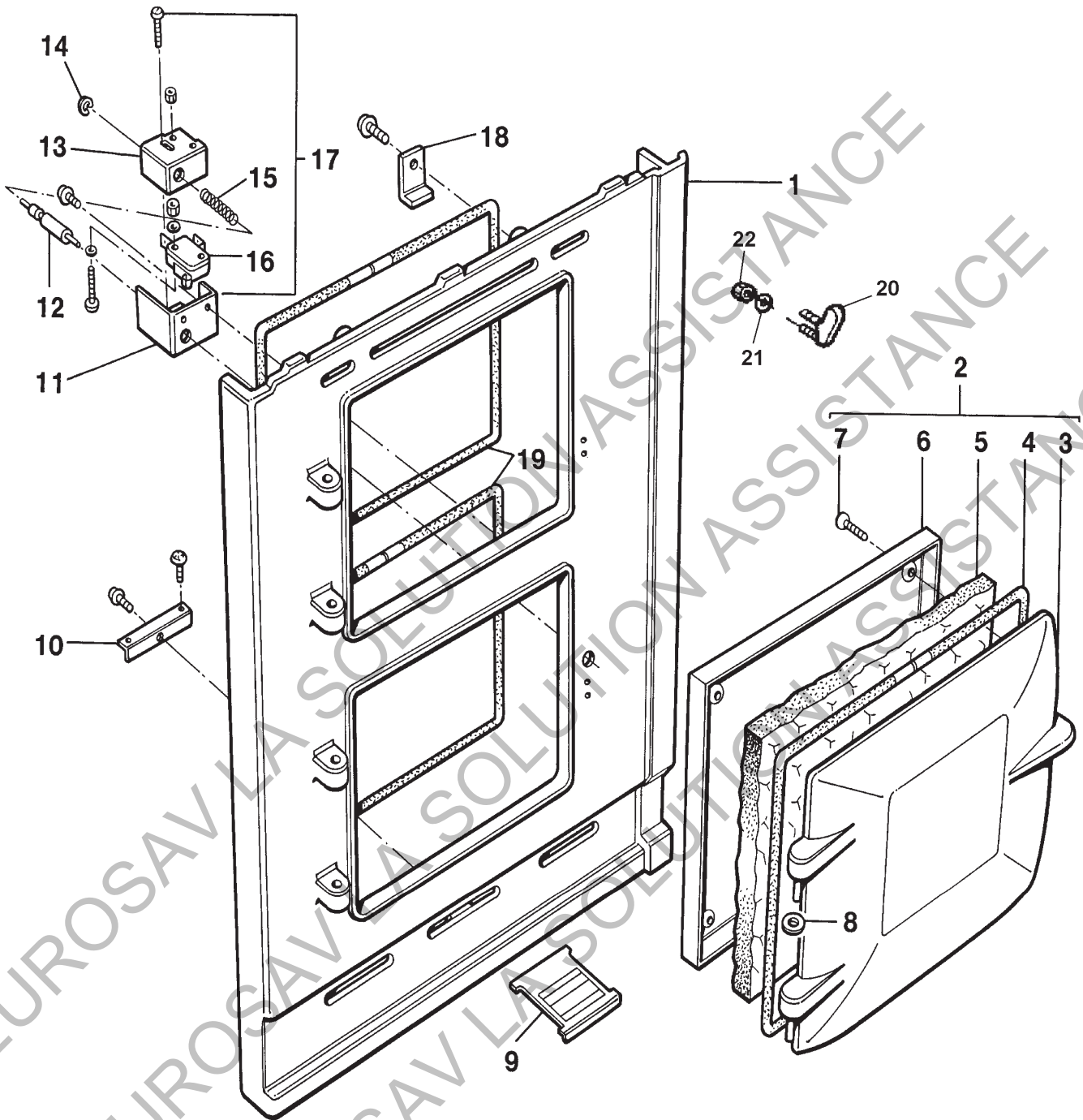
TOP PLATE & HOTPLATE PARTS
 AGA ELECTRIC MODULE WITH GAS HOB (FFD'S)



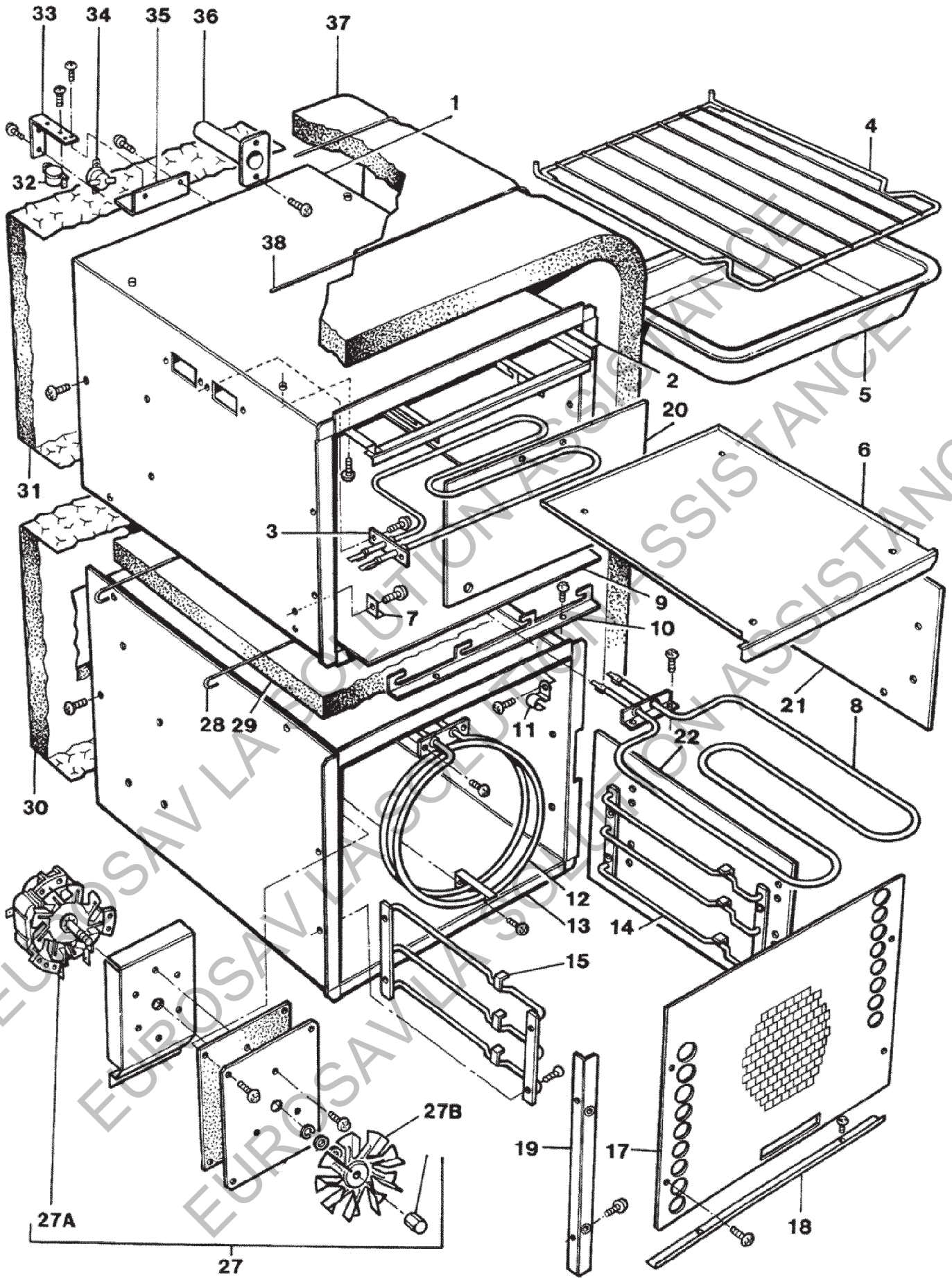
CHASSIS PARTS
 AGA ELECTRIC MODULE WITH GAS HOB (FFD'S)



BASE, BACK PLATE & COOLING DUCT ASSEMBLY
AGA ELECTRIC MODULE WITH GAS HOB (FFD'S)



FRONT PLATE & DOOR ASSEMBLY
 AGA ELECTRIC MODULE WITH GAS HOB (FFD'S)



TOP & BOTTOM OVEN ASSEMBLIES
 AGA ELECTRIC MODULE WITH GAS HOB (FFD'S)