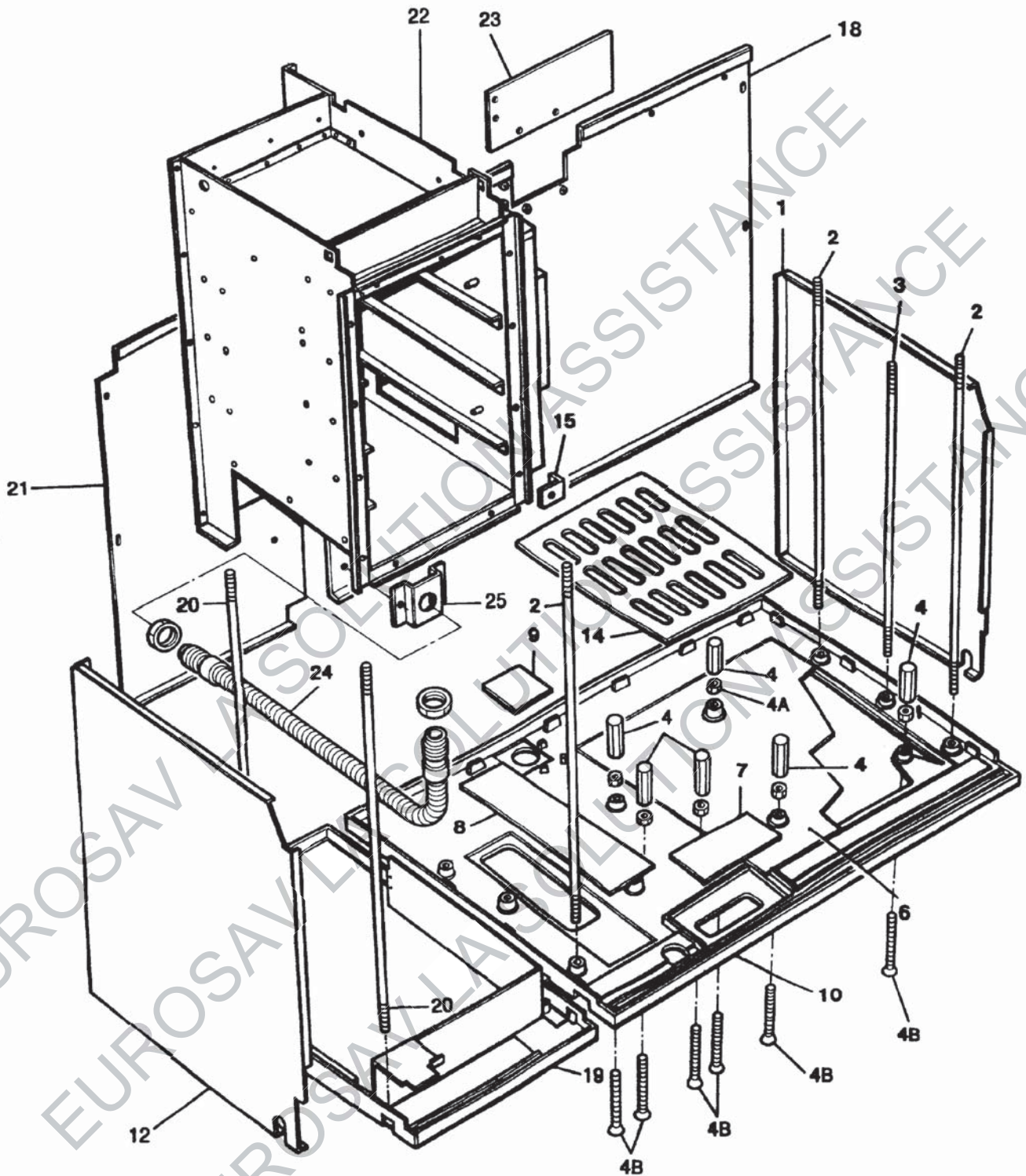
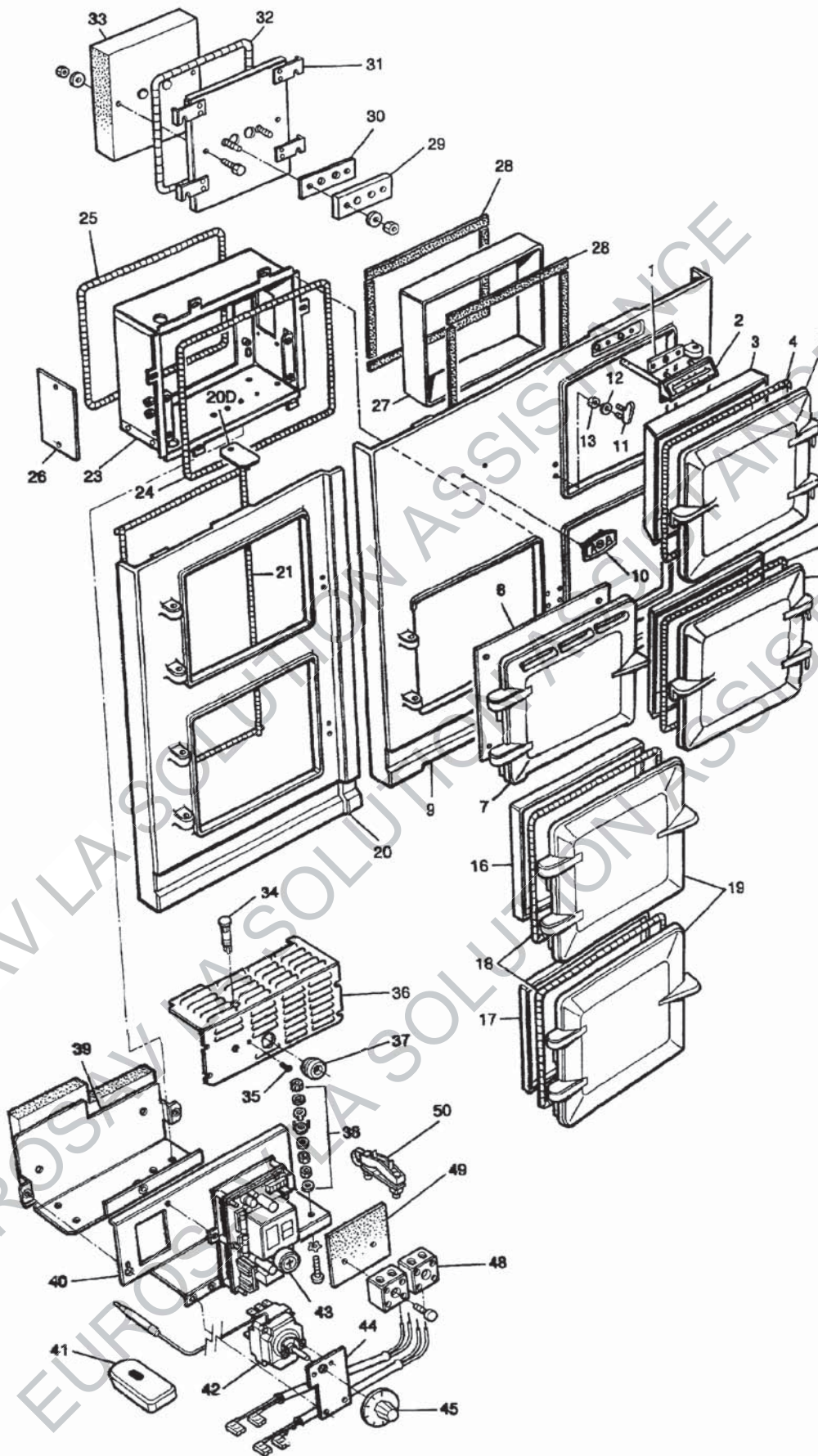


**AGA ELECTRIC
EE-LM (13 AMP)
4 OVEN
(EXTENDED VENT)**

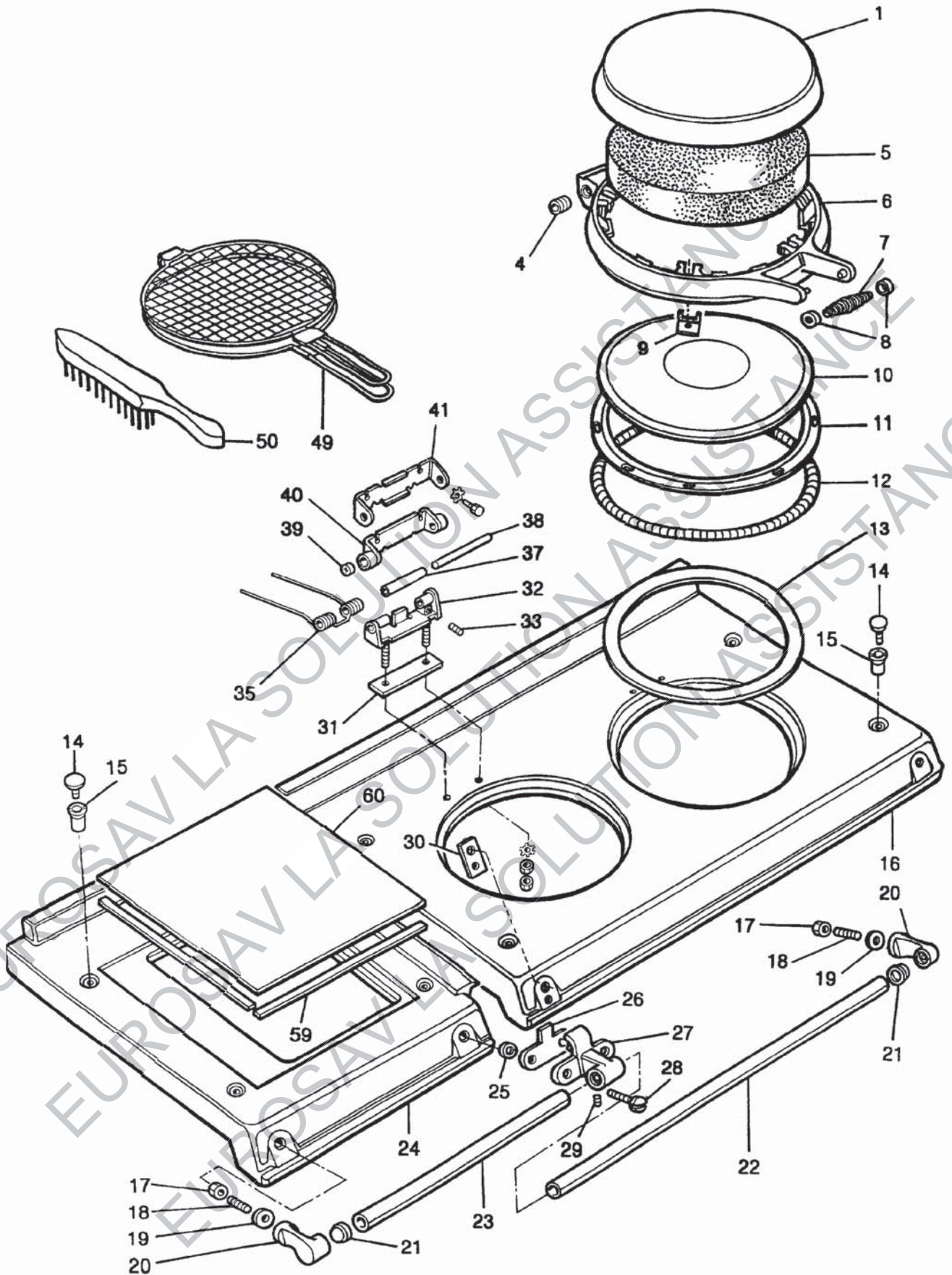
***SPARE PARTS
MANUAL***



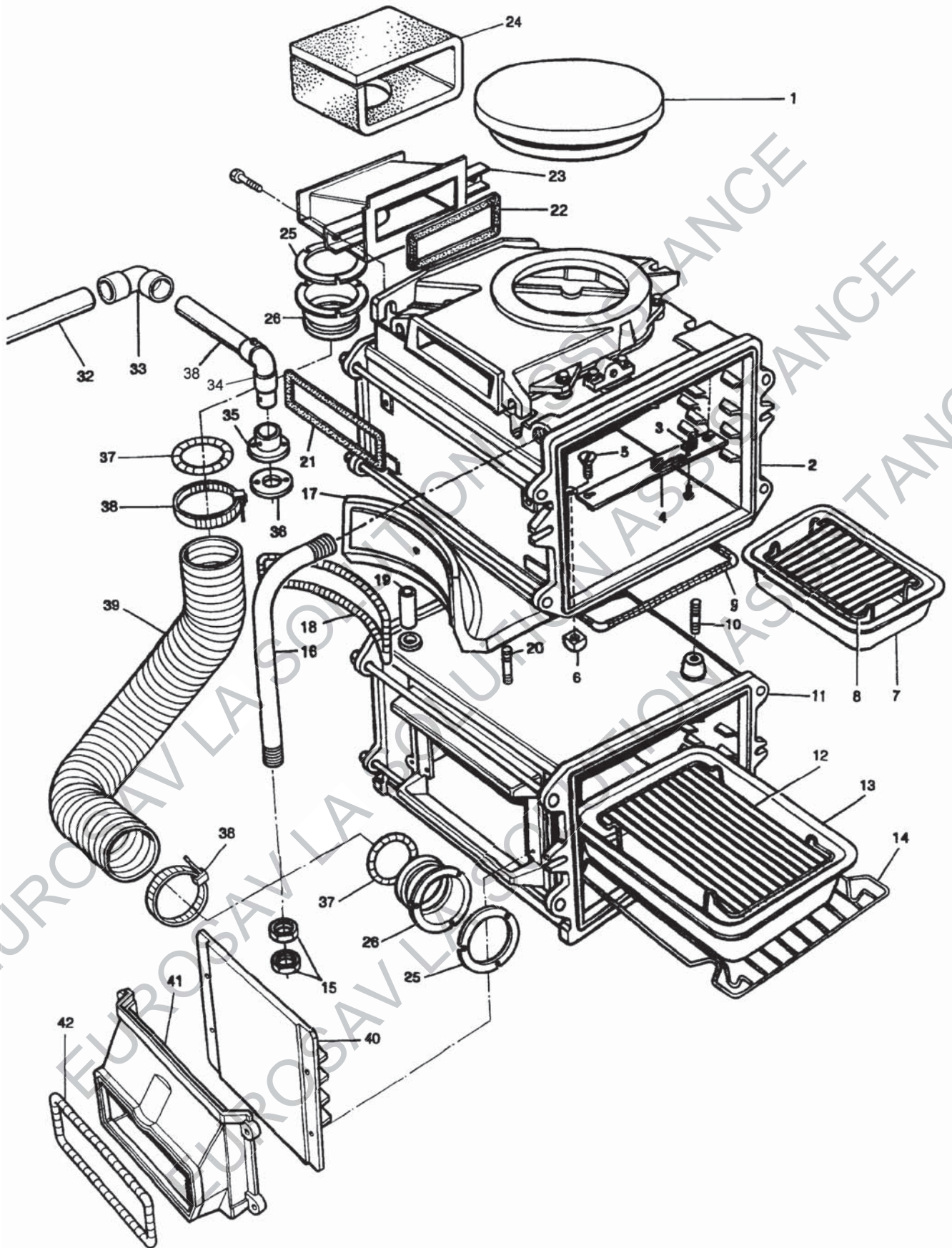
AGA ELECTRIC EE-LM (13 AMP) 4 OVEN (EXT. VENT)
 BASE, SIDES AND BACKPLATE



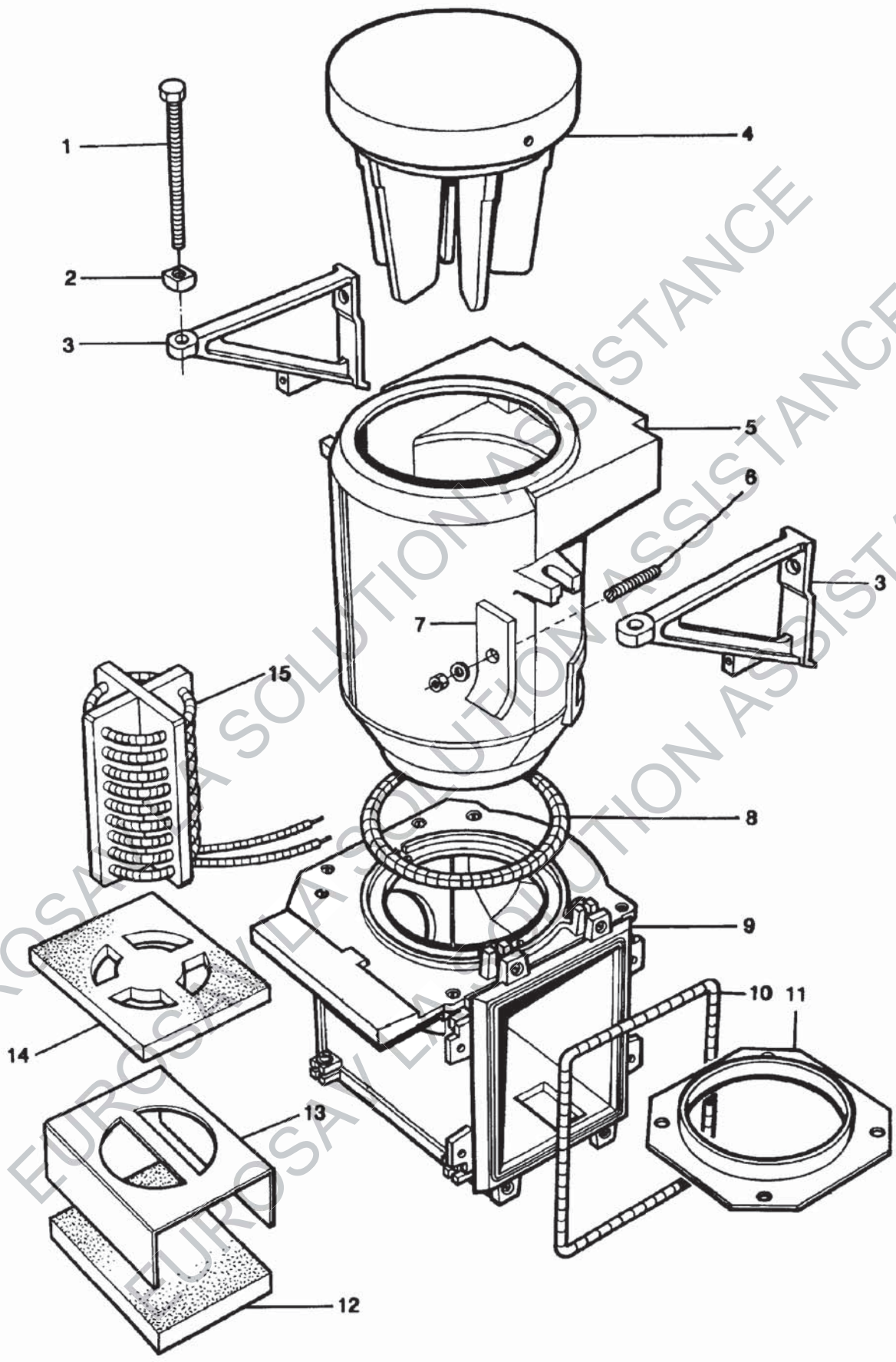
AGA ELECTRIC EE-LM (13 AMP) 4 OVEN (EXT. VENT)
FRONT PLATE & DOORS



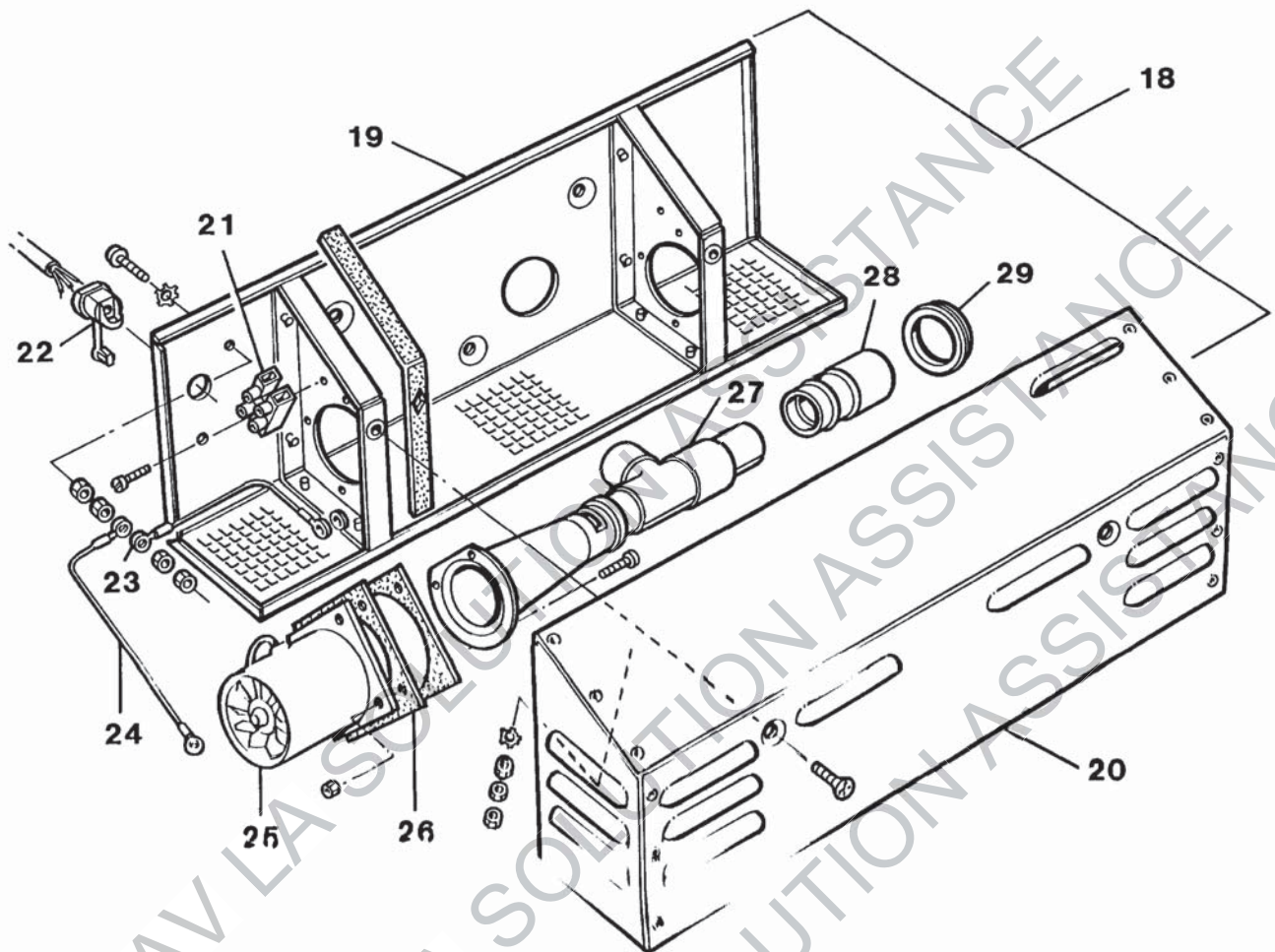
AGA ELECTRIC EE-LM (13 AMP) 4 OVEN (EXT. VENT)
 TOP PLATE, INSULATING LIDS, SHROUD, WIRING ASSY



AGA ELECTRIC EE-LM (13 AMP) 4 OVEN (EXT. VENT)
 OVENS, ACCESSORIES, SIMMERING PLATE, FAN ASSY



AGA ELECTRIC EE-LM (13 AMP) 4 OVEN (EXT. VENT)
HOTSPOT, FIRE BARREL & CHAMBER ASSEMBLY



AGA ELECTRIC EE-LM (13 AMP) 4 OVEN (EXT. VENT)
OVEN VENT FAN ASSEMBLY