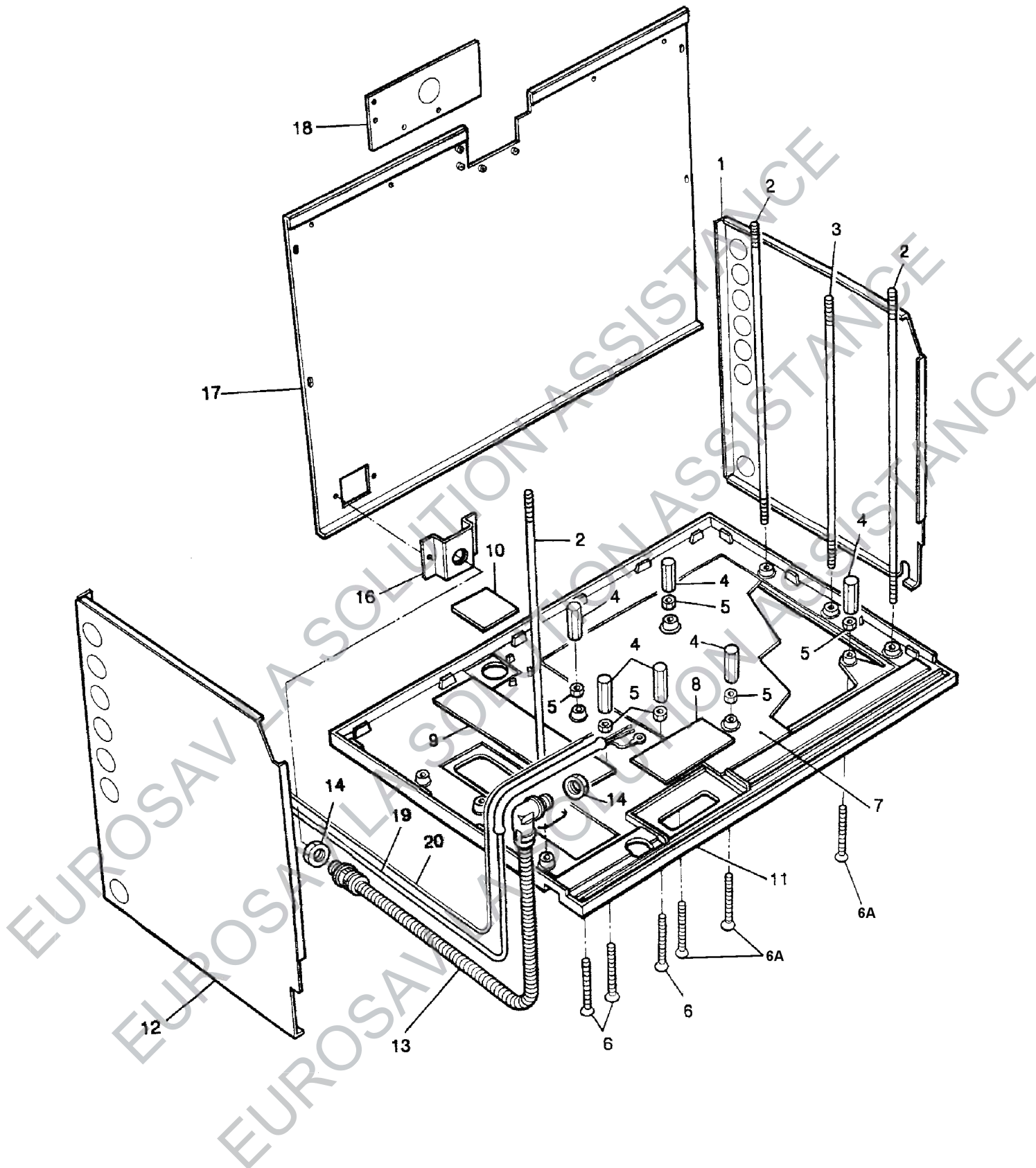
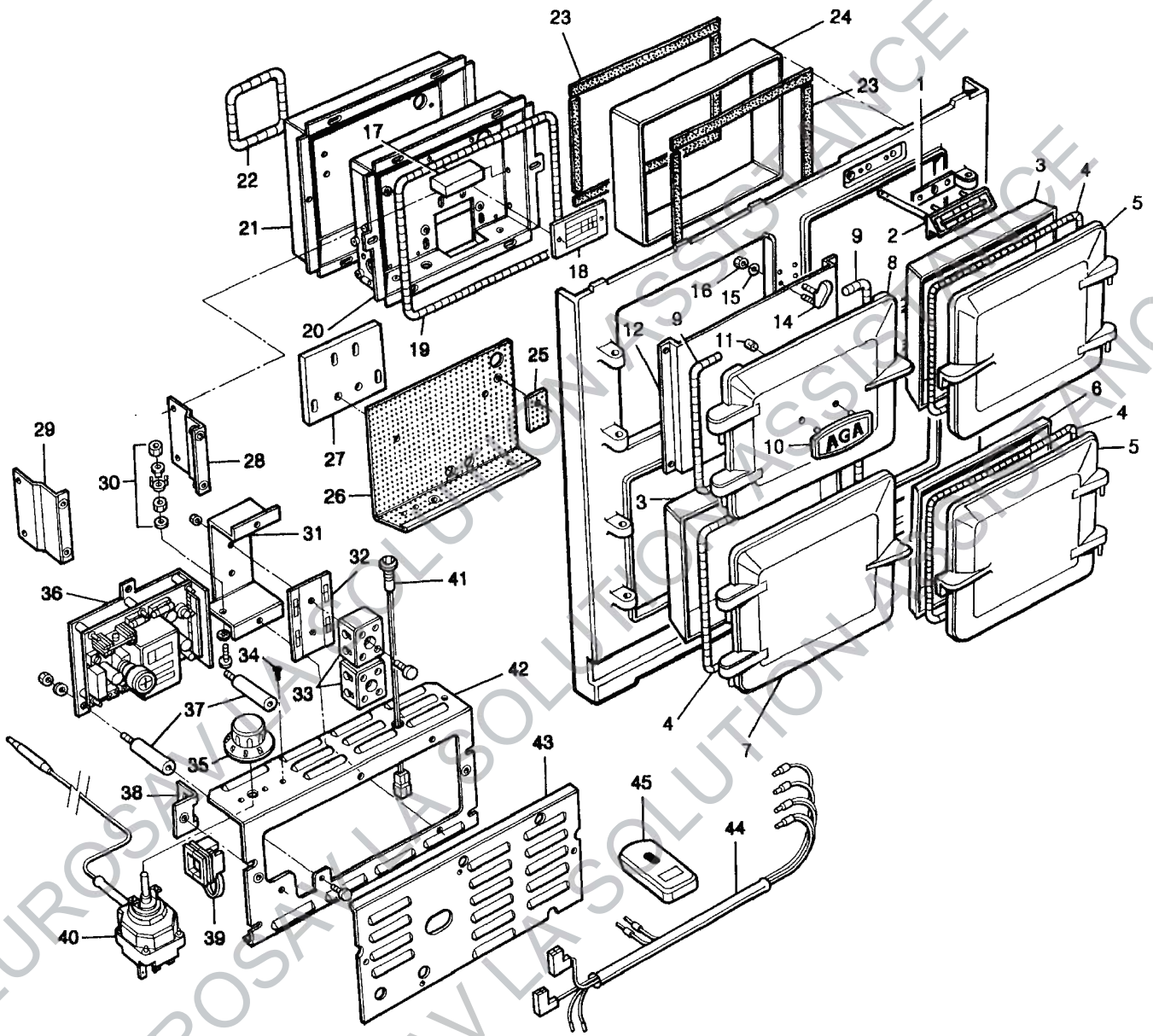


**AGA ELECTRIC
EC3 (LM) 13 AMP
COOKER**

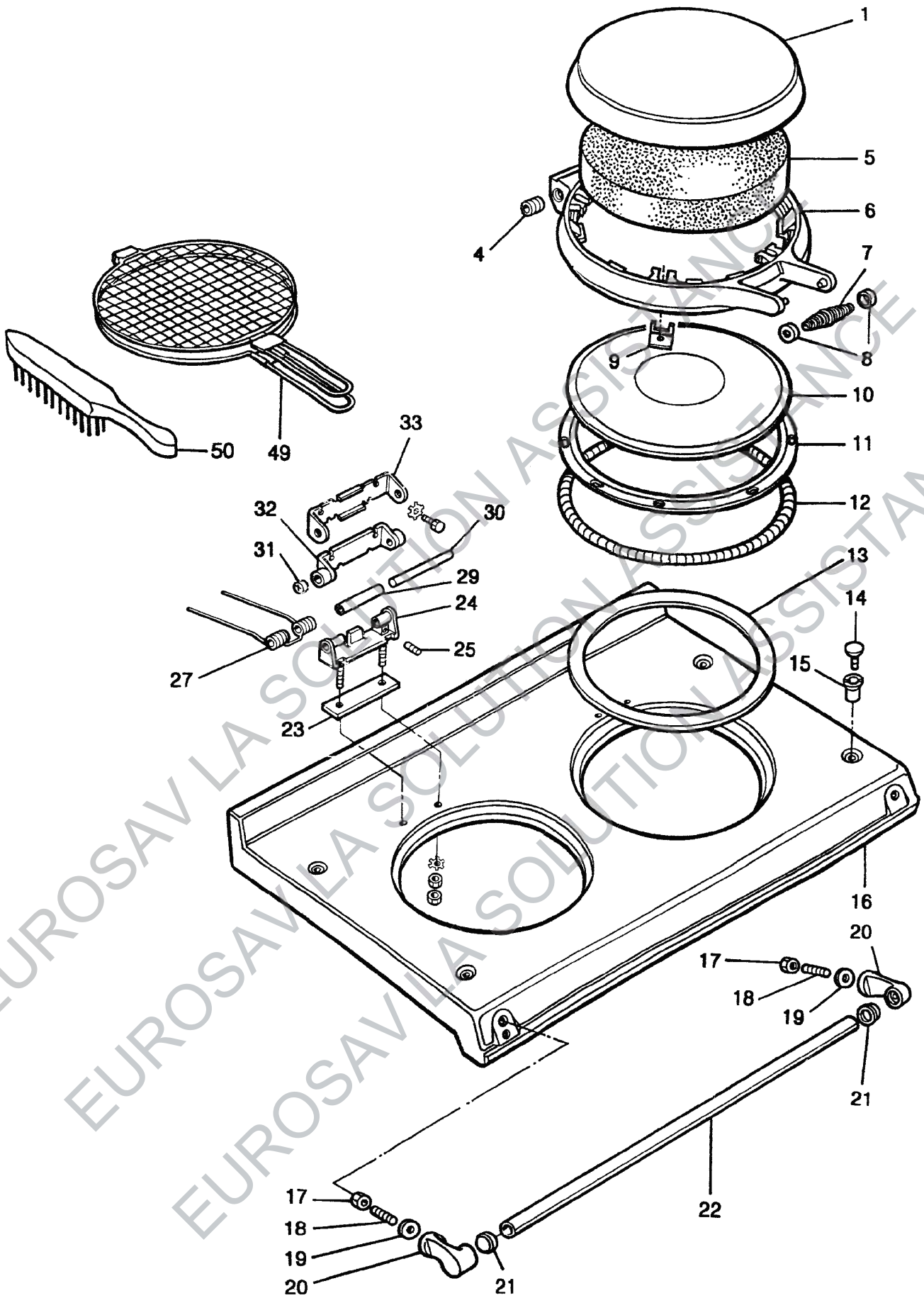
***SPARE PARTS
MANUAL***



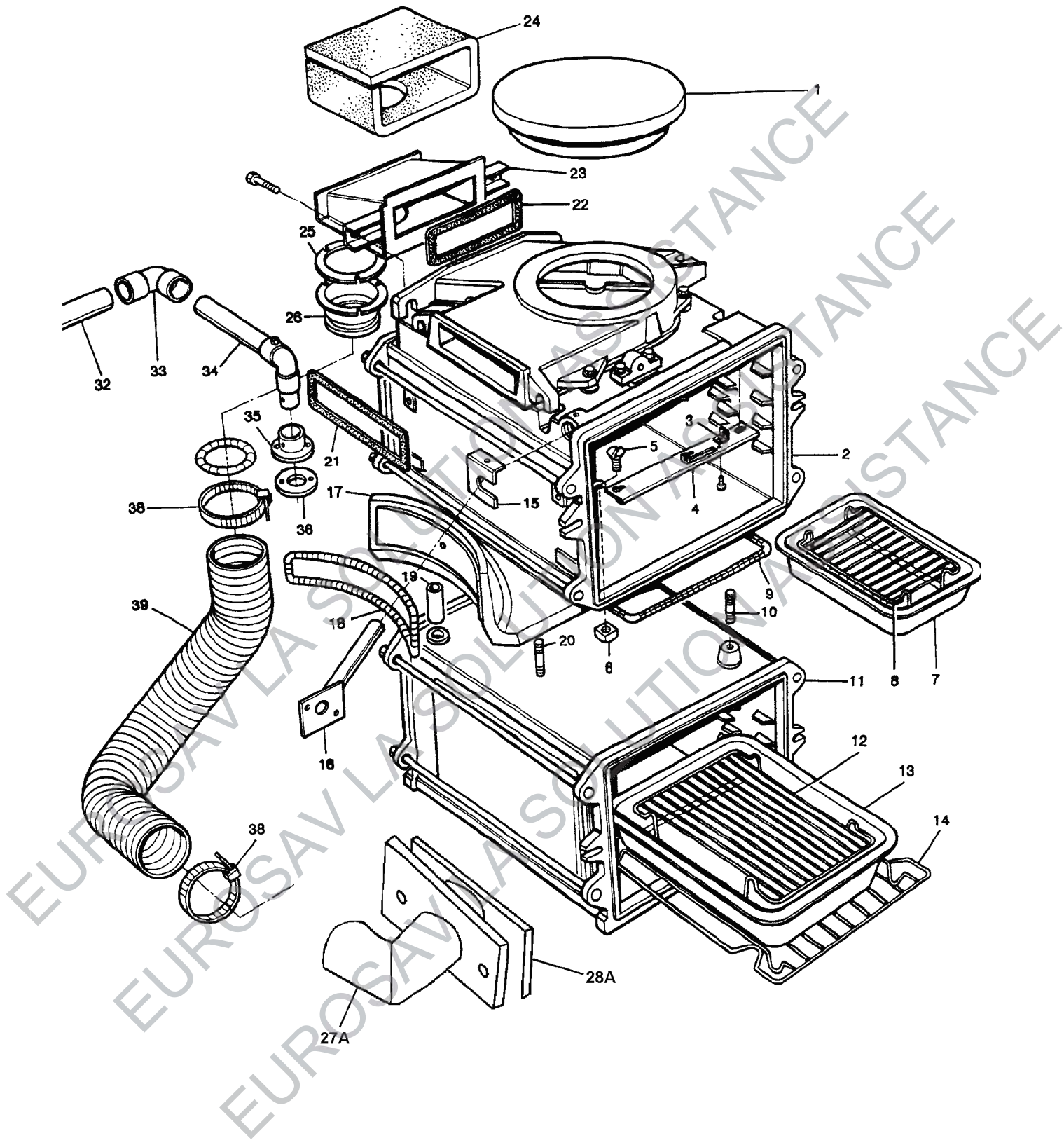
AGA EC3(LM) 13 AMP COOKER
BASE, SIDES AND BACKPLATE



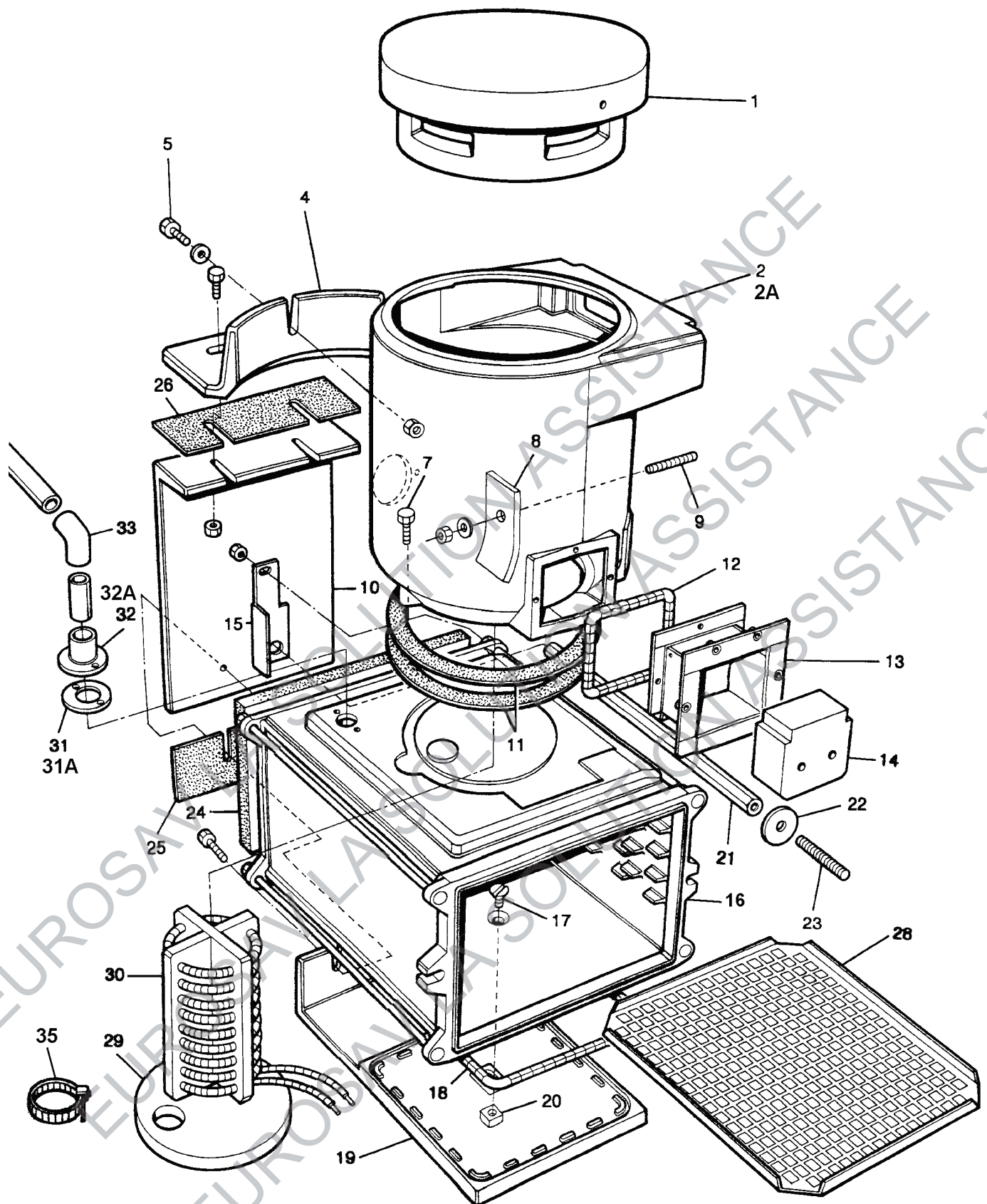
AGA EC3 (LM) 13 AMP COOKER
FRONT PLATE & DOORS



AGA EC3 (LM) 13 AMP COOKER
 TOP PLATE, INSULATING LIDS, SHROUD, WIRING ASSY



AGA EC3 (LM) 13 AMP COOKER
 ROASTING OVEN, SIMMERING OVEN



AGA EC3 (LM) 13 AMP COOKER
HOTSPOT, FIRE BARREL & BAKING OVEN