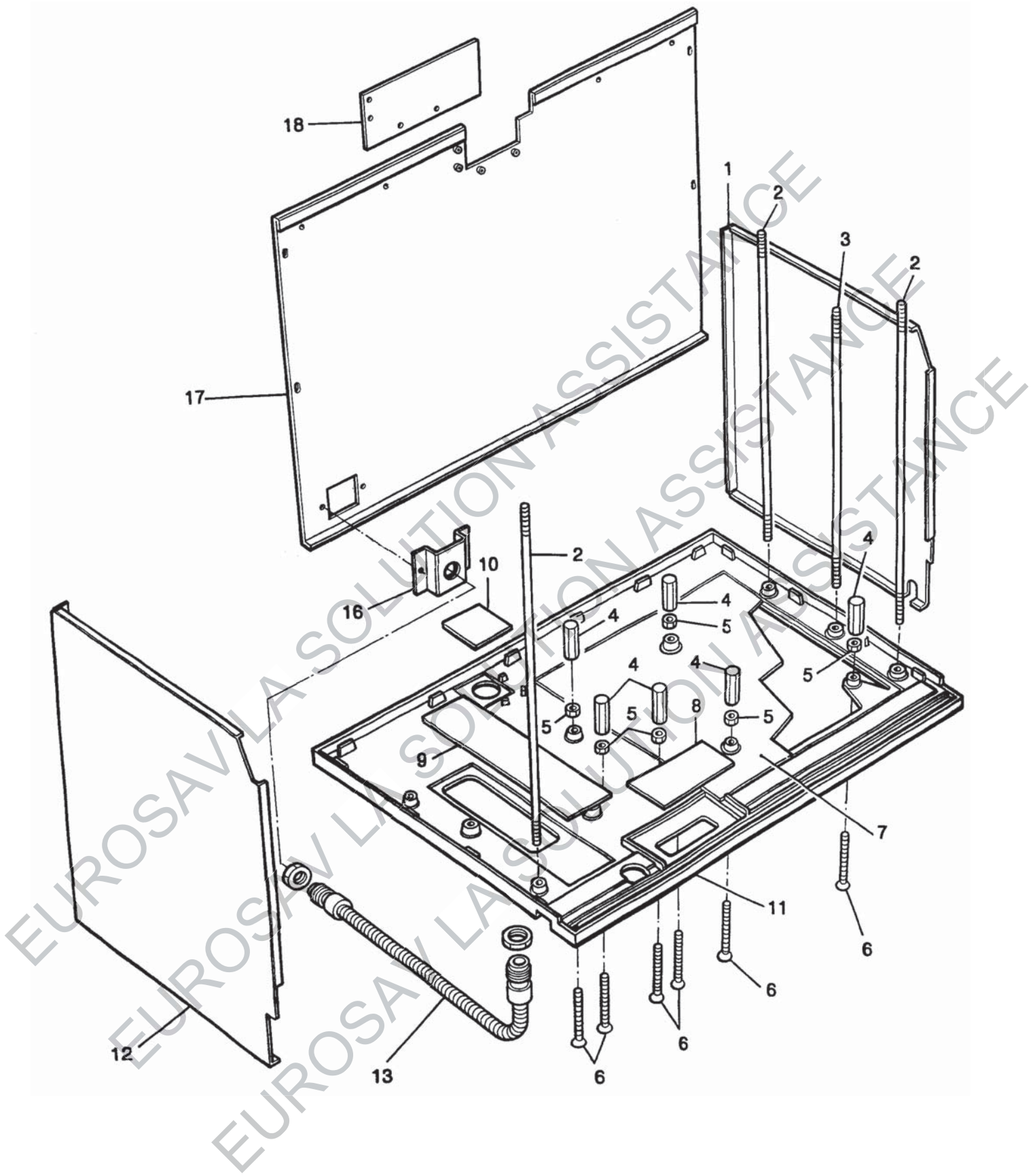
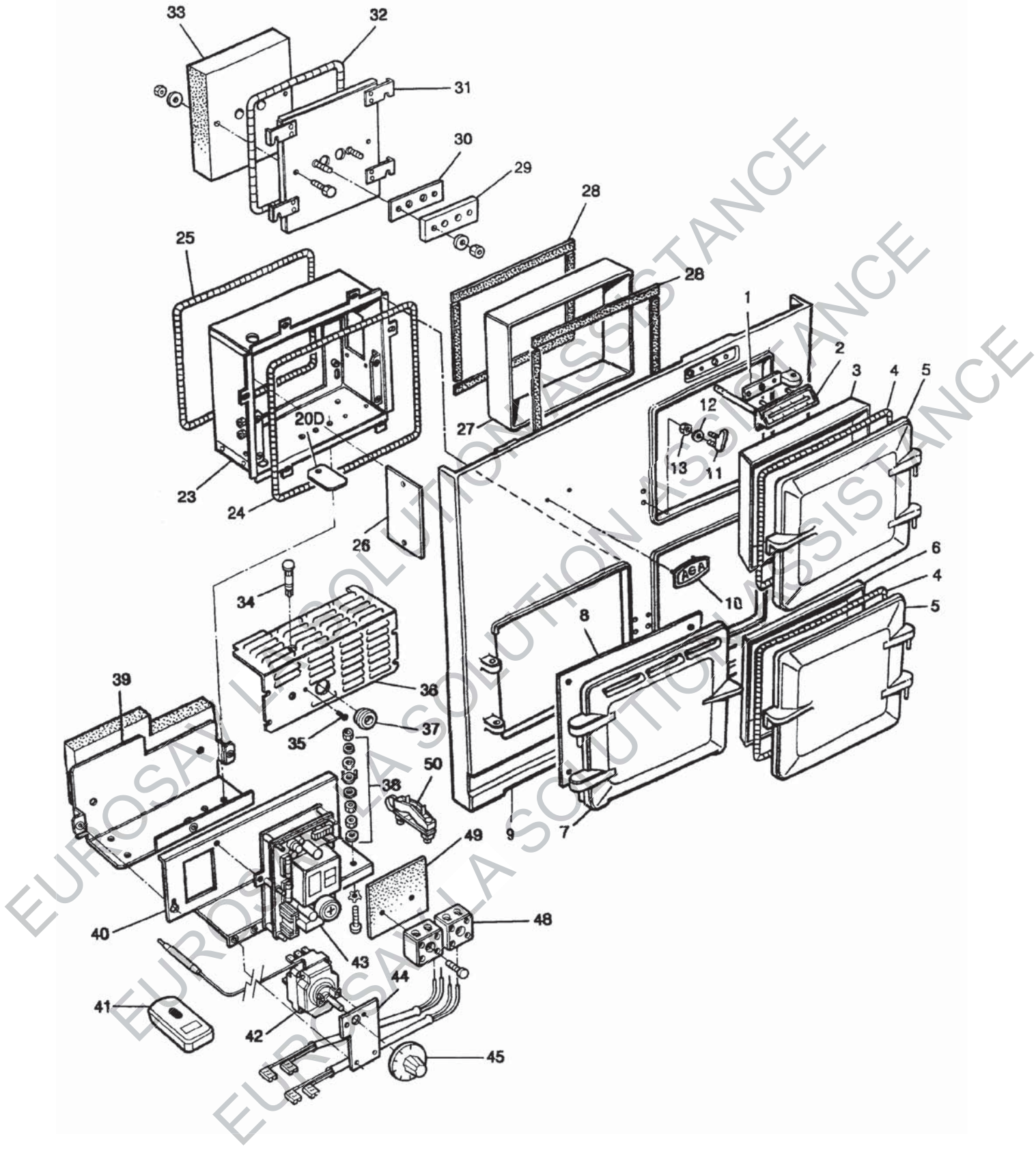


**AGA ELECTRIC
EC-LM 13 AMP
(EXTENDED VENT)**

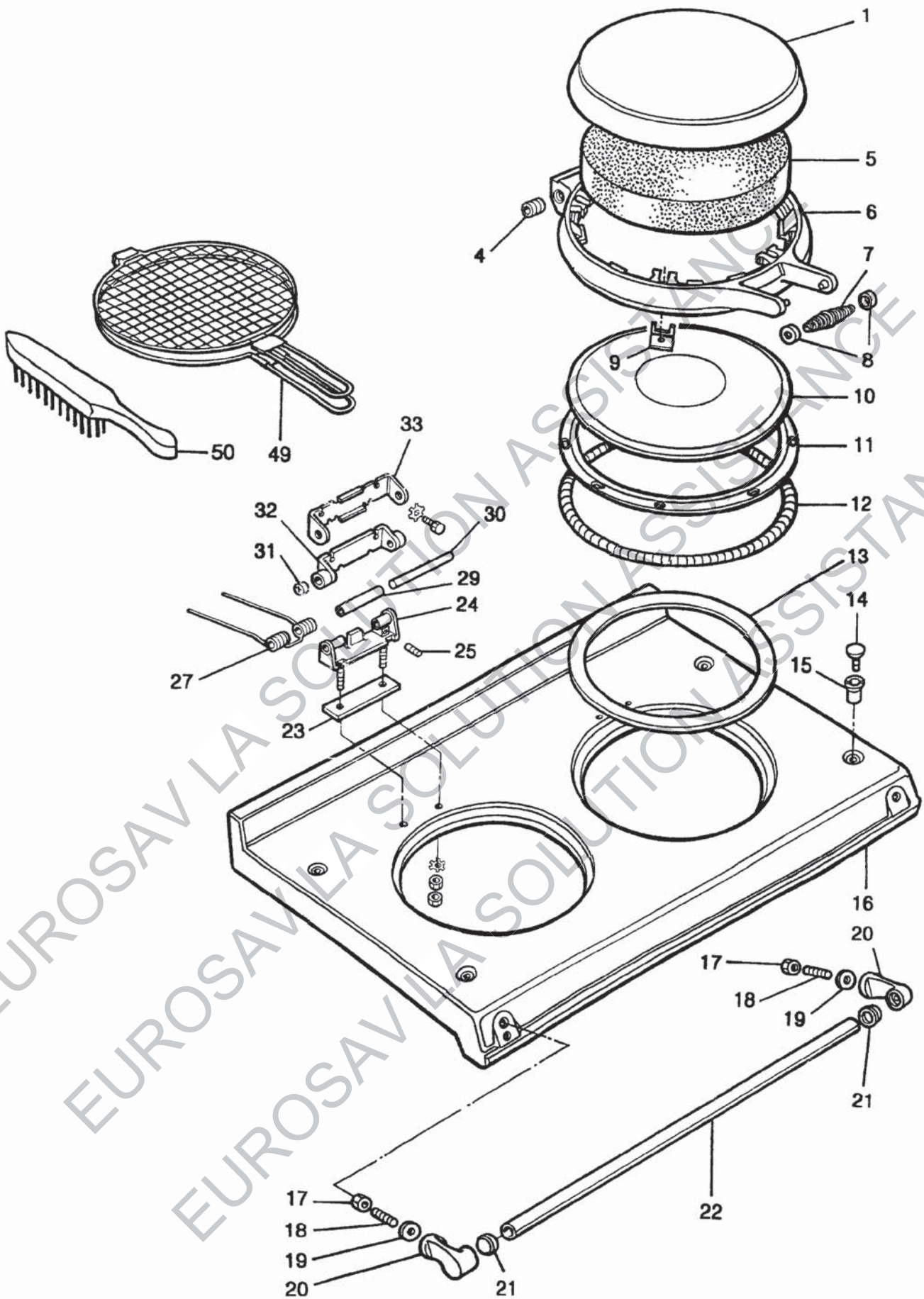
***SPARE PARTS
MANUAL***



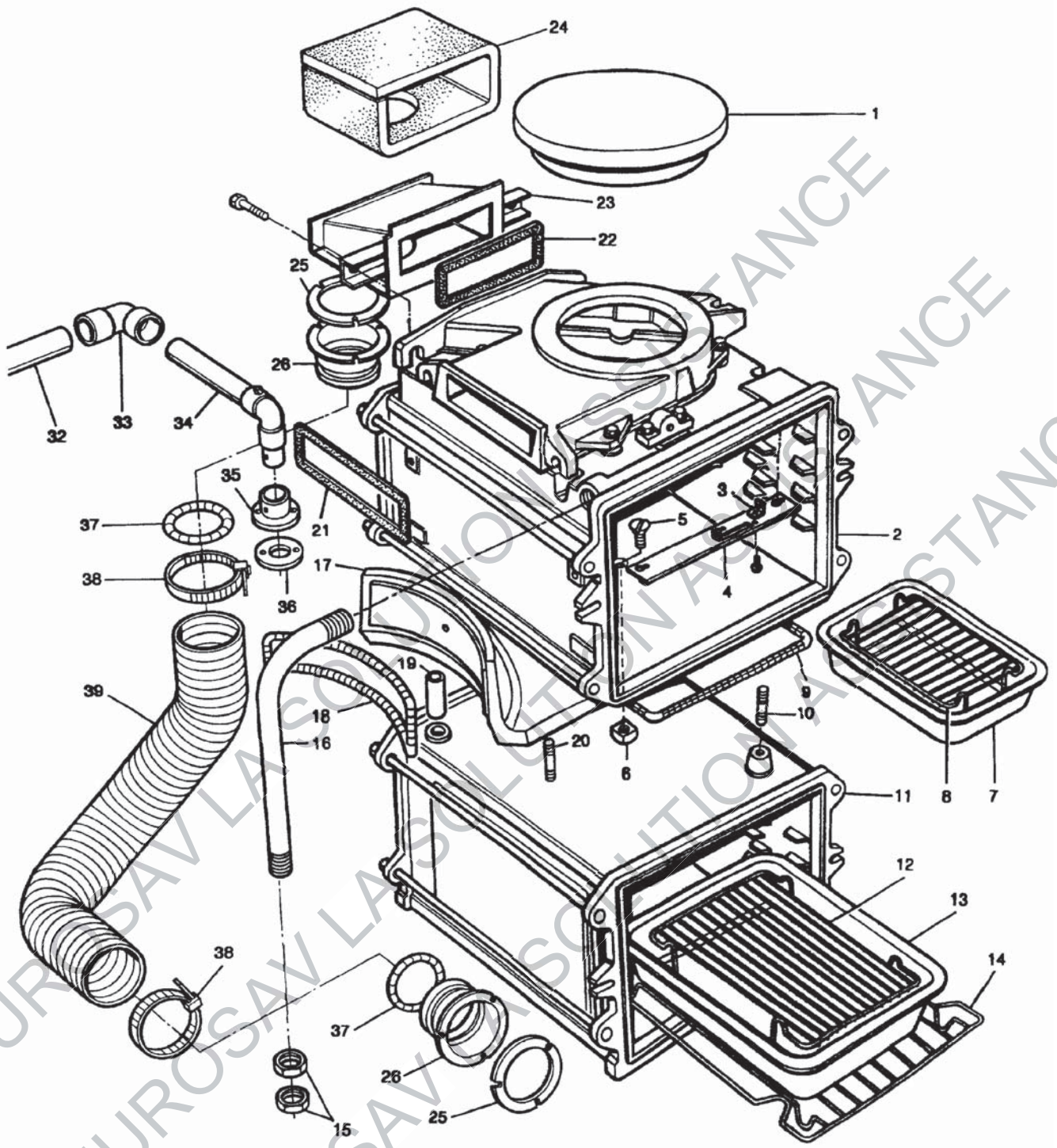
AGA ELECTRIC EC-LM (EXTENDED VENT)
BASE, SIDES AND BACKPLATE



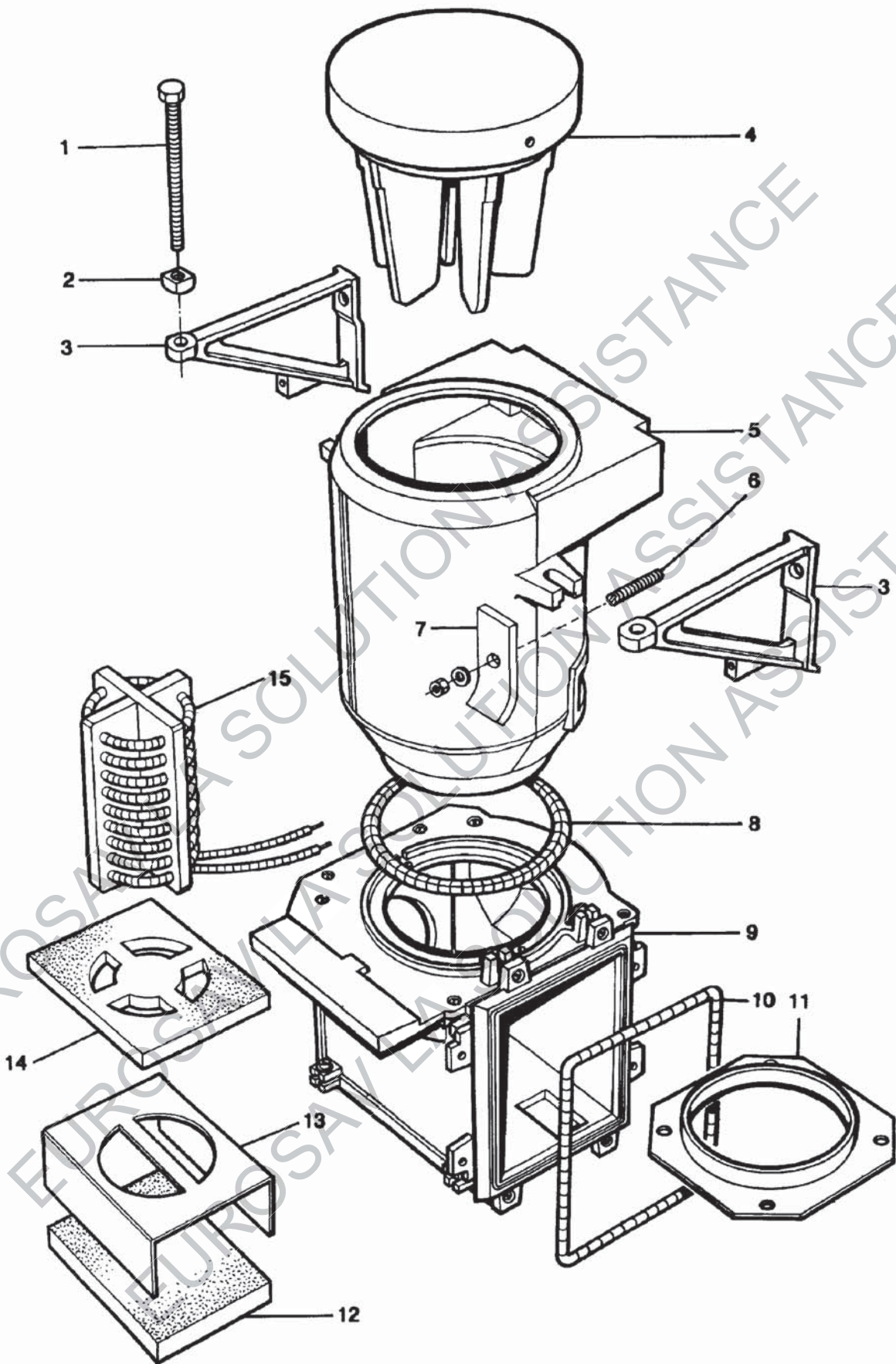
AGA ELECTRIC EC-LM (EXTENDED VENT)
FRONT PLATE & DOORS



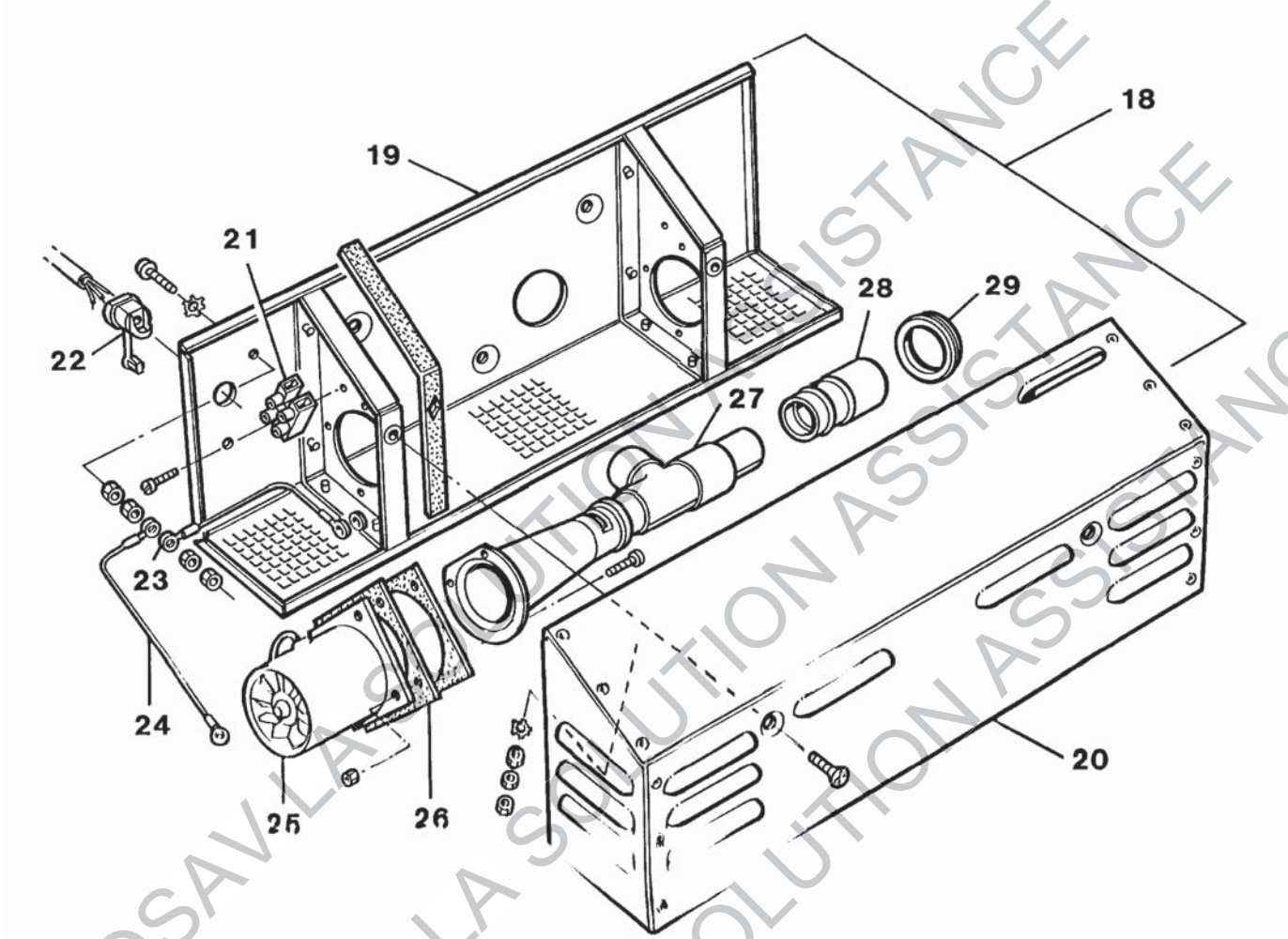
AGA ELECTRIC EC-LM (EXTENDED VENT)
TOP PLATE, INSULATING LIDS, SHROUD, WIRING ASSY



AGA ELECTRIC EC-LM (EXTENDED VENT)
OVENS, ACCESSORIES, SIMMERING PLATE



AGA ELECTRIC EC-LM (EXTENDED VENT)
HOTSPOT, FIRE BARREL & CHAMBER ASSEMBLY



AGA ELECTRIC EC-LM (EXTENDED VENT)
OVEN VENT FAN ASSY