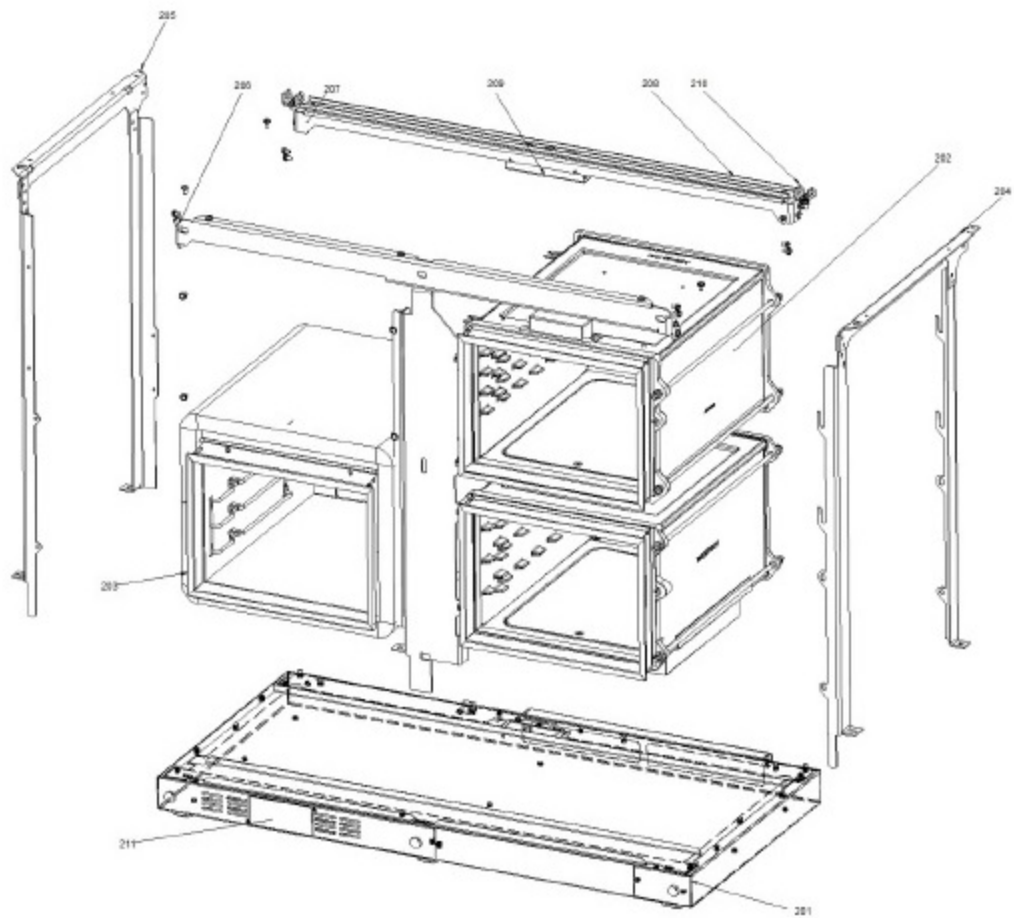
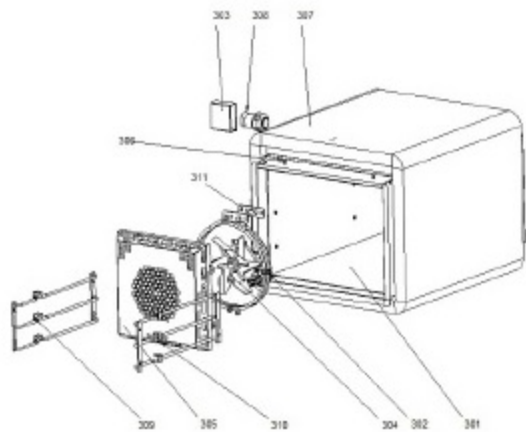


AGA ERA FRONT PLATE

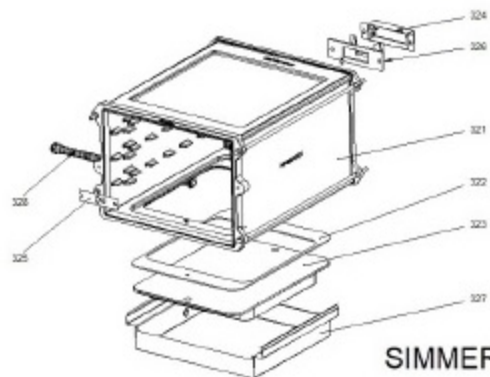
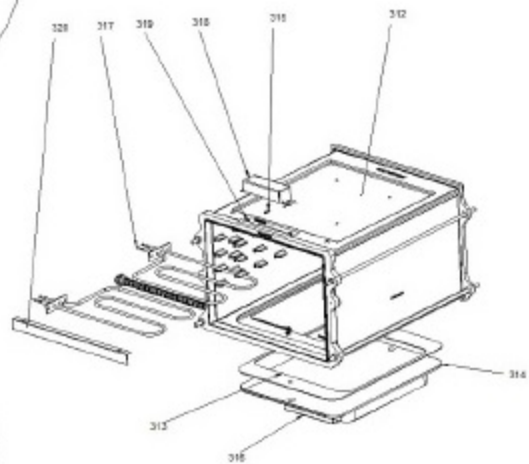


BASE AND CHASSIS

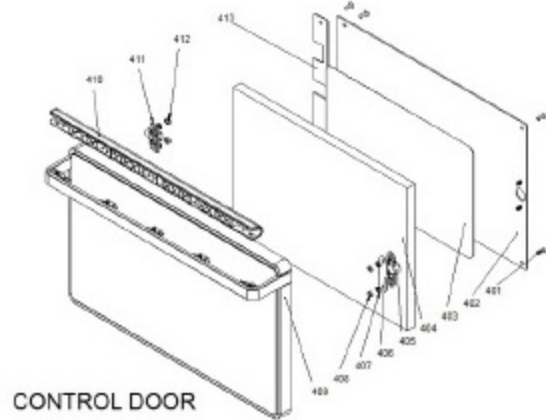
BOTTOM FAN OVEN



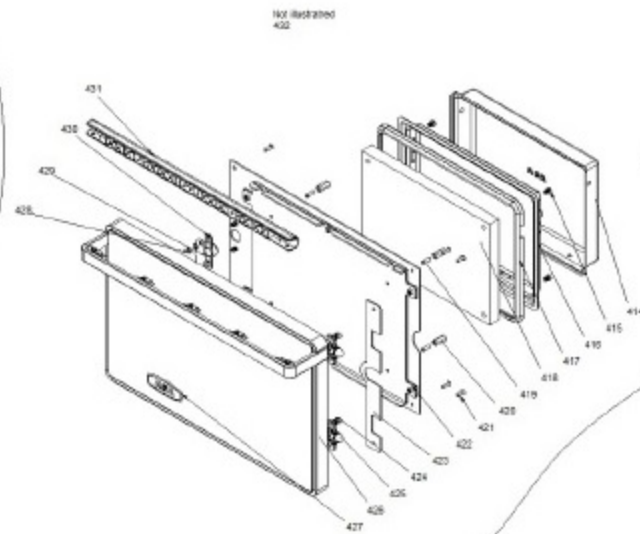
ROAST AND GRILL OVEN



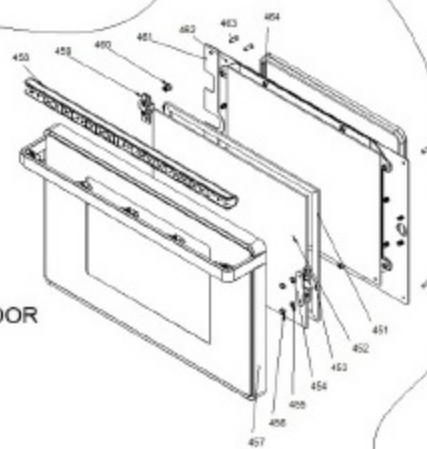
SIMMERING OVEN



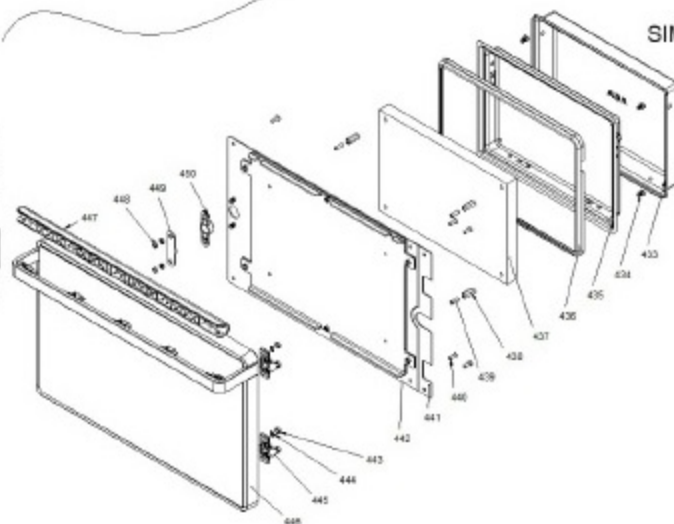
CONTROL DOOR



ROAST OVEN DOOR



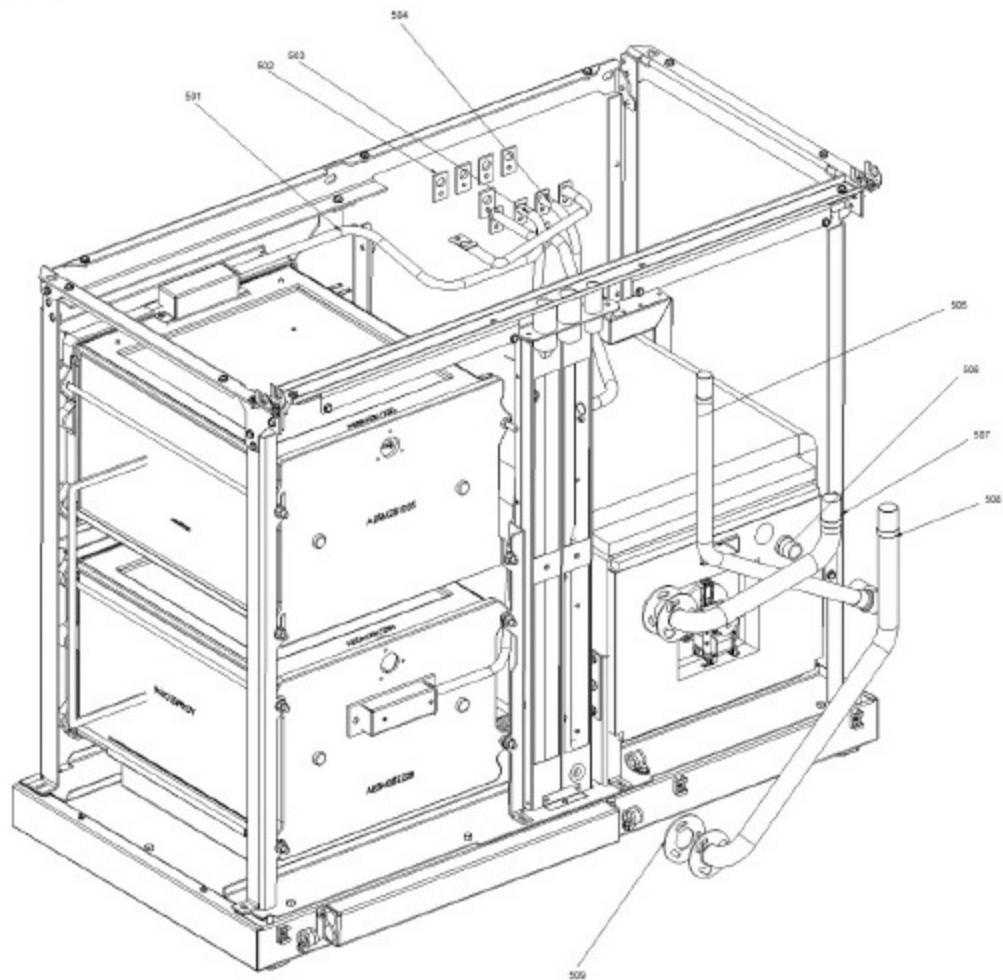
FAN OVEN DOOR



SIMMER OVEN DOOR

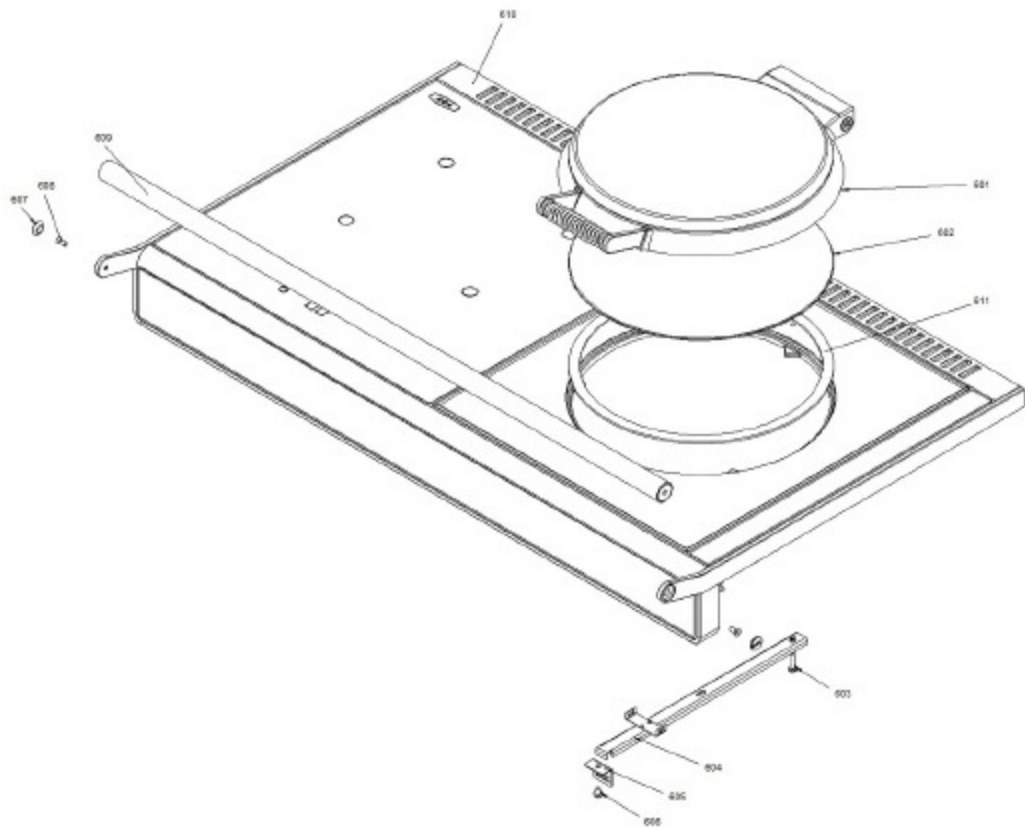
NOT ILLUSTRATED
402

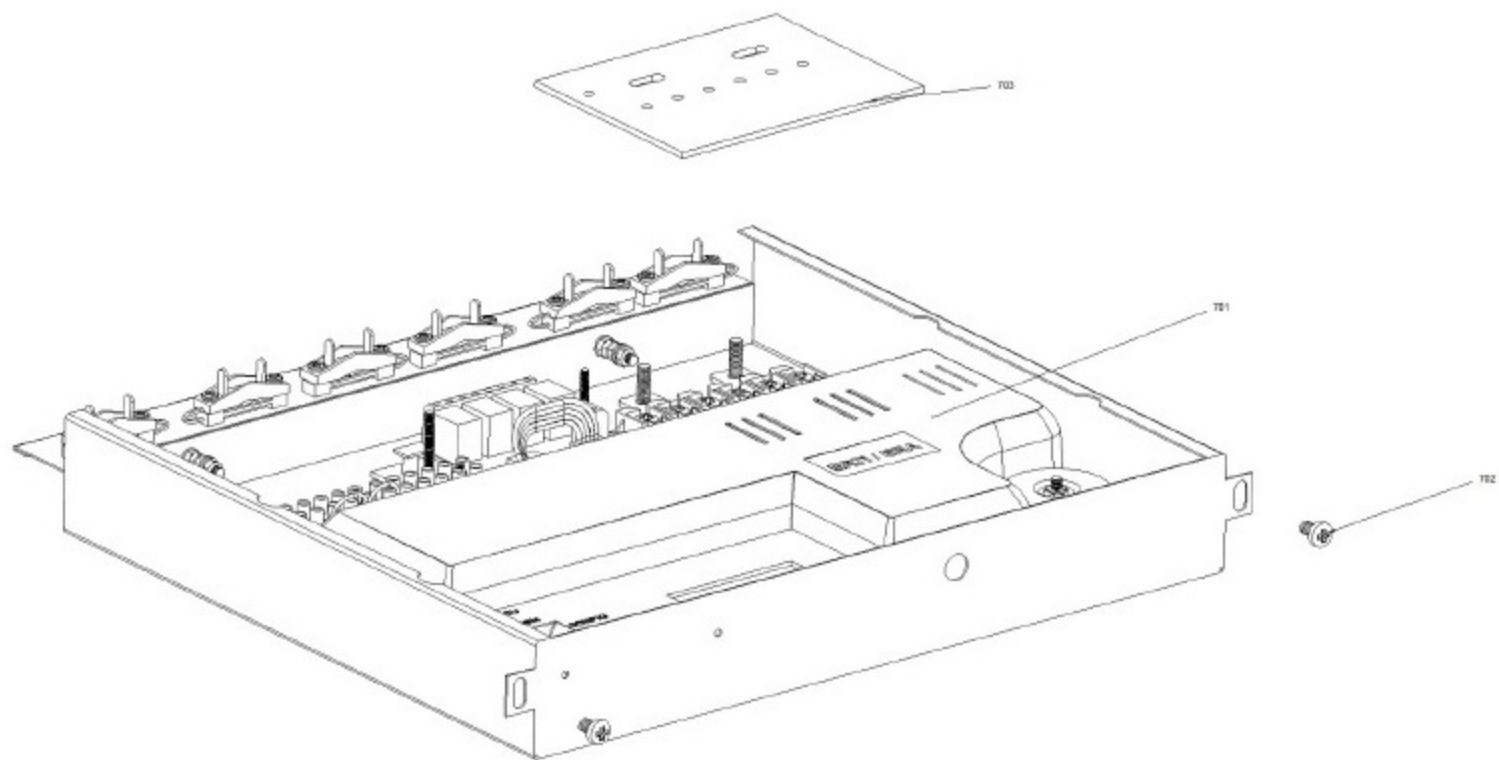
VENTING



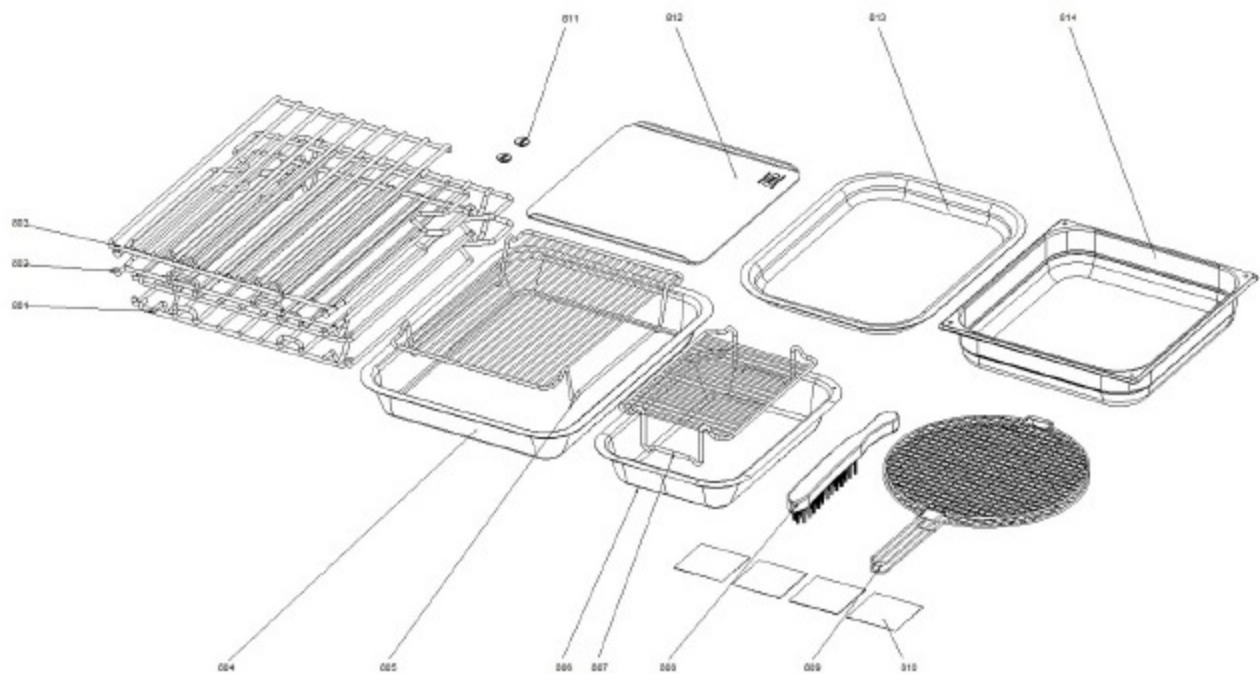
Not Illustrated
510
511
512

TOP PLATE

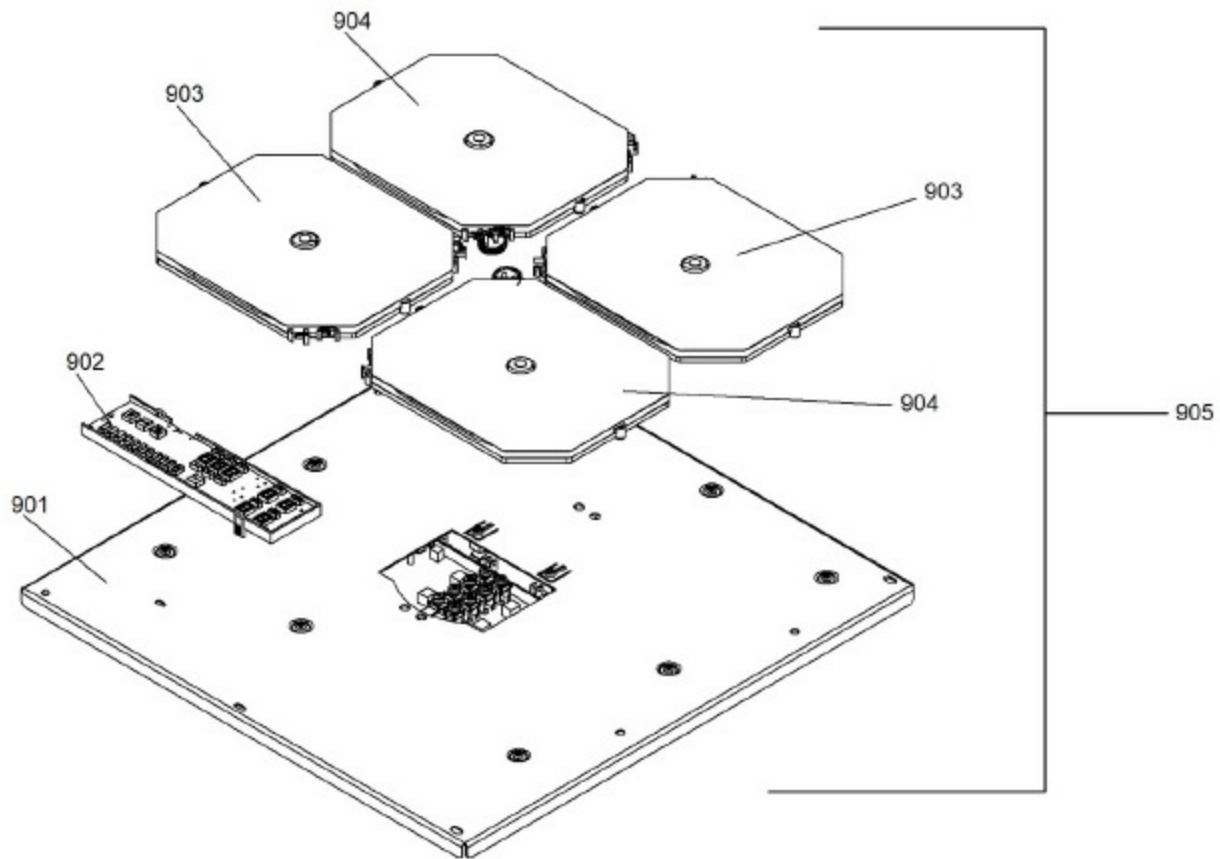




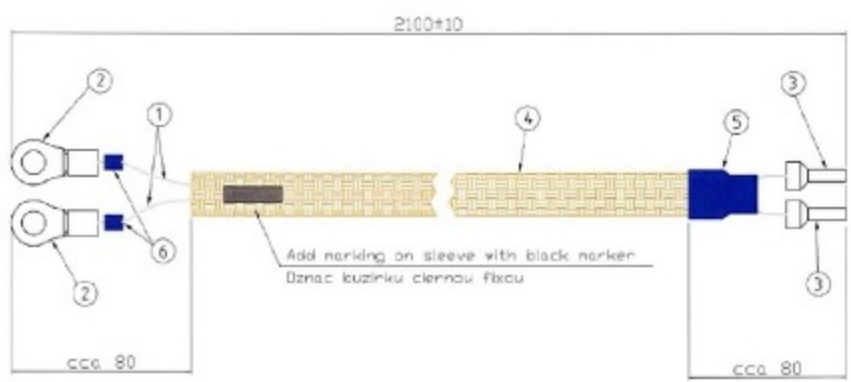
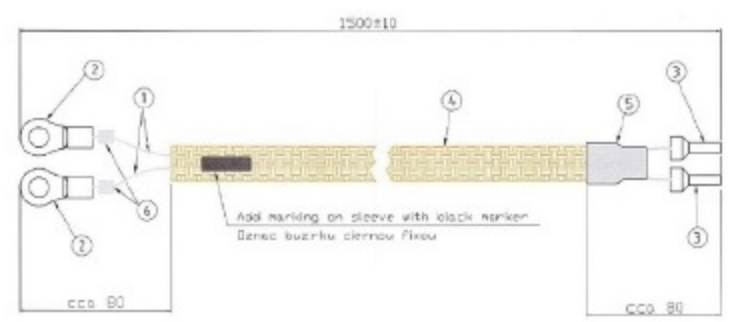
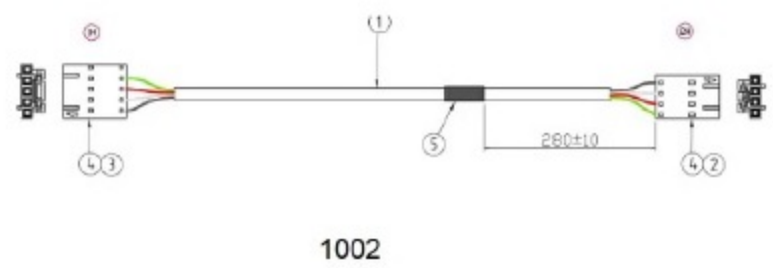
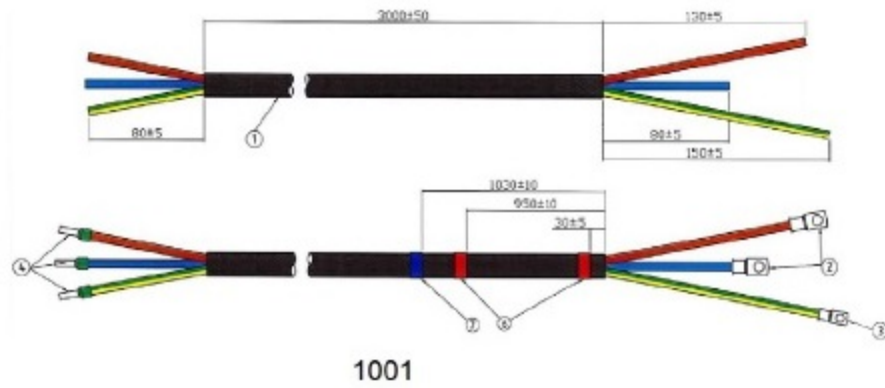
CONTROL BOX

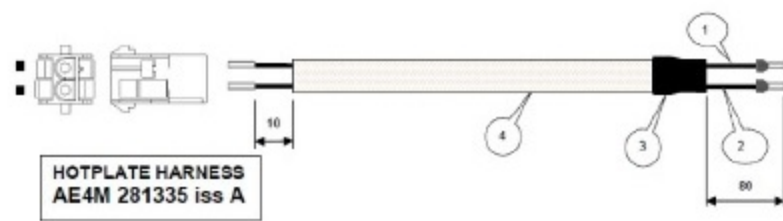


ERA ACCESSORIES

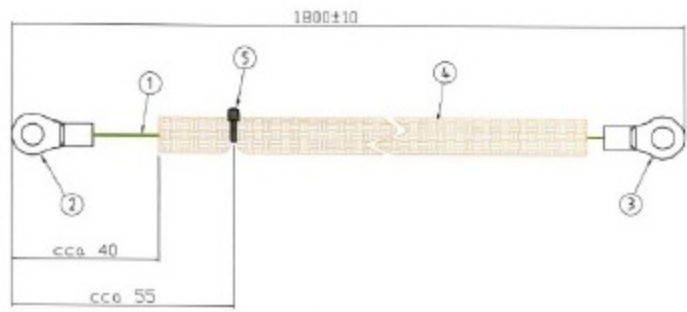


INDUCTION UNIT

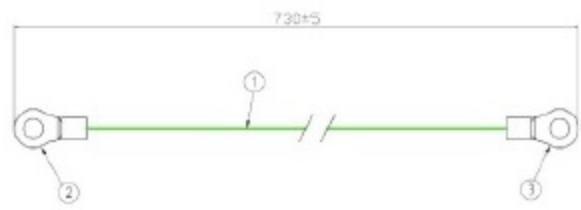




1101



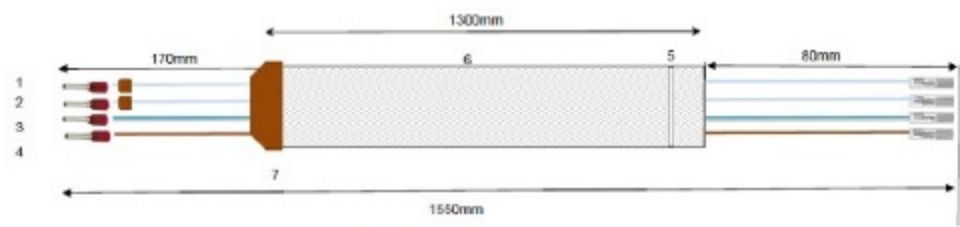
1102



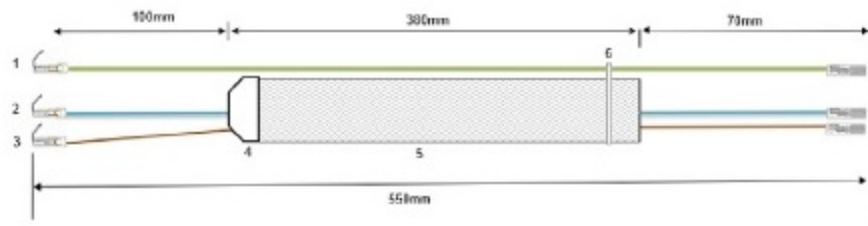
1104



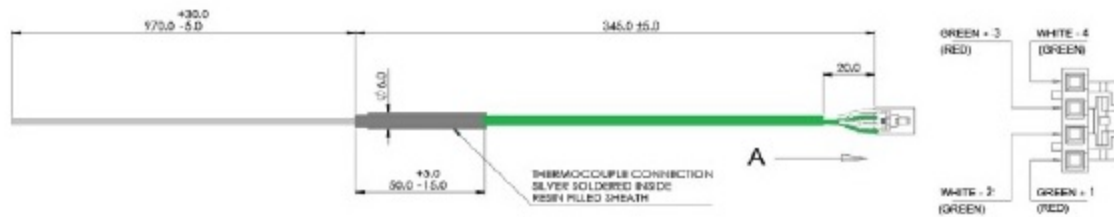
1103



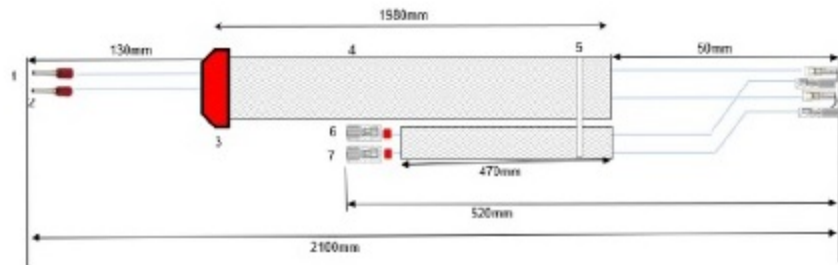
1105



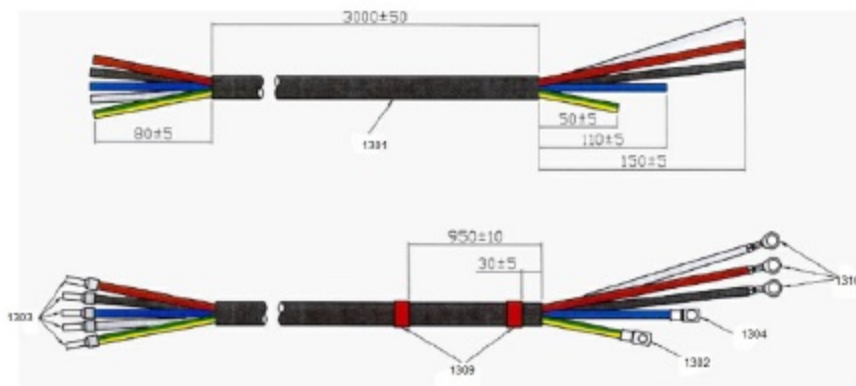
1201



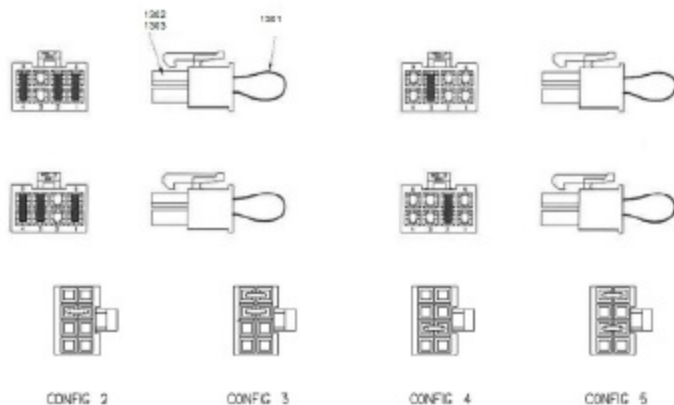
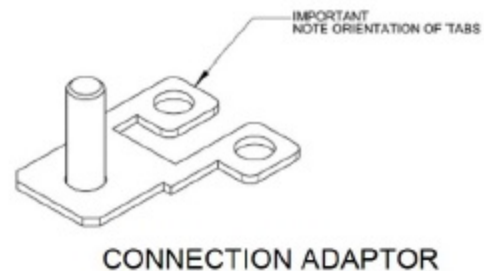
1202



1203



MAINS CABLE-MULTIPHASE



CONFIGURATION KEYS

Not Illustrated
1305
1306
1307
1308
1309

MULTIPHASE CONNECTION KIT