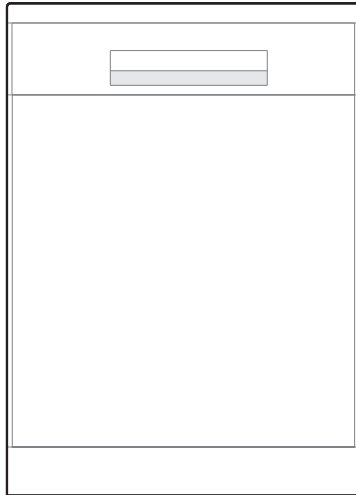


Dishwasher  
Lave-vaisselle  
Vaatwasser  
Lavavajillas

988698 - 12S47 D WAD929C

INSTRUCTIONS FOR USE	.....	02
CONSIGNES D'UTILISATION	.....	40
GEBRUIKSAANWIJZINGEN	.....	78
INSTRUCCIONES DE USO	.....	116





# Thanks!

Thank you for choosing this VALBERG product. Chosen, tested and recommended by ELECTRO DEPOT, the products of the VALBERG brand are easy to use, reliable and of an impeccable standard. Thanks to this appliance, you can be sure that each use will bring you satisfaction.

Welcome to ELECTRO DEPOT.

Visit our website: [www.electrodepot.fr](http://www.electrodepot.fr)



2

EN

## Table of contents

### **A** Overview of the appliance

Product overview

---

### **B** Using the appliance

Quick start guide  
Product installation  
Operation instructions

---

### **C** Useful information

Cleaning and maintenance  
Troubleshooting  
Usage counter

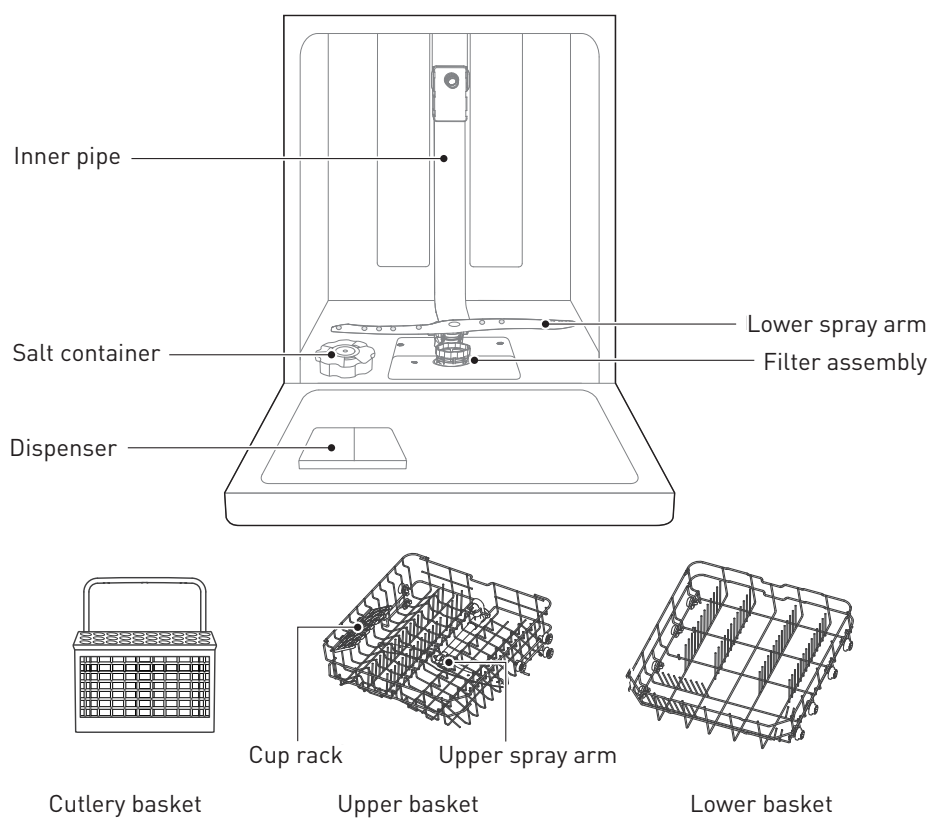
# A

## Overview of the appliance

### Product overview

#### **IMPORTANT:**

To get the best performance from your dishwasher, read all operating instructions before using it for the first time.

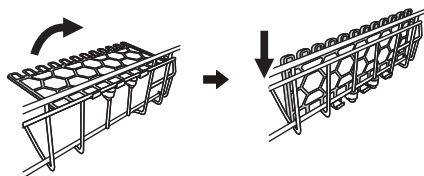


## A

### Overview of the appliance

**NOTE:**

To make room for taller items in the upper basket, raise the cup rack upwards. You can then lean the tall glasses against it. You can also remove it when it is not required for use.



# B

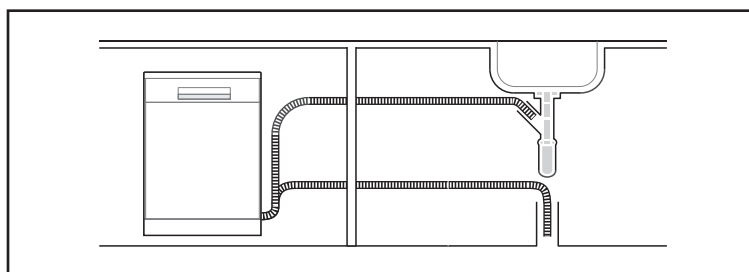
## Using the appliance

### Quick start guide

#### **WARNING:**

Please read the corresponding content in the instruction manual for detailed operating method.

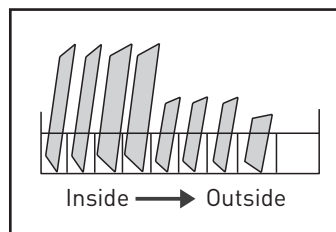
1. Install the dishwasher



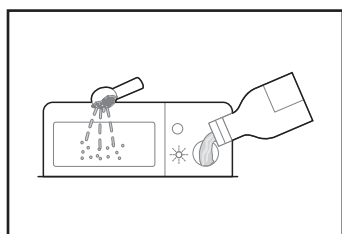
2. Remove larger residue from dishes.  
Avoid pre-rinsing.



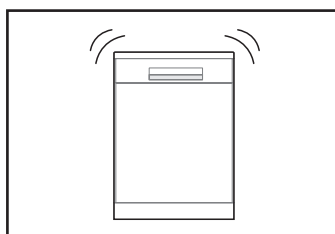
3. Load the baskets.



4. Fill the dispenser with detergent and rinse aid.



5. Select a suitable program and start the dishwasher.



**Product installation****WARNING:**

Electrical Shock Hazard

Disconnect electrical power before installing dishwasher.  
Failure to do so could result in death or electrical shock.

**ATTENTION:**

The installation of the pipes and electrical equipments should be done by professionals.

**ABOUT POWER CONNECTION****WARNING:**

For personal safety:

Do not use an extension cord or an adapter plug with this appliance. Do not, under any circumstances, cut or remove the earthing connection from the power cord.

**Electrical requirements**

Please look at the rating label to know the rating voltage and connect the dishwasher to the appropriate power supply. Use the required fuse 10A/13A/16A, time delay fuse or circuit breaker recommended and provide separate circuit serving only this appliance.

**Electrical connection**

Ensure the voltage and frequency of the power being corresponds to those on the rating plate. Only insert the plug into an electrical socket which is earthed properly.

If the electrical socket to which the appliance must be connected is not appropriate for the plug, replace the socket, rather than using a adaptors or the like as they could cause overheating and burns.



## B

## Using the appliance

### **WARNING:**

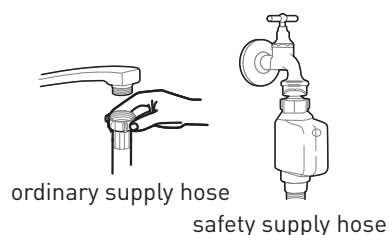
Ensure that proper earthing exists before use.

### **WATER SUPPLY AND DRAIN**

#### **Cold water connection**

Connect the cold water supply hose to a threaded 3/4 (inch) connector and make sure that it is fastened tightly in place.

If the water pipes are new or have not been used for an extended period of time, let the water run to make sure that the water is clear. This precaution is needed to avoid the risk of the water inlet to be blocked and damage the appliance.



#### **About the safety supply hose**

The safety supply hose consists of the double walls. The system guarantees its intervention by blocking the flow of water in case of the supply hose breaking and when the air space between the supply hose itself and the outer corrugated hose is full of water.

### **WARNING:**

A hose that attaches to a tap can burst if it is installed on the same water line as the dishwasher. If your sink has one, it is recommended that the hose be disconnected and the hole plugged.

#### **How to connect the safety supply hose**

1. Pull the safety supply hoses out from storage compartment located at rear of dishwasher.
2. Tighten the screws of the safety supply hose to the faucet with thread 3/4 inch.
3. Turn the water fully on before starting the dishwasher.

#### **How to disconnect the safety supply hose**

1. Turn off the water.
2. Unscrew the safety supply hose from the faucet.

## B

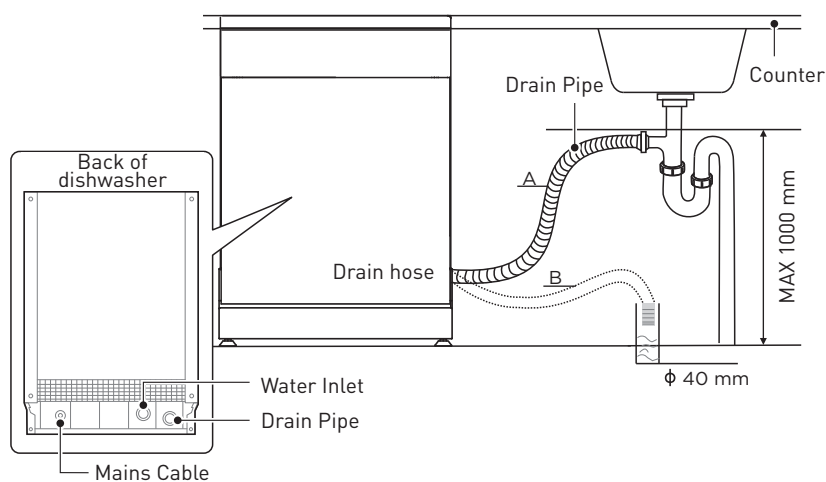
## Using the appliance

### CONNECTION OF DRAIN HOSES

Insert the drain hose into a drain pipe with a minimum diameter of 4 cm, or let it run into the sink, making sure to avoid bending or crimping it. The height of drain pipe must be less than 1000 mm. The free end of the hose must not be immersed in water to avoid the back flow of it.

### WARNING:

Please securely fix the drain hose in either position A or position B.



### How to drain excess water from hoses

If the connection to the drain pipe is positioned higher than 1000 mm, excess water may remain in the drain hose. It will be necessary to drain excess water from the hose into a bowl or suitable container that is held outside and lower than the sink.

### Water outlet

Connect the water drain hose. The drain hose must be correctly fitted to avoid water leaks. Ensure that the water drain hose is not kinked or squashed.

## B

## Using the appliance

### Extension hose

If you need a drain hose extension, make sure to use a similar drain hose. It must not be longer than 4 meters, otherwise the cleaning effect of the dishwasher could be reduced.

### Syphon connection

The waste connection must be at a height less than 1000 mm (maximum) from the bottom of the dishwasher.

### POSITIONING THE APPLIANCE

Position the appliance in the desired location. The back should rest against the wall behind it, and the sides, along the adjacent cabinets or walls. The dishwasher is equipped with water supply and drain hoses that can be positioned either to the right or the left sides to facilitate proper installation.

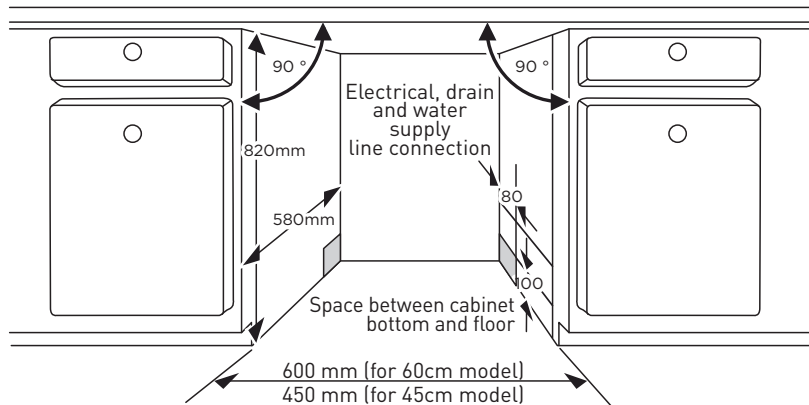
### BUILT-IN INSTALLATION (FOR THE INTEGRATED MODEL)

#### Step 1. Selecting the best location for the dishwasher

The installation position of the dishwasher should be near the existing inlet and drain hose and power socket.

Illustrations of cabinet dimensions and installation position of the dishwasher.

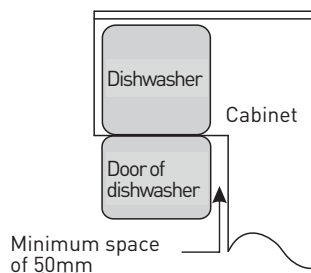
1. Less than 5 mm between the top of dishwasher and cabinet and the outer door aligned to cabinet.



## B

### Using the appliance

2. If dishwasher is installed at the corner of the cabinet, there should be some space when the door is opened.



#### **WARNING:**

Depending on where your electrical outlet is, you may need to cut a hole in the opposite cabinet side.

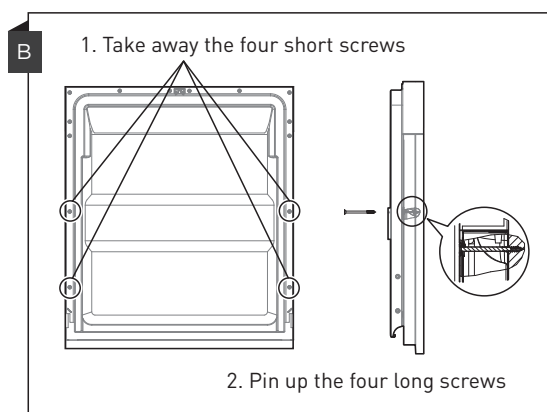
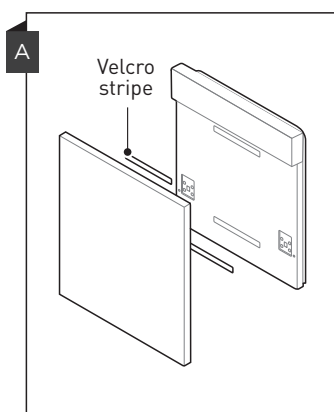
#### **Step 2. Aesthetic panel's dimensions and installation**

#### **WARNING:**

Follow the specific installation instruction for attaching the aesthetic door panel.

#### **Semi-integrated model**

Separate velcro stripe A and velcro stripe B and attach velcro stripe A on the inner side of the aesthetic panel. Attach the felted velcro stripe B on the outer door of dishwasher (see figure A). After positioning of the panel, fix the panel onto the outer door by screws and bolts (See figure B).

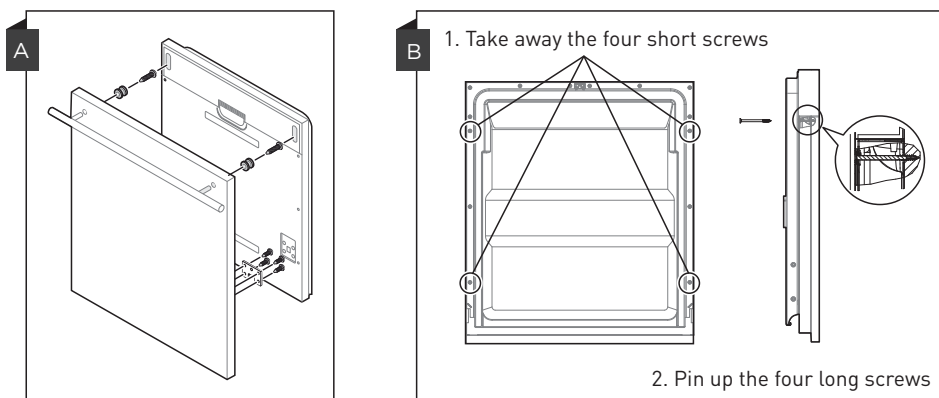


## B

## Using the appliance

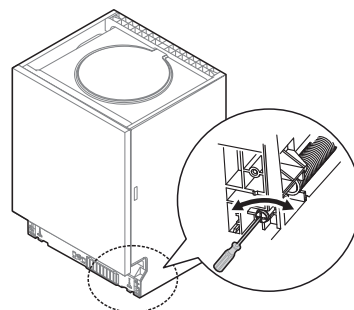
### Fully-integrated model

Install the hook on the aesthetic panel and put the hook into the slot of the outer door of dishwasher (see figure A). After positioning of the panel, fix the panel onto the outer door by screws and bolts (See figure B).



### Step 3. Tension adjustment of the door spring

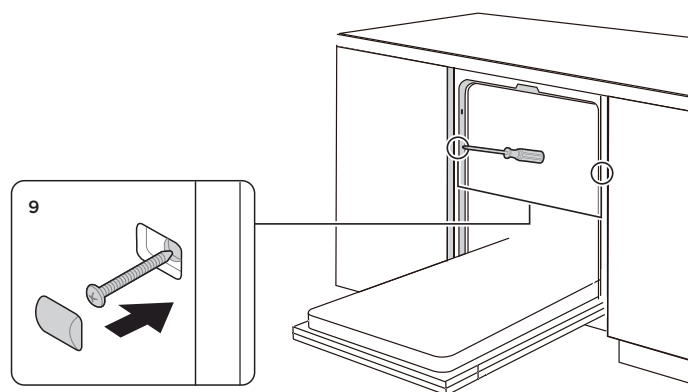
1. The door springs are set at the factory to the proper tension for the outer door. If aesthetic panel are installed, you will have to adjust the door spring tension. Rotate the adjusting screw to drive the adjuster to strain or relax the steel cable.
2. Door spring tension is correct when the door remains horizontal in the fully opened position, yet rises to a close with the slight lift of a finger.



**Step 4. Dishwasher installation steps****WARNING:**

Please refer to the specific installation steps in the installation drawings.

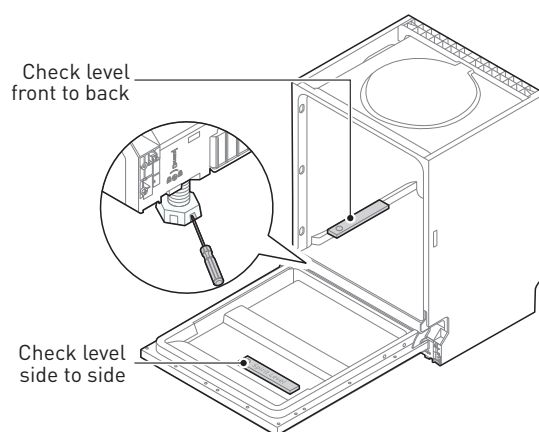
1. Affix the condensation strip under the work surface of cabinet. Please ensure the condensation strip is flush with edge of work surface. (Step 2)
2. Connect the inlet hose to the cold water supply.
3. Connect the drain hose.
4. Connect the power cord.
5. Place the dishwasher into the cabinet.
6. Level the dishwasher. The rear foot can be adjusted from the front of the dishwasher by turning the Philips screw in the middle of the base of dishwasher use a Philips screw driver. To adjust the front feet, use a flat screw driver and turn the front feet until the dishwasher is level. (Step 5 to Step 6)
7. Install the furniture door to the outer door of the dishwasher. (Step 7 to Step 10)
8. Adjust the tension of the door springs by using a Philips screw driver turning in a clockwise motion to tighten the left and right door springs. Failure to do this could cause damage to your dishwasher. (Step 11)
9. The dishwasher must be secured in place. Fix the side with screws.



**Step 5. Levelling the dishwasher**

Dishwasher must be level for proper dish rack operation and wash performance.

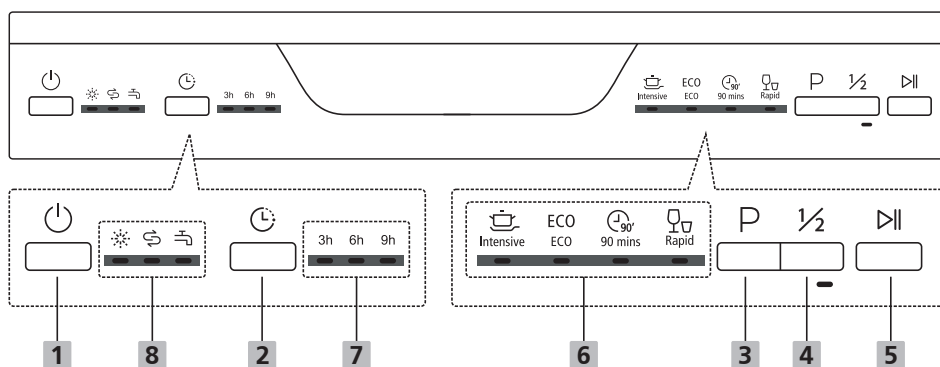
1. Place a spirit level on door and rack track inside the tub as shown to check that the dishwasher is level.
2. Level the dishwasher by adjusting the three levelling feet individually.
3. When level the dishwasher, please pay attention not to let the dishwasher tip over.



# B

## Using the appliance

### Operation instructions



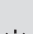






		Description
<b>1</b>	Power	• Press this button to turn on your dishwasher.
<b>2</b>	Delay	• Press the button to set the delay time, corresponding indicator will be lit.
<b>3</b>	<b>P</b> Program	• Select the appropriate washing program, the selected program indicator will be lit.
<b>4</b>	$\frac{1}{2}$ Half load	• When you have about or less than half of full place settings dishware to wash, you can choose this function to save energy and water. (It can only be used with Intensive, ECO and 90 min.)
<b>5</b>	Start/Pause	• Press the button to start the selected washing program or pause the working program.
<b>6</b> Program indicators	Intensive	• Heavily soiled items include pots and pans. With dried on food.
	ECO ECO	• This is standard program, it is suitable to clean normally soiled tableware and it is the most efficient program in terms of its combined energy and water consumption for that type of tableware.
	90 min	• For normally soiled loads that need quick wash.
	Rapid	• A shorter wash for lightly soiled loads that do not need drying.



## B

## Using the appliance




		Description
7	 Delay time	• To show the delay time (3h/6h/9h).
Warning indicators	8  Rinse aid	• If the “  ” indicator is lit, it means the dishwasher is low on dishwasher rinse aid and needs to be refilled.
	 Salt	• If the “  ” indicator is lit, it means the dishwasher is low on dishwasher salt and needs to be refilled.
	 Water Supply Failure	• If the “  ” indicator is lit, it means that no water is reaching the dishwasher.

## B

## Using the appliance

### PROGRAMMES

The table below shows which programs are best for the levels of food residue on them and how much detergent is needed. It also show various information about the programs. Consumption values and program duration are only indicative except for the ECO program. (●) indicates that the program uses rinse aid in the last rinse.

Program	Description Of Cycle	Detergent Pre/Main Wash	Running Time (min)	Energy (kWh)	Water (L)	Rinse Aid
 Intensive	Prewash Wash (60°C) Rinse Rinse (65-72°C) Drying	$\frac{4/16g}{1 \text{ or } 2 \text{ tabs}}$	175	1.275- 1.385	13.9	●
<b>ECO</b> (*EN60436)	Wash (50°C) Rinse Rinse(45°C) Drying	$\frac{20g}{1 \text{ tab}}$	210	0.824	11.0	●
 90 Min	Wash (55°C) Rinse Rinse (60-65°C) Drying	$\frac{20g}{1 \text{ tab}}$	90	0.955- 1.030	11.2	●
 Rapid	Wash (45°C) Rinse Rinse (45°C)	$\frac{12g}{1 \text{ tab}}$	30	0.584	10.3	○

### NOTE:

ECO (\*EN60436): The ECO program is suitable to clean normally soiled tableware, that for this use, it is the most efficient program in terms of its combined energy and water consumption, and it is used to assess compliance with the EU ecodesign legislation.

**PREPARING AND LOADING DISHES**

Consider buying utensils which are identified as dishwasher-proof.

For particular items, select a program with the lowest possible temperature.

To prevent damage, do not take glass and cutlery out of the dishwasher immediately after the program has ended.

**For washing the following cutlery/dishes****Are not suitable**

Cutlery with wooden, horn china or mother-of-pearl handles

Plastic items that are not heat resistant

Older cutlery with glued parts that are not temperature resistant

Bonded cutlery items or dishes

Pewter or cooper items

Crystal glass

Steel items subject to rusting

Wooden platters

Items made from synthetic fibres

**Are of limited suitability**

Some types of glasses can become dull after a large number of washes

Silver and aluminum parts have a tendency to discolor during washing

Glazed patterns may fade if machine washed frequently

**Recommendations for loading the dishwasher**

Scrape off any large amounts of leftover food. Soften remnants of burnt food in pans. It is not necessary to rinse the dishes under running water.

For best performance of the dishwasher, follow these loading guidelines.

**(Features and appearance of baskets and cutlery baskets may vary from your model.)**

Place objects in the dishwasher in the following way:

Items such as cups, glasses, pots, pans, etc. must face downwards.

Curved items, or ones with recesses, should be loaded aslant so that water can run off.

All utensils are stacked securely and can not tip over.

All utensils are placed in the way that the spray arms can rotate freely during washing.

Load hollow items such as cups, glasses, pans etc. With the opening facing downwards so that water cannot collect in the container or a deep base.

Dishes and items of cutlery must not lie inside one another, or cover each other.

To avoid damage, glasses should not touch one another.

## B

## Using the appliance

The upper basket is designed to hold more delicate and lighter dishware such as glasses, coffee and tea cups.

Long bladed knives stored in an upright position are a potential hazard!

Long and sharp items of cutlery such as carving knives must be positioned horizontally in the upper basket.

Please do not overload your dishwasher. This is important for good results and for reasonable consumption of energy.

### **NOTE:**

Very small items should not be washed in the dishwasher as they could easily fall out of the basket.

### **Removing the dishes**

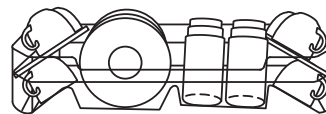
To prevent water dripping from the upper basket into the lower basket, we recommend that you empty the lower basket first, followed by the upper basket.

### **WARNING:**

Items will be hot! To prevent damage, do not take glass and cutlery out of the dishwasher for around 15 minutes after the program has ended.

### **Loading the upper basket**

The upper basket is designed to hold more delicate and lighter dishware such as glasses, coffee and tea cups and saucers, as well as plates, small bowls and shallow pans (as long as they are not too dirty). Position the dishes and cookware so that they will not get moved by the spray of water.



## B

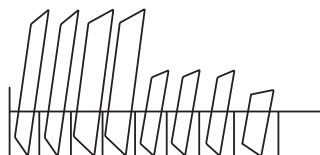
## Using the appliance

### Loading the lower basket

We suggest that you place large and difficult to clean items into the lower basket: such as pots, pans, lids, serving dishes and bowls, as shown in the figure below.

It is preferable to place serving dishes and lids on the side of the racks in order to avoid blocking the rotation of the top spray arm.

The maximum diameter advised for plates in front of the detergent dispenser is of 19 cm, this not to hamper the opening of it.



### Loading the cutlery basket

Cutlery should be placed in the cutlery basket separate from each other in the appropriate positions. Avoid nesting of the cutlery to prevent insufficient cleaning performance.

### **WARNING:**

Do not let any item extend through the bottom.

Always load sharp utensils with the sharp point down!

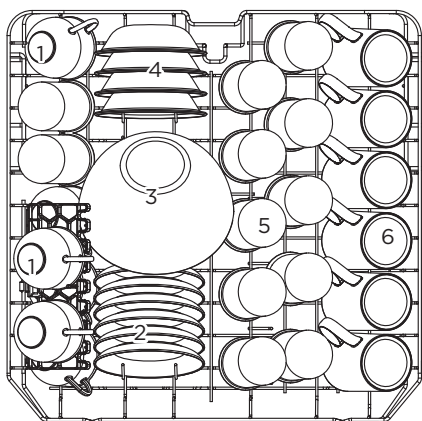
## B

## Using the appliance

### LOADING THE BASKETS ACCORDING TO EN60436:

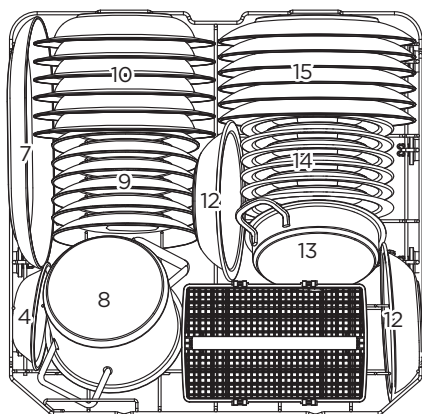
Loading the dishwasher to its full capacity will contribute to energy and water savings.

#### 1. Upper basket:



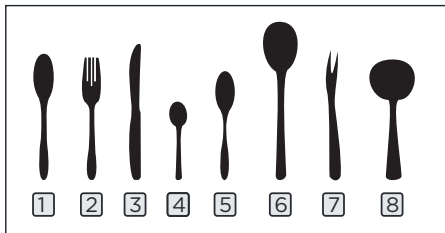
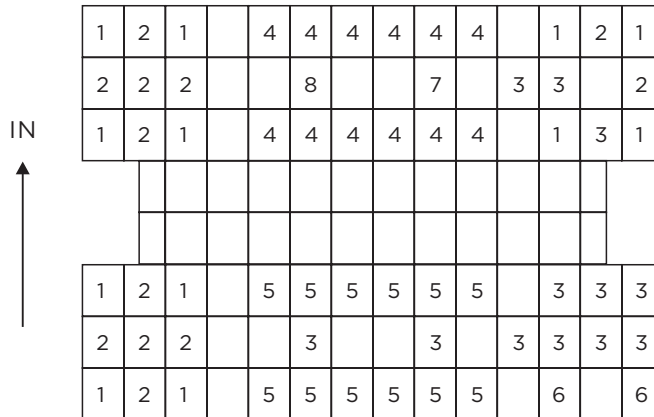
Number		Item
1	D = 7.8cm H = 4.5cm	Cups
2	D = 14cm	Saucers
3	D = 18.6cm H = 9.5cm	Glass bowl
4	D = 13cm	Dessert bowls
5	D = 6cm H = 12cm	Glasses
6	D = 7cm H = 10cm	Mugs

#### 2. Lower basket:



Number		Item
7	D = 32cm	Oval platter
8	D = 16cm H = 10.5cm	Small pot
9	D = 19cm	Dessert plates
10	D = 23cm	Soup plates
11		Cutlery basket
12	D = 21.3cm	Melamine bowls
13	D = 16cm H = 4.1cm	Oven pot
14	D = 19.5cm	Melamine dessert plates
15	D = 25cm	Dinner plates

3. Cutlery basket:



Number	Item
1	Soup spoons
2	Forks
3	Knives
4	Tea spoons
5	Dessert spoons
6	Serving spoons
7	Serving fork
8	Gravy ladle

Information for comparability tests in accordance with EN60436  
 Capacity: 12 place settings  
 Position of the upper basket: lower position  
 Program: ECO  
 Rinse aid setting: Max  
 Softener setting: H3

## B

## Using the appliance

### LOADING THE SALT INTO THE SOFTENER

#### **NOTE:**

If your model does not have any water softener, you may skip this section. Always use salt intended for dishwasher use. The hardness of the water varies from place to place. If hard water is used in the dishwasher, deposits will form on the dishes and utensils. The appliance is equipped with a special softener that uses a salt container specifically designed to eliminate lime and minerals from the water. The salt container is located beneath the lower basket and should be filled as explained in the following:

#### **WARNING:**

Only use salt specifically designed for dishwashers use! Every other type of salt not specifically designed for dishwasher use, especially table salt, will damage the water softener. In case of damages caused by the use of unsuitable salt the manufacturer does not give any warranty nor is liable for any damages caused.

Only fill with salt before running a cycle.

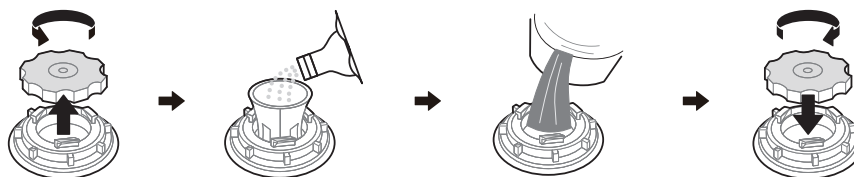
This will prevent any grains of salt or salty water, which may have been spilled, remaining on the bottom of the machine for any period of time, which may cause corrosion.



## B

## Using the appliance

Please follow the steps below for adding dishwasher salt:



1. Remove the lower basket and unscrew the reservoir cap.
2. Place the end of the funnel (if supplied) into the hole and pour in about 1.5 kg of dishwasher salt.
3. Fill the salt container to its maximum limit with water, It is normal for a small amount of water to come out of the salt container.
4. After filling the container, screw back the cap tightly.
5. The salt warning light will turn off after the salt container has been filled with salt.
6. Immediately after filling the salt into the salt container, a washing program should be started (We suggest to use a short program). Otherwise the filter system, pump or other important parts of the machine may be damaged by salty water. This is out of warranty.

### NOTE:

The salt container must only be refilled when the salt warning light in the control panel comes on. Depending on how well the salt dissolves, the salt warning light may still be on even though the salt container is filled. If there is no salt warning light in the control panel (for some models), you can estimate when to fill the salt into the softener by the cycles that the dishwasher has run. If salt has spilled, run a soak or quick program to remove it.

### WATER SOFTENER

The water softener must be set manually, using the water hardness dial.

The water softener is designed to remove minerals and salts from the water, which would have a detrimental or adverse effect on the operation of the appliance.

The more minerals there are, the harder your water is.

The softener should be adjusted according to the hardness of the water in your area.

Your local Water Authority can advise you on the hardness of the water in your area.

### Adjusting salt consumption

The dishwasher is designed to allow for adjustment in the amount of salt consumed based on the hardness of the water used. This is intended to optimise and customise the level of salt consumption.

Please follow the steps below for adjustment in salt consumption.

1. Close the door and switch on the appliance.
2. Within 60 seconds after the appliance was switched on press the Program button for more than 5 seconds to enter the water softener setting mode.
3. Press the Program button again to select the proper setting according to your local water hardness, the setting will change in the following sequence: H3->H4->H5->H6->H1->H2->H3;
4. Without operation in 5 seconds or press the Power button to complete the setup and exit the setup mode.

WATER HARDNESS				Water softner level	Regeneration occurs every X program sequence <sup>1)</sup>	Salt consumption (gram/cycle)
German °dH	French °fH	British °Clarke	Mmol/l			
0 - 5	0 - 9	0 - 6	0 - 0.94	H1: Rapid Light bright	No regeneration	0
6 - 11	10 - 20	7 - 14	1.0 - 2.0	H2: 90min Light bright	10	9
12 - 17	21 - 30	15 - 21	2.1 - 3.0	H3: Rapid, 90min Light bright	5	12
18 - 22	31 - 40	22 - 28	3.1 - 4.0	H4: ECO Light bright	3	20
23 - 34	41 - 60	29 - 42	4.1 - 6.0	H5: ECO, Rapid Light bright	2	30
35 - 55	61 - 98	43 - 69	6.1 - 9.8	H6: 90min, ECO Light bright	1	60

1°dH=1.25 °Clarke=1.78 ] °fH=0.178mmol/l

### The factory setting: H3

<sup>1)</sup> Every cycle with a regeneration operation consumes additional 2.0 litres of water, the energy consumption increases by 0.02 kWh and the program extents by 4 minutes.

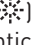
**FUNCTION OF THE RINSE AID AND DETERGENT**

The rinse aid is released during the final rinse to prevent water from forming droplets on your dishes, which can leave spots and streaks. It also improves drying by allowing water to roll off the dishes. Your dishwasher is designed to use liquid rinse aids.

**WARNING:**

Only use branded rinse aid for dishwasher. Never fill the rinse aid dispenser with any other substances (e.g. Dishwasher cleaning agent, liquid detergent). This would damage the appliance.

**When to refill the rinse aid**

Unless the rinse-aid warning light (  ) on the control panel is on, you can always estimate the amount from the color of the optical level indicator located next to the cap. When the rinse-aid container is full, the indicator will be fully dark. The size of the dark dot decreases as the rinse-aid diminishes. You should never let the rinse aid level be less than 1/4 full. As the rinse aid diminishes, the size of the black dot on the rinse aid level indicator changes, as illustrated below.

● Full      ● 3/4 full      ● 1/2 full      ● 1/4 full      ○ Empty

**Function of detergent**

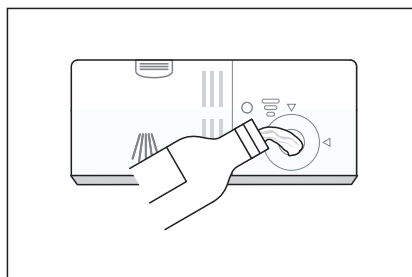
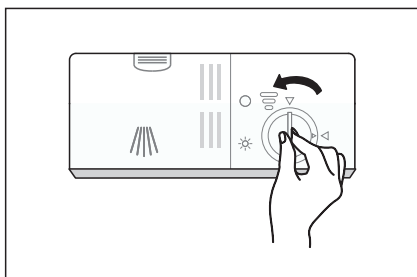
The chemical ingredients that compose the detergent are necessary to remove, crush and dispense all dirt out of the dishwasher. Most of the commercial quality detergents are suitable for this purpose.

**WARNING:****Proper Use of Detergent**

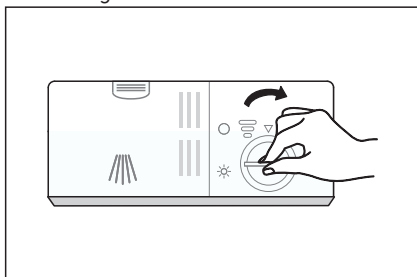
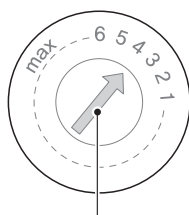
Use only detergent specifically made for dishwashers use. Keep your detergent fresh and dry. Do not fill detergent into the dispenser until you are ready to start the dishwasher. Dishwasher detergent is corrosive! Keep dishwasher detergent out of the reach of children.

**FILLING THE RINSE AID RESERVOIR**

1. Remove the rinse aid reservoir cap by rotating it counterclockwise.
2. Carefully pour in the rinse aid into the dispenser, whilst avoiding it to overflow.



3. Close the rinse aid reservoir cap by rotating it clockwise.

**Adjusting the rinse aid reservoir**

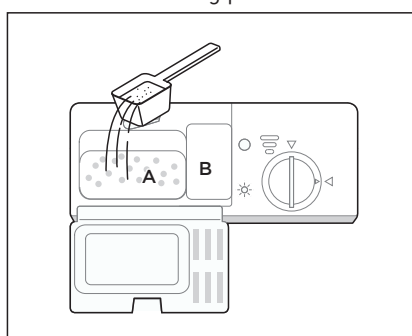
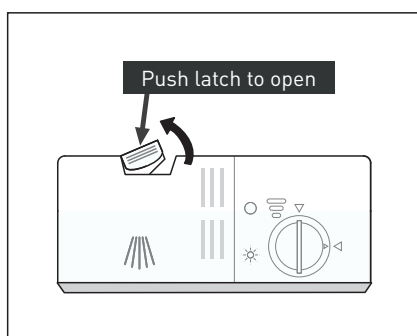
Adjust lever(Rinse)

Turn the rinse aid indicator dial to a number. The higher the number, the more rinse aid the dishwasher uses.

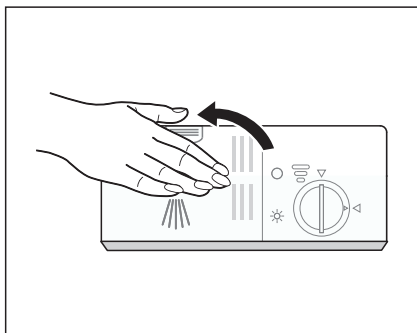
If the dishes are not drying properly or are spotted, adjust the dial to the next higher number until your dishes are spot-free. Reduce it if there are sticky whitish stains on your dishes or a bluish film on glassware or knife blades.

**FILLING THE DETERGENT DISPENSER**

1. Press the release latch on the detergent dispenser to open the cover.
2. Add detergent into the larger cavity (A) for main wash. For more heavily soiled wash loads, also add some detergent into the smaller cavity (B) for release during pre-wash.



3. Close the cover and press on it until it locks into place.

**NOTE:**

Please observe the manufacturer's recommendations on the detergent packaging.

**SAVING ENERGY**

1. Pre-rinsing of tableware items leads to increased water and energy consumption and is not recommended.
2. Washing tableware in a household dishwasher usually consumes less energy and water in the use phase than hand dishwashing when the household dishwasher is used according to the instructions.

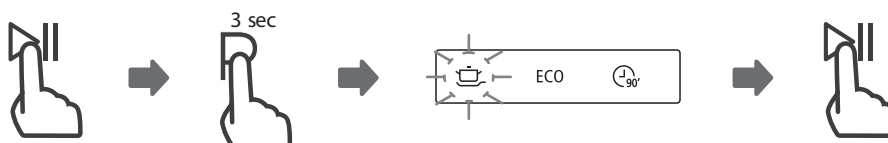
**STARTING A PROGRAM**

1. Draw out the lower and upper basket, load the dishes and push them back. It is commended to load the lower basket first, then the upper one.
2. Pour in the detergent.
3. Insert the plug into the socket. The power supply refer to last page "Product fiche". Make sure that the water supply is turned on to full pressure.
4. Close the door, press the Power button.
5. Choose a program, the response light will turn on. Then press the Start/Pause button, the dishwasher will start its cycle.

**CHANGING THE PROGRAM MID-CYCLE**

A program can only be changed if it has been running only for a short period of time, otherwise the detergent may have already been released or the the wash water with detergent has already been drained. If this is the case, the dishwasher needs to be reset and the detergent dispenser must be refilled. To reset the dishwasher, follow the instructions below:

1. Press the Start/Pause button to pause the washing.
2. Press Program button for more than 3 seconds - the program will cancel.
3. Press the Program button to select the desired program.
4. Press the Start/Pause button, the dishwasher will start.



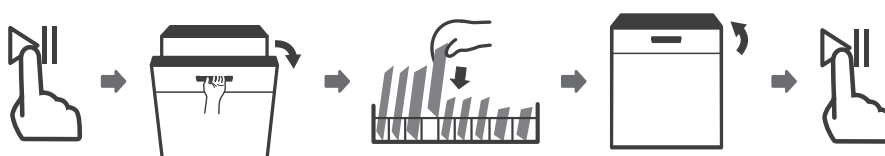
## B

## Using the appliance

### FORGET TO ADD A DISH?

A forgotten dish can be added any time before the detergent dispenser opens. If this is the case, follow the instructions below:

1. Press the Start/Pause button to pause the washing.
2. Wait 5 seconds then open the door.
3. Add the forgotten dishes.
4. Close the door.
5. Press the Start/Pause button after 10 seconds, the dishwasher will start.



### WARNING:

It is dangerous to open the door mid-cycle, as hot steam may scald you.

### AUTOMATIC OPENING / ACTIV'DOOR

After washing, the door will open automatically by default (cannot be canceled) to achieve better drying effect. The rapid program doesn't have the Auto open function.

acti  
door



### NOTE:

The dishwasher door must not be blocked when set to open automatically. This can disrupt door lock functionality. When the machine automatically opens the door, it does not indicate that the washing program has been completed. It is necessary to wait until the indicator light or display screen no longer shows anything, which indicates the completion of the entire running program.

## Cleaning and maintenance

### EXTERNAL CARE

#### The door and the door seal

Clean the door seals regularly with a soft damp cloth to remove food deposits. When the dishwasher is being loaded, food and drink residues may drip onto the sides of the dishwasher door. These surfaces are outside the wash cabinet and are not accessed by water from the spray arms. Any deposits should be wiped off before the door is closed.

#### The control panel

If cleaning is required, the control panel should be wiped with a soft damp cloth only.

### WARNING:

To avoid penetration of water into the door lock and electrical components, do not use a spray cleaner of any kind. Never use abrasive cleaners or scouring pads on the outer surfaces because they may scratch the finish. Some paper towels may also scratch or leave marks on the surface.

### INTERNAL CARE

#### Filtering system

The filtering system in the base of the wash cabinet retains coarse debris from the washing cycle, including foreign objects such as tooth picks or shards. The collected coarse debris may cause the filters to clog. Check the condition of the filters regularly, carefully remove foreign objects and clean the parts of the filtering system if necessary with water. Follow the steps below to clean the filter.

### WARNING:

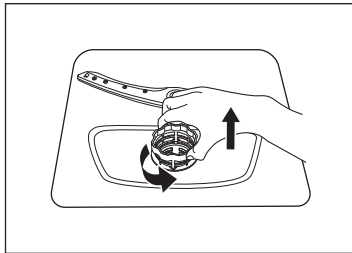
Pictures are only for reference, different models of the filtering system and spray arms may be different.



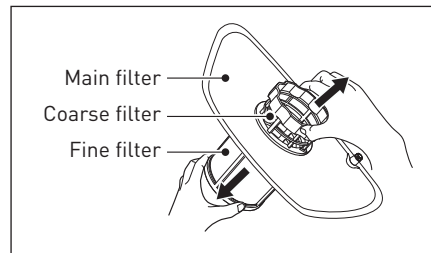
## C

## Useful information

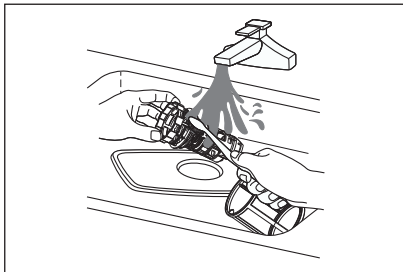
1. Hold the coarse filter and rotate it anticlockwise to unlock the filter. Lift the filter upwards and out of the dishwasher.



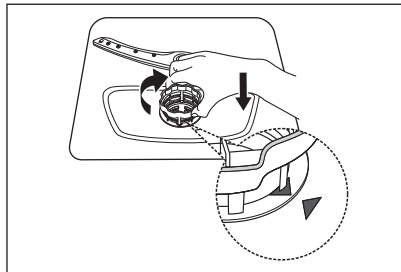
2. The fine filter can be pulled off the bottom of the filter assembly. The coarse filter can be detached from the main filter by gently squeezing the tabs at the top and pulling it away.



3. Larger food remnants can be cleaned by rinsing the filter under running water. For a more thorough clean, use a soft cleaning brush.



4. Reassemble the filters in the reverse order of the disassembly, replace the filter insert, and rotate clockwise to the close arrow.



### **WARNING:**

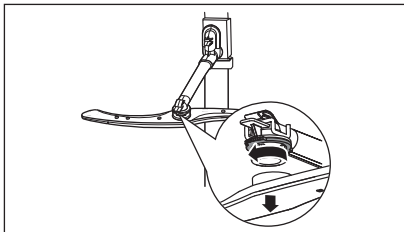
Do not over tighten the filters. Put the filters back in sequence securely, otherwise coarse debris could get into the system and cause a blockage. Never use the dishwasher without filters in place. Improper replacement of the filter may reduce the performance level of the appliance and damage dishes and utensils.

**SPRAY ARMS**

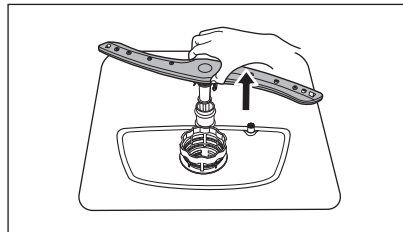
It is necessary to clean the spray arms regularly for hard water chemicals will clog the spray arm jets and bearings.

To clean the spray arms, follow the instructions below:

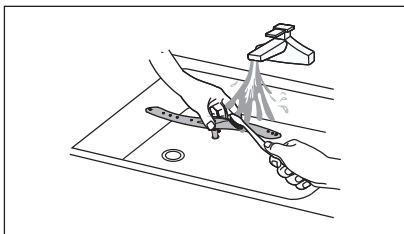
1. To remove the upper spray arm, hold the nut, rotate the arm clockwise to remove it.



2. To remove the lower spray arm, pull out the spray arm upward.



3. Wash the arms in soapy and warm water and use a soft brush to clean the jets. Replace them after rinsing them thoroughly.

**CARING FOR THE DISHWASHER****Frost precaution**

Please take frost protection measures on the dishwasher in winter. Every time afterwashing cycles, please operate as follows:

1. Cut off the electrical power to the dishwasher at the supply source.
2. Turn off the water supply and disconnect the water inlet pipe from the water valve.
3. Drain the water from the inlet pipe and water valve. (Use a pan to gather the water)
4. Reconnect the water inlet pipe to the water valve.
5. Remove the filter at the bottom of the tub and use a sponge to soak up water in the sump.

**AFTER EVERY WASH**

After every wash, turn off the water supply to the appliance and leave the door slightly open for a while so that moisture and odors are not trapped inside.

**REMOVE THE PLUG**

Before cleaning or performing maintenance, always remove the plug from the socket.

**NO SOLVENTS OR ABRASIVE CLEANING**

To clean the exterior and rubber parts of the dishwasher, do not use solvents or abrasive cleaning products. Only use a cloth with warm soapy water.

To remove spots or stains from the surface of the interior, use a cloth dampened with water and a little vinegar, or a cleaning product made specifically for dishwashers.

**WHEN NOT IN USE FOR A LONG TIME**

It is recommended that you run a wash cycle with the dishwasher empty and then remove the plug from the socket, turn off the water supply and leave the door of the appliance slightly open. This will help the door seals to last longer and prevent odors from forming within the appliance.

**MOVING THE APPLIANCE**

If the appliance must be moved, try to keep it in the vertical position. If absolutely necessary, it can be positioned on its back.

**SEALS**

One of the factors that cause odours to form in the dishwasher is food that remains trapped in the seals. Periodic cleaning with a damp sponge will prevent this from occurring.

## Troubleshooting

### Before Calling For Service

Reviewing the charts on the following pages may save you from calling for service.

Problem	Possible reason	Solution
Dishwasher doesn't start	• Fuse blown, or the circuit break tripped.	Replace fuse or reset circuit breaker. Remove any other appliances sharing the same circuit with the dishwasher.
	• Power supply is not turned on.	Make sure the dishwasher is turned on and the door is closed securely. Make sure the power cord is properly plugged into the wall socket.
	• Water pressure is low.	Check that the water supply is connected properly and the water is turned on.
	• Door of dishwasher not properly closed.	Make sure to close the door properly and latch it.
Water not pumped from dishwasher	• Twisted or trapped drain hose.	Check the drain hose.
	• Filter clogged.	Check the filter system.
	• Kitchen sink clogged.	Check the kitchen sink to make sure it is draining well. If the problem is the kitchen sink that is not draining, you may need a plumber rather than a serviceman for dishwashers.
Foam in the tub	• Wrong detergent.	Use only the special dishwasher detergent to avoid suds. If this occurs, open the dishwasher and let suds evaporate. Add 1 liter of cold water to the bottom of the dishwasher. Close the dishwasher door, then select any cycle. Initially, the dishwasher will drain out the water. Open the door after draining stage is complete and check if the suds have disappeared. Repeat if necessary.
	• Spilled rinse aid.	Always wipe up rinse aid spills immediately.

## C

## Useful information

Problem	Possible reason	Solution
Stained tub interior	<ul style="list-style-type: none"> <li>• Detergent with colourant may have been used.</li> </ul>	Make sure that the detergent has no colourant.
There are rust stains on cutlery	<ul style="list-style-type: none"> <li>• The affected items are not corrosion resistant.</li> <li>• A program was not run after dishwasher salt was added. Traces of salt have gotten into the wash cycle.</li> <li>• The lid of the softer is loose.</li> </ul>	<p>Avoid washing items that are not corrosion resistant in the dishwasher.</p> <p>Always run a wash program without any crockery after adding salt. Do not select the Turbo function (if present), after adding dishwasher salt.</p> <p>Check the softener lid is secure.</p>
Knocking noise in the dishwasher	<ul style="list-style-type: none"> <li>• A spray arm is knocking against an item in a basket.</li> </ul>	Interrupt the program and rearrange the items which are obstructing the spray arm.
Rattling noise in the dishwasher	<ul style="list-style-type: none"> <li>• Items of crockery are loose in the dishwasher.</li> </ul>	Interrupt the program and rearrange the items of crockery.
Knocking noise in the water pipes	<ul style="list-style-type: none"> <li>• This may be caused by on-site installation or the cross-section of the piping.</li> </ul>	This has no influence on the dishwasher function. If in doubt, contact a qualified plumber.
The dishes are not clean	<ul style="list-style-type: none"> <li>• The dishes were not loaded correctly.</li> <li>• The program was not powerful enough.</li> <li>• Not enough detergent was dispensed.</li> <li>• Items are blocking the movement of the spray arms.</li> <li>• The filter combination is not clean or is not correctly fitted in the base of wash cabinet. This may cause the spray arm jets to get blocked.</li> </ul>	<p>See the "Preparing And Loading Dishes".</p> <p>Select a more intensive program.</p> <p>Use more detergent, or change your detergent.</p> <p>Rearrange the items so that the spray can rotate freely.</p> <p>Clean and/or fit the filter correctly. Clean the spray arm jets.</p>

## C

## Useful information

Problem	Possible reason	Solution
Cloudiness on glassware.	<ul style="list-style-type: none"> <li>• Combination of soft water and too much detergent.</li> </ul>	Use less detergent if you have soft water and select a shorter cycle to wash the glassware and to get them clean.
White spots appear on dishes and glasses.	<ul style="list-style-type: none"> <li>• Hard water area can cause limescale deposits.</li> </ul>	Check water softener settings or fill status of salt container.
Black or grey marks on dishes	<ul style="list-style-type: none"> <li>• Aluminium utensils have rubbed against dishes.</li> </ul>	Use a mild abrasive cleaner to eliminate those marks.
Detergent left in dispenser	<ul style="list-style-type: none"> <li>• Dishes block detergent dispenser</li> </ul>	Re-loading the dishes properly.
The dishes aren't drying	<ul style="list-style-type: none"> <li>• Improper loading</li> </ul>	Use gloves if detergent residue can be found on dishes to avoid skin irritations.
	<ul style="list-style-type: none"> <li>• Dishes are removed too soon</li> </ul>	Do not empty your dishwasher immediately after washing. Open the door slightly so that the steam can come out. Take out the dishes until the inside temperature is safe to touch. Unload the lower basket first to prevent the dropping water from the upper basket.
	<ul style="list-style-type: none"> <li>• Wrong program has been selected.</li> </ul>	With a short program, the washing temperature is lower, decreasing cleaning performance. Choose a program with a long washing time.
	<ul style="list-style-type: none"> <li>• Use of cutlery with a low-quality coating.</li> </ul>	Water drainage is more difficult with these items. Cutlery or dishes of this type are not suitable for washing in the dishwasher.

**WARNING:**

Self-repair or non-professional repair may cause serious risks to the safety of the user of the appliance and impact warranty.

**AVAILABILITY OF SPARE PARTS**

- Seven years after placing the last unit of the model on the market:  
Motor, circulation and drain pump, heaters and heating elements, including heat pumps (separately or bundled), piping and related equipment including all hoses, valves, filters and aqua stops, structural and interior parts related to door assemblies (separately or bundled), printed circuit boards, electronic displays, pressure switches, thermostats and sensors, software and firmware including reset software.
- Ten years after placing the last unit of the model on the market:  
Door hinge and seals, other seals, spray arms, drain filters, interior racks and plastic peripherals such as baskets and lids.

**Error codes**

If there is a malfunction the dishwasher will display an error code. The following table shows possible error codes and their causes.

Problem	Possible reason	Solution
The Rapid light flicker fleetly	• Longer inlet time.	Faucets is not opened, or water intake is restricted, or water pressure is too low.
The Rapid, 90min light flicker fleetly	• Not reaching required temperature.	Malfunction of heating element.
The ECO light flicker fleetly	• Overflow.	Some element of dishwasher leaks.
The Intensive, ECO and Rapid light	• Failure of communication between main circuit board with display circuit board.	Open circuit or break wiring for the communication.

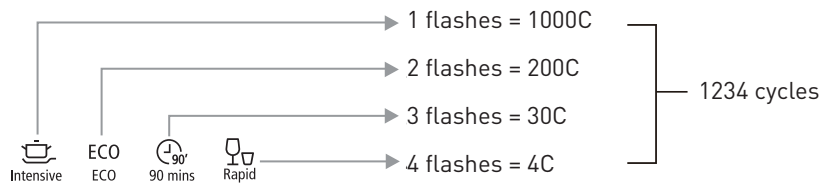
**WARNING:**

If overflow occurs, turn off the main water supply before calling a service. If there is water in the base pan because of an overflow or small leak, the water should be removed before restarting the dishwasher. If there is an error code that cannot be solved, please request professional assistance.

## Usage counter

Since this model has no display screen, the cycles number will be informed by using 4 LEDs, the detailed introduction is as follows:

1. When the power cord is connected, but the dishwasher is not turned on and door is closed, press and hold the Delay button for 5s, the dishwasher display will show the usage count;
2. The counting will be done from units to thousands sequence as below: Rapid flash indicate units of cycles, 90min flash indicate tens of cycles, ECO flash indicate hundreds of cycles, Intensive flash indicate thousands of cycles;
3. For example, 1234 cycles will be indicated as below illustration.





# Merci !

Nous vous remercions d'avoir choisi ce produit VALBERG.

Choisis, testés et recommandés par ELECTRO DEPOT, les produits de la marque VALBERG sont simples d'utilisation, tout en offrant des performances fiables et une qualité irréprochable.

Grâce à cet appareil, vous êtes assuré(e) que chaque utilisation vous apportera satisfaction.

Bienvenue chez ELECTRO DEPOT.

Consultez notre site Internet : [www.electrodepot.fr](http://www.electrodepot.fr)



**ELECTRO DEPOT**

40

FR

## Table des matières

**A** **Aperçu de l'appareil**      Présentation du produit

---

**B** **Utilisation de l'appareil**      Guide de démarrage rapide  
Installation du produit  
Consignes d'utilisation

---

**C** **Informations utiles**      Nettoyage et entretien  
Dépannage  
Compteur d'utilisation

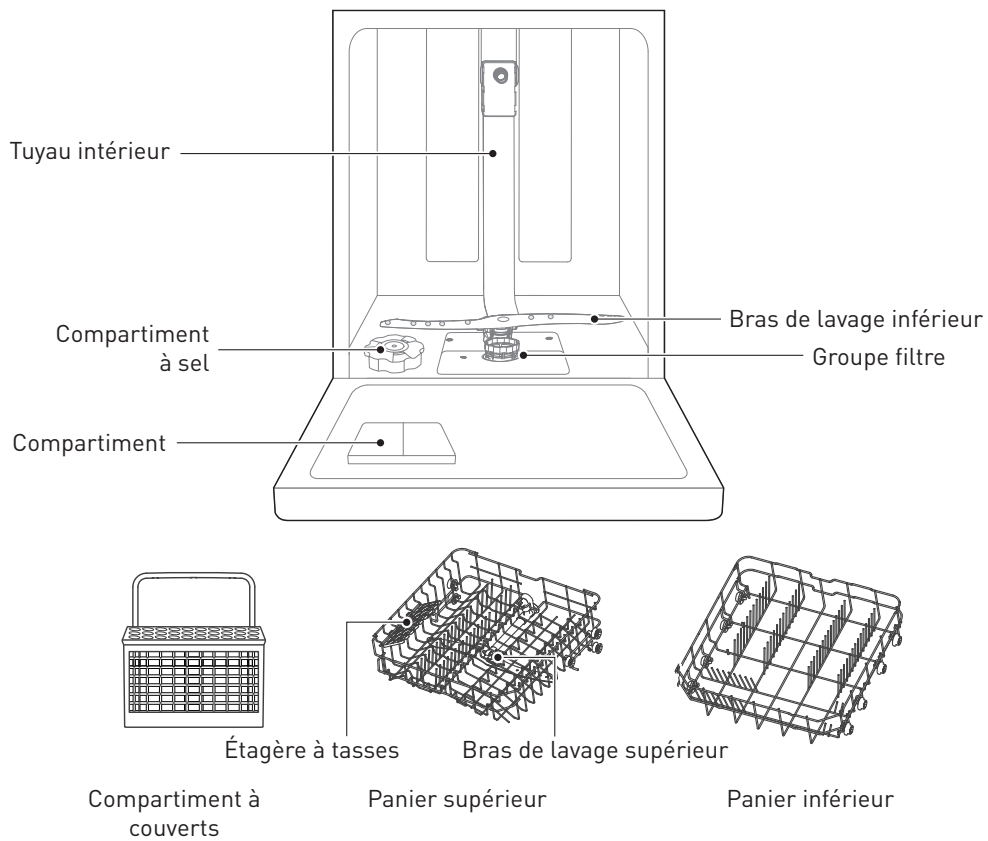
# A

## Aperçu de l'appareil

### Présentation du produit

#### REMARQUE IMPORTANTE :

Pour que votre lave-vaisselle donne des résultats optimaux, lisez toutes les consignes d'utilisation avant de l'utiliser pour la première fois.

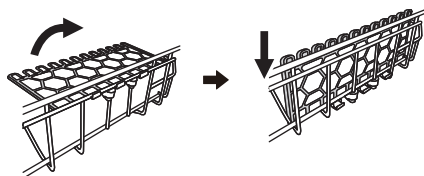


A

Aperçu de l'appareil

**REMARQUE :**

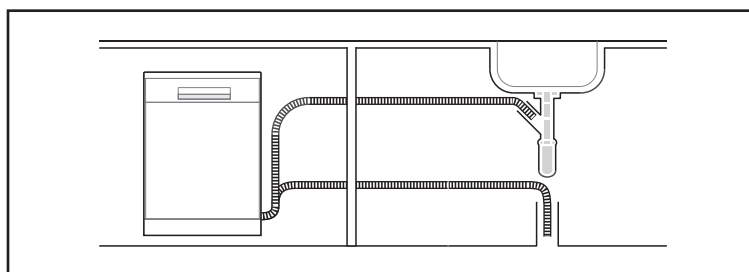
Pour faire de la place pour des objets de plus grande taille dans le panier supérieur, soulevez l'étagère à tasses vers le haut. Vous pourrez alors appuyer les grands verres contre l'étagère. Vous pouvez également retirer l'étagère si vous ne l'utilisez pas.



**Guide de démarrage rapide****AVERTISSEMENT :**

Merci de lire les chapitres correspondants dans le guide d'utilisation pour obtenir des consignes d'utilisation plus détaillées.

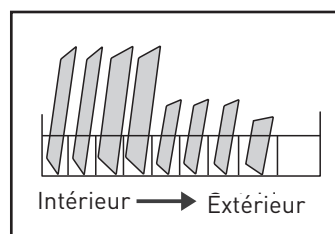
## 1. Installation du lave-vaisselle



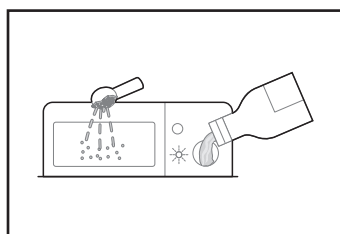
## 2. Retirez les plus gros résidus des assiettes. Évitez le pré-rinçage.



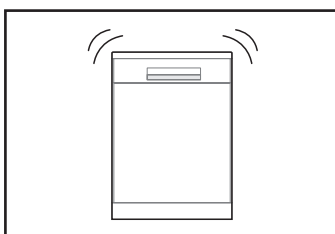
## 3. Chargez les paniers.



## 4. Remplissez les compartiments de détergent et de produit de rinçage.



## 5. Sélectionnez un programme adapté et démarrez le lave-vaisselle.



## B

## Utilisation de l'appareil

### Installation du produit

#### **AVERTISSEMENT :**

Risque de choc électrique

Débranchez l'alimentation électrique avant d'installer le lave-vaisselle.

Le non-respect de cette consigne pourrait entraîner la mort ou provoquer un choc électrique.

#### **ATTENTION :**

L'installation des tuyaux et des équipements électriques doit être réalisée par des professionnels.

### INFORMATIONS SUR LES BRANCHEMENTS ÉLECTRIQUES

#### **AVERTISSEMENT :**

Pour votre sécurité personnelle :

N'utilisez pas de rallonge ni d'adaptateur avec cet appareil. Vous ne devez en aucun cas couper ou retirer la connexion à la terre du cordon d'alimentation.

#### **Exigences en matière d'électricité**

Veillez consulter l'étiquette énergétique pour obtenir des informations sur la tension, avant de brancher le lave-vaisselle à une source d'alimentation appropriée. Utilisez le fusible requis de 10 A/13 A/16 A, le fusible temporisé ou le disjoncteur recommandé et prévoyez un circuit séparé alimentant uniquement cet appareil.

#### **Raccordement électrique**

Assurez-vous que la tension et la fréquence de l'alimentation électrique correspondent à celles qui sont indiquées sur la plaque signalétique. Ne branchez la fiche dans une prise de courant que si cette dernière est correctement mise à la terre.

Si la prise de courant à laquelle l'appareil doit être branché n'est pas adaptée à la fiche, remplacez la prise plutôt que d'utiliser un adaptateur ou un dispositif similaire, qui risquerait de provoquer une surchauffe et des brûlures.

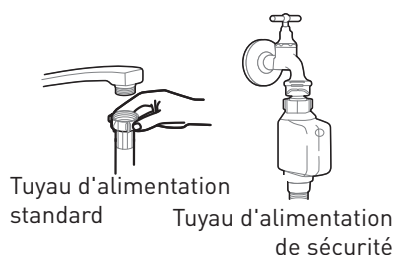
**AVERTISSEMENT :**

Vérifiez que l'appareil est correctement mis à la terre avant de l'utiliser.

**ARRIVÉE ET ÉVACUATION D'EAU****Raccordement à l'eau froide**

Raccordez le tuyau d'alimentation en eau froide à un raccord fileté d'1,9 cm et assurez-vous qu'il est bien serré.

Si les tuyaux d'alimentation en eau sont neufs ou n'ont pas été utilisés depuis longtemps, faites couler l'eau pour vérifier qu'elle est claire. Cette précaution est nécessaire pour éviter un risque de blocage de l'arrivée d'eau, ce qui pourrait endommager l'appareil.



Tuyau d'alimentation standard

Tuyau d'alimentation de sécurité

**À propos du tuyau d'alimentation de sécurité**

Le tuyau d'alimentation de sécurité comporte une double paroi. Ce système garantit son intervention, en bloquant le flux d'eau en cas de rupture du tuyau d'alimentation, et quand l'espace entre le tuyau d'alimentation lui-même et le tuyau ondulé extérieur est rempli d'eau.

**AVERTISSEMENT :**

Un tuyau relié à une douchette d'évier peut éclater s'il est installé sur la même conduite d'eau que le lave-vaisselle. Si votre évier en est équipé, il est recommandé de débrancher le tuyau et de boucher le trou.

**Comment raccorder le tuyau d'alimentation de sécurité ?**

1. Sortez complètement le tuyau d'alimentation de sécurité du compartiment de rangement situé à l'arrière du lave-vaisselle.
2. Serrez les vis du tuyau d'alimentation de sécurité sur un robinet avec un filetage de 1,9 cm.
3. Ouvrez complètement l'arrivée d'eau avant de démarrer le lave-vaisselle.

**Comment débrancher le tuyau d'alimentation de sécurité ?**

1. Fermez l'arrivée d'eau.
2. Dévissez le tuyau d'alimentation de sécurité du robinet.

## B

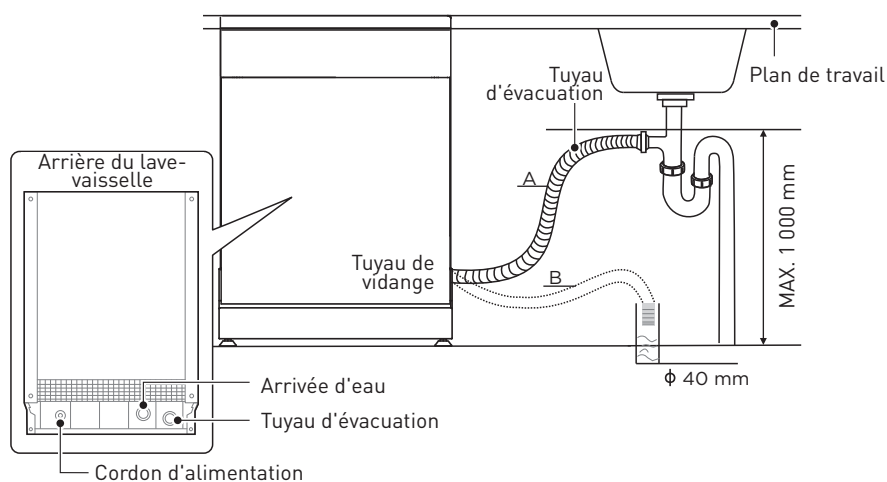
## Utilisation de l'appareil

### RACCORDEMENT DES TUYAUX DE VIDANGE

Insérez le tuyau de vidange dans un tuyau d'évacuation d'un diamètre minimum de 4 cm, ou laissez-le couler dans l'évier, en vous assurant d'éviter de le plier ou de le pincer. La hauteur du tuyau d'évacuation ne doit pas dépasser 1 000 mm. L'extrémité libre du tuyau ne doit pas être plongée dans l'eau pour éviter un retour d'eau.

### AVERTISSEMENT :

Veillez à fixer solidement le tuyau de vidange, soit en position A, soit en position B.



### Évacuation de l'excédent d'eau des tuyaux

Si le raccord au tuyau d'évacuation est positionné à plus de 1 000 mm de haut, de l'eau peut rester dans le tuyau. Il sera nécessaire de vider l'eau du tuyau dans un bol ou un autre récipient adapté, situé à l'extérieur et plus bas que l'évier.

### Sortie d'eau

Branchez le tuyau de vidange. Veillez à bien fixer le tuyau de vidange pour éviter les fuites d'eau. Assurez-vous que le tuyau de vidange n'est pas tordu ou écrasé.



**Rallonge de tuyau**

Si vous avez besoin d'une rallonge de tuyau de vidange, assurez-vous d'utiliser un tuyau de vidange similaire.

Elle ne doit pas mesurer plus de 4 mètres, sinon les performances de nettoyage de votre lave-vaisselle pourraient s'en trouver réduites.

**Raccordement du siphon**

Le raccord des eaux usées doit se trouver à une hauteur inférieure à 1 000 mm du bas de l'appareil.

**POSITIONNEMENT DE L'APPAREIL**

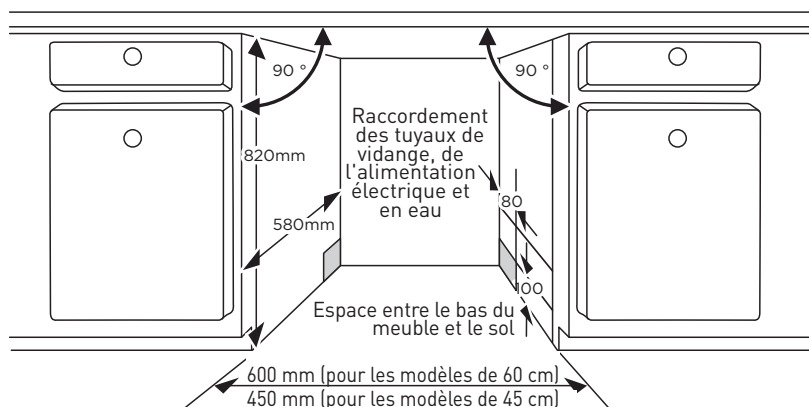
Placez le lave-vaisselle à l'endroit souhaité. L'arrière de l'appareil doit reposer contre le mur situé derrière lui, et les côtés contre les meubles ou murs adjacents. Ce lave-vaisselle est muni de tuyaux de vidange et d'alimentation en eau qui peuvent être positionnés sur le côté gauche ou droit pour faciliter l'installation.

**INSTALLATION ENCASTRÉE (POUR LE MODÈLE ENCASTRABLE)****Étape 1. Choix du meilleur emplacement pour le lave-vaisselle**

Le lave-vaisselle doit être installé à proximité de la prise de courant, de l'arrivée d'eau et du tuyau de vidange existants.

Illustration des dimensions du meuble et de la position d'installation du lave-vaisselle.

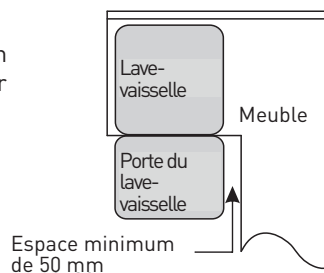
1. Moins de 5 mm entre le haut du lave-vaisselle et le meuble, ainsi que la porte extérieure alignée sur le meuble.



## B

### Utilisation de l'appareil

2. Si vous installez le lave-vaisselle dans l'angle d'un meuble, vous devez prévoir un espace suffisant pour l'ouverture de la porte.



#### AVERTISSEMENT :

Selon l'endroit où se trouve votre prise électrique, il est possible qu'il soit nécessaire de pratiquer une ouverture dans le côté opposé du meuble.

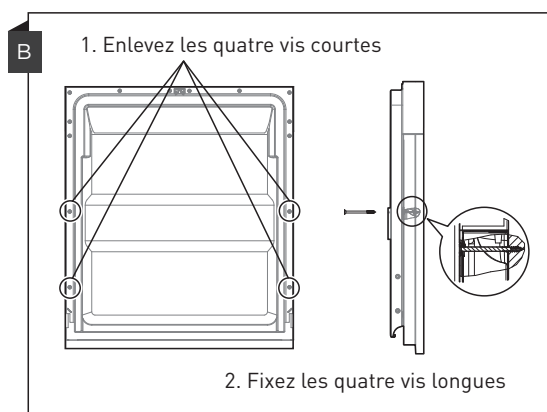
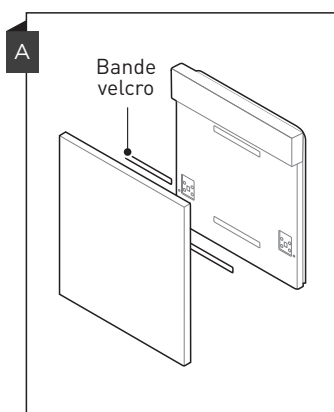
#### Étape 2. Dimensions et installation de la façade

#### AVERTISSEMENT :

Suivez les instructions d'installation spécifiques pour fixer la façade.

#### Modèle semi-encastré

Détachez la bande velcro A de la bande velcro B et fixez la bande velcro A sur la face intérieure de la façade. Fixez la bande velcro B sur la porte extérieure du lave-vaisselle (voir figure A). Après avoir positionné la façade, fixez-la sur la porte extérieure à l'aide de vis et de boulons (voir figure B).

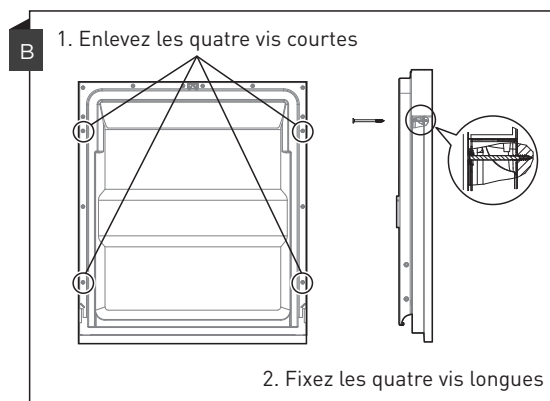
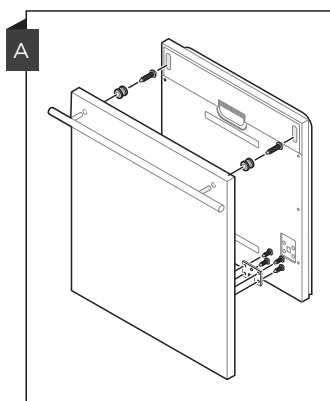


## B

## Utilisation de l'appareil

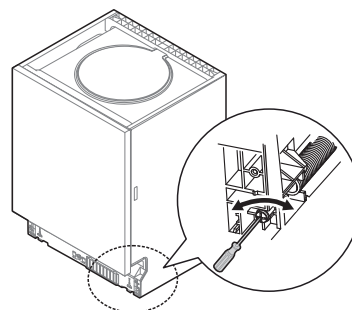
### Modèle entièrement encastré

Installez le crochet sur la façade et insérez le crochet dans la fente de la porte extérieure du lave-vaisselle (voir figure A). Après avoir positionné la façade, fixez-la sur la porte extérieure à l'aide de vis et de boulons (voir figure B).



### Étape 3. Réglage de la tension des ressorts de la porte

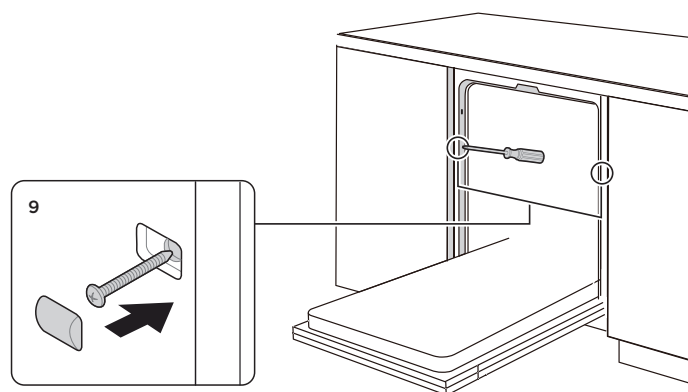
1. Les ressorts de porte sont réglés en usine avec une tension adaptée à la porte extérieure. Si vous installez une façade, vous devrez régler la tension des ressorts de la porte. Tournez la vis de réglage afin d'entraîner le tendeur et de tendre ou détendre le câble en acier.
2. La tension des ressorts de la porte est correcte lorsque la porte reste à l'horizontale en position complètement ouverte, mais remonte en position fermée d'une simple pression du doigt.



**Étape 4. Étapes d'installation du lave-vaisselle****AVERTISSEMENT :**

Veillez vous référer aux étapes d'installation spécifiques dans les schémas correspondants.

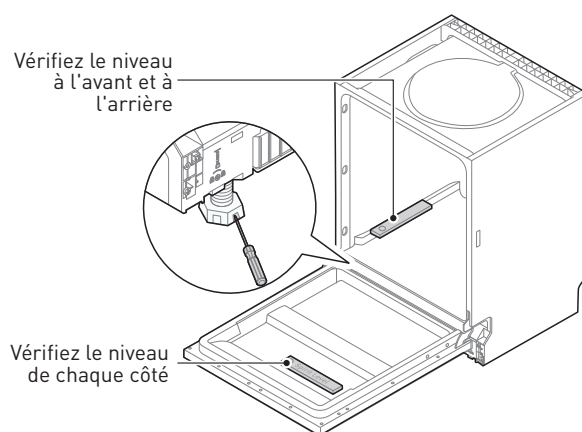
1. Fixez la bande de condensation sous la surface du plan de travail du meuble. Assurez-vous que la bande de condensation est bien alignée avec le bord du plan de travail. (Étape 2)
2. Branchez le tuyau d'alimentation sur l'arrivée d'eau froide.
3. Connectez le tuyau de vidange.
4. Branchez le cordon d'alimentation.
5. Placez le lave-vaisselle dans le meuble.
6. Mettez le lave-vaisselle de niveau. Le pied arrière peut être réglé depuis l'avant du lave-vaisselle en tournant la vis cruciforme au milieu de la base du lave-vaisselle, à l'aide d'un tournevis cruciforme. Pour régler les pieds avant, utilisez un tournevis plat et tournez les pieds avant jusqu'à ce que le lave-vaisselle soit de niveau. (Étapes 5 à 6)
7. Installez la porte du meuble sur la porte extérieure du lave-vaisselle. (Étapes 7 à 10)
8. Réglez la tension des ressorts de la porte à l'aide d'un tournevis cruciforme, en tournant dans le sens des aiguilles d'une montre pour resserrer les ressorts de la porte sur la gauche et sur la droite. Si vous ne respectez pas cette consigne, vous risquez d'endommager votre lave-vaisselle. (Étape 11)
9. Le lave-vaisselle doit être fixé en place. fixez le côté à l'aide de vis.



**Étape 5. Mise à niveau du lave-vaisselle**

Le lave-vaisselle doit être de niveau pour un bon fonctionnement du panier à vaisselle et des performances de lavage optimales.

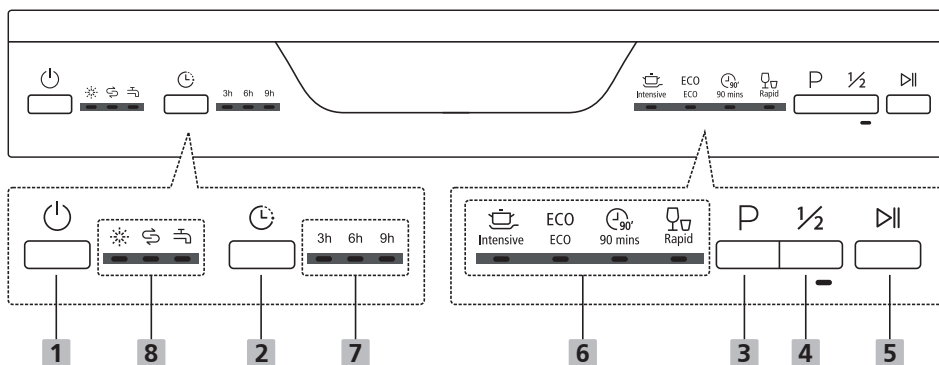
1. Placez un niveau à bulle sur la porte et sur le rail à l'intérieur de la cuve, de la manière indiquée, pour vérifier que l'appareil est de niveau.
2. Mettez le lave-vaisselle de niveau en réglant chacun des trois pieds réglables.
3. Lorsque vous mettez le lave-vaisselle de niveau, veillez à ne pas le faire basculer.



# B

## Utilisation de l'appareil

### Consignes d'utilisation



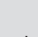

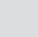

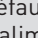


#### Description

<b>1</b>	Alimentation	<ul style="list-style-type: none"> <li>Appuyez sur ce bouton pour allumer votre lave-vaisselle.</li> </ul>
<b>2</b>	Départ différé	<ul style="list-style-type: none"> <li>Appuyez sur ce bouton pour régler la durée du départ différé ; le témoin correspondant s'allumera.</li> </ul>
<b>3</b>	Programme	<ul style="list-style-type: none"> <li>Sélectionnez le programme de lavage approprié ; le voyant du programme sélectionné s'allume.</li> </ul>
<b>4</b>	Demi-charge	<ul style="list-style-type: none"> <li>Si votre lave-vaisselle n'est qu'à moitié plein, ou moins, vous pouvez sélectionner cette fonction pour économiser de l'énergie et de l'eau. (Ne peut être utilisé qu'avec les programmes Intensif, ÉCO et 90 min.)</li> </ul>
<b>5</b>	Démarrage/pause	<ul style="list-style-type: none"> <li>Appuyez sur ce bouton pour lancer le programme de lavage sélectionné ou interrompre le programme en cours.</li> </ul>
<b>6</b> Témoins des programmes	Intensif	<ul style="list-style-type: none"> <li>Vaisselle très sale, dont des casseroles et des poêles présentant de la nourriture collée.</li> </ul>
	ECO ECO	<ul style="list-style-type: none"> <li>Il s'agit du programme standard, qui convient pour laver une vaisselle normalement sale, et qui offre le meilleur rendement en termes de consommation combinée d'eau et d'énergie pour ce type de vaisselle.</li> </ul>
	90 min	<ul style="list-style-type: none"> <li>Pour les charges normalement sales nécessitant un lavage rapide.</li> </ul>
	Rapide	<ul style="list-style-type: none"> <li>Un cycle plus court pour une vaisselle légèrement sale ne nécessitant pas de séchage.</li> </ul>

## B

## Utilisation de l'appareil




		Description
<b>7</b>	 Durée du départ différé	<ul style="list-style-type: none"> <li>• Affiche la durée du départ différé (3 h/6 h/9 h).</li> </ul>
<b>8</b> Témoins d'avertissement	 Produit de rinçage	<ul style="list-style-type: none"> <li>• Si le témoin «  » s'allume, cela signifie que le niveau de produit de rinçage du lave-vaisselle est faible et que le compartiment correspondant doit être rempli.</li> </ul>
	 Sel	<ul style="list-style-type: none"> <li>• Si le témoin «  » s'allume, cela signifie que le niveau de sel régénérant du lave-vaisselle est faible et que le compartiment correspondant doit être rempli.</li> </ul>
	 Défaut d'alimentation en eau	<ul style="list-style-type: none"> <li>• Si le témoin «  » s'allume, cela signifie que le lave-vaisselle n'est pas alimenté en eau.</li> </ul>

## B

## Utilisation de l'appareil

### PROGRAMMES

Le tableau ci-dessous indique les programmes qui conviennent le mieux en fonction des quantités de résidus de nourriture sur la vaisselle, ainsi que la quantité de détergent requise. Il donne également diverses informations sur les programmes. Les valeurs de consommation et la durée des programmes sont indicatives, hormis pour le programme ÉCO. (●) indique que le programme utilise du produit de rinçage lors du dernier rinçage.

Programme	Description du cycle	Détergent Prélavage/ Lavage principal	Durée de fonctionnement (min)	Énergie (kWh)	Eau (L)	Rinçage rinçage
 Intensif	Prélavage Lavage (60 °C) Rinçage Rinçage (65 - 72 °C) Séchage	$\frac{4/16 \text{ g}}{1 \text{ ou } 2 \text{ tablettes}}$	175	1,275 - 1,385	13,9	●
<b>ÉCO</b> (*EN60436)	Lavage (50 °C) Rinçage Rinçage (45 °C) Séchage	$\frac{20 \text{ g}}{1 \text{ pastille}}$	210	0,824	11,0	●
 90 min	Lavage (55 °C) Rinçage Rinçage (60 - 65 °C) Séchage	$\frac{20 \text{ g}}{1 \text{ pastille}}$	90	0,955- 1,030	11,2	●
 Rapide	Lavage (45 °C) Rinçage Rinçage (45 °C)	$\frac{12 \text{ g}}{1 \text{ pastille}}$	30	0,584	10,3	○

### REMARQUE :

ÉCO (\*EN 60436) : Le programme ÉCO convient pour laver de la vaisselle normalement sale. Il s'agit du programme le plus efficace en termes de consommation combinée d'eau et d'énergie. Il est utilisé pour évaluer la conformité avec la législation de l'UE en matière d'écoconception.



**PRÉPARATION ET CHARGEMENT DE LA VAISSELLE**

Pensez à acheter des ustensiles qui portent la mention « Résiste au lave-vaisselle ».  
Pour les objets délicats, sélectionnez un programme avec la température la plus basse possible.  
Pour éviter de les endommager, ne sortez pas les verres et les couverts du lave-vaisselle dès la fin du programme.

**Couverts/vaisselle passant au lave-vaisselle****Ne conviennent pas**

Les couverts avec des manches en bois, en corne, en porcelaine ou en nacre  
Les articles en plastique qui ne résistent pas à la chaleur  
Les couverts anciens avec des parties collées qui ne résistent pas à des températures élevées  
La vaisselle ou les couverts collés  
La vaisselle en étain ou en cuivre  
Les verres en cristal  
Les objets en acier susceptibles de rouiller  
Plats en bois  
Les objets fabriqués à partir de fibres synthétiques

**Convient de manière limitée**

Certains types de verres peuvent devenir ternes au bout d'un grand nombre de lavages  
Les objets en argent et en aluminium ont tendance à se décolorer au cours du lavage  
Les motifs vernis risquent de s'effacer s'ils sont fréquemment lavés en machine

**Recommandations pour le chargement du lave-vaisselle**

Enlevez les éventuels gros restes de nourriture. Ramollissez les restes d'aliments brûlés présents dans les ustensiles de cuisson. Il n'est pas nécessaire de rincer la vaisselle sous l'eau courante.  
Pour que votre lave-vaisselle donne un résultat optimal, suivez ces conseils de chargement.  
**(Les caractéristiques et l'aspect des paniers à vaisselle et à couverts peuvent varier selon les modèles.)**

Placez les objets dans le lave-vaisselle de la manière suivante :

Les objets tels que les tasses, verres, ustensiles de cuisson, etc. doivent être orientés vers le bas.

Les objets incurvés ou comportant des renforcements doivent être chargés en biais pour que l'eau puisse s'écouler.

Tous les ustensiles doivent être bien rangés, pour qu'ils ne risquent pas de basculer.

Tous les ustensiles doivent être placés de manière à ce que les bras de lavage puissent tourner librement au cours du lavage.

Chargez les objets creux, comme les tasses, verres, casseroles, etc. Leur ouverture doit être tournée vers le bas,

pour qu'ils ne se remplissent pas d'eau.

## B

## Utilisation de l'appareil

La vaisselle et les couverts ne doivent pas être emboîtés les uns dans les autres, ni se couvrir les uns les autres.

Pour éviter de les abîmer, les verres ne doivent pas se toucher.

Le panier supérieur est conçu pour accueillir la vaisselle plus délicate et légère, comme les verres, les tasses à café ou à thé.

Les couteaux à longue lame rangés à la verticale présentent un danger potentiel !

Les couverts longs et tranchants, tels que des couteaux à découper, doivent être positionnés horizontalement dans le panier supérieur.

Ne surchargez pas votre lave-vaisselle. Ceci est important pour obtenir de bons résultats et pour une consommation d'énergie raisonnable.

### REMARQUE :

Les très petits objets ne doivent pas être lavés au lave-vaisselle, car ils pourraient facilement tomber du panier.

### Déchargement de la vaisselle

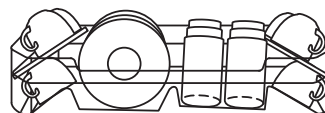
Pour éviter que l'eau ne goutte depuis le panier supérieur sur le panier inférieur, nous vous recommandons de vider d'abord le panier inférieur et ensuite le niveau supérieur.

### AVERTISSEMENT :

La vaisselle sera chaude ! Pour éviter de les abîmer, attendez environ 15 minutes après la fin du programme avant de sortir les verres et les couverts du lave-vaisselle.

### Chargement du panier supérieur

Le panier supérieur est conçu pour ranger la vaisselle plus délicate et légère, comme les verres, les soucoupes, les tasses à café ou à thé, ainsi que les assiettes, les petits bols et les plats peu profonds (à condition qu'ils ne soient pas trop sales). Positionnez la vaisselle et les ustensiles de cuisson de façon à ce qu'ils ne puissent pas être déplacés par le jet d'eau.



## B

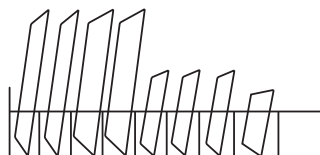
## Utilisation de l'appareil

### Chargement du panier inférieur

Nous vous conseillons de placer les grands objets difficiles à laver dans le panier inférieur : casseroles, poêles, couvercles, plats de service et saladiers, comme indiqué dans le schéma ci-dessous.

Il est préférable de placer les plats de service et les couvercles sur le côté des paniers à vaisselle, afin d'éviter de bloquer la rotation du bras de lavage supérieur.

Le diamètre maximal conseillé pour les assiettes placées devant le compartiment à détergent est de 19 cm, pour ne pas entraver l'ouverture.



### Chargement du compartiment à couverts

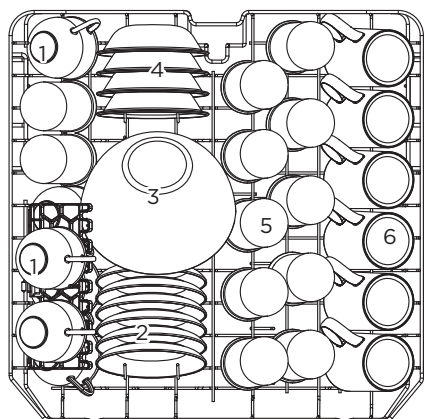
Les couverts doivent être placés dans le compartiment à couverts en les séparant les uns des autres et dans la position appropriée. Évitez de trop regrouper les couverts ; cela nuirait aux performances de lavage.

### **AVERTISSEMENT :**

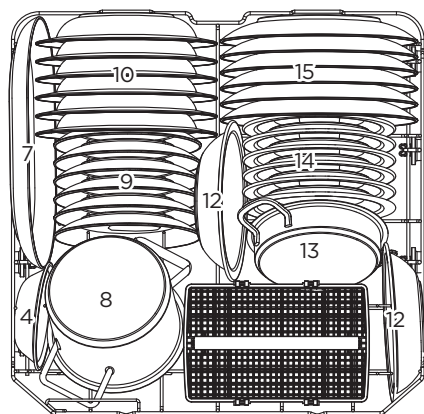
Ne laissez pas de couverts dépasser du bas du panier.  
Placez toujours les ustensiles tranchants avec la pointe vers le bas !

**CHARGEMENT DES PANIERS CONFORMÉMENT À LA NORME EN 60436 :**

Charger le lave-vaisselle à sa pleine capacité permet d'économiser de l'énergie et de l'eau.

**1. Panier supérieur :**

Numéro		Catégorie
1	D = 7,8 cm H = 4,5 cm	Tasses
2	D = 14 cm	Soucoupes
3	D = 18,6 cm H = 9,5 cm	Saladier en verre
4	D = 13 cm	Couppelles à dessert
5	D = 6 cm H = 12 cm	Verres
6	D = 7 cm H = 10 cm	Tasses hautes

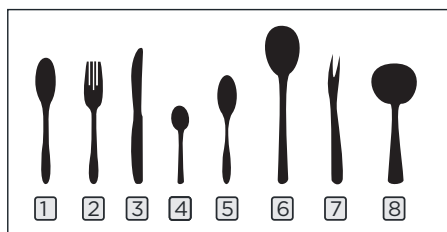
**2. Panier inférieur :**

Numéro		Catégorie
7	D = 32 cm	Plat ovale
8	D = 16 cm H = 10,5 cm	Petite casserole
9	D = 19 cm	Assiettes à dessert
10	D = 23 cm	Assiettes creuses
11		Panier à couverts
12	D = 21,3 cm	Bols en mélamine
13	D = 16 cm H = 4,1 cm	Plat allant au four
14	D = 19,5 cm	Assiettes à dessert en mélamine
15	D = 25 cm	Grandes assiettes

## 3. Panier à couverts :

	1	2	1		4	4	4	4	4	4		1	2	1	
	2	2	2			8			7			3	3		2
	1	2	1		4	4	4	4	4	4		1	3	1	
	1	2	1		5	5	5	5	5	5		3	3	3	
	2	2	2			3			3			3	3	3	3
	1	2	1		5	5	5	5	5	5		6		6	

IN



Numéro	Catégorie
1	Cuillères à soupe
2	Fourchettes
3	Couteaux
4	Cuillères à thé
5	Cuillères à dessert
6	Cuillères de service
7	Fourchette de service
8	Louche

Informations pour les tests de comparabilité, conformément à la norme EN 60436

Capacité : Configuration 12 couverts

Position du panier supérieur : position basse

Programme : ECO

Réglage du produit de rinçage : Max.

Réglage de l'adoucisseur d'eau : H3

**CHARGEMENT DU SEL DANS L'ADOUCCISEUR D'EAU****REMARQUE :**

Si votre modèle ne possède pas d'adoucisseur d'eau, vous pouvez passer ce chapitre. Employez toujours du sel destiné à être utilisé dans un lave-vaisselle.

La dureté de l'eau varie d'un endroit à l'autre. Si une eau calcaire est utilisée dans le lave-vaisselle, des dépôts vont se former sur la vaisselle et les ustensiles. Cet appareil est équipé d'un adoucisseur spécial qui utilise un compartiment à sel spécifiquement conçu pour éliminer le calcaire et les minéraux de l'eau. Le compartiment à sel se trouve sous le panier inférieur et doit être rempli conformément aux explications ci-dessous :

**AVERTISSEMENT :**

Utilisez uniquement du sel conçu spécifiquement pour les lave-vaisselle !

Tout autre type de sel qui n'est pas spécifiquement destiné à être utilisé dans un lave-vaisselle, en particulier le sel de table, endommagerait l'adoucisseur d'eau. En cas de dommages imputables à l'utilisation d'un sel inapproprié, le fabricant décline toute garantie ainsi que toute responsabilité quant aux dommages causés.

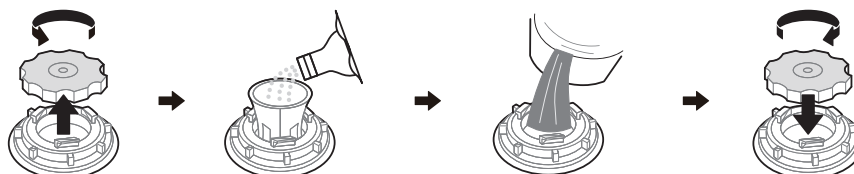
Attendez d'être prêt(e) à lancer un cycle de lavage avant de remplir le réservoir de sel.

Ceci évitera que d'éventuels grains de sel ou de l'eau salée qui auraient été renversés et seraient restés au fond de la machine pendant un certain temps ne génèrent de la corrosion.

## B

## Utilisation de l'appareil

Suivez les étapes ci-dessous pour ajouter du sel régénérant :



1. Sortez le panier inférieur et dévissez le bouchon du compartiment.
2. Placez l'extrémité de l'entonnoir (si fourni) dans l'orifice et versez-y environ 1,5 kg de sel régénérant.
3. Remplissez d'eau le compartiment à sel jusqu'à la limite maximale. Il est normal qu'une petite quantité d'eau ressorte du compartiment.
4. Après avoir rempli le compartiment, revissez bien le bouchon.
5. Le témoin lumineux du sel s'éteindra une fois que le compartiment aura été rempli de sel.
6. Immédiatement après avoir rempli le compartiment à sel, il faut lancer un programme de lavage (nous vous suggérons d'utiliser un programme court). Dans le cas contraire, le système de filtration, la pompe ou d'autres pièces importantes de la machine pourraient être endommagés par l'eau salée. Ce type d'incident n'est pas couvert par la garantie.

### REMARQUE :

Le compartiment à sel ne doit être rempli que lorsque le témoin lumineux correspondant s'allume sur le panneau de commande. Selon la facilité avec laquelle le sel se dissout, il est possible que le témoin lumineux du sel reste allumé, bien que le compartiment soit rempli. En l'absence d'un témoin du sel sur le panneau de commande (pour certains modèles), le moment où vous devrez remplir le compartiment de sel peut être estimé en fonction du nombre de cycles effectués par le lave-vaisselle. Si vous avez renversé du sel, lancez un programme rapide ou de trempage pour l'éliminer.

### ADOUCCISSEUR D'EAU

L'adoucisseur d'eau doit être réglé manuellement, à l'aide de l'indicateur de la dureté de l'eau. L'adoucisseur d'eau est conçu pour éliminer les minéraux et les sels de l'eau qui auraient un effet nuisible ou indésirable sur le fonctionnement de l'appareil.

Plus la teneur en minéraux de votre eau est élevée et plus elle est calcaire.

L'adoucisseur doit être réglé en fonction de la dureté de l'eau dans votre région.

Votre service local des eaux peut vous renseigner sur la dureté de l'eau dans votre région.

### Réglage de la consommation de sel

Ce lave-vaisselle est conçu pour permettre le réglage de la quantité de sel utilisée en fonction de la dureté de l'eau. Ceci permet d'optimiser et d'adapter le niveau de consommation de sel.

Veillez suivre les étapes ci-dessous pour le réglage de la consommation de sel :

1. Fermez la porte et allumez l'appareil.
2. Dans les 60 secondes suivant la mise sous tension de l'appareil, appuyez sur le bouton Programmes pendant plus de 5 secondes pour accéder au mode de réglage de l'adoucisseur d'eau.
3. Appuyez à nouveau sur le bouton Programmes pour sélectionner le bon réglage selon la dureté de l'eau. L'ordre d'affichage des réglages est le suivant : H3 -> H4 -> H5 -> H6 -> H1 -> H2 -> H3.
4. Pour terminer les réglages et sortir de ce mode, n'appuyez sur aucun bouton pendant 5 secondes ou appuyez sur le bouton d'alimentation.

DURETÉ DE L'EAU				Niveau de l'adoucisseur d'eau	La régénération a lieu tous les X programmes <sup>1)</sup>	Consommation de sel (grammes/cycle)
Degrés allemands ° dH	Degrés français ° fH	Degrés anglais ° Clark	mmol/l			
0 - 5	0 - 9	0 - 6	0 - 0,94	H1 : Témoin « Rapide » allumé	Aucune régénération	0
6 - 11	10 - 20	7 - 14	1,0 - 2,0	H2 : Témoin « 90 min » allumé	10	9
12 - 17	21 - 30	15 - 21	2,1 - 3,0	H3 : Témoins « Rapide » et « 90 min » allumés	5	12
18 - 22	31 - 40	22 - 28	3,1 - 4,0	H4 : Témoin ÉCO allumé	3	20
23 - 34	41 - 60	29 - 42	4,1 - 6,0	H5 : Témoins « ÉCO » et « Rapide » allumés	2	30
35 - 55	61 - 98	43 - 69	6,1 - 9,8	H6 : Témoins « 90 min » et « ECO » allumés	1	60

1 ° dH = 1,25 ° Clark = 1,78 ° fH = 0,178 mmol/l

### Réglage d'usine : H3

<sup>1)</sup> Chaque cycle avec opération de régénération consomme 2,0 litres d'eau supplémentaires, la consommation électrique augmente de 0,02 kWh et le programme s'allonge de 4 minutes.



**FONCTION DU PRODUIT DE RINÇAGE ET DU DÉTERGENT**

Le produit de rinçage est libéré lors du dernier rinçage afin d'éviter que l'eau ne forme des gouttelettes sur votre vaisselle, susceptibles de laisser des traces et des taches. Il améliore aussi le séchage en permettant à l'eau de s'écouler sur la vaisselle. Votre lave-vaisselle est conçu pour utiliser des produits de rinçage liquides.

**AVERTISSEMENT :**

Utilisez toujours un produit de rinçage de marque pour votre lave-vaisselle. Ne remplissez jamais le compartiment à produit de rinçage avec d'autres substances (par exemple, du produit de nettoyage pour lave-vaisselle, du détergent liquide). Cela endommagerait votre appareil.

**Quand faut-il remplir à nouveau le compartiment à produit de rinçage ?**

Si le témoin du produit de rinçage (☼) sur le panneau de commande n'est pas allumé, vous pouvez toujours évaluer la quantité de produit restante d'après la couleur de l'indicateur visuel de niveau, situé près du bouchon. Quand le compartiment à produit de rinçage est plein, l'indicateur est complètement noir. La taille du point noir diminue proportionnellement à la baisse de la quantité de produit de rinçage. Vous ne devez jamais laisser le niveau du produit de rinçage descendre en dessous d'1/4 plein.

La taille du point noir sur l'indicateur évolue en fonction du niveau du produit de rinçage, comme indiqué dans l'illustration ci-dessous.

Plein       3/4 plein       1/2 plein       1/4 plein       Vide

**Fonction du détergent**

Les composants chimiques du détergent sont nécessaires pour enlever les saletés, les broyer et les évacuer du lave-vaisselle. La plupart des détergents de qualité commerciale conviennent à cet effet.

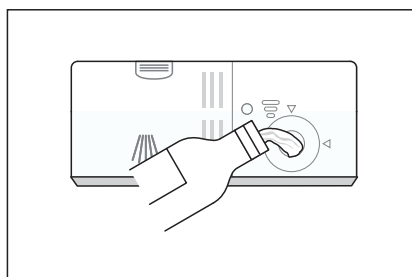
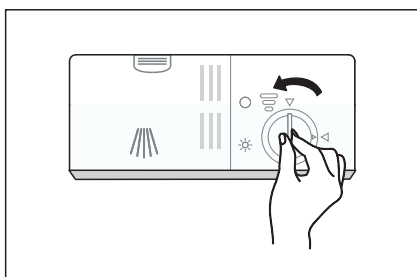
**AVERTISSEMENT :**

Utilisation correcte du détergent

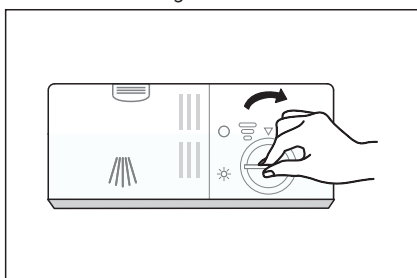
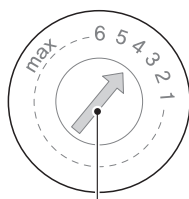
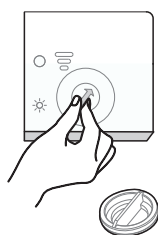
Utilisez uniquement des détergents conçus spécialement pour être utilisés dans un lave-vaisselle. Conservez votre détergent dans un endroit frais et sec. Ne mettez pas de détergent dans le compartiment tant que vous n'êtes pas prêt(e) à démarrer le lave-vaisselle. Le détergent pour lave-vaisselle est corrosif ! Conservez le détergent pour lave-vaisselle hors de portée des enfants.

**REPLISSAGE DU COMPARTIMENT À PRODUIT DE RINÇAGE**

1. Retirez le bouchon du compartiment à produit de rinçage en le tournant dans le sens inverse des aiguilles d'une montre.
2. Versez le produit de rinçage avec précaution dans son compartiment, en évitant tout débordement.



3. Fermez le bouchon du compartiment à produit de rinçage en le tournant dans le sens des aiguilles d'une montre.

**Réglage du compartiment à produit de rinçage**

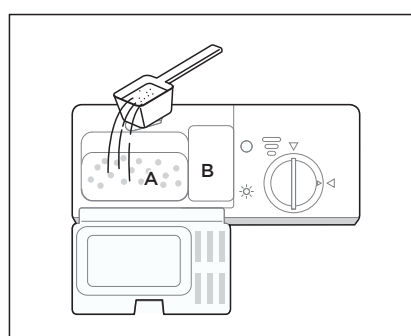
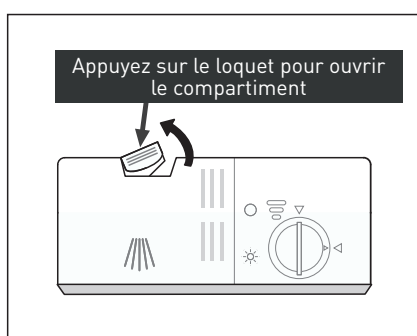
Molette de réglage (produit de rinçage)

Tournez le cadran indicateur de produit de rinçage sur le nombre souhaité. Plus le chiffre est élevé, plus le lave-vaisselle utilisera de produit de rinçage.

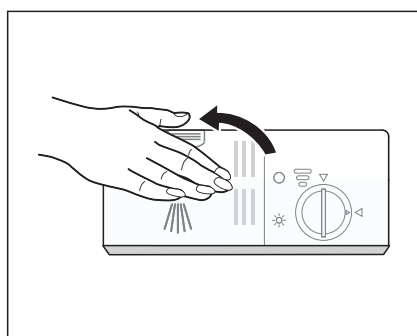
Si la vaisselle ne sèche pas correctement ou présente des taches, réglez la molette sur le chiffre supérieur suivant, jusqu'à ce que votre vaisselle ne comporte plus de taches. Réglez-la sur un chiffre inférieur si vous remarquez des taches collantes blanchâtres sur vos assiettes ou un film bleuté sur la verrerie ou les lames de couteaux.

**REPLISSAGE DU COMPARTIMENT À DÉTERGENT**

1. Ouvrez le couvercle du compartiment à détergent en appuyant sur le loquet de déverrouillage.
2. Versez du détergent dans la cavité la plus grande (A) pour le lavage principal. Si la vaisselle est très sale, ajoutez également du détergent dans la plus petite cavité (B), pour qu'il soit libéré lors du prélavage.



3. Refermez le couvercle en appuyant dessus jusqu'à ce qu'il s'enclenche.

**REMARQUE :**

Merci de suivre les recommandations du fabricant indiquées sur l'emballage du détergent.

### ÉCONOMIES D'ÉNERGIE

1. Le pré-rinçage de la vaisselle augmente la consommation d'eau et d'énergie, et n'est pas recommandé.
2. Laver la vaisselle dans un lave-vaisselle domestique consomme généralement moins d'eau et d'énergie que le lavage manuel de la vaisselle, lorsque le lave-vaisselle est utilisé conformément aux instructions.

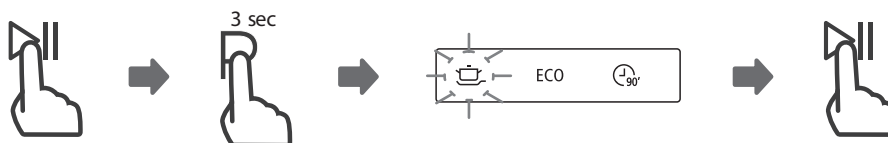
### DÉMARRAGE D'UN PROGRAMME

1. Sortez les paniers supérieur et inférieur, chargez la vaisselle, puis rentrez-les à nouveau. Il est recommandé de charger d'abord le panier inférieur et ensuite le niveau supérieur.
2. Versez le détergent.
3. Branchez la fiche dans la prise de courant. Pour les informations relatives à l'alimentation électrique, référez-vous à la « Fiche produit » en dernière page. Assurez-vous que l'alimentation en eau est ouverte à pleine pression.
4. Fermez la porte et appuyez sur le bouton d'alimentation.
5. Choisissez un programme, le témoin correspondant s'allumera. Appuyez ensuite sur le bouton « Départ/Pause », le lave-vaisselle débutera son cycle.

### CHANGEMENT DE PROGRAMME EN COURS DE CYCLE

Un programme ne peut être changé que s'il ne fonctionne que depuis peu de temps, sinon le détergent peut déjà avoir été libéré, ou l'eau de lavage avec le détergent peut déjà avoir été évacuée. Si c'est le cas, le lave-vaisselle devra être reprogrammé et le compartiment à détergent devra être rempli à nouveau. Pour reprogrammer le lave-vaisselle, suivez les instructions ci-dessous :

1. Appuyez sur le bouton Départ/Pause pour arrêter le lavage.
2. Appuyez sur le bouton « Programmes » pendant plus de 3 secondes pour annuler le programme.
3. Appuyez sur le bouton Programme afin de sélectionner le programme de votre choix.
4. Appuyez sur le bouton Départ/Pause et le lave-vaisselle se mettra en route.



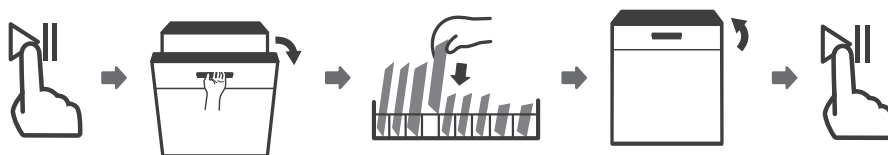
## B

## Utilisation de l'appareil

### AJOUT DE VAISSELLE OUBLIÉE

Vous pouvez ajouter de la vaisselle oubliée à tout moment avant l'ouverture du compartiment à détergent. Dans ce cas, suivez les instructions ci-dessous :

1. Appuyez sur le bouton Départ/Pause pour arrêter le lavage.
2. Attendez 5 secondes avant d'ouvrir la porte.
3. Ajoutez la vaisselle oubliée.
4. Fermez la porte.
5. Appuyez sur le bouton Départ/Pause ; le lave-vaisselle se mettra en marche au bout de 10 secondes.



### AVERTISSEMENT :

Il est dangereux d'ouvrir la porte en cours de cycle, car la vapeur chaude pourrait vous brûler.

### OUVERTURE AUTOMATIQUE / ACTIV'DOOR

À la fin du lavage, la porte s'ouvrira automatiquement (ne peut pas être annulé) par défaut pour un séchage optimal. Le programme Rapide n'a pas la fonction Ouverture automatique.

acti  
door



### REMARQUE :

La porte du lave-vaisselle ne doit pas être bloquée quand elle est réglée pour s'ouvrir automatiquement. Cela pourrait nuire à la fonctionnalité de verrouillage de la porte. L'ouverture automatique de la porte n'indique pas que le programme de lavage est terminé. Il faut attendre que le voyant lumineux ou l'écran d'affichage n'affiche plus rien, ce qui indique la fin de l'ensemble du programme en cours.

## Nettoyage et entretien

### ENTRETIEN DE L'EXTÉRIEUR DE L'APPAREIL

#### Porte et joint de la porte

Nettoyez régulièrement les joints de porte à l'aide d'un chiffon doux humide, pour éliminer les résidus de nourriture. Lors du chargement du lave-vaisselle, des résidus d'aliments et de boissons peuvent couler sur les côtés de la porte du lave-vaisselle. Ces surfaces se trouvent à l'extérieur de la cuve et l'eau des bras de lavage ne parvient pas jusqu'à elles. Tous résidus doivent être essuyés avant de fermer la porte.

#### Panneau de commande

S'il est nécessaire de le nettoyer, le panneau de commande doit être essuyé uniquement avec un chiffon doux humide.

### AVERTISSEMENT :

Pour éviter toute pénétration d'eau dans le dispositif de verrouillage de la porte et les composants électriques, n'utilisez jamais de spray nettoyant, quel qu'il soit. N'utilisez jamais de tampons ou de nettoyants abrasifs sur les surfaces externes de l'appareil, car ils risqueraient de rayer la finition. Certains papiers essuie-tout peuvent également rayer la surface ou y laisser des marques.

### ENTRETIEN DE L'INTÉRIEUR DE L'APPAREIL

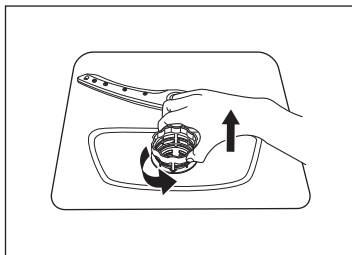
#### Système de filtration

Le système de filtration à la base de la cuve retient les petits débris du cycle de lavage, y compris des corps étrangers comme les cure-dents ou les tessons. Les résidus recueillis peuvent obstruer les filtres. Vérifiez régulièrement l'état des filtres, retirez soigneusement les corps étrangers et nettoyez les différentes parties du système de filtration à l'eau si nécessaire. Suivez les étapes ci-après pour nettoyer le filtre.

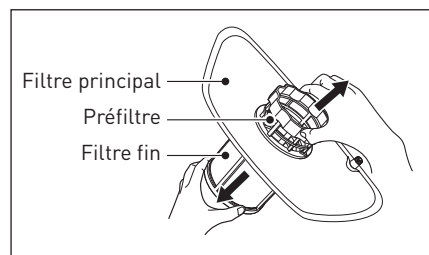
### AVERTISSEMENT :

Les illustrations sont fournies à titre indicatif uniquement, les modèles de systèmes de filtration et de bras de lavage peuvent varier.

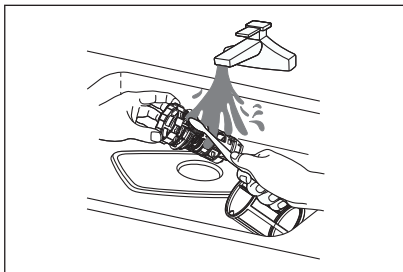
1. Prenez le préfiltre et faites-le tourner dans le sens inverse des aiguilles d'une montre pour libérer l'ensemble du système. Tirez le filtre vers le haut et sortez-le du lave-vaisselle.



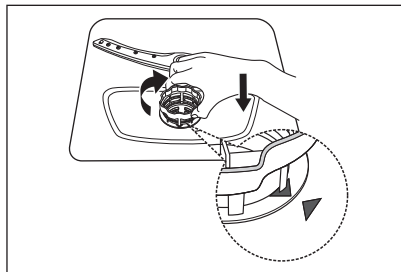
2. Tirez le filtre fin vers le bas pour le désolidariser du groupe filtre. Le préfiltre peut être séparé du filtre principal en appuyant doucement sur les languettes en haut du filtre et en tirant sur le filtre pour le sortir.



3. Les plus gros résidus de nourriture peuvent être nettoyés en rinçant le filtre sous l'eau courante. Pour un nettoyage plus approfondi, utilisez une brosse de nettoyage douce.



4. Remontez les filtres dans l'ordre inverse du démontage, replacez le groupe filtre et tournez-le dans le sens des aiguilles d'une montre jusqu'à la flèche correspondant à la position fermée.



### AVERTISSEMENT :

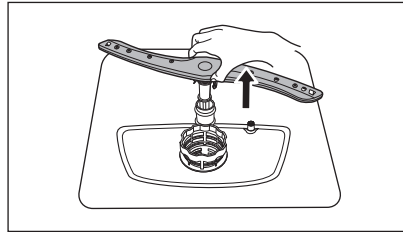
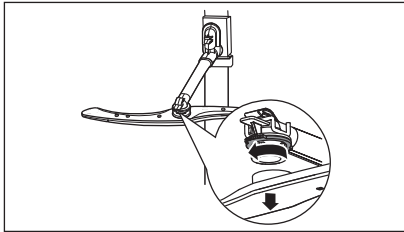
Ne serrez pas trop les filtres. Remontez les filtres correctement et dans l'ordre, sinon de gros résidus pourraient entrer dans le système et provoquer un blocage. N'utilisez jamais le lave-vaisselle sans avoir remis les filtres en place. Si les filtres ne sont pas remis en place correctement, cela risque de nuire aux performances de l'appareil et d'endommager la vaisselle et les ustensiles.

**BRAS DE LAVAGE**

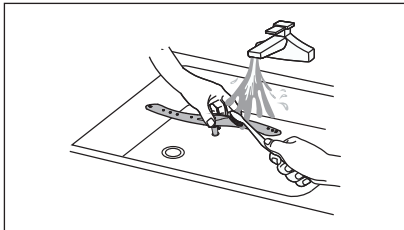
Vous devez nettoyer régulièrement les bras de lavage pour éviter que les substances chimiques contenues dans l'eau calcaire n'obstruent les jets et les roulements des bras de lavage.

Pour nettoyer les bras de lavage, suivez les instructions ci-dessous :

1. Pour retirer le bras de lavage supérieur, tenez l'écrou et tournez le bras dans le sens des aiguilles d'une montre pour l'enlever.
2. Pour sortir le bras de lavage inférieur, tirez-le vers le haut.



3. Lavez les bras de lavage à l'eau tiède savonneuse et utilisez une brosse douce pour nettoyer les jets. Remettez-les en place après les avoir bien rincés.

**ENTRETIEN GÉNÉRAL DU LAVE-VAISSELLE****Précautions contre le gel**

L'hiver, vous devez prendre des mesures de protection contre le gel pour votre lave-vaisselle. Après chaque cycle de lavage, veuillez suivre la procédure ci-après :

1. Coupez l'alimentation électrique du lave-vaisselle au niveau de la source.
2. Fermez l'arrivée d'eau et débranchez le tuyau d'arrivée d'eau du robinet d'eau.
3. Vidangez l'eau du tuyau d'arrivée et du robinet (utilisez un seau pour récupérer l'eau).
4. Rebranchez le tuyau d'arrivée d'eau sur le robinet.
5. Retirez le filtre au fond de la cuve et utilisez une éponge pour absorber l'eau dans la cuve de décantation.



**APRÈS CHAQUE LAVAGE**

Après chaque lavage, fermez l'arrivée d'eau de l'appareil et laissez la porte entrouverte pour éviter la formation d'humidité et d'odeurs à l'intérieur.

**DÉBRANCHEMENT DE LA PRISE**

Avant toute opération de nettoyage ou d'entretien, débranchez toujours la fiche de la prise.

**NETTOYAGE AVEC DES SOLVANTS OU DES SUBSTANCES ABRASIVES À PROSCRIRE**

Pour nettoyer l'extérieur et les pièces en caoutchouc du lave-vaisselle, n'utilisez pas de solvants ni de produits de nettoyage abrasifs. Utilisez uniquement un chiffon avec de l'eau tiède savonneuse.

Pour retirer des taches ou salissures de la surface intérieure, servez-vous d'un chiffon humidifié avec de l'eau et un peu de vinaigre, ou d'un produit de nettoyage conçu spécialement pour les lave-vaisselle.

**EN CAS D'INUTILISATION PROLONGÉE**

Nous vous recommandons d'effectuer un cycle de lavage à vide, puis de débrancher la fiche de la prise, d'arrêter l'arrivée d'eau et de laisser la porte de l'appareil entrouverte. Ceci contribuera à ce que les joints de porte durent plus longtemps et évitera la formation d'odeurs à l'intérieur de l'appareil.

**DÉPLACEMENT DE L'APPAREIL**

Si vous devez déplacer l'appareil, essayez de le conserver en position verticale. Si cela est indispensable, vous pouvez le coucher sur le dos.

**JOINTS**

L'un des facteurs contribuant à la formation d'odeurs dans le lave-vaisselle est la présence de restes de nourriture coincés dans les joints. Pour éviter cela, nettoyez-les régulièrement avec une éponge humide.

## Dépannage

### Avant d'appeler un technicien

La consultation des tableaux des pages suivantes peut vous éviter d'avoir à appeler un technicien.

Problèmes	Raison possible	Solution
Le lave-vaisselle ne démarre pas	• Un fusible a grillé ou le disjoncteur s'est déclenché.	Remplacez le fusible ou réactivez le disjoncteur. Retirez tous les autres appareils utilisant le même circuit que le lave-vaisselle.
	• L'appareil n'est pas sous tension.	Vérifiez que le lave-vaisselle est allumé et que sa porte est bien fermée. Assurez-vous que le cordon d'alimentation est correctement branché dans la prise murale.
	• La pression d'eau est faible.	Vérifiez que l'arrivée d'eau est correctement raccordée et que le robinet d'eau est ouvert.
	• La porte du lave-vaisselle n'est pas fermée correctement.	Veillez à bien fermer la porte en enclenchant le loquet.
L'eau du lave-vaisselle ne se vidange pas	• Le tuyau de vidange est tordu ou coincé.	Vérifiez le tuyau de vidange.
	• Le filtre est bouché.	Vérifiez le système de filtration.
	• L'évier de la cuisine est bouché.	Vérifiez si l'évier de la cuisine se vide correctement. Si c'est l'évier de la cuisine qui est bouché, vous aurez besoin d'un plombier plutôt que d'un réparateur de lave-vaisselle.
Présence de mousse dans la cuve	• Le détergent n'est pas adapté.	Utilisez uniquement un détergent spécifique pour lave-vaisselle pour éviter la formation de mousse. Si cela se produit, ouvrez le lave-vaisselle et laissez la mousse s'évaporer. Ajoutez 1 litre d'eau froide dans la cuve du lave-vaisselle. Fermez la porte du lave-vaisselle, puis sélectionnez n'importe quel cycle. Le lave-vaisselle commencera par évacuer l'eau. Ouvrez la porte une fois que la phase de vidange sera terminée et vérifiez si la mousse a disparu. Répétez l'opération si nécessaire.
	• Du produit de rinçage a été renversé.	Essayez toujours immédiatement tout produit de rinçage renversé.

Problèmes	Raison possible	Solution
L'intérieur de la cuve est taché	<ul style="list-style-type: none"> <li>Un détergent contenant du colorant a peut-être été utilisé.</li> </ul>	Assurez-vous que votre détergent ne contient pas de colorant.
Taches de rouille sur les couverts	<ul style="list-style-type: none"> <li>Les objets concernés ne résistent pas à la corrosion.</li> <li>Vous n'avez pas démarré de programme juste après l'ajout de sel régénérant. Du sel s'est retrouvé dans le cycle de lavage.</li> <li>Le couvercle de l'adoucisseur d'eau est mal fixé.</li> </ul>	<p>Évitez de passer au lave-vaisselle des objets qui ne résistent pas à la corrosion.</p> <p>Lancez toujours un programme de lavage à vide après avoir ajouté du sel. Ne sélectionnez pas la fonction Turbo (si elle existe sur votre modèle), après avoir ajouté du sel régénérant.</p> <p>Vérifiez que le couvercle de l'adoucisseur d'eau est bien fermé.</p>
Bruits de chocs provenant du lave-vaisselle	<ul style="list-style-type: none"> <li>Un bras de lavage tape contre un objet dans un panier.</li> </ul>	Arrêtez le programme et réorganisez les objets qui entravent le bras de lavage.
Bruits de cliquetis provenant du lave-vaisselle	<ul style="list-style-type: none"> <li>De la vaisselle bouge dans le lave-vaisselle.</li> </ul>	Interrompez le programme et réorganisez la vaisselle.
Bruits de chocs provenant des conduites d'eau	<ul style="list-style-type: none"> <li>Ceci peut être lié à l'installation sur place ou au diamètre des tuyaux.</li> </ul>	Ceci est sans influence sur les fonctionnalités du lave-vaisselle. En cas de doute, contactez un plombier qualifié.
La vaisselle n'est pas propre	<ul style="list-style-type: none"> <li>La vaisselle n'a pas été chargée correctement.</li> <li>Le programme n'était pas suffisamment puissant.</li> <li>Une quantité insuffisante de détergent a été libérée.</li> <li>Des objets bloquent les mouvements des bras de lavage.</li> <li>Le groupe filtre n'est pas propre ou n'a pas été inséré correctement au fond de la cuve. Ceci peut bloquer les jets des bras de lavage.</li> </ul>	<p>Voir la rubrique « Préparation et chargement de la vaisselle ».</p> <p>Sélectionnez un programme plus intensif.</p> <p>Utilisez plus de détergent, ou changez-en.</p> <p>Réorganisez les objets pour que les bras de lavage puissent tourner librement.</p> <p>Nettoyez et/ou insérez correctement le filtre. Nettoyez les jets des bras de lavage.</p>

Problèmes	Raison possible	Solution
Les verres sont troubles.	<ul style="list-style-type: none"> <li>Combinaison d'une eau douce et d'une trop grande quantité de détergent</li> </ul>	Utilisez moins de détergent si votre eau est douce et sélectionnez un cycle plus court pour laver les verres.
Des taches blanches apparaissent sur la vaisselle et les verres	<ul style="list-style-type: none"> <li>Dans les régions où l'eau est calcaire, des dépôts calcaires peuvent apparaître.</li> </ul>	Vérifiez les réglages de l'adoucisseur d'eau ou le remplissage du compartiment à sel.
Marques noires ou grises sur la vaisselle	<ul style="list-style-type: none"> <li>Des ustensiles en aluminium ont frotté contre la vaisselle.</li> </ul>	Utilisez un nettoyant légèrement abrasif pour éliminer ces traces.
Il reste du détergent dans le compartiment	<ul style="list-style-type: none"> <li>La vaisselle bloque le compartiment à détergent.</li> </ul>	Chargez la vaisselle correctement.
La vaisselle ne sèche pas	<ul style="list-style-type: none"> <li>Chargement incorrect</li> </ul>	<p>Portez des gants en cas de résidus de détergent sur la vaisselle, pour éviter des irritations cutanées.</p> <p>Ne videz pas votre lave-vaisselle immédiatement après le lavage. Entrouvrez la porte pour que la vapeur puisse sortir. Attendez que la température intérieure ait diminué et que la vaisselle ne soit pas trop chaude au toucher avant de la sortir. Commencez par décharger le panier inférieur pour éviter de faire couler de l'eau sur la vaisselle propre depuis le panier supérieur.</p>
	<ul style="list-style-type: none"> <li>La vaisselle a été sortie trop tôt</li> </ul>	<p>Avec un programme court, la température de lavage est plus basse, ce qui diminue les performances de lavage.</p> <p>Choisissez un programme avec une durée de lavage longue.</p>
	<ul style="list-style-type: none"> <li>Le mauvais programme a été sélectionné.</li> </ul>	<p>L'évacuation de l'eau est plus difficile avec ces objets. Les couverts ou la vaisselle de ce type ne doivent pas être passés au lave-vaisselle.</p>
	<ul style="list-style-type: none"> <li>Utilisation de couverts avec un revêtement de mauvaise qualité.</li> </ul>	

**AVERTISSEMENT :**

Réparer votre appareil vous-même ou le faire réparer par un non-professionnel peut provoquer des risques graves pour la sécurité de l'utilisateur et avoir un impact sur la garantie de l'appareil.

**DISPONIBILITÉ DES PIÈCES DÉTACHÉES**

- Sept ans après la mise sur le marché de la dernière unité du modèle :  
Moteur, pompe de circulation et de drainage, chauffe-eau et éléments chauffants, y compris pompes à chaleur (séparément ou regroupés), tuyauterie et équipements liés dont tous les tuyaux, vannes, filtres et aqua stops, pièces structurelles et intérieures liées aux assemblages de porte (séparément ou regroupés), cartes de circuits imprimés, affichages électroniques, pressostat, thermostats et capteurs, logiciel et matériel y compris logiciel de réinitialisation.
- Dix ans après la mise sur le marché de la dernière unité du modèle :  
Charnière et joints de porte, autres joints, bras de lavage, filtres d'évacuation, paniers intérieurs et accessoires comme les porte-couverts et couvercles.

**Codes d'erreur**

En cas de dysfonctionnement, le lave-vaisselle affichera un code d'erreur. Le tableau suivant montre les codes d'erreur possibles et leur cause.

Problèmes	Raison possible	Solution
Le témoin « Rapide » clignote rapidement.	• Temps de remplissage plus long	Les robinets ne sont pas ouverts, l'arrivée d'eau est obstruée ou la pression d'eau est trop faible.
Les témoins « Rapide » et « 90 min » clignotent rapidement.	• La température requise n'est pas atteinte.	Dysfonctionnement d'un élément chauffant.
Le témoin « ÉCO » clignote rapidement.	• Débordement	Un élément du lave-vaisselle fuit.
La lumière intensive, ÉCO et rapide	• Problème de communication entre le circuit imprimé principal et le circuit imprimé d'affichage.	Circuit ouvert ou rupture du câblage de communication.

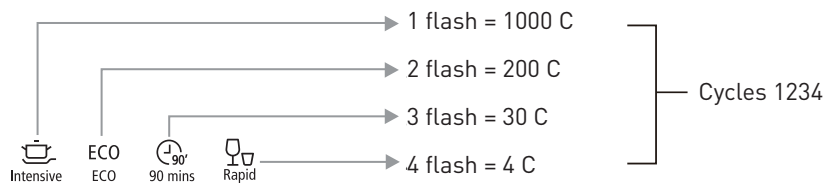
**AVERTISSEMENT :**

En cas de débordement, coupez l'arrivée d'eau principale avant d'appeler un technicien. Si de l'eau se trouve au fond de la cuve en raison d'un trop-plein ou d'une petite fuite, cette eau doit être évacuée avant de redémarrer le lave-vaisselle. Si un code d'erreur n'ayant pas de solution s'affiche, veuillez demander l'aide d'un professionnel.

## Compteur d'utilisation

Comme ce modèle n'a pas d'écran d'affichage, le nombre de cycles est indiqué par 4 LED, dont voici la description détaillée :

1. Quand le cordon d'alimentation est branché, mais le lave-vaisselle n'est pas allumé et la porte est fermée, appuyez sur le bouton Départ différé pendant 5 secondes pour afficher le nombre d'utilisations sur l'écran du lave-vaisselle.
2. Le comptage se fera de l'unité à la séquence de milliers comme ci-dessous : Concernant le nombre de cycles, le clignotement du témoin Rapide indique le chiffre des unités, le clignotement du témoin 90 min correspond au chiffre des dizaines, le clignotement du témoin ÉCO représente le chiffre des centaines et le clignotement du témoin Intensif correspond au chiffre des milliers.
3. Par exemple, les cycles 1234 seront indiqués comme dans l'illustration ci-dessous.



# Dank u!

Bedankt om dit VALBERG-product te kiezen.  
De producten van het merk VALBERG, die gekozen,  
getest en aanbevolen worden door ELECTRO DEPOT,  
zijn eenvoudig te gebruiken, betrouwbaar en van  
onberispelijke kwaliteit.  
Dankzij dit toestel kunt u er zeker van zijn dat u bij  
elk gebruik volledig tevreden bent.

Welkom bij ELECTRO DEPOT.

Bezoek onze website: [www.electrodepot.fr](http://www.electrodepot.fr)



78

NL

## Inhoudstafel

### **A** **Overzicht van het toestel**

Overzicht van het product

---

### **B** **Het toestel gebruiken**

Snelstartgids  
Productinstallatie  
Gebruiksaanwijzing

---

### **C** **Nuttige informatie**

Reiniging en onderhoud  
Probleemoplossing  
Teller afwasbeurten



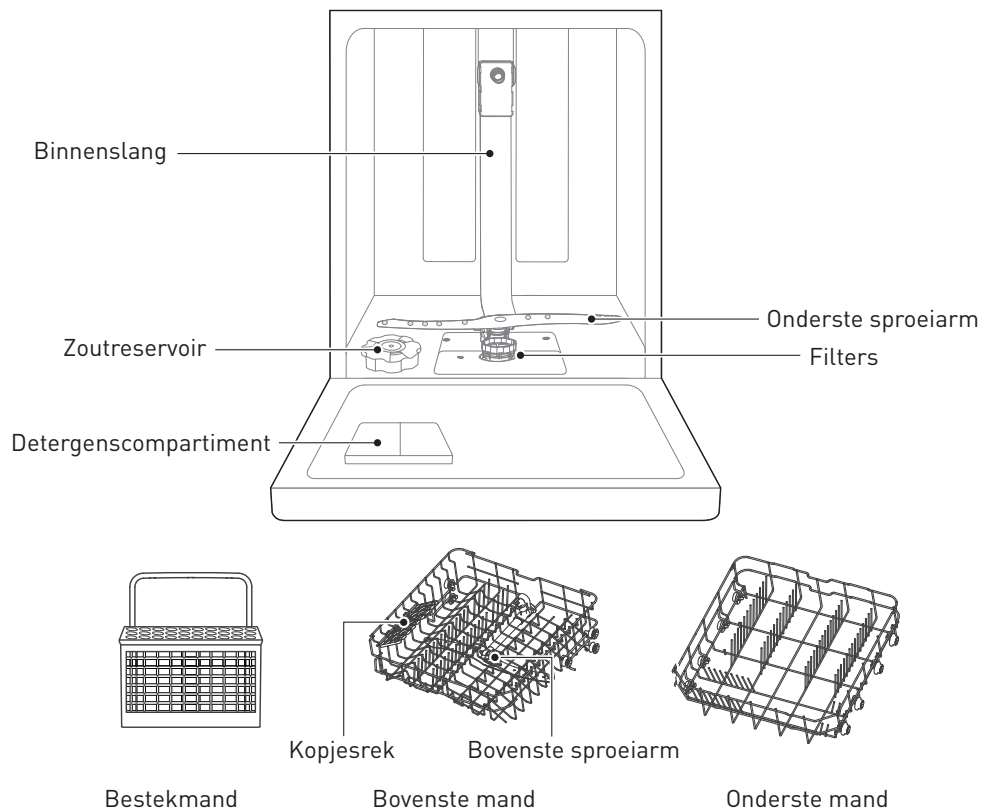
A

## Overzicht van het toestel

### Overzicht van het product

#### **BELANGRIJK:**

Lees de gebruiksaanwijzing voor u de vaatwasser voor het eerst gebruikt voor optimale prestaties.

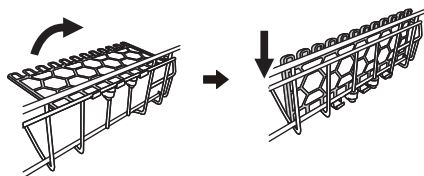


A

## Overzicht van het toestel

**OPMERKING:**

Om in de bovenste mand plaats te maken voor grotere voorwerpen, klapt u het kopjesrekje naar boven. U kunt nu grotere glazen tegen het rekje plaatsen. U kunt het rekje ook verwijderen wanneer u het niet gebruikt.

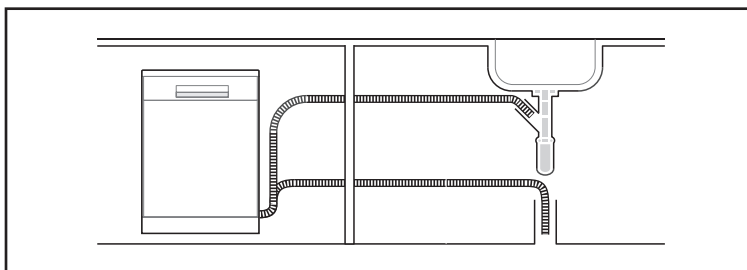


## Snelstartgids

**WAARSCHUWING:**

Lees de overeenkomstige inhoud van de handleiding voor gedetailleerde werkmethode.

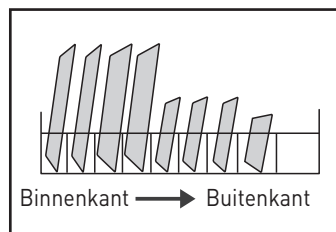
1. De vaatwasser installeren



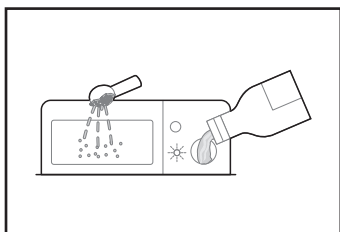
2. Verwijder grove restjes van de vaat. Spoel de vaat niet af voor u hem in de vaatwasser plaatst.



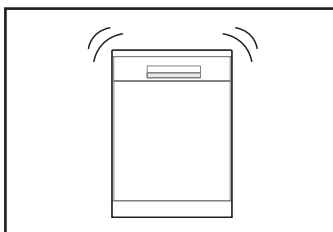
3. Vul de manden.



4. Doe vaatwasproduct in het vaatwasmiddelbakje en voeg spoelmiddel toe.



5. Selecteer een geschikt programma en start de vaatwasser.



**Productinstallatie****WAARSCHUWING:**

Risico op elektrische schok

Schakel de stroom uit voor u de vaatwasser installeert.

Anders loopt u risico op overlijden of een elektrische schok.

**OPGELET:**

Leidingen en elektrische uitrusting dienen door vakmensen geplaatst te worden.

**OVER DE ELEKTRISCHE AANSLUITING****WAARSCHUWING:**

Voor uw persoonlijke veiligheid:

Gebruik geen verlengsnoer of adapter voor dit toestel. Knip nooit de aarding van het netsnoer door en verwijder het niet.

**Elektrische vereisten**

Informatie over de spanning vindt u op het typeplaatje zodat u de vaatwasser op de juiste spanning kan aansluiten. Gebruik de vereiste zekering 10A/13A/16A, een vertragende zekering of een stroomonderbreker en zorg voor een apart circuit dat alleen dit apparaat bedient.

**Elektrische aansluiting**

Zorg ervoor dat de spanning en frequentie van de voeding overeenkomt met die op het typeplaatje. Sluit de stekker enkel aan op een stopcontact dat behoorlijk geaard is.

Vervang het stopcontact indien het niet geschikt is voor de stekker van het toestel. Gebruik geen adapters aangezien die kunnen leiden tot oververhitting en brandwonden.

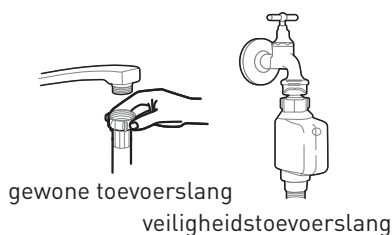
**WAARSCHUWING:**

Zorg ervoor dat het toestel goed geard is voor u het gebruikt.

**WATERTOEOVOER EN -AFVOER****Aansluiting koud water**

Sluit de toevoerslang voor koud water aan op een connector met schroefdraad (3/4 inch [19,05 mm]) en zorg ervoor dat ze goed vast zit.

Laat het water even lopen om te kijken of het zuiver is bij nieuwe waterleidingen of wanneer de leidingen een tijdje niet gebruikt zijn. Dit is een noodzakelijke voorzorgsmaatregel om te vermijden dat de watertoevoer geblokkeerd geraakt en het toestel beschadigd wordt.

**Over de veiligheidstoevoerslang**

De veiligheidstoevoerslang heeft dubbele wanden. Het systeem blokkeert het water wanneer de toevoerslang breekt en wanneer de met lucht gevulde ruimte tussen de toevoerslang zelf en de buitenste geribbelde slang vol water zit.

**WAARSCHUWING:**

Een slang die aan een kraan vastgemaakt is kan barsten wanneer ze op dezelfde leiding aangesloten is als de vaatwasser. Indien uw gootsteen een slang heeft, is het aanbevolen om ze los te maken en het gat dicht te maken.

**Hoe de veiligheidstoevoerslang aansluiten**

1. Trek de veiligheidstoevoerslangen uit de opslagruimte achteraan de vaatwasser.
2. Schroef de schroeven van de veiligheidstoevoerslang aan de kraan vast met een draad van 3/4 inch [19,05 mm].
3. Draai de kraan volledig open voor u de vaatwasser start.

**Hoe de veiligheidstoevoerslang verwijderen**

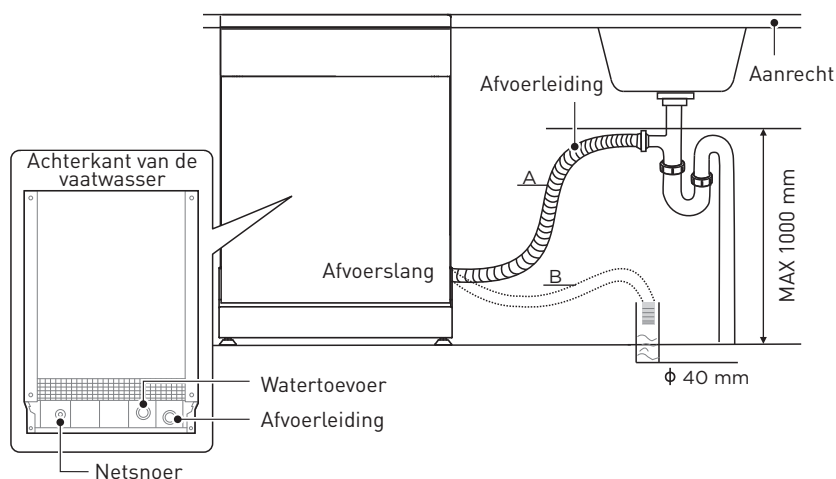
1. Draai de waterkraan dicht.
2. Schroef de veiligheidstoevoerslang van de kraan los.

**AANSLUITING VAN DE AFVOERSLANGEN**

Steek de afvoerslang in een afvoerbus met een diameter van minstens 4 cm of laat deze in de gootsteen lopen en zorg ervoor dat deze niet geplooid of geklemd wordt. De hoogte van de afvoerslang mag niet hoger zijn dan 1.000 mm. Het vrije uiteinde van de slang mag niet in water ondergedompeld worden om het terugstromen van het water te voorkomen.

**WAARSCHUWING:**

Maak de afvoerslang goed vast in positie A of B.

**Hoe overtollig water uit de slang verwijderen**

Wanneer de aansluiting op de afvoerleiding hoger geplaatst is dan 1000 mm kan er overtollig water achterblijven in de afvoerslang. Overtollig water moet dan uit de slang verwijderd worden in een kom of geschikte bak die buiten en lager dan de wasbak geplaatst is.

**Waterafvoer**

Sluit de waterafvoerslang aan. De afvoerslang moet goed aansluiten om lekken te vermijden. Zorg ervoor dat de afvoerslang niet gebogen of platgedrukt is.

**Verlengslang**

Zorg ervoor dat u een gelijkaardige afvoerslang gebruikt, indien u een verlengslang nodig heeft.

Ze mag niet langer zijn dan 4 meter, anders zouden de wasprestaties van de vaatwasser kunnen verminderen.

**Aansluiting met sifon**

De aansluiting van de afvoer moet lager zijn dan 1000 mm (maximum) vanaf de onderkant van de vaatwasser.

**PLAATSING VAN HET TOESTEL**

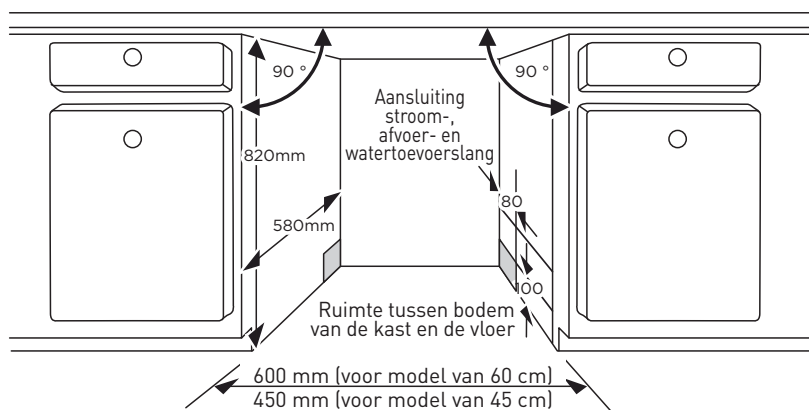
Plaats het toestel op de gewenste plaats. De achterkant moet tegen de muur erachter rusten en de zijkanten tegen de kastjes ernaast of de muur. De vaatwasser is uitgerust met een watertoevoer- en afvoerslang die rechts of links geplaatst kan worden om de installatie te vereenvoudigen.

**INGEBOUWDE INSTALLATIE (VOOR HET INBOUWMODEL)****Stap 1. De beste locatie voor de vaatwasser kiezen**

De vaatwasser dient dicht bij een bestaande watertoevoer, waterafvoer en een stopcontact geplaatst te worden.

Afbeeldingen van de afmetingen van de kast en van de plaatsing van de vaatwasser.

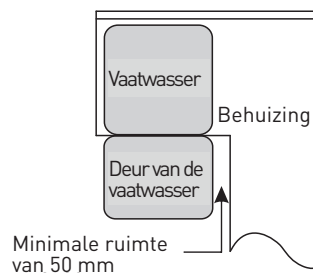
1. Minder dan 5 mm tussen de bovenkant van de vaatwasser en de kast en de buitendeur die is afgelijnd met de kast.



## B

## Gebruik van het toestel

2. Wanneer de vaatwasser in de hoek van de kast geïnstalleerd wordt, moet er enige ruimte zijn wanneer de deur wordt geopend.



### WAARSCHUWING:

Afhankelijk van waar uw stopcontact zich bevindt, is het mogelijk dat u een gat moet zagen in de tegenovergestelde kant van de kast.

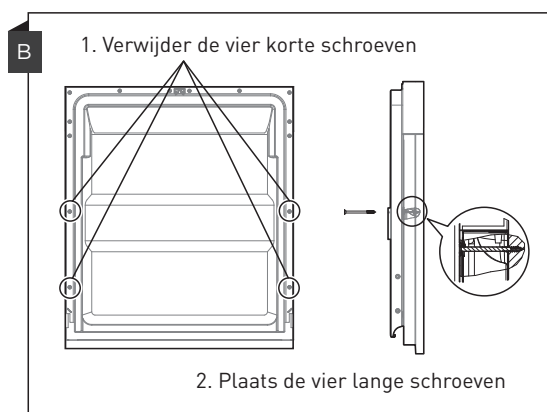
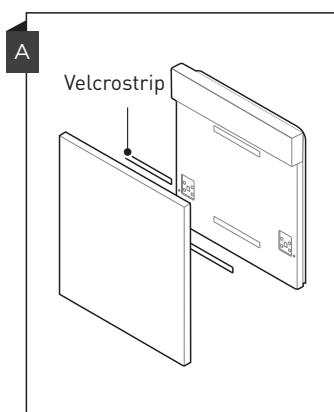
### Stap 2. Afmetingen en installatie van het sierpaneel

### WAARSCHUWING:

Volg de specifieke installatie-instructie om het sierpaneel te bevestigen.

### Half-ingebouwd model

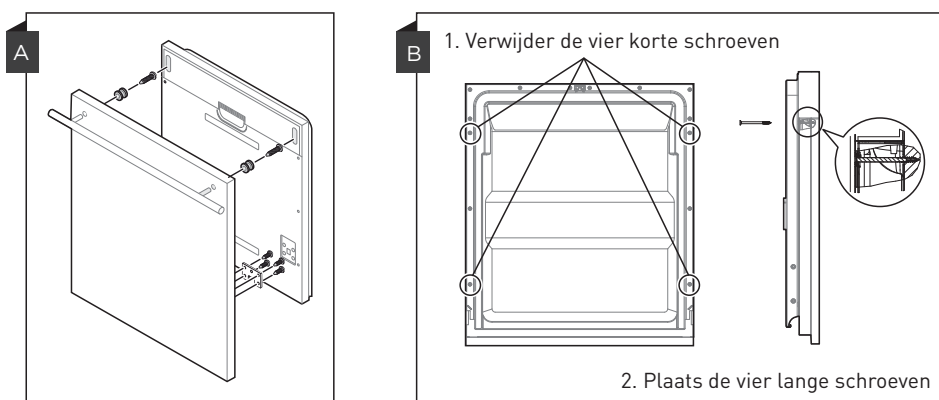
Maak velcrostrip A en B los en bevestig velcrostrip A op de binnenkant van het sierpaneel. Bevestig de vilten velcrostrip B op de buitendeur van de vaatwasser (zie afbeelding A). Bevestig na het positioneren van het paneel, het paneel op de buitendeur met behulp van de schroeven en bouten (zie afbeelding B).



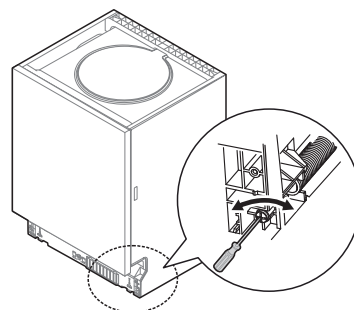


**Volledig ingebouwd model**

Installeer de haak op het sierpaneel en plaats de haak in de uitsparing van de buitendeur van de vaatwasser (zie afbeelding A). Bevestig na het positioneren van het paneel, het paneel op de buitendeur met behulp van de schroeven en bouten (zie afbeelding B).

**Stap 3. Aanpassing van de spanning van de deurveer**

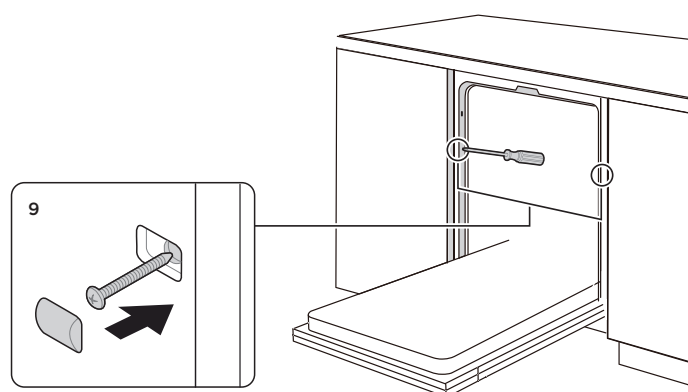
1. De deurveren zijn in de fabriek ingesteld op de juiste spanning voor de buitendeur. Indien het sierpaneel wordt geïnstalleerd zult u de spanning van de deurveer moeten aanpassen. Draai de aanpassingsschroef om de kabel van de veer losser of strakker te maken.
2. De spanning van de deurveer is juist wanneer de deur in volledig geopende positie horizontaal blijft en daarna met een lichte duw van de vinger naar boven gaat om te sluiten.



**Stap 4. Stappen om de vaatwasser te installeren****WAARSCHUWING:**

Zie de specifieke installatiestappen in de installatietekeningen.

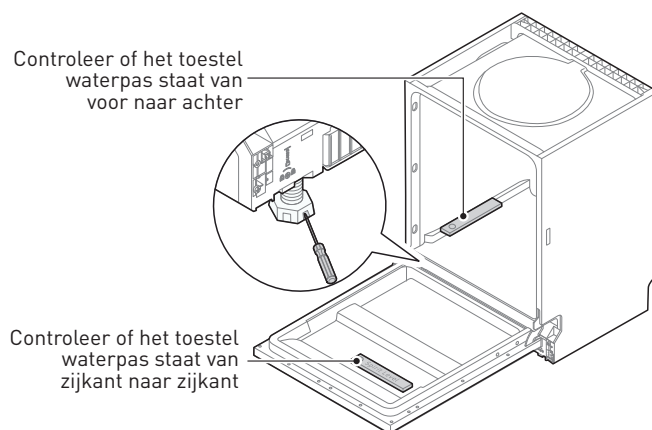
1. Bevestig de condensatiestrook onder het werkvlak van de kast. Zorg ervoor dat de condensatiestrook gelijk loopt met de rand van het werkvlak. (Stap 2)
2. Sluit de aanvoerslang aan op de koudwatertoevoer.
3. Sluit de afvoerslang aan.
4. Sluit de stroomkabel aan.
5. Plaats de vaatwasser in de kast.
6. Zet de vaatwasser waterpas. De achterste voet kan vanaf de voorkant van de vaatwasser worden aangepast door met een kruiskopschroevendraaier aan de kruisschroef in het midden van de onderkant van de vaatwasser te draaien. Om de voorste voet aan te passen, gebruik een platte schroevendraaier en draai aan de voorste voet tot de vaatwasser waterpas staat. (Stap 5 tot Stap 6)
7. Installeer de deur van het meubel op de buitendeur van de vaatwasser. (Stap 7 tot Stap 10)
8. Pas de spanning van de deurveren aan door een kruiskopschroevendraaier in wijzerzin te draaien om de linker en rechter deurveren aan te spannen. Zo niet kunt u uw vaatwasser beschadigen. (Stap 11)
9. De vaatwasser moet stevig op zijn plaats staan. Maak de zijkant vast met schroeven.



**Stap 5. De vaatwasser waterpas zetten**

De vaatwasser moet waterpas staan om de vaat goed te kunnen schikken en voor goede wasprestaties.

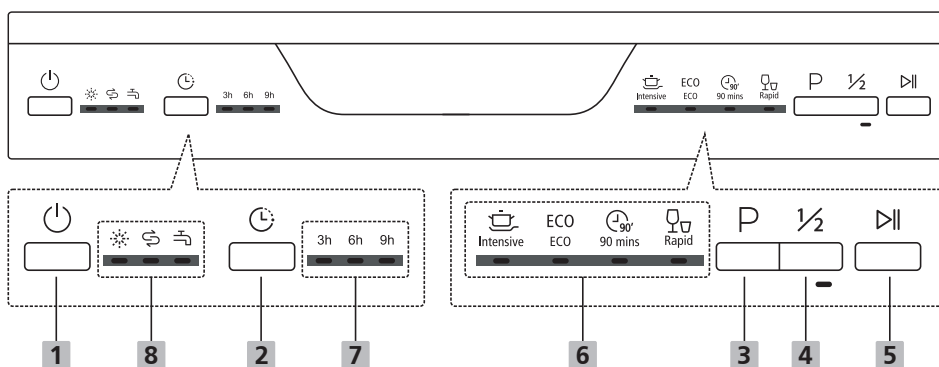
1. Plaats zoals weergegeven een waterpas op de deur en het rek binnenin om te controleren of de vaatwasser waterpas staat.
2. Zet de vaatwasser waterpas door de drie verstelvoetjes individueel aan te passen.
3. Let op dat u de vaatwasser niet doet omkantelen wanneer u de vaatwasser waterpas zet.



# B

## Gebruik van het toestel

### Gebruiksaanwijzing







#### Omschrijving

<b>1</b>		Aan/Uit-knop	<ul style="list-style-type: none"> <li>Druk op deze knop om uw vaatwasser aan te zetten.</li> </ul>
<b>2</b>		Uitgesteld starten	<ul style="list-style-type: none"> <li>Druk op de knop om de uitgestelde start in te stellen. Het lampje licht op.</li> </ul>
<b>3</b>		Programma	<ul style="list-style-type: none"> <li>Selecteer het juiste afwasprogramma. De programma-indicator licht op.</li> </ul>
<b>4</b>		Halve lading	<ul style="list-style-type: none"> <li>Indien u ongeveer een halve lading vaat of minder hebt, kunt u deze functie kiezen om energie en water te besparen. (Kan enkel gebruikt worden bij Intensief, ECO, en 90 min.)</li> </ul>
<b>5</b>		Start / Pauze	<ul style="list-style-type: none"> <li>Druk op de knop om het geselecteerde wasprogramma te starten of het werkende programma in pauze te zetten.</li> </ul>
<b>6</b> Programma lampjes		Intensieve	<ul style="list-style-type: none"> <li>Erg vuile spullen zoals potten en pannen. Met opgedroogde voedselresten.</li> </ul>
		ECO	<ul style="list-style-type: none"> <li>Dit is het standaard programma. Het is geschikt voor normaal bevuild servies. Het is het meest efficiënte programma op het gebied van energie- en waterverbruik voor dat soort servies.</li> </ul>
		90 min	<ul style="list-style-type: none"> <li>Voor normaal bevuilde ladingen die snel afgewassen moeten worden.</li> </ul>
		Snel	<ul style="list-style-type: none"> <li>Een korter afwasprogramma voor lichtjes vuile ladingen die niet gedroogd moeten worden.</li> </ul>

## B




## Gebruik van het toestel

Omschrijving		
<b>7</b>	 Uitgestelde start	<ul style="list-style-type: none"><li>• Om de uitgestelde tijd (3u/6u/9u) weer te geven</li></ul>
<b>8</b> Waarschuwings- lampjes	 Spoelmiddel	<ul style="list-style-type: none"><li>• Wanneer het "☀️" lampje brandt, betekent dit dat het spoelmiddel van de vaatwasser bijna op is en bijgevuld moet worden.</li></ul>
	 Zout	<ul style="list-style-type: none"><li>• Wanneer het "💵" lampje brandt, betekent dit dat het zout van de vaatwasser bijna op is en bijgevuld moet worden.</li></ul>
	 Watertoevoer defect	<ul style="list-style-type: none"><li>• Wanneer het lampje "🚰" brandt, betekent dit dat er geen water in de vaatwasser loopt.</li></ul>

**PROGRAMMA'S**

De tabel hieronder geeft aan welke programma's het beste zijn voor het niveau van bevulling en hoeveel vaatwasproduct nodig is. Ze geeft ook allerlei informatie over de programma's. De verbruikswaarden en duur van de programma's zijn louter ter informatie behalve voor het ECO-programma.

(●) geeft aan dat het programma in de laatste spoeling spoelmiddel gebruikt.

Programma	Omschrijving Cyclus	Wasmiddel Voor-/Hoofdwass	Loop- tijd (min)	Energie (Kwh)	Water (L)	Spoelen middel
 Intensive	Voorwas Wassen (60°C) Spoelen Spoelen (65-72°C) Drogen	$\frac{4/16g}{1 \text{ of } 2 \text{ tabletten}}$	175	1,275- 1,385	13,9	●
<b>ECO</b> (*EN60436)	Wassen (50°C) Spoelen Spoelen (45°C) Drogen	$\frac{20 \text{ g}}{1 \text{ tablet}}$	210	0,824	11,0	●
 90 min	Wassen (55°C) Spoelen Spoelen (60-65°C) Drogen	$\frac{20 \text{ g}}{1 \text{ tablet}}$	90	0,955- 1,030	11,2	●
 Snel	Wassen (45°C) Spoelen Spoelen (45°C)	$\frac{12 \text{ g}}{1 \text{ tablet}}$	30	0,584	10,3	○

**OPMERKING:**

ECO (\*EN60436): Het ECO-programma is geschikt om normaal bevuld servies te reinigen. Voor dit gebruik is dit het meest efficiënte programma op het gebied van energie- en waterverbruik. Het wordt gebruikt om naleving van de Europese wetgeving op het gebied van ecologisch ontwerp te beoordelen.

**DE VAAT VOORBEREIDEN EN INLADEN**

Het kan aangewezen zijn om keukengerei te kopen dat vaatwasserbestendig is.

Selecteer voor sommige zaken de laagst mogelijke temperatuur.

Neem glazen en bestek niet onmiddellijk nadat het programma beëindigd is uit de vaatwasser om schade te voorkomen.

**Om bestek/vaat te wassen****Niet geschikt voor de vaatwasser**

Bestek met houten, hoornen, porseleinen of paarlemoeren handvatten

Plastic voorwerpen die niet hittebestendig zijn

Ouder bestek met gelijmde delen die niet temperatuurvast zijn

Gebonden bestek of servies

Voorwerpen in tin of koper

Kristalglas

Stalen voorwerpen die kunnen roesten

Houten borden

Voorwerpen uit synthetische vezels

**Zijn beperkt geschikt**

Sommige soorten glazen kunnen dof worden na een groot aantal afwasbeurten

Onderdelen in zilver en aluminium ontkleuren vaak tijdens het wassen

Geglazuurde patronen kunnen vervagen wanneer ze vaak gewassen worden

**Aanbevelingen voor het inladen van de vaatwasser**

Verwijder grote voedingsresten. Maak restjes aangebrand eten in pannen zacht.

Het is niet nodig om de vaat onder stromend water te spoelen.

Volg deze richtlijnen voor de beste prestaties van de vaatwasser.

**(De functies en het uitzicht van de manden en bestekmand kunnen van model tot model verschillen)**

Plaats voorwerpen op de volgende manier in de vaatwasser:

voorwerpen zoals kopjes, glazen, potten en pannen moeten omgedraaid worden.

Gebogen voorwerpen of voorwerpen met vakjes moeten schuin geplaatst worden zodat het water er kan aflopen.

Alle keukengerei moet veilig opgestapeld worden zodat het niet kan omvallen.

Alle keukengerei moet zo geplaatst worden dat de armen zonder problemen kunnen ronddraaien.

Plaats holle voorwerpen zoals kopjes, glazen en pannen. Met de opening naar beneden zodat er geen water in kan komen te staan.

## B

## Gebruik van het toestel

Plaats geen vaat en bestek in of op elkaar.

Om schade te voorkomen mogen glazen niet met elkaar in contact komen.

De bovenste mand is gemaakt om meer delicate en lichtere vaat te bevatten zoals glazen en koffie- en theekopjes.

Het kan gevaarlijk zijn om messen met lang snijvlak naar boven te richten.

Lange en scherpe voorwerpen zoals snijmessen moeten horizontaal in de bovenste mand geplaatst worden.

Plaats niet te veel in de vaatwasser. Dit is belangrijk voor goede resultaten en voor een redelijk energieverbruik.

### **OPMERKING:**

Heel kleine voorwerpen kunnen niet in de vaatwasser gewassen worden aangezien ze gemakkelijk uit de mand kunnen vallen.

### **De vaat verwijderen**

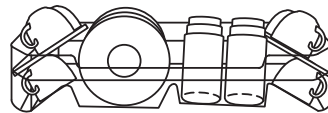
Om te vermijden dat er water uit de bovenste mand in de onderste mand druppelt, raden we aan dat u eerst de onderste mand leeg maakt gevolgd door de bovenste mand.

### **WAARSCHUWING:**

Het keukengerei wordt heel warm! Wacht ongeveer 15 minuten voor u uw glazen en bestek uit de vaatwasser neemt nadat het programma beëindigd is om schade te voorkomen.

### **De bovenste mand inladen**

De bovenste mand is speciaal ontworpen om delicateser en lichter servies in te plaatsen, zoals glazen, koffie- en theekoppen en schotels, alsook borden, kleine kommen en ondiepe pannen (zolang ze niet te vuil zijn). Plaats de borden en het kookgerei zodanig dat het niet verplaatst wordt door de waterstraal.

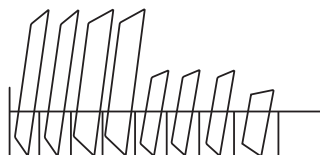




**De onderste mand inladen**

We raden aan dat u grote en moeilijk te reinigen voorwerpen in de onderste mand plaatst: potten, pannen, deksels, serveerschotels en -kommen, zoals weergegeven in onderstaande afbeelding. Het is aanbevolen om serveerschotels en deksels aan de zijkant van de manden te plaatsen om te voorkomen dat ze het draaien van de bovenste sproeiarm blokkeren.

De maximum diameter van borden die voor het vaatwasmiddelbakje geplaatst worden is 19 cm, zodat het bakje vlot open kan openen.

**De bestekmand inladen**

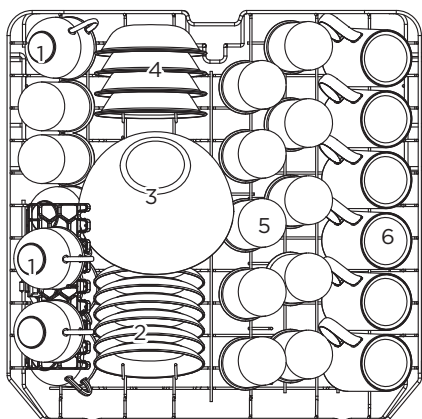
Bestek moet goed gescheiden in de juiste posities in de bestekmand worden geplaatst. Vermijd bestek op elkaar te plaatsen om onvoldoende wasresultaten te voorkomen.

**WAARSCHUWING:**

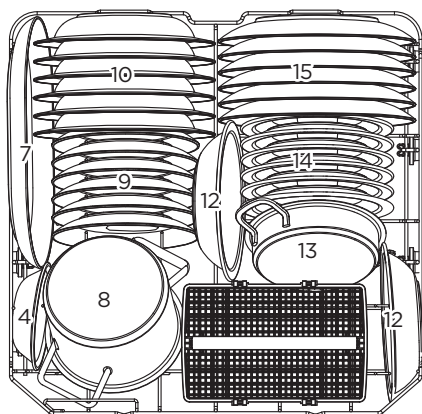
Zorg ervoor dat er onderaan geen voorwerpen uitsteken.  
Plaats scherpe voorwerpen altijd met de scherpe punt naar beneden!

**DE MANDEN VULLEN VOLGENS EN60436:**

De vaatwasser volledig vullen bespaart water en energie.

**1. Bovenste mand:**

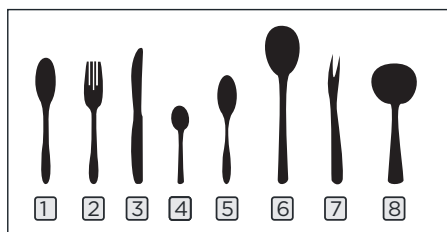
Aantal		Categorie
1	D = 7,8 cm H = 4,5 cm	Kopjes
2	D = 14 cm	Schoteltjes
3	D = 18,6 cm H = 9,5 cm	Glazen kommen
4	D = 13 cm	Dessertkommen
5	D = 6 cm H = 12 cm	Glazen
6	D = 7 cm H = 10 cm	Mokken

**2. Onderste mand:**

Aantal		Categorie
7	D = 32 cm	Ovale schotel
8	D = 16 cm H = 10,5 cm	Kleine pot
9	D = 19 cm	Dessertborden
10	D = 23 cm	Soepborden
11		Bestekmand
12	D = 21,3 cm	Kommen in melanine
13	D = 16 cm H = 4,1 cm	Ovenschaal
14	D = 19,5 cm	Dessertborden in melanine
15	D = 25 cm	Grote borden

## 3. Bestekmand:

	1	2	1		4	4	4	4	4	4	4	1	2	1
	2	2	2			8			7			3	3	
	1	2	1		4	4	4	4	4	4		1	3	1
IN ↑														
	1	2	1		5	5	5	5	5	5		3	3	3
	2	2	2			3			3			3	3	3
	1	2	1		5	5	5	5	5	5		6		6



Informatie over compatibiliteitstesten in  
overeenstemming met EN60436  
Vermogen: 12 couverts  
Positie van de bovenste mand: lagere stand  
Programma: ECO  
Instelling spoelen: Max.  
Afstelling van de waterontharder: H3

Aantal	Categorie
1	Soeplepels
2	Vorken
3	Messen
4	Theelepels
5	Dessertlepels
6	Opscheplepels
7	Opschepvork
8	Sauslepel

**ZOUT IN DE WATERVERZACHTER TOEVOEGEN****OPMERKING:**

Indien uw model geen waterverzachter heeft, kan u deze rubriek overslaan. Gebruik altijd zout dat voor vaatwassers bestemd is.

De hardheid van het water verschilt van streek tot streek. Wanneer hard water gebruikt wordt in de vaatwasser, komt er aanslag op de vaat en het keukengerei. De vaatwasser is uitgerust met een speciale waterverzachter die zout gebruikt dat speciaal bedoeld is om kalk en mineralen uit het water te verwijderen. Het zoutreservoir bevindt zich onder de onderste mand en moet als volgt gevuld worden:

**WAARSCHUWING:**

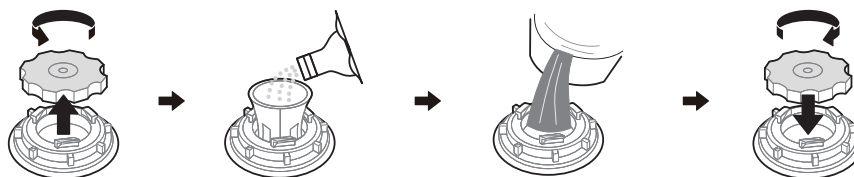
Gebruik enkel zout dat specifiek voor vaatwassers bestemd is.

Andere soorten zout die niet speciaal bestemd zijn voor gebruik in vaatwassers, en vooral tafelzout, beschadigen de waterverzachter. Bij schade veroorzaakt door het gebruik van ongeschikt zout is de garantie van de fabrikant niet geldig en is de fabrikant niet aansprakelijk voor de veroorzaakte schade.

Vul enkel met zout voor u een cyclus uitvoert.

Op die manier vermijdt u dat korrels zout of zout water dat gemorst is voor langere tijd op de bodem van de machine aanwezig blijven. Dit kan corrosie veroorzaken.

Gelieve de onderstaande stappen te volgen om vaatwasserzout toe te voegen:



1. Haal de onderste mand eruit en draai het afdekplaatje van het reservoir los.
2. Plaats het uiteinde van de trechter (indien meegeleverd) in het gat en giet er ongeveer 1,5 kg vaatwasserzout in.
3. Vul het zoutcompartiment met water tot aan de maximaanduiding. Het is normaal dat er een kleine hoeveelheid water uit het compartiment loopt.
4. Nadat u het compartiment gevuld hebt, draait u de dop goed vast.
5. De indicator voor het zout zal doven van zodra het compartiment gevuld is met zout.
6. Start onmiddellijk een programma nadat u het zoutreservoir bijgevuld heeft (wij raden een kort programma aan). Het filtersysteem, de pomp of andere belangrijke delen van de machine kunnen anders beschadigd worden door het zoute water. Dit valt niet onder de garantie.

#### OPMERKING:

Het zoutreservoir moet enkel bijgevuld worden wanneer het waarschuwingslichtje op het bedieningspaneel aangaat. Het kan zijn dat het waarschuwingslichtje aanblijft wanneer het zout bijgevuld werd. Dit is afhankelijk van de mate waarin het zout oplost. Indien er geen waarschuwingslichtje voor zout is in het bedieningspaneel (bij sommige modellen), kan u inschatten wanneer u het zout moet bijvullen op basis van het aantal cycli dat de vaatwasser gedraaid heeft. Voer een snel programma of een programma om te weken uit wanneer er zout gemorst is.

#### WATERVERZACHTER

De waterverzachter moet manueel ingesteld worden met de waterhardheidsknop.

De waterverzachter verwijdert mineralen en zout van het water aangezien ze de werking van het toestel op een negatieve manier beïnvloeden.

Hoe meer mineralen, hoe harder het water is.

De waterverzachter moet ingesteld worden in functie van de hardheid van het water in uw streek.

Uw plaatselijke watervoorziening kan u inlichten over de hardheid van het water in uw streek.

### Het zoutverbruik aanpassen

De hoeveelheid zout die de vaatwasser verbruikt kan aangepast worden in functie van de hardheid van het gebruikte water. Hierdoor wordt de verbruikte hoeveelheid zout geoptimaliseerd en correct ingesteld.

Volg de stappen hieronder om het zoutverbruik aan te passen.

1. Sluit de deur en zet het toestel aan.
2. Druk binnen de 60 seconden nadat u het toestel hebt aangezet langer dan 5 seconden op de programmaknop om de waterverzachter in te stellen.
3. Druk opnieuw op de programmaknop om de juiste instelling te selecteren in functie van de hardheid van het water in uw streek. De instelling volgt deze sequentie: H3->H4->H5->H6->H1->H2->H3;
4. Doe 5 seconden lang niets of druk op de Aan/Uit-knop om de instelling te voltooien en de instelmodus te verlaten.

HARDHEID VAN HET WATER				Niveau van de waterverzachter	Regeneratie vindt elke X programma-sequenties plaats <sup>1)</sup>	Zout verbruik (gram/cyclus)
Duits °dH	Frans °fH	Brits °Clarke	Mmol/l			
0 - 5	0 - 9	0 - 6	0 - 0,94	H1: Snel helder licht	Geen regeneratie	0
6 - 11	10 - 20	7 - 14	1,0 - 2,0	H2: 90 min helder licht	10	9
12 - 17	21 - 30	15 - 21	2,1 - 3,0	H3: Snel, 90 min. fel licht	5	12
18 - 22	31 - 40	22 - 28	3,1 - 4,0	H4: ECO Fel licht	3	20
23 - 34	41 - 60	29 - 42	4,1 - 6,0	H5: ECO, snel fel licht	2	30
35 - 55	61 - 98	43 - 69	6,1 - 9,8	H6: 90 min., ECO fel licht	1	60

1°dH=1.25 °Clarke=1.78 ] °fH=0.178mmol/l

### De fabrieksinstelling: H3

<sup>1)</sup>Elke cyclus met regeneratie verbruikt 2,0 liter water extra, het energieverbruik neemt toe met 0,02 kWh en het programma duurt 4 minuten langer.

**FUNCTIE VAN HET SPOEL- EN VAATWASMIDDEL**

Het spoelmiddel wordt in de laatste spoeling toegevoegd om te vermijden dat er waterdruppels op uw vaat terechtkomt, wat tot vlekken en strepen kan leiden. De vaat droogt ook beter op omdat het water van de vaat afloopt. Uw vaatwasser is ontworpen om met vloeibaar spoelmiddel gebruikt te worden.

**WAARSCHUWING:**

Gebruik enkel merkproducten voor het spoelmiddel voor de vaatwasser. Vul het spoelmiddelcompartiment nooit met andere stoffen (bijv. reinigingsmiddel voor vaatwassers, vloeibaar detergent). Deze kunnen het toestel beschadigen.

**Wanneer moet het spoelmiddel worden bijgevuld?**

Tenzij het waarschuwingslichtje (☼) op het bedieningspaneel aan is, kan u de hoeveelheid inschatten op basis van de kleur van het indicator naast het afdekplaatje. Wanneer het reservoir van het spoelmiddel vol is, is de indicator helemaal donker. De donkere stip wordt kleiner wanneer er minder spoelmiddel aanwezig is. Zorg ervoor dat het reservoir nooit minder dan 1/4 vol is.

Wanneer het niveau van het spoelmiddel omlaag gaat, verandert de grootte van de zwarte stip op de indicator, zoals hieronder geïllustreerd.

Vol       3/4 vol       1/2 vol       1/4 vol       Leeg

**Functie van vaatwasmiddel**

De detergentia, met hun chemische bestanddelen, zijn noodzakelijk om vuil te verwijderen, te vermalen en af te voeren uit de vaatwasser. De meeste in de handel beschikbare vaatwasmiddelen van goede kwaliteit zijn hiervoor geschikt.

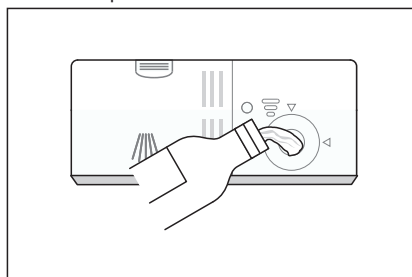
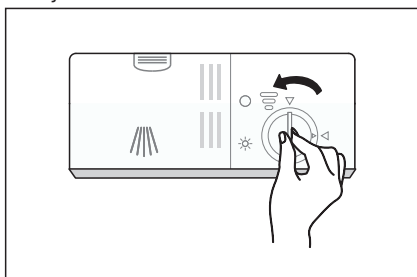
**WAARSCHUWING:**

Correct gebruik van afwasmiddel

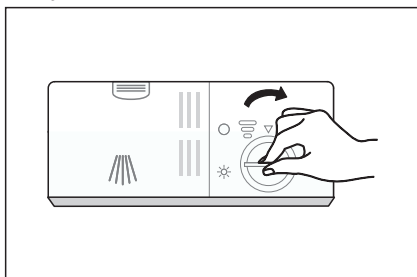
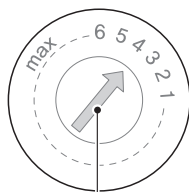
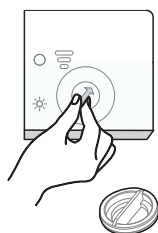
Gebruik enkel afwasmiddel dat speciaal voor vaatwassers bestemd is. Zorg ervoor dat het product droog en fris blijft. Vul het vaatwasmiddelbakje pas wanneer u klaar bent om de vaatwasser te starten. Vaatwasmiddel is een bijtend product! Houd vaatwasmiddel buiten bereik van kinderen.

**HET SPOELMIDDELBAKJE VULLEN**

1. Verwijder het afdekplaatje van het spoelmiddelbakje door tegen wijzerzin in te draaien.
2. Doe het spoelmiddel voorzichtig in het bakje. Zorg ervoor dat het niet overloopt.



3. Sluit het afdekplaatje van het spoelmiddelbakje door het in wijzerzin te draaien.

**Het spoelmiddelbakje aanpassen**

Hendel afstellen  
(Spoelen)

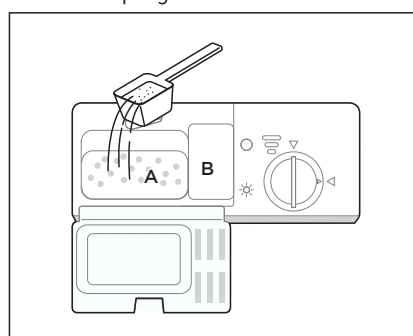
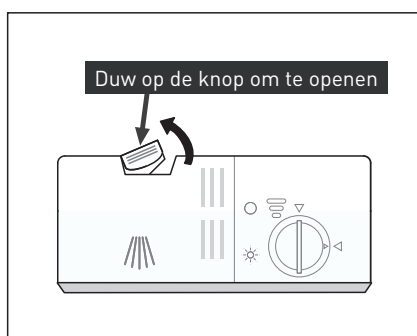
Stel de indicator voor spoelmiddel in op een bepaald getal. Hoe hoger het getal, hoe meer spoelmiddel de vaatwasser gebruikt.

Stel de indicator een getal hoger in wanneer de vaat niet goed droog is of er vlekken op zijn tot er geen vlekken meer op de vaat zijn. Verlaag wanneer er kleverige witachtige vlekken op uw vaat zitten of er een blauwachtige schijn op glas of meslemmetten zit.

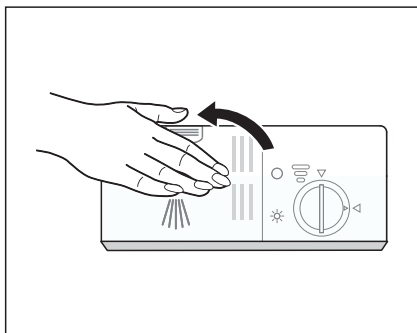


**HET AFWASMIDDELBAKJE VULLEN**

1. Druk op de ontgrendelknop op het vaatwasmiddelbakje om het deksel te openen.
2. Voeg vaatwasmiddel toe aan het grootste vakje (A) voor het hoofdprogramma. Voeg voor heel vuile vaat ook wat product toe in het kleinere vakje (B) voor het voorwasprogramma.



3. Sluit het deksel en druk erop tot het goed op zijn plaats zit.

**OPMERKING:**

Volg de aanbevelingen van de fabrikant op de verpakking van het vaatwasmiddel.

**ENERGIE BESPAREN**

1. Servies eerst afspoelen onder de kraan betekent een hoger energie- en waterverbruik en wordt niet aanbevolen.
2. Wanneer u de vaat doet met een vaatwasser voor huishoudelijk gebruik, verbruikt u gewoonlijk minder energie en water dan wanneer u met de hand afwast indien u de instructies volgt.

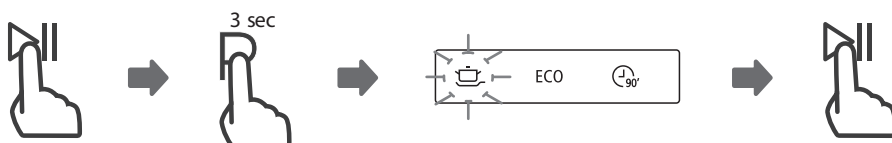
**EEN PROGRAMMA STARTEN**

1. Trek de onderste en bovenste mand eruit, plaats de vaat erin en duw ze er terug in. Het is aanbevolen om eerst de onderste mand in te laden en daarna de bovenste.
2. Vul met vaatwasmiddel.
3. Steek de stekker in het stopcontact. Zie de laatste pagina "Productfiche" voor de stroomtoevoer. Zorg ervoor dat de watertoevoer volledig open staat.
4. Sluit de deur en druk op de Aan/Uit-knop.
5. Kies een programma. Het lichtje gaat aan. Druk op Start / Pauze. De vaatwasser begint aan de cyclus.

**PROGRAMMA VERANDEREN IN HET MIDDEN VAN DE CYCLUS**

Het is enkel mogelijk om een programma te veranderen wanneer het net begonnen is. Anders is het vaatwasproduct misschien reeds toegevoegd of het afwaswater met vaatwasmiddel reeds afgevoerd. Indien dat het geval is, moet de vaatwasser opnieuw ingesteld worden en moet het vaatwasmiddelbakje bijgevuld worden. Volg onderstaande instructies om de vaatwasser opnieuw in te stellen:

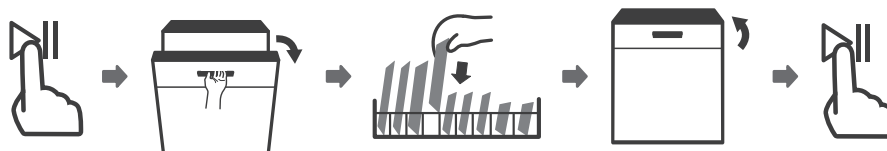
1. Druk op Start / Pauze om het afwassen te onderbreken.
2. Druk op de programmatoets gedurende meer dan 3 seconden - het programma wordt geannuleerd.
3. Druk op de programmatoets om het gewenste programma te kiezen.
4. Druk op de knop Start/Pauze om de vaatwasser te starten.



**EEN BORD VERGETEN?**

U kan een vergeten bord toevoegen op welk moment dan ook voor het vaatwasmiddelbakje geopend werd. Volg onderstaande instructies indien dit het geval is:

1. Druk op Start / Pauze om het afwassen te onderbreken.
2. Wacht 5 seconden voor u de deur opent.
3. Voeg het vergeten bord toe.
4. Sluit de deur.
5. Druk op Start / Pauze. De vaatwasser start 10 seconden later.

**WAARSCHUWING:**

Het is gevaarlijk om de deur in het midden van de cyclus te openen aangezien de hete stoom u kan verbranden.

**AUTOMATISCHE OPENING / ACTIV'DOOR**

Na het wassen opent de deur automatisch (kan niet worden geannuleerd) zodat de vaat beter kan drogen. De programma "Snel" heeft geen automatische openfunctie.

acti  
door

**OPMERKING:**

De deur van de vaatwasser mag niet geblokkeerd zijn wanneer ze ingesteld is om automatisch te openen. Hierdoor kan de vergrendelfunctie van de deur verstoord raken. Wanneer de machine de deur automatisch opendoet, geeft ze niet aan dat het afwasprogramma afgelopen is. Het is nodig om te wachten tot het controlelampje op the scherm niets meer toont. Dit geeft aan dat het lopende programma volledig afgelopen is.

## Reiniging en onderhoud

### DE BUITENKANT SCHOONMAKEN

#### Deur en deurafdichting

Maak de deurafdichting regelmatig schoon met een zachte vochtige doek om voedselresten te verwijderen. Wanneer de vaatwasser ingeladen wordt, kunnen er resten op de zijkanten van de deur van de vaatwasser terechtkomen. Deze oppervlakken bevinden zich buiten de waskast en kunnen niet bereikt worden door het water uit de sproeiarmen. Eventuele resten moeten afgeveegd worden voor u de deur sluit.

#### Het bedieningspaneel

Wanneer reiniging nodig is, mag het bedieningspaneel enkel met een zachte vochtige doek afgeveegd worden.

### WAARSCHUWING:

Gebruik geen sprayreiniger om te vermijden dat er water in het deurslot en de elektrische onderdelen binnendringt. Gebruik nooit schuurmiddelen of -sponsjes op de buitenkant aangezien er krassen op kunnen komen. Keukenpapier laat soms ook krassen of vlekken achter op het oppervlak.

### DE BINNENKANT SCHOONMAKEN

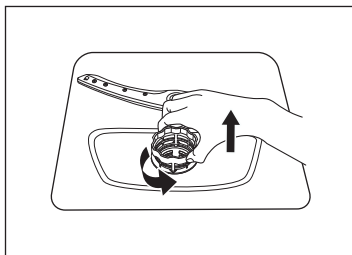
#### Filtersysteem

Het filtersysteem onderaan de waskast houdt vuil van de wascyclus tegen, inclusief vreemde voorwerpen zoals tandenstokers of scherven. Wanneer het vuil zich opstapelt, kunnen de filters verstopt raken. Controleer regelmatig de staat van de filters, verwijder vreemde voorwerpen en maak indien nodig de onderdelen van het filtersysteem schoon met water. Volg de onderstaande stappen om de filter te reinigen.

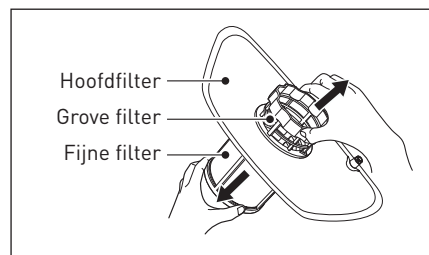
### WAARSCHUWING:

De foto's zijn louter ter informatie. De filtersystemen en sproeiarmen verschillen van model tot model.

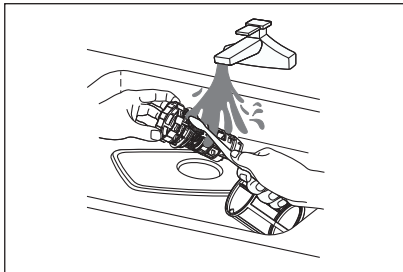
1. Houd de grove filter vast en draai hem tegen de klok in om de filter los te maken. Til de filter op en haal hem uit de vaatwasser.



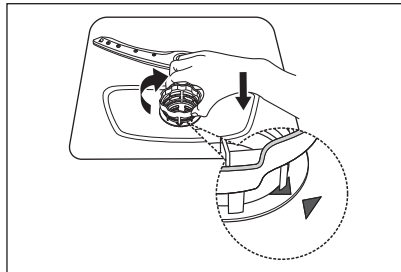
2. De fijne filter kan uit de bodem van de filtergroep worden getrokken. De grove filter kan van de hoofdfilter worden losgemaakt door zachtjes op de lipjes te duwen bovenaan de filter en eraan te trekken.



3. Grotere voedingsresten kunnen onder stromend water verwijderd worden. Gebruik een zachte borstel om grondiger schoon te maken.



4. Zet de filters in de omgekeerde volgorde terug in elkaar, plaats ze terug en draai in wijzerzin in de richting van de pijl.



### WAARSCHUWING:

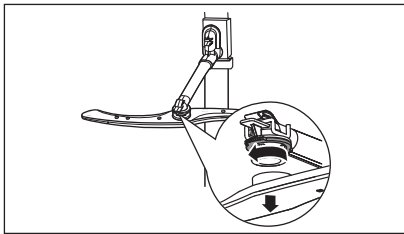
Draai de filters niet te vast aan. Plaats de filters in de juiste volgorde terug en schroef vast. Anders kan er grof vuil in het systeem terechtkomen en verstopping veroorzaken. Gebruik de vaatwasser nooit zonder filters. Onjuist terugplaatsen van de filter kan de prestaties van het toestel verminderen en de vaat en het keukengerei beschadigen.

**SPROEIARMEN**

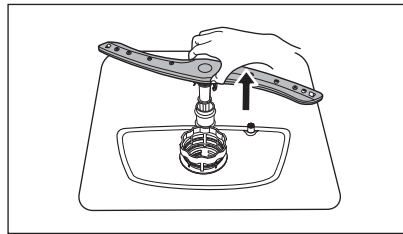
De sproeiarm moet regelmatig schoongemaakt worden omdat de sproeiers en lagers verstopt kunnen raken door de chemicaliën in hard water.

Volg onderstaande instructies om de sproeiarmen te reinigen:

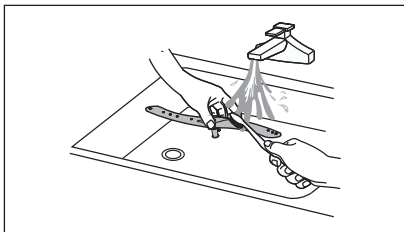
1. Om de bovenste sproeiarm te verwijderen, houd de schroef vast en draai de arm in wijzerzin om deze te verwijderen.



2. Om de onderste sproeiarm te verwijderen, trekt u deze naar boven.



3. Was de sproeiarm met lauw zeepsop en gebruik een zachte borstel om de jets te reinigen. Plaats ze opnieuw na ze grondig te hebben afgespoeld.

**ONDERHOUD VAN DE VAATWASSER****Voorzorgsmaatregelen voor vorst**

U dient voorzorgsmaatregelen voor vorst te nemen in de winter. Ga als volgt te werk wanneer de wascyclus beëindigd is:

1. Sluit de elektrische stroom naar de vaatwasser af bij de voedingsbron.
2. Draai de watertoevoer dicht en maak de watertoevoerslang los van de waterklep.
3. Voer het water van de watertoevoerslang en waterklep af. (Gebruik een pannetje om het water op te vangen)
4. Maak de watertoevoerslang opnieuw vast aan de waterklep.
5. Verwijder de filter aan de onderkant van de kuip en absorbeer het water in de opvangbak met een spons.

**NA ELKE WASBEURT**

Sluit na elke wasbeurt de watertoevoer af en laat de deur een tijdje openstaan om vocht en luchtjes te verwijderen.

**DE STEKKER VERWIJDEREN**

Haal altijd de stekker uit het stopcontact voor u reinigt of onderhoud uitvoert.

**GEEN OPLOS- OF SCHUURMIDDELEN**

Gebruik geen oplos- of schuurmiddelen om de buitenkant en de rubberen delen van de vaatwasser te reinigen. Gebruik enkel een doekje met zeep en warm water.

Gebruik een vochtig doekje en een beetje azijn of een schoonmaakproduct voor vaatwassers om vlekken aan de binnenkant te verwijderen.

**WANNEER DE VAATWASSER LANGE TIJD NIET GEBRUIKT WORDT**

Wij raden u aan een wascyclus met een lege machine uit te voeren en vervolgens de stekker uit het stopcontact te halen, de watertoevoer dicht te draaien en de deur van de vaatwasser een beetje open te laten. Dit verlengt de levensduur van de deurdichtingen en vermijdt geurtjes in de machine.

**DE VAATWASSER VERPLAATSEN**

Probeer de vaatwasser verticaal te houden wanneer hij verplaatst moet worden. Wanneer het echt noodzakelijk is, kan hij op de achterkant geplaatst worden.

**AFDICHTINGEN**

Er kunnen geuren ontstaan in de vaatwasser omdat er voedingsresten vastzitten in de dichtingen. Dit kan voorkomen worden door ze regelmatig schoon te maken met een vochtige spons.

## Probleemoplossing

### Voor u de hersteldienst belt

Wanneer u de tabellen op de volgende pagina's bekijkt, kan u zich allicht de moeite besparen om de hersteldienst te bellen.

Probleem	Mogelijke redenen	Oplossing
De vaatwasser start niet	• Er is een zekering gesprongen of de stroomonderbreker is ingeschakeld.	Vervang de zekering of reset de stroomonderbreker. Zorg ervoor dat de vaatwasser niet op hetzelfde circuit aangesloten is als andere toestellen.
	• De stroom is niet ingeschakeld.	Controleer of de vaatwasser aan staat en of de deur goed gesloten is. Zorg ervoor dat het netsnoer goed aangesloten is op het stopcontact.
	• De waterdruk is te laag.	Controleer of de watertoevoer juist aangesloten is en of de kraan opengedraaid is.
Het water wordt niet uit de vaatwasser gepompt	• De deur van de vaatwasser is niet correct gesloten.	Zorg ervoor dat de deur goed gesloten en vergrendeld is.
	• De afvoerslang is gedraaid of zit vast.	Kijk de afvoerslang na.
	• De filter is verstopt.	Controleer het filtersysteem.
Schuim in de kuip	• Gootsteen verstopt.	Kijk na of de gootsteen goed doorloopt. Indien een verstopte gootsteen het probleem is, heeft u een loodgieter nodig en geen vakman voor vaatwassers.
	• Verkeerd detergens.	Gebruik enkel speciale producten voor vaatwassers om zeepsop te vermijden. Open de vaatwasser en laat het zeepsop wegtrekken indien dit toch gebeurt. Voeg 1 liter koud water toe onderaan de vaatwasser. Sluit de deur van de vaatwasser en kies om het even welke cyclus. Eerst zal de vaatwasser het water wegpompen. Open de deur nadat het wegpompen beëindigd is en controleer of het zeepsop verdwenen is. Herhaal indien nodig.
	• Spoelmiddel gemorst.	Veeg spoelmiddel altijd meteen af wanneer u morst.



Probleem	Mogelijke reden	Oplossing
Vlekken aan de binnenkant van de kuip	<ul style="list-style-type: none"> <li>Het is mogelijk dat u vaatwasmiddel met kleurstoffen gebruikt heeft.</li> </ul>	Zorg ervoor dat het vaatwasmiddel geen kleurstof bevat.
Er zijn roestvlekken op het bestek	<ul style="list-style-type: none"> <li>Het keukengerei in kwestie is niet roestbestendig.</li> <li>U heeft geen programma laten lopen nadat u zout toegevoegd had. Er is zout in de wascyclus terechtgekomen.</li> <li>Het deksel van de waterontharder werd slecht geplaatst.</li> </ul>	<p>Was geen voorwerpen in de vaatwasser die niet roestbestendig zijn.</p> <p>Laat altijd een afwasprogramma werken zonder servies nadat u zout toegevoegd heeft. Selecteer de Turbofunctie (indien aanwezig) niet nadat u vaatwasserzout heeft toegevoegd.</p> <p>Controleer of het deksel van de waterontharder goed vast zit.</p>
De vaatwasser maakt een kloppend geluid	<ul style="list-style-type: none"> <li>Een sproeiarm botst tegen een voorwerp in de mand.</li> </ul>	Onderbreek het programma en herschik de voorwerpen die botsen met de sproeiarm.
De vaatwasser maakt een ratelend geluid	<ul style="list-style-type: none"> <li>De vaat in de vaatwasser beweegt.</li> </ul>	Onderbreek het programma en herschik de vaat.
Kloppend geluid in de waterleidingen	<ul style="list-style-type: none"> <li>Dit kan verband houden met de installatie ter plaatse of met de diameter van de slangen.</li> </ul>	Dit heeft geen invloed op de werking van de vaatwasser. Neem contact op met een gekwalificeerde loodgieter bij twijfel.
De vaat is niet schoon	<ul style="list-style-type: none"> <li>De vaat werd niet juist in de vaatwasser geplaatst.</li> <li>Het programma was niet krachtig genoeg.</li> <li>Er werd niet genoeg vaatwasmiddel gebruikt.</li> <li>Voorwerpen blokkeren het draaien van de sproeiarmen.</li> <li>Het filtersysteem is niet proper of is niet correct geplaatst in de onderkant van de vaatwasser. Hierdoor kunnen de sproeiers geblokkeerd worden.</li> </ul>	<p>Zie "De vaat voorbereiden en inladen".</p> <p>Selecteer een intenser programma.</p> <p>Gebruik meer vaatwasmiddel of een ander vaatwasmiddel.</p> <p>Herschik de voorwerpen zodat de sproeiarmen vlot kunnen ronddraaien.</p> <p>Maak de filter schoon of plaats hem correct. Maak de sproeiers van de sproeiarmen schoon.</p>

Probleem	Mogelijke reden	Oplossing
Troebele glazen.	<ul style="list-style-type: none"> <li>• Combinatie van zacht water en te veel vaatwasmiddel.</li> </ul>	Gebruik minder vaatwasmiddel wanneer uw water zacht is en selecteer een kortere cyclus om de glazen te wassen en schoon te krijgen.
Er zitten witte vlekken op de vaat en de glazen.	<ul style="list-style-type: none"> <li>• In streken waar er veel kalk in het water zit, kunnen witte vlekken op de vaat ontstaan.</li> </ul>	Controleer de instellingen van de waterontharder of de vulstatus van het zoutcompartiment.
Zwarte of grijze vlekken op de vaat	<ul style="list-style-type: none"> <li>• Aluminium elementen hebben tegen het vaatwerk geschuurd.</li> </ul>	Gebruik een mild schuurmiddel om de sporen te verwijderen.
Er is detergent achtergebleven in het detergent-compartiment	<ul style="list-style-type: none"> <li>• De vaat blokkeert het afwasmiddelvakje</li> </ul>	Laad de vaat opnieuw in.
De vaat is niet droog	<ul style="list-style-type: none"> <li>• Niet goed ingeladen</li> <li>• De vaat werd te vroeg verwijderd</li> <li>• U heeft niet het juiste programma geselecteerd.</li> <li>• Gebruik van bestek met een laag van slechte kwaliteit.</li> </ul>	<p>Draag handschoenen indien er restanten van het vaatwasmiddel op de vaat aanwezig zijn om huidirritatie te vermijden.</p> <p>Maak de vaatwasser niet onmiddellijk na het wassen leeg. Open de deur een beetje zodat de stoom kan ontsnappen. Haal de borden uit het toestel tot de temperatuur binnenin veilig is om aan te raken. Laad eerst de onderste mand uit om te vermijden dat er water vanuit de bovenste mand druppelt.</p> <p>Met een kort programma is de wastemperatuur lager waardoor de wasresultaten afnemen. Kies een programma met een lange wasduur.</p> <p>Het is moeilijker om het water af te voeren van deze voorwerpen. Bestek of vaat van dit type kan niet in de vaatwasser gewassen worden.</p>

**WAARSCHUWING:**

Zelf herstellingen uitvoeren of niet-professionele herstellingen houden ernstige risico's in voor de veiligheid van de gebruiker van het toestel en hebben een impact op de garantie.

**BESCHIKBAARHEID VAN RESERVEONDERDELEN**

- Zeven jaar nadat het laatste toestel van het model op de markt gebracht is:  
Motor, circulatie- en afvoerpomp, verwarmingstoestellen en verwarmingselementen, met inbegrip van warmtepompen (afzonderlijk of in combinatie), leidingen en aanverwante uitrusting met inbegrip van alle slangen, kleppen, filters en aquastops, structurele en binnenonderdelen met betrekking tot deurmontage (afzonderlijk of in combinatie), printplaten, elektronische displays, drukschakelaars, thermostaten en sensoren, software en firmware, inclusief reset-software.
- Tien jaar nadat het laatste toestel van het model op de markt gebracht is:  
Deurscharnieren en -dichtingen, andere dichtingen, sproeiarmen, afvoerfilters, rekken voor binnenin en plastic randapparatuur zoals manden en plaatjes.

**Foutcodes**

De vaatwasser toont een foutcode bij defecten. De volgende tabel geeft mogelijke foutcodes en hun oorzaken aan.

Probleem	Mogelijke reden	Oplossing
Het lampje Snel knippert snel	• Langere toevoertijd.	De kraan is niet open, de watertoevoer is beperkt of de waterdruk te laag.
De lampjes Snel en 90 min knipperen snel	• Bereikt de vereiste temperatuur niet.	Defect verwarmingselement.
Het lampje ECO knippert snel	• Overlopen.	Er is een lek in een onderdeel van de vaatwasser.
Intensief, ECO en Snel licht	• Storing in de communicatie tussen de hoofdprintplaat en de displayprintplaat.	Open circuit of probleem met de bedrading voor de communicatie.

**WAARSCHUWING:**

Draai de hoofdkraan van de watertoevoer toe bij overlopen voor u een dienst belt. Bij water in de kuip omwille van overlopen of een kleine lek moet het water verwijderd worden voor u de machine opnieuw aanzet. Vraag om professionele hulp bij foutcodes die u niet kan oplossen.

**Teller afwasbeurten**

Aangezien dit model geen weergavescherm heeft, wordt het nummer van de cyclus gevormd aan de hand van 4 leds. Hieronder vindt u de gedetailleerde uitleg:

1. Druk op de Uitstelknop en houd hem 5 seconden ingedrukt wanneer de stekker in het stopcontact zit, maar de vaatwasser niet ingeschakeld is, en de deur dicht is. Op het scherm van de vaatwasser verschijnt het aantal afwasbeurten.
2. Het tellen gaat van eenheden tot duizenden, als volgt: het knippen van Snel geeft eenheden van cycli aan, het knippen van 90min geeft tientallen cycli aan, het knippen van ECO geeft honderden cycli aan, het knippen van Intensief geeft duizenden cycli aan;
3. 1234 cycli wordt bijvoorbeeld als volgt weergegeven.



# ¡Muchas gracias!

Gracias por elegir este producto VALBERG.  
Elegido, probado y recomendado por ELECTRO DEPOT,  
los productos de la marca VALBERG son fáciles de  
usar, fiables y de un estándar impecable.  
Gracias a este aparato, puede estar seguro de que  
cada uso le proporcionará satisfacción.

Bienvenido a ELECTRO DEPOT.

Visite nuestra página web: [www.electrodepot.fr](http://www.electrodepot.fr)



**ELECTRO DEPOT**

116

ES

## Índice

### **A** Descripción general del aparato

Descripción general del producto

---

### **B** Uso del aparato

Guía de inicio rápido  
Instalación del producto  
Instrucciones de funcionamiento

---

### **C** Información útil

Limpieza y mantenimiento  
Solución de problemas  
Contador de utilización

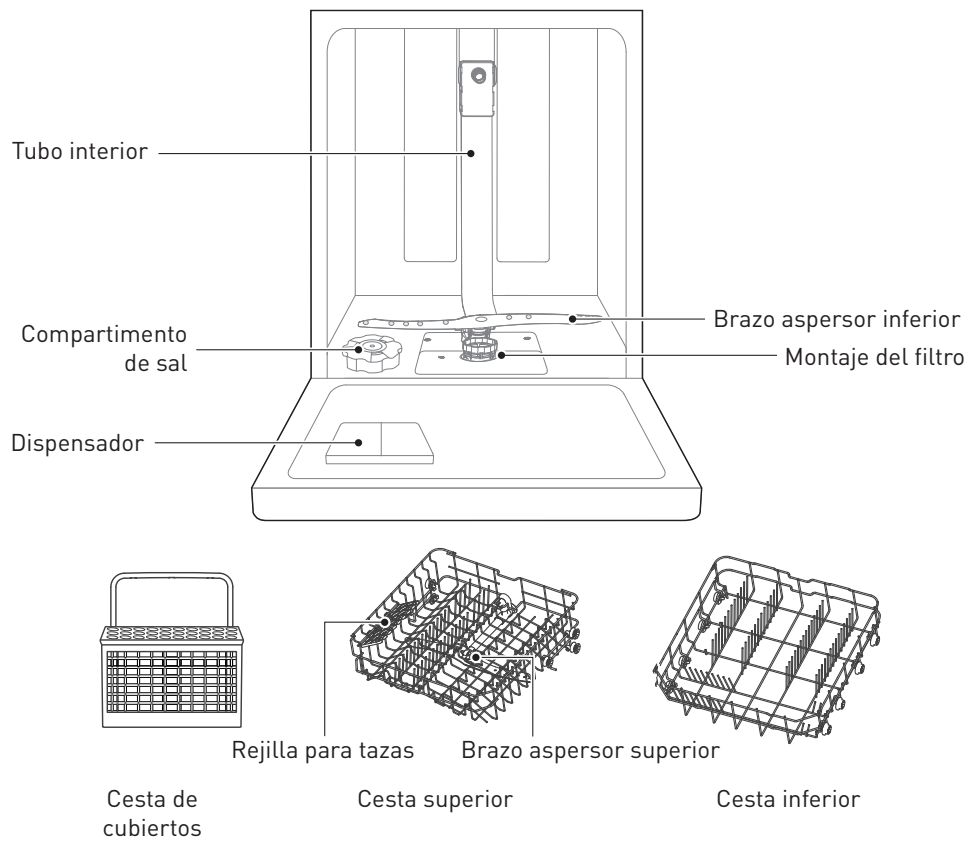
# A

## Descripción del aparato

### Descripción general del producto

#### **IMPORTANTE:**

Para obtener el mejor rendimiento de su lavavajillas, lea todas las instrucciones de funcionamiento antes de usarlo por primera vez.

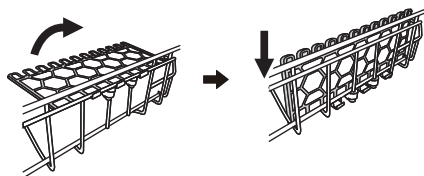


A

## Descripción del aparato

**NOTA:**

Para dejar espacio para los artículos de más altura en la cesta superior, suba la rejilla para tazas. Luego podrá apoyar los vasos altos contra la cesta. También puede quitarla cuando no la necesite.

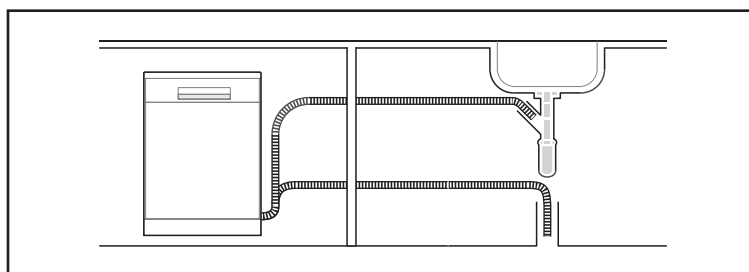




**Guía de inicio rápido****ADVERTENCIA:**

Lea el contenido correspondiente en el manual de instrucciones para conocer el método de funcionamiento detallado.

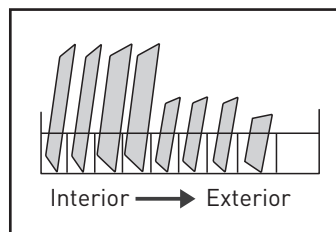
1. Instale el lavavajillas



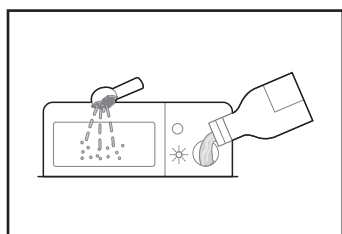
2. Retire los residuos más gruesos de los platos. No es necesario enjuagarlos previamente.



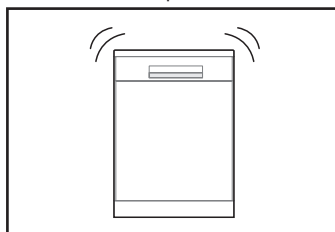
3. Cargue las cestas.



4. Rellene el dispensador de detergente y abrillantador.



5. Seleccione un programa adecuado y ponga el marcha el aparato.



## B

## Utilización del aparato

### Instalación del producto

#### **ADVERTENCIA:**

Peligro de descarga eléctrica

Desconecte la energía eléctrica antes de instalar el lavavajillas.

Si no lo hace, podría provocar la muerte o una descarga eléctrica.

#### **ATENCIÓN:**

La instalación de las tuberías y de los equipos eléctricos debe ser realizada por profesionales.

### ACERCA DE LA CONEXIÓN ELÉCTRICA

#### **ADVERTENCIA:**

Para garantizar la seguridad personal:

No utilice un cable alargador ni un enchufe adaptador con este aparato. No corte ni retire bajo ninguna circunstancia la conexión a tierra del cable de alimentación.

#### **Requisitos eléctricos**

Consulte la etiqueta de características para conocer el voltaje nominal y conecte el lavavajillas a la fuente de alimentación adecuada. Use el fusible requerido 10A / 13A / 16A, el fusible de acción retardada o el disyuntor recomendado y asegúrese de que dispone de un circuito separado que sirva solo para este aparato.

#### **Conexión eléctrica**

Asegúrese de que el voltaje y la frecuencia de la energía corresponden con los de la placa de características. Introduzca el enchufe únicamente en una toma de corriente que esté correctamente conectada a tierra.

Si la toma de corriente a la que debe conectarse el aparato no es adecuada para el enchufe, reemplace la toma, en lugar de utilizar adaptadores o similares, ya que podrían provocar sobrecalentamiento y quemaduras.

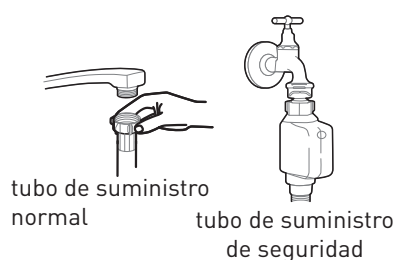
**ADVERTENCIA:**

Asegúrese de que exista una conexión a tierra adecuada antes de su uso.

**SUMINISTRO Y EVACUACIÓN DE AGUA****Conexión de agua fría**

Conecte el tubo de suministro de agua fría a un conector roscado de 3/4" (19,05 mm) y asegúrese de que esté bien ajustado en su lugar.

Si las tuberías de agua son nuevas o no se han utilizado durante un período de tiempo prolongado, deje correr el agua para asegurarse de que el agua está limpia. Esta precaución es necesaria para evitar el riesgo de que la entrada de agua se bloquee y dañe el aparato.

**El tubo de suministro de seguridad**

El tubo de suministro de seguridad consta de paredes dobles. El sistema garantiza su intervención bloqueando el flujo de agua en caso de rotura del tubo de suministro y cuando el espacio de aire entre el tubo de suministro y el tubo exterior corrugada está lleno de agua.

**ADVERTENCIA:**

Un tubo conectado al grifo puede explotar si se instala en la misma línea de agua que el lavavajillas. Si su fregadero tiene uno, se recomienda desconectar el tubo y tapan el orificio.

**Cómo conectar el tubo de seguridad**

1. Extraiga el tubo de suministro de seguridad del compartimento de almacenamiento ubicado en la parte trasera del lavavajillas.
2. Apriete los tornillos del tubo de suministro de seguridad en el grifo roscado de 3/4" (19,05 mm).
3. Abra el grifo de agua completamente antes de encender el lavavajillas.

**Cómo desconectar el tubo de suministro de seguridad**

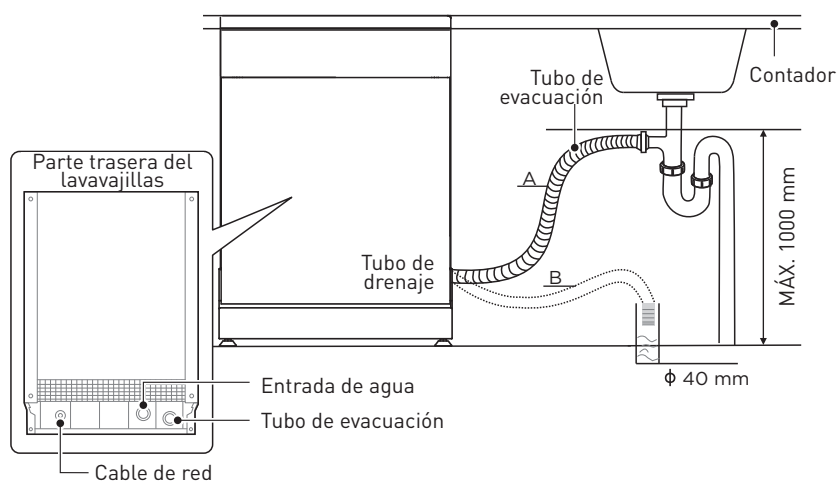
1. Cierre el grifo de agua.
2. Desenrosque el tubo de suministro de seguridad del grifo.

**CONEXIÓN DE LOS TUBOS DE EVACUACIÓN**

Introduzca el tubo de evacuación en un tubo de evacuación con un diámetro mínimo de 4 cm, o déjelo correr hacia el fregadero, asegurándose de no doblarlo ni aplastarlo. La altura del tubo de evacuación debe ser inferior a 1000 mm. El extremo libre del tubo no debe sumergirse en agua para evitar el reflujos.

**ADVERTENCIA:**

Fije el tubo de evacuación firmemente en la posición A o en la posición B.

**Cómo evacuar el exceso de agua de los tubos**

Si la conexión a la tubería de evacuación está a más de 1000 mm, puede quedar un exceso de agua en el tubo de evacuación. Será necesario drenar el exceso de agua del tubo en un recipiente adecuado situado fuera y más bajo que el fregadero.

**Salida de agua**

Conecte el tubo de suministro de agua. El tubo de evacuación debe estar correctamente colocado para evitar fugas de agua. Asegúrese de que el tubo de evacuación de agua no esté doblado ni aplastado.

## B

## Utilización del aparato

### Tubo de extensión

Si necesita una extensión del tubo de evacuación, asegúrese de utilizar un tubo de evacuación similar.

No debe medir más de 4 metros; de lo contrario, se podría reducir el efecto de lavado del lavavajillas.

### Conexión al sifón

La conexión del desagüe debe estar a una altura inferior a 1000 mm (máximo) desde la parte inferior del lavavajillas.

### COLOCACIÓN DEL APARATO

Coloque el aparato en la ubicación deseada. La parte posterior debe apoyarse contra la pared que hay detrás y los lados a lo largo de los muebles o paredes adyacentes. El lavavajillas está equipado con tubos de suministro de agua y evacuación que se pueden colocar a la derecha o a la izquierda para facilitar la instalación adecuada.

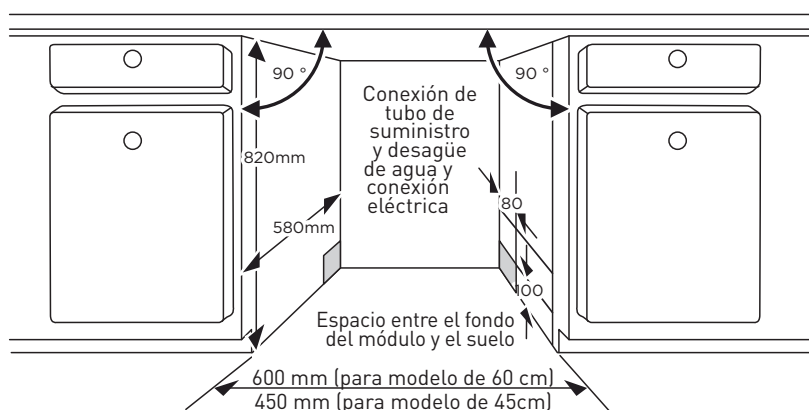
### INSTALACIÓN EMPOTRADA (PARA EL MODELO INTEGRADO)

#### Paso 1. Selección de la mejor ubicación para el lavavajillas

La posición de instalación del lavavajillas debería estar cerca de la entrada de agua, del tubo desagüe y de la toma de corriente existentes.

Ilustraciones de las dimensiones del módulo y de la posición de instalación del lavavajillas.

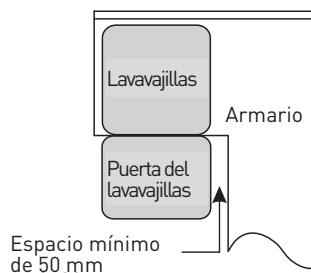
1. Menos de 5 mm entre la parte superior del lavavajillas y el módulo y la puerta exterior alineada con el módulo de la alacena.



## B

### Utilización del aparato

2. Si el lavavajillas debe instarse en un módulo de esquina, debe quedar espacio suficiente cuando la puerta se abra.



#### **ADVERTENCIA:**

Dependiendo de dónde se encuentre situada la toma eléctrica, es posible que necesite recortar un agujero en el lado contrario del módulo.

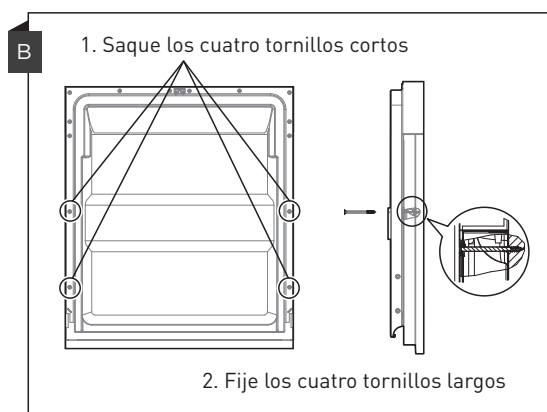
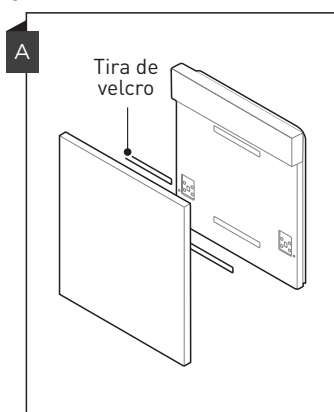
#### **Paso 2. Dimensiones e instalación del panel estético**

#### **ADVERTENCIA:**

Siga las instrucciones de instalación específicas para fijar el panel de la puerta estético.

#### **Modelo semi-integrado**

Separe la tira de velcro A y la tira de velcro B y pegue la tira de velcro A en el lado interior del panel estético. Pegue la tira de velcro B en la puerta exterior del lavavajillas (véase figura A). Después de colocar el panel, fije el panel a la puerta exterior con tornillos y pernos (Véase figura B).

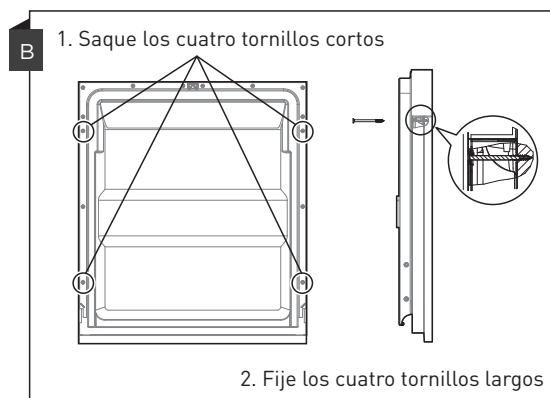
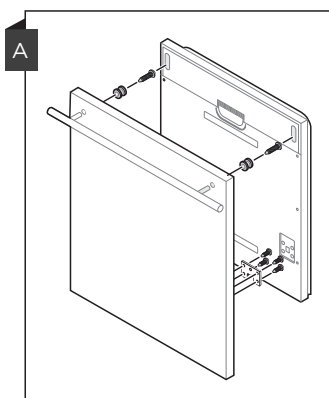


## B

## Utilización del aparato

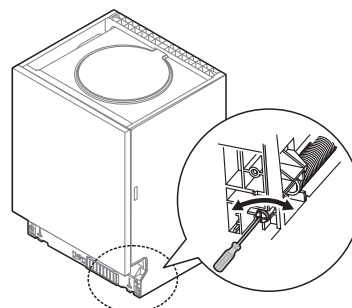
### Modelo totalmente integrado

Instale el gancho en el panel estético y coloque el gancho en la ranura de la puerta exterior del lavavajillas (véase figura A). Después de colocar el panel, fije el panel a la puerta exterior con tornillos y pernos (Véase figura B).



### Paso 3. Ajuste de la tensión del resorte de la puerta

1. Los resortes de la puerta están ajustados de fábrica con la tensión adecuada para la puerta exterior. Si se instala el panel estético, deberá ajustar la tensión del resorte de la puerta. Gire el tornillo de ajuste para impulsar el ajustador para tensar o aflojar el cable de acero.
2. La tensión del resorte de puerta es correcta cuando la puerta permanece horizontal en posición totalmente abierta, pero se llega a cerrar con solo levantar un dedo.



## B

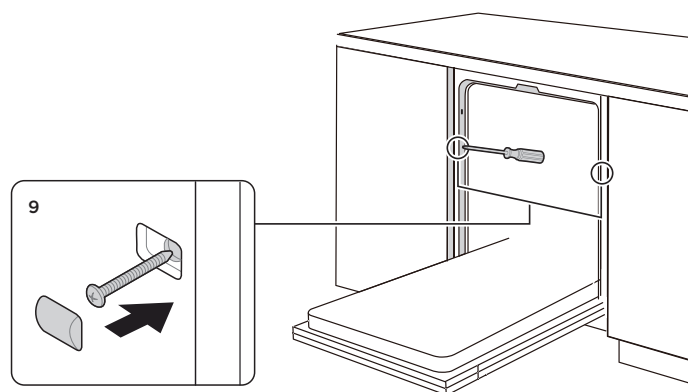
## Utilización del aparato

### Paso 4. Pasos para la instalación del lavavajillas

#### ADVERTENCIA:

Consulte los pasos para la instalación específicos en los dibujos de instalación.

1. Pegue la tira de condensación debajo de la encimera del módulo. Asegúrese de que la tira de condensación está nivelada con el filo de la encimera. (Paso 2)
2. Conecte la manguera de salida al suministro de agua fría.
3. Conecte el tubo de desagüe.
4. Conecte el cable de alimentación.
5. Coloque el lavavajillas en el módulo.
6. Nivele el lavavajillas. La pata trasera se puede ajustar desde la parte delantera del lavavajillas girando el tornillo Philips en el centro de la base del lavavajillas utilizando un destornillador de estrella. Para ajustar las patas delanteras, utilice un destornillador plano y gire las patas delanteras hasta que el lavavajillas esté nivelado. (Paso 5 a Paso 6)
7. Instale la puerta del mueble en la puerta exterior del lavavajillas. (Paso 7 a Paso 10)
8. Ajuste la tensión de los resortes de la puerta utilizando un destornillador de estrella girándolo en el sentido de las agujas del reloj para ajustar los resortes de la puerta derecho e izquierdo. Si no realiza este paso, podría provocar daños a su lavavajillas. (Paso 11)
9. El lavavajillas debe estar seguro en su sitio. Fije el lateral con tornillos.

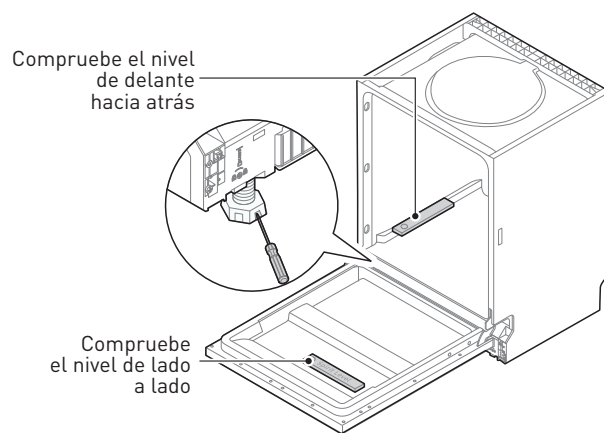




**Paso 5. Nivelación del lavavajillas**

El lavavajillas debe estar nivelado para el correcto funcionamiento del estante de platos y el rendimiento de lavado.

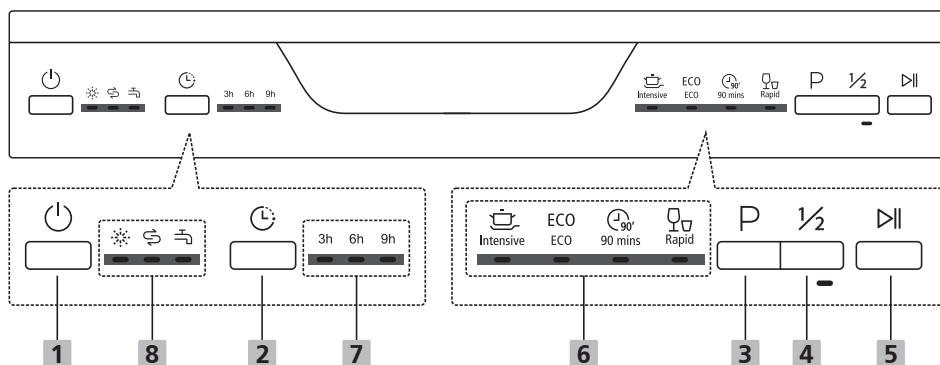
1. Coloque un nivel en la puerta y en el riel del estante dentro del aparato como se muestra para comprobar que el lavavajillas está nivelado.
2. Nivele el lavavajillas ajustando las tres patas de nivelación de forma individual.
3. Al nivelar el lavavajillas, preste atención a no volcar el lavavajillas.



# B

## Utilización del aparato





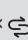

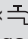
### Instrucciones de funcionamiento



Descripción		
<b>1</b>	Encendido	• Pulse este botón para encender el lavavajillas.
<b>2</b>	Inicio programado	• Presione el botón para configurar el tiempo de inicio diferido, se encenderá el indicador correspondiente.
<b>3</b>	<b>P</b> Programa	• Seleccione el programa de lavado adecuado, el indicador del programa seleccionado se encenderá.
<b>4</b>	<b>1/2</b> Media carga	• Cuando haya llenado la mitad o menos de la capacidad del lavavajillas, podrá elegir esta función para ahorrar energía y agua. (Solo puede utilizarse con los programas Intensivo, ECO y 90 min).
<b>5</b>	Inicio/Pausa	• Pulse el botón para iniciar el programa de lavado seleccionado o para pausar el programa que esté en marcha.
<b>6</b> Programa indicadores	Intensivo	• Vajilla muy sucia, incluidas las ollas y las sartenes. Vajilla con comida seca.
	ECO ECO	• Este es un programa estándar, apto para vajillas con una suciedad normal, y es el programa más eficiente en términos de consumo combinado de energía y agua para ese tipo de vajilla.
	90 min	• Para vajillas normalmente sucias que necesiten un lavado rápido.
	Rápido	• Un lavado más corto para vajillas ligeramente sucias que no necesiten secado.

## B

## Utilización del aparato

		Descripción
<b>7</b>	 Tiempo del inicio diferido	<ul style="list-style-type: none"> <li>• Muestra el tiempo del inicio diferido(3h/6h/9h).</li> </ul>
<b>8</b> Indicadores de advertencia	 Abrillantador	<ul style="list-style-type: none"> <li>• Si el indicador «» está encendido, indica que el lavavajillas tiene poco abrillantador y es necesario rellenarlo.</li> </ul>
	 Sal	<ul style="list-style-type: none"> <li>• Si el indicador «» está encendido, indica que el lavavajillas tiene poca sal y es necesario rellenarla.</li> </ul>
	 Fallo de suministro de agua	<ul style="list-style-type: none"> <li>• Si el indicador «» está encendido, indica que el agua no está llegando al lavavajillas.</li> </ul>




## B

## Utilización del aparato

### PROGRAMAS

La siguiente tabla muestra qué programas son mejores para los niveles de residuos de alimentos y cuánto detergente se necesita. También muestra información diversa sobre los programas. Los valores de consumo y la duración del programa son solo indicativos, excepto para el programa ECO.

(●) indica que el programa utiliza abrillantador en el último aclarado.

Programa	Descripción De Ciclo	Detergente Lavado previo/principal	Ejecución Tiempo (min)	Energía (kWh)	Agua (L)	Aclarado Abrillantador
 Intensivo	Prelavado Lavado (60°C) Aclarado Aclarado (65-72°C) Secado	$\frac{4/16 \text{ g}}{1 \text{ o } 2 \text{ pastillas}}$	175	1,275-1,385	13,9	●
<b>ECO</b> (*EN60436)	Lavado (50°C) Aclarado Aclarado (45°C) Secado	$\frac{20\text{g}}{1 \text{ pastilla}}$	210	0,824	11,0	●
 90 min	Lavado (55°C) Aclarado Aclarado (60-65°C) Secado	$\frac{20\text{g}}{1 \text{ pastilla}}$	90	0,955-1,030	11,2	●
 Rápido	Lavado (45°C) Aclarado Aclarado (45°C)	$\frac{12\text{g}}{1 \text{ pastilla}}$	30	0,584	10,3	○

### NOTA:

**ECO (\*EN60436):** El programa ECO es adecuado para la limpieza de una vajilla con un suciedad normal. En este caso, es el programa más eficiente en términos de consumo combinado de energía y agua, y se utiliza para evaluar el cumplimiento de la legislación de diseño ecológico de la UE.

**PREPARACIÓN Y CARGA DE LA VAJILLA**

Compre utensilios identificados como aptos para lavavajillas.

Para objetos particulares, seleccione un programa con la temperatura más baja posible.

Para evitar daños, no saque los vasos ni los cubiertos del lavavajillas inmediatamente después de que finalice el programa.

**Para lavar las siguientes vajillas****No son adecuados**

Cubiertos con mangos de madera, cuerno o nácar

Objetos de plástico que no son resistentes al calor

Cubiertos antiguos con partes pegadas que no son resistentes a las altas temperaturas

Cubiertos o platos pegados

Artículos de peltre o cobre

Vasos de cristal

Objetos de acero que puedan oxidarse

Bandejas de madera

Objetos hechos de fibras sintéticas

**Son de idoneidad limitada**

Algunos tipos de vasos pueden volverse opacos después de muchos lavados

Los artículos de plata y aluminio tienden a decolorarse durante el lavado

Los patrones vidriados podrían borrarse si se lavan a máquina con frecuencia

**Recomendaciones para cargar el lavavajillas**

Retire la comida sobrante. Ablande los restos de comida quemada en las cacerolas. No es necesario enjuagar los platos con agua corriente.

Para obtener el mejor rendimiento del lavavajillas, siga estas pautas de carga.

**(Las características y el aspecto de las cestas y las cestas para cubiertos pueden variar con respecto a su modelo).**

Coloque los objetos en el lavavajillas de la siguiente manera:

Los objetos como tazas, vasos, ollas, sartenes, etc. deben colocarse hacia abajo.

Los objetos curvos o con huecos deben cargarse inclinados para que el agua pueda escurrirse.

Todos los utensilios deben apilarse de forma segura para que no puedan volcarse.

Todos los utensilios se colocan de manera que los brazos aspersores puedan girar libremente durante el lavado.

Cargue los objetos huecos como tazas, vasos, sartenes, etc. Con la abertura hacia abajo para que el agua no se acumule en el recipiente o en una base profunda.

Los platos y cubiertos no deben estar uno dentro del otro ni cubrirse entre sí.

Para evitar daños, los vasos no deben tocarse entre sí.

## B

### Utilización del aparato

La cesta superior está diseñada para contener vajilla más delicada y liviana, como vasos y tazas de café y té.

¡Los cuchillos de hoja larga colocados en posición vertical son un peligro potencial!

Los cubiertos largos y afilados, como los cuchillos para trinchar, deben colocarse horizontalmente en la cesta superior.

No sobrecargue el lavavajillas. Esto es importante para obtener buenos resultados y un consumo razonable de energía.

#### **NOTA:**

Los objetos muy pequeños no deben lavarse en el lavavajillas, ya que podrían caerse fácilmente de la cesta.

#### **Retirar la vajilla**

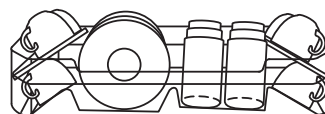
Para evitar que caiga agua de la cesta superior a la inferior, le recomendamos que vacíe primero la cesta inferior y luego la superior.

#### **ADVERTENCIA:**

¡Los objetos están calientes! Para evitar daños, no saque los vasos ni los cubiertos del lavavajillas en los siguientes 15 minutos después de que finalice el programa.

#### **Cargar la cesta superior**

La cesta superior se ha diseñado para contener vajilla más delicada y ligera, como vasos y tazas de café y té, así como platos, cuencos pequeños y sartenes poco profundas (siempre que no estén demasiado sucios). Coloque la vajilla y los utensilios de cocina de forma que el chorro de agua no los pueda mover.



## B

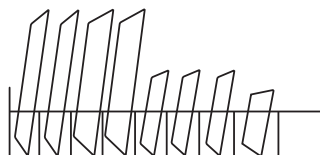
## Utilización del aparato

### Cargar la cesta inferior

Le recomendamos que coloque los objetos grandes y difíciles de limpiar en la cesta inferior: tarros, sartenes, tapaderas, fuentes y cuencos, tal y como se muestra en la siguiente figura.

Es preferible colocar los platos de servir y las tapas en los laterales de las rejillas, para evitar que se bloquee el giro del brazo aspersor superior.

El diámetro máximo aconsejado para los platos colocados delante del dosificador de detergente es de 19 cm para no dificultar la apertura del mismo.



### Cargar la cesta de cubiertos

Los cubiertos se deben colocar en la cesta de cubiertos, separados y en las posiciones adecuadas. Evite amontonar los cubiertos; de lo contrario, podrían no lavarse bien.

### **ADVERTENCIA:**

No deje que ningún objeto se escurra por la parte inferior.  
¡Cargue siempre los utensilios afilados con la punta afilada hacia abajo!

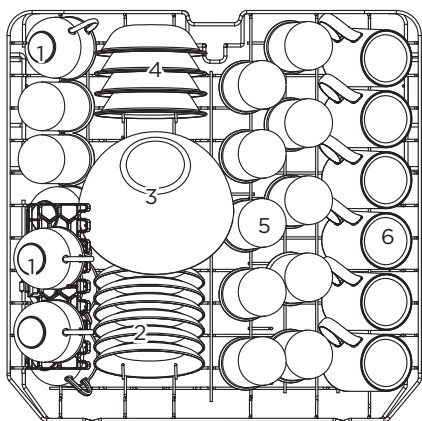
## B

## Utilización del aparato

### CARGA DE LA CESTA SEGÚN EN60436:

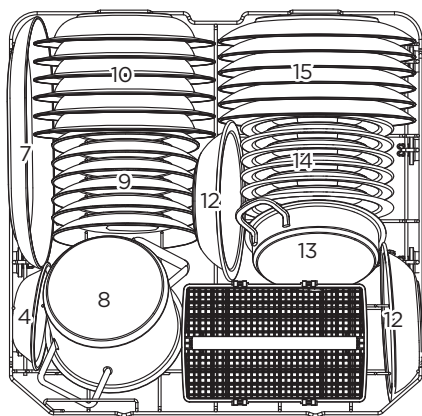
Cargar el lavavajillas a su máxima capacidad contribuirá al ahorro de agua y energía.

#### 1. Cesta superior:



Número		Objeto
1	D = 7,8cm A = 4,5cm	Tazas
2	D = 14cm	Salseras
3	D = 18,6cm A = 9,5cm	Cuenco de cristal
4	D = 13cm	Cuencos de postre
5	D = 6cm A = 12cm	Vasos
6	D = 7cm A = 10cm	Tazones

#### 2. Cesta inferior:

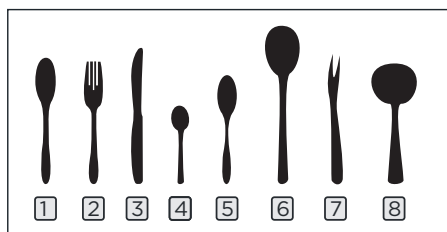


Número		Objeto
7	D = 32cm	Fuentes ovaladas
8	D = 16cm A = 10,5cm	Tarros pequeños
9	D = 19cm	Platos de postre
10	D = 23cm	Platos hondos
11		Cesta de cubiertos
12	D = 21,3cm	Cuencos de melamina
13	D = 16cm A = 4,1cm	Tarros de horno
14	D = 19,5cm	Platos de postre de melamina
15	D = 25cm	Platos llanos



## 3. Cesta de cubiertos:

	1	2	1		4	4	4	4	4	4		1	2	1	
	2	2	2			8			7			3	3		2
IN	1	2	1		4	4	4	4	4	4		1	3	1	
	1	2	1		5	5	5	5	5	5		3	3	3	
	2	2	2			3			3			3	3	3	3
	1	2	1		5	5	5	5	5	5		6		6	



Información para las pruebas de comparabilidad según la EN60436  
 Capacidad: 12 cubiertos  
 Posición de la cesta superior: posición inferior  
 Programa: ECO  
 Ajuste del abrillantador: Máx.  
 Ajuste del descalcificador: H3

Número	Objeto
1	Cucharas soperas
2	Tenedores
3	Cuchillos
4	Cucharillas
5	Cucharas de postre
6	Cucharones de servir
7	Tenedor de servir
8	Cucharón de salsa

## B

## Utilización del aparato

### AÑADIR SAL AL COMPARTIMENTO DESCALCIFICADOR

#### **NOTA:**

Si su modelo no tiene descalcificador de agua, ignore esta sección. Utilice siempre sal para lavavajillas.

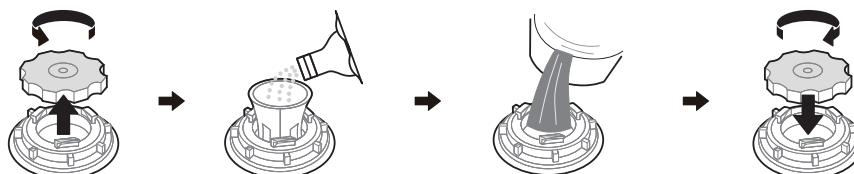
La dureza del agua varía de un lugar a otro. Si se usa agua dura en el lavavajillas, se formarán restos en los platos y utensilios. El aparato está equipado con un descalcificador especial que utiliza un recipiente de sal diseñado específicamente para eliminar la cal y los minerales del agua. El recipiente de sal se encuentra debajo de la cesta inferior y debe rellenarse como se explica a continuación:

#### **ADVERTENCIA:**

¡Utilice solo sal creada específicamente para lavavajillas! Cualquier otro tipo de sal que no esté específicamente creada para su uso en lavavajillas, especialmente la sal de mesa, dañará el descalcificador de agua. En caso de daños causados por el uso de sal inadecuada, el fabricante no ofrece ninguna garantía ni se hace responsable de los daños causados.

Rellene el compartimento de sal antes de ejecutar un ciclo. Esto evitará que los granos de sal o el agua salada, que podrían haberse derramado, permanezcan en la parte inferior del aparato durante un cierto de tiempo y puedan oxidarlo.

**Siga los siguientes pasos para añadir sal para lavavajillas:**



1. Retire la cesta inferior y desenrosque la tapa del depósito.
2. Coloque el extremo del embudo (si se incluye) en el orificio y vierta aproximadamente 1,5 kg de sal para lavavajillas.
3. Llene el depósito de sal hasta su límite máximo con agua. Es normal que salga una pequeña cantidad de agua del depósito de sal.
4. Después de llenar el depósito de sal, vuelva a enroscar bien la tapa.
5. La luz de advertencia de sal se apagará después de que el depósito de sal se haya rellenado de sal.
6. Inmediatamente después de llenar la sal en el depósito de sal, se debe iniciar un programa de lavado (le sugerimos utilizar un programa corto). De lo contrario, el agua salada podría dañar el sistema de filtrado, la bomba u otras partes importantes del aparato. Esto no está cubierto por la garantía.

#### **NOTA:**

El depósito de sal solo debe rellenarse cuando se enciende el indicador de sal en el panel de control. Dependiendo de lo bien que se disuelva la sal, es posible que la luz de advertencia de sal siga encendida aunque el depósito de sal esté lleno. Si no hay ningún indicador de advertencia de sal en el panel de control (para algunos modelos), puede estimar cuándo llenar el descalcificador con sal en función de los ciclos que ha ejecutado el lavavajillas. Si se ha derramado sal, ejecute un programa de aclarado o un programa rápido para eliminarla.

#### **DESCALCIFICADOR DE AGUA**

El descalcificador de agua debe ajustarse manualmente, usando el cuadrante de dureza del agua. El descalcificador de agua está diseñado para eliminar minerales y sales del agua, lo que podría tener un efecto perjudicial o adverso en el funcionamiento del aparato.

Cuanto más minerales haya, más dura será el agua.

El descalcificador debe ajustarse de acuerdo con la dureza del agua en su localidad.

La autoridad de agua local puede aconsejarle sobre la dureza del agua en su localidad.

## B

## Utilización del aparato

### Ajustar el consumo de sal

El lavavajillas está diseñado para poder ajustar la cantidad de sal consumida en función de la dureza del agua utilizada. Esto tiene como objetivo optimizar y personalizar el nivel de consumo de sal.

Siga estos pasos para ajustar el consumo de sal.

1. Cierre la puerta y encienda el aparato.
2. En los 60 segundos posteriores al encendido del aparato presione el botón Programa durante más de 5 segundos para iniciar el modo de ajuste del descalcificador de agua.
3. Presione el botón Programa nuevamente para seleccionar la configuración adecuada de acuerdo con la dureza de su agua local, la configuración cambiará según la siguiente secuencia: H3->H4->H5->H6->H1->H2->H3;
4. No toque nada durante 5 segundos o presione el interruptor de encendido para completar la configuración y salir del modo de configuración.

DUREZA DEL AGUA				Nivel de descalcificador	La regeneración ocurre cada X secuencias de programa <sup>1)</sup>	Sal consumo (gramos/ciclo)
Alemán °dH	Francés °fH	Británico °Clarke	Mmol/l			
0 - 5	0 - 9	0 - 6	0 - 0,94	H1: Rápido Luz brillante	No hay regeneración	0
6 - 11	10 - 20	7 - 14	1,0 - 2,0	H2: 90min Luz brillante	10	9
12 - 17	21 - 30	15 - 21	2,1 - 3,0	H3: Rápido, 90min, Luz brillante	5	12
18 - 22	31 - 40	22 - 28	3,1 - 4,0	H4: ECO Luz brillante	3	20
23 - 34	41 - 60	29 - 42	4,1 - 6,0	H5: ECO Rápido, Luz brillante	2	30
35 - 55	61 - 98	43 - 69	6,1 - 9,8	H6: 90min, ECO, Luz brillante	1	60

1°dH=1,25 °Clarke=1,78 ) °fH=0,178mmol/l

### Ajustes de fábrica: H3

<sup>1)</sup> Cada ciclo con una operación de regeneración consume 2,0 litros adicionales de agua, el consumo de energía aumenta en 0,02 kWh y el programa se amplía 4 minutos.

**FUNCIÓN DEL ABRILLANTADOR Y DEL DETERGENTE**

El abrillantador se distribuye durante el aclarado final para evitar que el agua forme gotas en los platos, que pueden dejar manchas y rayas. También mejora el secado al permitir que el agua se escurra de los platos. Su lavavajillas está diseñado para usar abrillantadores líquidos.

**ADVERTENCIA:**

Utilice únicamente abrillantador de marca para lavavajillas. Nunca rellene el dispensador de abrillantador con otras sustancias (ej.: producto de limpieza de lavavajillas, detergente líquido). Esto dañaría el aparato.

**¿Cuándo hay que rellenar el abrillantador?**

Si la luz de advertencia de abrillantador (☼) del panel de control no está encendida, siempre puede estimar la cantidad a partir del color del indicador de nivel óptico ubicado junto a la tapa. Cuando el recipiente de abrillantador está lleno, el indicador estará completamente oscuro. El tamaño del punto oscuro disminuye a medida que disminuye el abrillantador. Nunca debe dejar que el nivel de abrillantador sea inferior a 1/4 de su capacidad.

A medida que disminuye el abrillantador, el tamaño del punto negro en el indicador de nivel de abrillantador cambia, como se ilustra a continuación.

● Lleno      ● Lleno a 3/4      ● Lleno a 1/2      ● Lleno a 1/4      ○ Vacío

**Función del detergente**

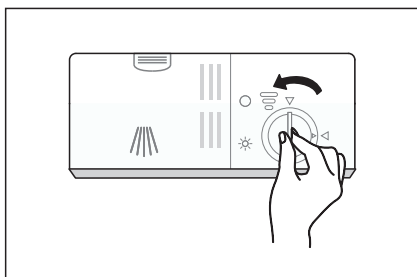
Los ingredientes químicos que componen el detergente son necesarios para eliminar y triturar toda la suciedad del lavavajillas y deshacerse de ella. La mayoría de los detergentes de calidad comercial son adecuados para ello.

**ADVERTENCIA:****Uso correcto del detergente**

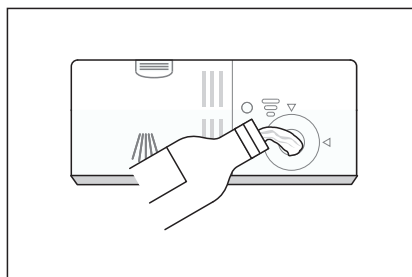
Utilice solo detergente fabricado específicamente para lavavajillas. Mantenga su detergente fresco y seco. No añada el detergente al dispensador hasta que esté listo para poner en marcha el lavavajillas. El detergente para lavavajillas es corrosivo. Mantenga el detergente de lavavajillas fuera del alcance de los niños.

**LLENAR EL DEPÓSITO DE ABRILLANTADOR**

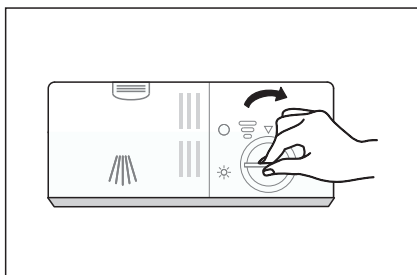
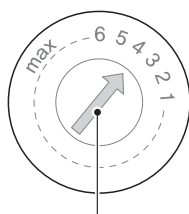
1. Retire la tapa del depósito de abrillantador girándola en sentido antihorario.



2. Vierta con cuidado el abrillantador en el dosificador, evitando que se desborde.



3. Cierre el depósito de abrillantador girándolo en el sentido horario.

**Ajuste del depósito de abrillantador**

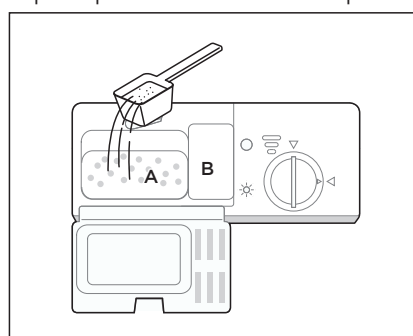
Palanca de ajuste  
(Aclarado)

Gire el botón indicador de abrillantador hasta un número. Cuanto mayor sea el número, más abrillantador utilizará el lavavajillas.

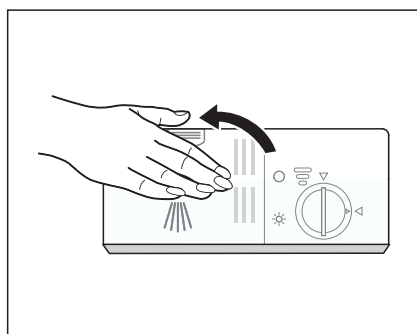
Si los platos no se secan correctamente o tienen manchas, ajuste el botón al siguiente número más alto hasta que sus platos queden limpios. Reduzca el número si hay manchas blanquecinas pegajosas o una película azulada en la vajilla de cristal o las hojas de los cuchillos.

**RELLENAR EL DISPENSADOR DE DETERGENTE**

1. Presione el pestillo de desbloqueo del dispensador de detergente para abrir la tapa.
2. Añada detergente en la cavidad más grande (A) para el lavado principal. Para una vajilla más sucia, añada también un poco de detergente en la cavidad más pequeña (B) para que se libere durante el prelavado.



3. Cierre la tapa y presiónela hasta que encaje en su lugar.

**NOTA:**

Consulte las recomendaciones del fabricante en el envase del detergente.

## B

## Utilización del aparato

### AHORRO DE ENERGÍA

1. Si enjuaga la vajilla antes de introducirla en el aparato consumirá mayor agua y energía, por ello, no se recomienda hacerlo.
2. Lavar la vajilla en un lavavajillas doméstico generalmente consume menos energía y agua que lavar los platos a mano cuando el lavavajillas se usa según estas instrucciones.

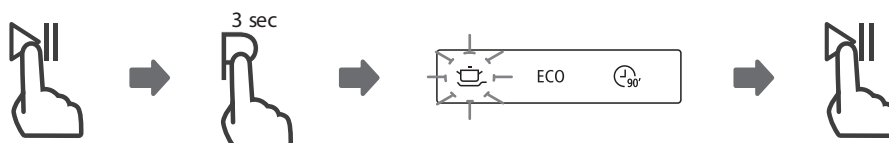
### INICIAR UN PROGRAMA

1. Saque las cestas inferior y superior, cargue la vajilla y empuje las cestas hacia atrás. Se recomienda cargar primero la cesta inferior y luego la superior.
2. Vierta el detergente.
3. Introduzca el enchufe en la toma. Para la fuente de alimentación consulte la última página «Ficha del producto». Asegúrese de que el suministro de agua esté abierto a la máxima presión.
4. Cierre la puerta, presione el interruptor de encendido.
5. Elija un programa, la luz correspondiente se encenderá. Luego presione el botón Inicio/Pausa, el lavavajillas comenzará su ciclo.

### CAMBIO DE UN PROGRAMA A MITAD DE CICLO

Un programa solo se puede cambiar si ha estado funcionando solo durante un corto período de tiempo, de lo contrario, es posible que el detergente ya se haya liberado o que el agua de lavado con el detergente ya se haya evacuado. Si este es el caso, el lavavajillas debe reiniciarse y el dosificador de detergente debe rellenarse. Para reiniciar el lavavajillas, siga las siguientes instrucciones:

1. Presione el botón Inicio/Pausa para pausar el lavado.
2. Presione el botón Programa durante más de 3 segundos - el programa se cancelará.
3. Presione el botón Programa para seleccionar el programa deseado.
4. Pulse el botón Inicio/Pausa; el lavavajillas se pondrá en marcha.

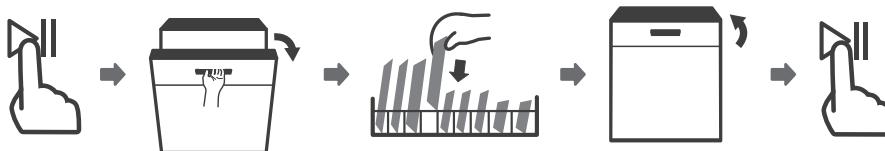




**¿OLVIDÓ AÑADIR ALGÚN PLATO?**

Puede añadir un plato olvidado en cualquier momento antes de que se abra el dispensador de detergente. Si este es el caso, siga las instrucciones siguientes:

1. Presione el botón Inicio/Pausa para pausar el lavado.
2. Espere 5 segundos y luego abra la puerta.
3. Incorpore los platos olvidados.
4. Cierre la puerta.
5. Presione el botón Inicio/Pausa, el lavavajillas volverá a encenderse después de 10 segundos.

**ADVERTENCIA:**

Es peligroso abrir la puerta a mitad del ciclo, ya que el vapor caliente podría quemarlo.

**APERTURA AUTOMÁTICA / ACTIV'DOOR**

Después del lavado, la puerta se abrirá automáticamente por defecto (no se puede cancelar) para conseguir un resultado mejor en el secado. El programa rápido no tiene la función de apertura automática.

acti  
door

**NOTA:**

La puerta del lavavajillas no debe quedar bloqueada cuando se haya configurado la apertura automática, ya que esto podría impedir el funcionamiento del cierre de la puerta. Cuando la máquina abre automáticamente la puerta, no indica que el programa de lavado ha finalizado. Es necesario esperar hasta que la luz piloto o la pantalla de visualización ya no muestre nada, lo que indica que el programa de ejecución ha finalizado completamente.

## Limpieza y mantenimiento

### LIMPIEZA DE LA PARTE EXTERIOR

#### La puerta y la junta de la puerta

Limpie las juntas de la puerta de forma regular con un trapo húmedo suave para retirar los restos de alimentos. Al cargar el lavavajillas, los residuos de alimentos y bebidas pueden caer por los lados de la puerta del lavavajillas. Estas superficies están fuera de la zona de lavado y no se puede acceder a ellas mediante el agua de los brazos rociadores. Cualquier resto debe limpiarse antes de cerrar la puerta.

#### Panel de control

Si debe limpiar el panel de control, utilice solo un paño suave y húmedo.

#### **ADVERTENCIA:**

Para evitar que el agua penetre en la cerradura de la puerta y los componentes eléctricos, no utilice ningún tipo de limpiador en aerosol. Nunca use limpiadores abrasivos o estropajos en las superficies exteriores porque pueden rayar el acabado. Algunas servilletas de papel también pueden rayar o dejar marcas en la superficie.

### LIMPIEZA DE LA PARTE INTERIOR

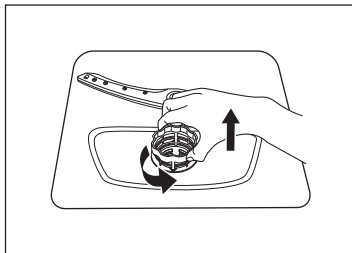
#### Sistema de filtrado

El sistema de filtrado en la base de la zona de lavado retiene los residuos gruesos del ciclo de lavado, incluidos los objetos extraños como palillos de dientes o fragmentos. Los residuos gruesos recogidos pueden hacer que los filtros se obstruyan. Compruebe el estado de los filtros con regularidad, retire con cuidado los objetos extraños y limpie las partes del sistema de filtrado si es necesario con agua. Siga los siguientes pasos para limpiar el filtro.

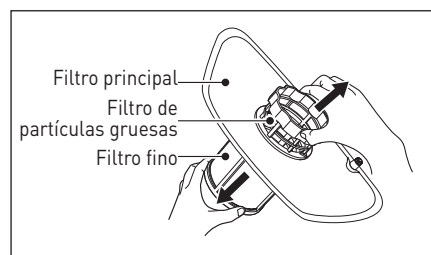
#### **ADVERTENCIA:**

Las imágenes son solo para referencia, los diferentes modelos del sistema de filtrado y los brazos rociadores pueden ser diferentes.

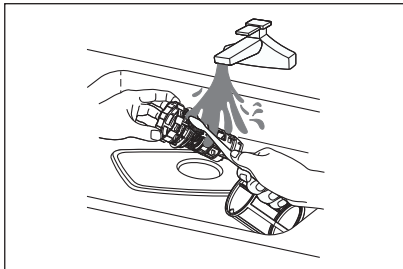
1. Sostenga el filtro grueso y gírelo en sentido antihorario para desbloquear el filtro. Levante el filtro y sáquelo del lavavajillas.



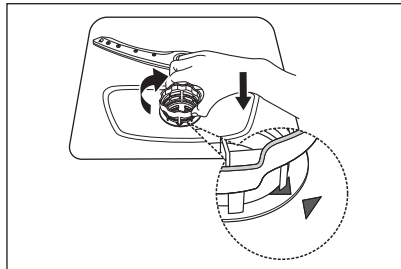
2. El filtro fino se puede extraer tirando de la parte inferior del conjunto del filtro. El filtro de partículas gruesas se puede separar del filtro principal apretando con suavidad las pestañas que hay en la parte superior y tirando hacia fuera.



3. Los restos de comida más grandes se pueden limpiar enjuagando el filtro con agua corriente. Para una limpieza más profunda, use un cepillo de limpieza suave.



4. Vuelva a ensamblar los filtros en el orden inverso, vuelva a colocar el cartucho del filtro y gírelo en el sentido de las agujas del reloj hasta llegar a la flecha.



### ADVERTENCIA:

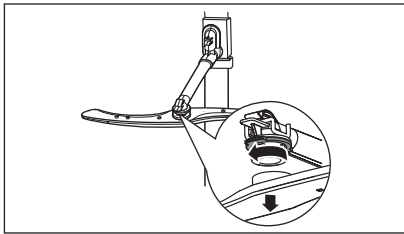
No apriete demasiado los filtros. Vuelva a colocar los filtros en el orden correcto; de lo contrario, podrían entrar residuos gruesos en el sistema y causar un bloqueo. Nunca use el lavavajillas sin los filtros colocados en su lugar. Si coloca los filtros de forma incorrecta, puede reducir el nivel de rendimiento del aparato y dañar platos y utensilios.

**BRAZOS ASPERSORES**

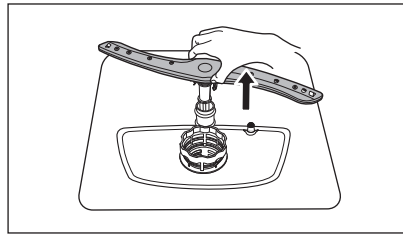
Es necesario limpiar el brazo aspersor con regularidad, ya que el agua dura obstruirá los chorros y cojinetes del mismo.

Para limpiar los brazos aspersores, siga las instrucciones siguientes:

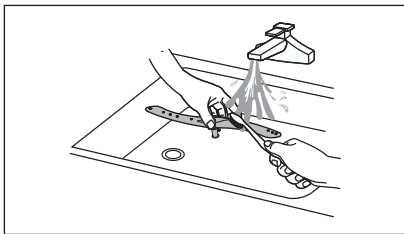
1. Para extraer el brazo aspersor superior, sujete la tuerca y gire el brazo en sentido horario para quitarlo.



2. Para extraer el brazo aspersor inferior, tire de él hacia arriba.



3. Lave los brazos con agua tibia y jabón y use un cepillo suave para limpiar los chorros. Vuelva a colocarlos en su lugar después de enjuagarlos bien.

**CUIDADO DEL LAVAVAJILLAS****Precaución contra la escarcha**

Tome las medidas de protección necesarias contra la escarcha en el lavavajillas en invierno. Después de cada ciclo de lavado, siga los siguientes pasos:

1. Corte la energía eléctrica del lavavajillas en la fuente de suministro.
2. Cierre el suministro de agua y desconecte la tubería de entrada de agua de la válvula de agua.
3. Drene el agua de la tubería de entrada y la válvula de agua. (Use una olla para recoger el agua)
4. Vuelva a conectar la tubería de entrada de agua a la válvula de agua.
5. Retire el filtro del fondo del aparato y utilice una esponja para absorber el agua del desagüe.

**DESPUÉS DE CADA LAVADO**

Después de cada lavado, cierre el suministro de agua al aparato y deje la puerta ligeramente abierta durante un tiempo para evitar que la humedad y los olores se queden en el interior.

**RETIRAR EL ENCHUFE**

Antes de limpiar o realizar el mantenimiento, quite siempre el enchufe de la toma de corriente.

**NO UTILICE DISOLVENTES NI DETERGENTES ABRASIVOS**

Para limpiar el exterior y las partes de goma del lavavajillas, no use disolventes ni productos de limpieza abrasivos. Utilice únicamente un paño con agua tibia y jabón.

Para quitar las manchas de la superficie del interior, utilice un paño humedecido con agua y un poco de vinagre, o un producto de limpieza elaborado específicamente para lavavajillas.

**CUANDO NO VAYA A UTILIZAR EL APARATO DURANTE UN LARGO PERIODO DE TIEMPO**

Se recomienda ejecutar un ciclo de lavado con el lavavajillas vacío y luego retirar el enchufe de la toma de corriente, cerrar el suministro de agua y dejar la puerta del aparato ligeramente abierta. Esto ayudará a que las juntas de la puerta duren más tiempo y evitará que se formen olores dentro del aparato.

**MOVER EL APARATO**

Si es necesario mover el aparato, intente mantenerlo en posición vertical. Si es absolutamente necesario, se puede colocar boca arriba.

**JUNTAS**

Uno de los factores que hace que se formen olores en el lavavajillas es la comida que queda atrapada en las juntas. La limpieza periódica con una esponja húmeda evitará que esto ocurra.

## Solución de problemas

### Antes de llamar al servicio técnico

Consultar las tablas de las páginas siguientes puede evitar que tenga que llamar al servicio técnico.

Problema	Posible motivo	Solución
El lavavajillas no se enciende	• El fusible se ha quemado o el disyuntor ha saltado.	Cambie el fusible o reinicie el disyuntor. Retire cualquier otro aparato que comparta el mismo circuito con el lavavajillas.
	• La fuente de alimentación no está encendida.	Asegúrese de que el lavavajillas está encendido y de que la puerta está bien cerrada. Asegúrese de que el cable de alimentación está correctamente enchufado en la toma de corriente.
	• La presión del agua es baja.	Compruebe que el suministro de agua esté conectado correctamente y que se haya abierto el agua.
	• La puerta del lavavajillas no está bien cerrada.	Asegúrese de cerrar la puerta correctamente.
El lavavajillas no bombea el agua	• El tubo de evacuación está enredado o aplastado.	Compruebe el tubo de evacuación.
	• El filtro está obstruido.	Compruebe el sistema de filtrado.
	• El fregadero de la cocina está obstruido.	Revise el fregadero de la cocina para asegurarse de que está evacuando correctamente. Si el problema es que el fregadero de la cocina no evacúa, puede que tenga que llamar a un fontanero en lugar de un técnico de lavavajillas.
Hay espuma en el interior	• El detergente es incorrecto.	Utilice únicamente el detergente especial para lavavajillas para evitar la formación de espuma. Si esto sucediera, abra el lavavajillas y deje que la espuma se evapore. Añada 1 litro de agua fría al fondo del lavavajillas. Cierre la puerta del lavavajillas y luego seleccione cualquier ciclo. Al principio, el lavavajillas vaciará el agua. Abra la puerta cuando finalice la fase de vaciado y compruebe si la espuma ha desaparecido. Repita la operación si fuese necesario.
	• El líquido abrillantador se ha derramado.	Limpie los restos de abrillantador derramado inmediatamente.

Problema	Posible motivo	Solución
El interior del aparato está manchado	<ul style="list-style-type: none"> <li>• Es posible que se haya usado detergente con colorante.</li> </ul>	Asegúrese de que el detergente no tenga colorante.
Hay manchas de óxido en los cubiertos	<ul style="list-style-type: none"> <li>• Los cubiertos afectados no son resistentes a la corrosión.</li> <li>• No se ejecutó un programa después de agregar sal para lavavajillas. Han quedado trazas de sal en el ciclo de lavado.</li> <li>• La tapa del descalcificador está suelta.</li> </ul>	<p>Evite lavar artículos que no sean resistentes a la corrosión en el lavavajillas.</p> <p>Después de añadir sal, siempre debe realizar un programa de lavado sin vajilla. No seleccione la función Turbo (si la incluye), después de añadir sal para lavavajillas.</p> <p>Compruebe que la tapa del descalcificador esté bien cerrada.</p>
Se oyen golpes en el lavavajillas	<ul style="list-style-type: none"> <li>• El brazo aspersor golpea algún objeto de una cesta.</li> </ul>	Interrumpa el programa y reorganice los objetos que obstruyen el brazo aspersor.
Se oye ruido en el lavavajillas	<ul style="list-style-type: none"> <li>• Hay objetos de la vajilla sueltos en el lavavajillas.</li> </ul>	Interrumpa el programa y reorganice la vajilla.
Se oyen golpes en las tuberías de agua	<ul style="list-style-type: none"> <li>• Esto puede deberse a la instalación in situ o a la sección transversal de la tubería.</li> </ul>	Esto no influye en el funcionamiento del lavavajillas. En caso de duda, contacte con un fontanero cualificado.
Los platos no están limpios	<ul style="list-style-type: none"> <li>• Los platos no se introdujeron correctamente en las cestas.</li> <li>• El programa no es suficientemente intenso.</li> <li>• No se utilizó suficiente detergente.</li> <li>• Hay objetos que bloquean el movimiento de los brazos aspersores.</li> <li>• La combinación de filtro no está limpia o no se ha instalado correctamente en la base del aparato. Esto puede hacer que las boquillas de los brazos aspersores se bloqueen.</li> </ul>	<p>Consulte la sección «Preparación y carga de la vajilla».</p> <p>Seleccione un programa más intenso.</p> <p>Use más detergente o cambie el detergente.</p> <p>Reorganice los objetos para que el brazo pueda girar libremente.</p> <p>Limpie y/o coloque el filtro correctamente. Limpie las boquillas de los brazos aspersores.</p>

Problema	Posible motivo	Solución
La cristalería está blanquecina.	<ul style="list-style-type: none"> <li>Combinación de agua blanda y demasiado detergente.</li> </ul>	Use menos detergente si tiene agua blanda y seleccione un ciclo más corto para lavar la cristalería y dejarla limpia.
Hay manchas blancas en los platos y vasos.	<ul style="list-style-type: none"> <li>En las zonas de agua dura, se pueden producir depósitos de cal.</li> </ul>	Compruebe los ajustes del descalcificador o el nivel de llenado del compartimento de sal.
Hay marcas negras o grises en los platos	<ul style="list-style-type: none"> <li>Los utensilios de aluminio se han frotado contra la vajilla</li> </ul>	Utilice un limpiador abrasivo suave para eliminar esas marcas.
Se ha quedado detergente en el dosificador	<ul style="list-style-type: none"> <li>Los platos bloquean los compartimentos del dispensador de detergente</li> </ul>	Coloque de nuevo la vajilla correctamente.
La vajilla no se seca	<ul style="list-style-type: none"> <li>El aparato no se ha cargado correctamente</li> </ul>	Use guantes si hay residuos de detergente en los platos para no irritar la piel.
	<ul style="list-style-type: none"> <li>Los platos se han extraído demasiado pronto</li> </ul>	No vacíe el lavavajillas inmediatamente después del lavado. Abra la puerta ligeramente para que pueda salir el vapor. Saque la vajilla hasta que la temperatura interior sea segura para el tacto. Descargue primero la cesta inferior para evitar que caiga agua desde la cesta superior.
	<ul style="list-style-type: none"> <li>Se ha seleccionado un programa incorrecto.</li> </ul>	Con un programa corto, la temperatura de lavado es más baja, lo que reduce los resultados de la limpieza. Elija un programa con un tiempo de lavado prolongado.
	<ul style="list-style-type: none"> <li>Uso de cubiertos con revestimiento de baja calidad.</li> </ul>	La evacuación del agua es más difícil con estos objetos. Los cubiertos o platos de este tipo no son aptos para lavarlos en el lavavajillas.

**ADVERTENCIA:**

Si usted mismo o una persona no cualificada repara el lavavajillas, pueden causar serios riesgos para la seguridad del usuario del mismo y afectar la garantía.



**DISPONIBILIDAD DE LAS PIEZAS DE RECAMBIO**

- Siete años después de la puesta en el mercado de la última unidad del modelo:  
Motor, bomba de circulación y drenaje, calentadores y elementos calefactores, bombas de calor (por separado o agrupadas), tuberías y equipos relacionados, tubos, válvulas, filtros y topes, piezas estructurales e interiores relacionadas con las puertas (por separado o agrupadas), placas del circuito impreso, pantallas electrónicas, presostatos, termostatos y sensores, software y firmware, incluido el software de reinicio.
- Diez años después de la puesta en el mercado de la última unidad del modelo:  
Bisagras y juntas de puertas, otras juntas, brazos aspersores, filtros de drenaje, rejillas interiores y elementos exteriores de plástico como cestas y tapas.

**Códigos de error**

Si hay algún fallo, el lavavajillas mostrará un código de error. La siguiente tabla muestra los posibles códigos de error y sus causas.

Problema	Posible motivo	Solución
El indicador luminoso Rápido parpadea a gran velocidad	• Tiempo de entrada de agua muy largo.	Los grifos no están abiertos, la entrada de agua es limitada o la presión del agua es demasiado baja.
El indicador luminoso Rápido, 90 min parpadea a gran velocidad	• No se alcanza la temperatura requerida.	Mal funcionamiento del elemento calefactor.
El indicador luminoso ECO parpadea a gran velocidad	• Desbordamiento.	Algún elemento del lavavajillas provoca fugas.
El indicador luminoso Intensivo, ECO y Rápido	• Fallo en la comunicación entre la placa del circuito principal y la placa del circuito de visualización.	Circuito abierto o cableado roto para la comunicación.

**ADVERTENCIA:**

Si ocurre un desbordamiento, cierre el suministro principal de agua antes de llamar al servicio técnico. Si hay agua en la bandeja de la base debido a un desbordamiento o una pequeña fuga, retire el agua antes de reiniciar el lavavajillas. Si hay algún código de error que no puede resolver, solicite asistencia profesional.

## Contador de utilización

Debido a que este modelo no cuenta con pantalla de visualización, el número de ciclos se indicará utilizando los 4 LEDs, la presentación detallada es de la siguiente manera:

1. Cuando se conecta el cable de alimentación, pero el lavavajillas no está encendido y la puerta está cerrada, mantenga pulsado el botón de «Inicio» durante 5s, la pantalla del lavavajillas mostrará el contador de utilización;
2. El recuento se realizará desde unidades hasta secuencia de miles de la siguiente manera: El parpadeo rápido indica las unidades de ciclos, el parpadeo de 90 min indica 10 de los ciclos, el parpadeo ECO indica cientos de ciclos, el parpadeo Intensivo indica miles de ciclos;
3. Por ejemplo, 1234 ciclos se indicará como se muestra en la siguiente ilustración.

