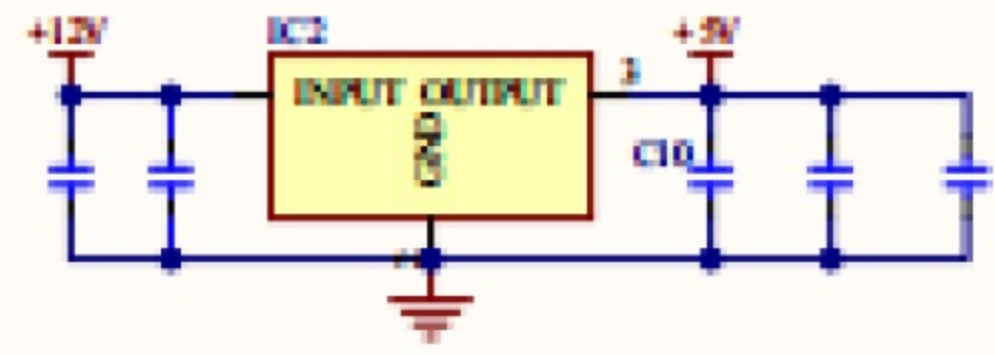
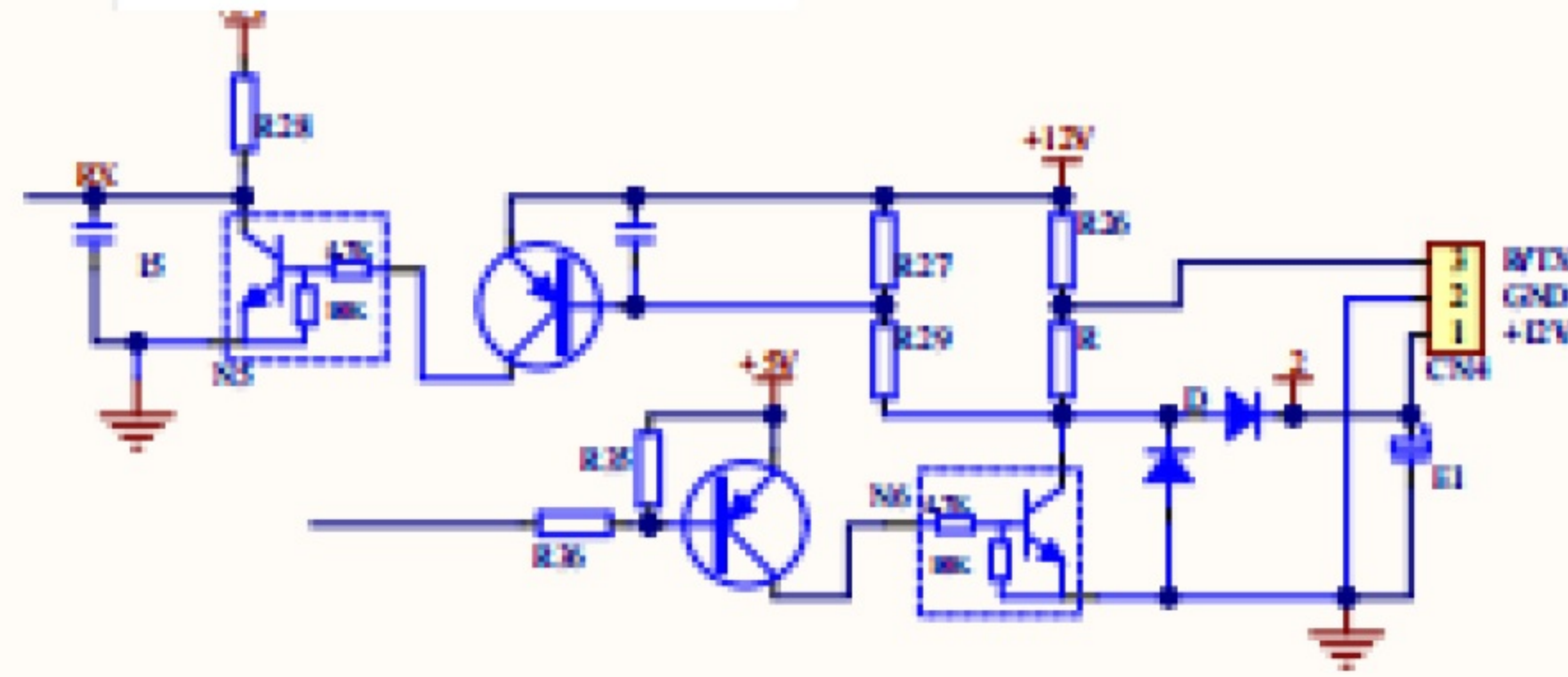


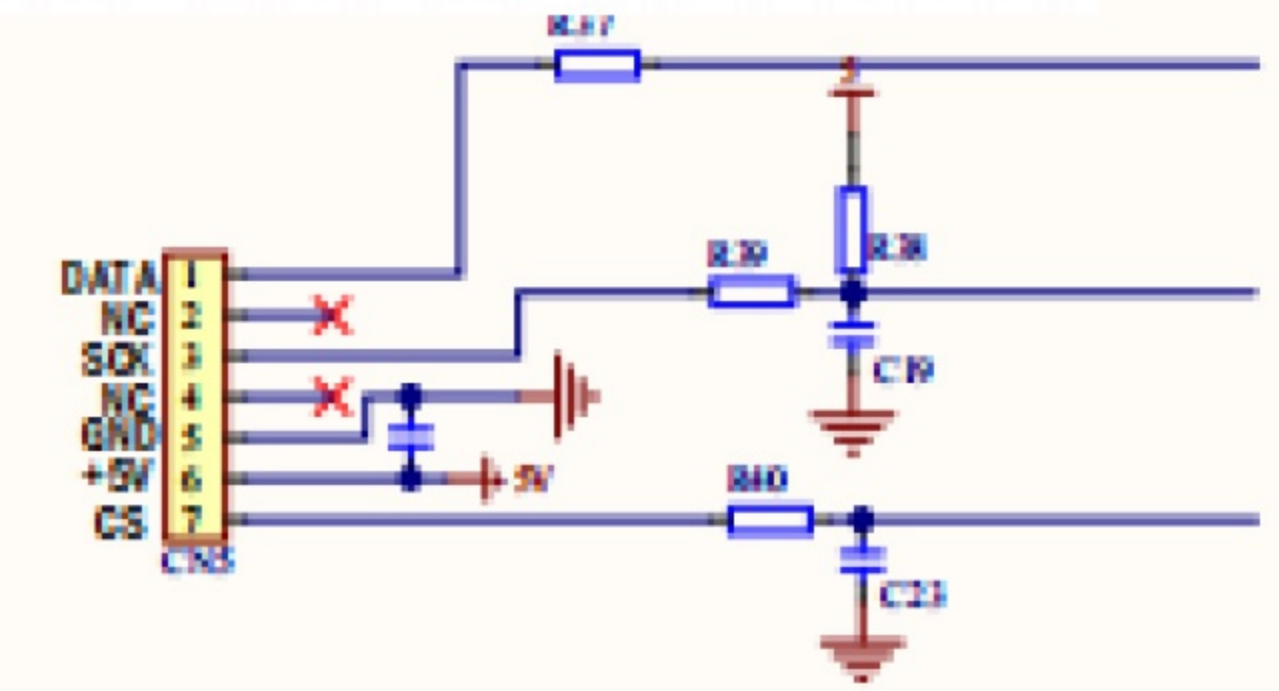
LDO power supply



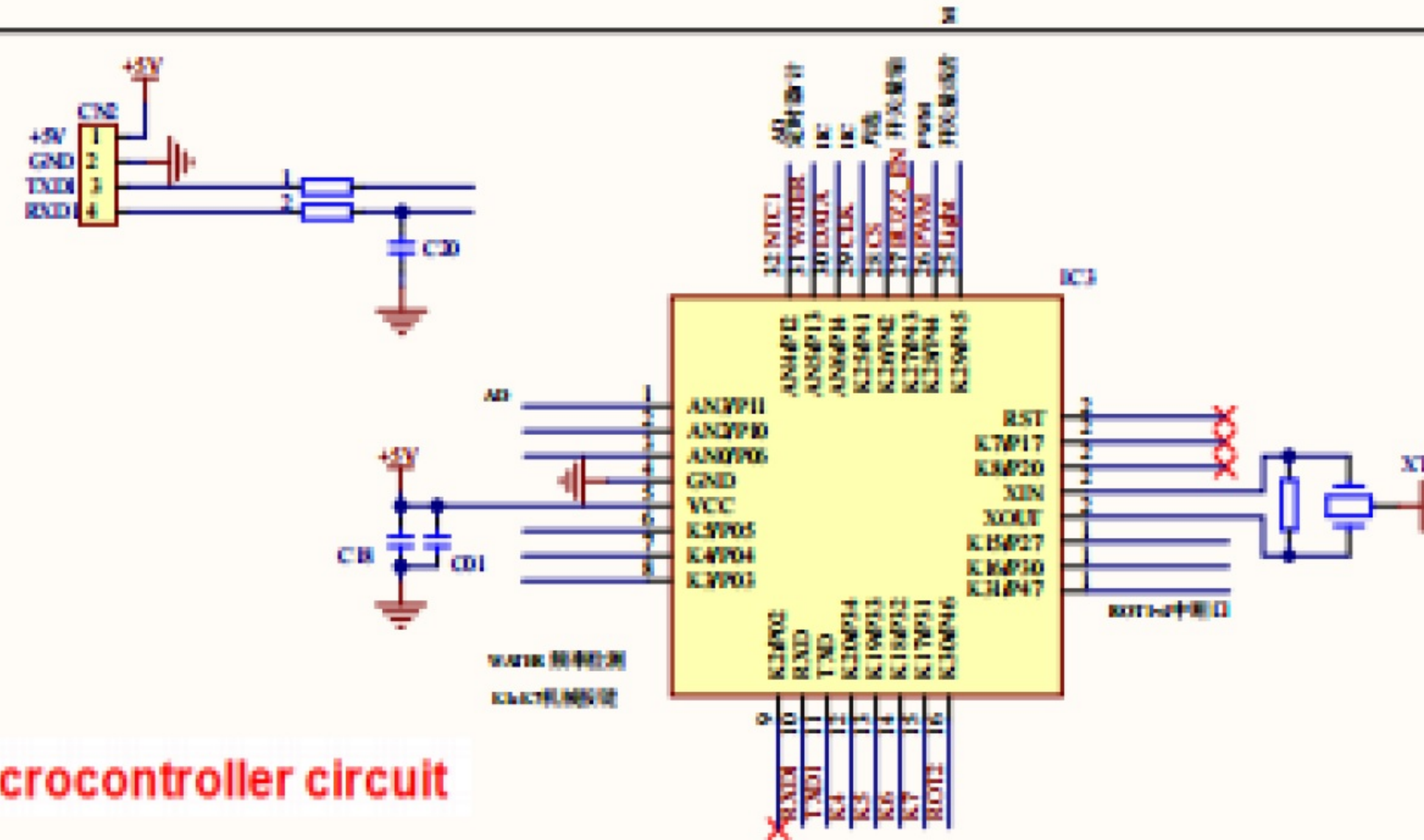
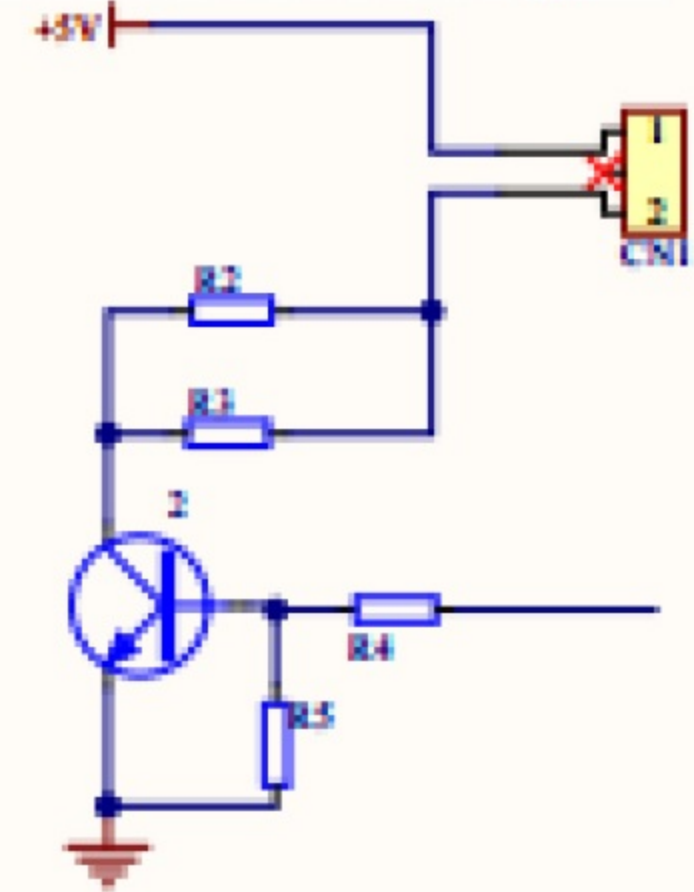
Power board circuit



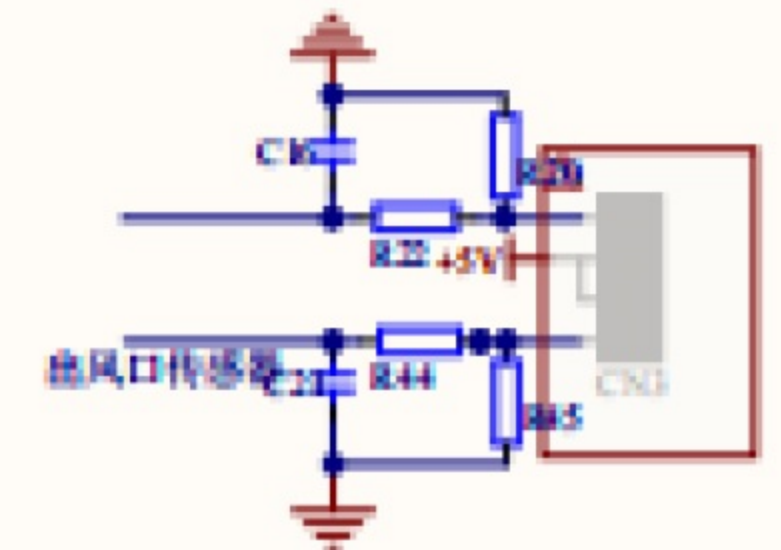
Digital tube display connection



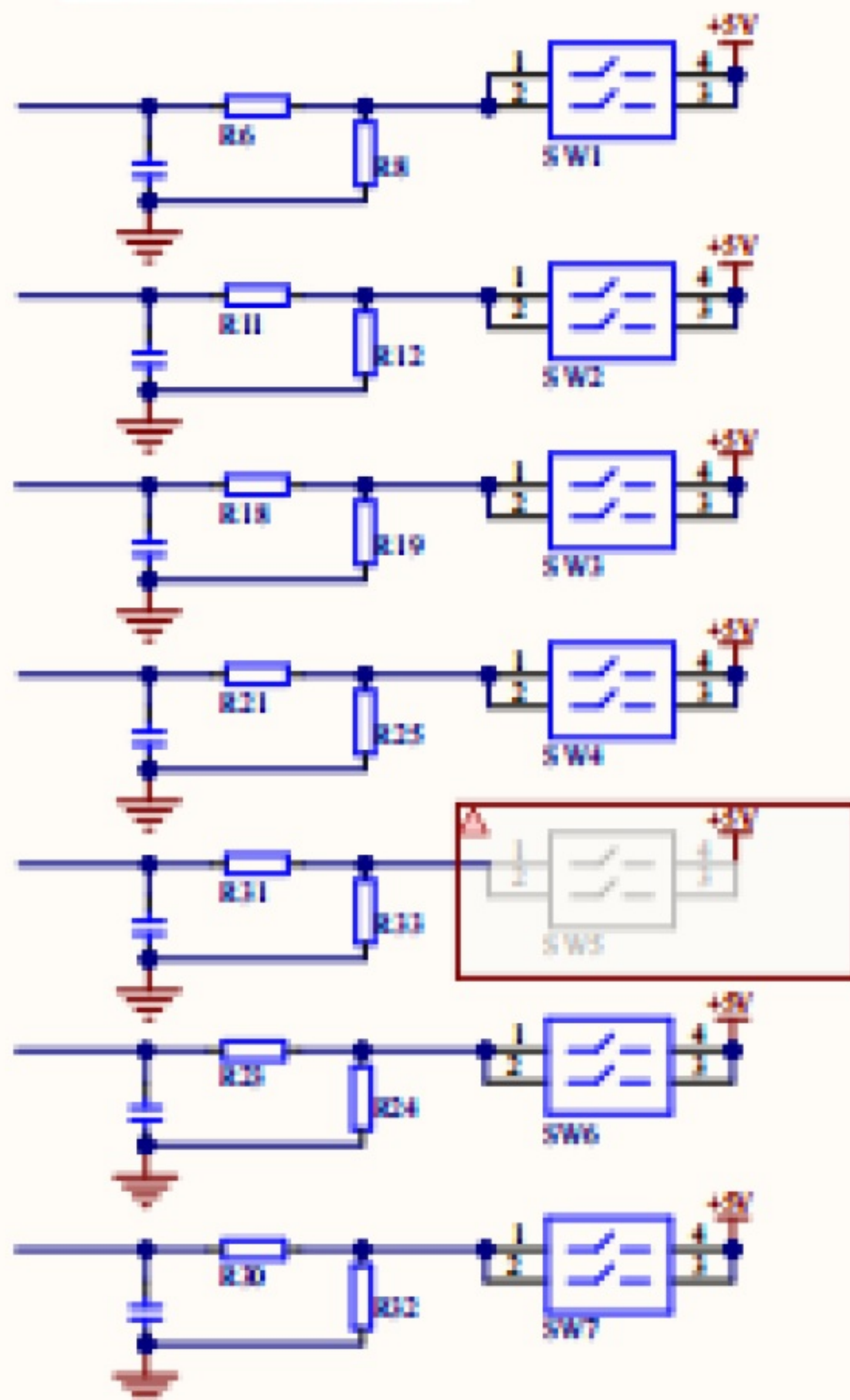
Reserved tube light



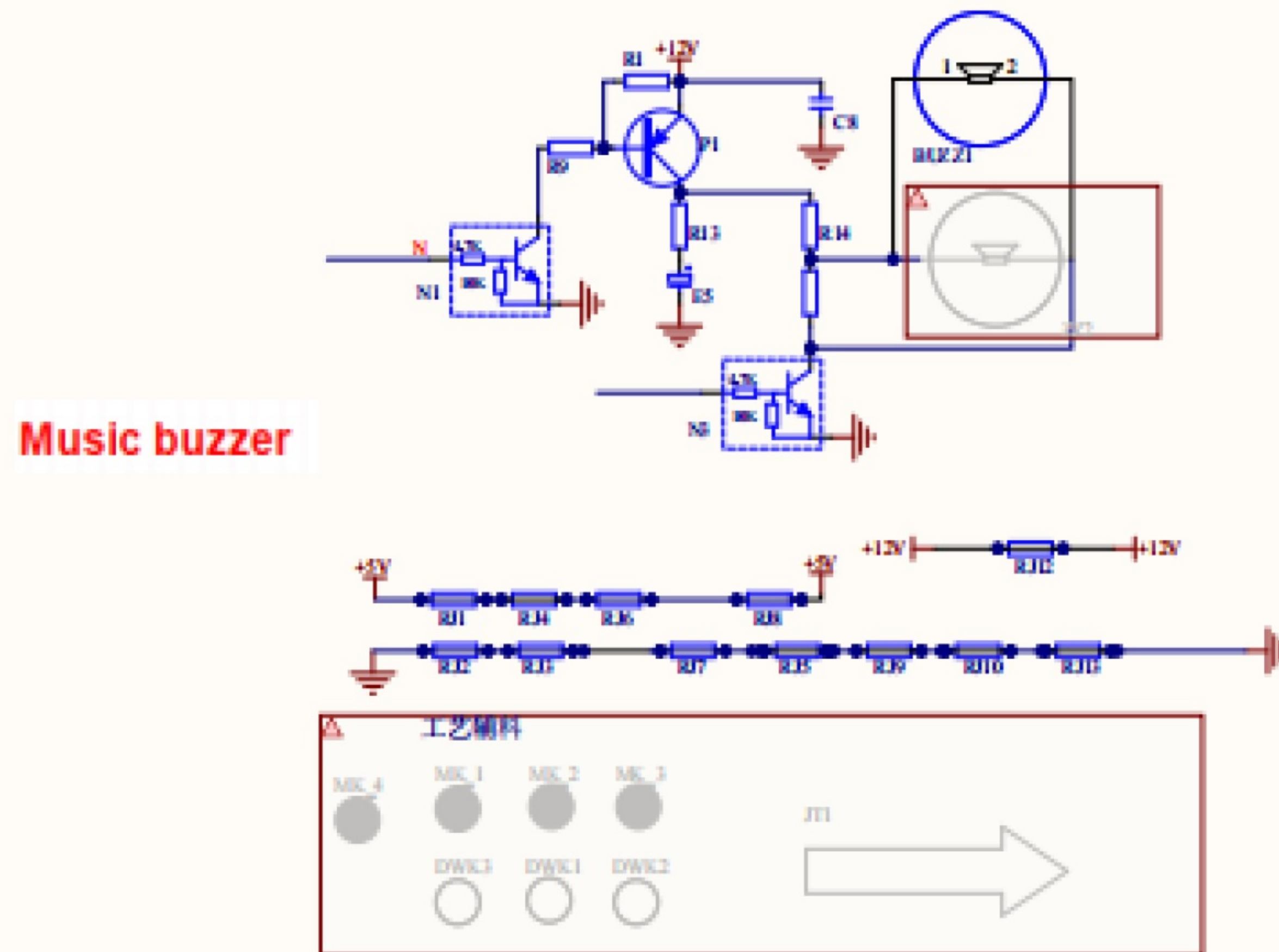
NTC



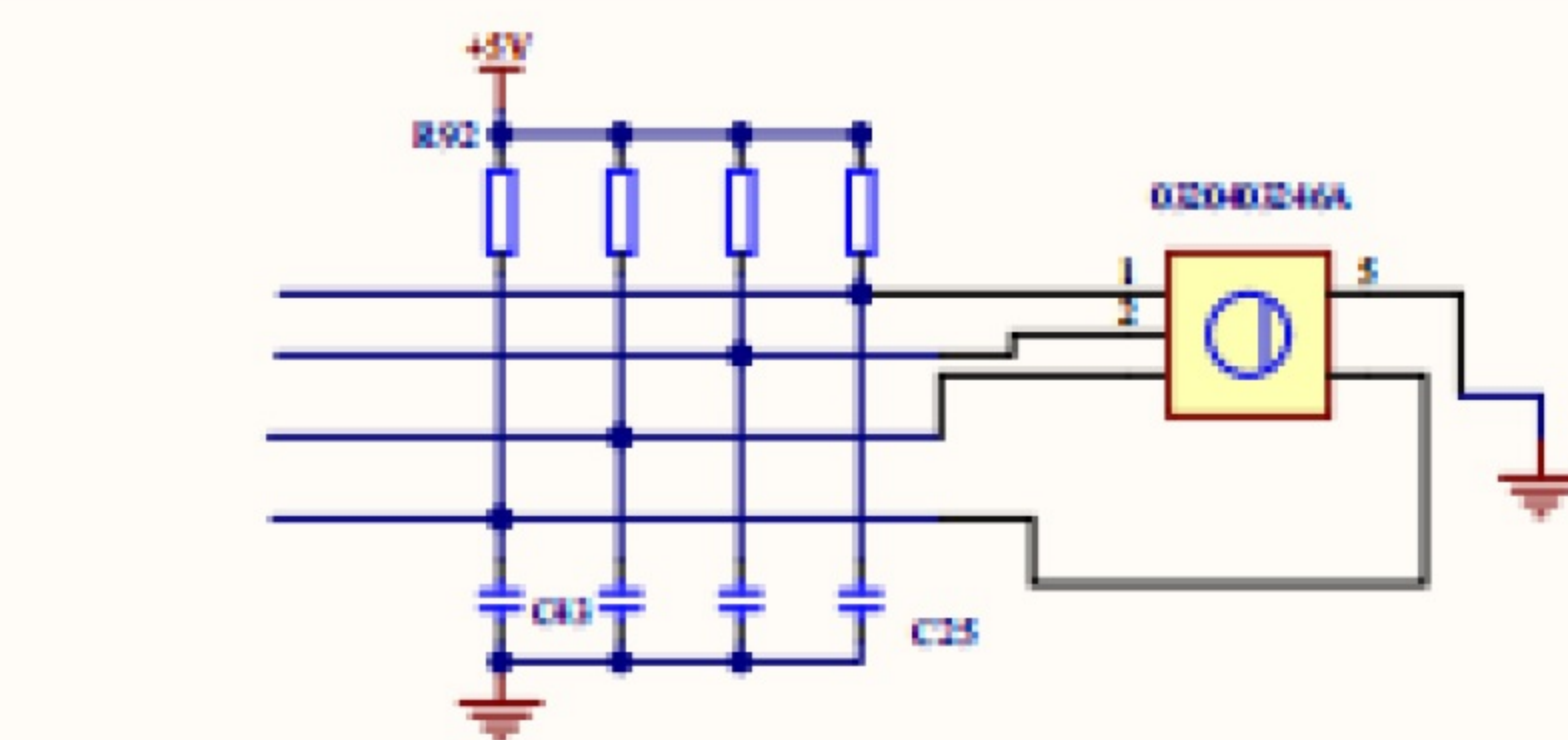
Button circuit



Microcontroller circuit



Water level circuit



Encoder Circuit

