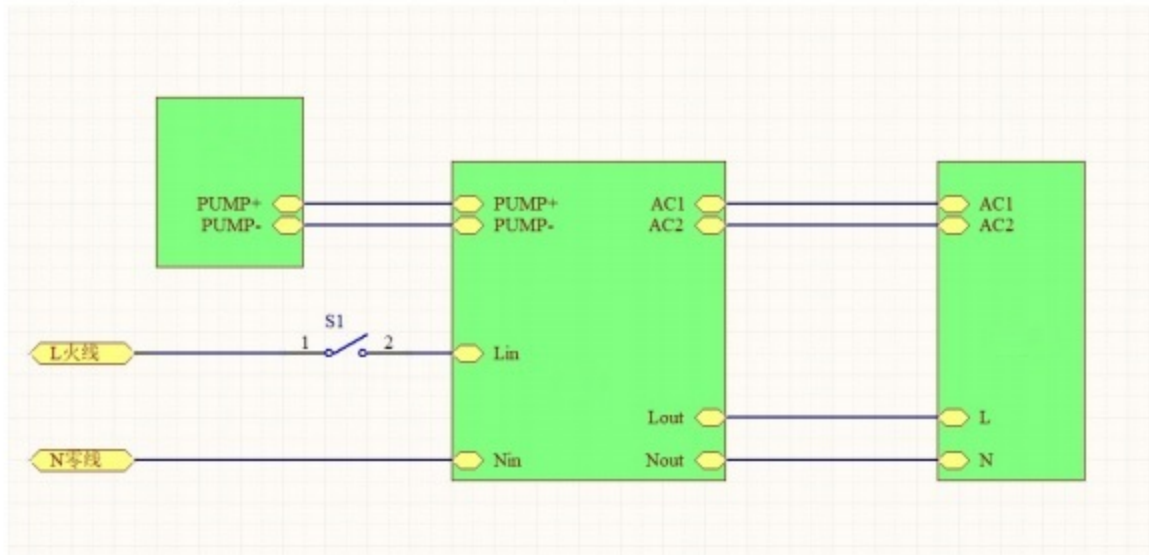


Description: Circuit diagram for W05-75



Description: Circuit diagram for W05-75

