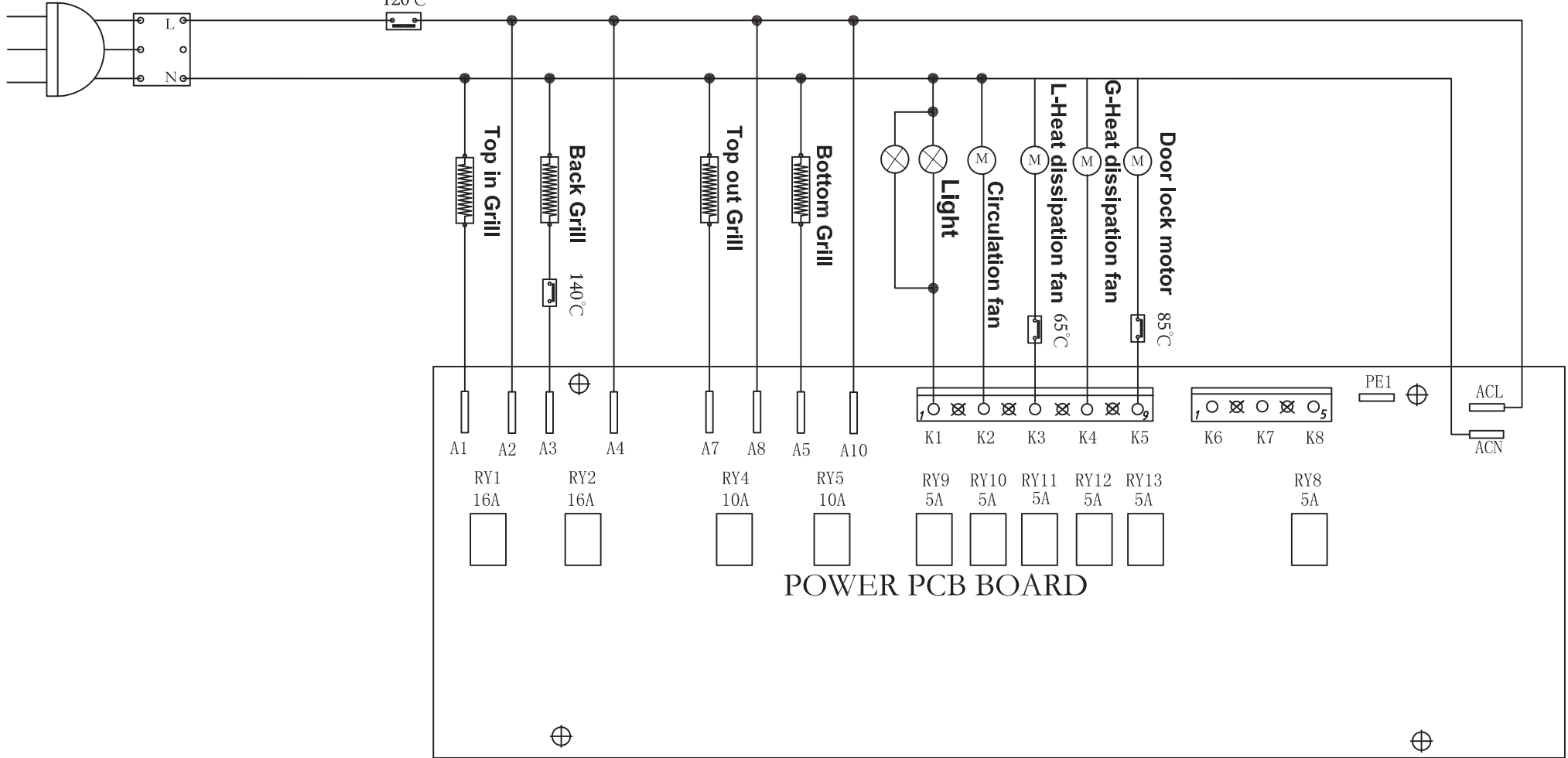


220-240V / 50-60Hz



POWER PCB BOARD