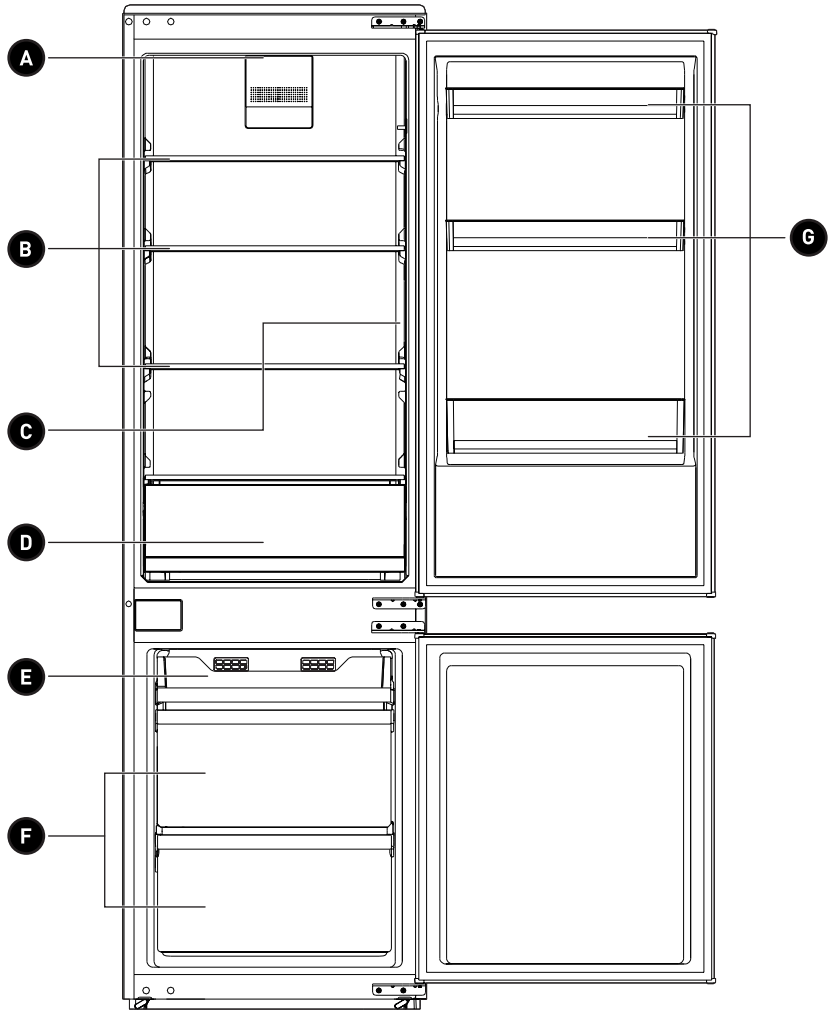


**Refrigerator-freezer
Réfrigérateur-congérateur
Koel-vriescombinatie
Frigorífico congelador**

990408 - BI CNF 248 E W625C

INSTRUCTIONS FOR USE02
CONSIGNES D'UTILISATION24
GEBRUIKSAANWIJZINGEN48
INSTRUCCIONES DE USO72





Thank you!

Thank you for choosing this VALBERG product. VALBERG products are chosen, tested, and recommended by ELECTRO DEPOT, so you can be sure you are getting a top-quality, easy-to-use product that won't let you down.

We're confident your new device will be a pleasure to use every day!

Welcome to ELECTRO DEPOT.



Table of Contents

A

Product overview

Parts

B

Product usage

Install instruction
Operation instructions

C

**Cleaning and
maintenance**

Cleaning and maintenance
Troubleshooting

Parts

- A** Led light
- B** Glass shelves in fridge
- C** Temperature-control panel
- D** Fruits and vegetables box
- E** Storage box
- F** Drawer
- G** Door tray

For the most efficient use of energy, please keep the all internal items such as trays, drawers, shelves and ice cube box on the position supplied by manufacturer.



ATTENTION

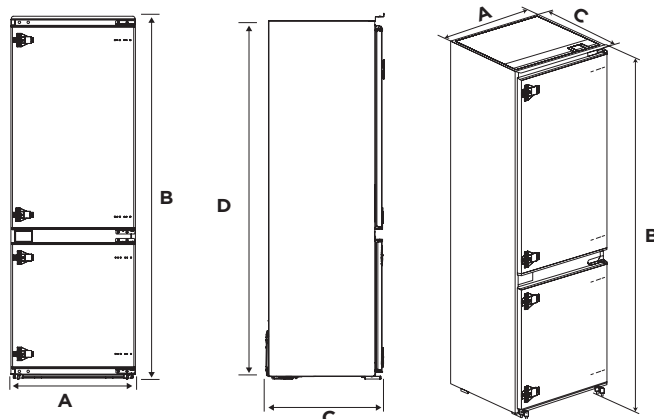
Differences: Due to technical changes and different models, some of the illustrations in this manual may differ from your model.

Install instruction

Before first use

- Remove the exterior and interior packing, wipe the outside thoroughly with a soft dry cloth and the inside with a wet, lukewarm cloth.
- Before connecting your refrigerator to the power supply, check that the voltage stated on the rating label of your appliance corresponds to the voltage in your home. A different voltage could damage the appliance.
- The appliance must be grounded. The manufacturer is not responsible for damages that may occur as a result of usage without grounding.

Space requirement diagram



A	B	C	D
540 mm	1785 mm	510 mm	1770 mm

Ambient Temperature

- Depending on the climate class, this refrigerator is intended to be used at an ambient temperature range as specified in the following table.
- The product may not operate properly at temperatures outside of the specific range.
- You can find the climate class on the product label.

Climate Class	Ambient Temperature
SN	+10 °C to +32 °C
N	+16 °C to +32 °C
ST	+16 °C to +38 °C
T	+16 °C to +43 °C

If you have any doubts regarding installation, please turn to the vendor, to our customer service or to the nearest Authorised Service Centre.



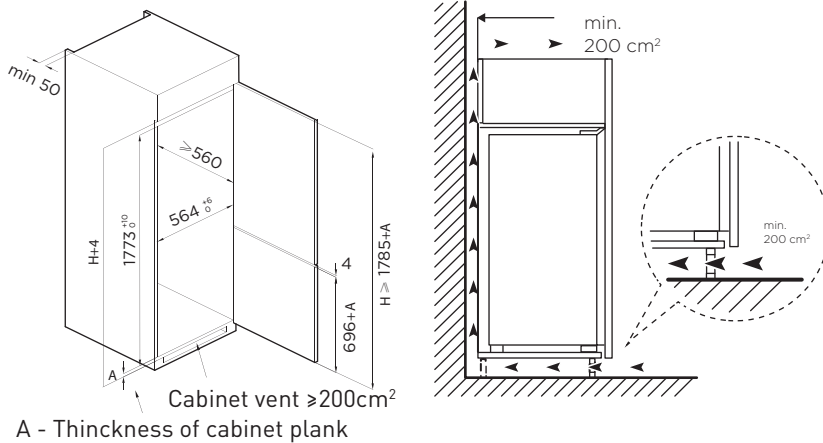
ATTENTION

The cooling performance and power consumption of the refrigerator may be affected by the ambient temperature, the door-opening frequency, and the location of the refrigerator. We recommend adjusting the temperature settings as appropriate.

Installation in cabinet

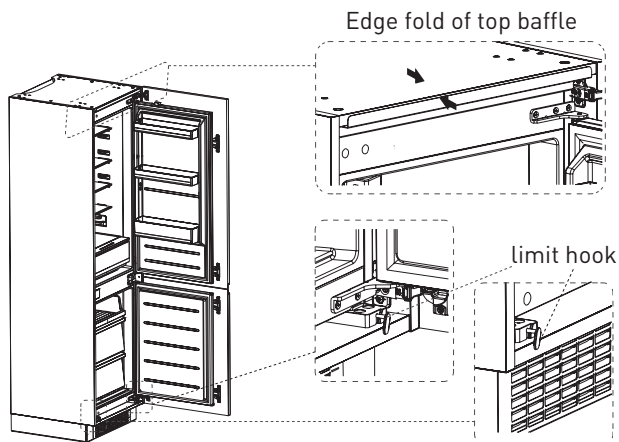
Steps:

1. Cabinet size requirement.

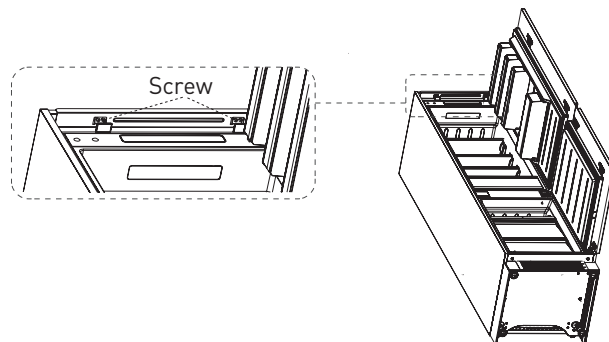


2. Push the refrigerator into the cabinet and adjust it to make sure the edgefold of top baffle completely touch the top edge of the cabinet, and the limit hook of supporting leg completely touch the bottom edge of the cabinet.

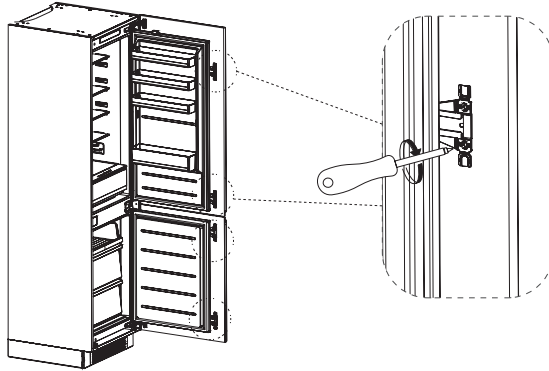
3. Fix the supporting leg with screws, then install the screw caps.



4. Fix the top baffle to the top of the cabinet inner with screws, then install the screw caps.



5. Open the lower door of cabinet the maximum angle, and open the lower door of the refrigerator to the corresponding position. Sliding the block to make sure inner edge align with the lower door edge of refrigerator, then fix the block to the door of cabinet with screw and install screw caps. Fix the upper refrigerator door to the cabinet door in the same way. Exchange the fixed position of the adjustable foot and the bottom hinge, then fix them again.



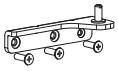
6. Take out the sealing strip from accessory bag, and press it in the gap between the cabinet and the refrigerator. Installation is completed.

**ATTENTION**

Precautions before installation: Information in the Instruction Manual is only for reference. The physical product may differ. Before installation and adjusting of accessories, it shall be ensured that the refrigerator is disconnected from power.

Doors reversal

Parts already mounted on the refrigerator (as shipped):



R: Bottom
hinge



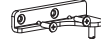
Hole cap



R: Upper
hinge



Fixed block



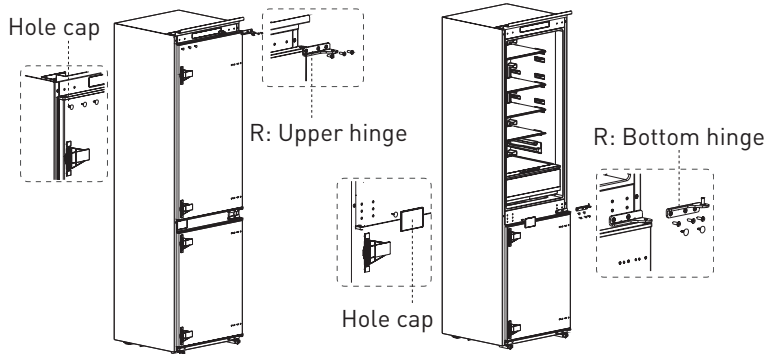
F: Upper
hinge



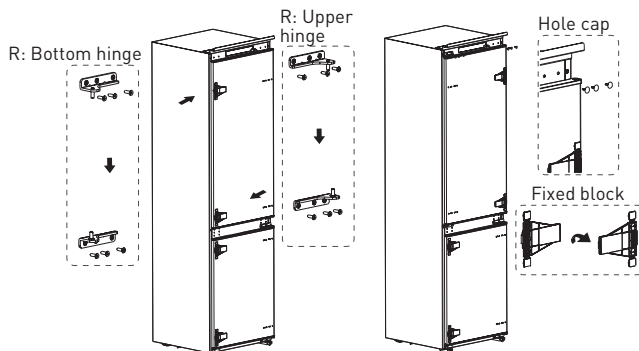
F: Bottom
hinge

Steps:

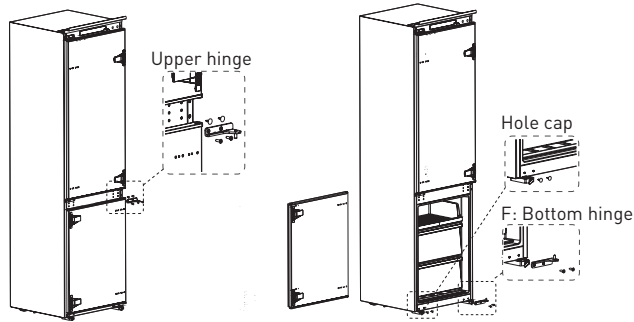
1. Power off the refrigerator, and remove all objects from the door trays.
2. Remove the upper hinge and hole caps of refrigerator door.
3. Remove the refrigerator door, the bottom hinge and the hole cover.



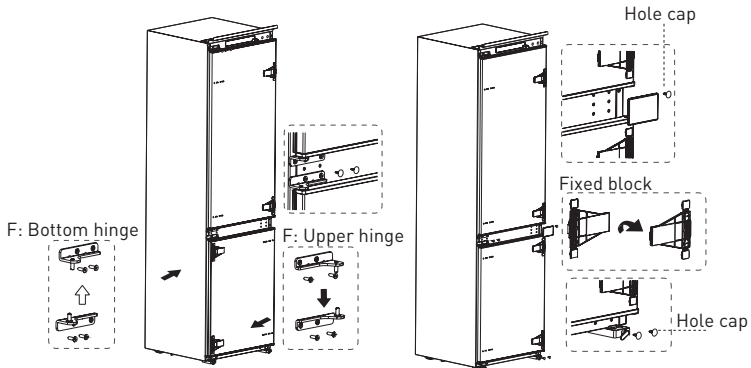
4. Exchange the R:bottom hinge and R:upper hinge ,then install them according to below steps, and install the top hole caps.
5. Remove the two fixed blocks of refrigerator door and rotate them for 180° and install them on other side of refrigerator door.



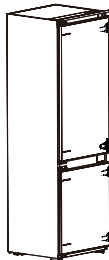
6. Remove the the upper hinge of freezer door and plug pin.
7. Remove the freezer door, the bottom hinge and the hole caps.



8. Exchange the F:bottom hinge and F:upper hinge ,then install them according to below steps, and install the top hole cover and lower hole caps.
9. Remove the two fixed blocks of freezer door and rotate them for 180° and install them on other side of freezer door.



10. The picture after completion is shown as below.



**ATTENTION**

Differences: Due to technical changes and different models, some of the illustrations in this manual may differ from your model.

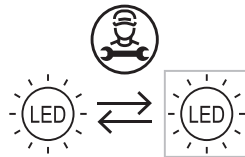
Moving the appliance

1. Remove all items from the appliance.
2. Pull the power plug out, insert and fix it into the power plug hook at the rear or on top of the appliance.
3. Tape parts such as shelves and the door to prevent from falling off while moving the appliance.
4. Move the appliance with more than two people carefully. When transporting the appliance over a long distance, keep the appliance upright.

Changing the light

Any replacement or maintenance of the LED lamps is intended to be made by the manufacturer, its service agent or similar qualified person.

- This product contains a light source of energy efficiency class (F).
- Light source in this product can only be replaced by qualified professionals.
- Please contact after-sales service if the light source fails.
- The light source shall be removed at the end of the product's useful life, with sorting and recycling done separately.

**ATTENTION**

After connecting the power supply cord (or plug) to the outlet, wait 2 or 3 hours before you put food into the appliance. If you add food before the appliance has cooled completely, your food may spoil.

Tips for energy saving

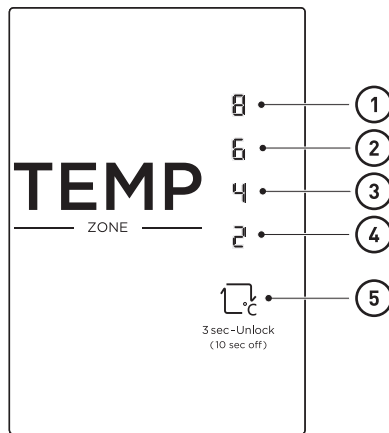
- Do not place the appliance near cookers, radiators or other heat sources. If the ambient temperature is high, the compressor will run more frequently and for longer, resulting in increased energy consumption.
- Ensure that there is sufficient ventilation at the base of the appliance, on the sides of the appliance and at the back of the appliance.
- Please also observe the spacing dimensions in the chapter "Installation".
- The arrangement of drawers, shelves and trays as shown in the product overview offers the most efficient use of energy and should be retained as far as possible.
- To obtain a larger storage space (e.g. for large refrigerated/frozen goods), the middle drawers and shelves can be removed. The top and bottom drawers and shelves should be removed last if necessary.

- An evenly filled refrigerator/freezer compartment contributes to optimal energy use.
- Allow warm food to cool before placing it in the refrigerator/freezer compartment. Food that has already cooled down increases energy efficiency.
- Allow frozen food to defrost in the refrigeration compartment. The coldness of the frozen food reduces the energy consumption in the refrigerator compartment and thus increases the energy efficiency.
- Open the door only as briefly as necessary to minimise cold loss. Opening the door briefly and closing it properly reduces energy consumption.
- Setting the temperature no colder than necessary contributes to optimal energy use.
- The door gaskets of your appliance must be perfectly intact so that the doors close properly and energy consumption is not increased unnecessarily.

Operation instructions

Use and functions

Feature panel



Display screen

- | | | | |
|---|----------------|---|----------------|
| ① | Setting 1: 8°C | ③ | Setting 3: 4°C |
| ② | Setting 2: 6°C | ④ | Setting 4: 2°C |

Key

- | | |
|---|--|
| ⑤ | Set key (Temperature setting button of refrigerator compartment) |
|---|--|

**ATTENTION**

The actual control panel may differ from model to model.

Display

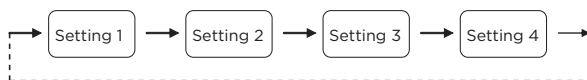
- Once initially power on, the display screen is on full display for 3s, and then the refrigerator runs according to setting 3.
- Normal operation display.
- In case of a failure, the corresponding LED blinks.
- In case of no failures, it shows the actual temperature setting of refrigerator.

Fault Code	Fault Description
Indicator setting 1	Refrigerator temperature sensor circuit
Indicator setting 2	Refrigerator defrost sensor
Indicator setting 3	Freezer defrost sensor
Indicator setting 4	Ambient temperature sensor

Temperature setting

Each time the temperature setting button " 5 " is pressed once, the temperature setting changes one time. After the temperature setting has been completed, the refrigerator will run according to the set value after 30s.

The shift regulation is:

**Recommended setting: Refrigerated chamber 4 °C.**

Thermostat setting for ambient T°C : NORMAL $\approx +24^{\circ}\text{C}$ ($\pm 4^{\circ}\text{C}$)	4°C
Thermostat setting for ambient T°C : COLD $\approx +16^{\circ}\text{C}$ ($\pm 4^{\circ}\text{C}$)	4°C
Thermostat setting for ambient T°C : HOT $\approx +32^{\circ}\text{C}$ ($\pm 4^{\circ}\text{C}$)	4°C

Super Freezing mode

Press the button " 5 " for 3s, then super freezing mode is on.

When press the button again, this mode will be quit. If no pushing in super freezing mode, it will be quit automatically in 20h.

Lock/Unlock

When the temperature control panel is in lock state, it needs to long press temperature setting key for 3 seconds for unlocking the panel, all LEDs will blink for 2 second when panel is unlocked.

When the temperature control panel is in unlock state, if there is no operation on control panel within 30 seconds, it will enter into lock state automatically.

Power off function

1. **Entry mode:** In the unlocking state, set the key SET for 10S (when the display and control of the refrigerator are all off, the SET button will take effect when the key is released). After 30S, the refrigerator will enter the power off function mode, all loads are turned off, and the display and control of the refrigerator will be all off in the power off mode.
2. **Exit method:** In power off mode, press the SET key to exit the power off mode and the refrigerator will return to normal control.

Storing food

Freezer compartment

- The freezer compartment is designated for the low-temperature freezing of food, long-term storage of frozen food, and for the production of ice cubes.
- Pay attention to the star classifications (4 star, 2 star and 1 star) in the freezer compartment and the resulting storage periods for frozen food.
- Do not put fresh and frozen food next to each other. The frozen food may thaw.
- When freezing large amounts of fresh food (such as meat, fish or chopped meat), please divide them into several small pieces before putting in, so that they can be quickly frozen and pick up easily.
- Abide by the storage times recommended by food manufacturers on the packages, there is no information on the packaging, food should not be stored frozen for longer than three months from the date of purchase.
- When purchasing frozen food, make sure that it was frozen at a suitable temperature and that the packaging is not damaged.
- Frozen food should be kept in suitable individual packages to ensure that adjacent food cannot be contaminated. Consume thawed and defrosted foods immediately, do not refreeze them.
- In case of prolonged power failure or malfunction of the appliance, remove the stored frozen food and check whether they are still edible, then store them in a sufficiently cool place or in another appliance.
- To defrost food, remove it from the freezer and let it defrost at room temperature or in the refrigerator. To defrost food quickly, you can use the defrost function on your microwave, for example.
- If you only want to defrost part of a pack, remove the portion you need and immediately close the rest of the pack. In this way, you will avoid "freezer burn" and will reduce ice formation on the remaining foods.

Cooling compartment

- To reduce moisture and subsequent ice build-up, never put liquid into the fridge compartment in unsealed containers. Frost tends to concentrate in the coolest parts of the evaporator. Storing uncovered liquids results in a more frequent need for defrosting.
- Never put warm foods in the fridge compartment. These should first cool down at room temperature and then be placed so as to ensure adequate air circulation in the fridge compartment.
- Foods or food containers should not touch the back wall of the fridge because they could freeze to the wall. Do not keep regularly opening the door of the refrigerator.
- Meat and clean fish (packed in a package or plastic foil) can be placed in the fridge compartment, which can be used in 1–2 days.

- Fruit and vegetables without packaging can be placed in the part designated for fresh fruit and vegetables.

**ATTENTION**

Storage of too much food during operation after the initial connection to power may adversely affect the freezing effect of the refrigerator.

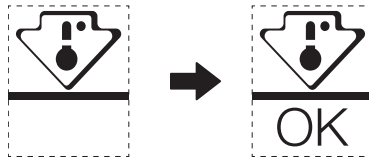
Storage times and temperature

Note: Overlong storage or storage at inappropriate freezing temperature may cause a quality loss or spoiled foods, which causes food waste, is inedible and may cause food poisoning. The minimum temperature in most cases should be -18°C or colder. Follow the maximum recommended storage times below:

- Stew, ice cream, sausages, bread: 2-6 months.
- Fish, shrimp, lamb, meat: 4-8 months.
- Vegetables, fruits, poultry, beef: 6-12 months.

Coldest zone in the refrigeratorOPTIONAL: OK-temperature indicator

- The OK-temperature indicator can be used to determine temperatures below $+4^{\circ}\text{C}$. Gradually reduce the temperature if the sign does not indicate "OK".



- To ensure the temperature in this area, do not change the positioning of the shelf. In forced air refrigerators (equipped with a fan or No Frost models), the symbol of the coldest zone is not represented because the temperature inside is homogeneous.

Temperature indicator setting

- To help you set your refrigerator well, it is equipped with a temperature indicator that will monitor the average temperature in the coldest zone.

**ATTENTION**

This indicator is intended to work only with your refrigerator, do not use it in another refrigerator (in fact, the coldest zone is not the same), or for any other use.

Checking the temperature in the coldest zone

- With the temperature indicator, you can check regularly that the temperature of the coldest zone is correct. Indeed, the internal temperature of the refrigerator depends on several factors such as the ambient temperature of the room, the amount of food stored and the frequency of door opening. Take these factors into consideration when setting the device.

- When the indicator shows « OK », this means that your thermostat is well adjusted and the internal temperature correct.
- If the indicator of temperature turns WHITE, this means that the temperature is too high; in this case, increase the refrigerator temperature control setting and wait for 12 hours before performing a new visual inspection of the indicator. When fresh food has been introduced or the door has been left open, it is possible for the indicator of temperature to turn WHITE after a while.

Cleaning and maintenance



CAUTION!

Do not rinse directly with water or other liquids during cleaning to avoid short circuits or affect electrical insulation after immersion.



ATTENTION

The appliance shall run continuously once it is started. Generally, the operation of the appliance shall not be interrupted; otherwise the service life may be impaired

- Disconnect the appliance from the electrical supply before undertaking any routine maintenance. Allow at least 5 minutes before restarting the appliance, as frequent starting may damage the compressor.
- Hold the plug, not the cable, when unplugging the appliance.
- Do not scrape off frost and ice with sharp objects. Do not use sprays, electric heaters like heater, hair dryer, steam cleaners or other sources of heat in order to avoid damage to the plastic parts.
- Eliminate the dust on the back of the unit at least once in the year to avoid hazard by fire, as well as increased energy consumption.
- Check the door gasket regularly to make sure there are no debris. Clean the door gasket with a soft cloth dampened with soapy water or diluted detergent.
- The interior of the product should be cleaned regularly to avoid odor.

- Use a soft cloth or sponge to clean the inside of the product, with two tablespoons of baking soda and a quart of warm water. Then rinse with water and wipe clean. After cleaning, open the door and let it dry naturally before turning on the power.
- For areas that are difficult to clean in the product (such as narrow sandwiches, gaps or corners), it is recommended to wipe them regularly with a soft rag, soft brush, etc. and when necessary, combined with some auxiliary tools (such as thin sticks) to ensure no contaminants or bacterial accumulation in these areas.
- Do not use soap, detergent, scrub powder, spray cleaner, etc., as these may cause odors in the interior of the product or contaminated food.
- Wipe the outer surface of the product with a soft cloth dampened with soapy water, detergent, etc., and then wipe dry.
- Do not use hard brushes, clean steel balls, wire brushes, abrasives (such as toothpastes), organic solvents (such as alcohol, acetone, banana oil, etc.), boiling water, acid or alkaline items, which may damage the fridge surface and interior. Boiling water and organic solvents such as benzene may deform or damage plastic parts.

Defrosting

Although this appliance automatically defrosts, a layer of frost may occur on the freezer compartment's interior walls if the freezer door is opened frequently or kept open too long. If the frost is too thick, choose a time when the supply of food stocks are low and proceed as follows:

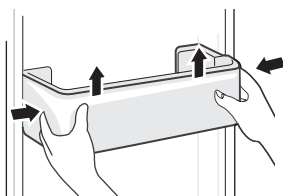
1. Remove existing food and accessories baskets, unplug the appliance from the mains power and leave the doors open. Ventilate the room thoroughly to accelerate the thawing process.
2. When defrosting is completed, clean your freezer as described above.



CAUTION! Don't use sharp objects to remove frost from the freezer. Only after the interior completely dry should the appliance be switched back on and plugged back into the mains socket.

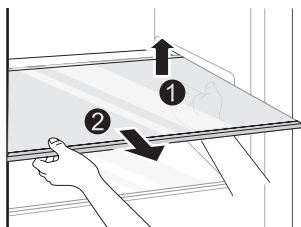
Cleaning of door tray

- According to the direction arrow in the figure below, use both hands to squeeze the tray, and push it upward, then you can take it out.
- After washing the tray having been taken out, you can adjust its installing height in accordance with your requirement.



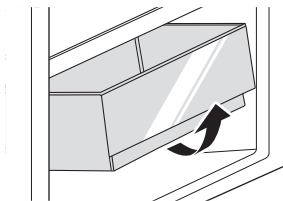
Cleaning of glass shelf

- As the innermost part of the refrigerator liner where contacting the shelves has a backstop, you shall raise the shelves upward, then you can be able to take it out.
- Adjust or clean the shelves according to your requirement.



Cleaning the vegetable drawer

- Remove the contents of the drawer. Hold the handle of the vegetable drawer and pull it out completely until it stops.
- Lift the vegetable drawer up and remove it by pulling it out.

**ATTENTION**

Differences: Due to technical changes and different models, some of the illustrations in this manual may differ from your model.

Troubleshooting

The following simple issues can be handled by the user. Please call the after-sale service department if the issues are not solved.

Problem	Possible Causes	Solution
Not operate	<ul style="list-style-type: none"> The power supply is not turned on and the plug is not firmly inserted. Low voltage, power failure or part of the circuit tripped. 	<ul style="list-style-type: none"> Insert the power cord plug firmly. Check the power supply at home.
Light not on	<ul style="list-style-type: none"> The appliance is not powered on. The light is broken. 	<ul style="list-style-type: none"> Unplug and re-plug the power cord. Replace the light with a new one.
Fruits or vegetables are frozen	<ul style="list-style-type: none"> Has the food been placed at the back of the fridge? The area near the back wall is where the temperatures are coldest. Fruits or vegetables are stored in the Fresh/Chill zone. 	<ul style="list-style-type: none"> Not placing food which may freeze easily at the back of the fridge compartment. The Fresh/Chill zone is only for meat/fish.
Fridge/freezer is overcooling	<ul style="list-style-type: none"> Temperature control is not set correctly. 	<ul style="list-style-type: none"> Set the temperature higher.

Problem	Possible Causes	Solution
Compressor working for a long time	<ul style="list-style-type: none"> • High ambient temperature causing long working time. • Putting too much food in at one time. • Food is put in before it has cooled down. • Opening the door too often. • The frost layer inside is too thick. 	<ul style="list-style-type: none"> • This is normal. • Do not put too much food in at one time. • Wait until the food has cooled down before putting it in. • Do not open the door too often. • Need to defrost.
Door does not close properly	<ul style="list-style-type: none"> • Door is stuck with objects. • Too much food in. • Door gasket deformed. 	<ul style="list-style-type: none"> • Do not put in too much food. • Place the appliance stably. • Heat the door gasket, then cool it for restoration (with an electrical drier or hot water for heating).
Outer wall is hot	<ul style="list-style-type: none"> • When the appliance is operating, heat is dissipated to the outside through the metal tubes inside the cabinet. • Higher ambient temperatures in the summer cause the temperature of the outer wall to rise. 	<ul style="list-style-type: none"> • Higher temperature on the outer wall is normal. • Increase the heat dissipation space, or put the appliance in a ventilated and cool place.
Cross or vertical beams are hot	<ul style="list-style-type: none"> • There are metal tubes inside the beams, and the heat released from the tubes prevents condensation. 	<ul style="list-style-type: none"> • This is normal.
Odors	<ul style="list-style-type: none"> • Spoiled food • Food with strong odors • The interior compartment is dirty. 	<ul style="list-style-type: none"> • Clean and remove any spoiled food. • Make sure strong smelling food is wrapped airtight. • Clean the interior compartment.

Problem	Possible Causes	Solution
The actual temperature differs from the set temperature	<ul style="list-style-type: none"> • When warm food is put in, the temperature will rise temporarily. • After setting a new temperature, it will take some time for the temperature in the compartment to reach the set temperature when the door is not opened. • After the temperature stability, the actual temperatures at different locations within the compartment are different, with a deviation of about $\pm 3^{\circ}\text{C}$. 	<ul style="list-style-type: none"> • This is normal. • Wait for some time before testing the actual temperature.
Condensation forms on the outside	<ul style="list-style-type: none"> • Condensation may form when the humidity in the room is high. 	<ul style="list-style-type: none"> • This is normal. Wipe off the condensation using a dry cloth.
Condensation forms inside the fridge and drawers	<ul style="list-style-type: none"> • The fridge maintains a high humidity to keep vegetables and other food items fresh. • Humidity is too high in the room and doors have been opened frequently. • The door gasket are not tight. 	<ul style="list-style-type: none"> • Wipe off the condensation using a dry cloth. • Do not open doors as frequently or do not keep them open too long. • Check the door gasket, clean or correct position.
Frost around the vents	<ul style="list-style-type: none"> • Door is not closed properly. • The door gasket are not tight. 	<ul style="list-style-type: none"> • Make sure food does not block the door. • Check the door gasket, clean or correct position.
Hard to open the door	<ul style="list-style-type: none"> • The difference in air pressure between the inside and outside of the compartment may sometimes make it hard to open the freezer door. 	<ul style="list-style-type: none"> • Wait a few moments, and then try to open the door slowly.

Problem	Possible Causes	Solution
Not making ice cubes (Only models with ice maker)	<ul style="list-style-type: none"> • The ice making function not turned on. • The appliance is not being supplied with water. • The water pipe has kinks in it. • The water pipe connection is installed incorrectly. • Water pressure is too low. 	<ul style="list-style-type: none"> • Switch on the ice maker. • Check whether the water supply is on. • Straighten out the kinks. • Check the water connection. • Check the pressure of the water supply, or whether the filter is clogged.

Certain sounds can be heard during normal use of the refrigerator, which do not affect its correct operation.

Sounds, which can be easily prevented:

- Noise caused by the appliance which is not level - adjust the position with the adjustable turn-in front feet. Alternatively, place pads made of soft material under the rear rollers, especially when the appliance is placed on tiles.
- Touching the adjacent piece of furniture - move the refrigerator away.
- Creaking of the drawers or shelves - take out and put back the drawer or shelf.
- Sounds of clinking bottles - move bottles apart.

Sounds heard during normal use are mainly due to operation of the compressor (switching on) and cooling, system (thermal expansion and contraction of the radiator caused by flow of the cooling agent).

Merci !

Merci d'avoir choisi ce produit VALBERG.
Choisis, testés et recommandés par ELECTRO DEPOT,
les produits de la marque VALBERG vous assurent
une utilisation simple, une performance fiable et
une qualité irréprochable.
Grâce à cet appareil, vous savez que chaque utilisation
vous apportera satisfaction.

Bienvenue chez ELECTRO DEPOT.

Visitez notre site Internet : www.electrodepot.fr
www.electrodepot.be

VOTRE AVIS COMPTE !



**PARTAGEZ
VOTRE EXPERIENCE
SUR LES PRODUITS**

Parce que votre satisfaction est notre priorité, nous vous proposons
de donner votre avis sur ce produit. Il sera transmis et analysé par
nos équipes afin d'améliorer continuellement le produit.

Donnez votre avis sur <http://www.electrodepot.fr/avis-client>



ELECTRO DEPOT

24

FR

Table des matières

A

Aperçu de l'appareil

Pièces

B

**Utilisation de
l'appareil**

Instructions d'installation
Consignes d'utilisation

C

**Nettoyage et
entretien**

Nettoyage et entretien
Guide de dépannage

Les notices sont aussi disponibles sur le site
<http://www.electrodepot.fr/sav/notices/>
<http://www.electrodepot.be/fr/sav/notices>

Pièces

- A** Lumière LED
- B** Clayettes en verre du réfrigérateur
- C** Panneau de réglage de la température
- D** Bac à fruits et légumes
- E** Bac de rangement
- F** Tiroir
- G** Balconnet de porte

Pour une utilisation de l'énergie la plus efficace possible, gardez tous les éléments internes, tels que les bacs, les tiroirs, les clayettes et le bac à glaçons, dans la même position qu'à la sortie de l'usine.



ATTENTION

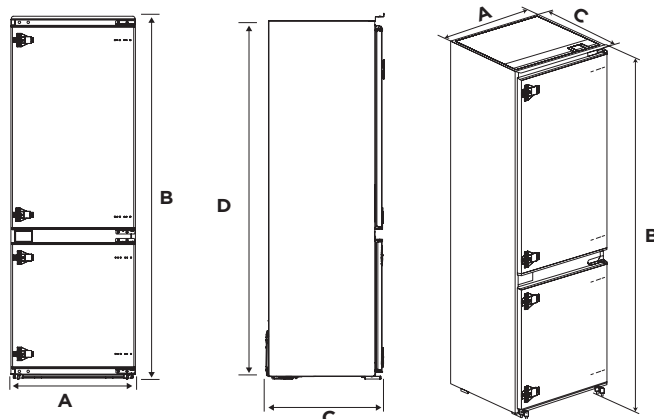
Différences : En raison de changements techniques et de modèles différents, certaines des illustrations de ce mode d'emploi peuvent différer de votre modèle.

Instructions d'installation

Avant la première utilisation

- Retirez l'emballage extérieur et intérieur, puis essuyez soigneusement l'extérieur à l'aide d'un chiffon doux sec et l'intérieur avec un chiffon humidifié avec de l'eau tiède.
- Avant de brancher le réfrigérateur à la prise de courant, vérifiez que la tension indiquée sur la plaque signalétique de l'appareil correspond à la tension de votre réseau. Une différence de tension pourrait endommager l'appareil.
- Cet appareil doit être mis à la terre. Le fabricant ne peut pas être tenu responsable des dommages potentiels résultant d'une utilisation d'un appareil non mis à la terre.

Schéma de l'espace requis



A	B	C	D
540 mm	1 785 mm	510 mm	1 770 mm

Température ambiante

- Selon sa classe climatique, ce réfrigérateur est destiné à une utilisation à une plage de température ambiante telle que spécifiée dans le tableau qui suit.
- Ce produit pourrait ne pas fonctionner correctement à des températures en dehors de la plage spécifiée.
- Vous pouvez trouver la classe climatique sur l'étiquette du produit.

Classe climatique	Température ambiante
SN	+10 °C à +32 °C
N	+16 °C à +32 °C
ST	+16 °C à +38 °C
T	+16 °C à +43 °C

En cas de doute concernant l'installation, veuillez contacter votre revendeur, notre service clientèle ou le centre de réparation agréé le plus proche.



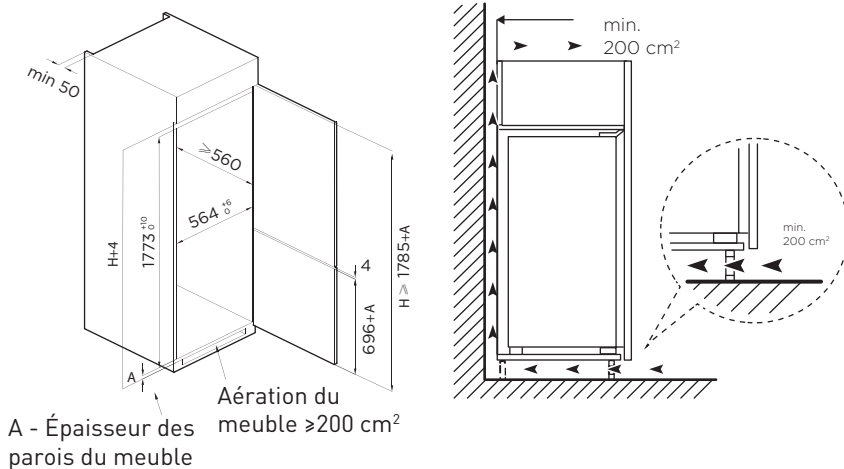
ATTENTION

Les performances de refroidissement et la consommation d'énergie du réfrigérateur peuvent être affectées par la température ambiante, la fréquence d'ouverture de la porte et l'emplacement du réfrigérateur. Nous vous recommandons d'ajuster les réglages de température au besoin.

Installation dans un meuble

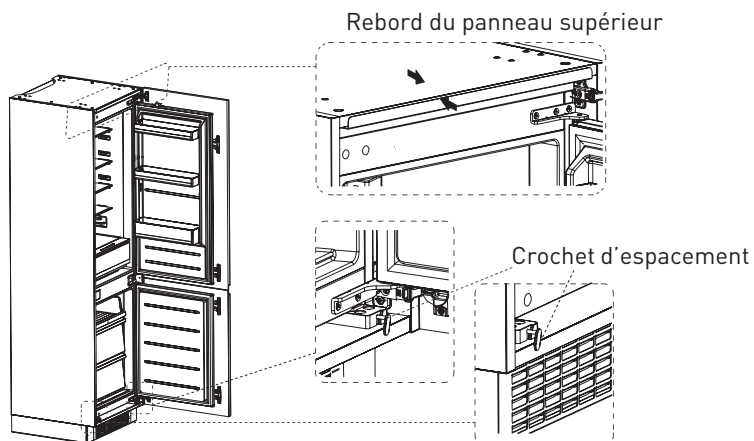
Étapes :

1. Taille requise pour le meuble.

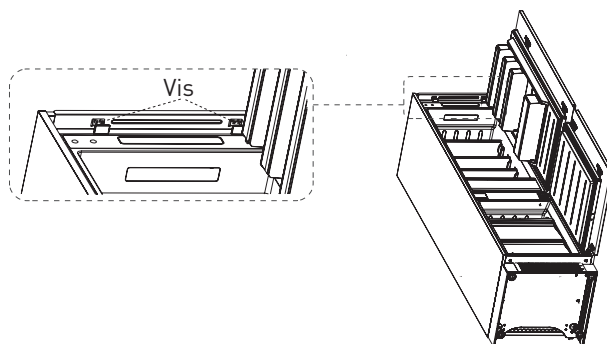


2. Insérez le réfrigérateur dans le meuble et ajustez sa position pour vous assurer que le rebord de son panneau supérieur touche complètement la paroi supérieure interne du meuble et que le crochet d'espacement du pied de soutien touche la paroi inférieure du meuble.

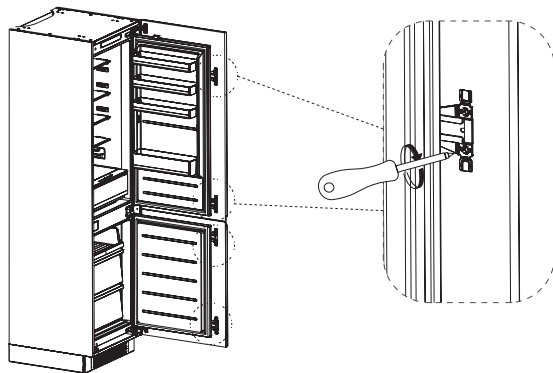
3. Fixez le pied de soutien à l'aide des vis, puis installez les cache-vis.



4. Fixez le panneau supérieur du réfrigérateur à la paroi supérieure interne du meuble à l'aide des vis, puis installez les cache-vis.



5. Ouvrez la porte du bas du meuble en plein, puis ouvrez la porte du bas du réfrigérateur pour la mettre dans la position correspondante. Faites glisser le bloc pour vous assurer que le bord interne est aligné avec le bord de la porte du bas du réfrigérateur, puis fixez le bloc sur la porte du meuble à l'aide des vis et installez les cache-vis. Fixez la porte du haut du réfrigérateur sur la porte du meuble de la même manière. Changez la position fixe du pied de réglage et de la charnière inférieure pour les mettre du côté opposé, puis fixez-les à nouveau.



6. Retirez le joint d'étanchéité du sac d'accessoires et insérez-le dans l'espace entre le meuble et le réfrigérateur en appuyant dessus. L'installation est alors terminée.

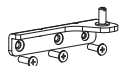


ATTENTION

Précautions à prendre avant l'installation : Les informations de ce mode d'emploi ne sont fournies qu'à titre indicatif, car le produit réel peut présenter des différences. Avant d'installer et ajuster des accessoires, vous devez vous assurer que le réfrigérateur est débranché de la prise de courant.

Changement du sens d'ouverture des portes

Pièces déjà installées sur le réfrigérateur (à l'expédition) :



R : Charnière inférieure



Cache



R : Charnière supérieure



Bloc fixe



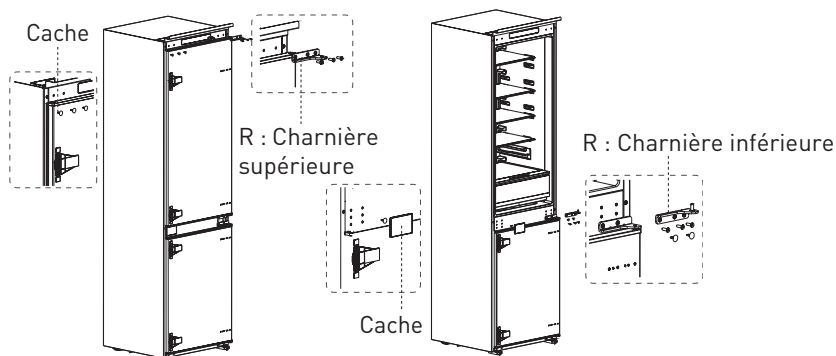
C : Charnière supérieure



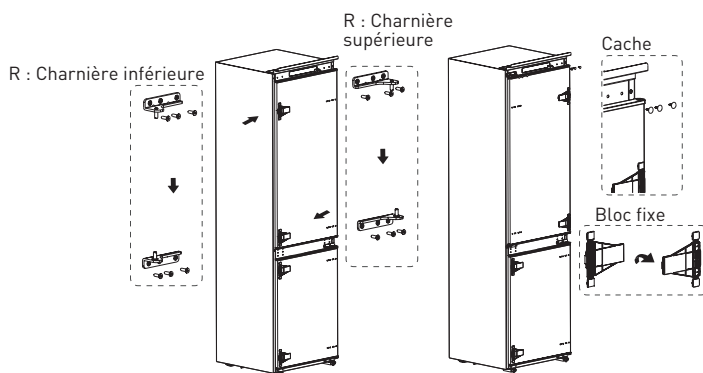
C : Charnière inférieure

Étapes :

1. Mettez le réfrigérateur hors tension et retirez tous les objets des balconnets de porte.
2. Retirez la charnière supérieure et les caches de la porte du réfrigérateur.
3. Ôtez la porte du réfrigérateur, la charnière inférieure et le cache.

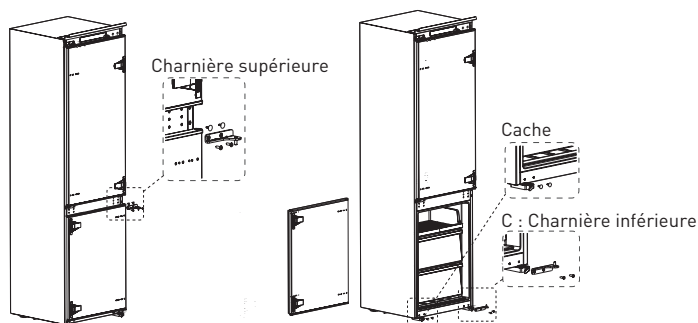


4. Changez la position de la charnière inférieure (R) et de la charnière supérieure (R) pour les placer du côté opposé, puis installez-les en suivant les étapes ci-dessous, avant d'installer les caches du haut.
5. Retirez les deux blocs fixes de la porte du réfrigérateur et faites-les pivoter de 180° avant de les installer de l'autre côté de la porte du réfrigérateur.

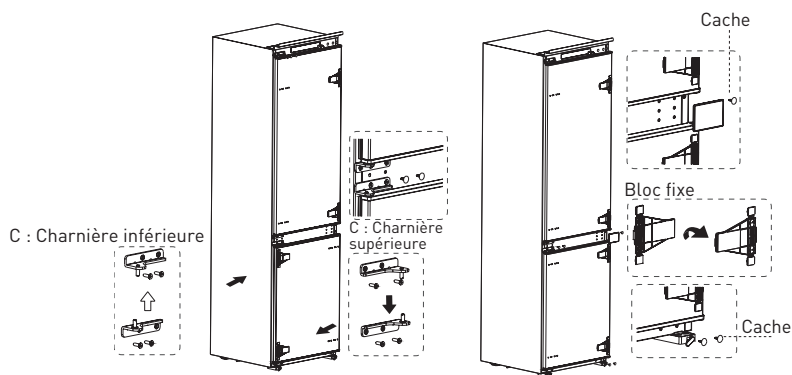


6. Retirez la charnière supérieure de la porte du congélateur ainsi que la broche.

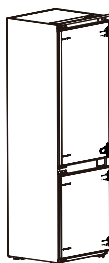
7. Ôtez la porte du congélateur, la charnière inférieure et les caches.



8. Changez la position de la charnière inférieure (C) et de la charnière supérieure (C) pour les placer du côté opposé, puis installez-les en suivant les étapes ci-dessous, avant d'installer le cache du haut et les caches du bas.
9. Retirez les deux blocs fixes de la porte du congélateur et faites-les pivoter de 180° avant de les installer de l'autre côté de la porte du congélateur.



10. L'image ci-dessous représente l'appareil après cette opération.



**ATTENTION**

Différences : En raison de changements techniques et de modèles différents, certaines des illustrations de ce mode d'emploi peuvent différer de votre modèle.

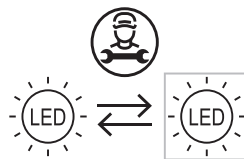
Déplacement de l'appareil

1. Retirez tout le contenu de l'appareil.
2. Débranchez la fiche d'alimentation, puis insérez-la et fixez-la sur le crochet de fiche d'alimentation à l'arrière ou au sommet de l'appareil.
3. Fixez les éléments tels que les clayettes et la porte avec du ruban adhésif pour éviter qu'ils ne tombent lors du déplacement de l'appareil.
4. Déplacez l'appareil délicatement à plus de deux personnes. Lorsque l'appareil doit être transporté sur une longue distance, maintenez-le droit.

Changement de la lampe

Tout remplacement ou toute réparation des lampes LED doivent être effectués par le fabricant, son agent de service ou une personne de qualifications similaires.

- Ce produit contient une source lumineuse de classe d'efficacité énergétique (F).
- La source lumineuse de ce produit ne peut être remplacée que par des professionnels qualifiés.
- Veuillez-vous rapprocher du service après-vente en cas de défaillance de la source lumineuse.
- Il convient de retirer la source lumineuse à la fin de la vie utile du produit, le tri et le recyclage étant effectués séparément.

**ATTENTION**

Après avoir branché le cordon d'alimentation (ou la fiche) à la prise de courant, patientez 2 à 3 heures avant de placer des aliments dans l'appareil. Si vous ajoutez des aliments avant que l'appareil n'ait complètement refroidi, ces aliments pourraient se gâter.

Conseils d'économie d'énergie

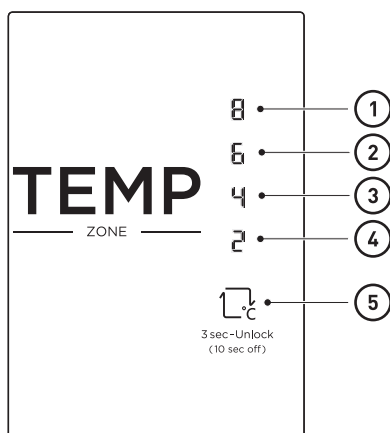
- Ne placez pas l'appareil près d'une cuisinière, d'un radiateur ou de toute autre source de chaleur. En cas de température ambiante élevée, le compresseur s'activera plus fréquemment et pendant plus longtemps, ce qui entraînera une augmentation de la consommation d'énergie.
- Veillez à ce qu'il y ait une ventilation suffisante au bas de l'appareil, sur les côtés de l'appareil et à l'arrière de l'appareil.
- Veuillez également respecter les espaces libres requis mentionnés dans le chapitre « Installation ».

- La disposition des tiroirs, clayettes et balconnets, telle qu'illustrée sur l'aperçu du produit, est la plus efficace en termes de consommation d'énergie et devrait être conservée autant que possible.
- Pour obtenir un espace de stockage plus grand (par ex. pour des aliments réfrigérés/surgelés plus volumineux), les tiroirs et clayettes du milieu peuvent être retirés. Les tiroirs et clayettes du haut et du bas doivent être retirés en dernier si cela s'avère nécessaire.
- Un compartiment de réfrigération/congélation rempli contribue à une consommation d'énergie optimale.
- Laissez les aliments chauds refroidir avant de les placer dans le compartiment de réfrigération/congélation. Placer les aliments déjà refroidis dans l'appareil permet d'augmenter son efficacité énergétique.
- Laissez les aliments surgelés décongeler dans le compartiment de réfrigération. La froideur des aliments surgelés réduit la consommation énergétique du compartiment de réfrigération, augmentant ainsi l'efficacité énergétique de l'appareil.
- Ouvrez la porte le moins longtemps possible pour minimiser la perte de froid. Ouvrir la porte brièvement et la refermer correctement réduit la consommation d'énergie.
- Pour une utilisation optimale de l'énergie, ne réglez pas la température sur un niveau plus froid que nécessaire.
- Les joints de porte de l'appareil doivent être complètement intacts pour que les portes se ferment correctement et que la consommation d'énergie n'augmente pas de façon inutile.

Consignes d'utilisation

Utilisation et fonctions

Panneau de commande



Écran d'affichage

- | | |
|--------------------|--------------------|
| ① Réglage 1 : 8 °C | ③ Réglage 3 : 4 °C |
| ② Réglage 2 : 6 °C | ④ Réglage 4 : 2 °C |

Touche

- ⑤ Touche de réglage (touche de réglage de la température du compartiment de réfrigération)



ATTENTION

Le panneau de commande réel peut varier selon le modèle.

Écran

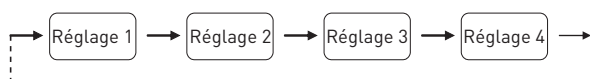
- À la mise en marche initiale, l'écran s'affiche dans son intégralité pendant 3 s, puis le réfrigérateur se met à fonctionner selon le réglage 3.
- L'écran affiche le fonctionnement normal.
- En cas de défaillance, l'indicateur LED correspondant clignote.
- S'il n'y a pas de défaillance, l'écran affiche le réglage de température actuel du réfrigérateur.

Code d'erreur	Description du problème
Indicateur du réglage 1	Circuit du capteur de température du réfrigérateur
Indicateur du réglage 2	Capteur de dégivrage du réfrigérateur
Indicateur du réglage 3	Capteur de dégivrage du congélateur
Indicateur du réglage 4	Capteur de température ambiante

Réglage de la température

Appuyez une fois sur la touche de réglage de la température « 5 » pour changer le réglage de température d'un niveau. Une fois la température réglée, le réfrigérateur fonctionnera selon la valeur définie au bout de 30 s.

La séquence de réglage est la suivante :



Réglage recommandé : Compartiment de réfrigération à 4 °C.

Réglage du thermostat pour T°C ambiante : NORMALE $\approx +24^{\circ}\text{C}$ ($\pm 4^{\circ}\text{C}$)	4°C
Réglage du thermostat pour T°C ambiante : FROIDE $\approx +16^{\circ}\text{C}$ ($\pm 4^{\circ}\text{C}$)	4°C
Réglage du thermostat pour T°C ambiante : CHAUDE $\approx +32^{\circ}\text{C}$ ($\pm 4^{\circ}\text{C}$)	4°C

Mode Super congélation

Appuyez sur la touche « 5 » pendant 3 s pour activer le mode Super congélation.

Appuyez une nouvelle fois sur cette touche pour sortir de ce mode. Si vous ne sortez pas du mode Super congélation en appuyant sur la touche, le mode se désactivera automatiquement au bout de 20 h.

Verrouillage/Déverrouillage

Lorsque le panneau de commande est verrouillé, appuyez longuement sur la touche de réglage de la température pendant 3 secondes afin de le déverrouiller. Tous les indicateurs LED clignoteront pendant 2 secondes une fois le panneau déverrouillé.

Lorsque le panneau de commande est déverrouillé, il se verrouillera automatiquement au bout de 30 secondes si aucune action n'est effectuée sur le panneau.

Fonction d'arrêt automatique

1. Activation du mode : Sur le panneau de commande déverrouillé, appuyez pendant 10 s sur la touche SET (si l'écran et le panneau du réfrigérateur sont éteints, la fonction de la touche SET sera effective lorsque vous relâcherez la touche). Au bout de 30 s, le réfrigérateur entrera en mode d'arrêt automatique. En mode d'arrêt, toutes les fonctions seront désactivées, et l'écran et les commandes du réfrigérateur seront éteints.
2. Désactivation du mode : En mode d'arrêt automatique, appuyez sur la touche SET pour sortir de ce mode. Le réfrigérateur reprendra alors son fonctionnement normal.

Stockage des alimentsCompartiment de congélation

- Le compartiment de congélation est destiné à la congélation des aliments à basse température, au stockage à long terme des aliments surgelés et à la fabrication de glaçons.
- Prêtez attention à la classification par étoiles (4 étoiles, 2 étoiles et 1 étoile) dans le compartiment de congélation et aux durées de conservation correspondantes pour les aliments surgelés.
- Ne placez pas des aliments frais et des aliments surgelés les uns à côté des autres. Les aliments surgelés pourraient en effet se décongeler.
- Pour congeler de grandes quantités d'aliments frais (comme de la viande, du poisson ou des morceaux de viande), séparez les aliments en plusieurs petits morceaux avant de les mettre dans le congélateur, afin qu'ils puissent se congeler et être retirés rapidement.
- Respectez les durées de conservation recommandées par les fabricants sur les emballages alimentaires. Si les emballages ne comportent aucune information, les aliments ne doivent pas être stockés dans le congélateur plus de trois mois à compter de la date d'achat.
- Lors de l'achat d'aliments surgelés, assurez-vous qu'ils ont été congelés à une température convenable et que leur emballage n'est pas endommagé.

- Les aliments surgelés doivent être conservés dans des emballages individuels appropriés, de manière à ce que les aliments à proximité ne puissent pas être contaminés. Consommez les aliments décongelés immédiatement et ne les recongelez pas.
- En cas de panne de courant prolongée ou de défaillance de l'appareil, retirez les aliments surgelés stockés à l'intérieur et vérifiez qu'ils sont toujours comestibles. Stockez-les ensuite dans un endroit suffisamment frais ou dans un autre appareil.
- Pour décongeler des aliments, retirez-les du congélateur et laissez-les décongeler à température ambiante ou au réfrigérateur. Pour une décongélation rapide, vous pouvez utiliser la fonction de décongélation de votre micro-ondes, par exemple.
- Si vous ne souhaitez décongeler qu'une partie du contenu d'un emballage, retirez la portion souhaitée et refermez immédiatement l'emballage. Vous éviterez ainsi toute « brûlure de congélation » et réduirez la formation de givre sur le reste des aliments.

Compartiment de réfrigération

- Pour réduire l'humidité et l'accumulation de givre qui en découle, ne placez jamais de récipients non fermés contenant du liquide dans le compartiment de réfrigération. Le givre a tendance à se former surtout dans les parties les plus froides de l'évaporateur. Le stockage de liquides non couverts entraîne la nécessité de dégivrer l'appareil plus fréquemment.
- Ne placez jamais d'aliments chauds dans le compartiment de réfrigération. Ces aliments doivent d'abord refroidir jusqu'à la température ambiante avant d'être placés dans le réfrigérateur de manière à garantir une circulation d'air adéquate dans le compartiment de réfrigération.
- Les aliments ou récipients alimentaires ne doivent pas toucher la paroi arrière interne du réfrigérateur, car ils pourraient coller à celle-ci à cause du givre. N'ouvrez pas la porte du réfrigérateur de façon trop régulière.
- La viande et le poisson nettoyé (dans leur emballage ou du papier aluminium) peuvent être placés dans le compartiment de réfrigération pour être utilisés 1 à 2 jours après.
- Les fruits et légumes sans emballage peuvent être placés dans la partie destinée aux fruits et légumes frais.



ATTENTION

Stocker trop d'aliments dans le réfrigérateur en fonctionnement après son branchement initial à l'alimentation peut nuire à son effet de congélation.

Durée et température de conservation

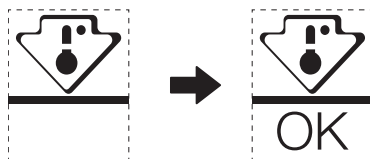


Remarque : Une durée de conservation excessive ou une conservation à une température de congélation inappropriée peut causer une baisse de qualité ou la détérioration des aliments, entraînant un gâchis de nourriture, des aliments avariés, voire une intoxication alimentaire. Dans la plupart des cas, la température minimale doit être de -18 °C ou moins. Respectez les durées de conservation maximales recommandées ci-dessous :

- Ragoûts, crème glacée, saucisses, pain : 2 à 6 mois.
- Poisson, crevettes, agneau, viande : 4 à 8 mois.
- Légumes, fruits, volaille, bœuf : 6 à 12 mois.

Zone la plus froide du réfrigérateurOPTIONNEL : Indicateur de température OK

- L'indicateur de température OK peut être utilisé pour vérifier que la température est inférieure à +4 °C. Réduisez progressivement la température si le symbole OK n'est pas affiché.



- Pour garantir la température de cette zone, ne changez pas la position de la clayette. Pour les réfrigérateurs à froid ventilé (modèles équipés d'un ventilateur ou modèles No Frost), le symbole de la zone la plus froide n'est pas affiché car la température interne est homogène.

Réglage de l'indicateur de température

- Pour vous aider à bien configurer votre réfrigérateur, ce dernier dispose d'un indicateur de température contrôlant la température moyenne dans la zone la plus froide.

**ATTENTION**

Cet indicateur est conçu pour fonctionner avec ce réfrigérateur uniquement. Ne l'utilisez pas dans un autre réfrigérateur (la zone la plus froide ne sera pas la même) ou pour tout autre usage.

Contrôle de la température dans la zone la plus froide

- Grâce à l'indicateur de température, vous pouvez régulièrement vérifier que la température de la zone la plus froide est correcte. En effet, la température interne du réfrigérateur dépend de plusieurs facteurs, tels que la température ambiante de la pièce, la quantité d'aliments stockés et la fréquence d'ouverture de la porte. Prenez ces facteurs en compte lors de la configuration de l'appareil.
- Lorsque l'indicateur affiche « OK », cela signifie que le thermostat est bien réglé et que la température interne est correcte.
- Si l'indicateur de température devient BLANC, cela signifie que la température est trop élevée. Dans ce cas, augmentez le réglage de température du réfrigérateur et patientez 12 heures avant de vérifier à nouveau l'indicateur. Lors de l'ajout d'aliments frais ou lorsque la porte a été laissée ouverte, il est possible que l'indicateur de température devienne BLANC après quelque temps.

Nettoyage et entretien



ATTENTION !

Ne rincez pas directement l'appareil avec de l'eau ou d'autres liquides pendant le nettoyage, pour éviter un court-circuit ou nuire à l'isolation électrique en cas d'immersion.



ATTENTION

L'appareil doit fonctionner en continu une fois qu'il a démarré. En règle générale, le fonctionnement de l'appareil ne doit pas être interrompu, car cela pourrait nuire à sa durée de vie.

- Débranchez l'appareil de la prise de courant avant d'effectuer toute opération de maintenance régulière. Attendez au moins 5 minutes avant de remettre l'appareil en marche, car des redémarrages fréquents peuvent endommager le compresseur.
- Débranchez l'appareil en tirant sur la fiche, pas le cordon.
- Ne grattez pas le givre et la glace avec des objets pointus ou coupants. N'utilisez pas d'aérosols, d'appareils de chauffage électriques tels qu'un radiateur, un sèche-cheveux, un nettoyeur vapeur, ou d'autres sources de chaleur, et ce afin d'éviter d'endommager les pièces en plastique.
- Éliminez la poussière à l'arrière de l'appareil au moins une fois par an afin d'éviter tout risque d'incendie et une augmentation de la consommation d'énergie.

- Vérifiez régulièrement le joint de porte pour vous assurer qu'il n'y a pas de débris. Nettoyez le joint de porte à l'aide d'un chiffon doux humidifié avec de l'eau savonneuse ou du détergent dilué.
- L'intérieur du produit doit être nettoyé régulièrement pour éviter les odeurs.
- Utilisez un chiffon doux ou une éponge avec une solution composée de deux cuillères à soupe de bicarbonate de soude et d'un litre d'eau chaude pour nettoyer l'intérieur du produit. Rincez ensuite à l'eau et essuyez. Après le nettoyage, ouvrez la porte et laissez sécher à l'air libre avant de remettre l'appareil sous tension.
- Nous vous recommandons d'essuyer régulièrement les zones difficiles à nettoyer à l'intérieur du réfrigérateur (comme les endroits, espaces ou recoins étroits) avec un chiffon doux, une brosse douce, etc., et, lorsque cela est nécessaire, avec d'autres outils auxiliaires (comme des bâtonnets fins) pour vous assurer qu'il n'y a pas de dépôts de produits polluants ou de bactéries dans ces endroits.
- N'utilisez pas de savon, de détergent, de poudre abrasive, de produit nettoyant en aérosol, etc., car ces produits pourraient entraîner des odeurs à l'intérieur du réfrigérateur ou contaminer les aliments.
- Essuyez la surface extérieure du produit avec un chiffon doux humidifié avec de l'eau savonneuse, du détergent, etc., puis séchez-la en l'essuyant.
- N'utilisez pas de brosse dure, laine d'acier, brosse métallique, produit abrasif (comme du dentifrice), solvant organique (comme de l'alcool, de l'acétone, de l'huile de banane, etc.), eau bouillante, produit acide ou alcalin, car ils pourraient endommager la surface et l'intérieur du réfrigérateur. L'eau bouillante et les solvants organiques tels que le benzène pourraient déformer ou endommager les parties en plastique.

Dégivrage

Bien que cet appareil possède un système de dégivrage automatique, une couche de givre pourrait se former sur les

parois internes du compartiment de congélation si la porte du congélateur est souvent ouverte ou laissée ouverte trop longtemps. Si le givre est trop épais, choisissez un moment où le congélateur est presque vide et suivez ces étapes :

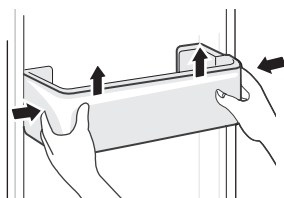
1. Retirez les aliments présents dans le congélateur et les accessoires comme les balconnets. Débranchez l'appareil de la prise secteur et laissez les portes ouvertes. Aérez bien la pièce pour accélérer le processus de dégivrage.
2. Une fois le dégivrage terminé, nettoyez le congélateur comme décrit plus haut.



ATTENTION ! N'utilisez pas d'objets pointus ou coupants pour enlever le givre du congélateur. Ne rebranchez l'appareil à la prise secteur et ne le remettez en marche qu'une fois que l'intérieur est complètement sec.

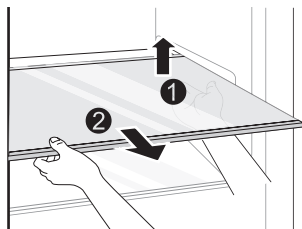
Nettoyage des balconnets de porte

- En respectant le sens de la flèche sur l'image plus bas, tenez le balconnet des deux mains et poussez-le vers le haut avant de le retirer.
- Après avoir nettoyé le balconnet retiré, vous pouvez le remettre en place et changer sa hauteur selon vos besoins.



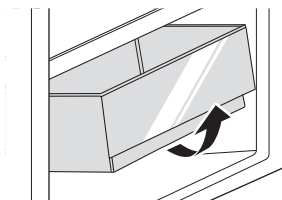
Nettoyage des clayettes

- Comme les parois internes du réfrigérateur supportant les clayettes disposent d'un butoir, vous pouvez soulever les clayettes puis les retirer en les tirant vers vous.
- Changez l'emplacement des clayettes et nettoyez-les quand cela s'avère nécessaire.



Nettoyage du bac à légumes

- Videz le contenu du bac. Tenez la poignée du bac à légumes et sortez le bac jusqu'à ce qu'il se bloque.
- Soulevez alors le bac à légumes et sortez-le en le tirant vers vous.



ATTENTION

Différences : En raison de changements techniques et de modèles différents, certaines des illustrations de ce mode d'emploi peuvent différer de votre modèle.

Guide de dépannage

Les problèmes simples qui suivent peuvent être résolus par l'utilisateur. Veuillez contacter le service après-vente si un problème ne peut être résolu.

Problème	Causes possibles	Solution
L'appareil ne fonctionne pas.	<ul style="list-style-type: none"> • La prise de courant n'est pas allumée et la fiche n'est pas correctement insérée. • La tension est basse, il y a une panne de courant ou le disjoncteur a sauté. 	<ul style="list-style-type: none"> • Branchez fermement la fiche du cordon d'alimentation. • Vérifiez votre alimentation électrique.
La lampe ne s'allume pas.	<ul style="list-style-type: none"> • L'appareil n'est pas allumé. • La lampe est cassée. 	<ul style="list-style-type: none"> • Débranchez et rebranchez le cordon d'alimentation. • Remplacez la lampe par une nouvelle.
Les fruits ou les légumes sont gelés.	<ul style="list-style-type: none"> • Les aliments ont-ils été placés à l'arrière du réfrigérateur ? La zone à proximité de la paroi arrière est celle où la température est la plus basse. • Des fruits et des légumes sont placés dans la zone fraîche. 	<ul style="list-style-type: none"> • Ne mettez pas d'aliments pouvant geler facilement à l'arrière du compartiment de réfrigération. • La zone fraîche est uniquement destinée à la viande/au poisson.
Le réfrigérateur/ congélateur refroidit trop.	<ul style="list-style-type: none"> • La température n'est pas correctement réglée. 	<ul style="list-style-type: none"> • Réglez la température sur un niveau plus élevé.

Problème	Causes possibles	Solution
Le compresseur fonctionne sur une longue période.	<ul style="list-style-type: none"> • Une température ambiante élevée entraîne un fonctionnement prolongé du compresseur. • Trop d'aliments ont été ajoutés en même temps. • Des aliments ont été ajoutés avant qu'ils n'aient refroidi. • La porte est trop souvent ouverte. • La couche de givre à l'intérieur est trop épaisse. 	<ul style="list-style-type: none"> • Cela est normal. • Ne placez pas trop d'aliments en même temps dans l'appareil. • Attendez que les aliments aient refroidi avant de les placer dans l'appareil. • N'ouvrez pas la porte trop souvent. • L'appareil doit être dégivré.
La porte ne se ferme pas correctement.	<ul style="list-style-type: none"> • Des objets bloquent la porte. • Il y a trop d'aliments à l'intérieur. • Le joint de porte est déformé. 	<ul style="list-style-type: none"> • Ne placez pas trop d'aliments. • Veillez à ce que l'appareil soit stable. • Chauffez le joint de porte et laissez-le refroidir pour le restaurer (utilisez un sèche-cheveux électrique ou de l'eau chaude pour le chauffer).
La paroi externe est chaude.	<ul style="list-style-type: none"> • Lorsque l'appareil est en fonctionnement, de la chaleur se dissipe vers l'extérieur, via les tubes en métal se trouvant à l'intérieur. • Les températures ambiantes élevées en été entraînent une augmentation de la température de la paroi externe. 	<ul style="list-style-type: none"> • Il est normal que la température soit plus élevée sur la paroi externe. • Laissez plus d'espace pour permettre à la chaleur de se dissiper ou placez l'appareil dans un endroit frais et aéré.
Les barres transversales ou verticales sont chaudes.	<ul style="list-style-type: none"> • Ces barres contiennent des tubes en métal et la chaleur libérée par ces tubes empêche la condensation. 	<ul style="list-style-type: none"> • Cela est normal.

Problème	Causes possibles	Solution
Il y a des odeurs.	<ul style="list-style-type: none"> • Des aliments sont avariés. • Il y a des aliments aux odeurs fortes. • L'intérieur du compartiment est sale. 	<ul style="list-style-type: none"> • Nettoyez le compartiment après avoir retiré les aliments avariés. • Assurez-vous d'emballer de façon hermétique les aliments odorants. • Nettoyez l'intérieur du compartiment.
La température réelle est différente de la température réglée.	<ul style="list-style-type: none"> • Lorsque des aliments chauds sont placés dans le réfrigérateur, la température augmente de façon temporaire. • Après avoir sélectionné une nouvelle température, il faut du temps à la température du compartiment pour atteindre la température réglée lorsque la porte n'est pas fermée. • Une fois la température stabilisée, les températures réelles dans diverses zones du compartiment ne sont pas identiques, avec une différence d'environ ± 3 °C. 	<ul style="list-style-type: none"> • Cela est normal. • Attendez quelque temps avant de vérifier la température réelle.
De la condensation se forme à l'extérieur.	<ul style="list-style-type: none"> • De la condensation peut se former lorsque l'humidité ambiante de la pièce est élevée. 	<ul style="list-style-type: none"> • Cela est normal. Essayez la condensation à l'aide d'un chiffon sec.

Problème	Causes possibles	Solution
De la condensation se forme à l'intérieur du réfrigérateur et des tiroirs.	<ul style="list-style-type: none"> Le réfrigérateur maintient un taux d'humidité élevé pour que les légumes et autres aliments gardent leur fraîcheur. Le taux d'humidité est trop élevé dans la pièce et les portes ont été ouvertes fréquemment. Le joint de porte n'est pas tendu. 	<ul style="list-style-type: none"> Essuyez la condensation à l'aide d'un chiffon sec. N'ouvrez pas les portes aussi souvent et ne les laissez pas ouvertes trop longtemps. Vérifiez le joint de porte, nettoyez-le ou ajustez sa position.
Il y a du givre autour des entrées et sorties d'air.	<ul style="list-style-type: none"> La porte n'est pas correctement fermée. Le joint de porte n'est pas tendu. 	<ul style="list-style-type: none"> Vérifiez qu'il n'y a pas d'aliments bloquant la porte. Vérifiez le joint de porte, nettoyez-le ou ajustez sa position.
La porte est difficile à ouvrir.	<ul style="list-style-type: none"> La différence entre la pression de l'air à l'intérieur et à l'extérieur du compartiment peut parfois rendre l'ouverture de la porte du congélateur difficile. 	<ul style="list-style-type: none"> Attendez quelque temps, puis essayez d'ouvrir la porte doucement.
Il n'y a pas de glaçons préparés (pour les modèles avec distributeur de glaçons uniquement)	<ul style="list-style-type: none"> La fonction de distribution de glaçons n'est pas activée. L'appareil n'est pas alimenté en eau. Le tuyau d'eau est plié. Le raccordement du tuyau d'eau n'a pas été fait correctement. La pression d'eau est trop basse. 	<ul style="list-style-type: none"> Activez la fonction de distribution de glaçons. Vérifiez que l'alimentation en eau est ouverte. Redressez le tuyau. Vérifiez le raccordement du tuyau d'eau. Vérifiez la pression de l'alimentation en eau et assurez-vous que le filtre n'est pas bouché.

Certains bruits se font entendre lors du fonctionnement normal du réfrigérateur, sans que cela n'affecte son fonctionnement.

Certains bruits peuvent être facilement évités :

- Les bruits causés par un appareil bancal - ajustez sa position grâce aux pieds avant de réglage. Vous pouvez sinon placer des tapis faits de matériaux souples sous les roulettes arrière, notamment lorsque l'appareil se trouve sur du carrelage.
- L'appareil touche le meuble adjacent - éloignez le réfrigérateur.

- Les tiroirs ou clayettes grincent - retirez les tiroirs ou clayettes, puis remettez-les en place.
- Il y a des bruits de bouteilles qui s'entrechoquent - éloignez les bouteilles les unes des autres.

Les bruits qui se font entendre pendant une utilisation normale sont principalement dus au compresseur en fonctionnement (mise en marche) et au système de refroidissement (en raison de l'expansion et de la contraction thermiques du radiateur entraînées par la circulation de l'agent de refroidissement).

Bedankt!

Proficiat met uw keuze voor een product van VALBERG. De selectie en de testen van de toestellen van VALBERG gebeuren volledig onder controle en supervisie van ELECTRO DEPOT. We staan garant voor de kwaliteit van de toestellen van VALBERG, die uitmunten in hun eenvoudig gebruik, hun betrouwbare werking en hun onberispelijke kwaliteit.

ELECTRO DEPOT beveelt de VALBERG toestellen aan en is ervan overtuigd dat u uiterst tevreden zal zijn bij elk gebruik van het toestel. Welkom bij ELECTRO DEPOT.

Bezoek onze website: www.electrodepot.be



Inhoudstafel

A

**Overzicht van het
toestel**

Onderdelen

B

**Gebruik van het
toestel**

Installatie-instructies
Gebruiksaanwijzingen

C

**Reiniging en
onderhoud**

Reiniging en onderhoud
Probleemoplossing

Onderdelen

- A** Ledlamp
- B** Glazen legplanken in koelkast
- C** Temperatuurbedieningspaneel
- D** Fruit- en groentelade
- E** Opbergvak
- F** Lade
- G** Deurvak

Voor een zo efficiënt mogelijk energieverbruik moet u alle interne onderdelen zoals bakjes, laden, planken en ijsblokjesdoos op de door de fabrikant geleverde positie houden.



OPGELET

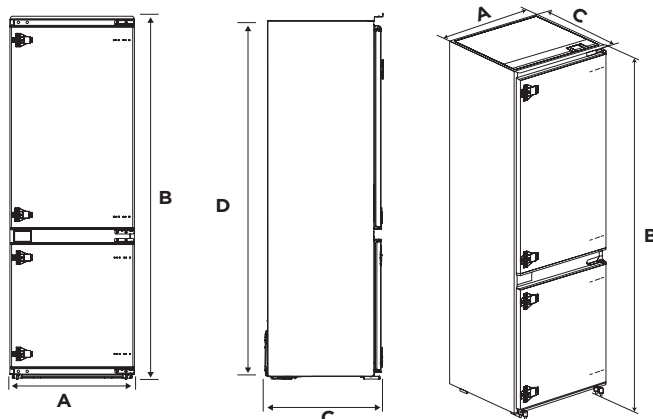
Verschillen: Door technische wijzigingen en verschillende modellen kunnen sommige illustraties in deze handleiding afwijken van uw model.

Installatie-instructies

Voor ingebruikname

- Verwijder de buiten- en binnenverpakking, veeg de buitenkant grondig af met een zachte, droge doek en de binnenkant met een natte, lauwe doek.
- Voordat u uw koelkast aansluit op de stroomtoevoer, moet u controleren of de spanning die vermeld staat op het typeplaatje van uw apparaat overeenkomt met de spanning in uw huis. Een andere spanning kan het apparaat beschadigen.
- Het apparaat moet geaard zijn. De fabrikant is niet verantwoordelijk voor schade die kan ontstaan door gebruik zonder aarding.

Schema met benodigde ruimte



A	B	C	D
540 mm	1785 mm	510 mm	1770 mm

Omgevingstemperatuur

- Afhankelijk van de klimaatklasse is deze koelkast bedoeld voor gebruik bij een omgevingstemperatuurbereik zoals aangegeven in de onderstaande tabel.
- Het product werkt mogelijk niet goed bij temperaturen buiten het aangegeven bereik.
- U vindt de klimaatklasse op het productetiket.

Klimaatklasse	Omgevingstemperatuur
SN	-10 °C tot +32 °C
N	-16 °C tot +32 °C
ST	-16 °C tot +38 °C
T	-16 °C tot +43 °C

Als u twijfels hebt over de installatie, dient u zich te wenden tot de verkoper, onze klantenservice of het dichtstbijzijnde geautoriseerde servicecentrum.



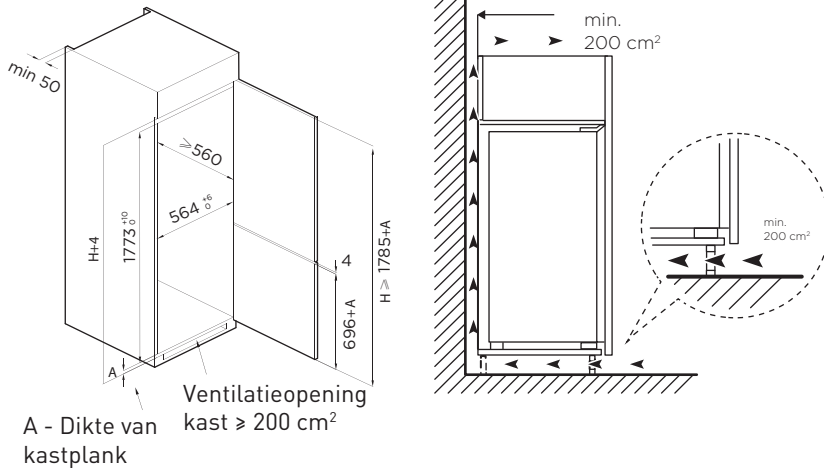
OPGELET

De koelprestaties en het energieverbruik van de koelkast kunnen worden beïnvloed door de omgevingstemperatuur, de frequentie waarmee de deur wordt geopend en de locatie van de koelkast. Wij raden aan de temperatuurinstellingen aan te passen wanneer nodig.

Installatie in kast

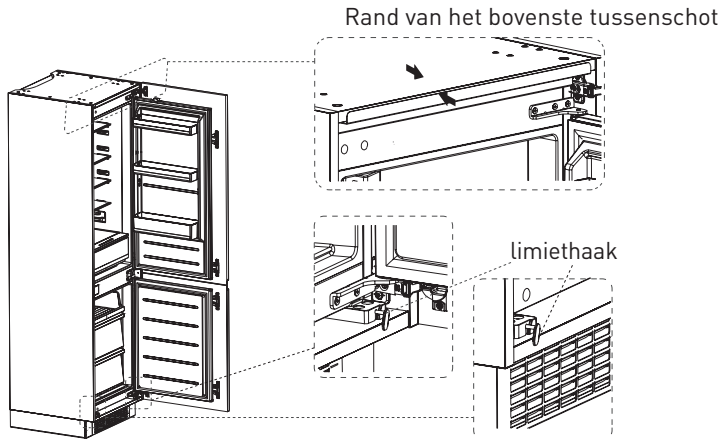
Stappen:

1. Benodigde ruimte voor kast.

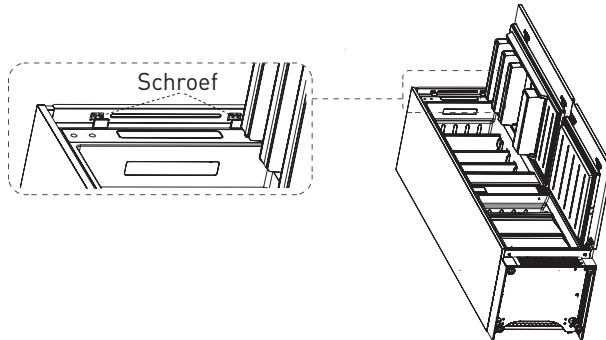


2. Duw de koelkast in de kast en stel hem zo af dat de rand van het bovenste tussenschot de bovenrand van de kast volledig raakt en de limiethaak van de steunpoot de onderrand van de kast volledig raakt.

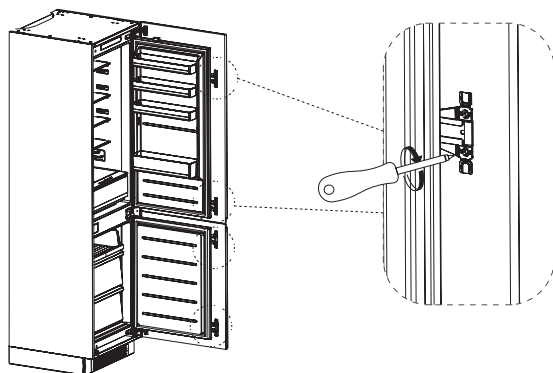
3. Bevestig de steunpoot met schroeven en monteer vervolgens de schroefdoppen.



4. Bevestig het bovenste tussenschot aan de binnenkant van de kast met schroeven en monteer vervolgens de schroefdoppen.



5. Open de onderste deur van de kast tot de maximale hoek en open de onderste deur van de koelkast tot de overeenkomstige positie. Schuif het blok, zodat de binnenrand op één lijn ligt met de onderste deurrand van de koelkast, bevestig het blok vervolgens aan de kastdeur met de schroef en installeer de schroefdoppen. Bevestig de bovenste koelkastdeur op dezelfde manier aan de kastdeur. Verwissel de vaste positie van de verstelbare voet en het onderste scharnier en zet ze daarna weer vast.



6. Haal de afdichtstrip uit het accessoireszakje en druk deze in de opening tussen de kast en de koelkast. De installatie is voltooid.

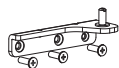


OPGELET

Voorzorgsmaatregelen vóór installatie: De informatie in de handleiding is alleen bedoeld als referentie. Het fysieke product kan afwijken. Alvorens met de installatie van start te gaan en de accessoires af te stellen, dient u ervoor te zorgen dat de stekker van de koelkast niet in het stopcontact zit.

Deuren omkeren

Onderdelen die al op de koelkast zijn gemonteerd (zoals verzonden):



R: Onderste scharnier



Afdekkapje



R: Bovenste scharnier



Vast blok



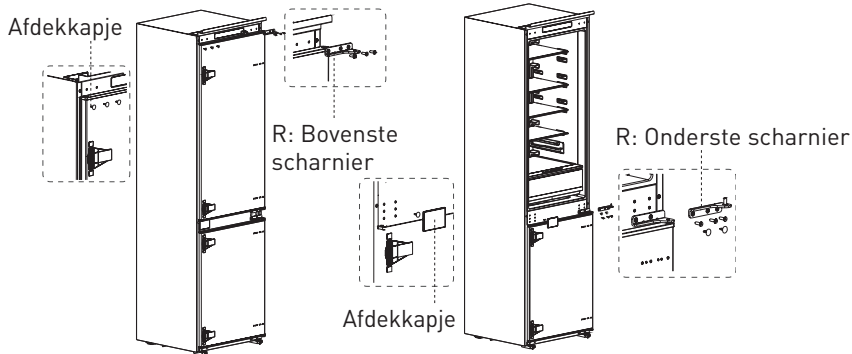
F: Bovenste scharnier



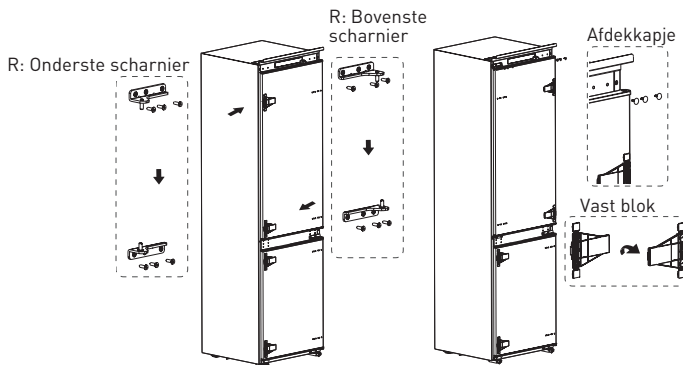
F: Onderste scharnier

Stappen:

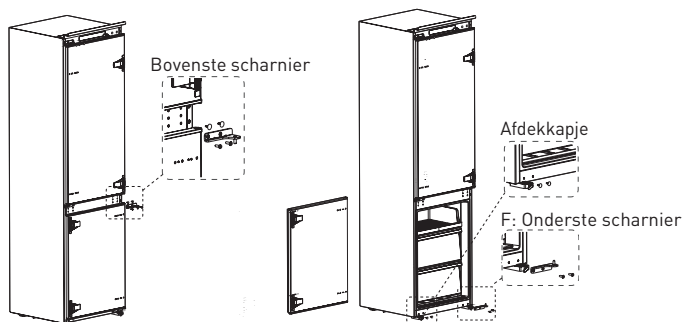
1. Schakel de koelkast uit en haal alle voorwerpen uit de deurvakken.
2. Verwijder het bovenste scharnier en de afdekkappen van de koelkastdeur.
3. Verwijder de deur van de koelkast, het onderste scharnier en de gatafdekking.



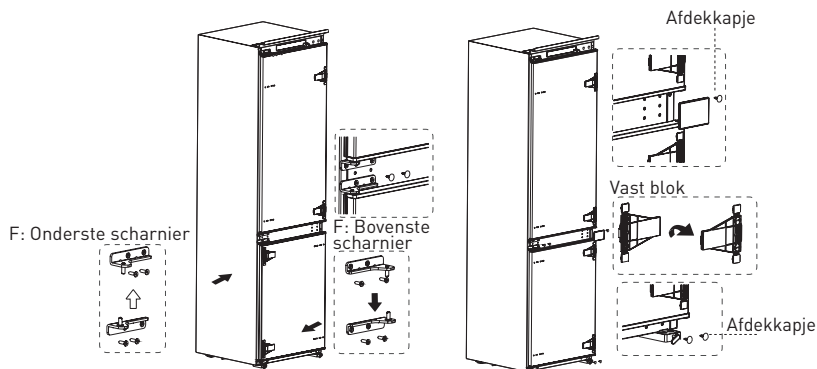
4. Verwissel het R:onderste scharnier en het R:bovenste scharnier, monteer ze dan volgens onderstaande stappen en monteer de bovenste afdekkapjes.
5. Verwijder de twee vaste blokken van de koelkastdeur en draai ze 180° en installeer ze aan de andere kant van de koelkastdeur.



6. Verwijder het bovenste scharnier van de diepvriesdeur en de pluggen.
7. Verwijder de diepvriesdeur, het onderste scharnier en de afdekkapjes.



8. Verwissel het F:onderste scharnier en het F:bovenste scharnier en monteer ze volgens onderstaande stappen en monteer de afdekkappen voor de bovenste gaten en de afdekkappen voor de onderste gaten.
9. Verwijder de twee vaste blokken van de diepvriesdeur en draai ze 180° en monteer ze aan de andere kant van de diepvriesdeur.



10. De afbeelding na voltooiing ziet er als volgt uit.



OPGELET

Verschillen: Door technische wijzigingen en verschillende modellen kunnen sommige illustraties in deze handleiding afwijken van uw model.

Het apparaat verplaatsen

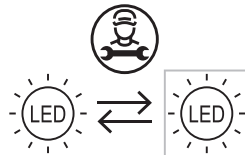
1. Haal alle onderdelen uit het apparaat.
2. Trek de stekker uit en zet deze vast in de stekkerhaak aan de achter- of bovenkant van het apparaat.
3. Zet de onderdelen, zoals de legplanken en de deur, vast met plakband om te voorkomen dat ze tijdens het verplaatsen uit het apparaat vallen.

- Verplaats het apparaat voorzichtig met meer dan twee personen. Houd het apparaat rechtop als u het over een grote afstand verplaatst.

De lamp vervangen

Elke vervanging of onderhoud van de ledlampen mag alleen worden uitgevoerd door de fabrikant, de reparateur of een gelijkwaardig vakbekwaam persoon.

- Dit product bevat een lichtbron van energie-efficiëntieklasse (F).
- De lichtbron in dit product kan alleen door een gekwalificeerde vakman worden vervangen.
- Neem contact op met de klantenservice als de lichtbron niet werkt.
- De lichtbron moet aan het einde van de gebruiksduur van het product worden verwijderd en apart worden gesorteerd en gerecycled.



OPGELET

Nadat u het netsnoer (of de stekker) in het stopcontact hebt gestoken, wacht u 2 à 3 uur voordat u het apparaat met voedsel vult. Als u voedsel toevoegt voordat het apparaat volledig is afgekoeld, kan uw voedsel bederven.

Tips voor energiebesparing

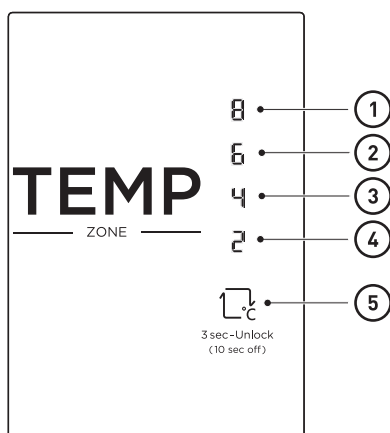
- Plaats het apparaat niet in de buurt van een fornuis, radiator of andere warmtebron. Als de omgevingstemperatuur hoog is, zal de compressor vaker en langer draaien, wat leidt tot een hoger energieverbruik.
- Zorg voor voldoende ventilatie aan de onderkant, zijkant en achterkant van het apparaat.
- Houd tevens rekening met de nodige vrije ruimte zoals vermeld in het hoofdstuk 'Installatie'.
- De opstelling van de laden, legplanken en deurvakken zoals weergegeven in de afbeelding biedt het meest efficiënte energieverbruik en moet aldus zoveel mogelijk worden gehandhaafd.
- Om een grotere bewaarruimte te verkrijgen (bijv. voor grote koel-/diepvriesproducten), kunnen de middelste laden en planken worden verwijderd. De bovenste en onderste laden en legplanken moeten zo nodig als laatste worden verwijderd.
- Een gelijkmatig gevuld koel-/vriesvak draagt bij tot een optimaal energieverbruik.
- Laat warm voedsel afkoelen voordat u het in het koel-/vriesvak steekt. Voedsel dat al is afgekoeld, verhoogt de energie-efficiëntie.
- Laat diepvriesvoeding ontdooien in het koelvak. De koude van de diepvriesproducten verlaagt het energieverbruik in het koelvak en verhoogt zo de energie-efficiëntie.
- Open de deur zo kort als nodig om koudeverlies tot een minimum te beperken. Het kort openen en goed sluiten van de deur verlaagt het energieverbruik.
- De temperatuur niet kouder instellen dan nodig is, draagt bij aan een optimaal energieverbruik.

- De deurafdichtingen van uw apparaat moeten perfect intact zijn, zodat de deuren goed sluiten en het energieverbruik niet onnodig wordt verhoogd.

Gebruiksaanwijzingen

Gebruik en functies

Functiepaneel



Scherm

- | | |
|----------------------|----------------------|
| ① Instelling 1: 8 °C | ③ Instelling 3: 4 °C |
| ② Instelling 2: 6 °C | ④ Instelling 4: 2 °C |

Toets

- ⑤ Insteltoets (knop voor het instellen van de temperatuur van het koelvak)



OPGELET

Het werkelijk bedieningspaneel kan per model verschillen.

Scherm

- Zodra de koelkast is ingeschakeld, wordt het scherm 3 seconden lang volledig weergegeven en werkt de koelkast volgens instelling 3.
- Normale werking van scherm.

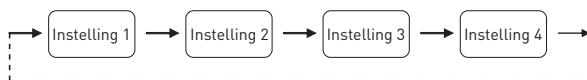
- In geval van een storing knipperen de bijbehorende leds.
- Wanneer er geen storing is, wordt de huidige temperatuurstelling van de koelkast weergegeven.

Foutcode	Foutbeschrijving
Controlelampje-instelling 1	Temperatuursensor van circuit van koelkast
Controlelampje-instelling 2	Ontdooisensor van koelkast
Controlelampje-instelling 3	Ontdooisensor van diepvries
Controlelampje-instelling 4	Omgevingstemperatuursensor

Temperatuur instellen

Telkens er eenmaal op de temperatuurinstelknop " 5 " wordt gedrukt, wordt de temperatuurinstelling eenmaal gewijzigd. Na het instellen van de temperatuur, werkt de koelkast na 30 sec. volgens de ingestelde waarde.

De overgangsregeling is:



Aanbevolen instelling: Koelkamer 4 °C.

Thermostaatinstelling voor ambient T ° C : NORMAAL $\approx +24^{\circ}\text{C}$ ($\pm 4^{\circ}\text{C}$)	4°C
Thermostaatinstelling voor ambient T ° C : KOUD $\approx +16^{\circ}\text{C}$ ($\pm 4^{\circ}\text{C}$)	4°C
Thermostaatinstelling voor ambient T ° C : HEET $\approx +32^{\circ}\text{C}$ ($\pm 4^{\circ}\text{C}$)	4°C

Snel invriezen

Druk gedurende 3 sec. op de knop " 5 " en de modus 'Snel invriezen' is ingeschakeld.

Wanneer u nogmaals op de knop drukt, wordt deze modus afgesloten. Als er niet wordt gedrukt in de modus 'Snel invriezen', wordt deze na 20 uur automatisch afgesloten.

Vergrendelen/Ontgrendelen

Als het temperatuurbedieningspaneel is vergrendeld, moet u 3 seconden lang op de temperatuurinsteltoets drukken om het paneel te ontgrendelen, alle leds knipperen 2 seconden als het paneel is ontgrendeld.

Als het temperatuurbedieningspaneel in de ontgrendelde stand staat en er binnen 30 seconden geen bediening op het bedieningspaneel plaatsvindt, gaat het automatisch over in de vergrendelde stand.

Uitschakelfunctie

1. Invoermodus: Stel in de ontgrendelstand de INSTELLEN-toets gedurende 10 sec. in (wanneer het scherm en de bediening van de koelkast helemaal uit zijn, wordt de INSTELLEN-toets actief als de toets wordt losgelaten). Na 30 sec. gaat de koelkast in de uitschakelmodus, wordt alle belasting uitgeschakeld en zijn het scherm en de bediening van de koelkast uitgeschakeld in de uitschakelmodus.
2. Afsluitmethode: Druk in de uitschakelmodus op de INSTELLEN-toets om de uitschakelmodus te verlaten en de koelkast keert terug naar de normale bediening.

Voedsel bewaren

Vriesvak

- Het vriesvak is bestemd voor het invriezen van voeding op een zeer lage temperatuur, een langdurige bewaring van diepvriesvoeding en de productie van ijsblokjes.
- Let op de sterrenclassificaties (4 sterren, 2 sterren en 1 ster) in het vriesvak en de daarbij horende bewaarperioden voor diepvriesproducten.
- Leg geen verse en bevroren levensmiddelen naast elkaar. De bevroren levensmiddelen kunnen ontdooien.
- Wanneer u grote hoeveelheden vers voedsel invriest (zoals vlees, vis of gehakt), verdeel het dan in verschillende kleine stukjes voordat u het erin steekt, zodat het snel kan worden ingevroren en gemakkelijk kan worden uitgehaald.
- Houd u aan de bewaartijden die worden aanbevolen door voedselabrikanten op de verpakkingen. Als er geen informatie op de verpakking staat, dan mag voedsel niet langer dan drie maanden vanaf de aankoopdatum in de diepvries worden bewaard.
- Let er bij de aankoop van diepvriesproducten op dat ze op een geschikte temperatuur zijn ingevroren en dat de verpakking niet beschadigd is.
- Diepvriesvoedsel moet worden bewaard in geschikte individuele verpakkingen om ervoor te zorgen dat aangrenzend voedsel niet kan worden besmet. Eet gedood en ontdood voedsel onmiddellijk op, vries het niet opnieuw in.
- In geval van langdurige stroomuitval of een storing van het apparaat, haalt u de bewaarde diepvriesproducten uit en controleert u of ze nog eetbaar zijn; bewaar ze vervolgens op een voldoende koele plaats of in een ander apparaat.
- Om voedsel te ontdooien, haalt u het uit de diepvries en laat u het ontdooien op kamertemperatuur of in de koelkast. Om voedsel snel te ontdooien, kunt u bijvoorbeeld de ontdooifunctie van uw microgolfoven gebruiken.
- Als u slechts een deel van een pak wilt ontdooien, haal dan het deel uit dat u nodig hebt en sluit onmiddellijk de rest van het pak. Op deze manier voorkomt u 'vriesbrand' en vermindert u ijsvorming op het overgebleven voedsel.

Koelvak

- Om vocht en bijgevolg ijsvorming te voorkomen, mag u nooit vloeistoffen in een niet-gesloten verpakking in de koelkast plaatsen. IJs heeft de neiging zich op te hopen in de koelste delen van de verdampers. Als u niet afgedekte vloeistoffen bewaart, zal de koelkast vaker ontdood moeten worden.
- Zet nooit warm voedsel in het koelvak. Het voedsel moet eerst op kamertemperatuur afkoelen en vervolgens zodanig in de koelkast worden gezet dat er voldoende luchtcirculatie is.

- Levensmiddelen of voedselreceptiënten mogen niet in contact komen met de achterwand van de koelkast, ze kunnen aan de wand vastvriezen. Open de deur van de koelkast niet te vaak.
- Vlees en schone vis (verpakt in een verpakking of plastic folie) kunnen 1 à 2 dagen in de koelkast worden bewaard.
- Groente en fruit zonder verpakking kunnen in de zone worden bewaard dat specifiek bestemd is voor verse groente en fruit.

**OPGELET**

Als u na de initiële ingebruikname van het apparaat te veel voedsel bewaart, kan dit een negatieve impact hebben op de vriesprestaties van de koelkast.

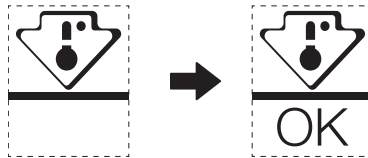
Bewaartijden en -temperatuur

Opmerking: Te lang bewaren of bewaren bij een onjuiste vriestemperatuur kan leiden tot kwaliteitsverlies of bedorven voedsel, wat voedselverspilling veroorzaakt, leiden tot voeding dat oneetbaar is en kan voedselvergiftiging veroorzaken. De minimumtemperatuur moet in de meeste gevallen -18 °C of kouder zijn. Volg de maximale aanbevolen bewaartijden hieronder:

- Stoofpot, ijs, worsten, brood: 2-6 maanden.
- Vis, garnalen, lam, vlees: 4-8 maanden.
- Groenten, fruit, gevogelte, rundvlees: 6-12 maanden.

Koudste zone in de koelkastOPTIONEEL: OK-temperatuurcontrolelampje

- Het OK-temperatuurcontrolelampje kan worden gebruikt om temperaturen onder +4 °C te bepalen. Verlaag de temperatuur geleidelijk als het teken geen 'OK' aangeeft.



- Verander de positie van de plank niet om de temperatuur in dit gebied te garanderen. Bij koelkasten met geforceerde lucht (uitgerust met een ventilator of No Frost-modellen), wordt het symbool van de koudste zone niet weergegeven omdat de temperatuur binnen homogeen is.

Instelling temperatuurcontrolelampje

- Om u te helpen uw koelkast goed in te stellen, is hij uitgerust met een temperatuurcontrolelampje dat de gemiddelde temperatuur in de koudste zone monitort.

**OPGELET**

Dit controlelampje is alleen bedoeld voor gebruik met uw koelkast, gebruik hem niet in een andere koelkast (de koudste zone is namelijk niet hetzelfde) of voor ander gebruik.

De temperatuur in de koudste zone controleren

- Met het temperatuurcontrolelampje kunt u regelmatig nagaan of de temperatuur van de koudste zone correct is. De binnentemperatuur van de koelkast is namelijk afhankelijk van verschillende factoren, zoals de omgevingstemperatuur van de ruimte, de hoeveelheid bewaard voedsel en de frequentie waarmee de deur wordt geopend. Houd rekening met deze factoren bij het instellen van het apparaat.
- Als het controlelampje 'OK' aangeeft, betekent dit dat uw thermostaat goed is afgesteld en dat de binnentemperatuur correct is.
- Als het temperatuurcontrolelampje WIT wordt, betekent dit dat de temperatuur te hoog is; verhoog in dat geval de instelling van de temperatuurregeling van de koelkast en wacht 12 uur voordat u het controlelampje opnieuw visueel controleert. Als er vers voedsel is ingestoken of als de deur open heeft gestaan, kan het zijn dat het temperatuurcontrolelampje na een tijdje WIT wordt.

Reiniging en onderhoud**VOORZICHTIG!**

Spoel niet direct met water of een andere vloeistof tijdens het reinigen om kortsluiting te voorkomen of de elektrische isolatie na onderdompeling niet aan te tasten.

**OPGELET**

Het apparaat moet continu in werking zijn wanneer ingeschakeld. In het algemeen mag de werking van het apparaat niet worden onderbroken, dit kan de levensduur verkorten.

- Haal de stekker van het apparaat uit het stopcontact voordat u routineonderhoud uitvoert. Wacht minstens 5 minuten voordat u het apparaat opnieuw opstart, want vaak starten kan de compressor beschadigen.
- Houd de stekker vast, niet het snoer, wanneer u de stekker uit het apparaat trekt.
- Schraap ijsvorming en ijs niet weg met scherpe voorwerpen. Gebruik geen sprays, elektrische verwarming zoals een kachel, haardroger, stoomreinigers of andere warmtebronnen om schade aan de plastic onderdelen te voorkomen.
- Verwijder ten minste eenmaal per jaar het stof aan de achterkant van het apparaat om brandgevaar en een hoger energieverbruik te voorkomen.
- Controleer de deuropakking regelmatig om er zeker van te zijn dat er geen vuil op zit. Reinig de deuropakking met een zachte doek bevochtigd met zeepwater of een verdund schoonmaakmiddel.

- Maak de binnenkant van het product regelmatig schoon om geurvorming te vermijden.
- Gebruik een zachte doek of spons om de binnenkant van het product schoon te maken, met twee eetlepels zuiveringszout en één liter warm water. Spoel vervolgens met water en veeg schoon. Open na reiniging de deur en laat de koelkast aan de lucht drogen voordat u de stekker in het stopcontact steekt.
- Voor zones die moeilijk te reinigen zijn binnenin het product (zoals nauwe ruimtes, openingen of hoeken) raden wij aan deze regelmatig schoon te vegen met een zachte doek, zachte borstel, etc. en indien nodig met bepaalde hulpmiddelen (zoals een dun stokje) om ervoor te zorgen dat er zich geen vuil of bacteriën in deze zones ophopen.
- Gebruik geen zeep, reinigingsmiddel, schuurpoeder, reinigingspray, etc., deze kunnen geuren in het product achterlaten of het voedsel verontreinigen.
- Veeg de buitenkant van het product schoon met een zachte doek die is bevochtigd met zeepwater, reinigingsmiddel, etc. en veeg vervolgens droog.
- Gebruik geen harde borstels, schuursponsjes, staalborstels, schuurmiddelen (zoals tandpasta), organische oplosmiddelen (zoals alcohol, aceton, bananenolie, etc.), kokend water, zure of alkalische middelen, die de buiten- en buitenkant van de koelkast kunnen beschadigen. Kokend water en organische oplosmiddelen, zoals benzeen, kunnen de plastic onderdelen vervormen of beschadigen.

Ontdooien

Hoewel dit apparaat automatisch ontdooit, kan er een laagje ijs op de binnenwand van het vriesvak waarneembaar zijn wanneer de vriesdeur vaak wordt geopend of te lang open blijft staan. Als de ijslaag te dik is, kies dan een tijdstip waarbij de diepvries bijna leeg is en ga als volgt te werk:

1. Verwijder het aanwezig voedsel en de manden, trek de stekker uit het stopcontact en laat de deuren open. Ventileer de kamer grondig om het dooiproces te versnellen.

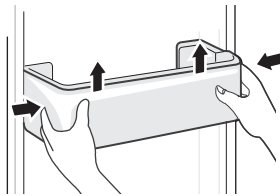
2. Zodra volledig ontdooid, reinig uw vriesvak zoals hierboven beschreven.



VOORZICHTIG! Gebruik geen scherpe voorwerpen om ijsvorming uit de diepvries te verwijderen. Wacht totdat de binnenkant volledig droog is, voordat u de stekker in het stopcontact steekt en het apparaat opnieuw inschakelt.

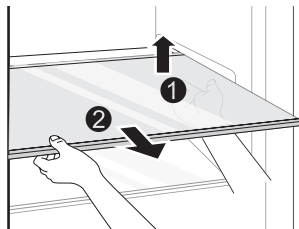
De deurvakken reinigen

- Druk de deurvak met beide handen samen, volgens de richting van de pijlen in de onderstaande figuur, en duw deze omhoog om de lade uit het apparaat te halen.
- Na het reinigen van het deurvak kunt u die opnieuw op uw gewenste hoogte installeren.



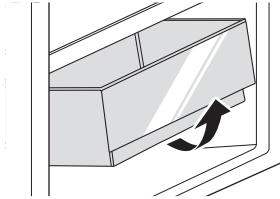
De glazen legplanken reinigen

- Aangezien het achterste gedeelte van de koelkast, waar de legplanken contact met de achterwand maken, van een stop is voorzien, breng de legplanken omhoog voordat u ze verwijdert.
- Pas de legplanken aan of reinig ze zoals u het wilt.



De groentelade schoonmaken

- Haal de inhoud uit de lade. Houd het handvat van de groentelade vast en trek de lade helemaal uit totdat deze stopt.
- Til de groentelade op en trek deze uit het apparaat.

**OPGELET**

Verschillen: Door technische wijzigingen en verschillende modellen kunnen sommige illustraties in deze handleiding afwijken van uw model.

Probleemoplossing

De volgende problemen kunnen eenvoudig door de gebruiker opgelost worden. Neem telefonisch contact op met de klantenservice als het probleem niet opgelost raakt.

Probleem	Mogelijke oorzaken	Oplossing
Werkt niet	<ul style="list-style-type: none"> • De voeding is niet ingeschakeld en de stekker is niet goed ingestoken. • Lage spanning, stroomstoring of deel van het circuit doorgeslagen. 	<ul style="list-style-type: none"> • Steek de stekker van het netsnoer stevig in het stopcontact. • Controleer de stroomvoorziening thuis.
Lampje brandt niet	<ul style="list-style-type: none"> • Het apparaat staat niet aan. • Het lampje is kapot. 	<ul style="list-style-type: none"> • Haal de stekker uit het stopcontact en steek deze er opnieuw in. • Vervang het lampje door een nieuw.
Fruit of groenten zijn bevroren	<ul style="list-style-type: none"> • Is het voedsel achterin de koelkast gelegd? Het gebied bij de achterwand is waar de temperaturen het koudst zijn. • Fruit of groenten worden bewaard in de Fresh/Chill-zone. 	<ul style="list-style-type: none"> • Plaats voedsel dat gemakkelijk kan bevroren niet achterin het koelvak. • De Fresh/Chill-zone is alleen voor vlees/vis.
Overkoeling van koelkast/diepvries	<ul style="list-style-type: none"> • Temperatuurregeling is niet goed ingesteld. 	<ul style="list-style-type: none"> • Stel de temperatuur hoger in.
Compressor werkt lang	<ul style="list-style-type: none"> • Hoge omgevingstemperatuur zorgt voor lange werkduur. • Te veel voedsel tegelijk in plaatsen. • Voedsel wordt erin gestoken voordat het is afgekoeld. • De deur te vaak openen. • De ijslaag binnenin is te dik. 	<ul style="list-style-type: none"> • Dit is normaal. • Steek niet te veel voedsel tegelijkertijd in. • Wacht totdat het voedsel is afgekoeld voordat u het insteekt. • Open de deur niet te vaak. • Moet ontdooien.

Probleem	Mogelijke oorzaken	Oplossing
Deur sluit niet goed	<ul style="list-style-type: none"> • Deur zit vast met voorwerpen. • Er zit te veel voedsel in. • Deurpakking vervormd. 	<ul style="list-style-type: none"> • Steek er niet te veel voedsel in. • Plaats het apparaat stabiel. • Verwarm de deurpakking en koel deze vervolgens af voor herstel (met een elektrische droger of heet water om op te warmen).
Buitenwand heeft warm	<ul style="list-style-type: none"> • Wanneer het apparaat in gebruik is, wordt de warmte via de metalen buizen in de kast naar buiten afgevoerd. • Hogere omgevingstemperaturen in de zomer doen de temperatuur van de buitenwand stijgen. 	<ul style="list-style-type: none"> • Een hogere temperatuur aan de buitenwand is normaal. • Vergroot de ruimte voor warmteafvoer of plaats het apparaat op een geventileerde en koele plaats.
Dwars- of verticale balken zijn warm	<ul style="list-style-type: none"> • Er zitten metalen buizen in de balken en de warmte die vrijkomt uit de buizen voorkomt condensatie. 	<ul style="list-style-type: none"> • Dit is normaal.
Geuren	<ul style="list-style-type: none"> • Bedorven voedsel • Voedsel met sterke geuren • Het binnenvak is vuil. 	<ul style="list-style-type: none"> • Maak schoon en haal bedorven voedsel uit. • Zorg ervoor dat sterk ruikend voedsel luchtdicht is verpakt. • Maak het binnenvak schoon.

Probleem	Mogelijke oorzaken	Oplossing
De werkelijke temperatuur verschilt van de ingestelde temperatuur	<ul style="list-style-type: none"> • Als er warm voedsel in wordt gestoken, zal de temperatuur tijdelijk stijgen. • Na het instellen van een nieuwe temperatuur duurt het even voordat de temperatuur in het vak de ingestelde temperatuur bereikt wanneer de deur niet geopend is. • Na de temperatuurstabiliteit zijn de werkelijke temperaturen op verschillende plaatsen in het vak verschillend, met een afwijking van ongeveer ± 3 °C. 	<ul style="list-style-type: none"> • Dit is normaal. • Wacht enige tijd voordat u de werkelijke temperatuur test.
Condensvorming aan de buitenkant	<ul style="list-style-type: none"> • Als de vochtigheid in de kamer hoog is, kan er condensvorming optreden. 	<ul style="list-style-type: none"> • Dit is normaal. Veeg de condens weg met een droge doek.
Er vormt zich condens in de koelkast en de lades	<ul style="list-style-type: none"> • De koelkast houdt de vochtigheid hoog om groenten en ander voedsel vers te houden. • De vochtigheid in de kamer is te hoog en de deuren zijn vaak geopend. • De deurpakking zit niet strak. 	<ul style="list-style-type: none"> • Veeg de condens weg met een droge doek. • Open de deuren niet zo vaak of houd ze niet te lang open. • Controleer de pakking van de deur, reinig deze of corrigeer de positie.
Ijsvorming rond de ventilatieopeningen	<ul style="list-style-type: none"> • Deur is niet goed dicht. • De deurpakking zit niet strak. 	<ul style="list-style-type: none"> • Zorg ervoor dat voedsel de deur niet blokkeert. • Controleer de pakking van de deur, reinig deze of corrigeer de positie.

Probleem	Mogelijke oorzaken	Oplossing
Moeilijk om de deur te openen	<ul style="list-style-type: none"> • Het verschil in luchtdruk tussen de binnen- en buitenkant van het vak kan het soms moeilijk maken om de deur van de diepvries te openen. 	<ul style="list-style-type: none"> • Wacht even en probeer dan de deur langzaam te openen.
Maakt geen ijsblokjes (Alleen modellen met ijsblokjesmaker)	<ul style="list-style-type: none"> • De functie voor het maken van ijs is niet ingeschakeld. • Het apparaat wordt niet van water voorzien. • Er zitten knikken in de waterleiding. • De aansluiting van de waterleiding is niet correct geïnstalleerd. • Waterdruk is te laag. 	<ul style="list-style-type: none"> • Zet de ijsmaker aan. • Controleer of de watertoevoer open staat. • Haal de knikken eruit. • Controleer de wateraansluiting. • Controleer de druk van de watertoevoer of het filter verstopt is.

Tijdens normaal gebruik van de koelkast kunnen bepaalde geluiden hoorbaar zijn, die geen invloed hebben op de goede werking.

Geluiden, die gemakkelijk kunnen worden voorkomen:

- Geluid veroorzaakt door het apparaat dat niet waterpas staat; pas de positie aan met de verstelbare indraaivoeten aan de voorkant. Plaats eventueel kussentjes van zacht materiaal onder de achterste rollers, vooral als het apparaat op tegels staat.
- Maakt contact met aangrenzend meubelstuk; verplaats de koelkast verder weg.
- Kraken van de laden of planken; haal de lade of plank uit en plaats deze terug.
- Geluiden van rinkelende flessen; verplaats de flessen verder uit elkaar.

Geluiden die bij normaal gebruik hoorbaar zijn, zijn voornamelijk het gevolg van de werking van de compressor (inschakelen) en het koelsysteem (thermische uitzetting en inkrimping van de radiator door de stroming van het koelmiddel).

¡Muchas gracias!

Muchas gracias por haber elegido nuestro producto VALBERG. Seleccionados, testados y recomendados por ELECTRO DEPOT, los productos de la marca VALBERG le aseguran una utilización sencilla, un rendimiento fiable y una calidad incuestionable.

Con este dispositivo puede estar seguro de que siempre quedará satisfecho al utilizarlo. Le damos la bienvenida a ELECTRO DEPOT.

Visite nuestra página web: www.electrodepot.es



ELECTRO DEPOT

72

ES

A

**Descripción del
aparato**

Partes

B

**Utilización del
aparato**

Instrucciones de instalación
Instrucciones de uso

C

**Limpieza y
mantenimiento**

Limpieza y mantenimiento
Solución de problemas

Partes

- A** Luz LED
- B** Estantes de cristal del frigorífico
- C** Panel de control de la temperatura
- D** Cajón para frutas y verduras
- E** Cajón de almacenamiento
- F** Cajón
- G** Bandeja de la puerta

Para el uso más eficiente de la energía, mantenga todos los elementos interiores, como las bandejas, los cajones, los estantes y la cubitera, en la posición proporcionada por el fabricante.



ATENCIÓN

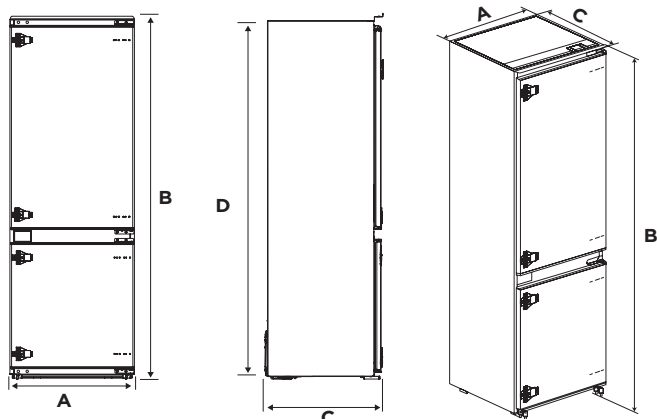
Diferencias: Debido a los cambios técnicos y a los diferentes modelos, algunas de las ilustraciones de este manual pueden diferir de su modelo.

Instrucciones de instalación

Antes del primer uso

- Retire el embalaje exterior e interior, limpie bien el exterior con un paño suave y seco, y el interior con un paño humedecido con agua tibia.
- Antes de conectar su frigorífico a la toma de corriente, compruebe que el voltaje indicado en la placa de especificaciones de su aparato coincide con el voltaje de la instalación eléctrica de su vivienda. Un voltaje diferente podría dañar el aparato.
- El aparato deberá estar conectado a tierra. El fabricante no se hace responsable de los daños que puedan producirse como resultado del uso sin conexión a tierra.

Diagrama de requisitos de espacio



A	B	C	D
540 mm	1785 mm	510 mm	1770 mm

Temperatura ambiente

- Dependiendo de la clase climática, este frigorífico está diseñado para ser utilizado en el rango de temperatura ambiente especificado en la siguiente tabla.
- Es posible que el producto no funcione correctamente a temperaturas que estén fuera del rango especificado.
- Encontrará la clase climática en la etiqueta del producto.

Clase climática	Temperatura ambiente
SN	+10 °C a +32 °C
N	+16 °C a +32 °C
ST	+16 °C a +38 °C
T	+16 °C a +43 °C

Si tiene alguna duda sobre la instalación, consulte al proveedor, a nuestro servicio de atención al cliente o al centro de servicio técnico autorizado más cercano.



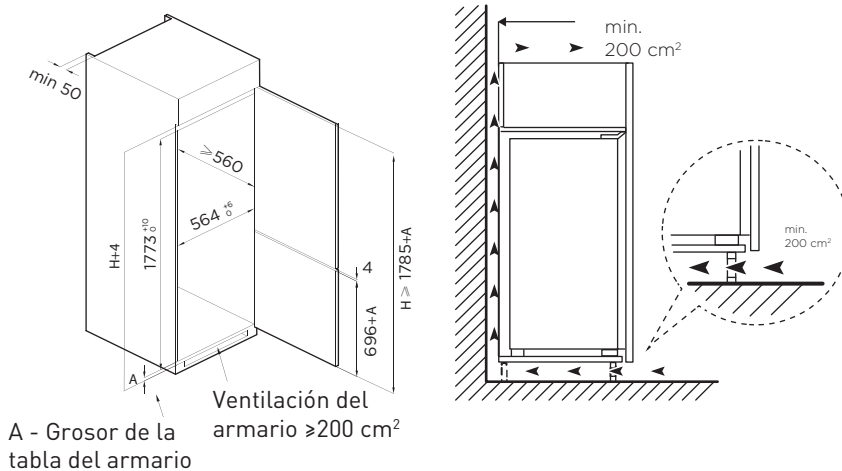
ATENCIÓN

La potencia frigorífica y el consumo de energía del frigorífico pueden verse afectados por la temperatura ambiente, la frecuencia con la que se abra la puerta y la ubicación del frigorífico. Recomendamos ajustar los valores de temperatura según convenga.

Instalación en un armario

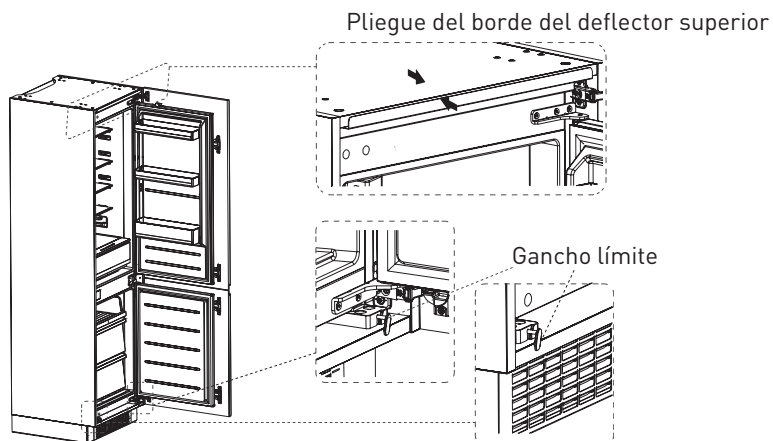
Pasos:

1. Requisitos de dimensiones del armario.

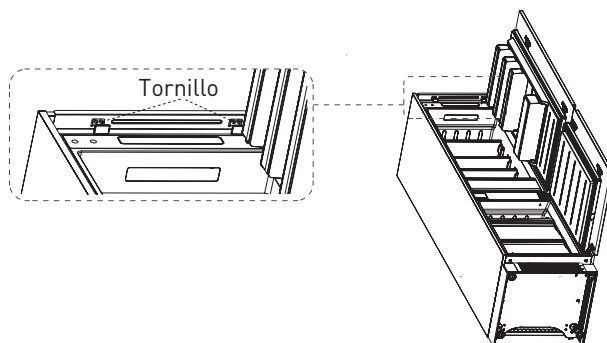


2. Empuje el frigorífico dentro del armario y ajústelo para asegurarse de que el borde del deflector superior toque completamente el borde superior del armario, y el gancho límite de la pata de soporte toque completamente el borde inferior del armario.

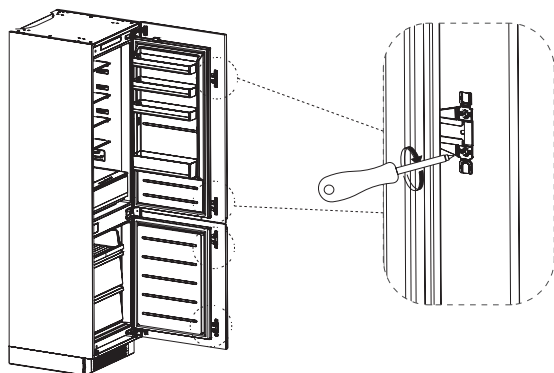
3. Fije la pata de soporte con tornillos y, después, coloque las tapas de los tornillos.



4. Fije el deflector superior a la parte superior del interior del armario con tornillos y, después, coloque las tapas de los tornillos.



5. Abra la puerta inferior del armario hasta el ángulo máximo y abra la puerta inferior del frigorífico hasta la posición correspondiente. Deslice el bloque para asegurarse de que el borde interior se alinee con el borde inferior de la puerta del frigorífico, luego fije el bloque a la puerta del armario con tornillos y coloque las tapas de los tornillos. Fije la puerta superior del frigorífico a la puerta del armario de la misma manera. Cambie la posición fija de la pata ajustable y la bisagra inferior y, después, fíjelas de nuevo.



6. Saque la tira de sellado de la bolsa de accesorios y presiónela en el espacio entre el armario y el frigorífico. Ya ha completado la instalación.

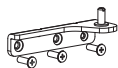


ATENCIÓN

Precauciones antes de la instalación: La información incluida en el Manual de instrucciones se proporciona solamente como referencia. El producto físico puede diferir. Antes de instalar y ajustar los accesorios, asegúrese de que el frigorífico está desconectado de la corriente eléctrica.

Revertir las puertas

Piezas ya montadas en el frigorífico (tal como se envían):



R: Bisagra inferior



Tapa del orificio



R: Bisagra superior



Bloque fijo



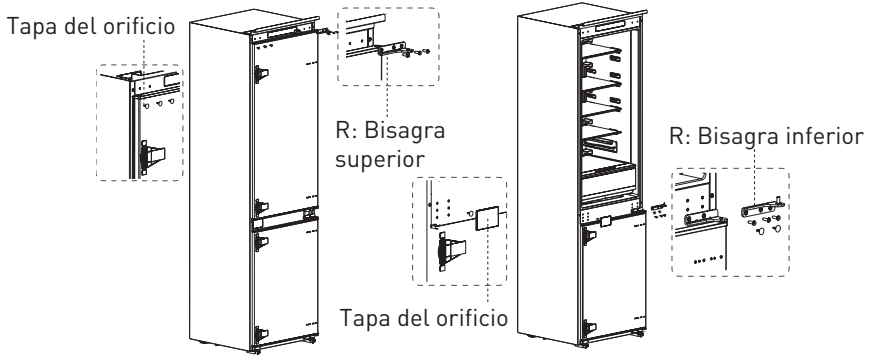
F: Bisagra superior



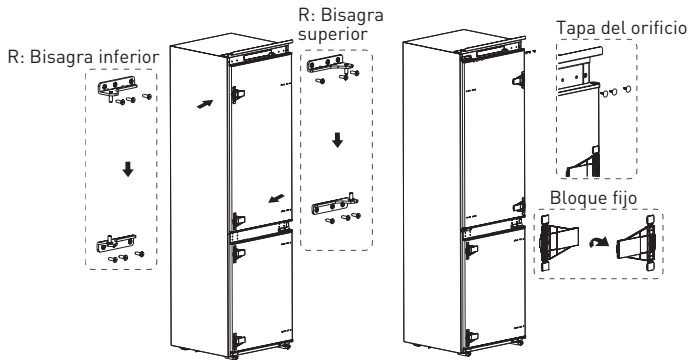
F: Bisagra inferior

Pasos:

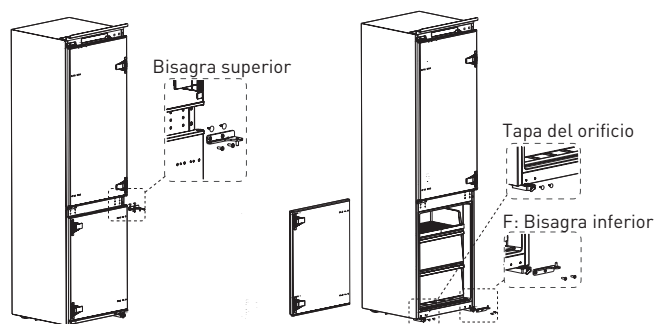
1. Apague el frigorífico y retire todos los objetos de las bandejas de la puerta.
2. Retire la bisagra superior y las tapas de los orificios de la puerta del frigorífico.
3. Retire la puerta del frigorífico, la bisagra inferior y la tapa del orificio.



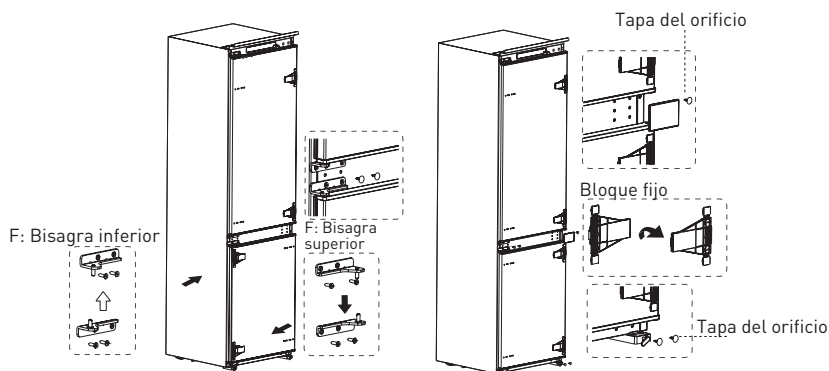
4. Cambie la R: bisagra inferior y la R: bisagra superior, luego instélaslas siguiendo los pasos que se describen a continuación e instale las tapas de los orificios superiores.
5. Retire los dos bloques fijos de la puerta del frigorífico y gírelos 180° e instélos al otro lado de la puerta del frigorífico.



6. Quite la bisagra superior de la puerta del congelador y el pasador de enchufe.
7. Retire la puerta del congelador, la bisagra inferior y las tapas de los orificios.



8. Cambie la F: bisagra inferior y la F: bisagra superior, luego instélaslas siguiendo los pasos que se describen a continuación e instale la tapa del orificio superior y las tapas de los orificios inferiores.
9. Retire los dos bloques fijos de la puerta del congelador y gírelos 180° e instélos al otro lado de la puerta del congelador.



10. La imagen después de la finalización se muestra a continuación.



ATENCIÓN

Diferencias: Debido a los cambios técnicos y a los diferentes modelos, algunas de las ilustraciones de este manual pueden diferir de su modelo.

Mover el aparato

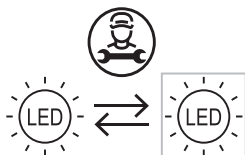
1. Retire todos los elementos del aparato.
2. Extraiga el enchufe de alimentación, insértelo y fíjelo en el gancho del enchufe de alimentación situado en la parte trasera o superior del aparato.
3. Sujete con cinta adhesiva piezas como los estantes y la puerta para evitar que se caigan al mover el aparato.

4. Mueva el aparato con más de dos personas con cuidado. Cuando transporte el aparato a larga distancia, manténgalo en posición vertical.

Cambiar la luz

Cualquier sustitución o mantenimiento de las lámparas LED deberá realizarlo el fabricante, su agente de servicio técnico o un técnico cualificado similar.

- Este producto contiene una fuente de luz de clase de eficiencia energética (F).
- La fuente de luz de este producto solo puede ser sustituida por un técnico cualificado.
- Póngase en contacto con el servicio de posventa si falla la fuente de luz.
- La fuente de luz deberá sacarse al final de la vida útil del producto, y la clasificación y el reciclado se harán por separado.



ATENCIÓN

Después de conectar el cable (o el enchufe) de alimentación a la toma de corriente, espere 2 ó 3 horas antes de introducir alimentos en el aparato. Si introduce alimentos antes de que el aparato se haya enfriado completamente, estos podrían estropearse.

Consejos para ahorrar energía

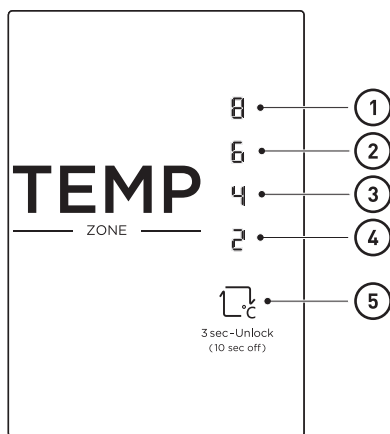
- No coloque el aparato cerca de cocinas, radiadores u otras fuentes de calor. Si la temperatura ambiente es alta, el compresor funcionará con mayor frecuencia y durante más tiempo, lo que provocará un mayor consumo de energía.
- Asegúrese de que haya suficiente ventilación en la base, los laterales y la parte trasera del aparato.
- Tenga en cuenta también las dimensiones de los espacios libres del capítulo "Instalación".
- La disposición de los cajones, los estantes y las bandejas que aparece en la descripción general del producto muestra el mejor uso desde el punto de vista energético y deberá mantenerse dicha disposición en la medida de lo posible.
- Para obtener un mayor espacio de almacenamiento (por ejemplo, para productos refrigerados/congelados de gran tamaño), se pueden retirar los estantes y los cajones centrales. Los cajones y estantes superiores e inferiores deberán retirarse en último lugar si es necesario.
- Si llena el compartimento del frigorífico/congelador de forma uniforme, contribuirá a un uso óptimo de la energía.
- Deje que los alimentos calientes se enfríen antes de introducirlos en el compartimento del frigorífico/congelador. Los alimentos ya enfriados aumentan la eficiencia energética.
- Deje que los alimentos congelados se descongelen en el compartimento del frigorífico. El frío de los alimentos congelados reduce el consumo de energía en el compartimento del frigorífico y, de esta forma, aumenta la eficiencia energética.

- Abra la puerta solamente durante el tiempo mínimo necesario para minimizar la pérdida de frío. Abrir la puerta durante poco tiempo y cerrarla correctamente reduce el consumo de energía.
- Ajustar la temperatura no más fría de lo necesario contribuye a un uso óptimo de la energía.
- Las juntas de las puertas del aparato deberán estar perfectamente intactas para que las puertas cierren correctamente y no aumente innecesariamente el consumo de energía.

Instrucciones de uso

Uso y funciones

Panel de funciones



Pantalla de visualización

- | | |
|------------------|------------------|
| ① Ajuste 1: 8 °C | ③ Ajuste 3: 4 °C |
| ② Ajuste 2: 6 °C | ④ Ajuste 4: 2 °C |

Botón

- ⑤ Botón de ajuste (botón de ajuste de la temperatura del compartimento del frigorífico)



ATENCIÓN

El panel de control real puede variar de un modelo a otro.

Pantalla

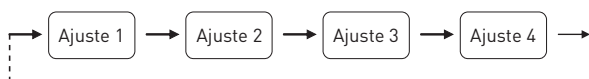
- Una vez se encienda inicialmente, la pantalla de visualización estará totalmente encendida durante 3 seg. y, después, el frigorífico funcionará según el ajuste 3.
- Pantalla de funcionamiento normal.
- En caso de fallo, parpadeará la luz LED correspondiente.
- En el caso de que no haya fallos, mostrará el ajuste de temperatura real del frigorífico.

Código de error	Descripción del problema
Indicador ajuste 1	Circuito del sensor de temperatura del frigorífico
Indicador ajuste 2	Sensor de descongelación del frigorífico
Indicador ajuste 3	Sensor de descongelación del congelador
Indicador ajuste 4	Sensor de temperatura ambiente

Ajuste de la temperatura

Cada vez que se pulse una vez el botón de ajuste de la temperatura "5", el ajuste de la temperatura cambiará una vez. Una vez completado el ajuste de la temperatura, el frigorífico funcionará según el valor establecido después de 30 segundos.

La secuencia de cambio de ajuste es:



Ajuste recomendado: Cámara frigorífica a 4 °C.

Ajuste del termostato para T°C ambiente : NORMAL $\approx +24^{\circ}\text{C}$ ($\pm 4^{\circ}\text{C}$)	4°C
Ajuste del termostato para T°C ambiente : FRIO $\approx +16^{\circ}\text{C}$ ($\pm 4^{\circ}\text{C}$)	4°C
Ajuste del termostato para T°C ambiente : CALIENTE $\approx +32^{\circ}\text{C}$ ($\pm 4^{\circ}\text{C}$)	4°C

Modo Supercongelación

Pulse el botón "5" durante 3 seg. y se activará el modo Supercongelación.

Cuando vuelva a pulsar el botón, saldrá de este modo. Si no pulsa el botón en el Modo Supercongelación, saldrá de este modo automáticamente en 20 horas.

Bloqueo/desbloqueo

Cuando el panel de control de la temperatura esté en el estado bloqueado, tendrá que mantener pulsado el botón de ajuste de la temperatura durante 3 segundos para desbloquear el panel, todas las luces LED parpadearán durante 2 segundos cuando se desbloquee el panel.

Cuando el panel de control de la temperatura esté en el estado desbloqueado, si no se realiza ninguna operación en el panel de control en 30 segundos, entrará automáticamente en el estado bloqueado.

Función de apagado

1. Modo de entrada: En el estado desbloqueado, pulse el botón SET durante 10 seg. (cuando la pantalla y el control del frigorífico estén apagados, el botón SET surtirá efecto cuando se suelte el botón). Después de 30 seg., el frigorífico entrará en el modo de función de apagado, todas las luces se apagarán y la pantalla y el control del frigorífico se apagarán en el modo apagado.
2. Método de salida: En el modo apagado, pulse el botón SET para salir del modo apagado y el frigorífico volverá al control normal.

Conservación de los alimentos

Compartimento del congelador

- El compartimento del congelador está destinado a congelar alimentos a baja temperatura, almacenar a largo plazo alimentos congelados y producir cubitos de hielo.
- Preste atención a las clasificaciones por estrellas (4 estrellas, 2 estrellas y 1 estrella) en el compartimento del congelador y los periodos de almacenamiento correspondientes de los alimentos congelados.
- No coloque alimentos frescos junto a alimentos congelados. Los alimentos congelados podrían descongelarse.
- Cuando congele grandes cantidades de alimentos frescos (como carne, pescado o carne picada), divídalos en varios trozos pequeños antes de introducirlos, para que puedan congelarse rápidamente y cogerse fácilmente.
- Cumpla los tiempos de almacenamiento recomendados por los fabricantes de alimentos indicados en los paquetes; si no hay información en el envase, los alimentos no deberán almacenarse congelados durante más de tres meses a partir de la fecha de compra.
- Cuando compre alimentos congelados, asegúrese de que se hayan congelado a una temperatura adecuada y de que el envase no esté dañado.
- Los alimentos congelados deberán conservarse en envases individuales adecuados para garantizar que los alimentos adyacentes no puedan contaminarse. Consuma los alimentos descongelados inmediatamente, no los vuelva a congelar.
- En el caso de interrupción prolongada del suministro eléctrico o mal funcionamiento del aparato, saque los alimentos congelados almacenados y compruebe si se siguen pudiendo consumir, y guárdelos en un lugar lo suficientemente fresco o en otro aparato.
- Para descongelar los alimentos, sáquelos del congelador y deje que se descongelen a temperatura ambiente o en el frigorífico. Para descongelar los alimentos rápidamente, puede utilizar la función de descongelación en su microondas, por ejemplo.
- Si solo desea descongelar parte de un paquete, saque la porción que necesita y cierre inmediatamente el resto del paquete. De esta manera, evitará "quemaduras por congelación" y reducirá la formación de hielo en los alimentos restantes.

Compartimento del frigorífico

- Para reducir la humedad y la consiguiente formación de hielo, nunca introduzca líquidos en el compartimento del frigorífico en recipientes que no sean herméticos. El hielo tiende a concentrarse en las partes más frías del evaporador. Si almacena líquidos sin taponar, necesitará descongelar con mayor frecuencia.
- Nunca introduzca alimentos calientes en el compartimento del frigorífico. Primero deberán enfriarse a temperatura ambiente y, después, deberán colocarse en el compartimento del frigorífico de manera que se garantice una adecuada circulación del aire.

- Los alimentos o los recipientes de alimentos no deberán tocar la pared trasera del frigorífico, ya que podrían congelarse en la pared. No abra la puerta del frigorífico con frecuencia.
- La carne y el pescado limpio (envasados en un paquete o en una lámina de plástico) pueden guardarse en el compartimento del frigorífico y utilizarse en 1-2 días.
- Las frutas y verduras sin envasar pueden colocarse en la parte destinada a las frutas y verduras frescas.



ATENCIÓN

Almacenar demasiados alimentos durante el funcionamiento tras la conexión inicial a la corriente eléctrica puede afectar negativamente al efecto de congelación del frigorífico.

Tiempos de almacenamiento y temperatura



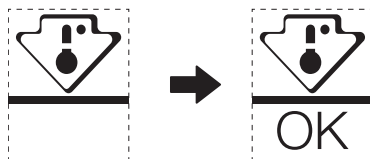
Nota: El almacenamiento durante mucho tiempo o a una temperatura de congelación inadecuada puede causar una pérdida de calidad o alimentos estropeados, lo que provoca desperdicio de alimentos, que no se puedan consumir e, incluso, intoxicaciones alimentarias. La temperatura mínima en la mayoría de los casos deberá ser de $-18\text{ }^{\circ}\text{C}$ o más fría. Cumpla los tiempos máximos de almacenamiento recomendados que se indican a continuación:

- Guisos, helados, salchichas, pan: 2-6 meses.
- Pescados, gambas, cordero, carne: 4-8 meses.
- Verduras, frutas, aves, carne de vacuno: 6-12 meses.

Zona más fría del frigorífico.

OPCIONAL: Indicador de temperatura OK

- El indicador de temperatura OK se puede utilizar para determinar temperaturas por debajo de $+4\text{ }^{\circ}\text{C}$. Reduzca gradualmente la temperatura si el símbolo no indica "OK".



- Para asegurar la temperatura en esta zona, no cambie la posición del estante. En los frigoríficos de aire forzado (equipados con un ventilador o modelos No Frost), el símbolo de la zona más fría no se representa porque la temperatura interior es homogénea.

Ajuste del indicador de temperatura

- Para ayudarle a ajustar correctamente su frigorífico, este está equipado con un indicador de temperatura que monitorizará la temperatura media en la zona más fría.

**ATENCIÓN**

Este indicador está diseñado para funcionar solo con su frigorífico, no lo use en otro frigorífico (de hecho, la zona más fría no es la misma) ni para ningún otro uso.

Comprobación de la temperatura en la zona más fría

- Con el indicador de temperatura, puede comprobar regularmente que la temperatura de la zona más fría sea la correcta. De hecho, la temperatura interior del frigorífico depende de varios factores, como la temperatura ambiente de la habitación, la cantidad de alimentos almacenados y la frecuencia de apertura de la puerta. Tenga en cuenta estos factores cuando ajuste el aparato.
- Cuando el indicador muestre «OK», significará que su termostato está bien ajustado y que la temperatura interior es correcta.
- Si el indicador de temperatura se vuelve BLANCO, significará que la temperatura es demasiado alta; en ese caso, aumente el ajuste del control de la temperatura del frigorífico y espere 12 horas antes de realizar una nueva inspección visual del indicador. Cuando se han introducido alimentos frescos o se ha dejado la puerta abierta, es posible que el indicador de temperatura se vuelva BLANCO después de un tiempo.

Limpieza y mantenimiento



¡PRECAUCIÓN!

No aclare directamente con agua u otros líquidos durante la limpieza para evitar cortocircuitos o afectar al aislamiento eléctrico tras la inmersión.



ATENCIÓN

El aparato deberá funcionar de forma continua una vez se haya puesto en marcha. Por lo general, no se deberá interrumpir el funcionamiento del aparato; de lo contrario, podría verse afectada su vida útil.

- Desconecte el aparato de la toma de corriente antes de realizar cualquier mantenimiento rutinario. Espere al menos 5 minutos antes de reiniciar el aparato, ya que el arranque frecuente puede dañar el compresor.
- Sujete el enchufe, no el cable, cuando desenchufe el aparato.
- No raspe la escarcha y el hielo con objetos afilados. Para evitar dañar las partes de plástico, no utilice aerosoles, calentadores eléctricos como calefactores, secadores de pelo, limpiadores de vapor ni ninguna otra fuente de calor.
- Elimine el polvo de la parte trasera del aparato al menos una vez al año para evitar el peligro de incendio y un mayor consumo de energía.
- Compruebe regularmente la junta de la puerta para asegurarse de que no haya residuos. Limpie la junta de la puerta con un paño suave humedecido con agua jabonosa o detergente diluido.

- El interior del producto deberá limpiarse con regularidad para evitar olores.
- Utilice un paño suave o una esponja para limpiar el interior del producto, con dos cucharadas de bicarbonato y un litro de agua tibia. A continuación, aclárelo con agua y límpielo con un paño. Después de limpiarlo, abra la puerta y deje que se seque de forma natural antes de conectar la alimentación.
- Para las zonas difíciles de limpiar del interior del producto (como lugares estrechos, huecos o rincones), recomendamos limpiarlas regularmente con un trapo suave, un cepillo suave, etc.; y cuando sea necesario, con algunas herramientas (como palillos finos) para garantizar que no haya acumulación de bacterias ni contaminantes en esas zonas.
- No utilice jabón, detergente, detergente en polvo, limpiador en aerosol, etc., ya que pueden causar olores en el interior del producto o contaminar los alimentos.
- Limpie la superficie exterior del producto con un paño suave humedecido con agua jabonosa, detergente, etc., y luego séquela.
- No utilice cepillos duros, estropajos metálicos, cepillos de alambre, productos abrasivos (como pasta de dientes), disolventes orgánicos (como alcohol, acetona, aceite de plátano, etc.), agua hirviendo ni productos ácidos o alcalinos, ya que podrían dañar la superficie y el interior del frigorífico. El agua hirviendo y los disolventes orgánicos como el benceno pueden deformar o dañar las piezas de plástico.

Descongelación

Aunque este aparato se descongela automáticamente, puede formarse una capa de escarcha en las paredes interiores del compartimento del congelador si la puerta del congelador se abre frecuentemente o se mantiene abierta demasiado tiempo. Si la escarcha es demasiado gruesa, elija un momento en el que haya almacenada poca comida y proceda como se indica a continuación:

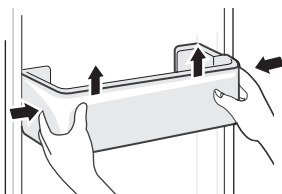
1. Retire las cestas de alimentos y accesorios existentes, desenchufe el aparato de la corriente eléctrica y deje las puertas abiertas. Ventile bien la habitación para acelerar el proceso de descongelación.
2. Cuando ya no haya escarcha, limpie el congelador como se indica más arriba.



¡PRECAUCIÓN! No utilice objetos afilados para eliminar la escarcha del congelador. No deberá volver a conectar a la toma de corriente y encender el aparato hasta que su interior esté completamente seco.

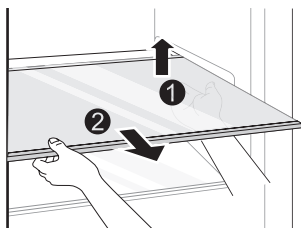
Limpieza de la bandeja de la puerta

- Siguiendo la dirección de las flechas de la siguiente figura, utilice ambas manos para apretar la bandeja y empujarla hacia arriba, después podrá sacarla.
- Una vez lavada la bandeja extraída, podrá ajustar su altura de instalación según sus necesidades.



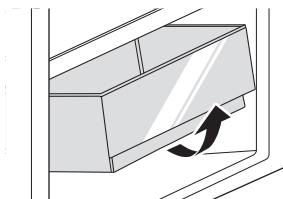
Limpieza de los estantes de cristal

- Como la parte más interna del revestimiento del frigorífico, donde entran en contacto los estantes, tiene un tope trasero, deberá levantar los estantes hacia arriba para poder sacarlos.
- Ajuste o limpie los estantes según sus necesidades.



Limpieza del cajón para verduras

- Retire el contenido del cajón. Sujete el asa del cajón para verduras y tire de ella completamente hasta que se detenga.
- Levante el cajón para verduras y sáquelo tirando de él.



ATENCIÓN

Diferencias: Debido a los cambios técnicos y a los diferentes modelos, algunas de las ilustraciones de este manual pueden diferir de su modelo.

Solución de problemas

El usuario puede ocuparse de los siguientes sencillos problemas. Si los problemas no se solucionan, llame al servicio de posventa.

Problema	Posibles causas	Solución
No funciona	<ul style="list-style-type: none"> • No se ha encendido la alimentación y el enchufe no está firmemente insertado. • Baja tensión, fallo de corriente o se ha disparado parte del circuito. 	<ul style="list-style-type: none"> • Inserte el enchufe del cable de alimentación firmemente. • Compruebe si funciona la corriente eléctrica de su vivienda.
La luz no se enciende	<ul style="list-style-type: none"> • El aparato no está encendido. • La luz está defectuosa. 	<ul style="list-style-type: none"> • Desenchufe y vuelva a enchufar el cable de alimentación. • Sustituya la luz por una nueva.

Problema	Posibles causas	Solución
Las frutas o verduras se congelan	<ul style="list-style-type: none"> • ¿Se han colocado los alimentos en la parte trasera del frigorífico? La zona cercana a la pared trasera es donde las temperaturas son más frías. • Las frutas o verduras se almacenan en la zona Fresco/Frío. 	<ul style="list-style-type: none"> • No coloque alimentos que puedan congelarse fácilmente en la parte trasera del compartimento del frigorífico. • La zona Fresco/Frío es solo para la carne y el pescado.
El frigorífico/ congelador enfría demasiado	<ul style="list-style-type: none"> • El control de la temperatura no está ajustado correctamente. 	<ul style="list-style-type: none"> • Ajuste una temperatura más alta.
El compresor funciona durante mucho tiempo	<ul style="list-style-type: none"> • La alta temperatura ambiente está provocando que funcione durante mucho tiempo. • Se han introducido demasiados alimentos a la vez. • Se han introducido alimentos antes de que se hayan enfriado. • Se ha abierto la puerta con demasiada frecuencia. • La capa de escarcha en el interior es demasiado gruesa. 	<ul style="list-style-type: none"> • Esto es normal. • No introduzca demasiados alimentos a la vez. • Espere a que la comida se haya enfriado antes de introducirla. • No abra la puerta con demasiada frecuencia. • Se necesita descongelar.
La puerta no se cierra correctamente	<ul style="list-style-type: none"> • La puerta se atasca con algún objeto. • Se han introducido demasiados alimentos. • La junta de la puerta está deformada. 	<ul style="list-style-type: none"> • No introduzca demasiados alimentos. • Coloque el aparato de forma que quede estable. • Caliente la junta de la puerta y luego enfríela para restaurarla (utilice un secador de pelo o agua caliente para calentarla).

Problema	Posibles causas	Solución
La pared exterior está caliente	<ul style="list-style-type: none"> • Cuando el aparato está funcionando, el calor se disipa al exterior a través de los tubos metálicos del interior del cuerpo del aparato. • Las altas temperaturas ambiente en verano hacen que aumente la temperatura de la pared exterior. 	<ul style="list-style-type: none"> • Una temperatura más alta en la pared exterior es normal. • Aumente el espacio de disipación del calor o coloque el aparato en un lugar ventilado y fresco.
Las barras transversales o verticales están calientes	<ul style="list-style-type: none"> • Hay tubos metálicos dentro de las barras, y el calor liberado de los tubos evita la condensación. 	<ul style="list-style-type: none"> • Esto es normal.
Olores	<ul style="list-style-type: none"> • Comida estropeada • Alimentos con olores fuertes • El compartimento interior está sucio. 	<ul style="list-style-type: none"> • Limpie y retire cualquier alimento estropeado. • Asegúrese de que los alimentos con olores fuertes estén sellados herméticamente. • Limpie el compartimento interior.

Problema	Posibles causas	Solución
La temperatura real difiere de la temperatura ajustada	<ul style="list-style-type: none"> • Cuando se introduzca comida caliente, la temperatura aumentará temporalmente. • Después de ajustar una nueva temperatura, pasará un tiempo hasta que la temperatura del compartimento alcance la temperatura ajustada cuando la puerta no se abra. • Después de que se establezca la temperatura, las temperaturas reales en las diferentes zonas del compartimento serán diferentes, con una variación de aproximadamente ± 3 °C. 	<ul style="list-style-type: none"> • Esto es normal. • Espere un tiempo antes de comprobar la temperatura real.
Se ha formado condensación en el exterior	<ul style="list-style-type: none"> • Se puede formar condensación cuando la humedad en la habitación es alta. 	<ul style="list-style-type: none"> • Esto es normal. Limpie la condensación con un paño seco.
Se ha formado condensación en el interior del frigorífico y los cajones	<ul style="list-style-type: none"> • El frigorífico mantiene una alta humedad para mantener frescas las verduras y otros alimentos. • La humedad en la habitación es demasiado alta y las puertas se han abierto con frecuencia. • La junta de la puerta no está apretada. 	<ul style="list-style-type: none"> • Limpie la condensación con un paño seco. • No abra las puertas con tanta frecuencia o no las mantenga abiertas demasiado tiempo. • Compruebe la junta de la puerta para asegurarse de que está limpia y en su posición correcta.
Hay escarcha alrededor de las ranuras de ventilación	<ul style="list-style-type: none"> • La puerta no está bien cerrada. • La junta de la puerta no está apretada. 	<ul style="list-style-type: none"> • Asegúrese de que no haya alimentos que bloqueen la puerta. • Compruebe la junta de la puerta para asegurarse de que está limpia y en su posición correcta.

Problema	Posibles causas	Solución
Es difícil abrir la puerta	<ul style="list-style-type: none"> • La diferencia de la presión de aire entre el interior y el exterior del compartimento puede dificultar a veces la apertura de la puerta del congelador. 	<ul style="list-style-type: none"> • Espere unos instantes y luego intente abrir la puerta lentamente.
No produce cubitos de hielo (solo modelos con máquina de hielo)	<ul style="list-style-type: none"> • La función de hacer cubitos de hielo no está activada. • El aparato no recibe agua. • El tubo de agua tiene dobleces. • La instalación de la conexión del tubo de agua es incorrecta. • La presión del agua es demasiado baja. 	<ul style="list-style-type: none"> • Encienda la máquina de hielo. • Compruebe si la toma de agua está abierta. • Enderece las dobleces. • Compruebe las conexiones de agua. • Compruebe la presión del suministro de agua o si el filtro está obstruido.

Se pueden escuchar ciertos sonidos durante el uso normal del frigorífico, lo cual no afecta a su correcto funcionamiento.

Sonidos que se pueden evitar fácilmente:

- Ruido causado por el aparato porque no está nivelado: ajuste la posición con las patas delanteras giratorias ajustables. Alternativamente, puede colocar almohadillas de un material blando debajo de los rodillos traseros, especialmente cuando el aparato esté colocado sobre baldosas.
- El aparato está tocando alguna parte del mueble adyacente: aleje el frigorífico.
- Se oyen crujidos de los cajones o los estantes: saque y vuelva a colocar el cajón o estante.
- Se oyen sonidos de tintineo de botellas: separe las botellas.

Los sonidos que se escuchan durante el uso normal se deben principalmente al funcionamiento del compresor (encendido) y del sistema de refrigeración (expansión y contracción térmicas del radiador causadas por el flujo del agente refrigerante).

WARRANTY CONDITIONS

EN

This product is guaranteed against faults caused by defects in manufacturing or the materials used for a period of two years, starting from the date of purchase.* This warranty does not cover defects or damage caused by failure to install the device correctly, incorrect use of the product, or excessive wear and tear.

*proof of purchase required.

CONDITION DE GARANTIE

FR

Ce produit est garanti pour une période de 2 ans à partir de la date d'achat*, contre toute défaillance résultant d'un vice de fabrication ou de matériau. Cette garantie ne couvre pas les vices ou les dommages résultant d'une mauvaise installation, d'une utilisation incorrecte ou de l'usure anormale du produit.

*sur présentation du ticket de caisse.

GARANTIEVOORWAARDEN

NL

Dit product wordt gegarandeerd voor een periode van 2 jaar vanaf de aankoopdatum*, voor elke storing die het gevolg is van een fabricagefout of het materiaal. Gebreken of schade door slechte installatie, onjuist gebruik of abnormale slijtage van het product worden niet gedekt door deze garantie.

*op vertoon van kassabon.

CONDICIONES DE GARANTÍA

ES

El certificado de garantía de este producto tiene una duración de 2 años a partir de la fecha de compra* que se limita a los defectos de fabricación y averías del material. Se excluyen de la garantía deficiencias o daños originados por una mala instalación, errores en la manipulación o por un uso inadecuado.

*previa presentación del comprobante de compra.

ELECTRO DEPOT

1 route de Vendeville

59155 FACHES-THUMESNIL - FRANCE

