

EN WARRANTY CONDITIONS
 This product is guaranteed against faults caused by defects in manufacturing or the materials used for a period of two years, starting from the date of purchase.* This warranty does not cover defects or damage caused by failure to install the device correctly, incorrect use of the product, or excessive wear and tear.
 *proof of purchase required.

FR CONDITION DE GARANTIE
 Ce produit est garanti pour une période de 2 ans à partir de la date d'achat*, contre toute défaillance résultant d'un vice de fabrication ou de matériau. Cette garantie ne couvre pas les vices ou les dommages résultant d'une mauvaise installation, d'une utilisation incorrecte ou de l'usure anormale du produit.
 *sur présentation du ticket de caisse.

NL GARANTIEVOORWAARDEN
 Dit product wordt gegarandeerd voor een periode van 2 jaar vanaf de aankoopdatum*, voor elke storing die het gevolg is van een fabricagefout of het materiaal. Gebreken of schade door slechte installatie, onjuist gebruik of abnormale slijtage van het product worden niet gedekt door deze garantie.
 *op vertoon van kassabon.

ES CONDICIONES DE GARANTÍA
 El certificado de garantía de este producto tiene una duración de 2 años a partir de la fecha de compra* que se limita a los defectos de fabricación y averías del material. Se excluyen de la garantía deficiencias o daños originados por una mala instalación, errores en la manipulación o por un uso inadecuado.
 *previa presentación del comprobante de compra.

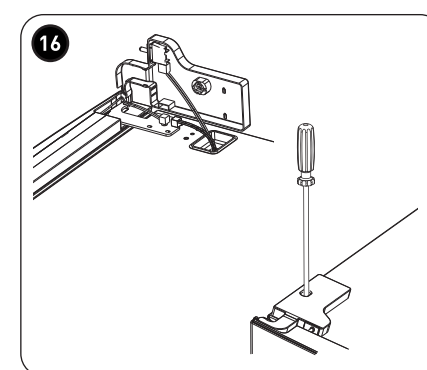
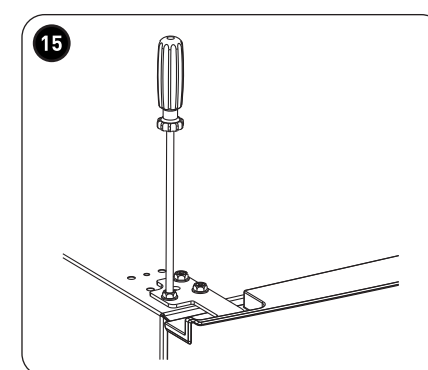
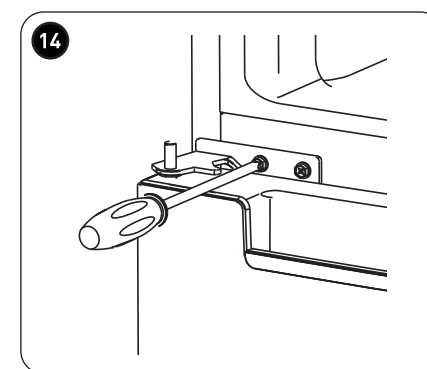
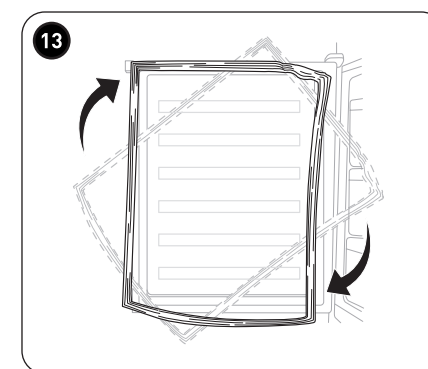
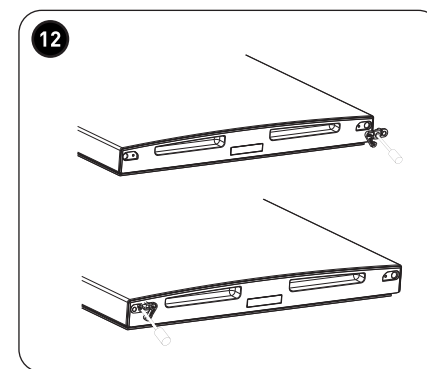
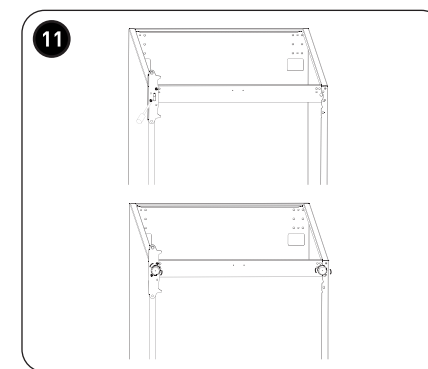
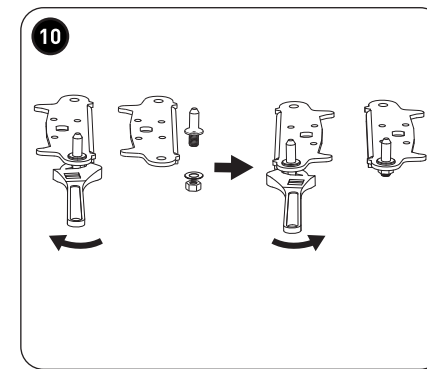
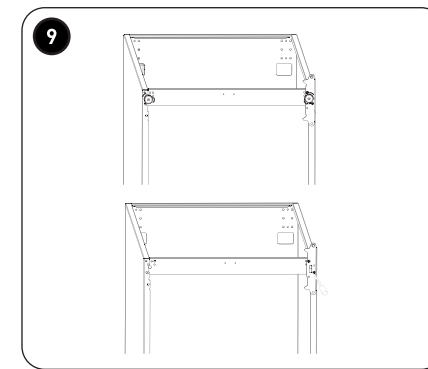
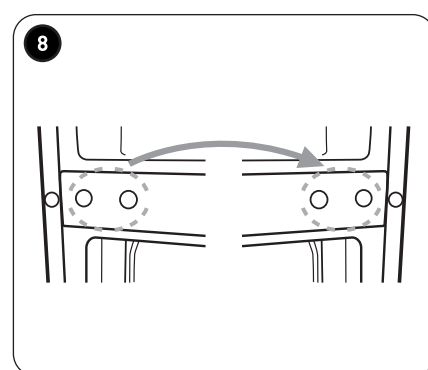
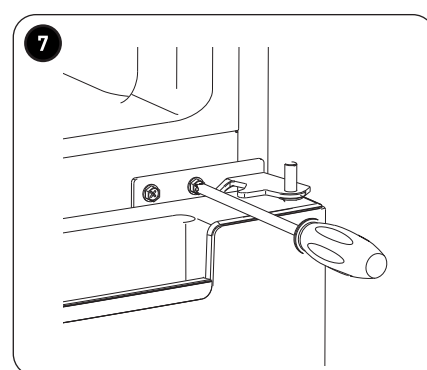
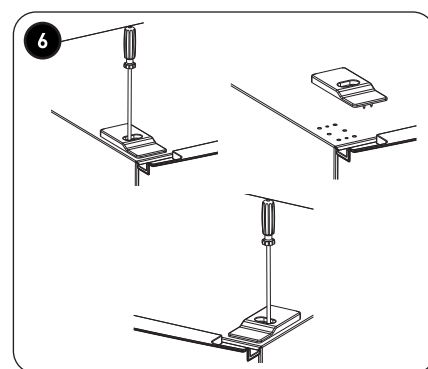
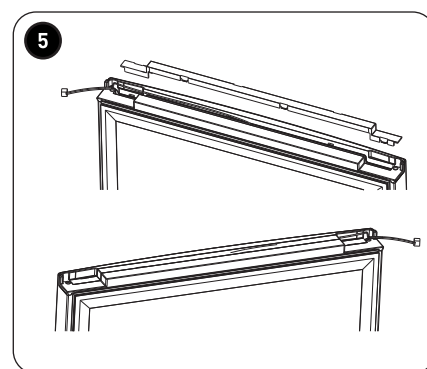
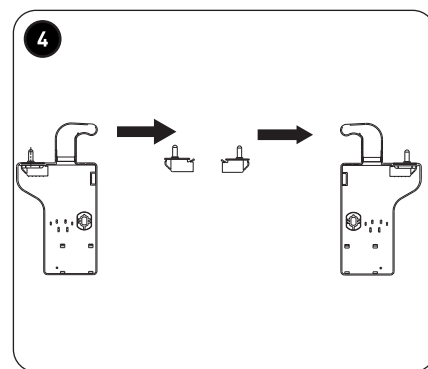
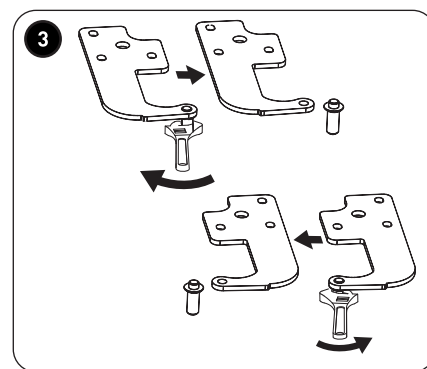
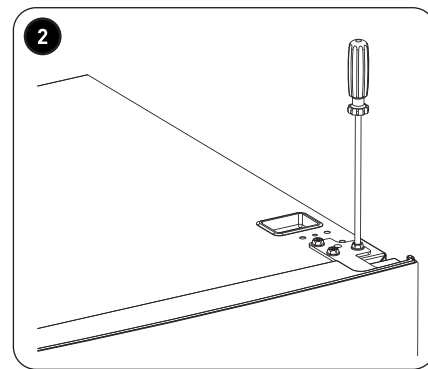
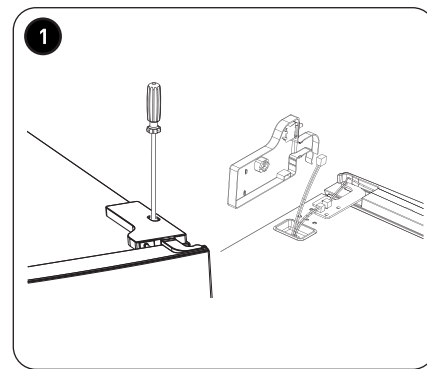
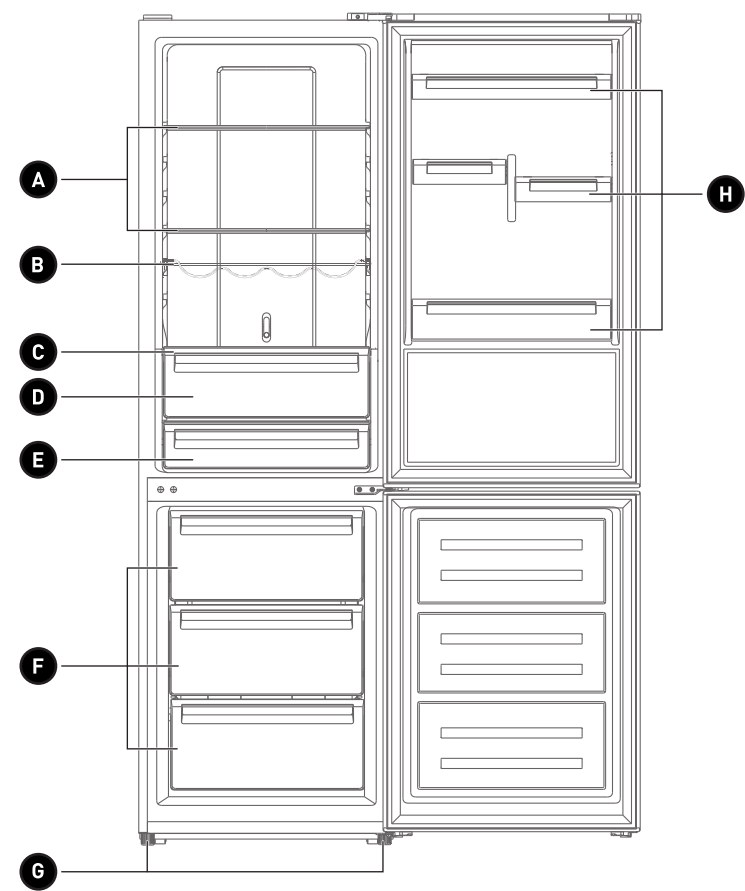
Fridge - freezer
Réfrigérateur - congélateur
Koelvrieskast
Frigorífico - congelador

987379 - CNF 323 B X742C

INSTRUCTIONS FOR USE02
 CONSIGNES D'UTILISATION20
 GEBRUIKSAANWIJZINGEN40
 INSTRUCCIONES DE USO60

ELECTRO DEPOT
 1 route de Vendeville
 59155 FACHES-THUMESNIL - FRANCE





Thank you!

Thank you for choosing this VALBERG product. VALBERG products are chosen, tested, and recommended by ELECTRO DEPOT, so you can be sure you are getting a top-quality, easy-to-use product that won't let you down.

We're confident your new device will be a pleasure to use every day!

Welcome to ELECTRO DEPOT.



Table of Contents

A

Product overview

Recommended ambient temperature range
Temperature control adjustment
Parts

B

Product usage

Installation
User Interface
Daily use
Helpful hints and tips

C

Cleaning and maintenance

Cleaning and maintenance
Troubleshooting

Recommended ambient temperature range

Respect the climate classes indicated in the product information on the appliance's nameplate. You can use this to check the recommended temperature range of the room where the appliance is located:

- SN: Between 10 and 32°C
- N: Between 16 and 32°C
- ST: Between 16 and 38°C
- T: Between 16 and 43°C

A multi-class appliance can handle the lowest and highest temperature of all classes covered. Using the appliance outside of the ambient temperature range will result in inferior performance and premature ageing.

Temperature control adjustment

For optimal use and energy savings, adjust the temperature control(s) of the appliance according to the ambient temperature of the room, in which it is being used, and respect the climate class. Refer to the product sheet to find out the climate class associated with the minimum and maximum recommended ambient temperatures for the appliance as well as the temperature setting recommended for storing food under optimal conditions.

The ambient temperatures in °C are given as a rough guide.

The set positions can be affected by the location of the appliance in the room, how often the door is opened or the load of food inside.

The temperature control position(s) may need to be changed to compensate for these factors.

Examples of locations:

- Unheated room in winter like a garage in a cold region.
- Living room with normal heating like a kitchen
- Non-air-conditioned room in summer in a hot region

Parts

A Fridge shelves

E Fresh convertible box

B Wine rack

F Freezer drawers

C Crisper cover

G Leveling feet

D Crisper

H Fridge balconies



Note: Above picture is for reference only. Real appliance probably is different.

Installation

Space requirement

- Select a location without direct exposure to sunlight;
- Select a location with enough space for the refrigerator doors to open easily;
- Select a location with level (or nearly level) flooring;
- Allow sufficient space to install the refrigerator on a flat surface;
- Allow clearance to the right, left, back and top when installing. This will help reduce power consumption and keep your energy bills lower.
- Keep at least 50mm gap at two sides and back.

Positioning

Install this appliance at a location where the ambient temperature corresponds to the climate class indicated on the rating plate of the appliance: for refrigerating appliances with climate class:

- extended temperate: this refrigerating appliance is intended to be used at ambient temperatures ranging from 10 °C to 32 °C; (SN)
- temperate: this refrigerating appliance is intended to be used at ambient temperatures ranging from 16 °C to 32 °C; (N)
- subtropical: this refrigerating appliance is intended to be used at ambient temperatures ranging from 16 °C to 38 °C; (ST)
- tropical: this refrigerating appliance is intended to be used at ambient temperatures ranging from 16 °C to 43 °C; (T)

Location

The appliance should be installed well away from sources of heat such as radiators, boilers, direct sunlight etc. Ensure that air can circulate freely around the back of the cabinet. To ensure best performance, if the appliance is positioned below an overhanging wall unit, the minimum distance between the top of the cabinet and the wall unit must be at least 50 mm. Ideally, however, the appliance should not be positioned below overhanging wall units. Accurate leveling is ensured by one or more adjustable feet at the base of the cabinet. This refrigerating appliance is not intended to be used as a built-in appliance.



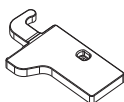
- **Warning!** It must be possible to disconnect the appliance from the mains power supply; the plug must therefore be easily accessible after installation.

Electrical connection

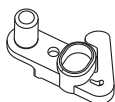
Before plugging in, ensure that the voltage and frequency shown on the rating plate correspond to your domestic power supply. The appliance must be earthed. The power supply cable plug is provided with a contact for this purpose. If the domestic power supply socket is not earthed, connect the appliance to a separate earth in compliance with current regulations, consulting a qualified electrician. The manufacturer declines all responsibility if the above safety precautions are not observed. This appliance complies with the E.E.C. Directives.

Door reversibility

Before reversing the door, please be prepared below tools and material: straight screwdriver, cross screwdriver, spanner and the components included in the poly bag:



Left door hinge cover x 1



Left aid-closer on upper door x 1



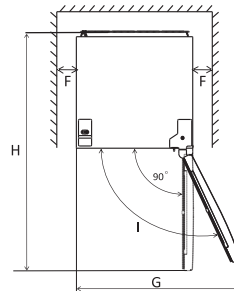
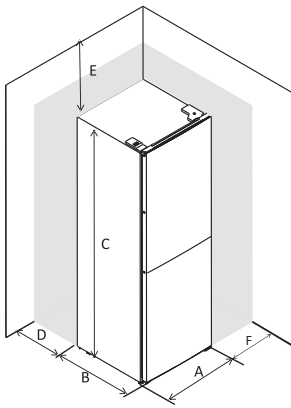
Left aid-closer on lower door x 1

- 1 Unscrew top hinge cover and disconnect connectors of door switch and harness.
- 2 Unscrew top hinge.
- 3 Remove the pin with a screwdriver and flip the hinge bracket. Then refit the pin to hinge bracket.
- 4 Move door switch from right hinge cover to left hinge cover in accessory bag.
- 5 Detach cover in top of upper door and move harness from right side to left side, then replace the cover.
- 6 Move top left cover to right side.
- 7 Take off the upper door, take out the screw from the middle hinge by cross screwdriver, then take off the lower door.
- 8 Move the hinge hole covers from left side to right side.
- 9 Unscrew bottom hinge. Then remove the adjustable feet from both side.
- 10 Unscrew and remove the bottom hinge pin, turn the bracket over and replace it.
- 11 Refit the bracket fitting the bottom hinge pin. Replace both adjustable feet.
- 12 Remove aid-closers from bottom of upper and lower doors, then take new aid-closers from accessory bag and install them to left side.
- 13 Detach the Fridge and the Freezer door gaskets and then attach them after rotating.

- 14 Install the lower door, adjust and fix the middle hinge onto the cabinet.
- 15 Replace upper door, please ensure the door align with the cabinet to make sure door gasket seal the cabinet tightly. Then connect door with cabinet by tightly fixed top hinge.
- 16 Connect harnesses from door and cabinet. Then replace top hinge cover. Before screw the cover, connect terminals of door switch.

Space requirement

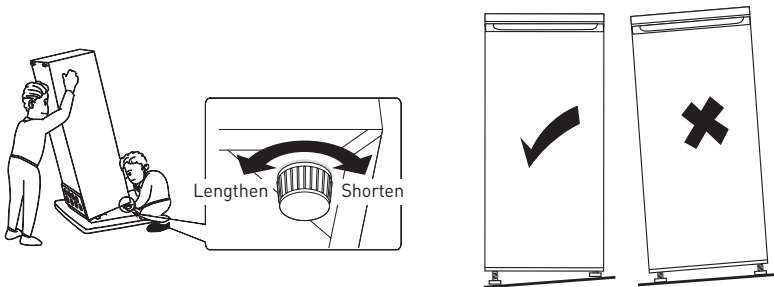
- Keep enough space of door open.
- Keep at least 50mm gap at two sides and back.



A	600
B	685
C	1850
D	min=50
E	min=50
F	min=50
G	1200
H	1285
I	135°

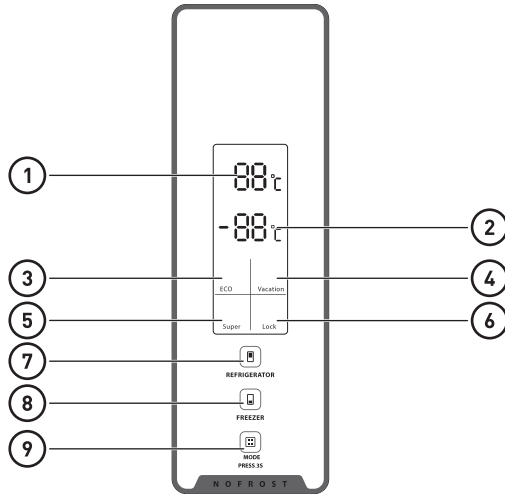
Levelling the unit

- To do this adjust the two levelling feet at front of the unit.
- If the unit is not level, the doors and magnetic seal alignments will not be covered properly.



User interface

Using the control panel



Key operation

- 7** Temperature control of fridge compartment
- This key is available in user defined mode and SUPER mode, not available in ECO mode and VACATION mode.
 - Short touching this key to select fridge temperature.
-
- 8** Temperature control of freezer compartment
- This key is available in user defined mode and VACATION mode, not available in SUPER mode and ECO mode.
 - Short touching this key to select freezer temperature.
-
- 9** Running mode select / Locking / Unlocking
- Keep touching this key for 3s to lock or unlock the control panel.
 - In "Unlocking" status, short touching this key to select running mode (ECO mode / VACATION mode / SUPER mode / user defined mode).

Display

- 1** Setting temperature display of fridge compartment
- This area will display setting temperature of fridge compartment. If E0, E1, E2, E3, E5 displays in this area, please call service.
-
- 2** Setting temperature display of freezer compartment
- This area will display setting temperature of freezer compartment.

Indicators

- ③ ECO mode indicator
 - This light is on when ECO mode is selected.

- ④ VACATION mode indicator
 - This light is on when VACATION mode is selected.

- ⑤ SUPER mode indicator
 - This light is on when SUPER mode is selected.

- ⑥ Locking / Unlocking indicator
 - This light is on when control panel is locked.

Illusion of the key

Operation and display

- Control panel will be 100% lit up for 3s, which operates exactly as per the setting before the power off. After that, operations are available.
- Before your operation, make sure the control panel is in unlocking status.
- In locking status, locking indicator will flash for 3s when you short touch any operation key, but operations are not available.
- Control panel will be locked 25s after the last operation.
- Control panel will 100% light off 2 minutes after the last operation.
- Control panel will be lit up once the door of fridge compartment is opened.
- Control panel will be lit up once short touching operation keys.
- There will be a prompt beep for any key operation.



Temperature setting of fridge compartment

- In user defined mode or SUPER mode, short touch ⑦ key consecutively, setting temperature of fridge compartment will display in a circle from 2°C to 8°C.
- Setting temperature will be confirmed after 5s of flashing of the indicator.

Temperature setting of freezer compartment

- In user defined mode, short touching ⑧ consecutively, setting temperature of fridge compartment will display in a circle from -14°C to -22°C.
- Setting temperature will be confirmed after 5s of flashing of the indicator.

Temperature setting recommendation

Temperature setting recommendation		
Environment temperature	Fridge compartment	Freezer compartment
Summer Normal Winter		

Temperature control of fresh zone

- Temperature of the fresh can be adjusted according to the type of storage food.
- Push the knob upward from the bottom, temperature in the fresh zone will be gradually decreased.
- When the knob is placed at the «CRISPER» position, the fresh zone can be functioned as a crisper zone and maintain the appropriate temperature and humidity for fruits and vegetable.
- When the knob is placed at the « FRESH» position, it is suitable for short-term storage of fish or other fresh food. The food will keep fresh but not frozen which makes it the best choice for storing fresh food.



Tips: When you choose «FRESH» function, it is recommended to set the refrigerator temperature below 4°C and preserved lead-time no more than 3 days, in order to keep the best freshness.

 **FRESH CONVERTER**

FRESH



CRISPER

Thermostat setting for ambient T°C : NORMAL ≈ +24°C (± 4°C)	3°C/-19°C
Thermostat setting for ambient T°C : COLD ≈ +16°C (± 4°C)	3°C/-19°C
Thermostat setting for ambient T°C : HOT ≈ +32°C (± 4°C)	3°C/-19°C

ECO mode

- Activate ECO mode:
 - Short touching ⑨ key consecutively, when ③ (ECO mode indicator) is lit up, ECO mode is selected.
 - After 5s of flashing of ECO mode indicator, ECO mode will be activated.
 - In ECO mode, the refrigerator automatically adjusts the temperature of the two compartments depending on the internal and ambient temperatures.
 - In ECO mode, if you set fridge or freezer temperature by manual, ECO mode indicator will flash for 3s, fridge and freezer temperature setting operations are not workable.
- Quit from ECO mode:
 - Short touch ⑨ key, when ECO mode indicator is light off, the appliance quits from ECO mode.

VACATION mode

- Activate VACATION mode:
 - Short touching ⑨ key consecutively, when ④ (VACATION mode indicator) is lit up, VACATION mode is selected.
 - After 5s of flashing of VACATION mode indicator, VACATION mode will be activated.
 - When VACATION mode is activated, fridge temperature will be set automatically to 17°C, setting temperature of freezer compartment is available.
 - In VACATION mode, if you set fridge temperature by manual, VACATION mode indicator will flash for 3s, fridge temperature setting operation is not workable.
- Quit from VACATION mode:
 - Short touch ⑨ key, when VACATION mode indicator is light off, the appliance quits from mode.

SUPER mode

It is advisable to set SUPER mode 24 hours ahead, if lots of foods need to be frozen in one time.


- Activate SUPER mode:
 - Short touching ⑨ key consecutively, when ⑤ (SUPER mode indicator) is lit up, SUPER mode is selected.
 - After 5s of flashing of SUPER mode indicator, SUPER mode will be activated.
 - When SUPER mode is activated, freezer temperature will be set automatically to -25°C, setting temperature of fridge compartment is available.
 - In SUPER mode, if you set freezer temperature by manual, SUPER mode indicator will flash for 3s, freezer temperature setting operation is not workable.
- Quit from SUPER mode:
 - Short touch ⑨ key, when SUPER mode indicator is light off, the appliance quits from SUPER mode.



WARNING!

In SUPER mode, the appliance will keep running under heavy load, noise level will be slightly higher than normal condition.

User defined mode

- Short touch  key until ECO mode indicator / VACATION mode indicator / SUPER mode indicator are all light off, user defined mode is activated.
- In user defined mode, users can set fridge temperature and freezer temperature by manual.

Door opening alarm function

If fridge door keeps open for 60s, door opening alarm will arise.

Daily use**First use**Cleaning the interior

Before using the appliance for the first time, wash the interior and all internal accessories with lukewarm water and some neutral soap so as to remove the typical smell of a brand new product, then dry thoroughly.



Important! Do not use detergents or abrasive powders, as these will damage the finish.

Daily use

Position different food in different compartments according to be below table:

Refrigerator compartments	Type of food
Door or balconies of fridge compartment	<ul style="list-style-type: none"> • Foods with natural preservatives, such as jams, juices, drinks, condiments. • Do not store perishable foods.
Crisper drawer (salad drawer)	<ul style="list-style-type: none"> • Fruits, herbs and vegetables should be placed separately in the crisper bin. • Do not store bananas, onions, potatoes, garlic in the refrigerator.
Fridge shelf – middle	<ul style="list-style-type: none"> • Dairy products, eggs
Fridge shelf – top	<ul style="list-style-type: none"> • Foods that do not need cooking, such as ready-to-eat foods, deli meats, leftovers.
Freezer drawer(s)/shelf	<ul style="list-style-type: none"> • Foods for long-term storage. • Bottom drawer/shelf for raw meat, poultry, fish. • Middle drawer/shelf for frozen vegetables, chips. • Top drawer/shelf for ice cream, frozen fruit, frozen

Freezing fresh food

- The freezer compartment is suitable for freezing fresh food and storing frozen and deep-frozen food for a long time.
- Place the fresh food to be frozen in the bottom compartment.
- The maximum amount of food that can be frozen in 24 hours is specified on the rating plate.
- The freezing process lasts 24 hours: during this period do not add other food to be frozen.

Storing frozen food

When first starting-up or after a period out of use. Before putting the product in the compartment let the appliance run at least 2 hours on the higher settings.



Important! In the event of accidental defrosting, for example the power has been off for longer than the value shown in the technical characteristics chart under "rising time", the defrosted food must be consumed quickly or cooked immediately and then re-frozen (after cooked).

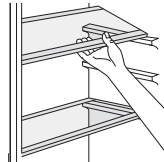
Thawing

Deep-frozen or frozen food, prior to be used, can be thawed in the freezer compartment or at room temperature, depending on the time available for this operation.

Small pieces may even be cooked still frozen, directly from the freezer. In this case, cooking will take longer.

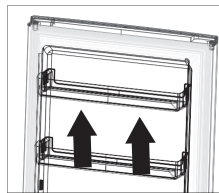
Accessories Movable shelves

The walls of the refrigerator are equipped with a series of runners so that the shelves can be positioned as desired.



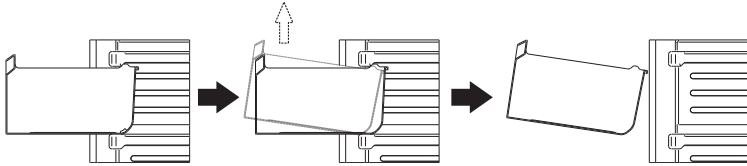
Position the door balconies

Door balconies can be disassembled for cleaning. To make the disassembling as follows: gradually pull the balcony in the direction of the arrows until it comes free, after cleaning, reposition it.



Disassemble the bottom drawer

1. Pull out the bottom drawer to stopper position.
2. Lift up the front of drawer.
3. Pull out the bottom drawer.

**Helpful hints and tips****Hints for freezing**

To help you make the most of the freezing process, here are some important hints:

- the maximum quantity of food which can be frozen in 24 hrs. is shown on the rating plate;
- the freezing process takes 24 hours. No further food to be frozen should be added during this period;
- only freeze top quality, fresh and thoroughly cleaned, foodstuffs;
- prepare food in small portions to enable it to be rapidly and completely frozen and to make it possible subsequently to thaw only the quantity required;
- wrap up the food in aluminium foil or polythene and make sure that the packages are airtight;
- do not allow fresh, unfrozen food to touch food which is already frozen, thus avoiding a rise in temperature of the latter;
- lean foods store better and longer than fatty ones; salt reduces the storage life of food;
- water ices, if consumed immediately after removal from the freezer compartment, can possibly cause the skin to be freeze burnt;
- it is advisable to show the freezing in date on each individual pack to enable you removal from the freezer compartment, can possibly cause the skin to be freeze burnt;
- it is advisable to show the freezing in date on each individual pack to enable you to keep tab of the storage time.

Hints for storage of frozen food

To obtain the best performance from this appliance, you should:

- make sure that the commercially frozen foodstuffs were adequately stored by the retailer;
- be sure that frozen foodstuffs are transferred from the food store to the freezer in the shortest possible time;
- not open the door frequently or leave it open longer than absolutely necessary.
- Once defrosted, food deteriorates rapidly and cannot be refrozen.
- Do not exceed the storage period indicated by the food manufacture.

Hints for fresh food refrigeration

To obtain the best performance:

- Do not store warm food or evaporating liquids in the refrigerator.
- Do cover or wrap the food, particularly if it has a strong flavour.

Hints for refrigeration

Useful hints:

- Make (all types): wrap in polythene bags and place on the glass shelves above the vegetable drawer.
- For safety, store in this way only one or two days at the most.
- Cooked foods, cold dishes, etc...: these should be covered and may be placed on any shelf.
- Fruit and vegetables: these should be thoroughly cleaned and placed in the special drawer(s) provided.
- Butter and cheese: these should be placed in special airtight containers or wrapped in aluminum foil or polythene bags to exclude as much air as possible.
- Milk bottle: these should have a cap and should be stored in the balconies on the door.
- Bananas, potatoes, onions and garlic, if not packed, must not be kept in the fridge.

Cleaning and maintenance

For hygienic reasons the appliance interior, including interior accessories, should be cleaned regularly.



Caution! The appliance may not be connected to the mains during cleaning. Danger of electrical shock! Before cleaning switch the appliance off and remove the plug from the mains, or switch off or turn out the circuit breaker or fuse. Never clean the appliance with a steam cleaner. Moisture could accumulate in electrical components, danger of electrical shock! Hot vapors can lead to the damage of plastic parts. The appliance must be dry before it is placed back into service.



Important! Ethereal oils and organic solvents can attack plastic parts, e.g. lemon juice or the juice from orange peel, butyric acid, cleanser that contain acetic acid.

- Do not allow such substances to come into contact the appliance parts.
- Do not use any abrasive cleaners.
- Remove the food from the freezer. Store them in a cool place, well covered.
- Switch the appliance off and remove the plug from the mains, or switch off or turn out the circuit breaker of fuse.
- Clean the appliance and the interior accessories with a cloth and lukewarm water. After cleaning wipe with fresh water and rub dry.
- After everything is dry place appliance back into service.

Troubleshooting



Caution! Before troubleshooting, disconnect the power supply. Only a qualified electrician or competent person must do the troubleshooting that is not in this manual.



Important! There are some sounds during normal use (compressor, refrigerant circulation).

Problem	Possible cause	Solution
Appliance does not work	<ul style="list-style-type: none"> • Temperature regulation knob is set at coldest • Mains plug is not plugged in or is loose • Fuse has blown or is defective • Socket is defective 	<ul style="list-style-type: none"> • Set the knob at other switch on the appliance. • Insert mains plug. • Check fuse, replace if necessary. • Mains malfunctions are to be corrected by an electrician.
Appliance freezes or cools too much	<ul style="list-style-type: none"> • Temperature is set too cold or the appliance runs at coldest. 	<ul style="list-style-type: none"> • Turn the temperature regulator to a warmer setting temporarily.
The food is not frozen enough.	<ul style="list-style-type: none"> • Temperature is not properly adjusted. • Door was open for an extended period. • A large quantity of warm food was placed in the appliance within the last 24 hours. • The appliance is near a heat source. 	<ul style="list-style-type: none"> • Please look in the initial Temperature Setting section. • Open the door only as long as necessary. • Turn the temperature regulation to a colder setting temporarily. • Please look in the installation location section.
Heavy build up of frost on the door seal.	<ul style="list-style-type: none"> • Door seal is not air tight. 	<ul style="list-style-type: none"> • Carefully warm the leaking sections of the door seal with a hair dryer (on a cool setting). At the same time shape the warmed door seal by hand such that it sits correctly.

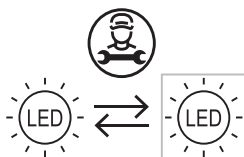
Problem	Possible cause	Solution
Unusual noises	<ul style="list-style-type: none"> • Appliance is not level. • The appliance is touching the wall or other objects. • A component, e.g. a pipe, on the rear of the appliance is touching another part of the appliance or the wall. 	<ul style="list-style-type: none"> • Re-adjust the feet. • Move the appliance slightly. • If necessary, carefully bend the component out of the way.
Water on the floor	<ul style="list-style-type: none"> • Water drain hole is blocked. 	<ul style="list-style-type: none"> • See the Cleaning and maintenance section.
Side panels are hot.	<ul style="list-style-type: none"> • It's normal. Heat exchange parts are in the sides. 	<ul style="list-style-type: none"> • Take gloves to touch sides if needed.

If the malfunction shows again, contact the Service Center.

These data are necessary to help you quickly and correctly. Write the necessary data here, refer to the rating plate.

Replace the lamp

- This product contains a light source exempted of energy efficiency class G.
- Light source in this product can only be replaced by qualified professionals.
- Please contact after-sales service if the light source fails.
- The light source shall be removed at the end of the product's useful life, with sorting and recycling done separately.



Merci !

Merci d'avoir choisi ce produit VALBERG.
Choisis, testés et recommandés par ELECTRO DEPOT,
les produits de la marque VALBERG vous assurent
une utilisation simple, une performance fiable et
une qualité irréprochable.
Grâce à cet appareil, vous savez que chaque utilisation
vous apportera satisfaction.

Bienvenue chez ELECTRO DEPOT.

Visitez notre site Internet : www.electrodepot.fr
www.electrodepot.be

VOTRE AVIS COMPTE !



**PARTAGEZ
VOTRE EXPERIENCE
SUR LES PRODUITS**

Parce que votre satisfaction est notre priorité, nous vous proposons
de donner votre avis sur ce produit. Il sera transmis et analysé par
nos équipes afin d'améliorer continuellement le produit.

Donnez votre avis sur <http://www.electrodepot.fr/avis-client>



ELECTRO DEPOT

20

FR

Table des matières

A

Aperçu de l'appareil

Températures ambiantes d'utilisation
Réglage du thermostat
Pièces

B

Utilisation de l'appareil

Installation
Interface utilisateur
Utilisation
Conseils utiles

C

Nettoyage et entretien

Nettoyage et entretien
Dépannage

Les notices sont aussi disponibles sur le site
<http://www.electrodepot.fr/sav/notices/>
<http://www.electrodepot.be/fr/sav/notices>

Températures ambiantes d'utilisation

Il est recommandé de respecter les classes climatiques indiquées dans la fiche produit sur la plaque signalétique de l'appareil, cela vous permet de vérifier sous quelles plages de températures ambiantes l'appareil peut être utilisé :

- SN : Entre 10 et 32°C
- N : Entre 16 et 32°C
- ST : Entre 16 et 38°C
- T : Entre 16 et 43°C

Un appareil multi-classes peut gérer la température la plus basse et la plus élevée de l'ensemble des classes couvertes. L'utilisation de l'appareil en dehors de la plage de température ambiante alterne ses performances et sa durée de vie.

Réglage du thermostat

Pour un usage optimal et des économies d'énergie, il est recommandé de régler le(s) thermostat(s) de l'appareil selon la température ambiante de la pièce d'utilisation et le respect de la classe climatique.

Veuillez vous référer à la fiche produit pour connaître la classe climatique associée aux températures ambiantes minimales et maximales adaptées à l'appareil ainsi que le réglage de température recommandé pour un stockage optimisé des denrées alimentaires.

Les degrés des températures ambiantes T°C sont donnés uniquement à titre indicatif. L'emplacement dans la pièce, la fréquence d'ouverture de porte(s) ou encore le niveau de chargement en denrées alimentaires de l'appareil peuvent impacter les positions précisées. La ou les position(s) de thermostat(s) peu(ven)t devoir être modifiées pour compenser ces facteurs.

Exemples de pièce d'utilisation :

- Pièce non chauffée en hiver comme un garage dans une région froide
- Pièce à vivre normalement chauffée comme une cuisine
- Pièce non climatisée en été dans une région chaude

Pièces

A Clayettes du réfrigérateur

E Boîte fraîche convertible

B Support à bouteilles

F Tiroirs du congélateur

C Couvercle du bac à légumes

G Pieds de nivellement

D Bacs à légumes

H Balcons du réfrigérateur



Remarque : L'illustration ci-dessus est seulement une référence. L'appareil peut différer de l'image.

Installation

Espace nécessaire

- Sélectionnez un emplacement sans exposition directe au soleil ;
- Sélectionnez un emplacement avec suffisamment d'espace pour permettre l'ouverture aisée des portes du réfrigérateur ;
- Sélectionnez un emplacement au sol plat (ou presque) ;
- Prévoyez un espace suffisant pour installer le réfrigérateur sur une surface plane ;
- Laissez assez d'espace à gauche, à droite, à l'arrière et au-dessus de l'appareil avant de l'installer. Cela permet de réduire votre consommation d'énergie et de diminuer vos factures d'électricité.
- Conservez un espace d'au moins 50 mm des deux côtés et à l'arrière.

Positionnement

Installez cet appareil à un endroit où la température ambiante correspond à la classification climatique indiquée sur la plaque signalétique de l'appareil. Pour les appareils de réfrigération à la classification climatique :

- tempérée élargie : cet appareil de réfrigération est destiné à être utilisé à des températures ambiantes allant de 10°C à 32°C ; (SN)
- tempérée : cet appareil de réfrigération est destiné à être utilisé à des températures ambiantes allant de 16°C à 32°C ; (N)
- subtropicale : cet appareil de réfrigération est destiné à être utilisé à des températures ambiantes allant de 16°C à 38°C ; (ST)
- tropicale : cet appareil de réfrigération est destiné à être utilisé à des températures ambiantes allant de 16°C à 43°C ; (T)

Emplacement

L'appareil doit être installé à l'écart de sources de chaleur comme les radiateurs, chaudières, la lumière directe du soleil, etc. Assurez-vous que l'air puisse circuler librement à l'arrière de l'appareil. Pour obtenir des performances optimales, si l'appareil est placé en-dessous d'un meuble de cuisine suspendu, la distance minimale entre le haut de l'appareil et le meuble doit mesurer au moins 50 mm. Cependant, il est préférable que l'appareil ne soit pas placé sous des meubles de cuisine suspendus. Une mise à niveau correcte s'effectue à l'aide d'un ou plusieurs pieds réglables à la base de l'appareil.

Cet appareil de réfrigération n'est pas conçu pour être utilisé en tant qu'appareil encastré.



- **AVERTISSEMENT !** Il doit être possible de débrancher l'appareil du réseau électrique ; la prise doit donc être facilement accessible après l'installation.

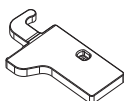
Raccordement électrique

Avant de brancher l'appareil, veillez à ce que la tension et la fréquence indiquées sur la plaque signalétique correspondent à celles de votre réseau. L'appareil doit être mis à la terre. La fiche du câble d'alimentation est munie d'un contact à cet effet. Si la prise d'alimentation

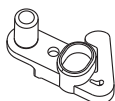
domestique n'est pas reliée à la terre, branchez l'appareil à une prise de terre conformément aux réglementations en vigueur et consultez un électricien qualifié. Le fabricant décline toute responsabilité si les consignes de sécurité ci-dessus ne sont pas respectées. Cet appareil est conforme avec les directives de la CEE.

Inversion de la porte

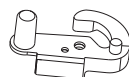
Avant d'inverser la porte, veuillez préparer le matériel et les outils suivants : tournevis plat, tournevis cruciforme, clé et les composants inclus dans le sac en plastique :



Capot de charnière de porte
gauche x 1



Ferme-porte gauche sur la
porte supérieure x 1



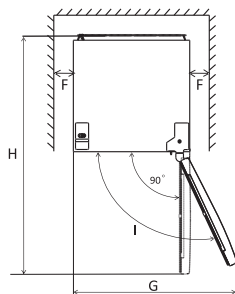
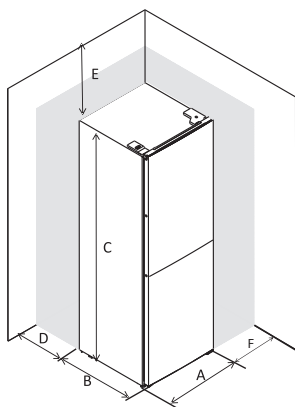
Ferme-porte gauche sur la
porte inférieure x 1

- 1 Dévissez le capot de la charnière supérieure et déconnectez les connecteurs du commutateur et du harnais de porte.
- 2 Dévissez la charnière supérieure.
- 3 Retirez le pivot avec un tournevis et retournez la tige de fixation de la charnière. Remettez alors le pivot dans la tige de fixation de la charnière.
- 4 Déplacez le commutateur de porte du capot de la charnière droite au capot de la charnière gauche dans le sac d'accessoires.
- 5 Détachez le capot en haut de la porte supérieure et passez le harnais du côté droit au côté gauche, puis remplacez le capot.
- 6 Passez le capot supérieur gauche au côté droit.
- 7 Enlevez la porte supérieure, dévissez la vis de la charnière centrale avec un tournevis cruciforme, puis enlevez la porte inférieure.
- 8 Déplacez les capuchons des trous de charnières du côté gauche vers le côté droit.
- 9 Dévissez la charnière du bas. Ensuite, retirez les pieds réglables de chaque côté.
- 10 Dévissez et retirez la tige de la charnière inférieure, retournez le pivot et remettez la tige en place.

- 11 Remettez en place la tige de fixation du pivot de la charnière du bas. Remettez les deux pieds réglables.
- 12 Enlevez les ferme-portes des portes supérieure et inférieure, puis prenez de nouveaux ferme-portes dans le sac d'accessoires et installez-les sur le côté gauche.
- 13 Retirez les joints des portes du réfrigérateur et du congélateur et attachez-les après avoir effectué la rotation.
- 14 Installez la porte inférieure, réglez et fixez la charnière centrale sur l'appareil.
- 15 Remettez la porte supérieure en vous assurant que la porte est alignée avec l'appareil pour que le joint de porte ferme hermétiquement l'appareil. Connectez ensuite la porte à l'appareil en fixant étroitement la charnière supérieure.
- 16 Connectez les harnais de la porte et de l'appareil. Remettez ensuite en place le capot de la charnière supérieure. Avant de visser le capot, connectez les bornes du commutateur de porte.

Espace nécessaire

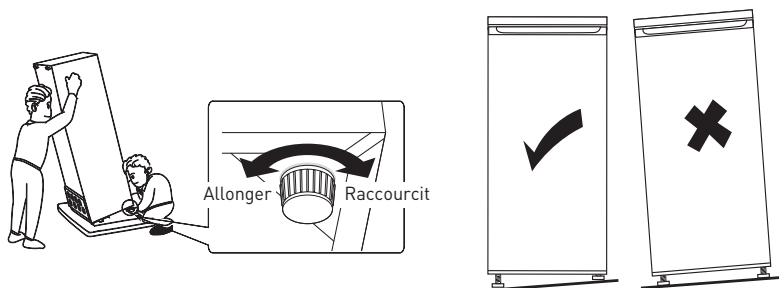
- Conservez assez d'espace pour ouvrir la porte.
- Conservez un espace d'au moins 50 mm des deux côtés et à l'arrière.



A	600
B	685
C	1850
D	min=50
E	min=50
F	min=50
G	1200
H	1285
I	135°

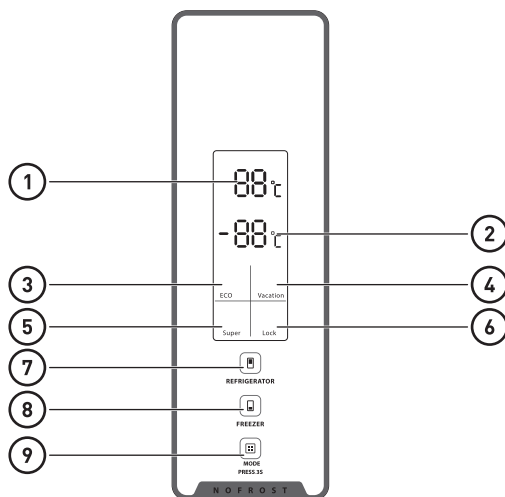
Placer l'appareil en position horizontale

- Pour cela, ajustez les deux pieds de nivellement à l'avant de l'appareil.
- Si l'appareil n'est pas horizontal, les portes et les joints d'alignement magnétiques ne seront pas couverts correctement.



Interface utilisateur

Utilisation du panneau de contrôle



Fonctionnement des touches

⑦

Contrôle de la température du compartiment de réfrigération

- Cette touche est disponible dans le mode défini par l'utilisateur et le mode SUPER, mais n'est pas disponible en mode ECO et en mode ABSENCE.
- Appuyez rapidement sur cette touche pour sélectionner la température du réfrigérateur.

-
- ⑧ Contrôle de la température du compartiment de congélation
- Cette touche est disponible dans le mode défini par l'utilisateur et le mode ABSENCE, mais n'est pas disponible en mode SUPER et en mode ECO.
 - Appuyez rapidement sur cette touche pour sélectionner la température du congélateur.
-

- ⑨ Sélection du mode actif / Verrouillage / Déverrouillage
- Maintenez cette touche appuyée pendant 3 secondes pour verrouiller ou déverrouiller le panneau de contrôle.
 - Quand le panneau est « déverrouillé », appuyez rapidement sur cette touche pour sélectionner le mode actif (mode ECO / mode ABSENCE / mode SUPER / mode défini par l'utilisateur).

Affichage

- ① Réglage de l'affichage de la température du compartiment de réfrigération
- Cette zone affiche le réglage de la température du compartiment de réfrigération. Si le code E0, E1, E2, E3 ou E5 s'affiche dans cette zone, veuillez contacter le service clients.
-

- ② Réglage de l'affichage de la température du compartiment de congélation
- Cette zone affiche le réglage de la température du compartiment de congélation.

Voyants

- ③ Voyant du mode ECO
- Ce voyant est allumé quand le mode ECO est sélectionné.
-
- ④ Voyant du mode ABSENCE.
- Ce voyant est allumé quand le mode ABSENCE est sélectionné.
-
- ⑤ Voyant du mode SUPER
- Ce voyant est allumé quand le mode SUPER est sélectionné.
-
- ⑥ Voyant de verrouillage/déverrouillage
- Ce voyant est allumé quand le panneau de contrôle est verrouillé.

Illustration des touches

Fonctionnement et affichage

- Le panneau de contrôle est entièrement allumé pendant 3 secondes et fonctionne selon le réglage avant la mise hors tension. Ensuite, les opérations sont disponibles.
- Avant votre opération, assurez-vous que le panneau de contrôle est déverrouillé.
- Quand il est verrouillé, le voyant de verrouillage clignote pendant 3 secondes quand vous touchez rapidement une touche d'opération, mais les opérations ne sont pas disponibles.
- Le panneau de contrôle se verrouille 25 secondes après la dernière opération.
- Le panneau de contrôle s'éteint entièrement 2 minutes après la dernière opération.
- Le panneau de contrôle s'allume quand la porte du compartiment de réfrigération est ouverte.
- Le panneau de contrôle s'allume quand on touche les touches d'opération.

- Un bip rapide retentit pour toutes les opérations.


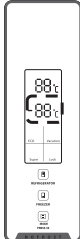
Réglage de la température du compartiment de réfrigération

- En mode défini par l'utilisateur ou en mode SUPER, appuyez rapidement à plusieurs reprises sur la touche ⑦ de réglage de la température du compartiment de réfrigération, affichée dans un cercle de 2°C à 8°C.
- Le réglage de la température est confirmé par le voyant qui clignote pendant 5 secondes.

Réglage de la température du compartiment de congélation

- En mode défini par l'utilisateur, appuyez rapidement à plusieurs reprises sur la touche ⑧ de réglage de la température du compartiment de réfrigération, affichée dans un cercle de -14°C à -22°C.
- Le réglage de la température est confirmé par le voyant qui clignote pendant 5 secondes.

Réglages de température conseillés

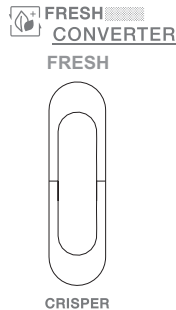
Réglages de température conseillés		
Température ambiante	Compartiment de réfrigération	Compartiment de congélation
<p>Été</p> <p>Normal</p> <p>Hiver</p>		

Contrôle de la température de la zone fraîche

- La température de la zone fraîche peut être réglée selon le type d'aliments stockés.
- Poussez le bouton de bas en haut pour diminuer progressivement la température de la zone fraîche.
- Quand le bouton est placé en position « CRISPER », la zone fraîche fonctionne comme une zone de bac à légumes et maintient la température et l'humidité convenant aux fruits et légumes.
- Quand le bouton est placé en position « FRESH », la zone convient au stockage à court terme de poisson ou autres aliments frais. Les aliments sont conservés au frais mais non congelés, ce qui est idéal pour la conservation des aliments frais.



Conseils : Quand la fonction « FRESH » est sélectionnée, il est recommandé de régler la température du réfrigérateur en dessous de 4°C et de conserver les aliments moins de 3 jours pour une fraîcheur optimale.



Réglage du thermostat pour T°C ambiante : NORMALE ≈ +24°C (± 4°C)	3°C/-19°C
Réglage du thermostat pour T°C ambiante : FROIDE ≈ +16°C (± 4°C)	3°C/-19°C
Réglage du thermostat pour T°C ambiante : CHAUDE ≈ +32°C (± 4°C)	3°C/-19°C

mode ECO

- Activer le mode ECO :
 - Appuyez plusieurs fois rapidement sur la touche ⑨. Quand le voyant ③ du mode ECO s'allume, le mode ECO est sélectionné.
 - Le voyant du mode ECO clignote alors pendant 5 secondes, ce qui indique que le mode ECO est activé.
 - En mode ECO, le réfrigérateur règle automatiquement la température des deux compartiments en fonction de la température interne et de la température ambiante.
 - En mode ECO, si vous réglez manuellement la température du réfrigérateur ou du congélateur, le voyant du mode ECO clignote pendant 3 secondes car les opérations de réglage de la température du réfrigérateur et du congélateur ne sont pas disponibles.
- Quitter le mode ECO :
 - Appuyez rapidement sur la touche ⑨. Quand le voyant du mode ECO s'éteint, l'appareil quitte le mode ECO.

mode ABSENCE

- Activer le mode ABSENCE :
 - Appuyez plusieurs fois rapidement sur la touche ⑨. Quand le voyant ④ du mode ABSENCE s'allume, le mode ABSENCE est sélectionné.
 - Le voyant du mode ABSENCE clignote alors pendant 5 secondes, ce qui indique que le mode ABSENCE est activé.
 - Quand le mode ABSENCE est activé, la température du réfrigérateur est réglée automatiquement sur 17°C et le réglage de la température du compartiment de congélation est disponible.
 - En mode ABSENCE, si vous réglez manuellement la température du réfrigérateur, le voyant du mode ABSENCE clignote pendant 3 secondes car l'opération de réglage de la température du réfrigérateur n'est pas disponible.

- Quitter le mode ABSENCE :
 - Appuyez rapidement sur la touche ⑨. Quand le voyant du mode ABSENCE s'éteint, l'appareil quitte le mode ABSENCE.

mode SUPER

Il est conseillé d'activer le mode SUPER 24 heures à l'avance si beaucoup d'aliments doivent être congelés en même temps.

- Activer le mode SUPER :
 - Appuyez plusieurs fois rapidement sur la touche ⑨. Quand le voyant ⑤ du mode SUPER s'allume, le mode SUPER est sélectionné.
 - Le voyant du mode SUPER clignote alors pendant 5 secondes, ce qui indique que le mode SUPER est activé.
 - Quand le mode SUPER est activé, la température du réfrigérateur est réglée automatiquement sur -25 et le réglage de la température du compartiment de réfrigération est disponible.
 - En mode SUPER, si vous réglez manuellement la température du congélateur, le voyant du mode SUPER clignote pendant 3 secondes car l'opération de réglage de la température du congélateur n'est pas disponible.
- Quitter le mode SUPER :
 - Appuyez rapidement sur la touche ⑨. Quand le voyant du mode SUPER s'éteint, l'appareil quitte le mode SUPER.



AVERTISSEMENT !

En mode SUPER, comme l'appareil fonctionne sous une lourde charge, le niveau sonore est légèrement plus élevé que d'habitude.

Mode défini par l'utilisateur

- Appuyez rapidement sur la touche ⑨ jusqu'à ce que les voyants des modes ECO/ ABSENCE/ SUPER soient éteints, ce qui indique que le mode défini par l'utilisateur est activé.
- Dans le mode défini par l'utilisateur, les utilisateurs peuvent définir manuellement la température du réfrigérateur et du congélateur.

Fonction d'alarme d'ouverture de porte

Si la porte du réfrigérateur reste ouverte pendant 60 secondes, l'alarme d'ouverture de porte retentit.

Utilisation

Première utilisation

Nettoyage de l'intérieur

Avant d'utiliser l'appareil pour la première fois, nettoyez l'intérieur et tous les accessoires internes avec de l'eau tiède et savonneuse pour enlever l'odeur caractéristique d'un appareil neuf, puis séchez soigneusement.



Important ! N'utilisez pas de détergents ou de poudres abrasives pour ne pas risquer d'endommager la finition.

Utilisation quotidienne

Placez les aliments dans les différents compartiments selon le tableau ci-dessous :

Compartiments du réfrigérateur	Type d'aliments
Porte ou balcons du compartiment de réfrigération	<ul style="list-style-type: none"> Aliments contenant des conservateurs naturels comme les confitures, les jus de fruits, les boissons ou les condiments. Ne conservez pas d'aliments périssables.
Bac à légumes (tiroir à salade)	<ul style="list-style-type: none"> Les fruits, les herbes aromatiques et les légumes doivent être placés séparément dans le bac à légumes. Ne conservez pas de bananes, d'oignons, de pommes de terre ou d'ail dans le réfrigérateur.
Clayette du réfrigérateur - milieu	<ul style="list-style-type: none"> Produits laitiers, œufs
Clayette du réfrigérateur - haut	<ul style="list-style-type: none"> Aliments sans cuisson, comme les repas tous prêts, les charcuteries, les restes.
Tiroir(s)/clayette(s) du congélateur	<ul style="list-style-type: none"> Aliments pour la conservation à long terme. Tiroir/clayette inférieur(e) pour la viande, la volaille, le poisson crus. Tiroir/clayette central(e) pour les légumes et chips congelés. Tiroir/clayette supérieur(e) pour la crème glacée, les fruits congelés, les pâtisseries surgelées.

Congélation d'aliments frais

- Le compartiment du congélateur convient à la congélation d'aliments frais et au stockage d'aliments surgelés et congelés pendant une longue période.
- Placez les aliments frais à congeler dans le compartiment du bas.
- Le nombre d'aliments maximal que vous pouvez congeler dans un délai de 24 heures est indiqué sur la plaque signalétique.

- Le processus de congélation dure 24 heures. N'ajoutez pas d'autres aliments à congeler pendant cette période.

Stockage d'aliments surgelés

Lors du premier démarrage ou après une période d'inutilisation, laissez l'appareil fonctionner au moins 2 heures sur les réglages les plus élevés avant de mettre des produits dans le compartiment.



Important ! En cas de dégivrage accidentel, par exemple à cause d'une coupure de courant dépassant la durée indiquée dans les caractéristiques techniques sous « temps de montée », les aliments décongelés doivent être consommés rapidement ou cuits immédiatement puis re-congelés (après cuisson).

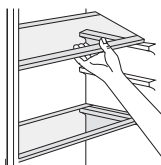
Décongélation

Avant d'être utilisés, les aliments surgelés ou congelés peuvent être décongelés dans le compartiment du Congélateur ou à température ambiante, selon le temps disponible pour cette opération.

Les aliments de petite taille peuvent même être cuits encore surgelés, directement depuis le congélateur. Dans ce cas, la cuisson est plus longue.

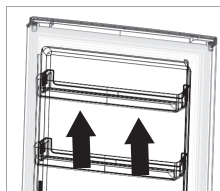
Clayettes amovibles accessoires

Les parois du réfrigérateur sont équipées de plusieurs glissières permettant un positionnement personnalisé des !



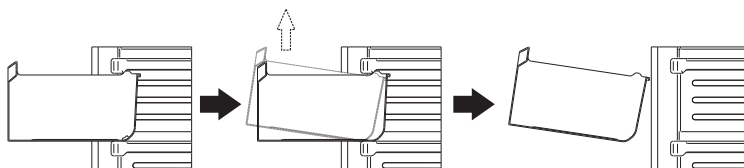
Positionnement des balconnets de porte

Les balcons de porte peuvent être démontés pour le nettoyage. Pour les démonter, tirez progressivement le balcon dans le sens des flèches jusqu'à ce qu'il se libère, puis remplacez-le après l'avoir nettoyé.



Démonter le tiroir du bas

1. Tirez le tiroir du bas en position de butée.
2. Soulevez l'avant du tiroir.
3. Tirez le tiroir du bas.



Conseils utiles

Conseils pour la congélation

Voici quelques conseils pour vous aider à tirer le meilleur parti du processus de congélation :

- la quantité d'aliments maximale que vous pouvez congeler dans un délai de 24 heures est indiquée sur la plaque signalétique ;
- le processus de congélation dure 24 heures. Il ne faut pas ajouter d'autres aliments à congeler pendant cette période ;
- ne congelez que des aliments de bonne qualité, frais et soigneusement nettoyés ;
- préparez les aliments en petites portions pour permettre une congélation rapide et complète et pour pouvoir ensuite décongeler uniquement la quantité nécessaire ;
- enveloppez les aliments dans du papier d'aluminium ou de polyéthylène et assurez-vous que les emballages sont hermétiques ;
- ne laissez pas des aliments frais, non congelés, toucher des aliments déjà congelés pour éviter une élévation de la température de ces derniers ;
- les aliments maigres se conservent mieux et plus longtemps que les aliments gras ; le sel réduit la durée de conservation des denrées alimentaires ;
- les sorbets, s'ils sont consommés immédiatement après le retrait du compartiment du congélateur, peuvent éventuellement causer des gelures ;
- il est conseillé d'indiquer la date de congélation sur chaque emballage individuel pour vous permettre de les retirer du compartiment du congélateur et d'éviter les gelures ;
- il est conseillé d'indiquer la date de congélation sur chaque emballage individuel pour vous permettre de surveiller la durée de stockage.

Conseils pour la conservation des aliments congelés

Pour obtenir les meilleures performances de cet appareil, il est conseillé :

- de vérifier que les produits alimentaires surgelés achetés dans le commerce ont été stockés convenablement par le vendeur ;
- de s'assurer que les aliments congelés sont transférés du magasin à votre congélateur en le moins de temps possible ;
- de ne pas ouvrir la porte trop souvent et de ne pas la laisser ouverte plus longtemps que nécessaire.

- Une fois décongelés, les aliments se détériorent rapidement et ne peuvent pas être recongelés.
- Ne dépassez pas la durée de conservation indiquée par le fabricant des produits alimentaires.

Conseils pour la réfrigération d'aliments frais

Pour obtenir les meilleures performances :

- Ne conservez pas d'aliments chauds ou de liquides en évaporation dans le réfrigérateur.
- Couvrez ou enveloppez les aliments, en particulier s'ils ont une forte odeur

Conseils pour la réfrigération

Conseils utiles :

- Tous types d'aliments : enveloppez les aliments dans des sachets de congélation et placez-les sur les clayettes en verre au-dessus du bac à légumes.
- Pour votre sécurité, il est recommandé de ne pas conserver les aliments plus d'un ou deux jours de cette façon.
- Aliments cuits, plats froids, etc ... : ils doivent être couverts et peuvent être placés sur n'importe quelle clayette.
- Fruits et légumes : ils doivent être soigneusement nettoyés et placés dans le(s) bac(s) fourni(s).
- Beurre et fromage : ils doivent être placés dans des récipients hermétiques spéciaux ou enveloppés dans une feuille d'aluminium ou des sacs en polyéthylène pour exclure le plus d'air possible.
- Bouteilles de lait : elles doivent être pourvues d'un bouchon et doivent être stockées dans les balconnets de la porte.
- Les bananes, pommes de terres, oignons et l'ail, s'ils ne sont pas emballés, ne doivent pas être conservés au réfrigérateur.

Nettoyage et entretien

Pour des raisons d'hygiène, l'intérieur de l'appareil, y compris les accessoires intérieurs, doivent être nettoyés régulièrement.



ATTENTION ! Déconnectez l'appareil du secteur pendant le nettoyage. Risque de choc électrique ! Avant le nettoyage, veuillez éteindre l'appareil et le débrancher du secteur, ou éteignez ou déconnectez le disjoncteur ou le fusible. N'utilisez jamais un nettoyeur à vapeur pour nettoyer l'appareil. L'humidité pourrait pénétrer dans les composants électriques et entraîner un risque de choc électrique ! Les vapeurs chaudes pourraient endommager les pièces en plastique. L'appareil doit être sec avant d'être remis en service.



Important ! Les huiles volatiles et les solvants organiques, comme le jus de citron ou le jus des peaux d'orange, l'acide butyrique, les produits de nettoyage contenant de l'acide acétique par exemple, peuvent attaquer les pièces en plastique.

- Ne laissez pas ces substances entrer en contact avec les parties de l'appareil.
- N'utilisez pas de produits nettoyants abrasifs.
- Retirez les aliments du congélateur. Conservez-les dans un endroit frais et bien couvert.
- Éteignez l'appareil et débranchez-le du secteur, ou éteignez ou déconnectez le disjoncteur ou le fusible.
- Nettoyez l'appareil et les accessoires intérieurs avec un chiffon et de l'eau tiède. Après le nettoyage, essuyez l'appareil avec de l'eau fraîche et séchez-le.
- Remettez l'appareil en service une fois qu'il est sec.

Dépannage



ATTENTION ! Avant le dépannage, débranchez l'appareil du secteur. Seul un électricien qualifié ou une personne compétente est autorisé à effectuer des interventions sur l'appareil qui ne sont pas indiquées dans ce manuel.



Important ! L'utilisation normale génère des sons/du bruit (compresseur, circulation du réfrigérant).

Problème	Cause possible	Solution
L'appareil ne fonctionne pas	<ul style="list-style-type: none"> • Le bouton de réglage de la température est sur le réglage le plus froid. • La fiche n'est pas branchée ou est desserrée. • Le fusible a sauté ou est défectueux • La prise de courant est défectueuse. 	<ul style="list-style-type: none"> • Réglez le bouton sur une autre position et allumez l'appareil. • Branchez la fiche. • Vérifiez le fusible, remplacez-le si nécessaire. • Les dysfonctionnements des prises de courant doivent être réparés par un électricien.
L'appareil congèle ou refroidit trop	<ul style="list-style-type: none"> • Le réglage de la température est trop froid ou l'appareil fonctionne à une température trop froide. 	<ul style="list-style-type: none"> • Réglez temporairement la température sur une position plus chaude.

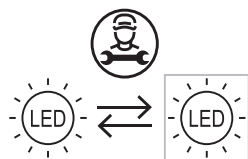
Problème	Cause possible	Solution
Les aliments ne sont pas assez congelés.	<ul style="list-style-type: none"> • La température n'est pas correctement réglée. • La porte est restée ouverte pendant une période prolongée. • Une grande quantité d'aliments chauds a été placée dans l'appareil au cours des dernières 24 heures. • L'appareil est à proximité d'une source de chaleur. 	<ul style="list-style-type: none"> • Veuillez vous référer au paragraphe Réglage de la température. • N'ouvrez pas la porte plus longtemps que nécessaire. • Réglez temporairement la température sur une position plus froide. • Veuillez vous référer au paragraphe Emplacement d'installation.
Accumulation importante de givre sur le joint de la porte.	<ul style="list-style-type: none"> • Le joint de la porte n'est pas hermétique. 	<ul style="list-style-type: none"> • Réchauffez avec précaution les sections du joint de la porte qui fuient avec un sèche-cheveux (en position froide). Façonnez en même temps le joint de porte chauffé à la main de sorte qu'il prenne la bonne forme.
Bruits inhabituels	<ul style="list-style-type: none"> • L'appareil n'est pas horizontal. • L'appareil touche le mur ou d'autres objets. • Un composant à l'arrière de l'appareil, un tuyau par exemple, touche une autre pièce de l'appareil ou le mur. 	<ul style="list-style-type: none"> • Réajustez les pieds. • Déplacez légèrement l'appareil. • Si nécessaire, pliez avec soin le composant pour l'éloigner.
Présence d'eau sur le sol	<ul style="list-style-type: none"> • L'orifice d'évacuation d'eau est obstrué. 	<ul style="list-style-type: none"> • Consultez la section Nettoyage et entretien.
Les parois latérales sont chaudes.	<ul style="list-style-type: none"> • C'est normal. Les parties d'échange de chaleur sont sur les côtés. 	<ul style="list-style-type: none"> • Prenez des gants pour toucher les côtés si nécessaire.

Si le dysfonctionnement réapparaît, contactez le centre de service.

Ces données sont nécessaires pour vous aider rapidement et correctement. Écrivez ici les données nécessaires, reportez-vous à la plaque signalétique.

Remplacement de l'ampoule

- Ce produit contient une source lumineuse dont la classe d'efficacité énergétique est G.
- La source lumineuse de ce produit peut uniquement être remplacée par des professionnels qualifiés.
- Veuillez contacter le Service après-vente si la source lumineuse ne fonctionne plus.
- La lampe peut être enlevée à la fin de la vie utile du produit, et triée et recyclée séparément.



Bedankt!

Proficiat met uw keuze voor een product van VALBERG. De selectie en de testen van de toestellen van VALBERG gebeuren volledig onder controle en supervisie van ELECTRO DEPOT. We staan garant voor de kwaliteit van de toestellen van VALBERG, die uitmunten in hun eenvoudig gebruik, hun betrouwbare werking en hun onberispelijke kwaliteit.

ELECTRO DEPOT beveelt de VALBERG toestellen aan en is ervan overtuigd dat u uiterst tevreden zal zijn bij elk gebruik van het toestel. Welkom bij ELECTRO DEPOT.

Bezoek onze website: www.electrodepot.be



ELECTRO DEPOT

40

NL

A

Overzicht van het toestel

Gebruiks- en omgevingstemperatuur
Instellen van de thermostaat
Onderdelen

B

Gebruik van het toestel

Installatie
Gebruikersinterface
Gebruik
Handige tips

C

Reiniging en onderhoud

Reiniging en onderhoud
Probleemoplossing

Gebruiks- en omgevingstemperatuur

We raden aan om de klassieke klimaatklassen die aangeduid worden op de productfiche en op het typeplaatje te respecteren, hierdoor kunt u nagaan binnen welk omgevingstemperatuurbereik het toestel kan worden gebruikt:

- SN: Tussen 10 en 32°C
- N: Tussen 16 en 32°C
- ST: Tussen 16 en 38°C
- T: Tussen 16 en 43°C

Een toestel met multiklassen kan de laagste en hoogste temperatuur van alle gedekte klassen bereiken. Het gebruik van het toestel buiten dit omgevingstemperatuurbereik tast de prestaties en de levensduur van het toestel aan.

Instellen van de thermostaat

Voor een optimaal gebruik en energiebesparing, raden we aan de thermostaat van het toestel te regelen volgens de omgevingstemperatuur waarin het toestel gebruikt wordt onder voorbehoud van het naleven van de klimaatklasse(n).

Raadpleeg het productinformatieblad om de klimaatklasse te kennen die verbonden is aan de minimale en maximale omgevingstemperaturen aangepast aan het toestel, en voor de aanbevolen temperatuurinstelling voor een optimale opslag van de voedingswaren.

De graden van de omgevingstemperatuur T° C worden ter informatie gegeven.

De plaatsing in de ruimte, de frequentie van het openen van de deur(en) of de mate waarin het toestel met voedingsmiddelen is gevuld, kunnen de voormelde posities beïnvloeden.

De positie(s) van de thermostaat (thermostaten) kan (kunnen) worden aangepast om deze factoren te compenseren.

Voorbeelden van de ruimte waarin het toestel wordt gebruikt:

- Ruimte die niet verwarmd wordt in de winter, zoals een garage in een koude streek.
- Leefruimte die normaal verwarmd wordt, zoals een keuken.
- Ruimte zonder airco in de zomer in een warme streek.

Onderdelen

A Planken koelkast

E Vershoudlade

B Wijnrek

F Vriesladen

C Groenteladedeksel

G Verstelbare voeten

D Groentelade

H Deurrekken koelkast



Opmerking: Bovenstaande afbeelding dient enkel ter referentie. Het werkelijke apparaat is waarschijnlijk anders.

Installatie

Ruimtevereisten

- Kies een locatie zonder directe blootstelling aan zonlicht.
- Kies een locatie met voldoende ruimte om de deuren van de koelkast gemakkelijk te kunnen openen.
- Kies een locatie met een vlakke (of bijna vlakke) vloer.
- Zorg voor voldoende ruimte om de koelkast op een vlakke ondergrond te plaatsen.
- Laat bij de plaatsing ruimte aan de rechter-, linker-, achter- en bovenkant. Dit helpt het stroomverbruik te verminderen en uw energierekening te verlagen.
- Houd minimaal 50 mm ruimte aan de zijkanten en achterkant.

Plaatsing

Plaats dit apparaat op een plaats waar de omgevingstemperatuur overeenkomt met de op het typeplaatje van het apparaat aangegeven klimaatklasse: voor koelapparaten met klimaatklasse:

- verlengd gematigd: dit koelapparaat is bedoeld voor gebruik bij omgevingstemperaturen van 10 °C tot 32 °C; (SN)
- gematigd: dit koelapparaat is bedoeld voor gebruik bij omgevingstemperaturen van 16 °C tot 32 °C; (N)
- subtropisch: dit koelapparaat is bedoeld voor gebruik bij omgevingstemperaturen van 16 °C tot 38 °C; (ST)
- tropisch: dit koelapparaat is bedoeld voor gebruik bij omgevingstemperaturen van 16 °C tot 43 °C; (T)

Locatie

Het apparaat moet op ruime afstand van warmtebronnen zoals radiatoren, boilers, direct zonlicht, etc. worden geplaatst. Voor een optimale werking moet, als het apparaat onder een overhangend wandmeubel wordt geplaatst, de minimale afstand tussen de bovenkant van de koelkast en het wandmeubel ten minste 50 mm bedragen. Idealiter wordt het apparaat echter niet onder overhangende wandmeubels geplaatst. Het nauwkeurig waterpas stellen wordt gerealiseerd door een of meer verstelbare voeten onder de koelkast. Dit koelapparaat is niet bedoeld voor gebruik als inbouwapparaat.



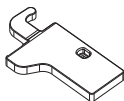
- **WAARSCHUWING!** Het apparaat moet van het stroomnet kunnen worden losgekoppeld; de stekker moet daarom na de plaatsing gemakkelijk bereikbaar zijn.

Elektrische aansluiting

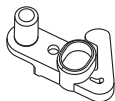
Controleer voor het aansluiten of de spanning en de frequentie op het typeplaatje overeenkomen met de stroomvoorziening in uw huis. Het apparaat moet worden geaard. De stekker van de voedingskabel is hiervoor voorzien van een contact. Als het stopcontact niet geaard is, moet u het apparaat op een aparte aarde aansluiten volgens de geldende voorschriften en een gekwalificeerde elektricien raadplegen. De fabrikant wijst alle verantwoordelijkheid af als de bovenstaande veiligheidsmaatregelen niet in acht worden genomen. Dit apparaat voldoet aan de EEG. Richtlijnen.

Draairichting deur wijzigen

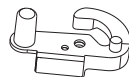
Voor het wijzigen van de draairichting van de deur bent u het volgende gereedschap en materiaal benodigd: sleufkopschroevendraaier, kruiskopschroevendraaier, moersleutel en de meegeleverde onderdelen in de zak accessoires:



Scharnierafdekking deur
links 1x



Sluithulp bovenste deur
links 1x



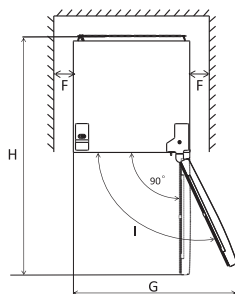
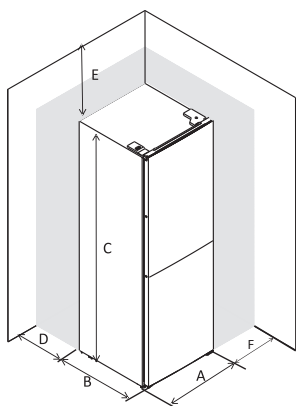
Sluithulp onderste deur
links 1x

- 1 Schroef de bovenste scharnierafdekking los en koppel de stekkers van de deurschakelaar en kabelbundel los.
- 2 Schroef het bovenste scharnier los.
- 3 Verwijder de pen met een schroevendraaier en wip de scharnierbeugel los. Monteer vervolgens de pen aan de scharnierbeugel.
- 4 Verplaats de deurschakelaar van de rechter scharnierafdekking naar de linker scharnierafdekking uit de zak accessoires.
- 5 Maak de afdekking aan de bovenzijde van de bovenste deur los en verplaats de kabelbundel van recht naar links en plaats de afdekking terug.
- 6 Verplaats de linker afdekking aan de bovenkant naar rechts.
- 7 Verwijder de bovenste deur, schroef het middelste scharnier los met een kruiskopschroevendraaier en verwijder vervolgens de onderste deur.
- 8 Verplaats de kappen van de scharniergaten van links naar rechts.
- 9 Schroef het onderste scharnier los. Verwijder vervolgens de verstelbare voeten aan beide zijdes.
- 10 Schroef de onderste scharnierpen los en verwijder deze, draai de beugel om en plaats deze terug.
- 11 Monteer de beugel die op de onderste scharnierpen past. Bevestig beide verstelbare voeten opnieuw.
- 12 Verwijder de sluithulpen van de onderkant van de bovenste en onderste deuren, pak dan nieuwe sluithulpen uit de zak accessoires en installeer ze aan de linkerkant.

- 13 Maak de afdichtingen van de koelkast- en vriezerdeur, draai ze en bevestig ze opnieuw.
- 14 Installeer de onderste deur, stel het middelste scharnier af en schroef het vast.
- 15 Vervang de bovenste deur, zorg voor een goede afdichting dat de deur uitgelijnd is met de behuizing en goed afsluit. Verbind vervolgens de deur met de behuizing door middel van een stevig bevestigd scharnier aan de bovenkant.
- 16 Verbind de kabelbundels van deur en behuizing. Vervang vervolgens de afdekking van het scharnier aan de bovenkant. Sluit de klemmen van de deurschakelaar aan voordat u de afdekking vastschroeft.

Ruimtevereisten

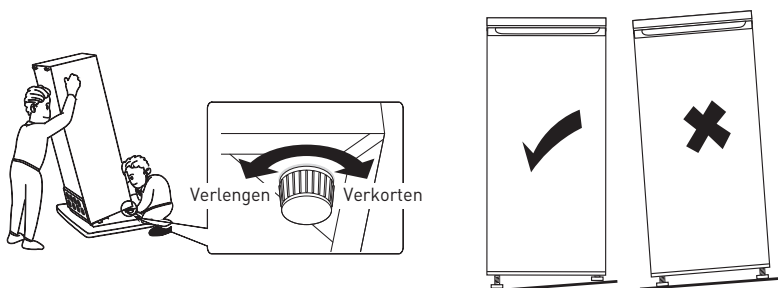
- Zorg voor voldoende ruimten om de deur te kunnen openen.
- Houd minimaal 50 mm ruimte aan de zijkanten en achterkant.



A	600
B	685
C	1850
D	min=50
E	min=50
F	min=50
G	1200
H	1285
I	135°

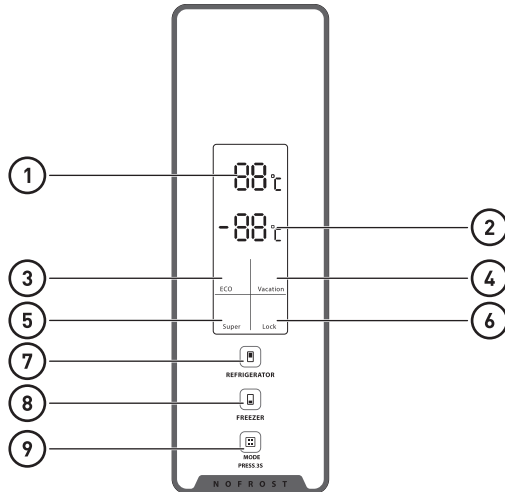
Het apparaat waterpas stellen

- Om dit te doen stelt u de twee verstelbare voeten aan de voorkant van het apparaat af.
- Als het apparaat niet waterpas staat, lijnen de deuren en magnetische afdichtingen niet goed uit en dicht en ze niet goed af.



Gebruikersinterface

Gebruik van het bedieningspaneel



Toetsen bedienen

Temperatuurregeling van de koelkast

⑦

- Deze toets is beschikbaar in de door de gebruiker gedefinieerde modus en in de SUPER-modus, niet in de ECO-modus en de VAKANTIE-modus.
- Door deze toets kort aan te raken selecteert u de temperatuur van de koelkast.

Temperatuurregeling van de vriezer

⑧

- Deze toets is beschikbaar in de door de gebruiker gedefinieerde modus en in de VAKANTIE-modus, niet in de SUPER-modus en de ECO-modus.
- Door deze toets kort aan te raken selecteert u de temperatuur van de vriezer.

Bedrijfsmodus selecteren/vergrendelen/ontgrendelen

⑨

- Raak deze toets 3 seconden aan om het bedieningspaneel te vergrendelen of te ontgrendelen.
- Door deze toets kort aan te raken terwijl in de status ontgrendeld, selecteert u de bedrijfsmodus (ECO-modus/VAKANTIE-modus/SUPER-modus/door de gebruiker gedefinieerde modus).

Weergave

- ① Instellen van de temperatuurweergave van de koelkast
- In dit gebied wordt de insteltemperatuur van de koelkast weergegeven. Neem contact op met het servicecentrum als er in dit gebied E0, E1, E2, E3 of E5 wordt weergegeven.
-
- ② Instellen van de temperatuurweergave van de vriezer
- In dit gebied wordt de insteltemperatuur van de vriezer weergegeven.

Indicatoren

- ③ Indicator ECO-modus
- Dit lampje brandt als de ECO-modus is geselecteerd.
-
- ④ Indicator VAKANTIE-modus
- Dit lampje brandt wanneer de VAKANTIE-modus is geselecteerd.
-
- ⑤ Indicator SUPER-modus
- Dit lampje brandt wanneer de SUPER-modus is geselecteerd.
-
- ⑥ Indicator vergrendeld/ontgrendeld
- Dit lampje brandt als het bedieningspaneel is vergrendeld.

ToetsenverlichtingBediening en weergave

- Het bedieningspaneel zal gedurende 3 seconden 100% oplichten, wat precies werkt volgens de instelling voordat de stroom wordt uitgeschakeld. Daarna kunt u het bedienen.
- Zorg ervoor dat het bedieningspaneel in de ontgrendelde status staat voordat u het bedient.
- In de vergrendelde status knippert de indicator vergrendeld/ontgrendeld gedurende 3 seconden wanneer u een willekeurige bedieningstoets kort aanraakt, maar er zijn geen bedieningen mogelijk.
- Het bedieningspaneel wordt 25 seconden na de laatste bediening 25s vergrendeld.
- Het bedieningspaneel zal 2 minuten na de laatste bediening 100% uitgaan.
- Het bedieningspaneel licht op zodra de deur van de koelkast wordt geopend.
- Het bedieningspaneel licht op zodra de bedieningstoetsen kort worden aangeraakt.
- Er klinkt een piep voor iedere belangrijke bediening.



Temperatuurinstelling van de koelkast

- In de door de gebruiker gedefinieerde modus of in de SUPER-modus wordt door het herhaaldelijk kort aanraken van de toets ⑦ de temperatuur van de koelkast in een cirkel van 2 °C tot 8 °C weergegeven.
- De insteltemperatuur wordt bevestigd na 5 seconden knipperen van de indicator.

Temperatuurinstelling van de vriezer

- In de door de gebruiker gedefinieerde modus of in de SUPER-modus wordt door het herhaaldelijk kort aanraken van de toets ⑧ de temperatuur van de vriezer in een cirkel van -14 °C tot -22 °C weergegeven.
- De insteltemperatuur wordt bevestigd na 5 seconden knipperen van de indicator.

Aanbevolen temperatuurinstelling

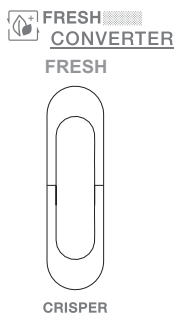
Aanbevolen temperatuurinstelling		
Omgevingstemperatuur	Koelkast	Vriezer
Zomer Normaal Winter		

Temperatuurregeling van de vershoudzone

- De temperatuur van de vershoudzone kan worden aangepast aan het soort bewaard voedsel.
- Schuif de knop naar boven, de temperatuur in de vershoudzone zal geleidelijk worden verlaagd.
- Wanneer de knop op de stand "CRISPER" wordt gezet, kan de vershoudzone als een groentelade functioneren en de juiste temperatuur en luchtvochtigheid voor fruit en groente handhaven.
- Wanneer de knop op de stand "FRESH" wordt gezet is de vershoudzone geschikt voor het kortstondig bewaren van vis of ander vers voedsel. Het voedsel blijft vers, maar niet bevroren, waardoor het de beste keuze is voor het bewaren van vers voedsel.



Tips: Wanneer u kiest voor de "FRESH" -functie, is het aan te raden om de temperatuur van de koelkast lager dan 4 °C in te stellen en het voedsel niet langer dan 3 dagen te bewaren, om het voedsel vers te houden.



Thermostaatinstelling voor ambient T °C : NORMAAL ≈ +24°C (± 4°C) 3°C/-19°C

Thermostaatinstelling voor ambient T °C : KOUD ≈ +16°C (± 4°C) 3°C/-19°C

Thermostaatinstelling voor ambient T °C : HEET ≈ +32°C (± 4°C) 3°C/-19°C

ECO-modus inschakelen

- ECO-modus inschakelen:
 - Raak herhaaldelijk kort de toets ⑨ aan wanneer ③ (indicator voor de ECO-modus) brandt. ECO-modus is geselecteerd.
 - Na 5 seconden knipperen van de indicator voor de ECO-modus wordt de ECO-modus ingeschakeld.
 - In de ECO-modus past de koelkast automatisch de temperatuur van de twee vakken aan afhankelijk van de binnen- en omgevingstemperatuur.
 - Als u de temperatuur van de koelkast of vriezer in de ECO-modus handmatig instelt, zal de indicator voor de ECO-modus gedurende 3 seconden knipperen en functioneren de bedieningen van koel- en vriestemperatuurinstelling niet.
- ECO-modus uitschakelen:
 - Raak kort op toets ⑨ aan wanneer de indicator voor de ECO-modus uit is en de ECO-modus wordt uitgeschakeld.


VAKANTIE-modus

- VAKANTIE-modus inschakelen:
 - Raak herhaaldelijk kort de toets ⑨ aan wanneer ④ (indicator voor de VAKANTIE-modus) brandt. VAKANTIE-modus is geselecteerd.
 - Na 5 seconden knipperen van de indicator voor de VAKANTIE-modus wordt de VAKANTIE-modus ingeschakeld.
 - Wanneer de VAKANTIE-modus is ingeschakeld, wordt de temperatuur van de koelkast automatisch ingesteld op 17 °C. De temperatuurinstelling van de vriezer is beschikbaar.
 - Als u de temperatuur van de koelkast in de VAKANTIE-modus handmatig instelt, zal de indicator voor de VAKANTIE-modus gedurende 3 seconden knipperen en functioneren de bedieningen van koeltemperatuurinstelling niet.
- VAKANTIE-modus uitschakelen:
 - Raak kort de toets ⑨ aan wanneer de indicator voor de VAKANTIE-modus uit is en de VAKANTIE-modus wordt uitgeschakeld.

SUPER-modus inschakelen

Het is raadzaam om de SUPER-modus 24 uur van tevoren in te stellen, als er veel voedsel in één keer moet worden ingevroren.

- SUPER-modus inschakelen:
 - Raak herhaaldelijk kort de toets ⑨ aan wanneer ⑤ (indicator voor de SUPER-modus) brandt. SUPER-modus is geselecteerd.
 - Na 5 seconden knipperen van de indicator voor de SUPER-modus wordt de SUPER-modus geactiveerd.
 - Wanneer de SUPER-modus is ingeschakeld, wordt de temperatuur van de vriezer automatisch ingesteld op -25 °C. De temperatuurinstelling van de koelkast is beschikbaar.
 - Als u de temperatuur van de vriezer in de SUPER-modus handmatig instelt, zal de indicator voor de SUPER-modus gedurende 3 seconden knipperen en functioneren de bedieningen van vriestemperatuurinstelling niet.


- SUPER-modus uitschakelen:
 - Raak kort de toets  aan wanneer de indicator voor de SUPER-modus uit is en de SUPER-modus wordt uitgeschakeld.



WAARSCHUWING!

In de SUPER-modus zal het apparaat onder zware belasting blijven draaien en zal het geluidsniveau iets hoger dan normaal zijn.

Door de gebruiker gedefinieerde modus

- Raak kort de toets  aan totdat de indicatoren voor de ECO-modus, VAKANTIE-modus en SUPER-modus allemaal uit zijn. De door de gebruiker gedefinieerde modus is ingeschakeld.
- In de door de gebruiker gedefinieerde modus kan de gebruiker de temperatuur van de koelkast en vriezer handmatig instellen.

Alarmfunctie geopende deur

Als de deur van de koelkast gedurende 60 seconden open blijft staan gaat er een alarm af.

Gebruik

Eerste gebruik

De binnenkant reinigen

Voordat u het apparaat voor het eerst gebruikt, reinigt u de binnenkant en alle interne accessoires met lauw water en wat neutrale zeep om de typische geur van een gloednieuw product te verwijderen. Droog het apparaat vervolgens grondig.



Belangrijk! Gebruik geen reinigingsmiddelen of schuurmiddelen, omdat deze de afwerking beschadigen.

Dagelijks gebruik

Plaats verschillende soorten voedsel in de verschillende compartimenten volgens onderstaande tabel:

Koelkastcompartimenten	Soort voedsel
Deur of deurrek van de koelkast	<ul style="list-style-type: none"> • Voedsel met natuurlijke conserveringsmiddelen, zoals jam, sap, drinken, kruiden. • Bewaar geen bederfelijk voedsel.
Groentelade	<ul style="list-style-type: none"> • Fruit, kruiden en groenten moeten apart in de groentelade worden bewaard. • Bewaar bananen, uien, aardappelen en knoflook niet in de koelkast.
Plank koelkast - midden	<ul style="list-style-type: none"> • Zuivelproducten, eieren

Plan koelkast - boven

- Voedsel dat niet hoeft te worden gekookt, zoals kant-en-klaar voedsel, vleeswaren, restjes.

Laden/planken vriezer

- Voedsel voor langdurig bewaren.
- Onderste lade/plank voor rauw vlees, gevogelte, vis.
- Middelste lade/plank voor diepvriesgroenten, patat.
- Bovenste lade/plank voor ijs, diepvriesfruit, diepvriesbakproducten.

Vers voedsel invriezen

- Het vriesvak is geschikt voor het invriezen van vers voedsel en het langdurig bewaren van bevroren en diepgevroren voedsel.
- Plaats het in te vriezen verse voedsel in het onderste compartiment.
- De maximale hoeveelheid voedsel die in 24 uur kan worden ingevroren, staat vermeld op het typeplaatje.
- Het invriesproces duurt 24 uur: voeg in deze periode geen ander in te vriezen voedsel toe.

Bevroren voedsel bewaren

Bij de eerste ingebruikname of na een periode van buitengebruikstelling. Laat het apparaat minstens 2 uur draaien op de hogere instellingen voordat u het product in het compartiment plaatst.



Belangrijk! In het geval van accidentele ontdooiing, bijvoorbeeld wanneer de stroom langer is uitgeschakeld dan de waarde die op de technische kenmerkenkaart onder "rising time" staat vermeld, moet het ontdooide voedsel snel worden geconsumeerd of onmiddellijk worden gekookt en vervolgens opnieuw worden ingevroren (na het koken).

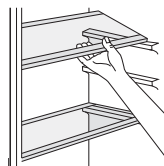
Ontdooien

Diepgevroren of bevroren voedsel kan, voorafgaand aan het gebruik, worden ontdooid in het vriescompartiment of op kamertemperatuur, afhankelijk van de tijd die beschikbaar is voor deze handeling.

Kleine stukken voedsel kunnen zelfs nog bevroren gekookt worden, direct uit de vriezer. In dit geval duurt het koken langer.

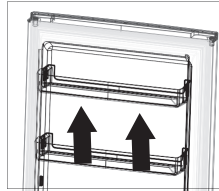
Accessoires verplaatsbare planken

De wanden van de koelkast zijn voorzien van een serie rails, zodat de schappen naar wens kunnen worden!



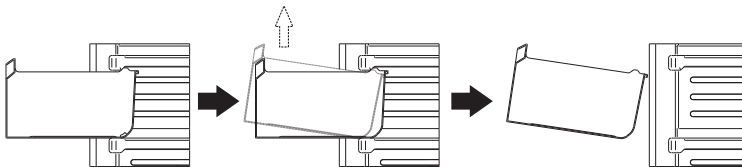
Deurrekken plaatsen

Deurrekken kunnen worden verwijderd voor reiniging. Om deze te verwijderen gaat u als volgt te werk: trek het deurrek geleidelijk in de richting van de pijlen tot het los komt en plaats deze terug na reiniging.



De onderste lade verwijderen

1. Trek de onderste lade uit tot aan de blokkering.
2. Til de voorkant van de lade op.
3. Trek de onderste lade eruit.



Handige tips

Tips voor invriezen

Om u te helpen om het vriesproces optimaal te benutten, zijn hier enkele belangrijke tips:

- De maximale hoeveelheid voedsel die in 24 uur kan worden ingevroren staat op het typeplaatje.
- Het invriesproces duurt 24 uur. Voeg in deze periode geen ander in te vriezen voedsel toe.
- Vries alleen topkwaliteit, vers en grondig gereinigd voedsel in.
- Bereid het voedsel in kleine porties voor, zodat het snel en volledig kan worden ingevroren en vervolgens alleen de benodigde hoeveelheid kan worden ontdooid.
- Wikkel het voedsel in aluminiumfolie of polyethyleen en zorg ervoor dat de verpakkingen luchtdicht zijn.
- Laat vers, niet-bevroren voedsel niet in aanraking komen met reeds bevroren voedsel om te voorkomen dat de temperatuur van het reeds bevroren voedsel stijgt.
- Mager voedsel is beter en langer houdbaar dan vet voedsel; Zout vermindert de houdbaarheid van voedsel.
- Waterijs, indien het direct na verwijdering uit het vriesvak wordt geconsumeerd, kan mogelijk de huid bevriezen.
- Het is raadzaam om de invriesdatum op elke individuele verpakking te vermelden, zodat u deze uit het vriesvak kunt halen, kan mogelijk de huid bevriezen.

- Het is raadzaam om de invriesdatum op elke individuele verpakking te vermelden, zodat u de bewaartijd in de gaten kunt houden.

Tips voor het bewaren van bevroren voedsel

Om de beste prestaties uit dit apparaat te halen, moet u:

- Ervoor te zorgen dat het commercieel ingevroren voedsel adequaat door de detailhandelaar adequaat worden opgeslagen.
- Ervoor zorgen dat het bevroren voedsel zo snel mogelijk in het vriesvak wordt geplaatst.
- De deur niet te vaak openen of langer dan noodzakelijk open laten staan.
- Ontdooit voedsel niet opnieuw invriezen, eenmaal ontdooit gaat het voedsel snel achteruit.
- De bewaardatum van de fabrikant van het voedsel niet overschrijden.

Tips voor het koelen van vers voedsel

Om de beste prestaties uit dit apparaat te halen, moet u:

- Geen warm voedsel of verdampende vloeistoffen in de koelkast bewaren.
- Het voedsel niet afdekken of inwickelen, vooral als het een sterke smaak heeft.

Tips voor koelen

Handige tips:

- Merk (alle soorten): in polyethyleen zakken wikkelen en op de glazen planken boven de groentelade leggen.
- Voor uw veiligheid kunt u voedsel op deze manier slechts één of maximaal twee dagen bewaren.
- Gekookt voedsel, koude schotels, etc.: deze moeten worden afgedekt en kunnen op elke plank worden geplaatst.
- Groenten en fruit: deze dienen grondig te worden gereinigd en in de daarvoor bestemde speciale lade(s) te worden geplaatst.
- Boter en kaas: deze moeten in speciale luchtdichte verpakkingen worden geplaatst of in aluminiumfolie of polyethyleen zakken worden gewikkeld om zoveel mogelijk lucht uit te sluiten.
- Melkfles: deze moet een dop hebben en moet worden bewaard in de deurrekken.
- Bananen, aardappelen, uien en knoflook, indien niet verpakt, mogen niet in de koelkast worden bewaard.

Reiniging en onderhoud

Om hygiënische redenen moet de binnenkant van het apparaat, inclusief de interne accessoires, regelmatig worden gereinigd.



VOORZICHTIG! Het apparaat mag tijdens de reiniging niet op het stroomnet zijn aangesloten. Gevaar voor een elektrische schok! Schakel het apparaat uit en trek de stekker uit het stopcontact, of schakel de stroomonderbreker of zekering uit voordat u het apparaat reinigt. Reinig het apparaat nooit met een stoomreiniger. Vocht kan zich ophopen in elektrische onderdelen en een gevaar voor een elektrische schok veroorzaken! Hete dampen kunnen leiden tot beschadiging van kunststof onderdelen. Het apparaat moet droog zijn voordat het weer in gebruik wordt genomen.



Belangrijk! Etherische oliën en organische oplosmiddelen kunnen kunststof onderdelen aantasten, bijvoorbeeld citroensap of het sap van sinaasappelschillen, boterzuur, reinigingsmiddel dat azijnzuur bevat.

- Vermijd dat dergelijke stoffen in contact komen met de onderdelen van het apparaat.
- Gebruik geen schurende reinigingsmiddelen.
- Haal het voedsel uit de vriezer. Bewaar het voedsel op een koele, goed afgedekte plaats.
- Schakel het apparaat uit en trek de stekker uit het stopcontact of schakel de stroomonderbreker of zekering uit.
- Reinig het apparaat en de interne accessoires met een doek en lauw water. Na het reinigen afvegen met vers water en droogwrijven.
- Nadat alles droog is, kunt u het apparaat weer in gebruik nemen.

Probleemoplossing



VOORZICHTIG! Voordat u problemen oplost, dient u de stroomtoevoer te onderbreken. Alleen een gekwalificeerde elektricien of een bevoegd persoon mag problemen oplossen die niet in deze handleiding staan vermeld.



Belangrijk! Tijdens de normale werking is er enig geluid (compressor of koelmiddelcirculatie).

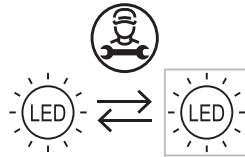
Probleem	Mogelijke oorzaak	Oplossing
Het apparaat werkt niet.	<ul style="list-style-type: none"> • De temperatuurregelknop staat op de koudste stand • De stekker zit niet in het stopcontact of zit los. • De zekering is doorgebrand of defect • Het stopcontact is defect. 	<ul style="list-style-type: none"> • Zet de knop op een andere stand op het apparaat. • Steek de stekker in het stopcontact. • Controleer de zekering, vervang deze indien nodig. • Storingen van het elektriciteitsnet moeten door een elektricien worden verholpen.
Apparaat bevriest of koelt te veel.	<ul style="list-style-type: none"> • De temperatuur is te koud ingesteld of het apparaat werkt in de koudste modus. 	<ul style="list-style-type: none"> • Zet de temperatuurregelaar tijdelijk op een warmere stand.
Het voedsel is niet goed bevroren.	<ul style="list-style-type: none"> • De temperatuur is niet goed ingesteld. • De deur stond voor langere tijd open. • In de afgelopen 24 uur is een grote hoeveelheid warm voedsel in het apparaat geplaatst. • Het apparaat staat in de buurt van een warmtebron. 	<ul style="list-style-type: none"> • Kijk in het hoofdstuk over de initiële temperatuurinstelling. • Open de deur zo kort mogelijk. • Zet de temperatuurregeling tijdelijk op een koudere stand. • Kijk in het hoofdstuk over de plaatsingslocatie.

Probleem	Mogelijke oorzaak	Oplossing
Grote opbouw van ijs op de deurafdichting.	<ul style="list-style-type: none"> • De deurafdichting dicht niet goed af. 	<ul style="list-style-type: none"> • Verwarm de lekkende delen van de deurafdichting voorzichtig met een haardroger (op een koele stand). Vorm tegelijkertijd de verwarmde deurafdichting met de hand zodat deze goed afdicht. vormen dat deze goed zit.
Ongebruikelijk lawaai.	<ul style="list-style-type: none"> • Het apparaat staat niet waterpast. • Het apparaat raakt de muur of andere voorwerpen. • Een onderdeel, bijvoorbeeld een buis, aan de achterkant van het apparaat raakt een ander deel van het apparaat of de muur. 	<ul style="list-style-type: none"> • Stel de verstelbare voeten opnieuw af. • Verplaats het apparaat een klein stukje. • Indien nodig, buig het onderdeel voorzichtig uit de weg.
Water op de vloer.	<ul style="list-style-type: none"> • Het waterafvoergat is geblokkeerd. 	<ul style="list-style-type: none"> • Zie het hoofdstuk Reinigen.
De zijpanelen zijn warm.	<ul style="list-style-type: none"> • Dit is normaal. Er zitten warmtewisselende onderdelen in de zijkanten. 	<ul style="list-style-type: none"> • Draag handschoenen om de zijkanten aan te raken indien nodig.

Als de storing zich opnieuw voordoet, neem dan contact op met het servicecentrum. Deze gegevens zijn nodig om u snel en correct te kunnen helpen. Schrijf hier de benodigde gegevens op, zie hiervoor het typeplaatje.

De lamp vervangen

- Dit product heeft een lichtbron van energie-efficiëntieklasse G.
- De lichtbron van dit product mag enkel vervangen worden door gekwalificeerde professionals.
- Gelieve contact op te nemen met de dienst na verkoop wanneer de lichtbron defect is.
- De lichtbron dient op het einde van de levensduur van het product te worden verwijderd, waarbij het sorteren en recycleren afzonderlijk gebeurt.





¡Muchas gracias!

Muchas gracias por haber elegido nuestro producto VALBERG. Seleccionados, testados y recomendados por ELECTRO DEPOT, los productos de la marca VALBERG le aseguran una utilización sencilla, un rendimiento fiable y una calidad incuestionable.

Con este dispositivo puede estar seguro de que siempre quedará satisfecho al utilizarlo. Le damos la bienvenida a ELECTRO DEPOT.

Visite nuestra página web: www.electrodepot.es



ELECTRO DEPOT

60

ES

A

Descripción del aparato

Temperaturas ambientales de uso
Ajuste del termostato
Partes

B

Utilización del aparato

Instalación
Interfaz del usuario
Utilización
Indicaciones y consejos útiles

C

Limpieza y mantenimiento

Limpieza y mantenimiento
Solución de problemas

Temperaturas ambientales de uso

Se recomienda respetar las clases climáticas indicadas en la ficha de producto sobre la placa de características del aparato. Esto le permitirá comprobar en qué rangos de temperatura ambiente se puede usar el aparato:

- SN: Entre 10 y 32°C
- N: Entre 16 y 32°C
- ST: Entre 16 y 38°C
- T: Entre 16 y 43°C

Un aparato de multiclase puede controlar la temperatura más baja y la más alta de todas las clases cubiertas. El uso del aparato fuera del rango de temperatura ambiente puede afectar al rendimiento y a la vida útil del aparato.

Ajuste del termostato

Para ahorrar energía y conseguir un uso óptimo, se recomienda ajustar el/los termostato(s) del aparato según la temperatura ambiente de la habitación en la que se esté usando, respetando la(s) clase(s) climática(s).

Por favor, remítase a la ficha de datos del producto para consultar la clase de clima asociada a las temperaturas ambiente mínimas y máximas adecuadas para el dispositivo y el ajuste de temperatura recomendado para el almacenamiento óptimo de los alimentos.

Los grados de temperaturas ambientes T°C se dan a título indicativo.

La colocación en la habitación, la frecuencia de apertura de puerta(s) o incluso el nivel de carga de productos alimenticios del aparato pueden influir en las posiciones indicadas.

La o las posición(es) del/de los termostato(s) puede(n) modificarse para compensar estos factores.

Ejemplos de habitaciones de uso:

- Habitación no calefactada en invierno como por ejemplo un garaje en una región fría.
- Habitación habitable con calefacción como por ejemplo una cocina.
- Habitación sin aire acondicionado en verano en una región cálida.

A

Descripción del aparato

Partes

A Estantes del frigorífico

E Cajón convertible para frescos

B Botellero

F Cajones del congelador

C Tapa del cajón para verduras

G Patas de nivelación

D Cajón para verduras

H Balcones del frigorífico



Nota: la imagen de arriba es únicamente de referencia. Es posible que el electrodoméstico real sea diferente.

Instalación

Espacio necesario

- Elija un lugar que no esté expuesto directamente a la luz solar.
- Elija un lugar con espacio suficiente para que las puertas del frigorífico se abran fácilmente.
- Elija un lugar con el suelo nivelado (o casi nivelado).
- Deje espacio suficiente para instalar el frigorífico en una superficie plana.
- Deje un espacio libre a la derecha, a la izquierda, en la parte trasera y en la parte superior al instalarlo, ya que reducirá el consumo de energía y sus facturas de electricidad serán más bajas.
- Mantenga un espacio de al menos 50 mm a los dos lados y en la parte trasera.

Ubicación

Instale este electrodoméstico en un lugar en el que la temperatura ambiente se corresponda con la clase climática indicada en la placa de características del electrodoméstico: para electrodomésticos de refrigeración con clase climática:

- templada extendida: este electrodoméstico de refrigeración está diseñado para ser utilizado a temperaturas ambiente que oscilan entre 10 y 32 °C; (SN)
- templada: este electrodoméstico de refrigeración está diseñado para ser utilizado a temperaturas ambiente que oscilan entre 16 y 32 °C; (N)
- subtropical: este electrodoméstico de refrigeración está diseñado para ser utilizado a temperaturas ambiente que oscilan entre 16 y 38 °C; (ST)
- tropical: este electrodoméstico de refrigeración está diseñado para ser utilizado a temperaturas ambiente que oscilan entre 16 y 43 °C; (T)

Localización

El electrodoméstico desde instalarse alejado de fuentes de calor como radiadores, calderas, luz solar directa, etc. Asegúrese de que el aire puede circular libremente por la parte trasera del mueble. Si el electrodoméstico está situado debajo de un módulo mural sobresaliente, la distancia mínima entre la parte superior del mueble y el módulo mural debe ser de al menos 50 mm, para garantizar el mejor rendimiento. Sin embargo, se recomienda que el electrodoméstico no se sitúe debajo de módulos murales sobresalientes. El uso de una o más patas regulables en la base del mueble garantizan un nivelado preciso.

Este electrodoméstico de refrigeración no está diseñado para ser utilizado como electrodoméstico integrado.



- **¡ADVERTENCIA!** Es necesario que el electrodoméstico pueda desconectarse de la red eléctrica principal, por lo que es necesario tener un fácil acceso al enchufe tras la instalación.

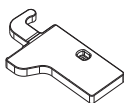
Conexión eléctrica

Antes de enchufarlo, asegúrese de que la tensión y la frecuencia de la placa de características se corresponden con su suministro eléctrico doméstico. El electrodoméstico debe estar conectado a tierra. El enchufe del cable de suministro eléctrico cuenta con un contacto para esta finalidad. Si el enchufe del suministro eléctrico doméstico no está conectado a tierra,

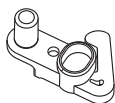
consulte a un electricista cualificado y conecte el electrodoméstico a una toma de tierra independiente de acuerdo con la normativa vigente. El fabricante declina toda responsabilidad si no se observan las precauciones de seguridad mencionadas. Este electrodoméstico cumple con las directivas de la CEE.

Puerta reversible

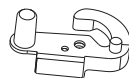
Antes de cambiar el sentido de apertura de la puerta, prepare las siguientes herramientas y materiales: destornilladores plano y de estrella, llave inglesa y los componentes incluidos en la bolsa de plástico:



1 tapa para la bisagra izquierda de la puerta



1 dispositivo de cierre izquierdo de la puerta superior



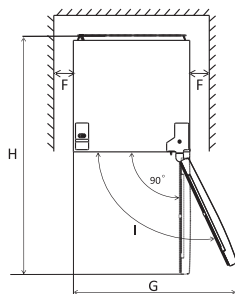
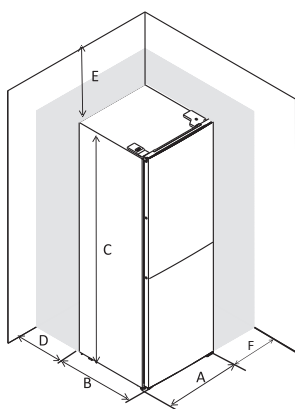
1 dispositivo de cierre izquierdo de la puerta inferior

- 1 Desatornille la tapa de la bisagra superior y desconecte los conectores del interruptor de la puerta y el cableado.
- 2 Desatornille la bisagra superior.
- 3 Retire el eje con un destornillador y gire el soporte de la bisagra. Después, vuelva a insertar el eje en el soporte de la bisagra.
- 4 Cambie el interruptor de la tapa de la bisagra derecha a la tapa de la bisagra izquierda que encontrará en la bolsa de accesorios.
- 5 Desmonte la tapa que encontrará en la parte de arriba de la puerta superior y desplace el cableado de la parte derecha a la izquierda. A continuación, vuelva a colocar la tapa.
- 6 Cambie la tapa superior izquierda al lado derecho.
- 7 Retire la puerta superior y saque el tornillo de la bisagra central con un destornillador de estrella. A continuación; retire la puerta inferior.
- 8 Mueva las tapas de los orificios de la bisagra del lado izquierdo al derecho.
- 9 Desatornille la bisagra inferior. Posteriormente, retire las patas regulables de ambos lados.
- 10 Desatornille y retire el eje de la bisagra inferior, déle la vuelta al soporte y vuelva a colocarlo.

- 11 Vuelva a insertar el soporte introduciendo el eje de la bisagra inferior. Coloque de nuevo las dos patas regulables.
- 12 Retire los dispositivos de cierre de la parte de abajo de las puertas superior e inferior. A continuación, instale en el lado izquierdo los nuevos dispositivos de cierre que encontrará en la bolsa de accesorios.
- 13 Separe las juntas de las puerta del frigorífico y el congelador, déles la vuelta y colóquelas de nuevo.
- 14 Instale la puerta inferior, a continuación ajuste y fije la bisagra central a la estructura del frigorífico.
- 15 Vuelva a colocar la puerta superior, compruebe que la puerta esté alineada con la estructura del frigorífico para asegurarse de que la junta de la puerta lo selle bien. A continuación, instale la puerta a la estructura del frigorífico fijando firmemente la bisagra superior.
- 16 Conecte los cableados de la puerta y la estructura del frigorífico. A continuación, vuelva a colocar la tapa de la bisagra superior. Antes de atornillar la tapa, conecte los terminales del interruptor de la puerta.

Espacio necesario

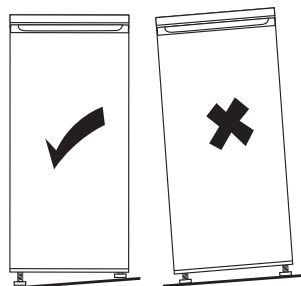
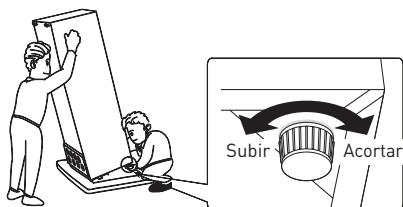
- Mantenga el espacio suficiente para permitir la apertura de la puerta.
- Mantenga un espacio de al menos 50 mm a los dos lados y en la parte trasera.



A	600
B	685
C	1850
D	min=50
E	min=50
F	min=50
G	1200
H	1285
I	135°

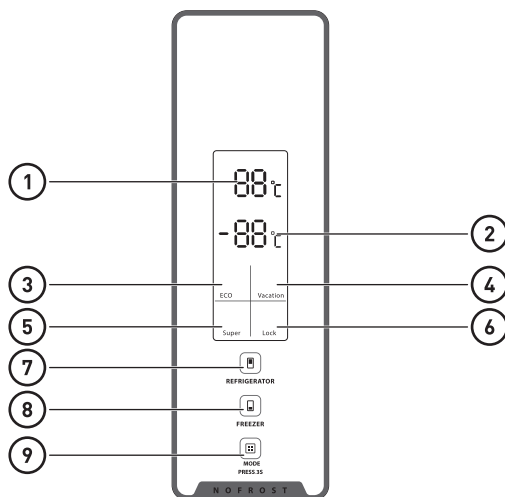
Nivelar la unidad

- Para ello, debe regular las dos patas niveladoras delanteras de la unidad.
- Si la unidad no está nivelada, las puertas y las juntas magnéticas alineadas no quedarán debidamente cerradas.



Interfaz del usuario

Usar el panel de control



Teclas de función

7

Control de temperatura del compartimento frigorífico.

- Esta tecla está disponible en los modos personalizado y SÚPER. No está disponible en los modos ECO y VACACIONES.
- Toque brevemente esta tecla para seleccionar la temperatura del frigorífico.

8

Control de temperatura del compartimento de congelación.

- Esta tecla está disponible en los modos personalizado y VACACIONES. No está disponible en los modos SÚPER y ECO.
- Toque brevemente esta tecla para seleccionar la temperatura del congelador.

Selección del modo de funcionamiento/Bloqueo/Desbloqueo

⑨

- Mantenga pulsada esta tecla durante 3 segundos para bloquear o desbloquear el panel de control.
- En el estado «Desbloqueo», toque brevemente esta tecla para seleccionar el modo de funcionamiento (ECO/VACACIONES/SÚPER/personalizado).

Pantalla**Ajuste del indicador de temperatura del compartimento frigorífico**

①

- Esta área mostrará los ajustes de temperatura del compartimento frigorífico. Si se muestran E0, E1, E2, E3, E5 en esta área, llame al servicio técnico.

Ajuste del indicador de temperatura del compartimento de congelación

②

- Esta área mostrará los ajustes de temperatura del compartimento de congelación.

Indicadores

③

Indicador del modo ECO

- Este símbolo se iluminará cuando se seleccione el modo ECO.

④

Indicador del modo VACACIONES.

- Este símbolo se iluminará cuando se seleccione el modo VACACIONES.

⑤

Indicador del modo SÚPER

- Este símbolo se iluminará cuando se seleccione el modo SÚPER.

⑥

Indicador de Bloqueo/Desbloqueo

- Este símbolo se iluminará cuando el panel de control esté bloqueado.

Ilustración de las teclas**Funcionamiento y pantalla**

- El panel de control permanecerá iluminado al 100 % durante 3 segundos. Esta configuración será la misma para su funcionamiento antes de apagarse. Después de eso, las funciones estarán disponibles.
- Antes de su uso, asegúrese de que el panel de control esté en estado de desbloqueo.
- En estado de bloqueo, cuando toque brevemente cualquier tecla de función, el indicador de bloqueo parpadeará durante 3 segundos pero las funciones no estarán disponibles.
- El panel de control se bloqueará 25 segundos después de la última operación.
- El panel de control se apagará completamente 2 minutos después de la última operación.
- El panel de control se iluminará cuando se abra la puerta del compartimento frigorífico.
- El panel de control se iluminará cuando toque brevemente las teclas de operación.
- Para cualquier pulsación de tecla se escuchará un pitido de aviso.

Ajuste de la temperatura del compartimento frigorífico



- Al tocar brevemente y de manera consecutiva la tecla ⑦ en los modos personalizado y SÚPER, se mostrará el ajuste de temperatura del compartimento frigorífico en un ciclo de 2 a 8 °C.

- El ajuste de la temperatura se confirmará después de 5 segundos de parpadeo del indicador.

Ajuste de la temperatura del compartimento de congelación

- Al tocar brevemente y de manera consecutiva **(8)** en el modo personalizado, se mostrará el ajuste de temperatura del compartimento de congelación en un ciclo de -14 a -22 °C.
- El ajuste de la temperatura se confirmará después de 5 segundos de parpadeo del indicador.

Ajuste de temperatura recomendado

Ajuste de temperatura recomendado		
Temperatura ambiental	Compartimento frigorífico	Compartimento de congelación
Verano Normal Invierno		

Control de temperatura de la zona de frescos

- La temperatura de la zona de frescos se puede ajustar según el tipo de alimentos almacenados.
- Al desplazar el selector desde la parte inferior hacia arriba, la temperatura en la zona fresca disminuirá gradualmente.
- Al colocar el selector en la 'CRISPER», la zona de frescos podrá funcionar como cajón para verduras, manteniendo la temperatura y humedad adecuadas para frutas y verduras.
- Al colocar el selector en la 'FRESH», la temperatura será adecuada para el almacenamiento a corto plazo de pescado u otros alimentos frescos. Los alimentos se mantendrán frescos pero no congelados, lo que lo convierte en la mejor opción para almacenar alimentos frescos.



Consejos: Al elegir la función 'FRESH», se recomienda establecer la temperatura del frigorífico por debajo de 4 °C y, para mantener una frescura óptima, el tiempo de conservación no deberá ser superior a 3 días.


**FRESH
CONVERTER**

FRESH



CRISPER


Ajuste del termostato para T°C ambiente : NORMAL ≈ +24°C (±4°C)	3°C/-19°C
Ajuste del termostato para T°C ambiente : FRIO ≈ +16°C (± 4°C)	3°C/-19°C
Ajuste del termostato para T°C ambiente : CALIENTE ≈ +32°C (± 4°C)	3°C/-19°C

Activar el modo ECO

- Activar el modo ECO:
 - Toque brevemente y de manera consecutiva la tecla ⑨. Cuando ③ (indicador de modo ECO) se ilumine, se habrá seleccionado el modo ECO.
 - El modo ECO se activará después de que el indicador de modo ECO parpadee durante 5 segundos.
 - En el modo ECO, el frigorífico ajusta automáticamente la temperatura de los dos compartimentos en función de la temperatura interior y ambiente.
 - Si en el modo ECO ajusta manualmente la temperatura del frigorífico o del congelador, el indicador del modo ECO parpadeará durante 3 segundos y las operaciones de ajuste de temperatura del frigorífico y del congelador no estarán disponibles.
- Salir del modo ECO:
 - Toque brevemente la tecla ⑨. Cuando el indicador de modo ECO esté apagado, indicará que el electrodoméstico ha salido del modo ECO.




Modo VACACIONES

- Activar el modo VACACIONES:
 - Toque brevemente y de manera consecutiva la tecla ⑨. Cuando ④ (indicador de modo ECO) se ilumine, se habrá seleccionado el modo VACACIONES.
 - El modo VACACIONES se activará después de que el indicador de modo VACACIONES parpadee durante 5 segundos.
 - Al activar el modo VACACIONES, la temperatura del frigorífico se ajustará automáticamente a 17 °C y el ajuste de temperatura del compartimento de congelación estará disponible.
 - Si en el modo VACACIONES ajusta manualmente la temperatura del frigorífico, el indicador del modo VACACIONES parpadeará durante 3 segundos y las operaciones de ajuste de temperatura del frigorífico no estarán disponibles.

- Salir del modo VACACIONES:
 - Toque brevemente la tecla . Cuando el indicador de modo VACACIONES esté apagado, indicará que el electrodoméstico ha salido de este modo.

Activar el modo SÚPER

Cuando haya que congelar muchos alimentos al mismo tiempo, será aconsejable configurar el modo SÚPER con 24 horas de antelación.


- Activar el modo SÚPER:
 - Toque brevemente y de manera consecutiva la tecla . Cuando  (indicador de modo SÚPER) se ilumine, se habrá seleccionado el modo SÚPER.
 - El modo SÚPER se activará después de que el indicador de modo SÚPER parpadee durante 5 segundos.
 - Al activar el modo SÚPER, la temperatura del congelador se ajustará automáticamente a -25 °C y el ajuste de temperatura del compartimento frigorífico estará disponible.
 - Si en el modo SÚPER ajusta manualmente la temperatura del congelador, el indicador del modo SÚPER parpadeará durante 3 segundos y las operaciones de ajuste de temperatura del congelador no estarán disponibles.
- Salir del modo SÚPER:
 - Toque brevemente la tecla . Cuando el indicador de modo SÚPER esté apagado, indicará que el electrodoméstico ha salido del modo SÚPER.



¡ADVERTENCIA!

En el modo SÚPER, el electrodoméstico funcionará bajo condiciones de carga elevadas y el nivel de ruido será ligeramente superior al normal.

Modo personalizado

- Toque brevemente la tecla  hasta que los indicadores de modo ECO/VACACIONES/SÚPER estén apagados. El modo personalizado se activará.
- En el modo personalizado, los usuarios podrán ajustar manualmente la temperatura del frigorífico y del congelador.

Función de alarma de apertura de puerta

Si la puerta del frigorífico se mantiene abierta durante 60 segundos, la alarma de apertura de la puerta se activará.

Utilización

Primer uso

Limpieza del interior

Antes de usar el electrodoméstico por primera vez, lave el interior y todos los accesorios internos con agua templada y jabón neutro para eliminar el típico olor de los productos nuevos y séquelos completamente.



¡Importante! No use detergentes o polvos abrasivos, ya que estropearán el acabado.

Uso diario

Coloque los diferentes alimentos en diferentes compartimentos de acuerdo con la siguiente tabla:

Compartimento frigorífico	Tipo de comida
Puerta o balcones del compartimento frigorífico	<ul style="list-style-type: none"> Alimentos con conservantes naturales, como mermeladas, zumos, bebidas y condimentos. No almacene alimentos perecederos.
Cajón para verduras	<ul style="list-style-type: none"> Las frutas y verduras deben colocarse por separado en el recipiente para verduras. No guarde plátanos, cebollas, patatas ni ajo en el frigorífico.
Estante central del frigorífico	<ul style="list-style-type: none"> Productos lácteos y huevos
Estante superior del frigorífico	<ul style="list-style-type: none"> Alimentos que no necesitan ser cocinados, como alimentos precocinados, embutidos y sobras.
Cajón(es)/estante del congelador	<ul style="list-style-type: none"> Alimentos para almacenamiento a largo plazo. Cajón/estante inferior para carne cruda, aves y pescado. Cajón/estante central para verduras congeladas y patatas fritas. Cajón/estante superior para helado, fruta congelada y productos congelados.

Congelar alimentos frescos

- El congelador es adecuado para congelar alimentos frescos y guardar alimentos congelados y ultracongelados durante mucho tiempo.
- Coloque los alimentos frescos que desee congelar en el compartimento inferior.
- En la placa de características se especifica la cantidad máxima de alimentos que pueden congelarse en 24 horas.
- El proceso de congelación dura 24 horas: durante este periodo no añada otros alimentos para congelarlos.

Guardar alimentos congelados

Cuando lo encienda por primera vez o tras un período sin usarlo, antes de poner productos en los compartimentos, deje el electrodoméstico en funcionamiento durante al menos dos horas en los niveles más altos de la configuración.



¡Importante! En caso de que se produzca una descongelación accidental si, por ejemplo, la corriente ha estado desconectada durante un tiempo superior al valor indicado en la tabla de características técnicas debajo de «tiempo de subida», los alimentos descongelados deben consumirse rápidamente o cocinarse inmediatamente y luego volver a congelarse (tras cocinarlos).

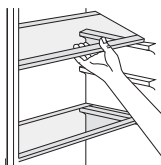
Descongelación

Según el tiempo disponible, antes de utilizar los alimentos congelados o ultracongelados, se podrán descongelar en el compartimento frigorífico o a temperatura ambiente.

Las porciones pequeñas pueden incluso cocinarse aún congeladas, directamente desde el congelador. En este caso, deberán cocinarse durante más tiempo.

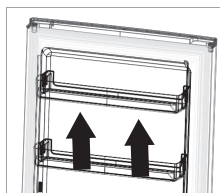
Estantes móviles accesorios

Las paredes del frigorífico están equipadas con una serie de guías para que los estantes puedan colocarse del modo!



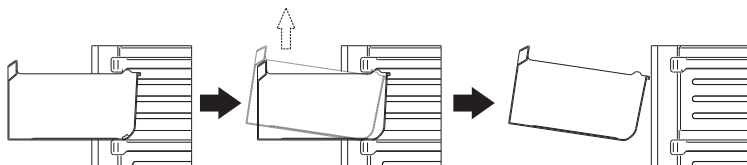
Colocación de las tapas de la puerta

Los balcones de la puerta se pueden desmontar para su limpieza. El desmontaje debe hacerse de la siguiente manera: empuje el balcón de forma gradual en la dirección de las flechas hasta que se libere. Después de su limpieza, vuelva a colocarlo.



Desmontaje del cajón inferior

1. Tire del cajón inferior hasta colocarlo en la posición de tope.
2. Levante la parte delantera del cajón.
3. Saque el cajón inferior.



Indicaciones y consejos útiles

Indicaciones para la congelación

Para ayudarle a sacar el máximo provecho del proceso de congelación, le damos algunas indicaciones importantes:

- En la placa de características se especifica la cantidad máxima de alimentos que pueden congelarse en 24 horas.
- El proceso de congelación dura 24 horas. No se deben incorporar más alimentos para congelar durante este periodo.
- Solo congele alimentos de alta calidad, frescos y completamente limpios.
- Prepare los alimentos en pequeñas porciones para permitir que se congelen rápida y totalmente y para que pueda descongelar posteriormente solo la cantidad deseada.
- Envuelva los alimentos en papel de aluminio o polietileno para asegurarse de que estén envasados herméticamente.
- No permita que los alimentos no congelados entren en contacto con aquellos que ya lo están, evitando así una subida de temperatura de los mismos.
- Los alimentos magros se conservan mejor y durante más tiempo que los grasos y la sal reduce el tiempo de almacenamiento de los alimentos.
- Si los cubitos de hielo se consumen inmediatamente tras sacarlos del congelador, pueden provocar quemaduras en la piel a causa del frío.
- Se aconseja indicar la fecha de congelación en cada envase individual para poder identificarlo y sacarlo del compartimento de congelación fácilmente. De lo contrario, se pueden producir quemaduras en la piel a causa del frío;
- Se aconseja indicar la fecha de congelación en cada paquete individual para que pueda controlar el tiempo de almacenado.

Indicaciones para guardar alimentos congelados

Para conseguir el mejor rendimiento de este electrodoméstico:

- Asegúrese de que el comercio de venta almacenó de forma adecuada los alimentos congelados comercialmente.
- Asegúrese de que los alimentos congelados se trasladan de la tienda al congelador en el menor tiempo posible.
- No abra la puerta con frecuencia ni la deje abierta durante más tiempo del absolutamente necesario.
- Una vez descongelados, los alimentos se deterioran rápidamente y no pueden volver a congelarse.
- No exceda el periodo de almacenamiento que haya indicado el fabricante.

Indicaciones para la refrigeración de alimentos frescos

Para conseguir el mejor rendimiento:

- No guarde alimentos calientes o líquidos en evaporación en el frigorífico.
- Tape o envuelva los alimentos, en especial si tienen un olor fuerte

Indicaciones para la refrigeración

Indicaciones útiles:

- Alimentos preparados (todos los tipos): envuélvalos en bolsas de polietileno y colóquelos en los estantes de cristal encima del cajón de las verduras.
- Por seguridad, guárdelos así solo uno o dos días como máximo.
- Alimentos cocinados, platos fríos, etc.: deben taparse y pueden colocarse en cualquier estante.
- Frutas y verduras: debe limpiarse completamente y colocarse en el(los) cajón(es) especial(es) facilitado(s) para ello.
- Mantequilla y queso: deben colocarse en envases herméticos, envueltos en papel de aluminio o bolsas de polietileno para impedir la entrada de aire tanto como sea posible.
- Botellas de leche: deben tener un tapón y guardarse bajo las tapas de la puerta.
- Plátanos, patatas, cebollas y ajos: si no están envasados, no deben guardarse en el frigorífico.

Limpieza y mantenimiento

Por razones higiénicas, el interior del electrodoméstico, incluidos los accesorios interiores, deben limpiarse con regularidad.



¡PRECAUCIÓN! El electrodoméstico no debe estar conectado a la red eléctrica durante la limpieza. ¡Riesgo de descarga eléctrica! Antes de la limpieza, apague el electrodoméstico y quite el enchufe de la red eléctrica, o bien apáguela bajando el interruptor automático o el fusible del panel eléctrico. No limpie el electrodoméstico con un limpiador de vapor, ya que podría acumularse humedad en los componentes eléctricos y habría riesgo de que se produjese una descarga eléctrica. Los vapores calientes pueden dañar las piezas de plástico. El electrodoméstico debe estar seco antes de ponerlo de nuevo en funcionamiento.



¡Importante! Los aceites etéreos y los solventes orgánicos pueden dañar las piezas de plástico, como, por ejemplo, el zumo de limón o el zumo de la piel de naranja, el ácido butírico o los limpiadores que contengan ácido acético.

- No permita que dichas sustancias entren en contacto con las piezas del electrodoméstico.
- No use limpiadores abrasivos.
- Saque los alimentos del congelador. Guárdelos en un lugar fresco, bien tapado.
- Apague el electrodoméstico y quite el enchufe de la red eléctrica, o bien apáguela o apague el disyuntor o el fusible del circuito.
- Limpie el electrodoméstico y los accesorios internos con un paño y agua templada. Tras la limpieza, pase una bayeta con agua y séquelo.
- Una vez que esté totalmente seco, póngalo de nuevo en funcionamiento.

Solución de problemas



¡PRECAUCIÓN! Antes de solucionar algún problema, desconecte el suministro eléctrico. Solo un electricista cualificado o una persona capacitada debe solucionar los problemas que no aparezcan en este manual.



¡Importante! Durante el funcionamiento normal se oirán algunos sonidos (del compresor o de la circulación del refrigerante).

Problema	Causa probable	Solución
El electrodoméstico no funciona.	<ul style="list-style-type: none"> • El selector de regulación de temperatura está configurado en el punto más frío. • El cable de la red eléctrica no está enchufado o está suelto. • El fusible se ha fundido o está defectuoso. • La toma de corriente está defectuosa. 	<ul style="list-style-type: none"> • Cambie la posición del selector del electrodoméstico. • Inserte el enchufe de red. • Compruebe el fusible y reemplácelo si es necesario. • Las averías de la red eléctrica debe solucionarlas un electricista.
El electrodoméstico congela o enfría demasiado.	<ul style="list-style-type: none"> • La temperatura seleccionada es demasiado fría o el electrodoméstico está funcionando al máximo. 	<ul style="list-style-type: none"> • Cambie el regulador de temperatura a una configuración más templada de manera temporal.

Problema	Causa probable	Solución
Los alimentos no están lo suficientemente congelados.	<ul style="list-style-type: none"> • La temperatura no está seleccionada correctamente. • La puerta estuvo abierta durante un largo periodo. • Una gran cantidad de alimentos calientes se han colocado en el electrodoméstico durante las últimas 24 horas. • El electrodoméstico está cerca de una fuente de calor. 	<ul style="list-style-type: none"> • Consulte la sección inicial sobre el ajuste de la temperatura. • Abra la puerta únicamente cuando sea necesario. • Cambie el regulador de temperatura a una configuración más fría de manera temporal. • Consulte la sección sobre el lugar de la instalación.
Hay una importante acumulación de hielo en la junta de la puerta.	<ul style="list-style-type: none"> • La junta de la puerta no cierra herméticamente. 	<ul style="list-style-type: none"> • Caliente cuidadosamente las partes de la junta donde la puerta no cierre con un secador de pelo (en una posición de aire no muy caliente). Al mismo tiempo, dé forma a la junta de la puerta caliente con la mano, de modo que se adapte correctamente.
Ruidos anómalos.	<ul style="list-style-type: none"> • El electrodoméstico no está nivelado. • El electrodoméstico está tocando la pared u otros objetos. • Un componente, por ejemplo, una tubería en la parte trasera del electrodoméstico está tocando otra pieza del mismo o la pared. 	<ul style="list-style-type: none"> • Vuelva a regular las patas. • Mueva el electrodoméstico ligeramente. • Si es necesario, doble el componente con cuidado para evitar el contacto.
Agua en el suelo.	<ul style="list-style-type: none"> • El orificio de drenaje del agua está bloqueado. 	<ul style="list-style-type: none"> • Vea la sección de limpieza y cuidado.

Problema	Causa probable	Solución
Los paneles laterales están calientes.	<ul style="list-style-type: none">• Es normal. Las piezas de intercambio de calor están en los laterales.	<ul style="list-style-type: none">• Si es necesario, lleve guantes para tocar los laterales.

Si la avería vuelve a aparecer, póngase en contacto con el Centro de asistencia técnica. Estos datos son necesarios para poder ayudarle de forma rápida y correcta. Escriba los datos necesarios aquí. Consulte la placa de características.

Reemplazar la bombilla

- Este producto contiene una fuente de luz de clase de eficiencia energética G.
- La fuente de luz de este producto solo puede ser reemplazada por profesionales calificados.
- Póngase en contacto con el servicio posventa si la fuente de luz dejase de funcionar correctamente.
- La fuente de luz se retirará al final de la vida útil del producto para efectuar la clasificación y el reciclaje por separado.

