

# Qilive



## 2 Doors refrigerator Q.6602

- FR** Réfrigérateur 2 portes
- ES** Frigorífico de 2 puertas
- PT** Frigorífico de 2 portas
- PL** chłodziarka dwudrzwiowa
- HU** Kétajtós hűtőszekrény
- RO** Frigider cu 2 uși
- RU** Двухдверный холодильник
- UA** 2-дверний холодильник

<b>EN</b>	<b>User manual</b>	P. 4
<b>FR</b>	<b>Manuel d'utilisation</b>	P. 20
<b>ES</b>	<b>Manual de instrucciones</b>	P. 38
<b>PT</b>	<b>Manual de utilização</b>	P. 55
<b>PL</b>	<b>Instrukcja obsługi</b>	S. 72
<b>HU</b>	<b>Használati utasítás</b>	89. o.
<b>RO</b>	<b>Manual de instrucțiuni</b>	P. 105
<b>RU</b>	<b>Руководство пользователя</b>	C. 122
<b>UA</b>	<b>Довідник користувача</b>	C. 140

EN

FR

ES

PT

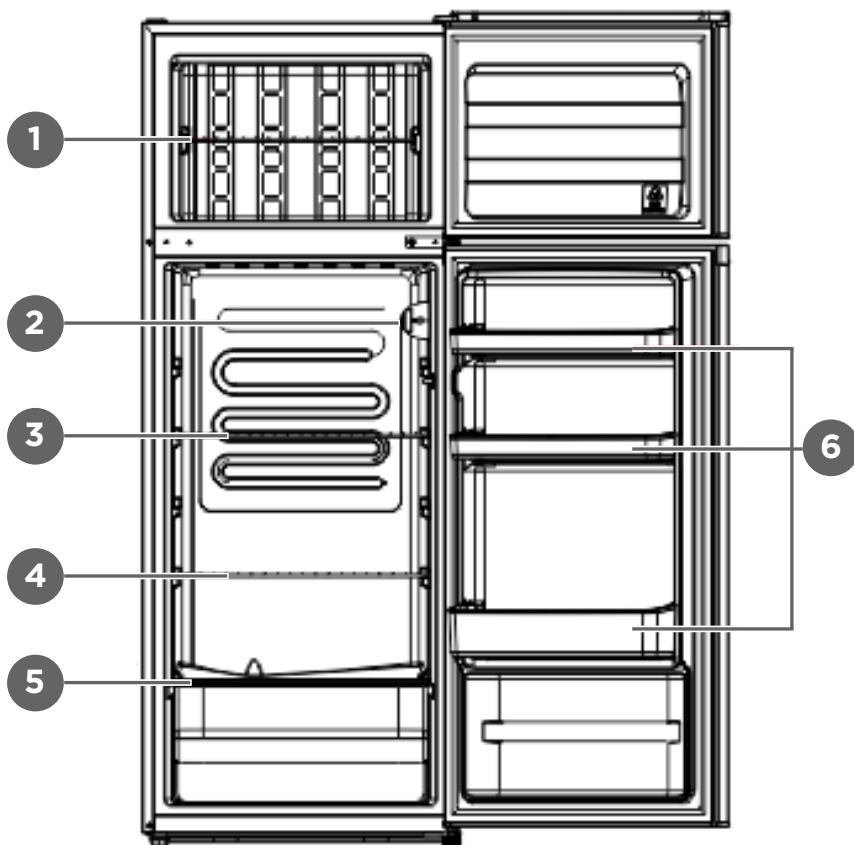
PL

HU

RO

RU

UA



# CONTENT OVERVIEW:

1. SAFETY INSTRUCTIONS	P. 4
2. TECHNICAL SPECIFICATIONS	P. 6
3. PRODUCT DESCRIPTION	P. 6
4. INSTALLATION	P. 7
5. USE	P. 13
6. MAINTENANCE AND CLEANING	P. 15
7. TROUBLESHOOTING	P. 16
8. GUARANTEES	P. 19


## 1. SAFETY INSTRUCTIONS

Before using this product, carefully read these instructions and keep the user manual for future reference.



Warning: Risk of fire / flammable materials!

1. This appliance is intended to be used in household and similar applications such as staff kitchen areas in shops, offices and other working environments; farm houses and by clients in hotels, motels and other residential type environments; bed and breakfast type environments; catering and similar non-retail applications.
2. Children should be supervised to ensure that they do not play with the appliance.
3. If the supply cord is damaged, it must be replaced by the manufacturer, its service agent or similarly qualified persons in order to avoid a hazard.
4. DO NOT store explosive substances such as aerosol cans with a flammable propellant in this appliance.
5. The appliance has to be unplugged after use and before carrying out user maintenance on the appliance.
6. WARNING: Keep ventilation openings, in the appliance enclosure or in the built-in structure, clear of obstruction.
7. WARNING: Do not use mechanical devices or other means to accelerate the defrosting process, other than those recommended by the manufacturer.
8. WARNING: Do not damage the refrigerant circuit.
9. WARNING: Do not use electrical appliances inside the food storage compartments of the appliance, unless they are of the type recommended by the manufacturer.
10. The refrigerant gas R600a that is contained in the refrigerator is a natural gas. It is not harmful to the environment, but combustible. It is therefore important to transport and install your refrigerator carefully so as not to damage the refrigerant ducts. In the event of a gas leak, avoid contact with nearby flames or fires and ventilate the room.
11. Never try to repair the refrigerator yourself, only use a qualified or authorized service person for repairs.
12. WARNING: Please abandon the refrigerator according to local regulators for it uses flammable blowing gas and refrigerant.
13. WARNING: When positioning the appliance, ensure the supply cord is not trapped or damaged.
14. WARNING: Do not locate multiple portable socket-outlets or portable power supplies at the rear of the appliance.

15. DO NOT use extension cords or ungrounded (two-prong) adapters.
16. DANGER: Risk of child entrapment. Before you throw away your old refrigerator or freezer:
  - Take off the doors.
  - Leave the shelves in place so that children may not easily climb inside.
17. The refrigerator must be disconnected from the source of electrical supply before attempting the installation of accessory.
18. Refrigerant and cyclopentane foaming material used for the refrigerator are flammable. Therefore, when the refrigerator is scrapped, it shall be kept away from any fire source and be recovered by a special recovering company with corresponding qualification other than be disposed by combustion, so as to prevent damage to the environment or any other harm.
19. For EN standard: This appliance can be used by children aged from 8 years and above and persons with reduce physical sensory or mental capabilities or lack of experience and knowledge if they have been given supervision or instruction concerning use of the appliance in a safe way and understand the hazards involved. Children shall not play with the appliance. Cleaning and user maintenance shall not be made by children without supervision. Children aged from 3 to 8 years are allowed to load and unload refrigerating appliances.
20. The necessity that, for doors or lids fitted with locks and keys, the keys be kept out of the reach of children and not in the vicinity of the refrigerating appliance, in order to prevent children from being locked inside.
21. To avoid contamination of food, please respect the following instructions:
  - Opening the door for long periods can cause a significant increase of the temperature in the compartments of the appliance.
  - Clean regularly surfaces that can come in contact with food and accessible drainage systems.
  - Clean water tanks if they have not been used for 48 h; flush the water system connected to a water supply if water has not been drawn for 5 days. (Note 1)
  - Store raw meat and fish in suitable containers in the refrigerator, so that it is not in contact with or drip onto other food.
  - Two-star frozen-food compartments are suitable for storing pre-frozen food, storing or making ice-cream and making ice cubes. (Note 2)
  - One -, two- and three-star compartments are not suitable for the freezing of fresh food. (Note 3)
  - If the refrigerating appliance is left empty for long periods, switch off, defrost, clean, dry, and leave the door open to prevent mould developing within the appliance.
  - For appliances without a 4-star compartment: this refrigerating appliance is not suitable for freezing foodstuffs.(Note 4)
  - Note 1,2,3,4: Please confirm whether it is applicable according to your product compartment type.
22. For a freestanding appliance: this refrigerating appliance is not intended to be used as a built-in appliance.
23. Any replacement or maintenance of the LED lamps is intended to be made by the manufacturer, its service agent or similar qualified person.
24.  The marking of this device (symbol of a crossed-out dustbin) complies with European Directive 2012/19/EU relating to "used electrical and electronic equipment". This marking means that this equipment, at the end of its useful life, cannot be disposed of with other household waste. The user is required to deliver it to operators who collect used electrical and electronic equipment. Collection operators, including local collection points, shops and local authorities, create an appropriate system for collecting equipment. Appropriate collection of used electrical and electronic equipment helps avoid harmful impacts on human health and the environment, resulting from the presence of hazardous components, as well as from improper storage and treatment of this equipment.

## 1.1. WARNINGS FOR ENERGY

1. Refrigerating appliances might not operate consistently (possibility of defrosting of contents or temperature becoming too warm in the frozen food compartment) when sited for an extended

period of time below the cold end of the range of temperatures for which the refrigerating appliance is designed.

2. The fact that effervescent drinks should not be stored in food freezer compartments or cabinets or in low-temperature compartments or cabinets, and that some products such as water ices should not be consumed too cold.
3. The need to not exceed the storage time(s) recommended by the food manufacturers for any kind of food and particularly for commercially quick-frozen food in food-freezer and frozen-food storage compartments or cabinets.
4. The precautions necessary to prevent an undue rise in the temperature of the frozen food while defrosting the refrigerating appliance, such as wrapping the frozen food in several layers of newspaper.
5. The fact that a rise in temperature of the frozen food during manual defrosting, maintenance or cleaning could shorten the storage life.

## 2. TECHNICAL SPECIFICATIONS

Power supply	220-240 V~, 50 Hz
Rated current	0.5 A
Energy consumption	176 kWh/a
Protection class	I
Climate class	N/ST
Lamp rated power	max. 2 W
Total volume	204 L
Fresh food compartment volume	163 L
Four-star compartment volume	41 L
Refrigerant and inject amount	R600a/44g
Dimensions (H x L x W)	1430 x 550 x 550 mm
Net weight	37 kg

## 3. PRODUCT DESCRIPTION

- |               |                   |
|---------------|-------------------|
| 1. Shelf      | 4. Shelf          |
| 2. Thermostat | 5. Crisper drawer |
| 3. Shelf      | 6. Door tray      |

## 4. INSTALLATION

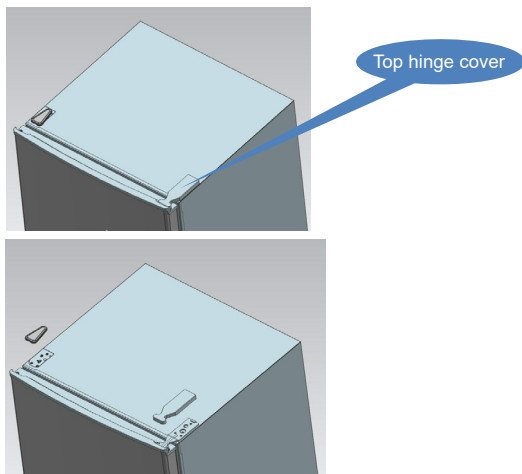
### 4.1. LOCATION

- When selecting a position for your unit, make sure the floor is flat and firm, and the room is well ventilated.
- Avoid locating your unit near a heat source, e.g. cooker, boiler or radiator. Also avoid direct sunlight as it may increase the electrical consumption.
- Extreme cold ambient temperatures may also cause the unit not to perform properly.
- This unit is not designed for use in a garage or outdoor installation.
- Do not drape the unit with any covering.
- When installing the unit, ensure that 10 cm of free space is left at both sides, 10 cm at the rear and 30 cm at the top of the unit. This will allow cold air to circulate around the wine cooler and improve the efficiency of the cooling process.

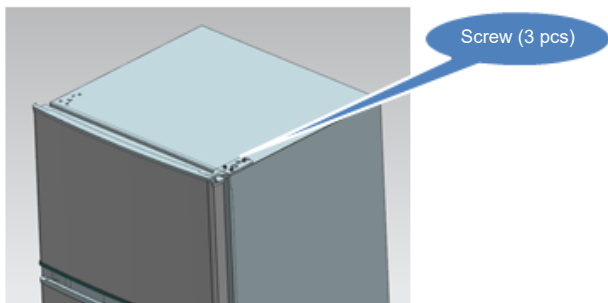
### 4.2. REVERSING THE DOOR SWING (OPTIONAL)

**Tools Required:** Phillips screwdriver / Flat blade screwdriver / Hexagonal spanner

1. Remove the top hinge cover.



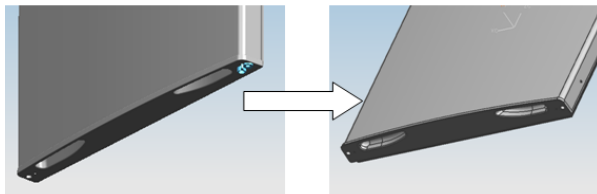
2. Remove the screws (fixing the top hinge) with a cross slot screwdriver.



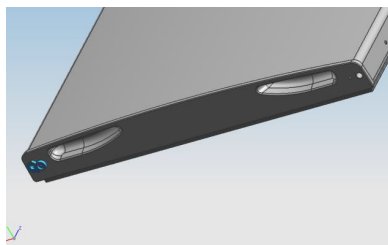
3. Replace the top hinge, the top-door limit block and the door bearing bush to the other side.
- a. Remove the nut with sleeve. Take off the washer, then move the axes to the other side and fix them.



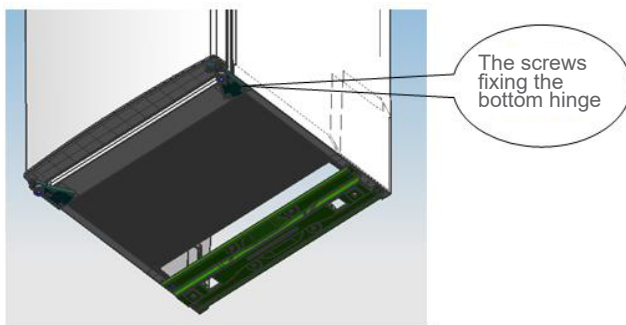
- b. Remove the door limit block.



- c. Take out the other door limit block (with screw mounting to the door).



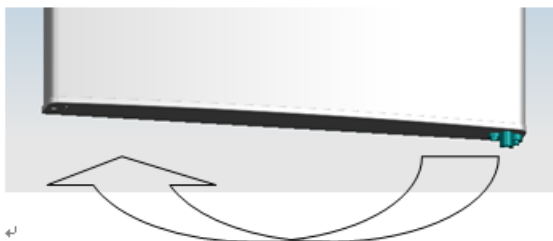
4. Remove the screws (fixing the bottom hinge) with a cross slot screwdriver.



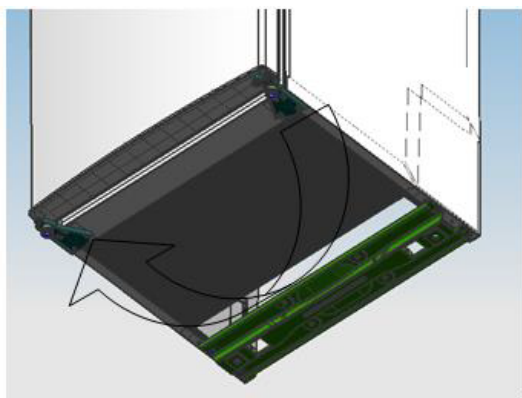
**Note:** The maximum angle of inclination of the refrigerator-freezer is 45°.



5. Replace the bottom door bearing bush and the limit block.



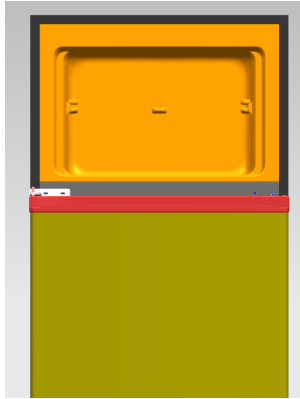
6. Replace the bottom hinge to the other side, then fix it with screws.



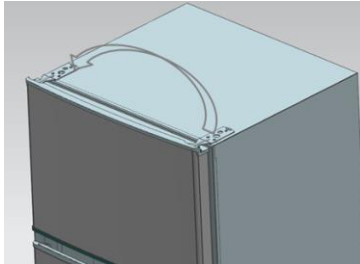
7. Replace the middle hinge.



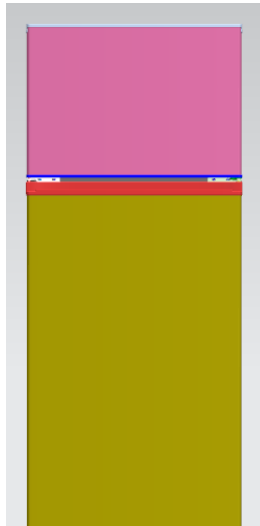
8. Attach the bottom door in the right position, then fix the middle hinge.



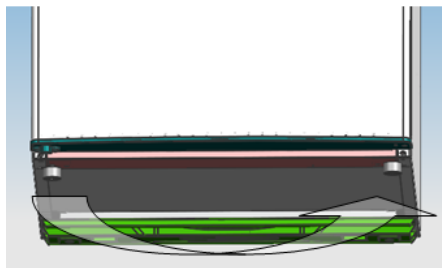
9. Replace the top hinge.



10. Attach the top door in the right position, then fix the top hinge and the cover.



11. Install the four screw caps and two catches to the corresponding positions.
  - Ensure the appliance is unplugged and empty.
  - Adjust the two leveling feet to their highest position.
  - We recommend you have someone to assist you.
12. Replace the leveler to the other side and adjust it to make sure the cabinet is level.



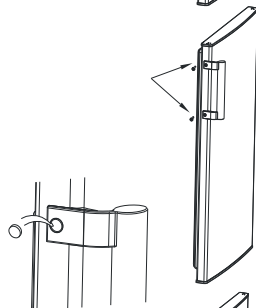
#### 4.3. INSTALLING DOOR HANDLES (OPTIONAL)

**Note:** Figures in the user manual are only for reference. The actual product may differ slightly. The refrigerator must be disconnected from the electrical supply before attempting the installation of accessories.

Step 1: Take out two plug pins from the door (on the door-open side).



Step 2: Install the door handle to the door and fasten it with screws.

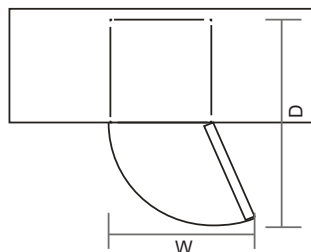


Step 3: Press screw caps of the handle into screw holes.



#### 4.4. DOOR SPACE REQUIREMENTS

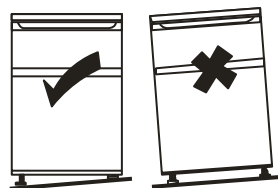
The unit's door must be able to open fully as shown.  
( $W \times D \geq 902 \times 1052$  mm)



#### 4.5. LEVELLING THE UNIT

To level the appliance, adjust the two levelling feet at the front of the unit. If the unit is not level, the door and magnetic seal alignments will not be covered properly.

Make sure that the foot touches the ground before use. Look down from the top, adjust the levelling foot clockwise or counter-clockwise to tighten or loosen it.



#### 4.6. CLEANING BEFORE USE

Wipe the inside of the unit with a weak solution of bicarbonate soda. Then rinse with warm water using a wrung-out sponge or cloth. Wash the shelves and salad bin in warm soapy water and dry completely before replacing in the unit. Clean the exterior of the unit with a damp cloth.

If you need more information, refer to the "MAINTENANCE AND CLEANING" section.

#### 4.7. BEFORE USING YOUR UNIT

- Do not damage the power cord under any condition so as to ensure safety use, do not use when the power cord is damaged or the plug is worn.
- Do not put flammable, explosive, volatile and highly corrosive items in the refrigerator to prevent damages to the product or fire accidents.
- Do not place flammable items near the refrigerator to avoid fires.
- This product is household refrigerators and shall be only suitable for the storage of foods. According to national standards, household refrigerators shall not be used for other purposes, such as storage of blood, drugs or biological products.
- Do not place items such as bottled or sealed container of fluid such as bottled beers and beverages in the freezer to prevent bursts and other losses.
- Before placing any food in your unit, turn it on and wait for 24 hours, to make sure it is working properly and to allow it time to fall to the correct temperature. Your unit should not be overfilled.



- Before plugging in  
You must check that you have a wall socket which is compatible with the plug supplied with the unit.
- Before turning on  
Do not turn on until two hours after moving the unit.

## 4.8. INTERIOR ACCESSORIES

Several glass or plastic storage shelves are included with your appliance - different models have different combinations.

You should always slide one of the full size glass storage shelves into the lowest set of guides, above the fruit and vegetable containers, and keep it in this position. To do this, pull the storage shelf forward until it can be moved upwards or downwards and removed.

To insert the shelf at a different height, do the same in reverse order.



To make the most of the volume of the fresh food storage compartment and frozen-food storage compartment, the user can remove one or more shelves, drawers, out of the appliance, according to your daily use.

## 5. USE

### 5.1. SWITCHING ON YOUR UNIT

- Turn the thermostat knob to regulate the temperature inside the refrigerator.
  - Setting "Min": Less cool temperature
  - Setting "Mid": Normal operation (suitable for most situations)
  - Setting "Max": Coolest temperature
  - Setting "Off": When the thermostat control knob is set to "Off", the refrigerator will not be running.
- For the first time you install your refrigerator, set the thermostat knob at "Mid". Give your refrigerator time to cool down completely before adding food. It is the best to wait 24 hours before adding food.
- During high ambient temperatures (e.g., on hot summer days), it may be necessary to set the thermostat to the coolest setting (position "Max"). This may cause the compressor running continuously in order to maintain a low temperature in the cabinet.

### 5.2. NOISE INSIDE THE UNIT

You may notice that your unit makes some unusual noises. Most of these are perfectly normal, but you should be aware of them!

These noises are caused by the circulation of the refrigerant liquid in the cooling system. It has become more pronounced since the introduction of CFC free gases. This is not a fault and will not affect the performance of your unit. Hearing a noise indicates the compressor motor is working, as it pumps the refrigerant around the system.

### 5.3. TIPS FOR FOR FOOD STORAGE

- Cooked meats/fishes should always be stored on a shelf above raw meats/fishes to avoid bacterial transfer. Keep raw meats/fishes in a container which is large enough to collect juices and cover it properly. Place the container on the lowest shelf.
- Leave space around your food, to allow air to circulate inside the unit. Ensure all parts of the unit are kept cool.
- To prevent transfer of flavors and drying out, pack or cover the food separately. Fruit and vegetables do not need to be wrapped.
- Always let pre-cooked food cool down before you put in the unit. This will help to maintain the internal temperature of the unit.
- To prevent cold air escaping from the unit, try to limit the number of times you open the door. We recommend that you only open the door when you need to put food in or take food out.

## 5.4. STORING FROZEN FOOD

- All frozen food you purchase should be placed in the freezer as soon as possible to avoid them from defrosting and spoiling.
- All storage recommendations printed on the packaging of frozen food by the manufacturer should always be followed.
- When using the freezer for the first time or after defrosting, set the thermostat knob to the maximum position for at least 2 hours before introducing food to be stored, and then re-adjust it to the normal position.

## 5.5. ENERGY-SAVING TIPS

- Install the fridge or freezer in a cool place out of direct sunlight and away from cookers, heaters, dishwashers or any hot air emitting items.
- Do not set the freezer temperatures lower than necessary. Set the internal temperature within the correct range e.g. adjust the thermostat at middle position  $-18^{\circ}\text{C}$  in the freezer respectively.
- Let pre-cooked foods cool down before placing them in the fridge or freezer as it will prevent the internal temperature of the fridge from rising.
- Keep your freezer full, but not over crowded, Try to leave about 20% free space for air circulation.
- To prevent cold air escaping, limit the frequency of opening door. When returning from shopping, sort foods to be kept in your freezer before opening the door. Only open the door to put food in or keep it out.
- Make sure the door seal is clean and in good condition. It should hold a piece of paper tightly in place when shut.
- Defrost regularly or when ice is more than 5mm thick. Thick ice covering the inner sides significantly increases energy use.
- The combination of the drawers, baskets and shelves shown in the device description is optimal for efficient energy savings. Changing the combination proposition could alter the efficiency.

Order	Compartments TYPE	Target storage temp. [ $^{\circ}\text{C}$ ]	Appropriate food
1	Fridge	+2 ~ +8	Eggs, cooked food, packaged food, fruits and vegetables, dairy products, cakes, drinks and other foods are not suitable for freezing.
2	(***)-Freezer	$\leq -18$	Seafood (fish, shrimp, shellfish), freshwater aquatic products and meat products (recommended for 3 months, the longer the storage time, the worse the taste and nutrition), suitable for frozen fresh food.
3	***-Freezer	$\leq -18$	Seafood (fish, shrimp, shellfish), freshwater aquatic products and meat products (recommended for 3 months, the longer the storage time, the worse the taste and nutrition), suitable for frozen fresh food.
4	**-Freezer	$\leq -12$	Seafood (fish, shrimp, shellfish), freshwater aquatic products and meat products (recommended for 3 months, the longer the storage time, the worse the taste and nutrition), suitable for frozen fresh food.
5	*-Freezer	$\leq -6$	Seafood (fish, shrimp, shellfish), freshwater aquatic products and meat products (recommended for 3 months, the longer the storage time, the worse the taste and nutrition), suitable for frozen fresh food.
6	0-star	-6 ~ 0	"Fresh pork, beef, fish, chicken, some packaged processed foods, etc. (Recommended to eat within the same day, preferably no more than 3 days). Partially encapsulated processed foods (non-freezable foods)."
7	Chill	-2 ~ +3	Fresh/ frozen pork, beef, chicken, freshwater aquatic products, etc. (7 days below $0^{\circ}\text{C}$ and above $0^{\circ}\text{C}$ is recommended for consumption within that day, preferably no more than 2 days). Seafood (less than 0 for 15 days, it is not recommended to store above $0^{\circ}\text{C}$ ).

Note: please store different foods according to the compartments or target storage temperature of your purchased products.

## 6. MAINTENANCE AND CLEANING

### 6.1. DEFROSTING

**Note:** This unit does not have an auto defrost system. Please use a plastic ice shovel when clearing the frosting of the evaporator. Do not use metal sharp objects.

### 6.2. CLEANING THE INTERIOR AND THE EXTERIOR OF THE UNIT

- Dusts behind the refrigerator and on the ground shall be timely cleaned to improve the cooling effect and energy saving.
- Check the door gasket regularly to make sure there are no debris. Clean the door gasket with a soft cloth dampened with soapy water or diluted detergent.
- The interior of the refrigerator should be cleaned regularly to avoid odor.
- Please turn off the power before cleaning interior, remove all foods, drinks, shelves, drawers, etc.
- Use a soft cloth or sponge to clean the inside of the refrigerator, with two tablespoons of baking soda and a quart of warm water. Then rinse with water and wipe clean. After cleaning, open the door and let it dry naturally before turning on the power.
- For areas that are difficult to clean in the refrigerator (such as narrow sandwiches, gaps or corners), it is recommended to wipe them regularly with a soft rag, soft brush, etc. and when necessary, combined with some auxiliary tools (such as thin sticks) to ensure no contaminants or bacterials accumulation in these areas.
- Do not use soap, detergent, scrub powder, spray cleaner, etc., as these may cause odors in the interior of the refrigerator or contaminated food.
- Clean the bottle frame, shelves and drawers with a soft cloth dampened with soapy water or diluted detergent. Dry with a soft cloth or dry naturally.
- Wipe the outer surface of the refrigerator with a soft cloth dampened with soapy water, detergent, etc., and then wipe dry.
- Do not use hard brushes, clean steel balls, wire brushes, abrasives (such as toothpastes), organic solvents (such as alcohol, acetone, banana oil, etc.), boiling water, acid or alkaline items, which may damage the fridge surface and interior. Boiling water and organic solvents such as benzene may deform or damage plastic parts.
- Do not rinse directly with water or other liquids during cleaning to avoid short circuits or affect electrical insulation after immersion.

### 6.3. CLEANING TIPS

Condensation may appear on the interior surface of the unit. This may be due to a change in room temperature. Wipe off any moisture residue. If the problem continues, contact a qualified technician for assistance.

### 6.4. MAINTENANCE

#### Changing the internal light

Lamp replacement should only be made by a qualified technician.

#### Care when handling/moving your unit

Hold the unit around its sides or base when moving it. Under no circumstances should it be lifted by holding the edges of the top surface.

#### Servicing

The unit should be serviced by an authorized engineer and only genuine spare parts should be used. Under no circumstances should you attempt to repair the unit yourself. Repairs carried out by inexperienced persons may cause injury or serious malfunction. Contact a qualified technician.

### Switching off for long periods of time

When the unit is not in use for a long period of time, disconnect it from the mains supply, empty all food and clean the appliance, leaving the door ajar to prevent unpleasant smells.

## 7. TROUBLESHOOTING

You may try to solve the following simple problems by yourself. If they cannot be solved, please contact the after-sales department.

Problem	Recommended solution
Failed operation	<ul style="list-style-type: none"> <li>• Check whether the refrigerator is connected to power;</li> <li>• Low voltage;</li> <li>• Check whether there is a power failure or partial circuits have tripped.</li> </ul>
Odor	<ul style="list-style-type: none"> <li>• Odorous foods should be securely wrapped;</li> <li>• Check whether foods are rotten;</li> <li>• Check whether the interior of the refrigerator should be cleaned.</li> </ul>
Long-time operation of the compressor	<ul style="list-style-type: none"> <li>• It is normal that refrigerator operates for longer time in summer when the ambient temperature is higher;</li> <li>• Do not put too much food in the freezer at one time;</li> <li>• Do not put foods until they are cooled;</li> <li>• Frequent opening of refrigerator door.</li> </ul>
Light fails to get lit	<ul style="list-style-type: none"> <li>• Check whether the refrigerator is connected to power supply;</li> <li>• Check whether the illuminating light is damaged;</li> <li>• Have the light replaced by a specialist if it is damaged.</li> </ul>
The refrigerator door can not be properly closed.	<ul style="list-style-type: none"> <li>• The door is stuck by food packages;</li> <li>• Too much food is placed;</li> <li>• The refrigerator is tilted.</li> </ul>
Loud noise	<ul style="list-style-type: none"> <li>• Check whether the food is properly placed, and whether the refrigerator is level;</li> <li>• Check whether the refrigerator parts are properly attached.</li> </ul>

### Tips:

- The refrigerator enclosure may emit heat during operation specially in summer, this is caused by the radiation of the condenser, and it is a normal phenomenon.
- Condensation: condensation phenomenon will be detected on the exterior surface and door seals of the freezer when the ambient humidity is high, this is a normal phenomenon, and the condensation can be wiped away with a dry towel.
- Buzz will be generated by running compressor especially when starting up or shutting down.



Table 1 Climate classes

Class	Symbol	Ambient temperature range (°C)
Extended temperate	SN	+ 10 to + 32
Temperate	N	+ 16 to + 32
Subtropical	ST	+ 16 to + 38
Tropical	T	+ 16 to + 43

Extended temperate: this refrigerating appliance is intended to be used at ambient temperatures ranging from 10 °C to 32 °C;

Temperate: this refrigerating appliance is intended to be used at ambient temperatures ranging from 16 °C to 32 °C;

Subtropical: this refrigerating appliance is intended to be used at ambient temperatures ranging from 16 °C to 38 °C;

Tropical: this refrigerating appliance is intended to be used at ambient temperatures ranging from 16 °C to 43 °C.

The ordered parts in the following table can be acquired from channel \_\_\_\_\_:

Ordered Part	Provided by	Minimum Time Required for Provision
thermostats	Professional maintenance personnel	At least 7 years after the last model is launched on the market
temperature sensors	Professional maintenance personnel	At least 7 years after the last model is launched on the market
printed circuit boards	Professional maintenance personnel	At least 7 years after the last model is launched on the market
light sources	Professional maintenance personnel	At least 7 years after the last model is launched on the market
door handles	Professional repairers and final users	At least 7 years after the last model is launched on the market
door hinges	Professional repairers and final users	At least 7 years after the last model is launched on the market
trays	Professional repairers and final users	At least 7 years after the last model is launched on the market
baskets	Professional repairers and final users	At least 7 years after the last model is launched on the market
door gaskets	Professional repairers and final users	At least 10 years after the last model is launched on the market

Dear customer,

1. If you want to return or replace the product, please contact the store where you buy.  
(Remember to bring the purchase invoice)
2. If your product malfunctions and needs repair, please contact after-sales service provider.

### Product Data Sheet concerning (EU) 2019/2019

The product data sheet for your appliance can be found online if you wish to download a copy.

Go to <https://eprel.ec.europa.eu/> and enter the model identifier for your appliance to download the data sheet.

The model identifier for your appliance can be found on the rating plate at the rear/inside of the appliance.

### Place the food in different compartments according to the following table

	Type of food
Door or balconies of fridge compartment	<ul style="list-style-type: none"> <li>Foods with natural preservatives, such as jams, juices, drinks, condiments. (Use within 1-2 days)</li> <li>Do not store perishable foods.</li> </ul>
Crisper drawer (salad drawer)	<ul style="list-style-type: none"> <li>Fruits, herbs and vegetables should be placed separately in the crisper bin. (Use within 1-2 days)</li> <li>Do not store bananas, onions, potatoes, garlic in the refrigerator.</li> </ul>
<ul style="list-style-type: none"> <li>Fridge shelf – bottom</li> <li>Chiller (box/drawer)</li> </ul>	<ul style="list-style-type: none"> <li>Raw meat, poultry, fish (for short-term storage)</li> </ul>
Fridge shelf – middle	<ul style="list-style-type: none"> <li>Dairy products, eggs (Use within the recommended time)</li> </ul>
Fridge shelf – top	<ul style="list-style-type: none"> <li>Foods that do not need cooking, such as ready-to-eat foods, deli meats, leftovers. (keep for only 1-2 days)</li> </ul>
Freezer drawer(s)/shelf	<ul style="list-style-type: none"> <li>Foods for long-term storage.               <ul style="list-style-type: none"> <li>Bottom drawer/shelf for raw meat, poultry, fish. (Storage time 4 months)</li> <li>Middle drawer/shelf for frozen vegetables, chips. (Storage time 6 months)</li> <li>Top drawer/shelf for ice cream, frozen fruit, frozen baked goods. (Storage time 2 months)</li> </ul> </li> </ul>

## 8. GUARANTEES

### Guarantees and limitations of liability

The Qilive guarantee is a commercial guarantee offered by SAS OIA, registered to 200 rue de la recherche, 59650 Villeneuve d'Ascq, for Qilive brand products, within its capacity as manufacturer.

The Qilive guarantee is applied without prejudice to your rights to benefit, freely, from the legal compliance guarantee applicable in the country of marketing. For further information on the legal compliance guarantee, please refer to your retailer's T&Cs of Sale (General Terms and Conditions of Sale).

### What is covered by the Qilive guarantee?

A Qilive guarantee covers the repair or replacement with equivalent features of your Qilive appliance if it is found to be defective due to a material fault or a manufacturing fault during the guarantee period.

Repaired or replaced products may include new and/or repackaged hardware and components.

If the product cannot be repaired or replaced, Qilive will refund the purchase price indicated on the proof of purchase.

### What isn't covered by the Qilive guarantee?

Qilive appliances are designed and manufactured to continuously offer high performances in normal domestic environments. If a Qilive appliance is used in line with the intended usage and it breaks down during the guarantee period, we are liable to repair or replace it.

Nevertheless, in some circumstances the Qilive guarantee does not cover the repair or replacement of an appliance. These circumstances are clearly indicated. The following cases are not covered:

- Normal wear, including aesthetics (e.g. scratches, dents or vandalism) and parts which may wear over time (e.g. fuse, belt, tyre, brake, filters, etc.)
- Damage or issues caused by incorrect use or use which doesn't comply with the serial plate or the user manual, or by an accident or alteration.
- Damage caused by failure to comply with the appliance's maintenance recommendations.
- Use or storage conditions which are detrimental to the good conservation of the appliance (oxidation, corrosion), use of energy, use or installation non-compliant with the manufacturer's instructions, or negligence or use of peripherals, software or consumables which are unsuitable.
- Professional, collective, industrial or commercial use of the product, or use for purposes other than normal domestic purposes in the country where it was purchased.
- Damage caused by external sources, such as transport, weather conditions, electrical outages or power surges.
- Modified products, products with damaged, altered, erased or rusted guarantee seals or serial numbers.
- Damage caused by any intervention of non-authorized persons.
- Software updates as a consequence of changes to network settings
- Damage caused by elements external to the appliance (foreign bodies, insects, etc.)
- Appliance content - freezer, washing machine, etc. - (food, clothing, etc.)
- Product failure resulting from the use of third-party software to modify, change or adapt the product as supplied.
- Product failure resulting from use of the product without the accessories supplied with it or approved by Qilive.

The customer is responsible for regularly backing up the data contained on their hard disk or in the internal memory of their device, and this before any claim is submitted.

Qilive cannot be held liable for the loss or destruction of stored data, nor may it be held liable for damage caused to software resulting from, in particular, a restoration or breakdown.

In the same sense, Qilive is not required to check that SIM/SD cards have been removed from returned products.

### What are the modalities of the guarantee?

The modalities of the Qilive guarantee are as follows:

The guarantee enters into effect on the date of purchase (or date of delivery if this is later).

You'll need to provide proof of delivery/purchase before any intervention on your guaranteed appliance. Please note that, without this proof, any work carried out will be invoiced. Please keep your purchase receipt or delivery note.

Any interventions will be carried out by Qilive or its authorised agents.

Any replaced part becomes the property of Qilive.

The guarantee offers advantages which are in addition to your legal rights as a consumer and do not have any impact on the latter rights.

### How to apply the Qilive guarantee

To request the repair or replacement of your product under the Qilive guarantee, for any country other than France, please return your product to the service desk of your place of purchase along with your proof of purchase (e.g. the receipt) and the accessories provided with the product, including those necessary for its correct functioning (power, adapter, etc.) with its original packaging. To apply the guarantee in France, please submit a request on our website: <https://auth.sav-login.auchan.fr>. The following information will be required: date of purchase, model and serial or IMEI number (this information generally features on the product, packaging or proof of purchase).

### When does the guarantee become effective?

The Qilive guarantee is effective from the date of purchase or delivery of your appliance, the latest date being valid.

Your product is guaranteed by Qilive 3 years for parts and labour.

### Can Qilive guarantees be transferred?

Qilive guarantees can be transferred with the appliance, as long as the original proof of purchase from a recognised retailer, as well as proof of any change of ownership of the appliance, confirming the correct operational condition of the appliance at the time of change of ownership.

# APERÇU DU CONTENU :

FR

1. CONSIGNES DE SÉCURITÉ	P. 20
2. CARACTÉRISTIQUES TECHNIQUES	P. 23
3. DESCRIPTION DU PRODUIT	P. 23
4. INSTALLATION	P. 24
5. UTILISATION	P. 30
6. ENTRETIEN ET NETTOYAGE	P. 32
7. DÉPANNAGE	P. 34
8. GARANTIES	P. 37

## 1. CONSIGNES DE SÉCURITÉ


Avant d'utiliser cet accessoire, lisez attentivement ces instructions et conservez le manuel d'utilisation comme référence.



Mise en garde : Risque d'incendie / matériaux inflammables !

1. Cet appareil est destiné à être utilisé dans des applications domestiques et similaires telles que les cuisines du personnel dans les magasins, les bureaux et autres environnements de travail, les fermes et les clients des hôtels, des motels et autres environnements de type résidentiel, les chambres d'hôtes, la restauration et les applications non commerciales similaires.
2. Les enfants doivent être surveillés afin qu'ils ne puissent pas jouer avec cet appareil.
3. Si le cordon est endommagé, il doit être remplacé par le fabricant, son agent d'entretien ou une personne qualifiée pour éviter tout danger.
4. NE STOCKEZ PAS de substances explosives comme des bombes aérosol contenant du gaz inflammable dans cet appareil.
5. L'appareil doit être débranché après utilisation et avant d'effectuer toute opération d'entretien sur l'appareil.
6. MISE EN GARDE : Les ouvertures d'aération doivent rester exemptes de toute obstruction, à l'intérieur ou à l'extérieur de l'appareil.
7. MISE EN GARDE : N'utilisez pas de dispositifs mécaniques ou d'autres moyens pour accélérer le processus de dégivrage, autres que ceux conseillés par le fabricant.
8. MISE EN GARDE : N'endommagez pas le circuit réfrigérant.
9. MISE EN GARDE : N'utilisez pas d'appareils électriques à l'intérieur des compartiments dédiés au stockage des aliments, sauf s'ils font partie de ceux conseillés par le fabricant.
10. Le gaz frigorigène R600a contenu dans le réfrigérateur est un gaz naturel. Il n'est pas néfaste pour l'environnement, mais il est inflammable. Par conséquent, il est important de transporter et d'installer votre réfrigérateur avec précaution, afin de ne pas endommager les conduits réfrigérants. En cas de fuite de gaz, évitez tout contact avec des flammes ou feux proches, et aérez la pièce.
11. N'essayez jamais de réparer le réfrigérateur vous-même, faites appel à un technicien qualifié ou agréé pour le faire.
12. MISE EN GARDE : Veuillez abandonner le réfrigérateur conformément aux réglementations locales, car il utilise du gaz et du réfrigérant explosifs et inflammables.

13. MISE EN GARDE : Lorsque vous placez l'appareil, assurez-vous que le câble d'alimentation n'est pas coincé ou endommagé.
14. MISE EN GARDE : Ne placez pas plusieurs multiprises ou blocs d'alimentation portables à l'arrière de l'appareil.
15. NE PAS utiliser de rallonges ou d'adaptateurs non mis à la terre (à deux broches).
16. ATTENTION : Risque de piège pour les enfants. Avant de jeter votre ancien réfrigérateur ou votre ancien congélateur :
  - Retirez les portes.
  - Laissez les étagères en place pour empêcher les enfants de grimper dedans.
17. Vous devez débrancher le réfrigérateur de la source d'alimentation électrique avant d'essayer d'installer un accessoire.
18. Le réfrigérant et le matériau moussant à base de cyclopentane utilisés pour le réfrigérateur sont inflammables. Par conséquent, lorsque le réfrigérateur est mis au rebut, il doit être maintenu à l'écart de toute source de chaleur et récupéré par une entreprise de récupération spéciale ayant une qualification correspondante autre que celle de l'élimination par combustion, afin de prévenir les dommages à l'environnement ou tout autre préjudice.
19. S'agissant de la norme EN : Cet appareil peut être utilisé par des enfants âgés de 8 ans et plus ainsi que par des personnes dont les capacités physiques, sensorielles et mentales sont réduites, ou des personnes dénuées d'expérience ou de connaissance, si ceux-ci ont bénéficié d'une surveillance ou d'instructions préalables concernant l'utilisation de l'appareil en toute sécurité et comprennent les dangers encourus. Les enfants ne doivent pas prendre cet accessoire pour un jouet. Le nettoyage et l'entretien usuel par l'utilisateur ne doivent pas être effectués par des enfants sans surveillance. Les enfants âgés de 3 à 8 ans sont autorisés à charger et à décharger les appareils frigorifiques.
20. La nécessité que, pour les portes ou les couvercles équipés de serrures et de clés, les clés soient tenues hors de portée des enfants et ne se trouvent pas à proximité de l'appareil de réfrigération, afin d'éviter que les enfants ne soient enfermés à l'intérieur.
21. Pour éviter la contamination des aliments, respectez les instructions suivantes :
  - L'ouverture de la porte pendant de longues périodes peut provoquer une augmentation significative de la température dans les compartiments de l'appareil.
  - Nettoyez régulièrement les surfaces qui peuvent entrer en contact avec des aliments et les systèmes de drainage accessibles.
  - Nettoyez les réservoirs d'eau s'ils n'ont pas été utilisés pendant 48 heures : rincez le circuit d'eau raccordé à une alimentation en eau si l'eau n'a pas été puisée 5 jours de suite. (Remarque 1)
  - Conservez la viande et le poisson crus dans des récipients appropriés au réfrigérateur pour éviter qu'ils soient en contact avec d'autres aliments ou s'égouttent sur ceux-ci.
  - Les compartiments d'aliments congelés à deux étoiles conviennent à la conservation d'aliments précongelés, à la conservation ou à la fabrication de crème glacée et de glaçons. (Remarque 2)
  - Les compartiments à 1, 2 et 3 étoiles ne conviennent pas à la congélation des aliments frais. (Remarque 3)
  - Si l'appareil frigorifique est laissé vide pendant de longues périodes, éteignez-le, dégivrez-le, nettoyez-le, séchez-le et laissez la porte ouverte pour empêcher la moisissure de se développer dans l'appareil.
  - Concernant les appareils sans compartiment 4 étoiles : cet appareil de réfrigération ne convient pas à la congélation des aliments. (Note 4)
  - Remarques 1, 2, 3, 4 : Veuillez confirmer si elles sont applicables en fonction du type de compartiment de votre produit.
22. Concernant un appareil autoportant : cet appareil de réfrigération n'est pas destiné à être utilisé comme un appareil encastré.

23. Tout remplacement ou entretien des lampes LED doit être effectué par le fabricant, son agent d'entretien ou une personne qualifiée comparable.
24.  Le marquage de cet appareil (symbole d'une poubelle barrée) est conforme à la directive européenne 2012/19/UE relative aux « équipements électriques et électroniques usagés ». Ce marquage signifie que cet équipement, à la fin de son cycle de vie, ne peut pas être mis au rebut avec les autres déchets ménagers. L'utilisateur est tenu de le remettre aux opérateurs de collecte des équipements électriques et électroniques usagés. Les opérateurs de collecte, y compris les points de collecte locaux, les magasins et les autorités locales, créent un système approprié pour la collecte des équipements. Une collecte appropriée des équipements électriques et électroniques usagés permet d'éviter les effets néfastes sur la santé humaine et l'environnement, résultant de la présence de composants dangereux, ainsi que d'un rangement et d'un traitement inappropriés de ces équipements.

### 1.1. MISES EN GARDE CONCERNANT LA CONSOMMATION D'ÉNERGIE

1. Il se peut que les températures des appareils frigorifiques ne soient pas toujours constantes (décongélation ou température trop élevée dans le congélateur, par exemple) si le thermostat reste réglé trop longtemps sur la température la plus basse pour laquelle l'appareil est conçu.
2. Le fait que les boissons effervescentes ne doivent pas être conservées dans les compartiments ou caissons de congélation des aliments ou dans les compartiments ou caissons à basse température, et que certains produits comme les glaces à l'eau ne doivent pas être consommés trop froids.
3. La nécessité de ne pas dépasser le(s) temps de conservation recommandé(s) par les fabricants d'aliments pour tout type d'aliments et en particulier pour les aliments surgelés commercialement dans les compartiments ou caissons de conservation des congélateurs et des aliments surgelés.
4. Les précautions nécessaires pour éviter une augmentation excessive de la température des aliments congelés pendant le dégivrage de l'appareil de réfrigération, par exemple en enveloppant les aliments congelés dans plusieurs couches de papier journal.
5. L'augmentation de la température des aliments congelés pendant le dégivrage manuel, l'entretien ou le nettoyage peut réduire la durée de conservation.

## 2. CARACTÉRISTIQUES TECHNIQUES

Alimentation	220-240 V~,50 Hz
Intensité nominale	0,5 A
Consommation électrique	176 kWh/a
Classe de protection	I
Classe climatique	N/ST
Puissance nominale de la lampe	Max. 2 W
Volume total	204 L
Volume du compartiment des aliments frais	163 L
Volume du compartiment quatre étoiles	41 L
Réfrigérant et quantité à injecter	R600a/44g
Dimensions (H x L x l)	1430 x 550 x 550 mm
Poids net	37 kg

## 3. DESCRIPTION DU PRODUIT

- |               |                       |
|---------------|-----------------------|
| 1. Étagère    | 4. Étagère            |
| 2. Thermostat | 5. Tiroir des légumes |
| 3. Étagère    | 6. Plateau de porte   |

## 4. INSTALLATION

### 4.1. EMPLACEMENT

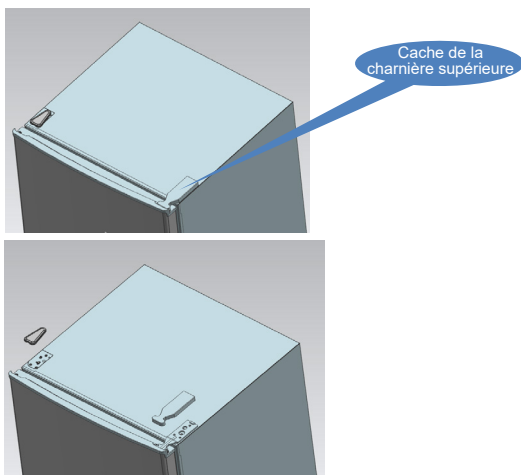
FR

- Lors du choix de l'emplacement de votre appareil, assurez-vous que le sol est plat et ferme, et que la pièce est bien ventilée.
- Évitez de placer votre appareil près d'une source de chaleur, par exemple une cuisinière, une chaudière ou un radiateur. Évitez également la lumière directe du soleil, car elle peut augmenter la consommation électrique.
- Des températures ambiantes extrêmement froides peuvent également empêcher l'appareil de fonctionner correctement.
- Cet appareil n'est pas conçu pour être utilisé dans un garage ou à l'extérieur.
- Ne drapiez pas l'appareil avec une quelconque couverture.
- Lors de l'installation de l'appareil, veillez à laisser 10 cm d'espace libre sur les deux côtés, 10 cm à l'arrière et 30 cm en haut de celui-ci. Cela permettra à l'air froid de circuler autour du refroidisseur de vin et d'améliorer l'efficacité du processus de refroidissement.

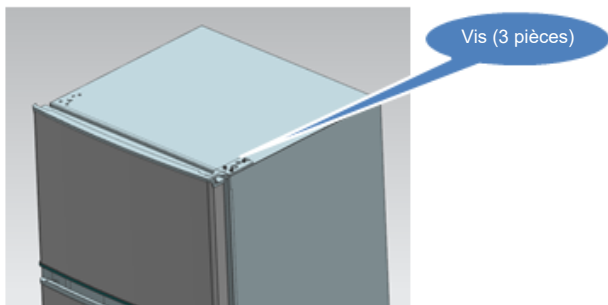
### 4.2. INVERSION DE L'ORIENTATION DE LA PORTE ( OPTIONNEL )

**Outils requis :** Tournevis Phillips / Tournevis à lame plate / Clé hexagonale

1. Retirez le cache de la charnière supérieure.



2. Retirez les vis (fixant la charnière supérieure) à l'aide d'un tournevis à fente croisée.

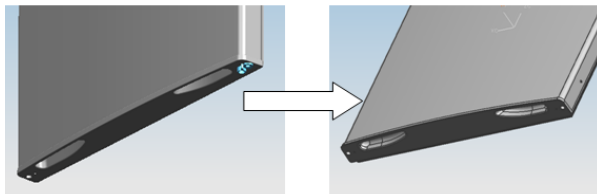




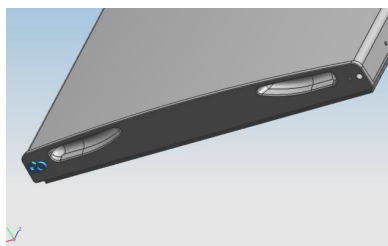
3. Remplacez la charnière supérieure, le bloc de limite de la porte supérieure et la bague de palier de la porte de l'autre côté.
  - a. Retirez l'écrou et la gaine. Enlevez la rondelle, puis déplacez les axes de l'autre côté et fixez-les.



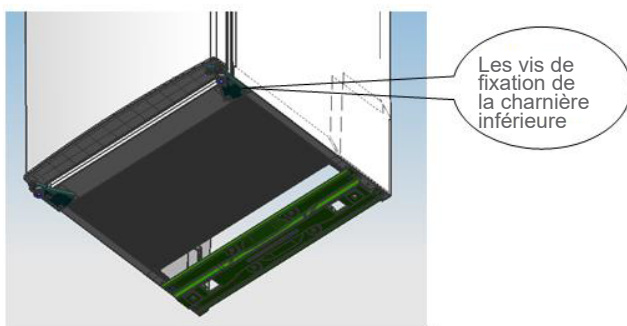
- b. Retirez le bloc de limite de porte.



- c. Retirez l'autre bloc de limite de porte (avec la vis de fixation à la porte).

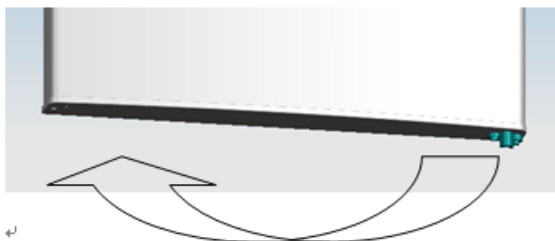


4. Retirez les vis (fixant la charnière inférieure) à l'aide d'un tournevis à fente croisée.

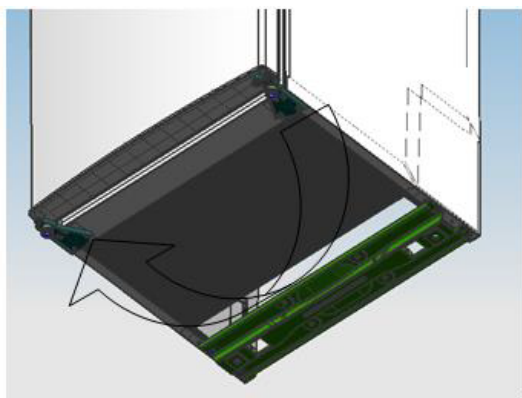


**Remarque :** L'angle maximal d'inclinaison du réfrigérateur-congélateur est de 45°.

5. Remplacez la bague de palier de la porte inférieure et le bloc de limite.



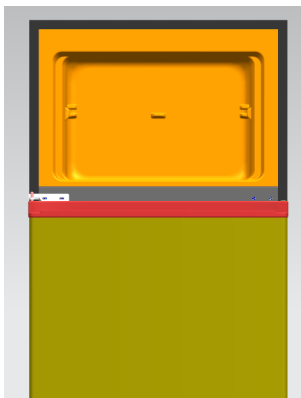
6. Remplacez la charnière inférieure de l'autre côté, puis fixez-la avec des vis.



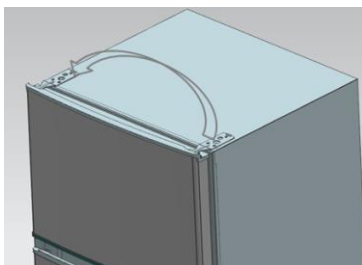
7. Remplacez la charnière centrale.



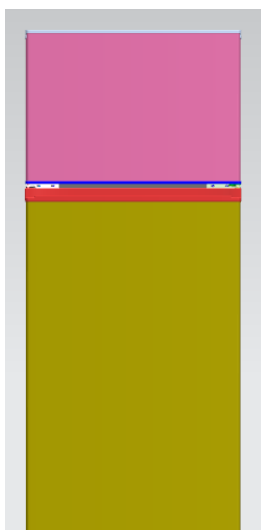
8. Fixez la porte inférieure dans la bonne position, puis fixez la charnière centrale.



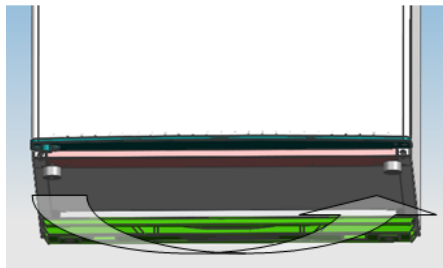
9. Remplacez la charnière supérieure.



10. Fixez la porte supérieure dans la bonne position, puis fixez la charnière supérieure et le couvercle.



11. Installez les quatre bouchons à vis et les deux loquets aux positions correspondantes.
  - Assurez-vous que l'appareil est débranché et vide.
  - Réglez les deux pieds de mise à niveau sur leur position la plus haute.
  - Nous vous recommandons de vous faire assister par quelqu'un.
12. Remplacez le niveleur de l'autre côté et réglez-le pour vous assurer que l'armoire est de niveau.



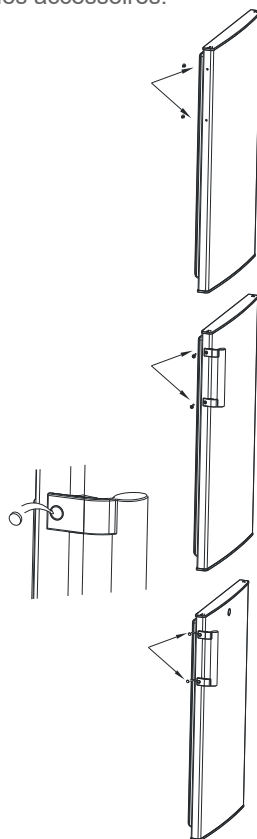
#### 4.3. INSTALLATION DES POIGNÉES DE PORTE ( OPTIONNEL )

**Remarque :** Les chiffres figurant dans le manuel d'utilisation ne sont donnés qu'à titre indicatif. Le produit réel peut légèrement différer. Le réfrigérateur doit être débranché de l'alimentation électrique avant de procéder à l'installation des accessoires.

Étape 1 : Retirez deux broches de fiche de la porte (du côté de l'ouverture de celle-ci).

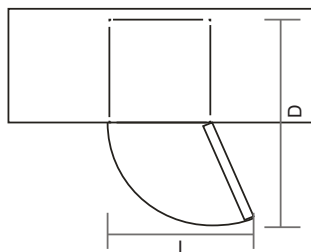
Étape 2 : Installez la poignée de porte sur la porte et fixez-la à l'aide des vis.

Étape 3 : Enfoncez les bouchons à vis de la poignée dans les trous de vis.



#### 4.4. ESPACE REQUIS POUR LES PORTES

La porte de l'appareil doit pouvoir s'ouvrir complètement comme indiqué.  
( $L \times D \geq 902 \times 1052$  mm)

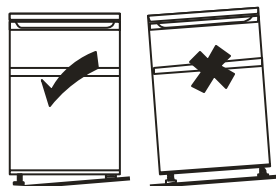


FR

#### 4.5. MISE À NIVEAU DE L'APPAREIL

Pour mettre l'appareil à niveau, réglez les deux pieds de mise à niveau situés à l'avant de l'appareil. Si l'appareil n'est pas à niveau, les alignements de la porte et du joint magnétique ne seront pas couverts correctement.

Assurez-vous que le pied touche le sol avant l'utilisation. Regardez vers le bas depuis le haut, réglez le pied de mise à niveau dans le sens des aiguilles d'une montre ou dans le sens inverse pour le serrer ou le desserrer.



#### 4.6. NETTOYAGE AVANT L'UTILISATION

Essuyez l'intérieur de l'appareil avec une solution faible de bicarbonate de soude. Rincez ensuite à l'eau chaude avec une éponge ou un chiffon essoré. Lavez les étagères et le bac à salade à l'eau tiède savonneuse et séchez-les complètement avant de les replacer dans l'appareil. Nettoyez l'extérieur de l'appareil avec un chiffon humide.

Si vous avez besoin de plus d'informations, consultez la section «ENTRETIEN ET NETTOYAGE».

#### 4.7. AVANT L'UTILISATION DE VOTRE APPAREIL

- N'endommagez pas le cordon d'alimentation, quelles que soient les conditions, afin de garantir une utilisation en toute sécurité. N'utilisez pas l'appareil si le cordon d'alimentation est endommagé ou si la fiche est usée.
- Ne placez pas d'objets inflammables, explosifs, volatiles ou hautement corrosifs dans le réfrigérateur, pour prévenir tout risque d'incendie ou d'endommagement du produit.
- Ne placez pas d'objet inflammable à proximité du réfrigérateur, pour éviter les incendies.
- Ce produit est un réfrigérateur à usage domestique, et ne convient qu'à la conservation des aliments. D'après les normes nationales, les réfrigérateurs à usage domestique ne doivent pas être utilisés à d'autres fins, comme la conservation de sang, de médicaments ou de produits biologiques.
- Ne placez pas de bouteilles ou de contenants de liquide scellés comme des canettes de bière ou autres boissons dans le congélateur, pour éviter tout éclatement ou autre perte.
- Avant de placer des aliments dans votre appareil, mettez-le en marche et attendez 24 heures, afin de vous assurer qu'il fonctionne correctement de manière à ce qu'il ait le temps d'atteindre la bonne température. Votre appareil ne doit pas être trop rempli.



- Avant de le brancher, Vous devez vérifier que vous disposez d'une prise murale compatible avec la fiche fournie avec l'appareil.
- Avant de le mettre en marche, Ne mettez pas l'appareil en marche avant deux heures après son déplacement.

#### 4.8. ACCESSOIRES D'INTÉRIEUR

Plusieurs étagères de conservation en verre ou en plastique sont fournies avec votre appareil - différents modèles présentent différentes combinaisons.

Vous devez toujours glisser l'une des étagères de conservation en verre pleine grandeur dans le jeu de guides le plus bas, au-dessus des récipients à fruits et légumes, et la maintenir dans cette position. Pour ce faire, tirez l'étagère de conservation vers l'avant jusqu'à ce qu'elle puisse être déplacée vers le haut ou vers le bas et retirée.

Pour insérer l'étagère à une hauteur différente, procédez de la même manière dans l'ordre inverse.



Pour exploiter au mieux le volume du compartiment de rangement des aliments frais et du compartiment de conservation des aliments surgelés, l'utilisateur peut retirer une ou plusieurs étagères, tiroirs, de l'appareil, en fonction de son utilisation quotidienne.

### 5. UTILISATION

#### 5.1. MISE EN MARCHÉ DE VOTRE APPAREIL

- Tournez la molette du thermostat pour régler la température à l'intérieur du réfrigérateur.  
Réglage «Min» : Température moins fraîche  
Réglage «Moyen» : Fonctionnement normal (convient à la plupart des situations)  
Réglage «Max» : Température la plus froide  
Réglage de «L'arrêt» : Lorsque la molette du thermostat est réglée sur «Arrêt», le réfrigérateur ne fonctionnera pas.
- La première fois que vous installez votre réfrigérateur, réglez la molette du thermostat sur «Moyen». Laissez du temps à votre réfrigérateur pour qu'il refroidisse complètement avant d'ajouter des aliments. Le meilleur temps d'attente est de 24 heures avant d'ajouter des aliments.
- Lorsque la température ambiante est élevée (par exemple, pendant les chaudes journées d'été), il peut être nécessaire de régler le thermostat sur la position la plus froide (position «Max»). Cela peut entraîner le fonctionnement continu du compresseur afin de maintenir une température basse dans l'armoire.

#### 5.2. PRÉSENCE DE BRUITS DANS L'APPAREIL

Vous pouvez remarquer que votre appareil émet des bruits inhabituels. La plupart d'entre eux sont parfaitement normaux, mais vous devez en être conscient ! Ces bruits sont causés par la circulation du fluide frigorigène dans le circuit de refroidissement. Ils se sont accentués depuis l'introduction des gaz sans CFC. Il ne s'agit pas d'un défaut et n'affectera pas les performances de votre appareil. Le fait d'entendre ces bruits indique que le moteur du compresseur fonctionne, car il pompe le réfrigérant dans le système.

### 5.3. CONSEILS POUR LA CONSERVATION DES ALIMENTS

- Les viandes/poissons cuisinés devraient toujours être conservés sur une étagère située au-dessus des viandes/poissons crus pour éviter toute contamination bactérienne. Conservez les viandes/poissons crus dans un contenant suffisamment grand pour retenir les jus, et recouvrez-le correctement. Placez le contenant sur l'étagère la plus basse.
- Laissez de l'espace entre vos aliments, pour permettre à l'air de circuler à l'intérieur de l'appareil. Assurez-vous que toutes les parties de l'appareil restent froides.
- Pour éviter un transfert des saveurs ou un dessèchement des aliments, emballez ou recouvrez séparément la nourriture. Les fruits et légumes n'ont pas besoin d'être emballés.
- Laissez toujours refroidir les aliments précuits avant de les mettre dans l'appareil. Cela permettra de maintenir la température interne de l'appareil.
- Pour éviter que l'air froid ne s'échappe de l'appareil, essayez de limiter le nombre de fois où vous ouvrez la porte. Nous vous recommandons de n'ouvrir la porte que lorsque vous devez y mettre des aliments ou en sortir.

### 5.4. CONSERVATION DES ALIMENTS CONGELÉS

- Tous les aliments congelés que vous achetez doivent être placés dans le congélateur dès que possible pour éviter qu'ils ne décongèlent et ne se dénaturent.
- Toutes les recommandations de conservation imprimées sur l'emballage des aliments congelés par le fabricant doivent toujours être respectées.
- Lors de la première utilisation du congélateur ou après un dégivrage, réglez la molette du thermostat sur la position maximale pendant au moins 2 heures avant d'introduire les aliments à conserver, puis réglez-la de nouveau sur la position normale.

### 5.5. CONSEILS RELATIFS À L'ÉCONOMIE D'ÉNERGIE

- Installez le réfrigérateur ou le congélateur dans un endroit frais, à l'abri de la lumière directe du soleil et loin des cuisinières, des chaudières, des lave-vaisselle ou de tout autre appareil dégageant de l'air chaud.
- Ne réglez pas les températures du congélateur plus bas que nécessaire. Réglez la température interne dans la plage correcte, par exemple, réglez le thermostat sur la position moyenne  $-18^{\circ}\text{C}$  dans le congélateur respectivement.
- Laissez refroidir les aliments précuits avant de les placer dans le réfrigérateur ou le congélateur : cela empêchera la température interne du réfrigérateur d'augmenter.
- Veillez à ce que votre congélateur soit plein, mais pas en excès. Essayez de laisser environ 20 % d'espace libre pour la circulation de l'air.
- Afin d'éviter que l'air froid ne s'échappe, limitez la fréquence d'ouverture de la porte. Quand vous rentrez des courses, triezy les aliments à conserver dans votre congélateur avant d'ouvrir la porte. N'ouvrez la porte que pour faire entrer ou sortir des aliments.
- Assurez-vous que le joint d'étanchéité de la porte est propre et en bon état. Il devrait tenir une feuille de papier bien en place lorsqu'il est fermé.
- Dégivrez régulièrement ou lorsque la glace a plus de 5 mm d'épaisseur. La glace épaisse qui recouvre les côtés intérieurs augmente considérablement la consommation d'énergie.
- La combinaison des tiroirs, paniers et clayettes présentée dans la description de l'appareil est optimale pour une économie d'énergie efficace. Changer la combinaison proposée pourrait modifier l'efficacité.

Numéro	Compartiments TYPE	Température de stockage cible. [°C]	Aliments appropriés
1	Réfrigérateur	+2 ~ +8	Les œufs, les aliments cuits, les aliments emballés, les fruits et légumes, les produits laitiers, les gâteaux, les boissons et autres aliments ne conviennent pas à la congélation.
2	(***)*- Congélateur	≤-18	Les fruits de mer (poissons, crevettes, crustacés), les produits marins d'eau douce et les produits carnés (recommandé pendant 3 mois ; plus le temps de stockage est long, plus le goût et la nutrition sont moins bons) ; adapté aux aliments frais surgelés.
3	***- Congélateur	≤-18	Les fruits de mer (poissons, crevettes, crustacés), les produits marins d'eau douce et les produits carnés (recommandé pendant 3 mois ; plus le temps de stockage est long, plus le goût et la nutrition sont moins bons) ; adapté aux aliments frais surgelés.
4	** - Congélateur	≤-12	Les fruits de mer (poissons, crevettes, crustacés), les produits marins d'eau douce et les produits carnés (recommandé pendant 3 mois ; plus le temps de stockage est long, plus le goût et la nutrition sont moins bons) ; adapté aux aliments frais surgelés.
5	* - Congélateur	≤-6	Les fruits de mer (poissons, crevettes, crustacés), les produits marins d'eau douce et les produits carnés (recommandé pendant 3 mois ; plus le temps de stockage est long, plus le goût et la nutrition sont moins bons) ; adapté aux aliments frais surgelés.
6	0 étoile	-6 ~ 0	« Le porc frais, le bœuf, le poisson, le poulet, certains aliments transformés emballés, etc. (Il est recommandé de les consommer le jour même, de préférence pas après 3 jours).
7	Refroidir	-2 ~ +3	Le porc, le bœuf, le poulet, les produits marins d'eau douce, etc. frais / congelés. (7 jours à une température inférieure à 0°C et supérieure à 0°C pour une consommation dans la journée, de préférence pas plus de 2 jours). Les fruits de mer (moins de 0 pour 15 jours, il n'est pas recommandé de les conserver au-dessus de 0°C.

Remarque : veuillez stocker différents aliments en fonction des compartiments ou de la température de stockage cible de vos produits achetés.

## 6. ENTRETIEN ET NETTOYAGE

### 6.1. DÉGIVRAGE

**Remarque :** Cet appareil n'est pas équipé d'un système de dégivrage automatique. Veuillez utiliser une pelle à glace en plastique pour dégager le givre de l'évaporateur. N'utilisez pas d'objets métalliques pointus.

### 6.2. NETTOYAGE DE L'INTÉRIEUR ET DE L'EXTÉRIEUR DE L'APPAREIL

- Les poussières qui se trouvent derrière le réfrigérateur et sur le sol doivent être nettoyées à temps pour améliorer l'effet de refroidissement et d'économie d'énergie.
- Vérifiez régulièrement le joint de la porte pour vous assurer qu'il n'y a pas de débris. Nettoyez le joint de porte avec un chiffon doux imbibé d'eau savonneuse ou de détergent dilué.
- L'intérieur du réfrigérateur doit être nettoyé régulièrement pour éviter les odeurs.
- Veuillez éteindre l'appareil avant de nettoyer l'intérieur, retirez tous les aliments, boissons, clayettes, tiroirs, etc.
- Utilisez un chiffon doux ou une éponge pour nettoyer l'intérieur du réfrigérateur, avec deux cuillères à soupe de bicarbonate de soude et un litre d'eau chaude. Rincez ensuite à l'eau et essuyez. Après le nettoyage, ouvrez la porte et laissez sécher naturellement avant de remettre l'appareil sous tension.
- Pour les zones difficiles à nettoyer dans le réfrigérateur (telles que les sandwichs étroits, les interstices ou les coins), il est recommandé de les



essuyer régulièrement à l'aide d'un chiffon doux, d'une brosse douce, etc. et, si nécessaire, de les combiner avec certains outils auxiliaires (tels que des bâtonnets fins) afin de garantir l'absence d'accumulation de contaminants ou de bactéries dans ces zones.

- N'utilisez pas de savon, de détergent, de poudre à récurer, de nettoyant sous forme de vaporisant, etc., car ils peuvent provoquer des odeurs à l'intérieur du réfrigérateur ou infecter les aliments.
- Nettoyez la porte-bouteilles, les clayettes et les tiroirs avec un chiffon doux imbibé d'eau savonneuse ou de détergent dilué. Séchez avec un chiffon doux ou laissez sécher naturellement.
- Essuyez la surface extérieure du réfrigérateur avec un chiffon doux imbibé d'eau savonneuse, de détergent, etc. et essuyez-le ensuite.
- N'utilisez pas de brosses dures, de billes d'acier, de brosses métalliques, d'abrasifs (tels les dentifrices), de solvants organiques (tels que de l'alcool, l'acétone, l'huile de banane, etc.), d'eau bouillante, d'éléments acides ou alcalins, qui pourraient endommager la surface et l'intérieur du réfrigérateur. L'eau bouillante et les solvants organiques tels que le benzène peuvent déformer ou endommager les pièces en plastique.
- Ne rincez pas directement avec de l'eau ou d'autres liquides pendant le nettoyage pour éviter les courts-circuits ou affecter l'isolation électrique après l'immersion.

### 6.3. CONSEILS RELATIFS AU NETTOYAGE

De la condensation peut se constituer sur la surface intérieure de l'appareil. Cela peut être dû à un changement de température ambiante. Essayez tout résidu d'humidité. Si le problème persiste, contactez un technicien qualifié pour obtenir de l'aide.

### 6.4. ENTRETIEN

#### Changement de la lampe interne

Le remplacement de la lampe ne doit être effectué que par un technicien qualifié.

#### Faites attention lorsque vous manipulez/déplacez votre appareil

Tenez l'appareil par ses côtés ou par sa base lorsque vous le déplacez. En aucun cas, il ne doit être soulevé en le tenant par les bords de la surface supérieure.

#### Réparation

L'appareil devrait être réparé par un ingénieur agréé et seules des pièces de rechange d'origine devraient être utilisées. En aucun cas, vous ne devriez essayer de réparer l'appareil vous-même. Les réparations effectuées par des personnes inexpérimentées peuvent provoquer des blessures ou des dysfonctionnements graves. Contactez un technicien qualifié.

#### Éteindre l'appareil pendant de longues périodes

Lorsque l'appareil n'est pas utilisé pendant une longue période, débranchez-le, videz tous les aliments et nettoyez celui-ci en laissant la porte entrouverte pour éviter les mauvaises odeurs.

## 7. DÉPANNAGE

Vous pouvez essayer de résoudre tout seul les problèmes simples suivants. S'ils ne peuvent être résolus, veuillez contacter le service après-vente.

FR

Problème	Solution recommandée
Fonctionnement défectueux	<ul style="list-style-type: none"><li>• Vérifiez que le réfrigérateur est bien branché à la prise électrique.</li><li>• Baisse de tension ;</li><li>• Vérifiez s'il y a une panne de courant ou si des circuits partiels se sont déclenchés.</li></ul>
Odeur	<ul style="list-style-type: none"><li>• Les aliments odorants doivent être emballés de manière sûre ;</li><li>• Vérifiez si des aliments sont dénaturés.</li><li>• Vérifiez si l'intérieur du réfrigérateur devrait être nettoyé.</li></ul>
Fonctionnement longue durée du compresseur	<ul style="list-style-type: none"><li>• Il est normal que le réfrigérateur fonctionne plus longtemps en été lorsque la température ambiante est plus élevée ;</li><li>• Ne mettez pas trop d'aliments dans le congélateur en même temps ;</li><li>• Ne mettez pas les aliments avant qu'ils ne soient refroidis ;</li><li>• Ouverture fréquente de la porte du réfrigérateur.</li></ul>
La lumière ne s'allume pas	<ul style="list-style-type: none"><li>• Vérifiez si le réfrigérateur est connecté à l'alimentation électrique</li><li>• Vérifiez si la lampe d'éclairage est endommagée ;</li><li>• Faites remplacer la lampe par un spécialiste si elle est endommagée.</li></ul>
La porte du réfrigérateur ne peut pas être correctement fermée.	<ul style="list-style-type: none"><li>• La porte est bloquée par des paquets d'aliments ;</li><li>• Trop d'aliments sont placés ;</li><li>• Le réfrigérateur penche.</li></ul>
Bruit fort	<ul style="list-style-type: none"><li>• Vérifiez si les aliments sont correctement placés et si le réfrigérateur est à niveau ;</li><li>• Vérifiez si les pièces du réfrigérateur sont correctement fixées.</li></ul>

Conseils :

- L'enceinte du réfrigérateur peut dégager de la chaleur pendant le fonctionnement, surtout en été, ce phénomène est causé par la radiation du condenseur, et c'est un phénomène normal.
- Condensation : un phénomène de condensation sera détecté sur la surface extérieure et les joints d'étanchéité de la porte du congélateur lorsque l'humidité ambiante est élevée, c'est un phénomène normal, et la condensation peut être essuyée avec une serviette sèche.
- Le compresseur en marche génère du bruit, surtout au démarrage et à l'arrêt.

**Tableau 1 Classes climatiques**

<b>Classe</b>	<b>Symbole</b>	<b>Plage de température ambiante(°C)</b>
Tempérée élargie	SN	+10 à +32
Tempérée	N	+16 à +32
Subtropicale	ST	+16 à +38
Tropicale	T	+16 à +43

FR

Tempérée élargie : indique que ce réfrigérateur est destiné à être utilisé à des températures ambiantes comprises entre 10 et 32 °C.

Tempérée : indique que ce réfrigérateur est destiné à être utilisé à des températures ambiantes comprises entre 16 et 32 °C.

Subtropicale : indique que ce réfrigérateur est destiné à être utilisé à des températures ambiantes comprises entre 16 et 38 °C.

Tropicale : indique que ce réfrigérateur est destiné à être utilisé à des températures ambiantes comprises entre 16 et 43 °C.

Les pièces commandées dans le tableau suivant peuvent être acquises par le biais du canal \_\_\_\_\_ :

<b>Pièce commandée</b>	<b>Fourni par</b>	<b>Temps minimum requis pour la livraison</b>
thermostats	Personnel d'entretien professionnel	Au moins 7 ans après le lancement du dernier modèle sur le marché
sondes de température	Personnel d'entretien professionnel	Au moins 7 ans après le lancement du dernier modèle sur le marché
cartes de circuits imprimés	Personnel d'entretien professionnel	Au moins 7 ans après le lancement du dernier modèle sur le marché
sources de lumière	Personnel d'entretien professionnel	Au moins 7 ans après le lancement du dernier modèle sur le marché
poignées de porte	Réparateurs professionnels et utilisateurs finaux	Au moins 7 ans après le lancement du dernier modèle sur le marché
charnières de porte	Réparateurs professionnels et utilisateurs finaux	Au moins 7 ans après le lancement du dernier modèle sur le marché
plateaux	Réparateurs professionnels et utilisateurs finaux	Au moins 7 ans après le lancement du dernier modèle sur le marché
paniers	Réparateurs professionnels et utilisateurs finaux	Au moins 7 ans après le lancement du dernier modèle sur le marché
joints de porte	Réparateurs professionnels et utilisateurs finaux	Au moins 10 ans après le lancement du dernier modèle sur le marché

Cher client,

1. Si vous souhaitez retourner ou remplacer le produit, veuillez contacter le magasin où vous achetez.  
(N'oubliez pas d'apporter la facture d'achat)
2. Si votre produit présente un dysfonctionnement et doit être réparé, veuillez contacter le service après-vente.

### Fiche technique du produit concernant (EU) 2019/2019

La fiche de données produit de votre appareil est disponible en ligne si vous souhaitez en télécharger une copie.

Rendez-vous sur <https://eprel.ec.europa.eu/> et saisissez l'identifiant du modèle de votre appareil pour télécharger la fiche technique

L'identifiant du modèle de votre appareil se trouve sur la plaque signalétique à l'arrière/à l'intérieur de celui-ci.

### Répartissez les aliments dans les différents compartiments, d'après le tableau ci-dessous :

	Type of food
Porte ou balconnets du réfrigérateur	<ul style="list-style-type: none"> <li>• Aliments contenant des conservateurs naturels, comme les confitures, les jus, les boissons, les condiments. (À utiliser dans les 1 à 2 jours)</li> <li>• Ne conservez pas d'aliments périssables</li> </ul>
Bac à légumes ( tiroir à salade)	<ul style="list-style-type: none"> <li>• Fruits, plantes aromatiques et légumes à conserver séparément dans le bac à légumes. (À utiliser dans les 1 à 2 jours)</li> <li>• Ne pas conserver des bananes, des oignons, des pommes de terre ou de l'ail au réfrigérateur</li> </ul>
<ul style="list-style-type: none"> <li>• Étagère du réfrigérateur - bas</li> <li>• Réfrigérateur (boîte / tiroir)</li> </ul>	<ul style="list-style-type: none"> <li>• Viande crue, volaille, poisson (pour une conservation de courte durée)</li> </ul>
Étagère de réfrigérateur – milieu	<ul style="list-style-type: none"> <li>• Produits laitiers, œufs (à utiliser dans le délai recommandé)</li> </ul>
Étagère du réfrigérateur - haut	<ul style="list-style-type: none"> <li>• Aliments qui ne nécessitent pas de cuisson, tels que les aliments prêts à consommer, la charcuterie, les restes (à conserver pendant 1 ou 2 jours seulement)</li> </ul>
Tiroir(s) / étagère du congélateur	<ul style="list-style-type: none"> <li>• Aliments à conserver à long terme.</li> <li>• Tiroir / étagère du bas pour la viande, la volaille et le poisson crus. (Durée de conservation de 4 mois)</li> <li>• Tiroir / étagère du milieu pour les légumes surgelés, les frites. (Durée de conservation de 6 mois)</li> <li>• Tiroir supérieur / étagère pour la crème glacée, les fruits congelés, les produits de boulangerie congelés. (Durée de conservation de 2 mois)</li> </ul>

## 8. GARANTIES

### Garanties et limites de responsabilité

La garantie Qilive est une garantie commerciale offerte par SAS OIA, avec adresse au 200 rue de la recherche, 59650 Villeneuve d'Ascq, sur les produits à marque Qilive, et ce en sa qualité de constructeur.

FR

La garantie Qilive s'applique sans préjudice de vos droits de bénéficiaire, gratuitement, de la garantie légale de conformité en vigueur dans les pays de commercialisation. Pour plus d'informations sur la garantie légale de conformité, veuillez consulter les CGV (Conditions Générales de Ventes) de votre distributeur.

Qu'est-ce qui est couvert par la garantie Qilive ?

Une garantie Qilive couvre la réparation ou le remplacement à fonctionnalités équivalentes de votre appareil Qilive s'il s'avère défectueux en raison d'un défaut matériel ou de fabrication pendant la période de garantie.

Les produits réparés ou remplacés peuvent inclure des composants et des équipements nouveaux et/ou reconditionnés.

Si le produit n'est ni réparable, ni remplaçable, Qilive le remboursera au prix d'achat mentionné sur la preuve d'achat.

Qu'est-ce qui n'est pas couvert par une garantie Qilive ?

Les appareils Qilive sont conçus et construits pour offrir des performances élevées en continu dans un environnement domestique normal. Si un appareil Qilive est utilisé selon l'utilisation prévue et qu'il tombe en panne pendant la période de garantie, il nous incombe de le réparer ou de le remplacer.

Toutefois, dans certaines circonstances, la garantie Qilive ne couvre pas la réparation ou le remplacement d'un appareil. Ces circonstances sont clairement indiquées. Les cas non couverts sont les suivants :

- Usure normale, y compris esthétiques (p. ex. rayures, bosses ou vandalisme) et les pièces qui peuvent s'user avec le temps (p. ex. fusible, courroie, pneu, frein, filtres, etc.)
- Dommages ou problèmes causés par une utilisation incorrecte ou non conforme à la plaque signalétique ou au manuel d'utilisation, un accident, une altération.
- Dommages causés par le non-respect des recommandations d'entretien de l'appareil.
- Utilisation ou stockage nuisible à la bonne conservation de l'appareil (oxydation, corrosion), d'utilisation d'énergie, d'emploi ou d'installation non conforme aux prescriptions du constructeur ou de négligences ou de l'utilisation de périphériques, logiciels ou consommables inadaptés.
- Utilisation professionnelle, collective, industrielle, commerciale du produit ou à des fins autres que des fins domestiques normales dans les pays où il a été acheté.
- Dommages causés par des sources externes telles que le transport, les intempéries, les pannes d'électricité ou les surtensions.
- Produits modifiés, ceux dont le scellé de garantie ou le numéro de série ont été endommagés, altérés, supprimés ou oxydés.
- Dommages causés par toute intervention effectuée par une personne non-agrèée.
- Mises à jour de logiciel, dues à un changement de paramètres réseau
- Dommages provenant d'éléments extérieurs à l'appareil (corps étrangers, insectes, etc.)
- Contenu des appareils - congélateur, lave-linge...- (denrées, vêtements,...)
- Défaillances du produit dues à l'utilisation de logiciels tiers pour modifier, changer adapter ou modifier l'existant.
- Défaillances du produit dues à l'utilisation sans les accessoires fournis avec le produit ou homologués par Qilive.

Le client doit faire son affaire personnelle de la sauvegarde régulière des données contenues sur son disque dur ou dans la mémoire interne de son appareil, et ce avant tout dépôt.

Qilive ne peut être tenu pour responsable de la perte ou de la destruction de données stockées ni des dommages aux logiciels consécutifs notamment à une restauration ou une panne.

De même, Qilive n'est pas tenu de vérifier que les cartes SIM / SD soient bien retirées des produits retournés.

Quelles sont les modalités de la garantie ?

Les modalités de la garantie Qilive sont les suivantes :

La garantie prend effet à la date d'achat (ou à la date de livraison si celle-ci est ultérieure).

Vous devez fournir une preuve de livraison/d'achat avant toute intervention sur votre appareil sous garantie. Veuillez noter que sans cette preuve, tout travail effectué sera facturé. Veuillez conserver votre reçu d'achat ou votre bon de livraison.

Toutes les interventions seront effectuées par Qilive ou ses agents autorisés.

Toute pièce remplacée devient la propriété de Qilive.

La garantie offre des avantages qui s'ajoutent à vos droits légaux en tant que consommateur et n'ont aucune incidence sur ceux-ci.

Comment faire valoir votre garantie Qilive ?

Pour demander la réparation ou remplacement de votre produit sous la garantie Qilive, pour tous pays autre que la France, rappez votre produit à l'accueil de votre lieu de vente muni de votre preuve d'achat (tel que le ticket de caisse), du produit et de ses accessoires fournis y compris ceux nécessaires à son bon fonctionnement (alimentation, adaptateur, etc.), avec son emballage d'origine. Pour une prise en charge en France, nous vous invitons à effectuer votre demande sur notre site : [https://auth sav-login.auchan.fr](https://auth.sav-login.auchan.fr). Il est important d'avoir comme information la date d'achat, le modèle et le numéro de série ou d'IMEI (ces informations apparaissent généralement sur le produit, l'emballage ou votre preuve d'achat).

Quand la garantie entre-t-elle en vigueur ?

La garantie Qilive entre en vigueur à la date d'achat ou de livraison de votre appareil, la date la plus tardive étant retenue.

Votre produit est garanti par Qilive 3 ans pièces et main d'œuvre.

Les garanties Qilive sont-elles transférables ?

Les garanties Qilive sont transférables avec l'appareil, à condition que la preuve d'achat d'origine d'un revendeur reconnu soit fournie, ainsi que la preuve de tout changement de propriété de l'appareil, confirmant le bon état de fonctionnement de l'appareil lorsque le changement de propriétaire a eu lieu.

# RESUMEN DEL CONTENIDO:

1. INSTRUCCIONES DE SEGURIDAD	P. 38
2. ESPECIFICACIONES TÉCNICAS	P. 41
3. DESCRIPCIÓN DEL PRODUCTO	P. 41
4. INSTALACIÓN	P. 41
5. USO	P. 48
6. MANTENIMIENTO Y LIMPIEZA	P. 49
7. SOLUCIÓN DE PROBLEMAS	P. 51
8. GARANTÍAS	P. 54

ES

## 1. INSTRUCCIONES DE SEGURIDAD



Antes de usar este producto, lea atentamente estas instrucciones y conserve el manual del usuario para futuras consultas.



Advertencia: ¡Peligro de incendio/materiales inflamables!

1. Este electrodoméstico está diseñado para usarse en aplicaciones domésticas y similares, como áreas de cocina para el personal en tiendas, oficinas y otros entornos de trabajo; casas de campo y por clientes en hoteles, moteles y otros entornos de tipo residencial; ambientes tipo bed and breakfast; catering y aplicaciones no minoristas similares.
2. Se debe supervisar a los niños para asegurar que no jueguen con el aparato.
3. En caso de que el cable de alimentación esté dañado debe ser reemplazado por el fabricante, el servicio técnico autorizado u otra persona con una cualificación similar para evitar accidentes.
4. No almacene en el aparato sustancias explosivas, como latas de aerosol con propulsores inflamables.
5. El aparato debe ser desenchufado después de utilizarlo y antes de llevar a cabo labores de mantenimiento.
6. ADVERTENCIA: Mantenga los orificios de ventilación (del aparato o de la estructura integrada) libres de obstáculos.
7. ADVERTENCIA: No utilice aparatos mecánicos ni de otro tipo, que no sean aquellos recomendados por el fabricante, para acelerar el proceso de descongelación.
8. ADVERTENCIA: No dañe el circuito refrigerante.
9. ADVERTENCIA: No utilice aparatos eléctricos dentro de los compartimentos de almacenamiento de alimentos, a no ser que se trate de aquellos recomendados por el fabricante.
10. El gas refrigerante R600a que contiene el frigorífico es un gas natural. No es peligroso para el medio ambiente, pero sí es combustible. Por tanto, es importante transportar e instalar el frigorífico con cuidado para no dañar los conductos refrigerantes. En caso de una fuga de gas, evite el contacto con llamas o fuego y ventile la habitación.
11. No intente reparar el frigorífico usted mismo; las reparaciones deben realizarlas únicamente personas autorizadas o cualificadas.
12. ADVERTENCIA: Deseche el refrigerador de acuerdo con las normas locales, ya que utiliza gas y refrigerante inflamables.

13. **ADVERTENCIA:** Al colocar el aparato, asegúrese de que el cable de alimentación no quede atrapado ni esté dañado.
14. **ADVERTENCIA:** No ubique múltiples tomas de corriente portátiles o fuentes de alimentación portátiles en la parte trasera del aparato.
15. **No utilice alargadores ni adaptadores sin conexión a tierra (dos clavijas).**
16. **PELIGRO:** Riesgo de atrapamiento de niños. Antes de desechar su viejo refrigerador o congelador:
  - Retire las puertas.
  - Deje las bandejas en su lugar de modo que los niños no puedan subirse al aparato con facilidad.
17. **Se debe desconectar el refrigerador de la fuente de alimentación eléctrica antes de intentar instalar el accesorio.**
18. El refrigerante y el material de espuma de ciclopentano utilizados en el frigorífico son inflamables. Por lo tanto, cuando se deseche el frigorífico, se debe mantener alejado de cualquier foco de fuego y debe recogerlo una empresa de recogida especial con la cualificación correspondiente, no se debe eliminar mediante combustión, de forma a evitar daños en el medioambiente o cualquier otro daño.
19. Para la norma EN: Este aparato puede ser utilizado por niños mayores de 8 años y personas con capacidades físicas, sensoriales o mentales reducidas o sin experiencia y conocimiento si se les ha supervisado o instruido sobre el uso del artefacto de una manera segura y entienden los peligros que conlleva. Los niños no deben jugar con el aparato. La limpieza y el mantenimiento por parte del usuario no deben ser realizados por niños sin supervisión. Los niños de 3 a 8 años pueden cargar y descargar aparatos de refrigeración.
20. Para las puertas o las tapas con cerraduras y llaves, es necesario mantener las llaves fuera del alcance de los niños y lejos del aparato de refrigeración para evitar que los niños se queden encerrados en el interior.
21. Para evitar la contaminación de los alimentos, siga estas instrucciones:
  - Abrir la puerta durante periodos prolongados puede provocar un aumento sustancial de la temperatura en los compartimentos del aparato.
  - Limpie periódicamente las superficies que pueden entrar en contacto con alimentos y los sistemas de desagüe accesibles.
  - Limpie los depósitos de agua si no se han usado durante 48 horas: enjuague el sistema de agua conectado a una toma de agua si no se ha extraído agua durante 5 días. (Nota 1)
  - Almacene la carne y el pescado crudos en recipientes apropiados en el refrigerador, de forma que no entren en contacto con otros alimentos ni goteen sobre ellos.
  - Los compartimentos de alimentos congelados de dos estrellas están destinados a almacenar alimentos precongelados, guardar o hacer helados y a hacer cubitos de hielo. (Nota 2)
  - Los compartimentos de una, dos y tres estrellas no son aptos para congelar alimentos frescos. (Nota 3)
  - Si el refrigerador se deja vacío durante mucho tiempo, apáguelo, desescárcelo, límpielo, séquelo y deje la puerta abierta para impedir que aparezca moho en el interior del aparato.
  - Para aparatos sin un compartimento de cuatro estrellas: este aparato de refrigeración no es adecuado para congelar alimentos. (Nota 4)
  - Nota 1,2,3,4: Confirme si es aplicable según el tipo de compartimento de su producto.
22. Para aparatos independientes: este aparato de refrigeración no está diseñado para usarse como aparato integrado.
23. Solo el fabricante, sus técnicos de mantenimiento o personas con cualificaciones similares deben realizar la sustitución o mantenimiento de las lámparas LED.

24.  La marca que aparece en este dispositivo (símbolo de un contenedor tachado) cumple con la Directiva Europea 2012/19/UE relativa a "equipos eléctricos y electrónicos usados". Dicha marca significa que este equipo, al final de su vida útil, no se debe desechar con otros residuos domésticos.  El usuario debe entregarlo a algún agente de recogida de equipos electrónicos y eléctricos usados. Los agentes de recogida, incluidos los puntos de recogida locales, comercios y autoridades locales, crean un sistema adecuado para la recogida de equipos. La recogida adecuada de los equipos electrónicos y eléctricos usados ayuda a evitar efectos nocivos en la salud humana y en el medio ambiente, derivados de componentes peligrosos, así como de un almacenamiento o tratamiento inadecuado de este equipo.

ES

### 1.1. ADVERTENCIAS DE ENERGÍA

1. Los aparatos de refrigeración puede que no operen uniformemente (posibilidad de descongelar los contenidos o de que la temperatura sea demasiado cálida en el compartimento de alimentos congelados) cuando se configuran durante un periodo prolongado de tiempo por debajo del extremo frío de la gama de temperaturas para las que está diseñado el aparato de refrigeración.
2. Las bebidas efervescentes no deben guardarse en los compartimentos o cajones del congelador de alimentos ni en los de baja temperatura, y que algunos productos, como los cubitos de hielo, no deben consumirse demasiado fríos.
3. No se deben superar los tiempos de conservación recomendados por los fabricantes de los alimentos para cualquier tipo de alimento y, en particular, para los alimentos comerciales congelados de forma rápida en compartimentos o cajones para conservar los alimentos congelados.
4. Se deben tomar las precauciones necesarias para evitar un aumento excesivo de la temperatura de los alimentos congelados mientras descongela el refrigerador como envolver los alimentos congelados en varias capas de papel de periódico.
5. Un aumento de la temperatura de los alimentos congelados durante la descongelación manual, el mantenimiento o la limpieza podrían acortar el tiempo de conservación.



## 2. ESPECIFICACIONES TÉCNICAS

Alimentación	220-240 V, 50 Hz
Corriente nominal	0,5 A
Consumo energético	176 kWh/a
Clase de protección	I
Clase climática	N/ST
Potencia nominal de la lámpara	máx. 2 W
Volumen total	204 L
Volumen del compartimento de alimentos frescos	163 L
Volumen del compartimento de cuatro estrellas	41 L
Refrigerante y cantidad inyectada	R600a/44g
Dimensiones (al. x la. x an.)	1430 x 550 x 550 mm
Peso neto	37 kg

ES

## 3. DESCRIPCIÓN DEL PRODUCTO

1. Estante
2. Termostato
3. Estante
4. Estante
5. Cajón de verduras
6. Bandeja de la puerta

## 4. INSTALACIÓN

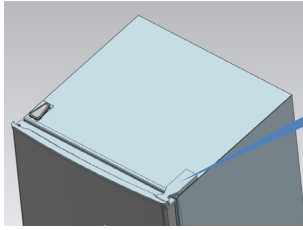
### 4.1. UBICACIÓN

- Al seleccionar la ubicación de la unidad, asegúrese de que el suelo sea plano y firme, y que la habitación esté bien ventilada.
- Evite colocar el aparato cerca de fuentes de calor, como fogones, calderas o radiadores. Asimismo, evite la luz directa del sol, ya que puede aumentar el consumo eléctrico.
- Las temperaturas ambiente extremadamente frías también pueden hacer que la unidad no funcione adecuadamente.
- Esta unidad no está diseñada para su uso en garajes ni en exteriores.
- No cubra la unidad con ningún tipo de tejido.
- Al instalar la unidad, asegúrese de dejar libres 10 cm a ambos lados, 10 cm en la parte posterior y 30 cm en la parte superior de la unidad. De este modo el aire frío podrá circular alrededor de la nevera para vinos y mejorará la eficiencia del proceso de enfriamiento.

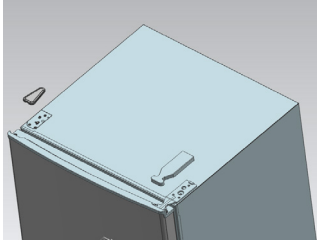
### 4.2. INVERSIÓN DE LA APERTURA DE LAS PUERTAS (OPCIONAL)

**Herramientas requeridas:** Destornillador de estrella, destornillador de punta plana, llave hexagonal

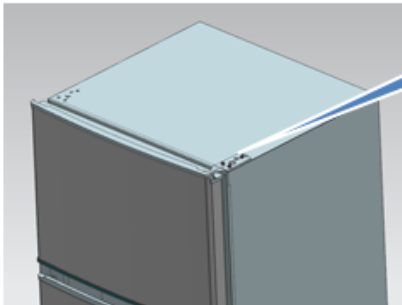
1. Retire la cubierta de la bisagra superior.



Cubierta de la bisagra superior



2. Retire los tornillos de fijación de la bisagra superior con un destornillador de estrella.

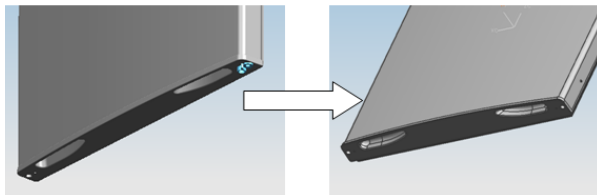


Tornillo (3 unidades)

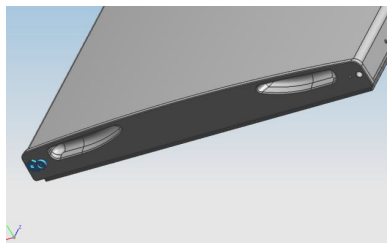
3. Coloque la bisagra superior, el tope superior de la puerta y el casquillo del cojinete de la puerta en el lado contrario.
- a. Retire la tuerca con casquillo. Saque la arandela, retire los ejes del lado contrario y fijelos.



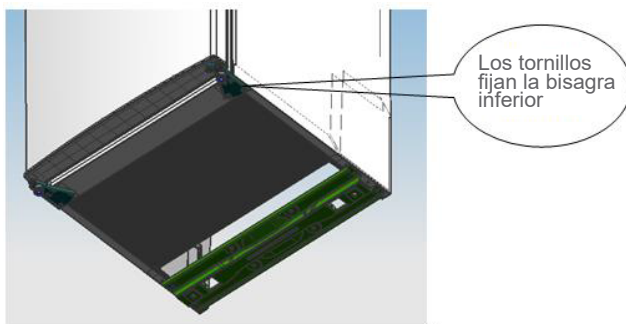
- b. Retire el tope de la puerta.



- c. Extraiga el otro tope de la puerta atornillado a la misma.

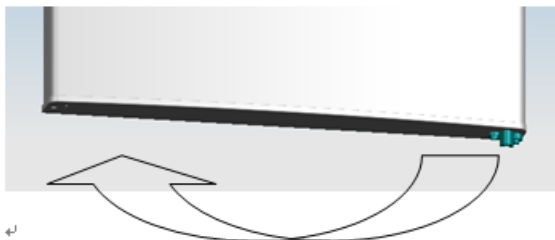


4. Retire los tornillos de fijación de la bisagra inferior con un destornillador de estrella.



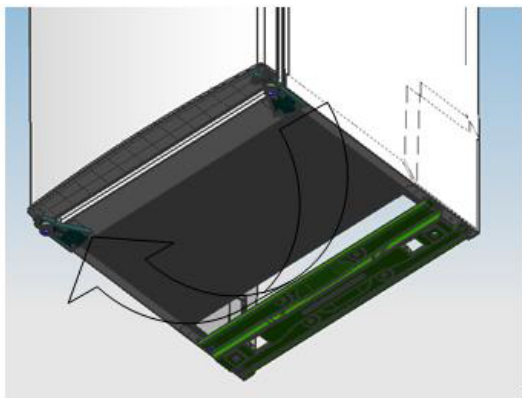
**Observación:** El ángulo de inclinación máximo del frigorífico-congelador es 45°.

5. Coloque el casquillo del cojinete inferior de la puerta y el tope.



ES

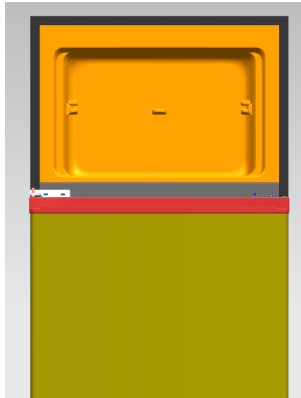
6. Coloque la bisagra inferior en el lado contrario y, a continuación, fjela con tornillos.



7. Coloque la bisagra central.

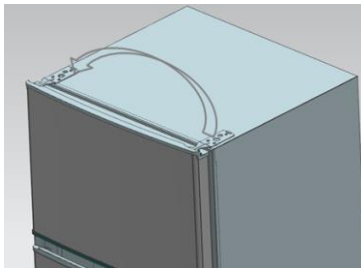


8. Fije la puerta inferior en la posición correcta y, a continuación, fije la bisagra central.

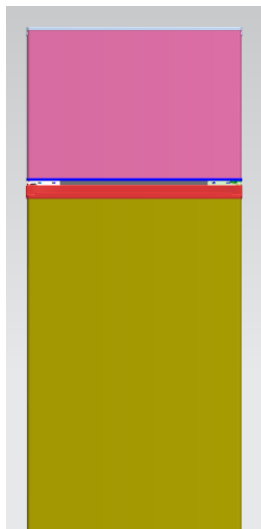


ES

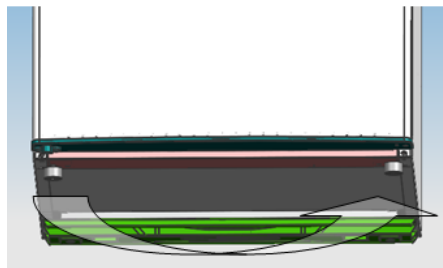
9. Coloque la bisagra superior.



10. Fije la puerta superior en la posición correcta y, a continuación, fije la bisagra superior y la cubierta.



11. Instale los cuatro tapones de los tornillos y los dos cerrojos en las posiciones correspondientes.
  - Asegúrese de que el aparato esté desconectado y vacío.
  - Ajuste los dos pies de equilibrado a la posición máxima.
  - Se recomienda contar con ayuda.
12. Coloque el nivelador en el lado contrario y ajústelo para asegurarse de que el aparato esté nivelado.



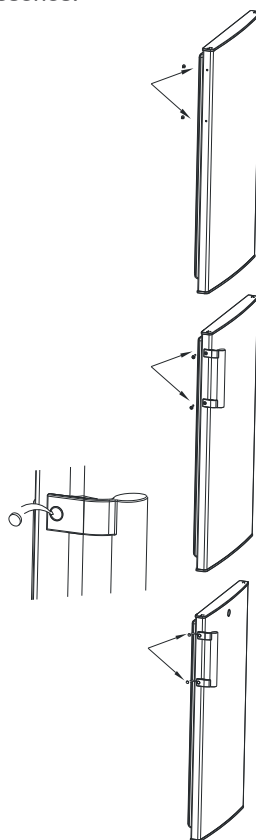
### 4.3. INSTALACIÓN DE LAS ASAS DE LA PUERTA (OPCIONAL)

**Observación:** Las imágenes que aparecen en el manual del usuario se ofrecen solo como referencia. El producto real puede diferir ligeramente. Se debe desconectar el frigorífico de la red eléctrica antes de intentar instalar los accesorios.

Paso 1: Extraiga los dos tapones de la puerta (lateral de la puerta abierta).

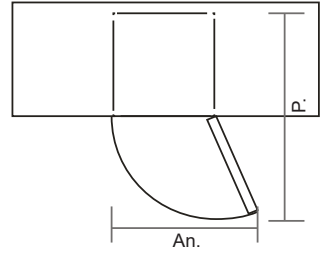
Paso 2: Instale el asa en la puerta y fíjela con tornillos.

Paso 3: Presione los tapones de los tornillos del asa en los orificios.



#### 4.4. REQUISITOS DE ESPACIO DE LA PUERTA

La puerta de la unidad se debe poder abrir completamente como se muestra.  
(An. × P. ≥ 902 × 1052 mm)

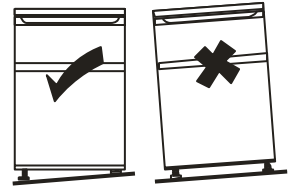


ES

#### 4.5. NIVELACIÓN DEL APARATO

Para nivelar el aparato, ajuste las dos patas niveladoras de la parte delantera. Si la unidad no está nivelada, la puerta y las alineaciones del sello magnético no se cubrirán adecuadamente.

Asegúrese de que el pie toca el suelo antes de usarlo. Mire desde arriba, ajuste el pie de nivelación hacia la derecha o la izquierda para apretarlo o soltarlo.



#### 4.6. LIMPIEZA ANTES DEL USO

Limpe el interior de la unidad con una solución suave de bicarbonato de sodio. A continuación, enjuáguelo con agua tibia usando un paño o una esponja escurrida. Lave los estantes y el recipiente para la ensalada en agua tibia con jabón y séquelos completamente antes de volver a colocarlos en el aparato. Limpie el exterior de la unidad con un paño húmedo.

Si necesita más información, consulte la sección "MANTENIMIENTO Y LIMPIEZA".

#### 4.7. ANTES DE UTILIZAR EL APARATO

- No dañe el cable de alimentación bajo ninguna circunstancia para garantizar un uso seguro; no utilice el aparato si el cable de alimentación está dañado o el enchufe está desgastado.
- No coloque objetos inflamables, explosivos, volátiles o altamente corrosivos en el frigorífico para evitar daños al producto e incendios.
- No coloque objetos inflamables cerca del frigorífico para evitar incendios.
- Este producto es un frigorífico de uso doméstico y solo es apto para el almacenamiento de comida. Según la normativa nacional, los frigoríficos de uso doméstico no se utilizarán con otros fines, como el almacenamiento de sangre, medicamentos o productos biológicos.
- No coloque objetos como botellas o contenedores sellados con líquidos en su interior, como cervezas u otras bebidas, en el congelador para evitar que exploten o que se produzcan otros accidentes.
- Antes de almacenar comida en el aparato, enciéndalo y espere 24 horas para asegurarse de que funciona adecuadamente y para que alcance la temperatura correcta. No se debe llenar demasiado el aparato.



- Antes de enchufar el aparato  
Se debe comprobar que se dispone de una toma de corriente compatible con el enchufe del aparato.
- Antes de encender el aparato  
No encienda el aparato hasta transcurridas 2 horas desde que se movió por última vez.

## 4.8. ACCESORIOS INTERIORES

Con el aparato se incluyen varios estantes de cristal o plástico para almacenamiento; los distintos modelos presentan diferentes combinaciones.

Encaje siempre uno de los estantes de almacenamiento de cristal de mayor tamaño en las guías inferiores, sobre los cajones de la fruta y la verdura. Para ello, tire del estante de almacenamiento hacia adelante hasta que se pueda mover hacia arriba y abajo para extraerlo.

Para insertar el estante a una altura distinta, haga lo mismo en orden inverso.



Para aprovechar al máximo el volumen del compartimento de almacenamiento de alimentos frescos y el compartimento de almacenamiento de alimentos congelados, el usuario puede extraer uno o varios estantes o cajones del aparato, en función del uso que habitualmente se les dé.

## 5. USO

### 5.1. ENCENDER EL APARATO

- Gire el botón del termostato para regular la temperatura en el interior del frigorífico.  
Configuración "Min": Temperatura menos fría  
Configuración "Mid": Funcionamiento normal (adecuado para la mayoría de las situaciones)  
Configuración "Max": Temperatura más fría  
Configuración "Off": Cuando el control del termostato está configurado en "Off", el frigorífico no estará en funcionamiento.
- Cuando instale por primera vez el frigorífico, coloque el botón del termostato en la posición "Mid". Deje que el frigorífico se enfríe por completo antes de introducir alimentos. Se recomienda esperar 24 horas antes de introducir alimentos.
- Cuando la temperatura ambiente sea alta (por ejemplo, durante los calurosos días de verano), es posible que sea necesario ajustar el termostato a la temperatura más fría (posición "Max"). Esto puede causar un funcionamiento con inuado del compresor para que el aparato mantenga una temperatura baja.

### 5.2. RUIDO EN EL INTERIOR DEL APARATO

Puede que note que el aparato emite ruidos inusuales. La mayoría son perfectamente normales, pero debe tenerlos en cuenta.

Estos ruidos son producto de la circulación del líquido refrigerante del sistema de enfriamiento. Este fenómeno ha aumentado desde la introducción de gases libres de CFC. No se trata de ningún fallo y no afecta al funcionamiento del aparato. Si oye ruidos, significa que el motor del compresor está funcionando y bombea el refrigerante por el sistema.

### 5.3. CONSEJOS PARA EL ALMACENAMIENTO DE ALIMENTOS

- La carne o el pescado cocinados deben almacenarse siempre en un estante superior a aquel donde se guarde la carne y pescado crudos para evitar la transmisión de bacterias. Guarde la carne y el pescado crudos en un recipiente suficientemente grande como para recoger sus jugos y tápelo de forma adecuada. Coloque el recipiente en el estante inferior.
- Deje espacio alrededor de los alimentos para que el aire circule por el refrigerador. Asegúrese de que todas las partes de la unidad se mantengan frías.
- Para evitar la transferencia de sabores y que los alimentos se sequen, empaquételos o cúbralos por separado. No es necesario envolver la fruta y la verdura.
- Deje siempre que los alimentos precocinados se enfríen antes de colocarlos en el refrigerador. Esto ayudará a mantener la temperatura interna de la unidad.
- Para evitar que el aire frío se escape del aparato, trate de limitar la cantidad de veces que abre la puerta. Le recomendamos que abra la puerta solo cuando necesite introducir o sacar alimentos.

### 5.4. ALMACENAR ALIMENTOS CONGELADOS

- Siempre que compre alimentos congelados, debe colocarlos en el congelador lo antes posible para evitar que se descongelen y estropeen.
- Siempre se deben seguir las recomendaciones de almacenamiento impresas por el fabricante en el empaquetado de la comida congelada.
- Al utilizar el congelador por primera vez o después de descongelarlo, coloque el botón del termostato en la posición máxima durante al menos 2 horas antes de introducir alimentos y, a continuación, reajústelo a su posición normal.



## 5.5. CONSEJOS PARA AHORRAR ENERGÍA

- Instale el frigorífico o congelador en un lugar fresco, apartado de la luz solar directa y de fogones, calentadores, lavavajillas o cualquier elemento que emita aire caliente.
- No ajuste la temperatura del congelador más baja de lo necesario. Ajuste la temperatura interna en un rango adecuado; por ejemplo, coloque el termostato en la posición media (-18 °C) en el congelador.
- Deje enfriar los alimentos cocinados antes de meterlos en el frigorífico o congelador para evitar que la temperatura interior aumente.
- No llene demasiado el frigorífico. Intente dejar aproximadamente un 20% de espacio libre para que circule el aire.
- Para evitar que escape el aire frío, limite la frecuencia de apertura de la puerta. Al volver de la compra, ordene la comida que vaya a guardar en el congelador antes de abrirlo. Abra la puerta únicamente para introducir comida o extraerla.
- Asegúrese de que el sello de la puerta esté limpio y en buenas condiciones. Debe poder mantener bien sujeto un papel cuando esté cerrada.
- Descongélalo con regularidad o cuando el espesor del hielo supere los 5 mm. Si hay una capa gruesa de hielo en las paredes interiores, aumentará significativamente el consumo de energía.
- La combinación de cajones, cestas y estantes que se muestra en la descripción del dispositivo es óptima para un ahorro energético eficiente. Cambiar la propuesta de combinación podría alterar la eficiencia.

Número	TIPO de compartimentos	Temp. de almacenamiento [°C]	Alimentos adecuados
1	Frigorífico	+2 ~ +8	Huevos, alimentos cocinados, alimentos envasados, frutas y verduras, productos lácteos, pasteles, bebidas y otros alimentos no son aptos para la congelación.
2	(***)*-Congelador	≤-18	Marisco (pescado, gambas, crustáceos), productos de agua dulce y productos cárnicos (se recomienda 3 meses, cuanto mayor sea el tiempo de almacenamiento, peor será el sabor y la nutrición), apto para alimentos frescos congelados.
3	***-Congelador	≤-18	Marisco (pescado, gambas, crustáceos), productos de agua dulce y productos cárnicos (se recomienda 3 meses, cuanto mayor sea el tiempo de almacenamiento, peor será el sabor y la nutrición), apto para alimentos frescos congelados.
4	** -Congelador	≤-12	Marisco (pescado, gambas, crustáceos), productos de agua dulce y productos cárnicos (se recomienda 3 meses, cuanto mayor sea el tiempo de almacenamiento, peor será el sabor y la nutrición), apto para alimentos frescos congelados.
5	*-Congelador	≤-6	Marisco (pescado, gambas, crustáceos), productos de agua dulce y productos cárnicos (se recomienda 3 meses, cuanto mayor sea el tiempo de almacenamiento, peor será el sabor y la nutrición), apto para alimentos frescos congelados.
6	0-estrellas	-6 ~ 0	Carne fresca de cerdo, ternera, pescado, pollo, algunos alimentos procesados envasados, etc. (Se recomienda consumir en el mismo día, preferiblemente antes de 3 días).
7	Frío	-2 ~ +3	Carne fresca/congelada de cerdo, ternera, pollo, productos de agua dulce, etc. (se recomiendan 7 días por debajo de 0°C, por encima de 0°C para consumir dentro de ese día y preferiblemente antes de 2 días). Marisco (menos de 0 durante 15 días, no se recomienda conservar a más de 0°C).

Nota: almacene los distintos alimentos en función de los compartimentos o de la temperatura de conservación de los productos adquiridos.

## 6. MANTENIMIENTO Y LIMPIEZA

### 6.1. DESCONGELACIÓN

**Observación:** Esta unidad no cuenta con un sistema de descongelación automático. Utilice una rasqueta de plástico para eliminar la escarcha del evaporador. No utilice objetos metálicos afilados.

## 6.2. LIMPIEZA DEL INTERIOR Y EXTERIOR DEL APARATO

- Se debe limpiar de manera oportuna el polvo que se encuentra detrás del frigorífico y en el suelo para mejorar el efecto refrigerador del aparato y ahorrar energía.
- Revise la junta de la puerta con regularidad para asegurarse de que no haya residuos. Limpie la junta de la puerta con un paño suave humedecido con agua jabonosa o detergente diluido.
- El interior del refrigerador debe limpiarse regularmente para evitar malos olores.
- Desconecte la alimentación antes de limpiar el interior, retire todos los alimentos, bebidas, estantes, cajones, etc.
- Use un paño suave o una esponja para limpiar el interior del refrigerador, con dos cucharadas de bicarbonato de sodio y un litro de agua tibia. A continuación, enjuague con agua y limpie. Después de limpiar, abra la puerta y deje que se seque naturalmente antes de encender la alimentación.
- En el caso de las zonas del frigorífico de más difícil acceso (como pliegues estrechos, huecos o esquinas), se recomienda limpiarlas regularmente con un paño suave, un cepillo suave, etc. y, cuando sea necesario, combinarlos con alguna herramienta auxiliar (como palillos finos) para asegurarse de que no se acumulan contaminantes ni bacterias en estas áreas.
- No emplee jabón, detergente, limpiadores en polvo ni en spray, etc., ya que pueden causar malos olores en el interior del frigorífico o contaminar los alimentos.
- Limpie la estructura de las botellas, los estantes y los cajones con un paño suave humedecido con agua jabonosa o detergente diluido. Seque con un paño suave o deje secar naturalmente.
- Limpie la superficie exterior del frigorífico con un paño suave humedecido en agua jabonosa, detergente, etc., y después lávelo.
- No utilice cepillos duros, estropajos metálicos, cepillos metálicos, productos abrasivos (como dentífrico), disolventes orgánicos (como alcohol, acetona, aceite de plátano, etc.), agua hirviendo, elementos ácidos o alcalinos, que puedan dañar la superficie y el interior del frigorífico. El agua hirviendo y los disolventes orgánicos como el benceno pueden deformar o dañar las piezas de plástico.
- No enjuague directamente con agua ni otros líquidos durante la limpieza para evitar cortocircuitos o afectar el aislamiento eléctrico después de la inmersión.

## 6.3. CONSEJOS DE LIMPIEZA

Puede aparecer condensación en la superficie interior del aparato. Se puede deber a un cambio de la temperatura de la estancia. Elimine cualquier residuo de humedad. Si el problema persiste, póngase en contacto con un técnico cualificado para que lo asista.

## 6.4. MANTENIMIENTO

### Cambio de la luz interior

El cambio de la luz debe realizarlo únicamente un técnico cualificado.

### Precauciones al manipular/mover el aparato

Sujete el aparato por los lados o la base al moverlo. En ningún caso se debe levantar el aparato sujetándolo de los bordes de la superficie superior.

### Mantenimiento

El aparato debe ser reparado por un técnico autorizado y solo deben usarse repuestos originales. En ningún caso debe intentar repararlo por sus propios medios. Las reparaciones realizadas por personas sin experiencia pueden provocar lesiones o una avería grave. Póngase en contacto con un técnico cualificado.

### Desconexión durante largos periodos de tiempo

Quando el aparato no esté en uso durante un período de tiempo prolongado, desconéctelo de la red eléctrica, saque todos los alimentos y limpie el aparato, dejando la puerta entreabierta para evitar olores desagradables.

## 7. SOLUCIÓN DE PROBLEMAS

Puede tratar de resolver los siguientes problemas sencillos por sí mismo. Si no se pueden resolver, póngase en contacto con el departamento de post-venta.

ES

Problema	Solución recomendada
Operación fallida	<ul style="list-style-type: none"> <li>• Compruebe si el frigorífico está conectado a la corriente.</li> <li>• Baja tensión</li> <li>• Compruebe si hay un fallo de corriente o han saltado los circuitos parciales.</li> </ul>
Olor	<ul style="list-style-type: none"> <li>• Los alimentos que desprendan más olor se deben envolver bien.</li> <li>• Compruebe si hay algún alimento podrido.</li> <li>• Compruebe si debe limpiar el interior del frigorífico.</li> </ul>
Funcionamiento prolongado del compresor	<ul style="list-style-type: none"> <li>• Es normal que el frigorífico funcione durante un tiempo más prolongado en verano, cuando la temperatura ambiente es alta.</li> <li>• No llene mucho el congelador.</li> <li>• No introduzca los alimentos hasta que se hayan enfriado.</li> <li>• Apertura frecuente de la puerta del frigorífico.</li> </ul>
La luz no se enciende	<ul style="list-style-type: none"> <li>• Compruebe si el frigorífico está conectado a la corriente.</li> <li>• Compruebe si la bombilla está estropeada.</li> <li>• En caso de que la luz esté estropeada, debe cambiarla un especialista.</li> </ul>
La puerta del frigorífico no se puede cerrar bien.	<ul style="list-style-type: none"> <li>• La puerta está atascada por los alimentos.</li> <li>• Hay demasiada comida.</li> <li>• El frigorífico está inclinado.</li> </ul>
Ruido fuerte	<ul style="list-style-type: none"> <li>• Compruebe si la comida está colocada adecuadamente y si el frigorífico está nivelado.</li> <li>• Compruebe si las piezas del frigorífico están correctamente fijadas.</li> </ul>

### Consejos:

- La carcasa del frigorífico puede emitir calor durante el funcionamiento, especialmente en verano; se trata de un fenómeno normal y se debe a la radiación del condensador.
- Condensación: se detectará el fenómeno de la condensación en la superficie exterior y los sellos de las puertas cuando la humedad ambiental sea alta; se trata de un fenómeno normal. La condensación puede eliminarse con una toalla seca.
- El funcionamiento del compresor, especialmente al arrancar y detenerse, generará un zumbido.

**Tabla 1 Clases climáticas**

Clase	Símbolo	Rango de temperatura ambiente (°C)
Templada extendida	SN	+ 10 a + 32
Templado	N	+ 16 a + 32
Subtropical	ST	+ 16 a + 38
Tropical	T	+ 16 a + 43

Templado extendido: este aparato de refrigeración está diseñado para ser utilizado a temperaturas ambiente que oscilan entre 10 y 32 °C;

Templado: este aparato de refrigeración está diseñado para ser utilizado a temperaturas ambiente que oscilen entre 16 y 32 °C;

Subtropical: este aparato de refrigeración está diseñado para ser utilizado a temperaturas ambiente que oscilan entre 16 y 38 °C;

Tropical: este aparato de refrigeración está diseñado para ser utilizado a temperaturas ambiente que oscilan entre 16 y 43 °C;

Las piezas pedidas en la siguiente tabla se pueden adquirir del canal \_\_\_\_\_:

Pieza pedida	Proporcionada por	Tiempo mínimo requerido para la provisión
termostatos	Personal de mantenimiento profesional	Al menos 7 años desde la salida al mercado del último modelo
sensores de temperatura	Personal de mantenimiento profesional	Al menos 7 años desde la salida al mercado del último modelo
placas de circuito impreso	Personal de mantenimiento profesional	Al menos 7 años desde la salida al mercado del último modelo
fuentes de luz	Personal de mantenimiento profesional	Al menos 7 años desde la salida al mercado del último modelo
manijas de puerta	Reparadores profesionales y usuarios finales.	Al menos 7 años desde la salida al mercado del último modelo
bisagras de puerta	Reparadores profesionales y usuarios finales.	Al menos 7 años desde la salida al mercado del último modelo
bandejas	Reparadores profesionales y usuarios finales.	Al menos 7 años desde la salida al mercado del último modelo
cestas	Reparadores profesionales y usuarios finales.	Al menos 7 años desde la salida al mercado del último modelo
juntas de puerta	Reparadores profesionales y usuarios finales.	Al menos 10 años desde la salida al mercado del último modelo

Estimado cliente:

- Si desea devolver o reemplazar el producto, póngase en contacto con la tienda donde lo compró. (Recuerde llevar la factura de compra)
- Si su producto no funciona correctamente y necesita reparación, contacte con el proveedor de servicio posventa.

## Ficha técnica del producto relativa a (UE) 2019/2019

La hoja de datos del producto para su electrodoméstico se puede encontrar en línea si desea descargar una copia.

Vaya a <https://eprel.ec.europa.eu/> e introduzca el identificador de modelo de su electrodoméstico para descargar la hoja de datos.

El identificador del modelo del aparato se encuentra en la placa de características situada en la parte posterior/interior del aparato.

ES

**Coloque los alimentos en los diferentes compartimientos de acuerdo a la tabla siguiente:**

	Tipo de alimento
Estantes de la puerta del compartimento frigorífico	<ul style="list-style-type: none"><li>Alimentos con conservantes naturales, como mermeladas, zumos, bebidas y condimentos. (Usar en el plazo de 1-2 días)</li><li>No almacene alimentos perecederos.</li></ul>
Cajón de verduras (cajón de ensalada)	<ul style="list-style-type: none"><li>Las frutas, hierbas aromáticas y verduras deben colocarse por separado dentro del cajón de verduras. (Usar en el plazo de 1-2 días)</li><li>No guarde plátanos, cebollas, patatas ni ajos en el frigorífico.</li></ul>
<ul style="list-style-type: none"><li>Estante del frigorífico – abajo</li><li>Refrigerador (compartimento cajón)</li></ul>	<ul style="list-style-type: none"><li>Carne, aves y pescado crudos (para almacenamiento durante poco tiempo)</li></ul>
Estante del frigorífico - centro	<ul style="list-style-type: none"><li>Productor lácteos, huevos (usar dentro del plazo recomendado)</li></ul>
Estante del frigorífico – arriba	<ul style="list-style-type: none"><li>Alimentos que no necesitan cocción, como alimentos listos para el consumo, charcutería, sobras (guardar solo durante 1-2 días).</li></ul>
Estante/cajón congelador	<ul style="list-style-type: none"><li>Alimentos para almacenar a largo plazo.</li><li>Cajón/estante inferior para carne, aves y pescado crudos. (Tiempo de almacenamiento: 4 meses)</li><li>Cajón/estante medio para verduras y patatas fritas congeladas. (Tiempo de almacenamiento: 6 meses)</li><li>Cajón/estante superior para helado, fruta congelada y alimentos horneados. (Tiempo de almacenamiento: 2 meses)</li></ul>

## 8. GARANTÍAS

### Garantías y límites de responsabilidad

La garantía Qilive es una garantía comercial ofrecida por SAS OIA, cuyo domicilio social se encuentra ubicado en 200 rue de la recherche, 59650 Villeneuve d'Ascq, en relación con los productos de la marca Qilive, en calidad de fabricante.

La garantía Qilive se aplicará sin perjuicio de sus derechos de beneficiarse, gratuitamente, de la garantía legal de conformidad que esté vigente en los países de comercialización. Para obtener más información sobre la garantía legal de conformidad, consulte las CGV (Condiciones generales de venta) de su distribuidor.

¿Qué está cubierto por la garantía Qilive?

Una garantía Qilive cubre la reparación o la sustitución de su aparato Qilive, con funciones equivalentes, en caso de que resulte defectuoso debido a un defecto material o de fabricación durante el periodo de garantía.

Los productos reparados o reemplazados podrán incluir componentes y equipos nuevos o reacondicionados.

Si el producto no se pudiera reparar ni sustituir, Qilive lo reembolsará al precio de compra indicado en el justificante de compra.

¿Qué es lo que no está cubierto por la garantía Qilive?

Los aparatos Qilive se diseñan y fabrican para que ofrezcan un alto rendimiento de manera continua, en un entorno doméstico normal. Si un aparato Qilive se utiliza según el uso previsto y se avería durante el periodo de garantía, nos encargaremos de repararlo o sustituirlo.

No obstante, en algunas circunstancias, la garantía Qilive no cubrirá la reparación ni la sustitución de un aparato. Esas circunstancias se indican claramente. Los casos no cubiertos son los siguientes:

- Desgaste normal, incluido el desgaste estético (p. ej., arañazos, abolladuras o vandalismo) y las piezas que pueden desgastarse con el tiempo (p. ej., fusibles, correas, neumáticos, frenos, filtros, etc.).
- Daños o problemas derivados de un uso incorrecto o no conforme con la placa de características o con el manual de instrucciones, un accidente o una modificación.
- Daños derivados del incumplimiento de las recomendaciones de mantenimiento del aparato.
- Utilización o almacenamiento perjudiciales para la conservación correcta del aparato (oxidación o corrosión); utilización de energía, manejo o instalación no conformes con las instrucciones del fabricante; negligencia o utilización de periféricos, software o consumibles no compatibles.
- Utilización profesional, colectiva, industrial o comercial del producto, o con fines distintos a los fines domésticos habituales en el país en el que se hubiera comprado.
- Daños derivados de fuentes externas, por ejemplo, transporte, intemperie, averías eléctricas o sobretensiones.
- Productos modificados y aquellos cuyo precinto de garantía o número de serie hayan sido dañados, alterados, suprimidos o estén oxidados.
- Daños causados por cualquier intervención que efectúe una persona no autorizada.
- Actualizaciones del software que se deban a un cambio de configuración de la red.
- Daños derivados de elementos externos al aparato (cuerpos extraños, insectos, etc.).
- Contenido de los aparatos —congelador, lavadora, etc.— (alimentos, prendas de ropa, etc.).
- Fallos del producto que se deban al uso de paquetes de software de terceros para cambiar, adaptar o modificar el software existente.
- Fallos del producto derivados de no utilizar los accesorios suministrados con el producto u homologados por Qilive.

El cliente deberá encargarse de proteger con regularidad los datos guardados en su disco duro o en la memoria interna de su aparato antes de entregar el producto.

Qilive no se hará responsable de la pérdida o destrucción de datos almacenados ni por los daños causados en el software durante una operación de restauración o reparación.

Asimismo, Qilive no tendrá la obligación de comprobar que las tarjetas SIM o SD se hayan retirado de los productos devueltos.

¿Qué modalidades tiene la garantía?

Las modalidades de la garantía Qilive son las siguientes:

La garantía entrará en vigor en la fecha de compra (o en la fecha de entrega, si fuera posterior a la de compra).

Usted deberá presentar un justificante de entrega o compra antes de que se realice cualquier operación en el aparato que esté cubierta por la garantía. Tenga en cuenta que, si no tiene un justificante, se le facturarán los trabajos realizados. Conserve su justificante de compra o el albarán de entrega.

Todas las intervenciones serán realizadas por Qilive o sus agentes autorizados.

Toda pieza que se sustituya pasará a ser propiedad de Qilive.

La garantía ofrece ventajas que se sumarán a sus derechos legales como consumidor y que no afectarán a esos derechos.

¿Cómo puede reclamar su garantía Qilive?

Para solicitar la reparación o la sustitución de su producto cubierto por la garantía Qilive, en todos los países excepto en Francia, lleve el producto al mostrador de atención del lugar donde lo compró, con el justificante de compra (por ejemplo, el recibo de caja), con los accesorios incluidos, necesarios para su funcionamiento correcto (alimentación, adaptador, etc.), con su envase original. En el caso de Francia, basta con efectuar la solicitud en nuestra página web: [https://auth sav-login.auchan.fr](https://auth.sav-login.auchan.fr). Es importante que indique la fecha de compra, el modelo y el número de serie o de IMEI (esta información aparece, por lo general, en el producto, el envase o el justificante de compra).

¿Cuándo entra en vigor la garantía?

La garantía Qilive entrará en vigor en la fecha de compra o de entrega del aparato, la fecha que sea posterior.

Su producto contará con la garantía de Qilive durante 3 años, que cubrirá las piezas y la mano de obra.

¿Se pueden transferir las garantías Qilive?

Las garantías Qilive se pueden transferir con el aparato, siempre que se presente el justificante de compra original de un distribuidor autorizado, así como el justificante del cambio de propiedad del aparato, que confirme el buen estado de funcionamiento del aparato cuando se produjo el cambio de propiedad.

# RESUMO DO CONTEÚDO:

1. INSTRUÇÕES DE SEGURANÇA	P. 55
2. ESPECIFICAÇÕES TÉCNICAS	P. 58
3. DESCRIÇÃO DO PRODUTO	P. 58
4. INSTALAÇÃO	P. 58
5. UTILIZAÇÃO	P. 65
6. MANUTENÇÃO E LIMPEZA	P. 66
7. RESOLUÇÃO DE PROBLEMAS	P. 68
8. GARANTIAS	P. 71

## 1. INSTRUÇÕES DE SEGURANÇA

Antes de usar este produto, leia atentamente as presentes instruções e guarde o manual de instruções para consulta futura.




Aviso: Risco de incêndio/materiais inflamáveis!

1. Este aparelho destina-se a ser utilizado em aplicações domésticas e similares, tais como cafeterias de pessoal em lojas, escritórios e outros ambientes profissionais, quintas e por clientes em hotéis, motéis e outros ambientes do tipo residencial, tipos de alojamentos de curtas estadias, catering e aplicações similares não comerciais.
2. As crianças devem ser supervisionadas, para assegurar que não brincam com o aparelho.
3. Se o cabo de alimentação estiver danificado, este deve ser substituído pelo fabricante, pelo agente de serviço ou por pessoal igualmente qualificado, de modo a evitar perigos.
4. NÃO armazene substâncias explosivas, tais como embalagens aerossóis com um propulsor inflamável, neste aparelho.
5. O aparelho deve ser desligado após a sua utilização e antes de se proceder à manutenção do aparelho por parte do utilizador.
6. AVISO: Mantenha as aberturas da ventilação, no compartimento ou na estrutura onde o aparelho está integrado, desobstruídas.
7. AVISO: Não utilize dispositivos mecânicos ou outros meios de acelerar o processo de descongelação, para além dos recomendados pelo fabricante.
8. AVISO: Não danifique o circuito de refrigeração.
9. AVISO: Não utilize aparelhos elétricos no interior dos compartimentos para armazenamento de alimentos do aparelho, a menos que sejam do tipo recomendado pelo fabricante.
10. O gás refrigerante R600a, presente no frigorífico, é um gás natural. Não é nocivo para o meio ambiente, mas é combustível. É, assim, importante que transporte e instale o seu frigorífico de forma cuidadosa para não danificar as condutas de refrigeração. Na eventualidade de uma fuga de gás, evite o contacto com chamas ou fogos nas proximidades e ventile o local.
11. Nunca tente reparar o frigorífico por conta própria, procure apenas um técnico de manutenção qualificado ou autorizado para reparações.

12. AVISO: Elimine o frigorífico de acordo com os regulamentos locais, uma vez que utiliza gás inflamável e líquido refrigerante.
13. AVISO: Ao posicionar o aparelho, certifique-se de que o cabo de alimentação não fica preso ou danificado.
14. AVISO: Não coloque tomadas múltiplas portáteis ou fontes de alimentação portáteis na parte traseira do aparelho.
15. NÃO use cabos de extensão ou adaptadores (de dois pinos) não ligados à terra.
16. PERIGO: Risco de aprisionamento de crianças. Antes de eliminar o seu frigorífico ou congelador usado:
  - Retire as portas.
  - Deixe as prateleiras no lugar para as crianças não poderem subir e entrar facilmente para dentro do aparelho.
17. O frigorífico deve ser desligado da tomada antes de se tentar efetuar a instalação do acessório.
18. O material refrigerante e de espuma de ciclopentano utilizados no frigorífico são inflamáveis. Por conseguinte, quando o frigorífico é eliminado, deve ser mantido afastado de qualquer fonte de ignição e ser reciclado por uma empresa de reciclagem qualificada para o efeito onde não seja eliminado por combustão, de modo a evitar danos ao ambiente ou qualquer outro dano.
19. Para a norma EN: Este aparelho pode ser utilizado por crianças a partir dos 8 anos e por pessoas com capacidades físicas, sensoriais ou mentais reduzidas ou com falta de experiência e conhecimento, se forem supervisionadas ou tiverem tido formação relativa à utilização do aparelho de uma forma segura e compreenderem os perigos envolvidos. As crianças não devem brincar com o aparelho. A limpeza e a manutenção da responsabilidade do utilizador não deverão ser feitas por crianças não supervisionadas. As crianças com idades entre os 3 e os 8 anos estão autorizadas a carregar e descarregar aparelhos de refrigeração.
20. A necessidade de que, para portas ou tampas equipadas com fechaduras e chaves, as chaves sejam mantidas fora do alcance das crianças e não nas proximidades do aparelho frigorífico, a fim de evitar que as crianças fiquem trancadas no interior.
21. Para evitar a contaminação dos alimentos, respeite as seguintes instruções:
  - Manter a porta aberta durante períodos de tempo prolongados pode provocar um aumento significativo da temperatura nos compartimentos do aparelho.
  - Limpe regularmente as superfícies que possam estar em contacto com os alimentos e os sistemas de drenagem acessíveis.
  - Limpe os depósitos de água se estes não tiverem sido utilizados durante 48 horas: limpe o sistema de águas ligado à rede de abastecimento se a água não tiver sido escoada há mais de 5 dias. (Nota 1)
  - Guarde carne e peixe crus em recipientes adequados no frigorífico, de forma a que não estejam em contacto com nem pinguem sobre outros alimentos.
  - Os compartimentos para alimentos congelados com duas estrelas são adequados para o armazenamento de alimentos pré-congelados, para o armazenamento ou fabrico de gelados e para fazer cubos de gelo. (Nota 2)
  - Os compartimentos de uma, duas e três estrelas não são adequados para o congelamento de alimentos frescos. (Nota 3)
  - Se o aparelho de refrigeração ficar vazio durante longos períodos de tempo, desligue, descongele, limpe, seque e deixe a porta aberta para prevenir o desenvolvimento de bolor no interior do aparelho.
  - Para aparelhos sem compartimento de 4 estrelas: este aparelho frigorífico não é adequado para congelar alimentos. (Nota 4)
  - Notas 1, 2, 3, 4: Confirme se é aplicável de acordo com o tipo de compartimento do seu produto.
22. Para um aparelho isolado: este aparelho frigorífico não se destina a ser utilizado como um aparelho incorporado.



23. A substituição e a manutenção das lâmpadas LED devem ser realizadas pelo fabricante, pelo agente de serviço ou por pessoal igualmente qualificado.
24.  A marcação deste dispositivo (símbolo de um caixote de lixo riscado) está em conformidade com a Diretiva Europeia 2012/19/UE relativa a "equipamentos elétricos e eletrónicos usados". Esta marcação significa que este equipamento, no final da sua vida útil, não pode ser eliminado juntamente com outros resíduos domésticos. O utilizador é obrigado a entregá-lo aos operadores que recolhem o equipamento elétrico e eletrónico usado. Os operadores de recolha, incluindo pontos de recolha locais, lojas e autoridades locais, criam um sistema apropriado para a recolha de equipamento. A recolha adequada de equipamento elétrico e eletrónico usado ajuda a evitar impactos nocivos na saúde humana e no ambiente, resultantes da presença de componentes perigosos, bem como do armazenamento e tratamento inadequados deste equipamento.

### 1.1. AVISOS RELATIVOS À ENERGIA

1. Os aparelhos de refrigeração podem não funcionar consistentemente (existe a possibilidade de descongelamento do conteúdo ou de a temperatura ficar demasiado elevada no compartimento para alimentos congelados) se permanecerem instalados abaixo da extremidade inferior do intervalo de temperaturas para as quais foram concebidos.
2. O facto de que as bebidas efervescentes não devem ser armazenadas em compartimentos ou armários de congelação de alimentos ou em compartimentos ou armários de baixa temperatura, e que alguns produtos como os gelados à base de água não devem ser consumidos demasiado frios.
3. Não exceda o(s) tempo(s) de armazenamento recomendado(s) pelos produtores de alimentos para qualquer tipo de alimento e, particularmente, para alimentos ultracongelados comercialmente em congeladores de alimentos e compartimentos ou aparelhos de armazenamento de alimentos congelados.
4. Tome as precauções necessárias para evitar um aumento indevido da temperatura dos alimentos congelados durante o descongelamento do aparelho de refrigeração, tal como embrulhar os alimentos congelados em várias camadas de papel de jornal.
5. O facto de que um aumento da temperatura dos alimentos congelados durante a descongelação manual, manutenção ou limpeza poderia encurtar o tempo de armazenamento.

## 2. ESPECIFICAÇÕES TÉCNICAS

Alimentação	220-240 V~, 50 Hz
Corrente nominal	0,5 A
Consumo energético	176 kWh/a
Classe de proteção	I
Classe climática	N/ST
Potência nominal da lâmpada	máx. 2 W
Volume total	204 L
Volume do compartimento de frescos	163 L
Volume do compartimento de quatro estrelas	41 L
Quantidade de refrigerante e injeção	R600a/44g
Dimensões (A x C x L)	1430 x 550 x 550 mm
Peso líquido	37 kg

PT

## 3. DESCRIÇÃO DO PRODUTO

- |               |                         |
|---------------|-------------------------|
| 1. Prateleira | 4. Prateleira           |
| 2. Termostato | 5. Gaveta para vegetais |
| 3. Prateleira | 6. Prateleira da porta  |

## 4. INSTALAÇÃO

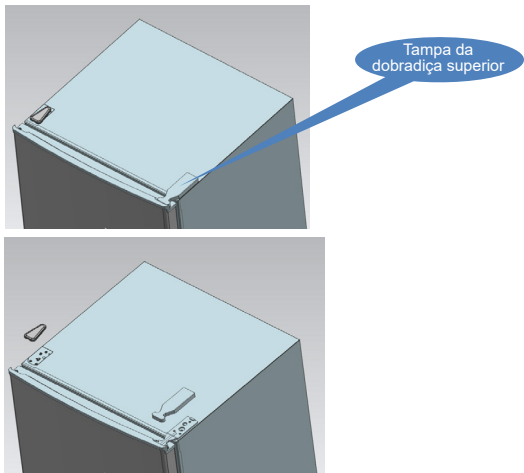
### 4.1. LOCALIZAÇÃO

- Ao selecionar uma posição para a sua unidade, certifique-se de que o chão é direito e firme, e que a sala está bem ventilada.
- Evite localizar a sua unidade perto de uma fonte de calor, por exemplo, fogão, caldeira ou radiador. Evite também a luz solar direta, pois pode aumentar o consumo elétrico.
- Temperaturas ambientes extremamente frias podem também fazer com que a unidade não funcione corretamente.
- Esta unidade não foi concebida para ser utilizada numa garagem ou numa instalação ao ar livre.
- Não decorar a unidade com qualquer cobertura.
- Ao instalar a unidade, certifique-se de que 10 cm de espaço livre são deixados em ambos os lados, 10 cm na parte traseira e 30 cm na parte superior da unidade. Isto permitirá que o ar frio circule à volta do refrigerador de vinho e melhorará a eficiência do processo de arrefecimento.

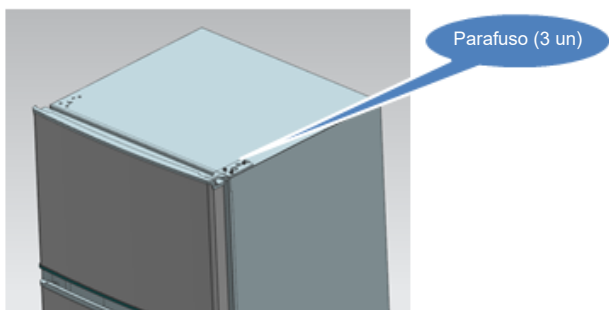
### 4.2. INVERTER A ABERTURA DA PORTA (OPCIONAL)

**Ferramentas necessárias:** Chave de fendas Phillips / Chave de fendas de lâmina plana / Chave de fendas hexagonal

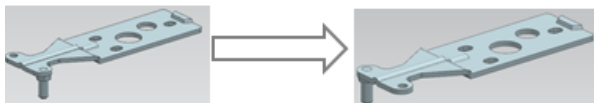
1. Retire a tampa da dobradiça superior.



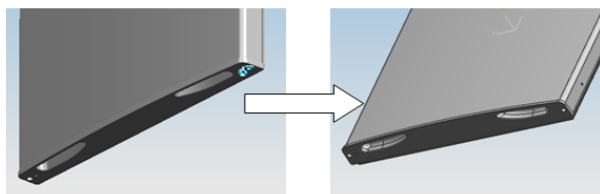
- 2. Retire os parafusos (fixação da dobradiça superior) com uma chave de fendas cruzadas.



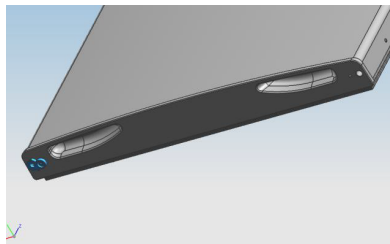
- 3. Volte a colocar a dobradiça superior, o bloco de limitação da porta superior e o casquilho de suporte da porta para o outro lado.
  - a. Retire a porca com a manga. Retire a anilha, depois desloque os eixos para o outro lado e fixe-os.



- b. Retire o bloco de limitação da porta.

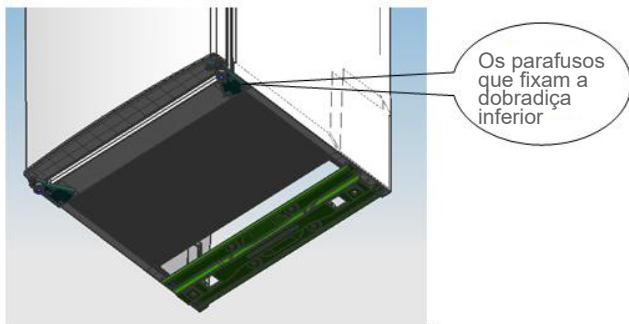


- c. Retire o outro bloco de limitação da porta (com fixação por parafuso à porta).



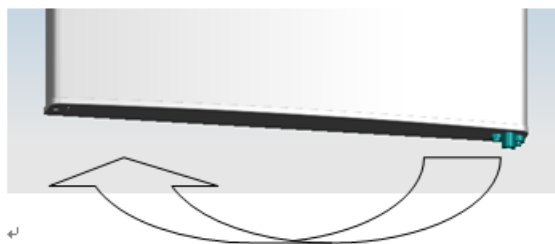
PT

4. Retire os parafusos (fixação da dobradiça inferior) com uma chave de fendas cruzadas.

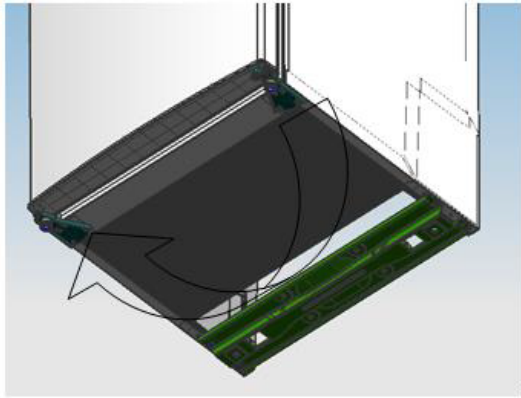


**Nota:** O ângulo máximo de inclinação do congelador-frigorífico é de 45°.

5. Volte a colocar o casquilho da porta inferior e o bloco de limitação.



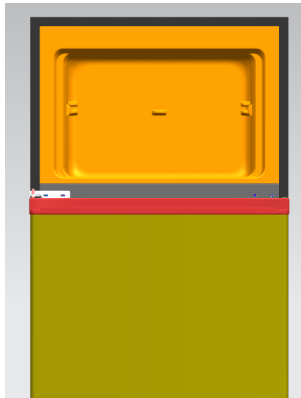
6. Coloque a dobradiça inferior do outro lado e depois fixe-a com parafusos.



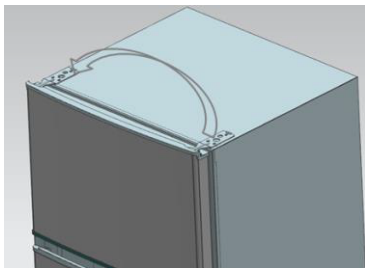
7. Volte a colocar a dobradiça do meio.



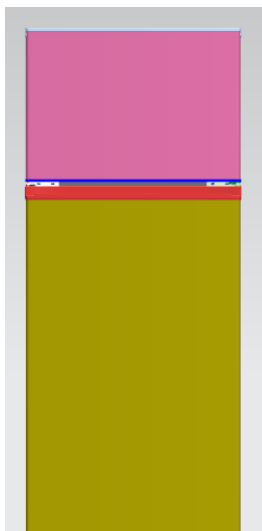
8. Encaixe a porta inferior na posição correta, e depois fixe a dobradiça do meio.



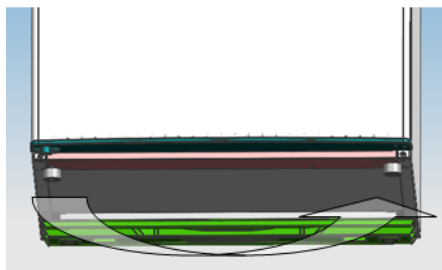
9. Volte a colocar a dobradiça superior.



10. Encaixe a porta superior na posição correta, e depois fixe a dobradiça superior e a tampa.



11. Instale as quatro tampas de parafuso e os dois fechos nas posições correspondentes.
- Certifique-se de que o aparelho se encontra desligado e vazio.
  - Regule os dois pés de nivelamento para a sua posição mais alta.
  - Recomendamos que tenha alguém disponível para ajudar.
12. Coloque o nivelador do outro lado e ajuste-o para ter a certeza de que o armário está nivelado.



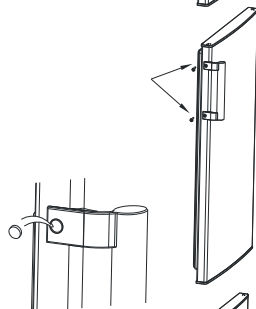
### 4.3. INSTALAR OS PUXADORES DAS PORTAS (OPCIONAL)

**Nota:** As figuras no manual do utilizador são apenas para referência. O produto real pode ser ligeiramente diferente. O frigorífico deve ser desligado da alimentação elétrica antes de tentar a instalação de acessórios.

Passo 1: retirar os dois pinos de encaixe da porta (no lado de abertura da porta)



Passo 2: instalar o puxador da porta e apertá-lo com parafusos.



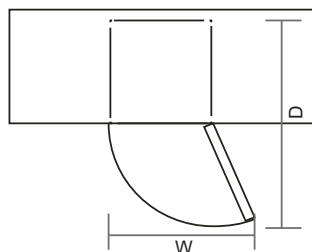
Passo 3: introduzir as tampas dos parafusos do puxador nos orifícios dos parafusos.



### 4.4. REQUISITOS DE ESPAÇO PARA A PORTA

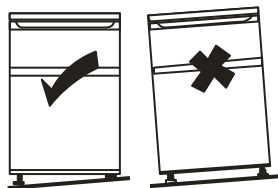
A porta da unidade deve ser capaz de abrir completamente, como mostrado.

(L × P ≥ 902 × 1052 mm)



#### 4.5. NIVELAR A UNIDADE

Para nivelar o aparelho, ajuste os dois pés de nivelamento na parte frontal da unidade. Se a unidade não estiver nivelada, as portas e os alinhamentos dos vedantes magnéticos não estarão protegidos adequadamente.



Certifique-se de que o pé toca no chão antes de utilizar. Olhe para baixo a partir do topo, ajuste o pé de nivelamento no sentido horário ou anti-horário para o apertar ou soltar.

PT

#### 4.6. LIMPEZA ANTES DA UTILIZAÇÃO

Limpe o interior da unidade com uma solução leve de bicarbonato de sódio. Depois, lave com água morna utilizando uma esponja ou um pano. Lave as prateleiras e o compartimento de verduras em água morna com sabão e seque-as completamente antes de as repor na unidade. Limpe o exterior da unidade com um pano húmido. Se precisar de mais informações, consulte a secção "MANUTENÇÃO E LIMPEZA".

#### 4.7. ANTES DE UTILIZAR A SUA UNIDADE

- Não danifique o cabo elétrico de qualquer forma de modo a garantir uma utilização segura, não o utilize quando o cabo elétrico estiver danificado ou a ficha estiver gasta.
- Não coloque itens inflamáveis, explosivos, voláteis e altamente corrosivos no frigorífico de modo a prevenir danos no produto ou incêndios.
- Não coloque itens inflamáveis perto do frigorífico para evitar fogos.
- Este produto é um frigorífico doméstico e é apenas adequado ao armazenamento de alimentos. De acordo com as normas nacionais, os frigoríficos domésticos não deverão ser utilizados para outras finalidades, tais como o armazenamento de sangue, fármacos ou produtos biológicos.
- Não coloque no congelador itens como recipientes de fluidos engarrafados ou selados, tais como garrafas de cerveja e bebidas, para evitar rebentamentos e outros prejuízos.
- Antes de colocar qualquer alimento na sua unidade, ligue-o e espere 24 horas, para ter a certeza de que está a funcionar corretamente e para lhe dar tempo para descer até à temperatura correta. A sua unidade não deve ser enchida em demasia.



- Antes de ligar a unidade à corrente Deve verificar se tem uma tomada de parede compatível com a ficha fornecida com a unidade.
- Antes de ligar Não ligue até duas horas depois de mover a unidade.

#### 4.8. ACESSÓRIOS INTERIORES

Estão incluídas várias prateleiras de vidro ou de plástico com o seu aparelho - modelos diferentes têm combinações diferentes.

Deve sempre deslizar uma das prateleiras de vidro de tamanho completo no conjunto mais baixo de guias, por cima dos recipientes para frutas e legumes, e mantê-la nesta posição. Para o fazer, puxe a prateleira de armazenamento para a frente até que possa ser movida para cima ou para baixo e removida.

Para inserir a prateleira a uma altura diferente, faça o mesmo em ordem inversa.





Para tirar o máximo partido do volume do compartimento de armazenamento de alimentos frescos e do compartimento de armazenamento de alimentos congelados, o utilizador pode retirar uma ou mais prateleiras e gavetas do aparelho, de acordo com a sua utilização diária.

## 5. UTILIZAÇÃO

### 5.1. LIGAR A SUA UNIDADE

- Rode o botão do termostato para regular a temperatura no interior do frigorífico.  
Regulação "Min": temperatura menos fria  
Regulação "Mid": funcionamento normal (adequado para a maioria das situações)  
Regulação "Max": temperatura mais fria  
Regulação "Off": quando o botão de controlo do termostato estiver definido para "Off", o frigorífico não estará a funcionar.
- Na primeira vez que instalar o seu frigorífico, coloque o botão de controlo do termostato em "Mid". Conceda tempo ao seu frigorífico para arrefecer completamente antes de adicionar alimentos. Será melhor aguardar 24 horas antes de adicionar alimentos.
- Durante temperaturas ambientes elevadas (por exemplo, em dias quentes de Verão), pode ser necessário regular o termostato para a regulação mais fria (posição "Max"). Isto pode fazer com que o compressor funcione continuamente, a fim de manter uma temperatura baixa no armário.

### 5.2. RUÍDO NO INTERIOR DA UNIDADE

Poderá reparar que a sua unidade emite alguns ruídos invulgares. A maioria destes são perfeitamente normais, mas deve estar ciente deles!

Estes ruídos são causados pela circulação do líquido refrigerante no sistema de refrigeração. Tornaram-se mais pronunciados desde a introdução dos gases livres de CFC. Isto não é um defeito e não irá afetar o desempenho da sua unidade. Ouvir um ruído indica que o motor do compressor está a funcionar, uma vez que bombeia o refrigerante em torno do sistema.

### 5.3. DICAS PARA O ARMAZENAMENTO DE ALIMENTOS

- As carnes/os peixes cozinhados devem ser sempre armazenados numa prateleira acima das carnes/dos peixes crus de forma a evitar a transferência de bactérias. Mantenha as carnes/os peixes crus num recipiente que seja grande o suficiente para conter os sucos e cobri-los devidamente. Coloque o contentor na prateleira mais baixa.
- Deixe espaço à volta dos alimentos para permitir a circulação de ar no interior da unidade. Assegure-se de que todas as partes do aparelho se mantêm frias.
- Para evitar a transferência de sabores ou que os alimentos sequem, embale ou cubra os alimentos separadamente. As frutas e os legumes não precisam de ser embrulhados.
- Deixe sempre arrefecer os alimentos pré-cozinhados antes de os colocar dentro do aparelho. Isto ajudará a manter a temperatura interna do aparelho.
- Para evitar que saia ar frio do aparelho, tente limitar o número de vezes que abre a porta. Recomendamos abrir a porta unicamente quando precisa de colocar ou tirar alimentos ou bebidas.

### 5.4. GUARDAR ALIMENTOS CONGELADOS

- Todos os alimentos congelados que comprar devem ser colocados no congelador o mais rapidamente possível para evitar que descongelem e se estraguem.
- Todas as recomendações de armazenamento impressas na embalagem dos alimentos congelados pelo fabricante devem ser sempre seguidas.
- Ao utilizar o congelador pela primeira vez ou após a descongelação, coloque o botão do termostato na posição máxima durante pelo menos 2 horas antes de introduzir os alimentos

a serem armazenados, e depois reajuste-o para a posição normal.

## 5.5. SUGESTÕES PARA POUPAR ENERGIA

- Instale o frigorífico ou congelador num local fresco, fora da luz solar direta e longe de fogões, aquecedores, máquinas de lavar louça ou quaisquer artigos que emitam ar quente.
- Não regule as temperaturas do congelador mais baixas do que o necessário. Ajuste a temperatura interna dentro do intervalo correto, por exemplo, ajuste o termostato na posição média de -18 °C no congelador, respetivamente.
- Deixar arrefecer os alimentos pré-cozinhados antes de os colocar no frigorífico ou congelador irá impedir que a temperatura interna do frigorífico suba.
- Mantenha o seu congelador cheio, mas não sobrelotado, Tente deixar cerca de 20% de espaço livre para a circulação de ar.
- Para evitar a fuga de ar frio, limite a frequência de abertura da porta. Ao voltar das compras, separe os alimentos a guardar no seu congelador antes de abrir a porta. Só abra a porta para colocar os alimentos ou para retirá-los.
- Certifique-se de que o selo da porta está limpo e em bom estado. Deverá manter um pedaço de papel firmemente no seu lugar quando estiver fechada.
- Descongele regularmente ou quando o gelo tiver mais de 5 mm de espessura. O gelo espesso que cobre os lados internos aumenta significativamente a utilização de energia.
- A combinação de gavetas, cestos e prateleiras apresentada na descrição do aparelho é a ideal para poupar energia com eficiência. Alterar a combinação proposta pode alterar a eficiência.

PT

Número	TIPO de compartimentos	Temperatura de armazenamento alvo [°C]	Alimentos adequados
1	Frigorífico	+2 ~ +8	Ovos, alimentos cozinhados, alimentos embalados, frutos e vegetais, produtos lácteos, bolos, bebidas e outros alimentos não são adequados para serem congelados.
2	(***)*- Congelador	≤-18	Peixe (peixe, camarão, marisco), produtos aquáticos de água doce e carnes (recomendado para 3 meses, quanto maior for o tempo de armazenamento, pior será o gosto e os valores nutritivos), adequado para alimentos frescos congelados.
3	***- Congelador	≤-18	Peixe (peixe, camarão, marisco), produtos aquáticos de água doce e carnes (recomendado para 3 meses, quanto maior for o tempo de armazenamento, pior será o gosto e os valores nutritivos), adequado para alimentos frescos congelados.
4	** - Congelador	≤-12	Peixe (peixe, camarão, marisco), produtos aquáticos de água doce e carnes (recomendado para 3 meses, quanto maior for o tempo de armazenamento, pior será o gosto e os valores nutritivos), adequado para alimentos frescos congelados.
5	* - Congelador	≤-6	Peixe (peixe, camarão, marisco), produtos aquáticos de água doce e carnes (recomendado para 3 meses, quanto maior for o tempo de armazenamento, pior será o gosto e os valores nutritivos), adequado para alimentos frescos congelados.
6	0 estrelas	-6 ~ 0	“Carne de porco fresca, carne de vaca, peixe, frango, alguns alimentos processados embalados, etc. (Recomendado para comer no mesmo dia, de preferência nunca mais de 3 dias).
7	Arrefecer	-2 ~ +3	Carne de porco fresca/congelada, carne de vaca, frango, produtos aquáticos de água doce, etc. (7 dias abaixo dos 0 °C e acima dos 0 °C é recomendado para consumo no mesmo dia, de preferência nunca mais de 2 dias). Peixe (menos de 0 durante 15 dias. Não é recomendado que seja armazenado acima dos 0 °C).

Nota: Por favor, guarde os diferentes alimentos de acordo com os compartimentos ou temperatura de armazenamento alvo dos produtos que adquiriu.

## 6. MANUTENÇÃO E LIMPEZA

### 6.1. DESCONGELAÇÃO

**Nota:** Esta unidade não tem um sistema de descongelamento automático.

Utilize uma pá de plástico para gelo quando limpar o gelo do evaporador. Não utilize objetos metálicos cortantes.

### 6.2. LIMPEZA DO INTERIOR E DO EXTERIOR DA UNIDADE

- O pó atrás do frigorífico e no chão deve ser limpo atempadamente para melhorar o efeito de arrefecimento e a poupança de energia.
- Verifique regularmente a junta da porta para garantir que não tem detritos. Limpe a junta da porta com um pano macio humedecido com água com sabão ou detergente diluído.
- O interior do frigorífico deve ser limpo regularmente para evitar odores.
- Desligue da corrente antes de limpar o interior, retirar todos os alimentos, bebidas, prateleiras, gavetas, etc.
- Utilize um pano macio ou uma esponja para limpar o interior do frigorífico, com duas colheres de sopa de bicarbonato de soda e um litro de água morna. Em seguida, enxague com água e limpe. Depois de limpar, abra a porta e deixe o frigorífico secar naturalmente antes de o ligar à corrente.
- Para as áreas difíceis de limpar no frigorífico (tais como sanduíches estreitas, fendas ou cantos), recomenda-se limpá-las regularmente com um pano macio, uma escova macia, etc. e, quando necessário, combinadas com algumas ferramentas auxiliares (tais como paus finos) para garantir a não acumulação de contaminantes ou bactérias nestas áreas.
- Não utilize sabão, detergente, pó para esfregar, detergente em spray, etc., pois estes podem causar odores no interior do frigorífico ou a contaminação dos alimentos.
- Limpe o suporte de garrafas, prateleiras e gavetas com um pano macio humedecido com água e sabão ou detergente diluído. Seque com um pano macio ou naturalmente.
- Limpe a superfície exterior do frigorífico com um pano macio humedecido com água com sabão, detergente, etc., e depois seque com um pano.
- Não utilize escovas rígidas, esfregões de aço, escovas de arame, produtos abrasivos (tais como pastas de dentes), solventes orgânicos (tais como álcool, acetona, óleo de banana, etc.), água a ferver, artigos ácidos ou alcalinos, que podem danificar a superfície e o interior do frigorífico. A água a ferver e os solventes orgânicos, tais como a benzina, podem deformar ou danificar as partes plásticas.
- Durante a limpeza, não lave diretamente com água ou outros líquidos para evitar um curto-circuito ou afetar o isolamento elétrico após a imersão.

### 6.3. SUGESTÕES DE LIMPEZA

Poderá aparecer condensação na superfície interior da unidade. Isto pode ser devido a uma mudança na temperatura ambiente. Elimine qualquer resíduo de humidade. Se o problema continuar, contacte um técnico qualificado para assistência.

### 6.4. MANUTENÇÃO

#### Mudar a luz interna

A substituição da lâmpada só deve ser feita por um técnico qualificado.

#### Cuidados no manuseamento/movimentação da sua unidade

Segure a unidade pelos seus lados ou pela base quando a mover. Em circunstância alguma deve ser levantada segurando as extremidades da superfície superior.

#### Manutenção

A manutenção da unidade deve ser realizada por um engenheiro autorizado e só devem ser utilizadas peças sobressalentes genuínas. Em nenhuma circunstância deverá tentar reparar a unidade por conta própria. As reparações realizadas por pessoas inexperientes podem causar ferimentos ou avarias graves. Contacte um técnico qualificado.

#### Desligar o frigorífico durante longos períodos de tempo

Quando a unidade não for utilizada durante um longo período de tempo, desligue-a da rede

eléctrica, esvazie todos os alimentos e limpe o aparelho, deixando a porta entreaberta para evitar cheiros desagradáveis.

## 7. RESOLUÇÃO DE PROBLEMAS

O utilizador pode tentar resolver os seguintes problemas simples. Se não puderem ser resolvidos, entre em contacto com o departamento de pós-vendas.

Problema	Solução recomendada
A operação falhou	<ul style="list-style-type: none"><li>• Verifique se o frigorífico está ligado à corrente;</li><li>• Tensão baixa;</li><li>• Verifique se existe uma falha de energia ou se os circuitos parciais dispararam.</li></ul>
Odor	<ul style="list-style-type: none"><li>• Os alimentos odoríferos devem ser devidamente acondicionados;</li><li>• Verifique se existem alimentos estragados;</li><li>• Verifique se o interior do frigorífico deve ser limpo.</li></ul>
Funcionamento prolongado do compressor	<ul style="list-style-type: none"><li>• É normal que o frigorífico funcione durante mais tempo no Verão, quando a temperatura ambiente é mais elevada;</li><li>• Não coloque demasiados alimentos no congelador de uma só vez;</li><li>• Não coloque alimentos até que estes tenham arrefecido;</li><li>• Abertura frequente da porta do frigorífico.</li></ul>
A luz não acende	<ul style="list-style-type: none"><li>• Verifique se o frigorífico está ligado à corrente eléctrica;</li><li>• Verifique se a luz de iluminação está danificada;</li><li>• Mandar substituir a luz por um especialista se esta estiver danificada.</li></ul>
A porta do frigorífico não pode ser devidamente fechada.	<ul style="list-style-type: none"><li>• A porta está encravada por embalagens de alimentos;</li><li>• Estão colocados demasiados alimentos;</li><li>• O frigorífico está inclinado.</li></ul>
Ruído alto	<ul style="list-style-type: none"><li>• Verifique se os alimentos estão devidamente colocados, e se o frigorífico está nivelado;</li><li>• Verifique se as peças do frigorífico estão devidamente fixadas.</li></ul>

Sugestões:

- O compartimento do frigorífico pode emitir calor durante o funcionamento especialmente no Verão, isto é causado pela radiação do condensador, e é um fenómeno normal.
- Condensação: o fenómeno de condensação será detetado na superfície exterior e nos selos das portas do congelador quando a humidade ambiente for elevada, este é um fenómeno normal, e a condensação pode ser eliminada com uma toalha seca.
- O zumbido será gerado pelo funcionamento do compressor, especialmente quando se liga ou desliga o aparelho.

Tabela 1 Classes climáticas

Classe	Símbolo	Intervalo de temperatura ambiente (°C)
Temperada alargada	SN	+ 10 a + 32
Temperado	N	+ 16 a + 32
Subtropical	ST	+ 16 a + 38
Tropical	T	+ 16 a + 43

Temperada alargada: este aparelho de refrigeração destina-se a ser utilizado a temperaturas ambiente entre 10 °C e 32 °C;

Temperada: este aparelho de refrigeração destina-se a ser utilizado a temperaturas ambiente entre 16 °C e 32 °C;

Subtropical: este aparelho de refrigeração destina-se a ser utilizado a temperaturas ambiente entre 16 °C e 38 °C;

Tropical: este aparelho de refrigeração destina-se a ser utilizado a temperaturas ambiente entre 16 °C e 43 °C.

As peças encomendadas na tabela a seguir podem ser adquiridas a partir de \_\_\_\_\_:

Peça encomendada	Fornecida por	Tempo mínimo necessário para o aprovisionamento
termóstatos	Pessoal de manutenção profissional	Pelo menos 7 anos após o lançamento do último modelo no mercado
sensores de temperatura	Pessoal de manutenção profissional	Pelo menos 7 anos após o lançamento do último modelo no mercado
placas de circuito impresso	Pessoal de manutenção profissional	Pelo menos 7 anos após o lançamento do último modelo no mercado
fontes de luz	Pessoal de manutenção profissional	Pelo menos 7 anos após o lançamento do último modelo no mercado
puxadores da porta	Reparadores profissionais e utilizadores finais	Pelo menos 7 anos após o lançamento do último modelo no mercado
dobradiças da porta	Reparadores profissionais e utilizadores finais	Pelo menos 7 anos após o lançamento do último modelo no mercado
tabuleiros	Reparadores profissionais e utilizadores finais	Pelo menos 7 anos após o lançamento do último modelo no mercado
cestos	Reparadores profissionais e utilizadores finais	Pelo menos 7 anos após o lançamento do último modelo no mercado
juntas da porta	Reparadores profissionais e utilizadores finais	Pelo menos 10 anos após o lançamento do último modelo no mercado

Caro(a) cliente,

- Se quiser devolver ou substituir o produto, contacte a loja onde o adquiriu.  
(Lembre-se de ter consigo a fatura da compra)
- Se o seu produto não funcionar corretamente e precisar de reparação, entre em contacto com o serviço de pós-vendas.

## Ficha técnica do produto relativa à (UE) 2019/2019

A ficha técnica deste produto pode ser encontrada online se pretender transferir uma cópia. Vá a <https://eprel.ec.europa.eu/> e introduza o identificador do modelo do seu aparelho para transferir a ficha técnica.

O identificador do modelo do seu aparelho pode ser encontrado na placa de classificação na parte de trás/no interior do aparelho.

## Posicione os alimentos nos diferentes compartimentos de acordo com a tabela apresentada abaixo:

PT

	Tipo de alimento
Porta e prateleiras da porta do frigorífico	<ul style="list-style-type: none"><li>Alimentos com conservantes naturais, como compotas, sumos, bebidas e condimentos. (Use no espaço de 1-2 dias)</li><li>Não guarde alimentos perecíveis.</li></ul>
Gaveta dos frescos (gaveta)	<ul style="list-style-type: none"><li>Frutos, ervas e vegetais deverão ser colocados separadamente na gaveta dos frescos. (Use no espaço de 1-2 dias)</li><li>As bananas, batatas, cebolas e alhos não deverão ser mantidos no frigorífico.</li></ul>
<ul style="list-style-type: none"><li>Prateleira do frigorífico - fundo</li><li>Caixa refrigeradora/gaveta</li></ul>	<ul style="list-style-type: none"><li>Carne crua, aves, peixe (durante curtos períodos de tempo)</li></ul>
Prateleira do frigorífico - intermédia	<ul style="list-style-type: none"><li>Produtos lácteos, ovos (Use dentro do espaço de tempo recomendado)</li></ul>
Prateleira do frigorífico - compartimento	<ul style="list-style-type: none"><li>Alimentos que não têm de ser cozinhados, como refeições preparadas e restos (Mantenha durante apenas 1 a 2 dias).</li></ul>
Gaveta do congelador/prateleira	<ul style="list-style-type: none"><li>Alimentos para um armazenamento prolongado.</li><li>Gaveta/prateleira inferior para carne crua, aves e peixe. (Tempo de armazenamento de 4 meses)</li><li>Gaveta/prateleira intermédia para vegetais congelados e batatas fritas congeladas. (Tempo de armazenamento de 6 meses)</li><li>Gaveta/prateleira superior para gelado, frutos congelados, bens cozidos congelados. (Tempo de armazenamento de 2 meses)</li></ul>

## 8. GARANTIAS

### Garantias e limites de responsabilidade

A garantia Qilive é uma garantia comercial oferecida pela SAS OIA, com morada em 200 rue de la Recherche 59650 Villeneuve d'Ascq, nos produtos da marca Qilive, e isto na sua qualidade de fabricante.

A garantia Qilive aplica-se sem prejuízo dos seus direitos de beneficiar, gratuitamente, da garantia legal de conformidade em vigor nos países de comercialização. Para mais informações sobre a garantia legal de conformidade, consulte as CGV (Condições Gerais de Venda) do seu distribuidor.

O que é coberto pela garantia Qilive?

Uma garantia Qilive cobre a reparação ou a substituição, com funcionalidades equivalentes, do seu aparelho Qilive, se este for considerado defeituoso devido a um defeito de material ou de fabrico durante o período de garantia. Os produtos reparados ou substituídos podem incluir componentes e equipamentos novos e/ou recondicionados.

Se o produto não for reparável ou substituível, a Qilive irá reembolsar o produto pelo preço de compra mencionado no comprovativo de compra.

O que não é coberto por uma garantia Qilive?

Os aparelhos Qilive são concebidos e construídos para oferecer continuamente elevados desempenhos num ambiente doméstico normal. Se um aparelho Qilive for utilizado de acordo com a utilização prevista e avariar durante o período de garantia, cabe a nós repará-lo ou substituí-lo.

Contudo, em determinadas circunstâncias, a garantia Qilive não cobre a reparação ou a substituição de um aparelho. Estas circunstâncias são claramente indicadas. Os casos não cobertos são os seguintes:

- Desgaste normal, incluindo estético (ex. riscos, mossas ou vandalismo) e peças passíveis de desgaste com o tempo (ex. fusível, correia, pneu, travão, filtros, etc.)
- Danos ou problemas provocados por uma utilização incorreta ou não conforme à etiqueta de identificação ou ao manual de utilização, por um acidente, por uma alteração.
- Danos provocados pelo desrespeito das recomendações de manutenção do aparelho.
- Utilização ou armazenamento prejudicial à boa conservação do aparelho (oxidação, corrosão), energia, utilização ou instalação não conforme às instruções do fabricante, ou negligência ou utilização de periféricos, softwares ou consumíveis inadequados.
- Utilização profissional, coletiva, industrial e comercial do produto, ou para outras finalidades para além do uso doméstico normal no país onde foi adquirido.
- Danos provocados por fontes externas, tais como o transporte, as intempéries, os cortes de energia ou as sobretensões.
- Produtos modificados, aqueles em que o selo de garantia ou o número de série foram danificados, alterados, eliminados ou oxidados.
- Danos provocados por qualquer intervenção efetuada por uma pessoa não autorizada.
- Atualizações do software, devido a uma alteração nos parâmetros de rede.
- Danos decorrentes de elementos exteriores ao aparelho (corpos estranhos, insetos, etc.)
- Conteúdo dos aparelhos - congelador, máquina de lavar - (alimentos, vestuário,...)
- Falhas no produto devido a utilização de programas de terceiros para modificar, alterar, adaptar ou modificar o já existente.
- Falhas no produto devido a utilização sem os acessórios fornecidos com o produto ou homologados pela Qilive.

O cliente deve ser pessoalmente responsável pelo backup regular dos dados contidos no seu disco rígido ou na memória interna do seu dispositivo, e isto antes de qualquer entrega.

A Qilive não pode ser responsabilizada pela perda ou destruição de dados armazenados, nem por danos no software resultantes, nomeadamente, de uma reparação ou avaria.

Da mesma forma, a Qilive não é obrigada a verificar se os cartões S M / SD foram devidamente retirados dos produtos devolvidos.

Quais são as modalidades da garantia?

As modalidades da garantia Qilive são as seguintes:

A garantia produzirá efeitos na data de compra (ou na data de entrega, se esta for posterior).

Deve fornecer um comprovativo de entrega/compra antes de qualquer intervenção no seu aparelho coberto pela garantia. Importa salientar que, sem esse comprovativo, qualquer trabalho efetuado será cobrado. Conserve o seu recibo de compra ou a sua nota de entrega.

Todas as intervenções serão efetuadas pela Qilive ou pelos seus agentes autorizados.

Qualquer peça substituída passa a ser propriedade da Qilive.

A garantia oferece vantagens que complementam os seus direitos legais enquanto consumidor e não tem nenhum impacto sobre os mesmos.

Como fazer invocar a sua garantia Qilive?

Para solicitar a reparação ou a substituição do seu produto com a garantia Qilive, em qualquer país que não França, leve o seu produto ao local de venda, juntamente com o comprovativo de compra (como o talão de caixa) do produto e os respetivos acessórios fornecidos, incluindo aqueles necessários ao seu correto funcionamento (alimentação, adaptador, etc.), com a sua embalagem original. Para assistência em França, convidamo-lo(a) a efetuar o seu pedido no nosso site: <https://auth.sav-login.auchan.fr>. É importante ter conhecimento da data de compra, do modelo e do número de série ou IMEI (estas informações são geralmente exibidas no produto, na embalagem ou no comprovativo de compra).

Quando é que a garantia entra em vigor?

A garantia Qilive entra em vigor na data de compra ou de entrega do seu aparelho, consoante a data que for posterior.

O seu produto é garantido pela Qilive 3 anos e mão de obra.

As garantias Qilive são transmissíveis?

As garantias Qilive são transmissíveis com o aparelho, na condição de que seja fornecido o comprovativo de compra original de um revendedor original, bem como o comprovativo de qualquer alteração de titularidade do aparelho que confirme as suas condições de funcionamento do aparelho aquando da alteração de titularidade.

# PRZEGLĄD TREŚCI:

1. INSTRUKCJE BEZPIECZEŃSTWA	S. 72
2. SPECYFIKACJA TECHNICZNA	S. 75
3. OPIS PRODUKTU	S. 75
4. INSTALACJA	S. 76
5. OBSŁUGA	S. 82
6. KONSERWACJA I CZYSZCZENIE	S. 83
7. ROZWIĄZYWANIE PROBLEMÓW	S. 85
8. GWARANCJE	S. 88

PL

## 1. INSTRUKCJE BEZPIECZEŃSTWA

Przed użyciem urządzenia należy dokładnie przeczytać niniejszą instrukcję obsługi i zachować ją w celu skorzystania w przyszłości.




Ostrzeżenie: Ryzyko wystąpienia pożaru / materiały łatwopalne!

1. To urządzenie jest przeznaczone do użytku w gospodarstwach domowych i do podobnych środowisk, takich jak kuchnie dla personelu w sklepach, biurach i innych miejscach pracy; gospodarstwach rolnych oraz przez klientów w hotelach, motelach i innych miejscach mieszkalnych; zakwaterowaniach typu bed and breakfast; lokalach gastronomicznych i innych miejscach niehandlowych.
2. Dzieci powinny pozostawać pod nadzorem, aby nie wykorzystywały urządzenia do zabawy.
3. Aby uniknąć zagrożenia w przypadku uszkodzenia przewodu zasilającego, musi zostać on wymieniony przez producenta, serwisanta lub osobę posiadającą podobne kwalifikacje.
4. W urządzeniu NIE WOLNO przechowywać substancji wybuchowych, takich jak pojemniki z aerozolem wypełnione łatwopalnym gazem pędnym.
5. Po użyciu i przed przeprowadzeniem przez użytkownika konserwacji urządzenia należy odłączyć je od gniazda.
6. OSTRZEŻENIE: Otwory wentylacyjne w obudowie urządzenia lub wbudowanej konstrukcji powinny pozostać wolne od przeszkód.
7. OSTRZEŻENIE: Nie należy korzystać z urządzeń mechanicznych lub innych środków do przyspieszenia procesu rozmrażania poza tymi zalecanymi przez producenta.
8. OSTRZEŻENIE: Nie dopuść do uszkodzenia obwodu czynnika chłodniczego.
9. OSTRZEŻENIE: Wewnątrz komór przechowywania urządzenia nie wolno korzystać z urządzeń elektrycznych, chyba że są one typu zatwierdzonego przez producenta.
10. Gaz chłodniczy R600a, znajdujący się w lodówce, jest gazem naturalnym. Nie jest on szkodliwy dla środowiska naturalnego, ale jest łatwopalny. Ważne jest zatem, by transport i instalacja lodówki były przeprowadzane ostrożnie w celu uniknięcia uszkodzenia przewodów czynnika chłodniczego. W przypadku wycieku gazu należy unikać kontaktu z pobliskimi płomieniami lub ogniem oraz przewietrzyć pomieszczenie.
11. Nigdy nie próbować samodzielnie naprawiać chłodziarki. Naprawy należy zlecać wyłącznie wykwalifikowanemu lub autoryzowanemu serwisantowi.



12. **OSTRZEŻENIE:** Chłodziarkę należy utylizować zgodnie z miejscowymi przepisami, gdyż wykorzystuje ona łatwopalny i wybuchowy gaz oraz płyn chłodniczy.
13. **OSTRZEŻENIE:** Podczas umieszczania urządzenia należy upewnić się, że kabel zasilania nie jest przytrzaśnięty lub uszkodzony.
14. **OSTRZEŻENIE:** Nie umieszczaj w tylnej części urządzenia wielu gniazd przedłużaczy ani przenośnych zasilaczy.
15. **NIE UŻYWAĆ** przedłużaczy ani nieuziemionych adapterów (z dwoma wtykami).
16. **NIEBEZPIECZEŃSTWO:** Ryzyko uwięzienia dziecka. Przed zutylizowaniem starej chłodziarki lub zamrażarki:
  - Zdemontuj drzwi.
  - Półki pozostaw na miejscu, aby dzieci nie mogły wejść do środka.
17. Przed przystąpieniem do montażu akcesoriów odłącz lodówkę od źródła zasilania elektrycznego.
18. Czynnik chłodniczy i pianka spieniana cyklopentanem zastosowane w chłodziarce są łatwopalne. W związku z tym, w czasie złomowania lodówki, powinna być przechowywana z dala od jakiegokolwiek źródła ognia i zutylizowana przez specjalne przedsiębiorstwo zajmujące się utylizacją urządzeń, posiadające odpowiednie kwalifikacje inne niż utylizowanie na drodze spalania, tak aby zapobiec powstawaniu zanieczyszczenia środowiska lub innych szkód.
19. W przypadku norm EN: Z niniejszego urządzenia mogą korzystać dzieci od lat 8 oraz osoby o ograniczonych zdolnościach fizycznych, sensorycznych i umysłowych lub nieposiadające doświadczenia i wiedzy, jeśli pozostają pod nadzorem lub zostały poinstruowane odnośnie do korzystania z urządzenia w bezpieczny sposób i rozumieją związane z tym zagrożenia. Dzieci nie powinny bawić się urządzeniem. Czyszczenie i konserwacja dokonywane przez dzieci nie powinny odbywać się bez nadzoru. Dzieci w wieku 3–8 lat mogą ładować i rozładowywać chłodziarki.
20. W przypadku drzwi lub pokryw wyposażonych w zamki i klucze, klucze należy przechowywać w miejscu niedostępnym dla dzieci, a nie w pobliżu chłodziarki, aby uniemożliwić uwięzienie dzieci wewnątrz.
21. Aby zapobiec skażeniu żywności, przestrzegaj poniższych zasad.
  - Pozostawianie otwartych drzwi przez długi czas może prowadzić do znacznego wzrostu temperatury w komorach urządzenia.
  - Regularnie czyść powierzchnie, które mają kontakt z żywnością i systemem odpływowym.
  - Wyczyść zbiorniki na wodę, jeżeli nie były używane przez 48 godzin: przepłucz system dostarczania wody podłączony do sieci wodociągowej, jeżeli woda nie była pobierana przez 5 dni. (Uwaga 1.)
  - Surowe mięso i ryby przechowuj w chłodziarce w odpowiednich pojemnikach, aby uniknąć kontaktu z innymi produktami lub wyciekania soków na inne produkty żywnościowe.
  - Komory na mrożonki oznaczone dwoma gwiazdkami są przystosowane do przechowywania wcześniej zamrożonej żywności, przechowywania lub robienia lodów i robienia lodu w kostkach. (Uwaga 2.)
  - Komory oznaczone jedną, dwiema i trzema gwiazdkami nie nadają się do zamrażania świeżej żywności. (Uwaga 3.)
  - Jeżeli pusta chłodziarka nie będzie używana przez długi czas, należy ją wyłączyć, rozmrozić, wyczyścić, wysuszyć i pozostawić z otwartymi drzwiami, aby zapobiec pojawianiu się pleśni wewnątrz urządzenia.
  - W przypadku urządzeń bez komory oznaczonej 4 gwiazdkami dane urządzenie chłodnicze nie jest odpowiednie do zamrażania żywności. (Uwaga 4)
  - Uwaga 1,2,3,4: Potwierdź, czy ma zastosowanie w zależności od typu komory urządzenia.
22. W przypadku urządzenia wolnostojącego dana chłodziarka nie jest przeznaczona do użytku jako urządzenie do zabudowy.

23. Każda wymiana lub konserwacja lampek LED powinna być przeprowadzana przez producenta, jego serwisanta lub osobę o podobnych kwalifikacjach.
24.  Oznaczenie urządzenia (symbol przekreślonego pojemnika na odpady) jest zgodny z Dyrektywą europejską 2012/19/UE dotyczącą „zużytego sprzętu elektrycznego i elektronicznego”. Takie oznakowanie oznacza, że po zakończeniu okresu użytkowania urządzenia nie można wyrzucić wraz z innymi odpadami gospodarstwa domowego. Użytkownik jest zobowiązany do dostarczenia urządzenia odpowiednim służbom, które zajmują się zbieraniem zużytego sprzętu elektrycznego i elektronicznego. Służby odpowiedzialne za zbiórkę takiego sprzętu, w tym lokalne punkty zbiórki, sklepy i organy lojalne tworzą odpowiedni system zbierania sprzętu. Odpowiednia zbiórka zużytego sprzętu elektrycznego i elektronicznego pomaga uniknąć szkodliwego wpływu na zdrowie ludzkie i środowisko, wynikającego z obecności niebezpiecznych składników, a także z niewłaściwego przechowywania i obróbki takiego sprzętu.

PL

### 1.1. OSTRZEŻENIA DOTYCZĄCE ENERGII

1. Chłodziarki mogą nie działać w poprawnie (możliwość rozmrożenia zawartości lub zbyt wysoka temperatura w komorze mrożonej żywności), gdy przez dłuższy czas znajdują się w miejscu, w którym panuje temperatura poniżej dolnej granicy zakresu temperatur, dla którego chłodziarka została zaprojektowana.
2. Pamiętaj, że napoje gazowane nie powinny być przechowywane w komorach ani szafach zamrażarki, ani w komorach lub szafach, w których panuje niska temperatura oraz że niektóre produkty, takie jak lody wodne, nie powinny być spożywane, jeżeli mają zbyt niską temperaturę.
3. Nie przekraczać czasu(-ów) przechowywania w zamrażarkach i komorach ani w szafkach do przechowywania mrożonek zalecanego(-ych) przez producentów żywności dla każdego rodzaju żywności, a w szczególności dla dostępnych w handlu produktów głęboko mrożonych.
4. Podejmować niezbędne środki ostrożności, aby zapobiegać nadmiernemu wzrostowi temperatury mrożonej żywności podczas rozmrażania chłodziarki, np. owinąć mrożoną żywność kilkoma warstwami gazety.
5. Z uwagi na wzrost temperatury mrożonek podczas ręcznego rozmrażania, konserwacji lub czyszczenia skrócić okres przechowywania może ulec skróceniu.

## 2. SPECYFIKACJA TECHNICZNA

Zasilanie	220–240 V~, 50 Hz
Natężenie znamionowe	0,5 A
Zużycie energii	176 kWh/a
Klasa ochrony	I
Klasa klimatyczna	N/ST
Moc znamionowa lampy	maks. 2 W
Całkowita objętość	204 L
Pojemność komory na świeżą żywność	163 L
Komora oznaczona czterema gwiazdkami	41 L
Czynnik chłodniczy i ilość wtryskowa	R600a/44g
Wymiary (wys. x dł. x szer.)	1430 × 550 × 550 mm
Masa netto	37 kg

PL

## 3. OPIS PRODUKTU

1. Półka
2. Termostat
3. Półka
4. Półka
5. Szuflada na warzywa i owoce
6. Półka drzwiowa

## 4. INSTALACJA

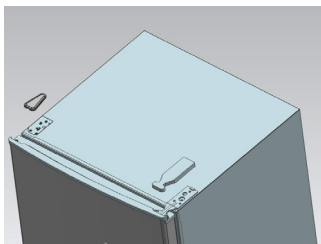
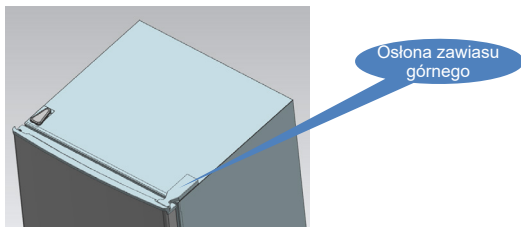
### 4.1. LOKALIZACJA

- Wybierając miejsce dla urządzenia, należy upewnić się, że podłoga jest płaska i twarda, a pomieszczenie ma odpowiednią wentylację.
- Należy unikać umieszczania urządzenia w pobliżu źródeł ciepła, np. kuchenki, kotła lub grzejnika. Należy również unikać bezpośredniego nasłonecznienia, ponieważ może ono zwiększyć zużycie energii elektrycznej.
- Skrajnie niskie temperatury otoczenia mogą również spowodować, że urządzenie nie będzie działać prawidłowo.
- Urządzenie nie jest przeznaczone do użytku w garażu ani w instalacji zewnętrznej.
- Nie należy przykrywać urządzenia żadną osłoną.
- Podczas instalacji urządzenia należy zapewnić 10 cm wolnej przestrzeni po obu stronach, 10 cm z tyłu i 30 cm nad urządzeniem. Pozwoli to na cyrkulację zimnego powietrza wokół chłodziarki do wina i poprawi efektywność procesu chłodzenia.

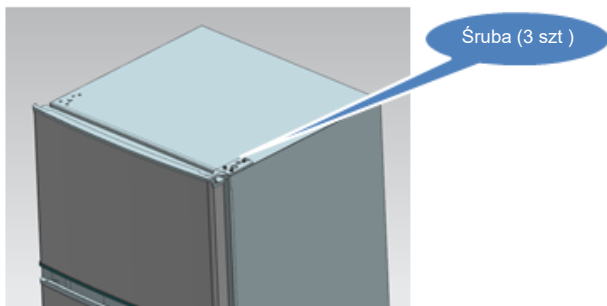
### 4.2. ODWRÓCENIE KIERUNKU OTWIERANIA DRZWI (OPCJA)

**Niezbędne narzędzia:** Wkrętak krzyżakowy / wkrętak płaski / klucz sześciokątny

1. Zdjąć osłonę górnego zawiasu.



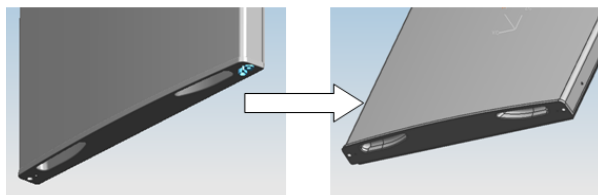
2. Wykręcić śruby (mocujące górny zawias) za pomocą wkrętaka krzyżakowego.



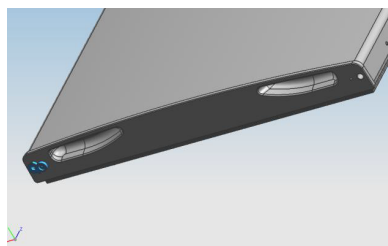
3. Przełożyć górny zawias, blokadę górnych drzwi i tuleję łożyska drzwi na drugą stronę.
  - a. Wykręcić nakrętkę z tuleją. Zdjąć podkładkę, następnie przełożyć osie na drugą stronę i zamocować je.



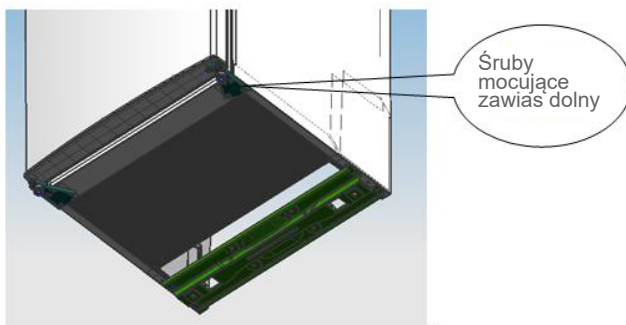
- b. Wymontować blokadę ogranicznika drzwi.



- c. Wyjąć drugi blok ogranicznika drzwi (z mocowaniem śrubowym do drzwi).

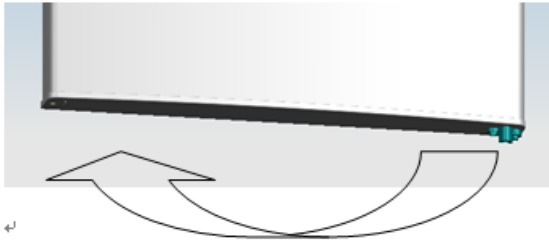


4. Wykręcić śruby (mocujące dolny zawias) za pomocą wrętaka krzyżakowego.

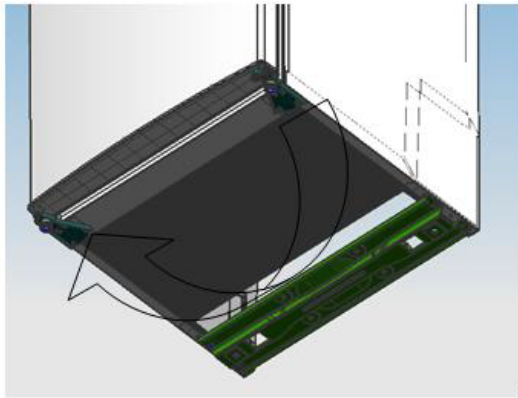


**Uwaga:** Maksymalny kąt nachylenia chłodziarko-zamrażarki wynosi 45°.

5. Przełożyć tuleję łożyska drzwi dolnych i blok ograniczający.



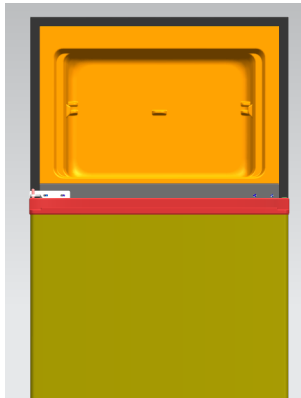
6. Przełożyć dolny zawias na drugą stronę, a następnie przymocować go za pomocą śrub.



7. Przełożyć środkowy zawias.

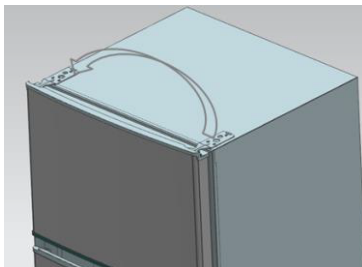


8. Zamocować dolne drzwi we właściwej pozycji, a następnie zamocować środkowy zawias.

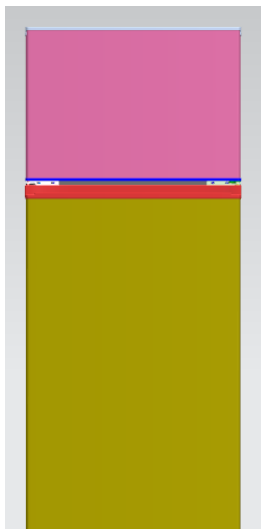


PL

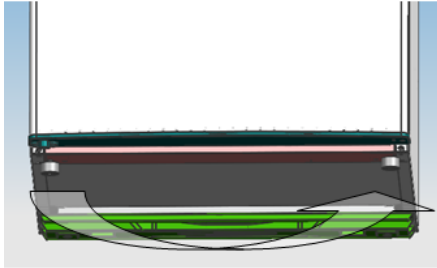
9. Przełożyć górny zawias.



10. Przymocować górne drzwi we właściwej pozycji, następnie założyć górny zawias i osłonę.



11. Zamontować cztery zaślepki i dwa zaczepy w odpowiednich miejscach.
  - Upewnić się, że urządzenie jest odłączone od zasilania i puste.
  - Ustawić dwie nóżki poziomujące w najwyższym położeniu.
  - Zalecamy mieć kogoś do pomocy.
12. Przełożyć poziomnicę na drugą stronę i wyregulować ją, aby upewnić się, że szafka jest wypoziomowana.



PL

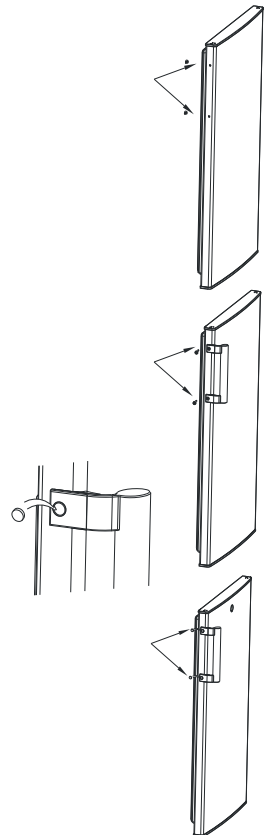
### 4.3. MONTAŻ UCHWYTÓW DRZWIOWYCH (OPCJA)

**Uwaga:** Rysunki w instrukcji obsługi mają charakter wyłącznie poglądowy. Rzeczywisty produkt może się nieco różnić. Przed przystąpieniem do montażu akcesoriów należy odłączyć chłodziarkę od zasilania elektrycznego.

Krok 1: Wyjąć dwa bolce wtykowe z drzwi (po stronie otwierania drzwi).

Krok 2: Zamontować uchwyt na drzwiach i przymocować go za pomocą śrub.

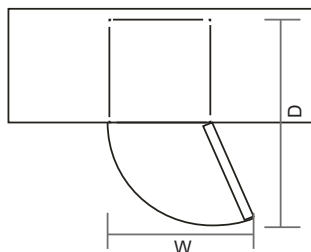
Krok 3: Wcisnąć zaślepki uchwytu w otwory na śruby.





#### 4.4. WYMAGANIA DOTYCZĄCE MIEJSCA NA DRZWI

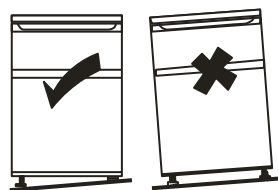
Drzwi urządzenia muszą mieć możliwość pełnego otwarcia, jak pokazano na rysunku.  
(Szer. × Gł. ≥ 902 × 1052 mm)



#### 4.5. POZIOMOWANIE URZĄDZENIA

Aby wypoziomować urządzenie, należy wyregulować dwie nóżki poziomujące znajdujące się z przodu urządzenia. Jeśli urządzenie nie zostanie wypoziomowane, drzwi i magnetyczne dopasowanie uszczelnień nie będzie odpowiednio wyrównane.

Przed użyciem upewnić się, że stopka dotyka podłoża. Patrząc od góry, wyregulować stopkę poziomującą zgodnie z ruchem wskazówek zegara lub przeciwnie do ruchu wskazówek zegara, aby ją dokręcić lub poluzować.



#### 4.6. CZYSZCZENIE PRZED UŻYCIEM

Przetrzeć wnętrze urządzenia słabym roztworem sody oczyszczonej. Następnie spłukać ciepłą wodą przy użyciu wyżętej gąbki lub ściereczki. Umyć półki i pojemnik na sałatkę w ciepłej wodzie z mydłem i całkowicie wysuszyć przed ponownym umieszczeniem w urządzeniu. Wyczyścić zewnętrzną część urządzenia wilgotną szmatką.

Aby zaczerpnąć więcej informacji, należy skorzystać z rozdziału „KONSERWACJA I CZYSZCZENIE”.

#### 4.7. PRZED UŻYCIEM URZĄDZENIA

- Nie uszkadzać przewodu zasilającego pod żadnym pozorem, aby zapewnić bezpieczeństwo użytkownika, nie używać, gdy przewód zasilający jest uszkodzony lub wtyczka jest zużyta.
- Do lodówki nie należy wkładać łatwopalnych, wybuchowych, lotnych ani wysoce żrących przedmiotów w celu uniknięcia uszkodzenia produktu lub zagrożenia pożarem.
- W pobliżu lodówki nie należy umieszczać przedmiotów łatwopalnych, aby uniknąć pożaru.
- Niniejszy produkt to chłodziarka domowa, która jest przeznaczona wyłącznie do przechowywania żywności. Zgodnie ze standardami krajowymi chłodziarki domowe nie powinny być wykorzystywane do innych celów, jak przechowywanie krwi, leków czy produktów biologicznych.
- W zamrażalniku nie należy umieszczać płynów w butelkach lub szczelnie zamkniętych pojemnikach, jak butelki z piwem i innymi napojami, by uniknąć pęknięcia lub innych strat.
- Przed umieszczeniem jakiegokolwiek żywności w urządzeniu włączyć je i odczekać 24 godziny, aby upewnić się, że działa ono prawidłowo i dać mu czas na odpowiednie obniżenie temperatury. Urządzenie nie powinno być przepelnione.



- Przed podłączeniem  
Należy upewnić się, czy dostępne jest gniazdko ścienne, które jest kompatybilne z wtyczką dostarczoną z urządzeniem.
- Przed włączeniem  
Nie włączać przed upływem dwóch godzin od przeniesienia urządzenia.

#### 4.8. AKCESORIA WEWNĘTRZNE

W zestawie z urządzeniem znajduje się kilka szklanych lub plastikowych półek do przechowywania – różne modele mają różne kombinacje.

Należy zawsze wsuwać jedną z pełnowymiarowych szklanych półek do najniższych przewodnic nad pojemnikami na owoce i warzywa i utrzymać ją w tej pozycji. W tym celu należy pociągnąć półkę do przodu, aż będzie można ją przesunąć w górę lub w dół i wyjąć.

Aby włożyć półkę na innej wysokości, wykonać te same czynności w odwrotnej kolejności.



Aby maksymalnie wykorzystać objętość komory do przechowywania świeżej żywności i komory do przechowywania mrożonek, użytkownik może wyjąć z urządzenia jedną lub więcej półek, szuflad, w zależności od codziennego użytkowania.

## 5. OBSŁUGA

### 5.1. WŁĄCZANIE URZĄDZENIA

- Obrócić pokrętko termostatu, aby regulować temperaturę wewnątrz chłodziarki.  
Ustawienie „Min”: Mniej chłodna temperatura  
Ustawienie „Mid”: Praca normalna (odpowiednia dla większości sytuacji)  
Ustawienie „Max”: Najniższa temperatura  
Ustawienie „Off”: Gdy pokrętko termostatu jest ustawione na „Off”, chłodziarka nie będzie działać.
- Po pierwszej instalacji chłodziarki należy ustawić pokrętko termostatu na „Mid”. Przed dodaniem żywności należy dać chłodziarce czas na całkowite schłodzenie. Najlepiej jest odczekać 24 godziny przed włożeniem żywności.
- Podczas występowania wysokich temperatur otoczenia (np. w gorące letnie dni) może być konieczne wyregulowanie termostatu na najchłodniejsze ustawienie (pozycja „Max”). Może to spowodować ciągłą pracę sprężarki w celu utrzymania niskiej temperatury w szafce.

### 5.2. HAŁAS WEWNĄTRZ URZĄDZENIA

Użytkownik może zwrócić uwagę, że urządzenie wydaje jakies nietypowe odgłosy. Większość z nich jest zupełnie normalna, ale należy wiedzieć o ich występowaniu!

Są one spowodowane przepływem płynu chłodniczego w systemie chłodzącym. Odgłosy stały się bardziej wyraźne od czasu wprowadzenia gazów bezfreonowych. Nie jest to wada i nie wpływa na wydajność urządzenia. Jeżeli rozlegają się dźwięki, oznacza to, że silnik sprężarki pracuje, ponieważ pompuje czynnik chłodniczy w systemie.

### 5.3. WSKAZÓWKI DOTYCZĄCE PRZECHOWYWANIA ŻYWNÓŚCI

- Ugotowane mięso/ryby należy zawsze przechowywać na półce ponad surowym mięsem/rybami, by uniknąć transferu bakterii. Surowe mięso/ryby należy przechowywać z pojemniku, który jest wystarczająco duży do zbierających się soków oraz prawidłowego zamknięcia. Umieść pojemnik na najniższej półce.
- Pozostaw między żywnością wolne miejsce, by powietrze mogło swobodnie przepływać wewnątrz urządzenia. Upewnij się, że wszystkie elementy chłodziarki pozostają chłodne.
- Aby uniknąć przenikania smaków oraz wyschnięcia, oddzielnie pakuj lub przykrywaj żywność. Warzywa i owoce nie wymagają pakowania.
- Upewnij się, że wstępnie ugotowana żywność ostygnie przed umieszczeniem jej w chłodziarce. Pomoże to utrzymać wewnętrzną temperaturę urządzenia.
- Aby zapobiec ucieczce zimnego powietrza z urządzenia, spróbuj ograniczyć otwieranie drzwi. Zalecamy, aby drzwi były otwierane wyłącznie wtedy, gdy do chłodziarki trzeba umieścić lub wyjąć z niej żywność.

### 5.4. PRZECHOWYWANIE MROŻONEJ ŻYWNÓŚCI

- Wszystkie zakupione mrożonki należy jak najszybciej umieścić w zamrażarce, aby uniknąć ich rozmrożenia i zepsucia.
- Należy zawsze przestrzegać wszystkich zaleceń dotyczących przechowywania wydrukowanych przez producenta na opakowaniu mrożonki.
- Podczas korzystania z zamrażarki po raz pierwszy lub po rozmrożeniu należy ustawić pokrętko termostatu w pozycji maksymalnej na co najmniej 2 godziny przed włożeniem żywności do przechowywania, a

następnie ponownie ustawić je w pozycji normalnej.

## 5.5. WSKAZÓWKI DOTYCZĄCE OSZCZĘDZANIA ENERGII

- Ustawić chłodziarkę lub zamrażarkę w chłodnym miejscu z dala od bezpośredniego światła słonecznego i z dala od kuchenek, grzejników, zmywarek lub jakichkolwiek przedmiotów emitujących gorące powietrze.
- Nie należy ustawiać temperatur zamrażarki niższych niż to konieczne. Ustawić temperaturę wewnętrzną w odpowiednim zakresie np. ustawić termostat na pozycji środkowej -18°C w zamrażarce.
- Poczekać, aż wstępnie ugotowane potrawy ostygną przed włożeniem ich do chłodziarki lub zamrażarki, aby zapobiec wzrostowi temperatury wewnątrz urządzenia.
- Zamrażarkę utrzymywać pełną, ale nie przepelnioną. Pozostawić około 20% wolnej przestrzeni na cyrkulację powietrza.
- Aby zapobiec wydostawaniu się zimnego powietrza, należy ograniczyć częstość otwierania drzwi. Po powrocie z zakupów, przed otwarciem drzwi należy posortować produkty, które mają być przechowywane w zamrażarce. Otwierać drzwi tylko po to, aby włożyć jedzenie lub je wyjąć.
- Upewnić się, że uszczelka drzwi jest czysta i w dobrym stanie. Po zamknięciu powinna szczelnie przytrzymywać kartkę papieru.
- Rozmrażać regularnie lub gdy grubość lodu przekracza 5 mm. Gruby lód pokrywający wewnętrzne powierzchnie znacznie zwiększa zużycie energii.
- Szufłady, kosze i pó ki przedstawione w opisie urządzenia stanowią optymalne rozwiązanie dla efektywnej oszczędności energii. Zmiana wyposażenia może wpłynąć na wydajność.

PL

Nr	RODZAJ komory	Docelowa temperatura przechowywania [°C]	Odpowiednie produkty spożywcze
1	Lodówka	+2 ~ +8	Jajka, żywność gotowana, żywność pakowana, owoce i warzywa, nabiał, ciasta, napoje i inne produkty spożywcze nie nadają się do zamrażania.
2	(***)*-Zamrażarka	≤-18	Owoce morza (ryby, krewetki, skorupiaki), żywność pochodząca ze zbiorników słodkowodnych i produkty mięsne (zalecany czas przechowywania: 3 miesiące, im dłuższy czas przechowywania, tym gorszy smak i wartości odżywcze), nadaje się do mrożonej świeżej żywności.
3	***-Zamrażarka	≤-18	Owoce morza (ryby, krewetki, skorupiaki), żywność pochodząca ze zbiorników słodkowodnych i produkty mięsne (zalecany czas przechowywania: 3 miesiące, im dłuższy czas przechowywania, tym gorszy smak i wartości odżywcze), nadaje się do mrożonej świeżej żywności.
4	**Zamrażarka	≤-12	Owoce morza (ryby, krewetki, skorupiaki), żywność pochodząca ze zbiorników słodkowodnych i produkty mięsne (zalecany czas przechowywania: 3 miesiące, im dłuższy czas przechowywania, tym gorszy smak i wartości odżywcze), nadaje się do mrożonej świeżej żywności.
5	*-Zamrażarka	≤-6	Owoce morza (ryby, krewetki, skorupiaki), żywność pochodząca ze zbiorników słodkowodnych i produkty mięsne (zalecany czas przechowywania: 3 miesiące, im dłuższy czas przechowywania, tym gorszy smak i wartości odżywcze), nadaje się do mrożonej świeżej żywności.
6	0-gwiazdek	-6 ~ 0	Świeża wieprzowina, wołowina, ryby, kurczak, niektóre rodzaje pakowanej żywności przetworzonej itp. (Zaleca się spożycie tego samego dnia, najlepiej nie później niż w ciągu 3 dni).
7	Chłód	-2 ~ +3	Świeża/mrożona wieprzowina, wołowina, kurczak, żywność pochodząca ze zbiorników słodkowodnych itp. (7 dni poniżej 0°C, temperaturę powyżej 0°C zaleca się w przypadku spożycia tego samego dnia, najlepiej nie dłużej niż w ciągu 2 dni). Owoce morza (15 dni poniżej 0°C, nie zaleca się przechowywania w temperaturze powyżej 0°C).

Uwaga: Różne produkty spożywcze należy przechowywać zgodnie z przeznaczeniem komór lub według docelowej temperatury przechowywania zakupionych produktów.

## 6. KONSERWACJA I CZYSZCZENIE

### 6.1. ROZMRAŻANIE

**Uwaga:** To urządzenie nie jest wyposażone w system automatycznego odszraniania. Należy używać plastikowej łopatkę do lodu podczas oczyszczania parownika ze szronu. Nie należy używać ostrych przedmiotów metalowych.

## 6.2. CZYSZCZENIE URZĄDZENIA WEWNĄTRZ I NA ZEWNĄTRZ

- Kurz za chłodziarką i na podłodze powinien być regularnie usuwany w celu poprawy efektu chłodzenia i oszczędności energii.
- Regularnie sprawdzaj uszczelkę drzwi, aby upewnić się, że nie ma na niej żadnych zanieczyszczeń. Wyczyść uszczelkę drzwi miękką szmatką zwilżoną wodą z mydłem lub rozcieńczonym detergentem.
- Wnętrze chłodziarki powinno być regularnie czyszczone, aby uniknąć powstawania nieprzyjemnego zapachu.
- Wyłącz zasilanie przed przeprowadzeniem czyszczenia wnętrza chłodziarki i usuń wszystkie produkty spożywcze, napoje, pólki, szuflady itp.
- Użyj miękkiej szmatki lub gąbki do czyszczenia wnętrza chłodziarki z dodatkiem dwóch łyżek sody oczyszczonej i ćwierci litra ciepłej wody. Następnie spłucz wodą i wytrzyj do sucha. Po oczyszczeniu otwórz drzwi i pozostaw je do wyschnięcia przed włączeniem zasilania.
- W przypadku miejsc, które są trudne do czyszczenia w chłodziarce (takich jak wąskie warstwy, szczeliny lub narożniki), zaleca się regularne wycieranie ich miękką szmatką, miękką szczotką itp. i w razie potrzeby w połączeniu z narzędziami pomocniczymi (takimi jak cienkie patyczki), aby zapewnić brak gromadzenia się zanieczyszczeń i bakterii w tych miejscach.
- Nie należy używać mydła, detergentu, proszku do szorowania, środka czyszczącego w sprayu itp. ponieważ mogą one powodować powstawanie nieprzyjemnych zapachów we wnętrzu chłodziarki lub zanieczyszczyć żywność.
- Wyczyść ramę komory na butelki, pólki i szuflady miękką szmatką zwilżoną wodą z mydłem lub rozcieńczonym detergentem. Wysusz miękką szmatką lub pozostaw do wyschnięcia.
- Przetrzyj zewnętrzną powierzchnię chłodziarki miękką szmatką zwilżoną wodą z mydłem, detergentem itp. a następnie wytrzeć do sucha.
- Nie należy używać twardych szczotek, druciaków metalowych, szczotek drucianych, materiałów ściernych (takich jak pasty do zębów), rozpuszczalników organicznych (takich jak alkohol, aceton, olej bananowy itp.), wrzącej wody, kwasów ani zasad, które mogą uszkodzić powierzchnię i wnętrze chłodziarki. Wrząca woda i rozpuszczalniki organiczne, takie jak benzen, mogą odkształcać lub uszkodzić części wykonane z tworzywa sztucznego.
- Podczas czyszczenia nie splukiwać bezpośrednio wodą lub innymi płynami, aby uniknąć powstania zwarcia i kontaktu wody z izolacją elektryczną.

## 6.3. WSKAZÓWKI DOTYCZĄCE CZYSZCZENIA

Na wewnętrznej powierzchni urządzenia może pojawić się kondensacja. Może to być spowodowane zmianą temperatury w pomieszczeniu. Wytrzeć wszelkie pozostałości po wilgoci. Jeśli problem nadal występuje, należy skontaktować się z wykwalifikowanym technikiem w celu uzyskania pomocy.

## 6.4. KONSERWACJA

### Wymiana oświetlenia wewnętrznego

Wymiana lampy powinna być dokonywana wyłącznie przez wykwalifikowanego technika.

### Ostrożność przy przenoszeniu/przemieszczaniu urządzenia

Podczas przenoszenia urządzenia należy trzymać je za boki lub podstawę. W żadnym wypadku nie należy go podnosić, trzymając za krawędzie górnej powierzchni.

### Serwisowanie

Urządzenie powinno być serwisowane przez autoryzowanego technika i należy stosować wyłącznie oryginalne części zamienne. W żadnym wypadku nie należy podejmować prób samodzielnej naprawy urządzenia. Naprawy wykonywane przez osoby niedoświadczone mogą spowodować obrażenia ciała lub poważne usterki. Zwrócić się do wykwalifikowanego technika.

### Wyłączanie na długi czas

Gdy urządzenie nie jest używane przez dłuższy czas, należy odłączyć je od sieci elektrycznej, usunąć z niego wszystkie produkty spożywcze i wyczyścić urządzenie, pozostawiając uchylone drzwi, aby zapobiec nieprzyjemnym zapachom.

## 7. ROZWIĄZYWANIE PROBLEMÓW

Następujące proste problemy można spróbować rozwiązać samodzielnie. Jeśli problemów nie można rozwiązać, skontaktuj się z działem obsługi posprzedażnej.

Problem	Zalecane rozwiązanie
Nieudane działanie	<ul style="list-style-type: none"> <li>• Sprawdzić, czy chłodziarka jest podłączona do zasilania.</li> <li>• Niskie napięcie;</li> <li>• Sprawdzić, czy nie wystąpiła awaria zasilania lub czy części obwodów nie wyłączyły się.</li> </ul>
Brzydki zapach.	<ul style="list-style-type: none"> <li>• Żywność wydzielająca zapach powinna być bezpiecznie zapakowana;</li> <li>• Sprawdzić, czy żywność się nie zepsuła.</li> <li>• Sprawdzić, czy należy oczyścić wnętrze chłodziarki.</li> </ul>
Długotrwała praca sprężarki.	<ul style="list-style-type: none"> <li>• To normalne, że chłodziarka pracuje dłużej w lecie, gdy temperatura otoczenia jest wyższa;</li> <li>• Nie należy wkładać do zamrażarki zbyt dużej ilości żywności za jednym razem;</li> <li>• Nie wkładać żywności, dopóki nie ostygnie.</li> <li>• Częste otwieranie drzwi chłodziarki.</li> </ul>
Światło nie zapala się.	<ul style="list-style-type: none"> <li>• Sprawdzić, czy chłodziarka jest podłączona do zasilania;</li> <li>• Sprawdzić, czy lampka jest uszkodzona.</li> <li>• W przypadku uszkodzenia lampki należy zlecić jej wymianę specjalistom.</li> </ul>
Nie można prawidłowo zamknąć drzwi chłodziarki.	<ul style="list-style-type: none"> <li>• Drzwi są zablokowane przez opakowania żywności;</li> <li>• Włożono za dużo żywności;</li> <li>• chłodziarka jest przechylona.</li> </ul>
Głośny hałas.	<ul style="list-style-type: none"> <li>• Sprawdzić, czy żywność jest prawidłowo ułożona i czy chłodziarka jest wypoziomowana;</li> <li>• Sprawdzić, czy elementy chłodziarki są prawidłowo zamocowane.</li> </ul>

PL

Porady:

- Obudowa chłodziarki może emitować ciepło podczas pracy, szczególnie latem, jest to spowodowane promieniowaniem skraplacza i jest to normalne zjawisko.
- Kondensacja: zjawisko kondensacji pojawia się na zewnętrznej powierzchni i uszczelkach drzwi zamrażarki, gdy wilgotność otoczenia jest wysoka, jest to normalne zjawisko i można ją wytrzeć suchym ręcznikiem.
- Pracująca sprężarka emituje dźwięki, zwłaszcza podczas uruchamiania i wyłączenia.

Tabela 1. Klasy klimatu

Klasa	Symbol	Zakres temperatury otoczenia (°C)
rozszerzona umiarkowana	SN	+10 do +32
umiarkowana	N	+16 do +32
subtropikalna	ST	+16 do +38
tropikalna	T	+16 do +43

Rozszerzony umiarkowany: to urządzenie chłodnicze jest przeznaczone do stosowania w temperaturach otoczenia w zakresie od 10°C do 32°C;

Umiarkowany: to urządzenie chłodnicze jest przeznaczone do stosowania w temperaturach otoczenia w zakresie od 16°C do 32°C; (N)

Subtropikalny: to urządzenie chłodnicze jest przeznaczone do stosowania w

temperaturach otoczenia w zakresie od 16°C do 38°C; (ST)  
 Tropikalny: to urządzenie chłodnicze jest przeznaczone do stosowania w temperaturach otoczenia w zakresie od 16°C do 43°C; (T)

Zamówione części w poniższej tabeli można nabyć poprzez kanał \_\_\_\_\_:

Zamówiona część	Dostarczone przez	Minimalny czas wymagany do realizacji zamówienia
termostaty	Profesjonalny personel serwisowy	Co najmniej 7 lat po wprowadzeniu ostatniego modelu na rynek
czujniki temperatury	Profesjonalny personel serwisowy	Co najmniej 7 lat po wprowadzeniu ostatniego modelu na rynek
płytki obwodów drukowanych	Profesjonalny personel serwisowy	Co najmniej 7 lat po wprowadzeniu ostatniego modelu na rynek
źródła światła	Profesjonalny personel serwisowy	Co najmniej 7 lat po wprowadzeniu ostatniego modelu na rynek
uchwyty drzwiczek	Profesjonalni technicy i użytkownicy końcowi	Co najmniej 7 lat po wprowadzeniu ostatniego modelu na rynek
zawiasy drzwi	Profesjonalni technicy i użytkownicy końcowi	Co najmniej 7 lat po wprowadzeniu ostatniego modelu na rynek
tacki	Profesjonalni technicy i użytkownicy końcowi	Co najmniej 7 lat po wprowadzeniu ostatniego modelu na rynek
kosze	Profesjonalni technicy i użytkownicy końcowi	Co najmniej 7 lat po wprowadzeniu ostatniego modelu na rynek
uszczelki drzwi	Profesjonalni technicy i użytkownicy końcowi	Co najmniej 10 lat po wprowadzeniu ostatniego modelu na rynek

Szanowny Kliencie.

1. Jeśli chcesz zwrócić lub wymienić produkt, skontaktuj się ze sklepem, w którym produkt został zakupiony.  
(Pamiętaj, aby wziąć ze sobą fakturę zakupu)
2. Jeśli produkt działa nieprawidłowo i wymaga naprawy, skontaktuj się z dostawcą usług posprzedażnych.

#### **Arkusze danych produktu dotyczący (UE) 2019/2019**

Arkusze danych produktu dotyczący tego urządzenia jest dostępny na stronie internetowej do pobrania.

Przejdź na stronę <https://eprel.ec.europa.eu/> i wpisz numer modelu urządzenia, aby pobrać arkusze danych

Identyfikator modelu urządzenia znajduje się na tabliczce znamionowej z tyłu / na wewnętrznej części urządzenia.

**Różne rodzaje artykułów spożywczych należy wkładać do różnych komór, zgodnie z poniższą tabelą:**

	Rodzaj artykułu spożywczego
Drzwi lub półki w drzwiach w komorze lodówki	<ul style="list-style-type: none"> <li>• Artykuły spożywcze z naturalnymi konserwantami, takie jak dżemy, soki, napoje i przyprawy. (Zużyć w ciągu 1-2 dni)</li> <li>• Nie przechowywać łatwo psującej się żywności.</li> </ul>
Szuflada na owoce i warzywa (szuflada)	<ul style="list-style-type: none"> <li>• Owoce, zioła i warzywa należy umieścić oddzielnie w przeznaczonym do tego pojemniku. (Zużyć w ciągu 1-2 dni)</li> <li>• Świeżych bananów, cebuli, ziemniaków i czosnku nie należy przechowywać w lodówce.</li> </ul>
<ul style="list-style-type: none"> <li>• Półka lodówki – dolna</li> <li>• Chłodziarka (pojemnik/szuflada)</li> </ul>	<ul style="list-style-type: none"> <li>• Surowe mięso, drób, ryby (przechowywanie krótkoterminowe)</li> </ul>
Półka lodówki – środkowa	<ul style="list-style-type: none"> <li>• Nabiał, jajka (zużyć w zalecanym czasie)</li> </ul>
Półka lodówki – górna	<ul style="list-style-type: none"> <li>• Artykuły spożywcze, które nie wymagają gotowania, takie jak żywność gotowa do spożycia, wędliny i resztki. (przechowywać maksymalnie przez 1-2 dni)</li> </ul>
Szuflada/półka zamrażarki	<ul style="list-style-type: none"> <li>• Artykuły spożywcze przeznaczone do przechowywania długoterminowego.</li> <li>• Dolna szuflada/półka na surowe mięso, drób i ryby. (Czas przechowywania: 4 miesiące)</li> <li>• Środkowa szuflada/półka na mrożone warzywa, frytki. (Czas przechowywania: 6 miesięcy)</li> <li>• Górna szuflada/półka na lody, mrożone owoce, mrożone pieczywo. (Czas przechowywania: 2 miesiące)</li> </ul>

## 8. GWARANCJE

### Gwarancje i ograniczenia odpowiedzialności

Gwarancja Qilive to gwarancja handlowa zapewniana przez producenta SAS OIA, z siedzibą pod adresem 200 rue de la recherche, 59650 Villeneuve d'Ascq, która obejmuje produkty marki Qilive.

Gwarancja Qilive obowiązuje bez uszczerbku dla prawa do bezpłatnego korzystania z ustawowej gwarancji zgodności obowiązującej w krajach sprzedaży. Aby uzyskać więcej informacji na temat ustawowej gwarancji zgodności, proszę zapoznać się z Ogólnymi warunkami sprzedaży danego dystrybutora.

Co obejmuje gwarancja Qilive?

Gwarancja Qilive obejmuje naprawę lub wymianę urządzenia Qilive na inne, o równoważnych funkcjach, w przypadku, gdy w okresie obowiązywania gwarancji okaże się ono wadliwe z powodu wady materiałowej lub fabrycznej. W produktach po naprawie lub wymianie mogą znajdować się nowe i/lub odnowione części oraz komponenty.

Jeśli produktu nie można naprawić ani wymienić, Qilive zwróci środki zgodnie z ceną podaną na dowodzie zakupu.

Czego nie obejmuje gwarancja Qilive?

Urządzenia Qilive zostały zaprojektowane i wyprodukowane w taki sposób, aby zapewniać niezmiennie wysoką wydajność w normalnych warunkach w środowisku domowym. Jeśli urządzenie Qilive jest używane zgodnie z przeznaczeniem i ulegnie awarii w okresie obowiązywania gwarancji, jesteśmy zobowiązani do jego naprawy lub wymiany.

Jednak w pewnych sytuacjach gwarancja Qilive nie obejmuje naprawy lub wymiany urządzenia. Takie sytuacje zostały wyraźnie określone. Gwarancja nie obowiązuje w następujących przypadkach:

- Normalne zużycie, w tym uszkodzenia estetyczne (np. zarysowania, wgniecenia lub celowe zniszczenia) oraz części, które mogą się zużywać z biegiem czasu (np. bezpiecznik, pasek, opona, hamulec, filtry itp.)
- Uszkodzenia lub problemy wynikające z niewłaściwego lub niezgodnego z tabliczką znamionową lub instrukcją obsługi użytkownika, wypadku, modyfikacji.
- Uszkodzenia spowodowane nieprzestrzeganiem zaleceń dotyczących konserwacji urządzenia.
- Użytkowanie lub przechowywanie w sposób, który uniemożliwia prawidłową konserwację urządzenia (utlenianie, korozja) i negatywnie wpływa na zużycie energii oraz w sytuacji użytkownika lub montażu niezgodnie z zaleceniami producenta, a także zaniedbania, jak również stosowania nieodpowiednich urządzeń peryferyjnych, oprogramowania lub materiałów eksploatacyjnych.
- Profesjonalne, masowe, przemysłowe i komercyjne użycie produktu lub użytkowanie do celów innych niż zwykle cele w środowisku domowym w kraju, w którym produkt został zakupiony.
- Uszkodzenia spowodowane przez przyczyny zewnętrzne, takie jak transport, warunki atmosferyczne, przerwy w dostawie prądu lub skoki napięcia.
- Przeprowadzenie modyfikacji urządzeń, których plomba gwarancyjna lub numer seryjny zostały uszkodzone, zmienione, usunięte lub uległy utlenieniu.
- Uszkodzenia wynikające z jakiegokolwiek ingerencji dokonanej przez osoby nieuprawnione.
- Aktualizacje oprogramowania związane ze zmianą parametrów sieci.
- Uszkodzenia spowodowane przez czynniki zewnętrzne (ciała obce, owady itp.)
- Zawartość urządzenia — zamrażarka, pralka itp. — (żywność, odzież itp.)
- Uszkodzenia produktu spowodowane korzystaniem z oprogramowania innych producentów w celu zmiany, adaptacji lub modyfikacji istniejącego oprogramowania.
- Uszkodzenia produktu wynikające z użytkowania go bez akcesoriów dostarczonych z produktem lub z akcesoriami niezatwierdzonymi przez Qilive.

Klient ponosi odpowiedzialność za regularne tworzenie kopii zapasowych danych znajdujących się na dysku twardym lub w pamięci wewnętrznej urządzenia oraz za utworzenie kopii danych bez zwrotem produktu.

Qilive nie ponosi odpowiedzialności za utratę lub zniszczenie przechowywanych danych ani za problemy z oprogramowaniem, zwłaszcza wynikające z przywracania systemu lub awarii.

Qilive nie ponosi również żadnej odpowiedzialności za sprawdzenie, czy ze zwracanych produktów zostały wyjęte karty S/M/SD.

Jakie są warunki gwarancji?

Warunki gwarancji Qilive są następujące:

Gwarancja zaczyna obowiązywać w dniu zakupu (lub w dniu dostawy, jeśli jest późniejsza).

Zanim przystąpimy do jakiegokolwiek pracy na urządzeniu w ramach gwarancji, klient musi przedstawić dowód dostawy/zakupu. Należy pamiętać, że bez dowodu dostawy/zakupu za wszystkie wykonane prace zostanie wystawiona faktura. Należy zachować dowód zakupu lub dostawy.

Wszystkie prace będą wykonywane przez pracowników firmy Qilive lub upoważnionych przez nią podmiotów.

Wszystkie wymienione części stają się własnością Qilive.

Gwarancja zapewnia korzyści, które są dodatkowe w stosunku do praw konsumenta przysługujących ustawowo i nie wpływa na nie.

Jak skorzystać z gwarancji Qilive?

Aby zażądać naprawy lub wymiany produktu w ramach gwarancji Qilive we wszystkich krajach innych niż Francja, należy zwrócić produkt do wyznaczonego miejsca w punkcie sprzedaży wraz z dowodem zakupu (takim jak paragon), produktem i dostarczonymi z nim akcesoriami, w tym niezbędnymi do jego prawidłowego funkcjonowania (kabel zasilający, zasilacz itp.), wraz z oryginalnym opakowaniem. Aby skorzystać z gwarancji we Francji, zachęcamy do zgłoszenia za pomocą naszej strony internetowej: [https://auth sav-login.auchan.fr](https://auth.sav-login.auchan.fr). Należy dysponować takimi informacjami, jak data zakupu, model i numer seryjny lub numer MEI (takie informacje znajdują się najczęściej na produkcie, opakowaniu lub dowodzie zakupu).

Kiedy gwarancja zaczyna obowiązywać?

Gwarancja Qilive wchodzi w życie w dniu zakupu lub dostawy urządzenia, w zależności od tego, która z dat jest późniejsza. Produkt jest objęty gwarancją Qilive na 3 lat(a) w odniesieniu do części i robocizny.

Czy gwarancja Qilive jest zbywalna?

Gwarancja Qilive jest powiązana z urządzeniem, więc można ją przenieść pod warunkiem dostarczenia oryginalnego dowodu zakupu od upoważnionego sprzedawcy, wraz z potwierdzeniem zmiany właściciela urządzenia i zaświadczeniem o dobrym stanie technicznym urządzenia.



# A TARTALOM ÁTTEKINTÉSE:

1. BIZTONSÁGI UTASÍTÁSOK	89. o.
2. MŰSZAKI ADATOK	92. o.
3. TERMÉKLEÍRÁS	92. o.
4. ÜZEMBE HELYEZÉS	93. o.
5. HASZNÁLAT	99. o.
6. KARBANTARTÁS ÉS TISZTÍTÁS	100. o.
7. HIBAELHÁRÍTÁS	102. o.

## 1. BIZTONSÁGI UTASÍTÁSOK

HU


A termék használata előtt olvassa el figyelmesen az alábbi utasításokat, és őrizze meg a használati útmutatót, mert később is szüksége lehet rá.



Figyelmeztetés: Tűz / gyúlékony anyagok veszélye!

1. Ez a készülék arra szolgál, hogy háztartási és ahhoz hasonló a kalmazásokban használják, amik például a boltok, irodák és más munkakörnyezetek dolgozói konyhái; parasztházak, valamint szállodák, motelek és más lakóhelyjellegű környezetek vendégeit kiszolgáló; szállást reggelivel kínáló környezetek, vendéglátóhelyek és ahhoz hasonló, nem kiskereskedelmi célú alkalmazások lehetnek.
2. A gyermekekre figyelni kell annak biztosítása érdekében, hogy ne játsszanak a készülékkel.
3. Ha a tápkábel sérült, a balesetek elkerülése érdekében a gyártónak, az értékesítés utáni szervizszolgáltató cég képviselőjének, vagy hasonlóan képzett szakembernek kell kicserélnie.
4. NE tároljon robbanásveszélyes anyagokat, például gyúlékony hajtóanyagokkal töltött aeroszol flakonokat a készülékben.
5. A készüléket használat után és felhasználói karbantartás előtt ki kell húzni az elektromos hálózatról.
6. FIGYELMEZTETÉS: A készülék burkolatán vagy a beépítési szerkezeten lévő szellőzőnyílásokat tartsa szabadon.
7. FIGYELMEZTETÉS: Ne használjon a leolvasztás gyorsítására a gyártó által ajánlottól eltérő mechanikus eszközöket vagy egyéb módszereket.
8. FIGYELMEZTETÉS: Ne sértse meg a hűtőközeg csővezetékét.
9. FIGYELMEZTETÉS: Ne használjon elektromos készülékeket a berendezés élelmiszer-tároló rekeszeiben, kivéve, ha azok a gyártó által ajánlott típusok.
10. A hűtőszekrényben lévő hűtőközeg R600a földgáz. Nem káros a környezetre, de gyúlékony. Ezért fontos, hogy a hűtőszekrény szállítása és telepítése során körültekintően járjon el, és ne sértse meg a hűtőközeg csövét. Gázszivárgás esetén kerülje a közeli lángokkal vagy tűzzel való érintkezést, és szellőztesse a helyiséget.
11. Soha ne kísérelje meg saját maga megjavítani a hűtőszekrényt, kizárólag szakemberrel végeztesse el a javításokat.
12. FIGYELMEZTETÉS: A hűtőszekrényt a helyi szabályozásnak megfelelően tegye le, mert gyúlékony fűvógáz és hűtőközeg van benne.

13. FIGYELMEZTETÉS: A készülék elhelyezésekor biztosítsa, hogy a tápkábel ne akadjon be és ne sérüljön meg.
14. FIGYELMEZTETÉS: Ne helyezzen a készülék hátsó oldala közelébe hordozható aljzatokat vagy hordozható áramforrásokat.
15. NE használjon hosszabbítót vagy földetlen (kétvillás) adaptert.
16. VESZÉLY: A gyermekek bent rekedésének veszélye. Mielőtt megválna régi hűtőszekrényétől vagy fagyasztójától:
  - Vegye le az ajtókat.
  - Hagyja a polcokat a helyükön, így a gyermekek nem tudnak könnyen bemászni.
17. A tartozékok beszerelése előtt a hűtőszekrényt le kell választani az áramforrásról.
18. A hűtőszekrényhez használt hűtőközeg és habszigetelő anyag gyúlékony. Ezért a hűtőszekrényt a leselejtezése esetén tartsa távol minden tűzforrástól, és gondoskodjon arról, hogy olyan hulladékártalmatlanító társasághoz kerüljön, amely az ártalmatlanításhoz az égetéstől eltérő, megfelelő képesítéssel is rendelkezik, hogy megakadályozza a környezet sérülését vagy bármilyen egyéb ártalmat.
19. EN szabvány esetében: A készüléket nyolc évesnél idősebb gyerekek, korlátozott fizikai, érzékszervi vagy mentális képességű személyek, valamint megfelelő tudással vagy ismeretekkel nem rendelkező személyek kizárólag felügyelet mellett, illetve abban az esetben használhatják, ha a készülék biztonságos kezeléséről tájékoztatást kaptak, és tisztában vannak az ahhoz kapcsolódó kockázatokkal. A készülékkel gyermekek nem játszhatnak. A készülék tisztítását és felhasználói karbantartását gyerekek felügyelet nélkül nem végezhetik. A 3 és 8 év közötti gyermekek a hűtőkészülékek be- és kirakódását nem végezhetik.
20. Szükséges, hogy a zárrakkal és kulcsokkal ellátott ajtók vagy fedelek esetében a kulcsokat gyermekektől elzárva, valamint nem a hűtőkészülék közelében tartsák, annak érdekében, hogy a gyermekeket ne lehessen bezárni a készülékbe.
21. Az élelmiszer szennyeződésének elkerülése érdekében tartsa be az alábbi utasításokat:
  - Ha a készülék ajtaját hosszú időre nyitva hagyja, az jelentősen növelheti a hűtőszekrény belső hőmérsékletét.
  - Rendszeresen tisztítsa meg az élelmiszerekkel érintkező felületeket és a hozzáférhető folyadékkezelő rendszereket.
  - Tisztítsa ki a víztartályokat, ha azokat már 48 órája nem használta: öblítse át a vízhálózatra kötött vízrendszert, ha már 5 napja nem használta a vízadagolót. (1. megjegyzés)
  - A nyers húst és halat arra alkalmas tárolóban tartsa a hűtőben, hogy azok ne érintkezzenek más élelmiszerekkel, illetve a levük ne csepeghessen rájuk.
  - A kétcillagos fagyasztottélelmiszer-tároló rekeszek alkalmasak előfagyasztott élelmiszerek tárolására, jégkrémek tárolásához vagy készítéséhez, valamint jégkockakészítéshez. (2. megjegyzés)
  - Az egy-, két- és háromcillagos rekeszek friss élelmiszerek fagyasztására nem alkalmasak. (3. megjegyzés)
  - Ha a hűtőkészülék hosszú időre üres marad, úgy kapcsolja ki, olvassa le, tisztítsa ki, szárítsa meg, és hagyja nyitva az ajtaját, hogy megelőzze a készülék belsejének penészesedését.
  - Négycillagos rekesz nélküli készülékek esetén: ez a hűtőkészülék élelmiszerek fagyasztására nem alkalmas. (4. megjegyzés)
  - 1., 2., 3., 4. megjegyzés: Ellenőrizze, hogy a termékrekesze szerint vonatkozik-e rá.
22. Szabadonálló készülékek esetén: ez a hűtőkészülék beépített készülékként nem használható.
23. A LED-lámpákat csak a gyártó, annak szerelője vagy egy hozzá hasonló képzett személy cserélheti ki vagy tarthatja karban.

24.  A készülék jelölése (áthúzott szemetesekuka szimbólum) megfelel a „Használt elektromos és elektronikus berendezésekről” szóló 2012/19/EU európai irányelvnek. Ez a jelölés azt jelenti, hogy ez a berendezés hasznos élettartamának végén nem ártalmatlanítható más háztartási hulladékkal együtt. A felhasználó köteles átadni a használt elektromos és elektronikus berendezéseket begyűjtését végző üzemeltetőknek. A begyűjtési üzemeltetők, beleértve a helyi gyűjtőpontokat, üzleteket és helyi hatóságokat, megfelelő rendszert hoznak létre a berendezések begyűjtésére. A használt elektromos és elektronikus berendezések megfelelő gyűjtése segít elkerülni azokat az emberi egészségre és a környezetre gyakorolt káros hatásokat, amelyek a veszélyes összetevők jelenlétéből, valamint a berendezések nem megfelelő tárolásából és kezeléséből erednek.

## 1.1. ENERGIAFIGYELMEZTETÉSEK

1. Előfordulhat, hogy a hűtőberendezések nem működnek megfelelően (az élelmiszerek kiolvadhatnak, vagy a hőmérséklet túlmelegedhet a fagyaszóban), ha a környezeti hőmérséklet hosszabb ideig a hűtőkészülék tervezett használati hőmérsékleti tartományánál alacsonyabb.
2. Fontos, hogy a pezsgő/habzó italokat nem szabad a fagyasztórekeszekben vagy -tárolókban, vagy az alacsony hőmérsékletű rekeszekben vagy a fagyasztótérben tárolni, és hogy egyes élelmiszereket – például a gyümölcsfagyaltokat – nem szabad túl hidegen fogyasztani.
3. Fontos, hogy ne tároljon semmilyen élelmiszert – különös tekintettel a kereskedelmi forgalomban kapható gyorsfagyasztott ételekre – az élelmiszergyártók által ajánlott tárolási időnél hosszabb ideig a fagyasztótérben vagy -rekeszekben.
4. Tegye meg a szükséges óvintézkedéseket, hogy megakadályozza a lefagyasztott élelmiszer nemkívánatos felmelegedését a hűtőkészülék leolvasztása közben, például csomagolja be a lefagyasztott élelmiszert több rétegnyi újságpapírba.
5. Vegye figyelembe, hogy a lefagyasztott élelmiszerek hőmérsékletének megemelkedése a manuális leolvasztás, a karbantartás vagy a tisztítás során lerövidítheti a tárolási időt.

## 2. MŰSZAKI ADATOK

Tápellátás	220-240 V~, 50 Hz
Névleges áram	0,5 A
Energiafogyasztás	176 kWh/év
Érintésvédelmi osztály	I
Klímaosztály	N/ST
Lámpa névleges teljesítménye	max. 2 W
Teljes térfogat	204 liter
A frissélelmiszer-rekesz térfogata	163 liter
A négycsillagos rekesz térfogata	41 liter
Hűtőközeg és befecskendezett mennyiség	R600a/44g
Méretetek (M x H x Sz)	1430 x 550 x 550 mm
Nettó tömeg	37 kg

HU

## 3. TERMÉKLEÍRÁS

- |               |                      |
|---------------|----------------------|
| 1. Polc       | 4. Polc              |
| 2. Termosztát | 5. Frissentartó fiók |
| 3. Polc       | 6. Ajtótalca         |

## 4. ÜZEMBE HELYEZÉS

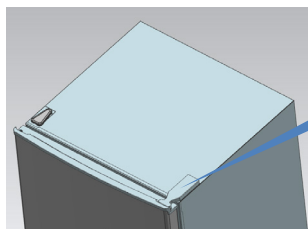
### 4.1. ELHELYEZÉS

- A készülék helyének kiválasztásakor ügyeljen arra, hogy a padló vízszintes és szilárd, a helyiség pedig jól szellőző legyen.
- Ne helyezze a készüléket hőforrás (pl. tűzhely, kazán vagy radiátor) közelébe. Kerülje a közvetlen napfényt is, mivel ez megnövelheti az elektromos fogyasztást.
- A szélsőségesen alacsony környezeti hőmérséklet is a készülék nem megfelelő működését okozhatja.
- A készülék nem garázsban vagy kültéri létesítményben való használatra készült.
- Semmilyen takaróval ne fedje le a készüléket.
- A készülék elhelyezésekor biztosítsa, hogy mindkét oldalán és a hátoldalánál 10 cm, felül pedig 30 cm szabad hely legyen. Ez lehetővé teszi a hideg levegő keringését a készülék körül, és javítja a hűtési folyamat hatékonyságát.

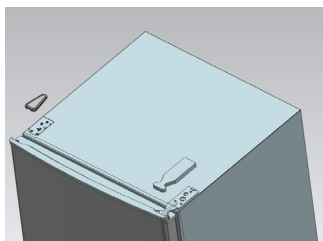
### 4.2. AZ AJTÓNYITÁS IRÁNYÁNAK MEGFORDÍTÁSA (OPCIONÁLIS)

**Szükséges szerszámok:** Csillagfejű csavarhúzó / laposfejű csavarhúzó / imbuszkulcs

1. Távolítsa el a felső forgópánt takaróelemét.

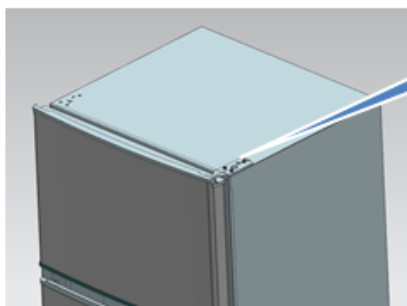


Felső forgópánt-  
takaróelem



HU

2. Távolítsa el a (felső forgópántot rögzítő) csavarokat csillagfejű csavarhúzóval.

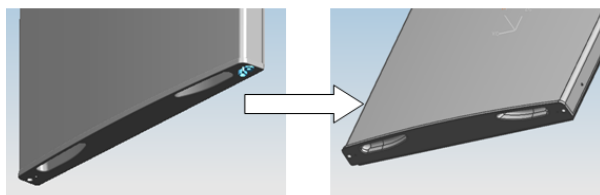


Csavar (3 db)

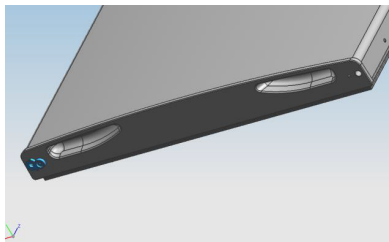
3. Helyezze át a felső forgópántot, a felső ajtóhatároló elemet és az ajtó csapágyerselyét a másik oldalra.  
a. Távolítsa el az anyát a hüvellyel. Vegye le az alátétet, és helyezze át a tengelyeket a másik oldalra, és rögzítse ezeket.



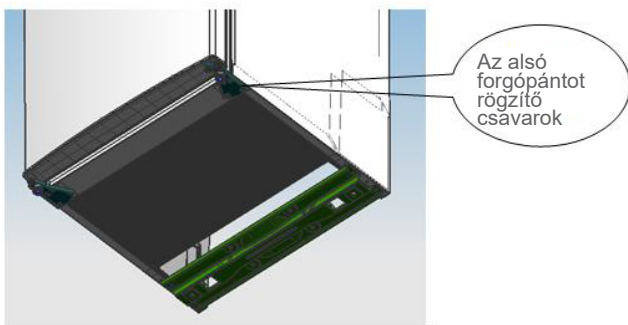
- b. Távolítsa el az ajtóhatároló elemet.



c. Vegye ki a másik ajtóhatároló elemet (csavarral van rögzítve az ajtóhoz).

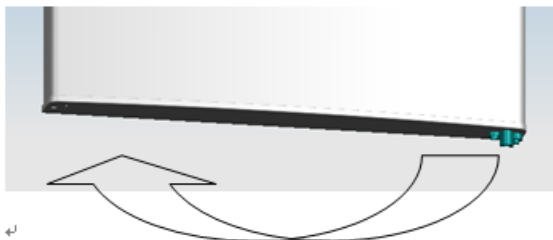


4. Távolítsa el az (alsó forgópántot rögzítő) csavarokat csillagfejű csavarhúzóval.

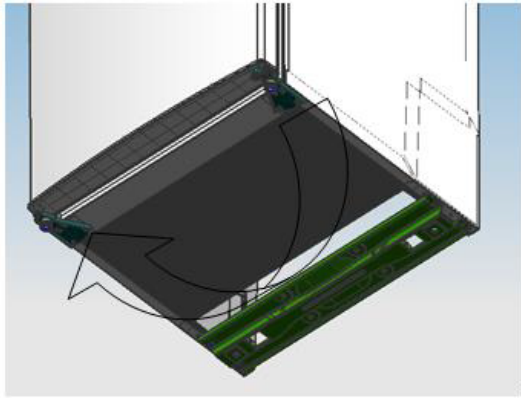


**Megjegyzés:** A hűtőszekrény-fagyasztó maximális dőlésszöge 45°.

5. Helyezze fel az alsó ajtó csapágyperselyét és a határolóelemet.



6. Helyezze át az alsó forgópántot a másik oldalra, és rögzítse csavarokkal.

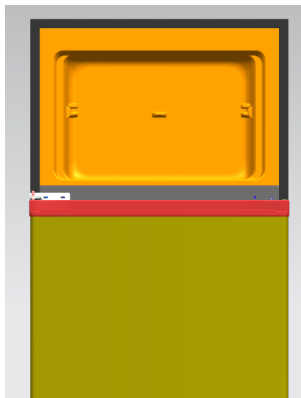


7. Helyezze át a középső forgópántot.

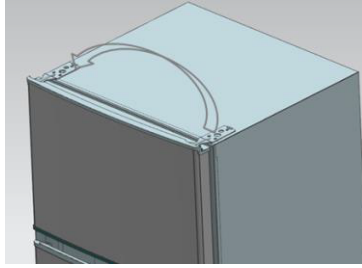
HU



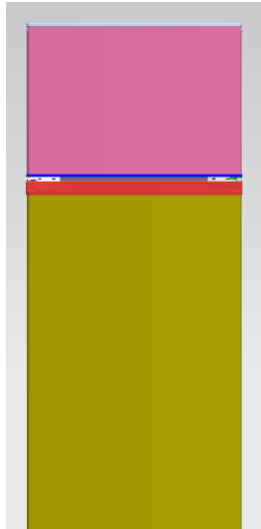
8. Helyezze fel az alsó ajtót a megfelelő helyzetbe, majd rögzítse a középső forgópántot.



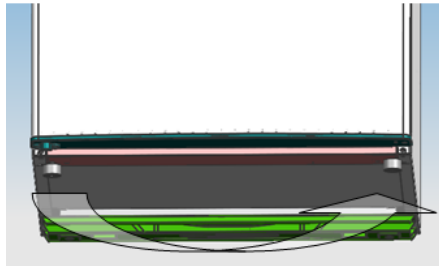
9. Helyezze fel a felső forgópántot.



10. Helyezze fel a felső ajtót a megfelelő helyzetbe, majd szerelje fel a felső forgópántot és a takaróelemet.



11. Szerelje fel a csavarkupakokat és a két reteszt a megfelelő helyre,
- Bizonyosodjon meg arról, hogy a készülék le van-e csatlakoztatva a hálózatról, és üres.
  - Állítsa a két szintező lábak a legmagasabb pozícióba.
  - Javasoljuk, hogy legyen egy segítője.
12. Helyezze át a szintezőt a másik oldalra, és állítsa be úgy, hogy a készülék vízszintes legyen.





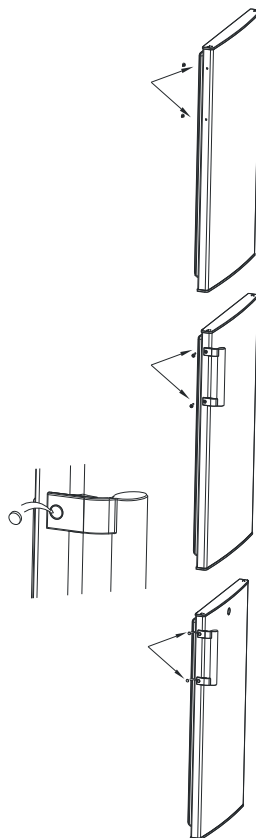
### 4.3. AZ AJTÓFOGANTYÚ FELSZERELÉSE (OPCIONÁLIS)

**Megjegyzés:** A használati útmutatóban található ábrák csak hivatkozásként szolgálnak. A tényleges termék kismértékben eltérő lehet. A tartozékok beszerelése előtt a hűtőszekrényt le kell választani az áramforrásról.

1. lépés: Vegye ki a két takarókupakot az ajtóból (azon az oldalon, ahol nyílik az ajtó).

2. lépés: Szerelje fel az ajtófogantyút, és rögzítse csavarokkal.

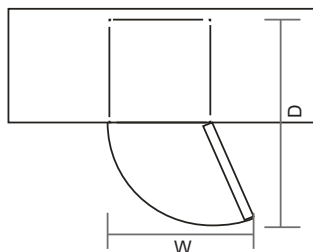
3. lépés: Nyomja be a fogantyú csavaros kupakjait a csavarfuratokba.



HU

#### 4.4. AZ AJTÓ HELYIGÉNYE

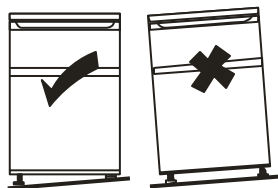
A készülék ajtaját teljesen ki kell tudni nyitni, ahogy az ábrán látható.  
(Szélesség × Mélység ≥ 902 × 1052 mm)



#### 4.5. A KÉSZÜLÉK VÍZSZINTESBE ÁLLÍTÁSA

A készülék szintezéséhez a készülék elülső oldalán található két szintezőlábat kell beállítani. Ha a készülék nem áll vízszintesen, az ajtó és a mágneses zárórészek nem zárnak megfelelően.

Használat előtt ellenőrizze, hogy a láb érinti a padlót. Fentről lefelé nézve állítsa be a szintezőlabát, forgassa balról jobbra vagy jobbról balra a meghúzáshoz, illetve a kilazításhoz.



#### 4.6. TISZTÍTÁS HASZNÁLAT ELŐTT

Törölje át a készülék belsejét kevés szódabikarbónával készült oldattal. Ezután kicsavart szivaccsal vagy ruhával öblítse le meleg vízzel. Mossa el a polcokat és a zöldségtartó rekeszt meleg mosogatószeres vízzel, és a készülékbe való visszahelyezés előtt teljesen szárítsa meg. A készülék külső burkolatát nedves ruhával törölje le.

Ha további információra van szüksége, olvassa el a „KARBANTARTÁS ÉS TISZTÍTÁS” részt.

#### 4.7. A KÉSZÜLÉK HASZNÁLATA ELŐTT

- A biztonságos használat érdekében semmilyen körülmények között ne sértse meg a tápkábelt, és ne használja a készüléket, ha a tápkábel megsérült vagy a dugó elhasználódott.
- Ne helyezzen tűzveszélyes, robbanásveszélyes, illékony vagy erősen maró hatású anyagokat a hűtőszekrénybe, hogy megakadályozza a termék károsodását vagy a tüzeseteket.
- A tűzveszély elkerülése érdekében ne helyezzen tűzveszélyes tárgyakat a hűtőszekrény közelébe.
- A termék háztartási hűtőszekrény, és csak élelmiszerek tárolására alkalmas. A nemzeti szabványok szerint a háztartási hűtőszekrények más célokra – például vér, gyógyszerek vagy biológiai termékek tárolására – nem alkalmasak.
- Ne helyezzen palackozott vagy lezárt folyadék tartályokat, például palackozott sört és italokat a fagyasztóba, hogy elkerülje azok felrobbanását és az egyéb károkat.
- Mielőtt élelmiszert helyezne a készülékbe, kapcsolja be, és várjon 24 órát, hogy megbizonyosodjon arról, hogy a készülék megfelelően működik, illetve elég időt hagyjon a készülék megfelelő hőmérsékletre való lehűlésére. A készüléket nem szabad túltölteni.



- Az elektromos hálózathoz való csatlakoztatás előtt Ellenőrizni kell, hogy a készülékhez mellékelt csatlakozódugasz illeszkedik a fali aljzatba.
- A készülék bekapcsolása előtt A készülék mozgatását követő két órán belül ne kapcsolja be.

## 4.8. BELSŐ TARTOZÉKOK

A készülékhez számos üveg vagy műanyag tárolópolc van mellékelve - a különböző modellek különböző kombinációkkal rendelkeznek.

Mindig csúsztassa az egyik teljes méretű üveg tárolópolcot a legalacsonyabban lévő vezetősínbe, a gyümölcs- és zöldségekesz fölé, és tartsa ott. Ehhez húzza előre a tárolópolcot, így felfelé vagy lefelé elmozdítható és eltávolítható.

Ha más magasságban szeretné behelyezni a polcot, tegye ugyanezt fordított sorrendben.



A friss élelmiszerek tárolására és a fagyasztott élelmiszerek tárolására szolgáló rekeszek térfogatának maximális kihasználása érdekében egy vagy több polc, vagy rekesz kivehető a készülékből, a napi használatnak megfelelően.

HU

## 5. HASZNÁLAT

### 5.1. A KÉSZÜLÉK BEKAPCSOLÁSA

- A hűtőszekrényben lévő hőmérséklet szabályozásához forgassa el a termosztátgombot.  
„Min” beállítás: Legkevesebb hűvös hőmérséklet  
„Mid” beállítás: Normál működés (a legtöbb helyzetben megfelelő)  
„Max” beállítás: Leghidegebb hőmérséklet  
„Off” beállítás: Ha a termosztát szabályozógombja „Off” (Ki) állásban van, a hűtőszekrény nem működik.
- A hűtőszekrény első beüzemelésekor állítsa a termosztát gombját „Mid” állásba. Étel behelyezése előtt hagyjon időt a hűtőszekrénynek a teljes lehűlésre. Ajánlatos 24 órát várakozni az étel behelyezése előtt.
- Magas környezeti hőmérsékleten (pl. forró nyári napokon) a termosztát leghidegebb fokozatra („Max” állásra) való beállítására lehet szükség. Ez a kompresszor folyamatos működését okozhatja annak érdekében, hogy alacsony hőmérsékletet tartson fenn a készülékben.

### 5.2. ZAJ A KÉSZÜLÉK BELSEJÉBEN

Előfordulhat, hogy a készüléke szokatlan hangokat ad. A legtöbb ilyen hang teljesen normális, de legyen tisztában ezzel!

A zajokat a hűtőközeg-folyadék hűtőrendszerben való keringése okozza.

A CFC-mentes gázok (teljesen halogénezett hűtőközegek) bevezetése óta ez fokozottabbá vált. Ez nem hiba, és nem befolyásolja a készülék teljesítményét. A zaj a kompresszor működését jelzi, ahogy szivattyúzza a hűtőközeget a rendszerben.

### 5.3. ÉTELTÁROLÁSI TIPPEK

- A baktériumok átjutásának elkerülése érdekében a főtt húst/halát mindig a nyers hús/hal feletti polcok egyikén tárolja. A nyers húst/ halat olyan edényben tárolja, amely elég nagy ahhoz, hogy összegyűjtse a leveket, és fedje le megfelelően. Az edényt a legalsó polcon helyezze el.
- Hagyjon helyet az élelmiszerek körül, hogy a levegő keringhessen az egységben. Győződjön meg arról, hogy az egység minden része hűvös.
- A szagok átadása és a kiszáradás elkerülése érdekében külön csomagolja vagy fedje le az élelmiszereket. A gyümölcsöket és a zöldségeket nem szükséges becsomagolni.
- Mindig hagyja kihűlni az előfőzött ételt, mielőtt beteszi a készülékbe. Ez segít fenntartani a készülék belső hőmérsékletét.
- Annak érdekében, hogy a hideg levegő ne szökjön ki a készülékből, próbálja meg leszorítani az ajtónyitások számát. Azt javasoljuk, hogy csak akkor nyissa ki az ajtót, amikor ételt kell betennie vagy kivennie.

### 5.4. FAGYASZTOTT ÉLELMISZEREK TÁROLÁSA

- A megvásárolt fagyasztott élelmiszert haladéktalanul be kell tenni a fagyasztóba, hogy megakadályozza az ételek felolvadását és megromlását.
- Mindig be kell tartani a gyártók által a fagyasztott élelmiszerek csomagolásán feltüntetett tárolási utasításokat.
- A fagyasztó első használatakor vagy leolvasztás után állítsa legalább 2 óra a maximális állásba a termosztátgombot, majd állítsa a normál állásba.

## 5.5. ENERGIATAKARÉKOSSÁGI TIPPEK

- A hűtőszekrényt vagy a fagyasztót hűvös helyen helyezze el, távol a közvetlen napfénytől, a tűzhelyektől, a fűtőberendezésektől, a mosogatógépektől vagy bármilyen forró levegőt kibocsátó készülékektől.
- Ne állítsa a fagyasztó hőmérsékletét alacsonyabbra a szükségesnél. A belső hőmérsékletet a megfelelő tartományba állítsa be, pl. állítsa a termosztátot a fagyasztóban -18 °C-os hőmérsékletre.
- Ha megvárja, hogy az előfőzött ételek lehűljenek, mielőtt ezeket a hűtőszekrénybe vagy a fagyasztóba helyezi, azzal megakadályozza, hogy megemelkedjen a hűtőszekrényben a belső hőmérséklet.
- Legyen a fagyasztó tele, de ne teljesen, próbáljon meg legalább 20% üres helyet hagyni a levegő áramlásához.
- A hideg levegő távozásának megakadályozása érdekében korlátozza az ajtónyitás gyakoriságát. Amikor hazaér a bevásárlásból, az ajtó nyitása előtt válogassa szét a fagyasztóban tárolandó élelmiszereket. Csak az élelmiszerek behelyezésekor vagy kivételekor nyissa ki az ajtót.
- Ügyeljen arra, hogy az ajtótműtítés tiszta és jó állapotú legyen. Zárt állapotban szorosan a helyén kell tartania egy darab papírt.
- Rendszeresen olvassa le, ha a jég vastagsága meghaladja az 5 mm-t. A készülék belső oldalait borító vastag jég jelentősen növeli az energiafelhasználást.
- A fiókok, kosarak és polcok energiatakarékosághoz optimális kombinációja a készülék leírásában látható. Ha eltérnek a kombinációs javaslatától, a hatékonyság megváltozhat.

HU

Szám	Rekeszek TÍPUSA	Tárolási célhőmérs. [°C]	Megfelelő étel
1	Hűtő	+2 ~ +8	A tojás, a főtt ételek, a csomagolt élelmiszerek, a gyümölcsök és zöldségek, a tejtermékek, a sütemények, az italok és egyéb élelmiszerek nem alkalmasak fagyasztásra.
2	(****)-os fagyasztó	≤-18	Tenger gyümölcsei (hal, rák, kagyló), édesvízi halból készült ételek és hűskészítmények (3 hónapig ajánlott, minél hosszabb a tárolási idő, annál rosszabb az íz és annál kevesebb a tápérték), alkalmas fagyasztott friss élelmiszerekhez.
3	***-os fagyasztó	≤-18	Tenger gyümölcsei (hal, rák, kagyló), édesvízi halból készült ételek és hűskészítmények (3 hónapig ajánlott, minél hosszabb a tárolási idő, annál rosszabb az íz és annál kevesebb a tápérték), alkalmas fagyasztott friss élelmiszerekhez.
4	** -os fagyasztó	≤-12	Tenger gyümölcsei (hal, rák, kagyló), édesvízi halból készült ételek és hűskészítmények (3 hónapig ajánlott, minél hosszabb a tárolási idő, annál rosszabb az íz és annál kevesebb a tápérték), alkalmas fagyasztott friss élelmiszerekhez.
5	*-os fagyasztó	≤-6	Tenger gyümölcsei (hal, rák, kagyló), édesvízi halból készült ételek és hűskészítmények (3 hónapig ajánlott, minél hosszabb a tárolási idő, annál rosszabb az íz és annál kevesebb a tápérték), alkalmas fagyasztott friss élelmiszerekhez.
6	0-csillagos	-6 ~ 0	„Friss sertéshús, marhahús, hal, csirke, néhány csomagolt feldolgozott élelmiszer stb. (Javasolt ugyanazon a napon elfogyasztani, lehetőleg legfeljebb 3 napon belül).
7	Hűtés	-2 ~ +3	Friss/fagyasztott sertéshús, marhahús, csirke, édesvízi halból készült ételek stb. (0 °C alatti és 0 °C feletti hőmérsékleten 7 napon belül ajánlott elfogyasztani, lehetőleg legfeljebb 2 napon belül.) Tenger gyümölcsei (15 napig kevesebb, mint 0, nem ajánlott 0 °C felett tárolni.

Megjegyzés: kérjük, a különböző élelmiszereket a megvásárolt termékek rekeszeinek vagy tárolási célhőmérsékletének megfelelően tárolja

## 6. KARBANTARTÁS ÉS TISZTÍTÁS

### 6.1. LEOLVASZTÁS

**Megjegyzés:** A készülék nem rendelkezik automatikus leolvasztó funkcióval.

A párologtató jegesedésének eltávolításához használjon műanyag jégkaparót. Ne használjon fémből készült eszközöket.

### 6.2. A KÉSZÜLÉK BELSŐ ÉS KÜLSŐ RÉSZÉNEK TISZTÍTÁSA

- A hűtési kapacitás javítása és az energiatakarékosság érdekében időben távolítsa el a hűtőszekrény mögött és a padlón összegyűlt port.
- Rendszeresen ellenőrizze az ajtó tömítést, hogy nincs-e rajta szennyeződés. Az ajtó tömítést egy szappanos vízben vagy hígított mosószerben megnedvesített puha ruhával törölje át.
- A hűtőszekrény belsejét rendszeresen tisztítani kell, hogy elkerülje a kellemetlen szag megjelenését.
- A belseje tisztítása előtt húzza ki a készüléket, vegyen ki minden ételt, italt, polcot, fiókot stb.
- Egy puha ruhával vagy szivaccsal tisztítsa meg a hűtőszekrény belsejét, amihez használja a két evőkanál szódadabikarbóna és egy liter meleg víz keverékét. Ezután öblítse át vízzel, és törölje tisztára. A tisztítás után nyissa ki az ajtót, és hagyja természetes módon megszáradni, mielőtt bekapcsolja a készüléket.
- A hűtőszekrény nehezen tisztítható részeit (például szűk helyek, rések és sarkok) ajánlott rendszeresen áttörölni puha ruhával, puha kefével stb. és szükség esetén használhat segédeszközöket (például vékony pálcikát) is, hogy ne halmozódjanak fel szennyeződések vagy baktériumok ezeken a területeken.
- Ne használjon tisztítószert, mosogatószert, súrolóport, tisztítósprayt stb., mert ezek az anyagok szagok hagyhatnak a hűtőszekrény belsejében, vagy szennyezhetik az élelmiszert.
- A palackos keretet, a polcokat és fiókokat szappanos vízzel vagy hígított mosószerrel benedvesített puha ruhával törölje át. Puha ruhával vagy természetes módon szárítsa meg azokat.
- A hűtőszekrény külső burkolatát törölje le tisztítószerebe vagy mosogatószerebe mártott nedves ruhával, majd törölje szárazra.
- Ne használjon kemény sőtörjű keféket, fémszálás súrolót, drótkéfeket, súroló hatású szereket (pl. fogkrémet), szerves oldószereket (pl. alkoholt, acetont, banánolajat stb.), forrásban lévő vizet, savas vagy lúgos anyagokat, amelyek károsíthatják a hűtőszekrény külső vagy belső felületét. A forrásban lévő víz és a szerves oldószerek, mint például a benzol, eldeformálhatják vagy károsíthatják a műanyag a kátrészeket.
- Ne öblítse le a készüléket közvetlenül vízzel vagy egyéb folyadékkal a tisztítás alatt, hogy elkerülhesse a rövidzárlatot, illetve, hogy az elektromos szigetelés a folyadékkal érintkezés után is változatlanul működhessen.

### 6.3. TIPPEK A TISZTÍTÁSHOZ

A készülék belső felületén kondenzáció jelenhet meg. Ezt a helyiség hőmérsékletének változása okozhatja. Törölje le a nedvességet. Ha a probléma nem szűn meg, kérje szakember segítségét.

### 6.4. KARBANTARTÁS

#### A belső lámpa cseréje

A lámpa cseréjét csak szakember végezheti.

#### Óvatosan járjon el a készülék kezelése/mozgatása során

Mozgatás közben az oldalánál vagy a talpánál fogja meg a készüléket. Semmiképpen sem szabad a felső felület szélét tartva megemelni a készüléket.

#### Szerviz

A terméket csak szakember szervizelheti, és a javítás során csak eredeti pótalkatrészek használhatók. Semmiképpen ne kísérelje meg saját maga megjavítani a készüléket. A tapasztalatlan személyek által végzett javítások sérülést vagy súlyos meghibásodást okozhatnak. Forduljon szakemberhez.

### Kikapcsolás hosszú időre

Ha a készüléket hosszabb ideig nem használja, húzza ki az elektromos hálózathoz, vegye ki az összes élelmiszert, és tisztítsa ki a készüléket, valamint félig hagyja nyitva az ajtót a kellemetlen szagok elkerülése érdekében.

## 7. HIBAELHÁRÍTÁS

Az alábbi egyszerű problémákat megpróbálhatja saját maga is megoldani. Ha nem oldódnak meg, forduljon az értékesítés utáni támogató részleghez.

Probléma	Javasolt megoldás
Sikertelen művelet	<ul style="list-style-type: none"><li>• Ellenőrizze, hogy a hűtőszekrény csatlakoztatva van-e az elektromos hálózathoz;</li><li>• Alacsony feszültség;</li><li>• Ellenőrizze, hogy nincs-e áramkimaradás, vagy részleges áramszünet.</li></ul>
Szag	<ul style="list-style-type: none"><li>• A szagot kibocsátó élelmiszereket szorosan be kell csomagolni.</li><li>• Ellenőrizze, hogy nem romlott-e az élelmiszer.</li><li>• Ellenőrizze, hogy nem kell-e kitisztítani a hűtőszekrény belső terét.</li></ul>
A kompresszor hosszú idejű működése	<ul style="list-style-type: none"><li>• Normális jelenség, hogy a hűtőszekrény nyáron, amikor a külső hőmérséklet magasabb, hosszabb ideig működik.</li><li>• Ne helyezzen egyszerre túlságosan sok élelmiszert a fagyasztóba.</li><li>• Ne helyezze be az élelmiszereket, mielőtt azok lehűltek.</li><li>• A hűtőszekrény ajtajának gyakori nyitása.</li></ul>
A világítás nem ég	<ul style="list-style-type: none"><li>• Ellenőrizze, hogy a hűtőszekrény csatlakoztatva van-e az elektromos hálózathoz;</li><li>• Ellenőrizze, hogy a lámpa nem sérült-e.</li><li>• Ha a lámpa sérült, cseréltesse ki szakemberrel.</li></ul>
A hűtőszekrény ajtaja nem zárható megfelelően.	<ul style="list-style-type: none"><li>• Az ajtó zárását élelmiszerek akadályozzák;</li><li>• Túlságosan sok élelmiszer van a hűtőszekrényben;</li><li>• A hűtőszekrény meg van döntve.</li></ul>
Hangos zaj	<ul style="list-style-type: none"><li>• Ellenőrizze, hogy az élelmiszerek megfelelően vannak-e behelyezve, és a hűtőszekrény vízszintesen áll-e;</li><li>• Ellenőrizze, hogy a hűtőszekrény tartozékai megfelelően vannak-e rögzítve.</li></ul>

### Tipppek:

- A hűtőszekrény hőt bocsáthat ki működés közben, különösen nyáron, ami normális jelenség, és a kondenzátor sugárzása okozza.
- Kondenzáció: magas környezeti páratartalom esetén kondenzáció jelenhet meg a fagyasztó külső felületen és az ajtótomítéseken, ami normális jelenség, és száraz ruhával letörölhető.
- A kompresszor működése zümmögő zajt okoz, különösen az egység be- vagy kikapcsolásakor.

## 1. táblázat Klímaosztályok

Osztály	Jelölés	Környezeti hőmérsékleti tartomány (°C)
Kiterjesztett mérsékelt	SN	+10 és +32
Mérsékelt	N	+16 és +32
Szubtrópusi	ST	+16 és +38
Trópusi	T	+16 és +43

Kibővített mérsékelt éghajlat: ezt a hűtőkészüléket a rendeltetése szerint 10 °C és 32 °C környezeti hőmérséklet között kell használni;

Mérsékelt éghajlat: ezt a hűtőkészüléket a rendeltetése szerint 16 °C és 32 °C környezeti hőmérséklet között kell használni;

Szubtrópusi éghajlat: ezt a hűtőkészüléket a rendeltetése szerint 16 °C és 38 °C környezeti hőmérséklet között kell használni;

Trópusi éghajlat: ezt a hűtőkészüléket a rendeltetése szerint 16 °C és 43 °C környezeti hőmérséklet között kell használni;

HU

Az alábbi táblázatban látható megrendelt a katrészek beszerzési csatornája \_\_\_\_\_:

Megrendelt alkatrész	Szállítója	A szállítás garantált minimális ideje
termosztátok	Professzionális karbantartó személyzet	Legalább 7 év az utolsó modell piacra kerülését követően
hőmérséklet-érzékelők	Professzionális karbantartó személyzet	Legalább 7 év az utolsó modell piacra kerülését követően
nyomtatott áramköri lapok	Professzionális karbantartó személyzet	Legalább 7 év az utolsó modell piacra kerülését követően
fényforrások	Professzionális karbantartó személyzet	Legalább 7 év az utolsó modell piacra kerülését követően
ajtófogantyúk	Professzionális szerelők és végfelhasználók	Legalább 7 év az utolsó modell piacra kerülését követően
ajtózsanérok	Professzionális szerelők és végfelhasználók	Legalább 7 év az utolsó modell piacra kerülését követően
tálcák	Professzionális szerelők és végfelhasználók	Legalább 7 év az utolsó modell piacra kerülését követően
kosarak	Professzionális szerelők és végfelhasználók	Legalább 7 év az utolsó modell piacra kerülését követően
ajtótömítések	Professzionális szerelők és végfelhasználók	Legalább 10 év az utolsó modell piacra kerülését követően

Kedves vásárló,

- Ha vissza szeretné küldeni vagy ki szeretné cseréltetni a terméket, forduljon a vásárlás helye szerinti üzlethez.  
(Ne felejtse el magával hozni a vásárlást igazoló számlát)
- Ha a termék meghátrózik és javításra szorul, forduljon az értékesítés utáni szolgáltatóhoz.

## Termékadatlap az (EU) 2019/2019 rendelet alapján

Az Ön készülékéhez tartozó termékadatlap online elérhető, ha szeretne egy példányt letölteni.

Keresse fel a <https://eprel.ec.europa.eu/> weboldalt, majd adja meg készüléke modellazonosítóját az adatlap letöltéséhez.

A készülék modellazonosítója a készülék hátoldalán vagy a belsejében lévő típustáblán található.

### Az ételeket az alábbi táblázat szerint helyezze el a különböző rekeszekben

	Étel típusa
Ajtó vagy a hűtőrekesz tárolói	<ul style="list-style-type: none"><li>• Természetes tartósítószeret tartalmazó ételek, például lekvárok, ivólék, italok, fűszerek. (1–2 napon belül fogyassza el.)</li><li>• Ne tároljon romlandó ételeket.</li></ul>
Frissentartó rekesz (salátás)	<ul style="list-style-type: none"><li>• A gyümölcsöket, fűszernövényeket és zöldségeket külön kell a frissentartó edénybe tenni. (1–2 napon belül fogyassza el)</li><li>• Banánt, hagymát, burgonyát vagy fokhagymát ne tároljon a hűtőszekrényben.</li></ul>
<ul style="list-style-type: none"><li>• Hűtőszekrény polc – alsó</li><li>• Hűtődoboz/fiók</li></ul>	<ul style="list-style-type: none"><li>• Nyers hús, szárnyasok, hal (rövid idejű tároláshoz)</li></ul>
Hűtőszekrény polc – középső	<ul style="list-style-type: none"><li>• Tejtermékek, tojás (A javasolt időn belül fogyassza el)</li></ul>
Hűtőszekrény polc – felső	<ul style="list-style-type: none"><li>• Az olyan ételek, amelyeket nem kell főzni, például tálalásra kész ételek, felvágottak, maradékok. (Csak 1–2 napig tárolja)</li></ul>
Fagyasztó fiók(ok)/polc	<ul style="list-style-type: none"><li>• Hosszú idejű tárolásra alkalmas ételek.</li><li>• Alsó fiók/polc a nyers hús, baromfi vagy hal számára. (Tárolási idő: 4 hónap)</li><li>• Középső fiók/polc a fagyasztott zöldségek, hasábburgonya számára. (Tárolási idő: 6 hónap)</li><li>• Felső fiók, polc a jégkrémek, fagyasztott gyümölcsök, fagyasztott pékáruk számára. (Tárolási idő: 2 hónap)</li></ul>



# CUPRINS:

1. INSTRUCȚIUNI DE SIGURANȚĂ	P. 105
2. SPECIFICAȚII TEHNICE	P. 108
3. DESCRIEREA PRODUSULUI	P. 108
4. INSTALARE	P. 109
5. UTILIZARE	P. 115
6. ÎNTREȚINERE ȘI CURĂȚARE	P. 116
7. REMEDIEREA DEFECȚIUNILOR	P. 118
8. GARANȚII	P. 121

## 1. INSTRUCȚIUNI DE SIGURANȚĂ

Înainte de a folosi acest produs, citiți cu atenție aceste instrucțiuni și păstrați manualul pentru o utilizare ulterioară.




Avertizare: Pericol de incendiu/materiale inflamabile!

1. Acest aparat este destinat a fi utilizat în aplicații casnice și similare, cum ar fi zonele de bucătărie pentru personalul din magazine, birouri și alte medii de lucru; fermelor și de către clienți în hoteluri, moteluri și alte medii de tip rezidențial; medii de tip pensiune; catering și aplicații similare non-retail.
2. Copii mici trebuie supravegheați pentru a vă asigura că nu se joacă cu aparatul de aer condiționat.
3. Dacă este deteriorat cablul de alimentare, acesta trebuie să fie înlocuit de către producător, de agentul de service sau de persoane cu calificare similară, pentru a se evita pericolele posibile.
4. Nu depozitați în acest aparat substanțe explozive precum recipientele de aerosoli cu agent de propulsie inflamabil.
5. Aparatul trebuie să fie deconectat de la priza electrică după utilizare și înainte de a efectua lucrările de întreținere a aparatului care sunt permise a fi efectuate de către utilizator.
6. AVERTIZARE: Păstrați deschiderile de ventilație din carcasa aparatului sau din structura încorporată, libere de orice obstrucție.
7. AVERTIZARE: Nu utilizați dispozitive mecanice sau alte mijloace pentru accelerarea procesului de dezghețare, altele decât cele recomandate de producător.
8. AVERTIZARE: Nu deteriorați circuitul de răcire.
9. AVERTIZARE: Nu utilizați aparate electrice în compartimentele aparatului destinate pentru depozitarea alimentelor, cu excepția cazului în care acestea sunt de tipul recomandat de producător.
10. Gazul de răcire R600a conținut în frigider este gaz natural. Acest gaz nu este dăunător pentru mediu, dar este combustibil. De aceea, este important să transportați și să instalați frigiderul cu atenție, astfel încât să nu deteriorați conductele frigiderului. Dacă apar scurgeri de gaze, evitați contactul cu flăcări sau focuri din apropiere și aerisiți camera.
11. Nu încercați niciodată să reparați frigiderul de unul singur, apelați la o persoană calificată sau la un centru de service autorizat pentru reparații.

RO

12. AVERTIZARE: Vă rugăm să eliminați frigiderul conform reglementărilor deoarece acesta utilizează gaz inflamabil și agent frigorific.
13. AVERTIZARE: Când poziționați acest aparat, asigurați-vă că cablul de alimentare nu este prins între alte obiecte sau deteriorat.
14. AVERTIZARE: Nu amplasați mai multe prize portabile sau surse de alimentare portabile în partea din spate a aparatului.
15. NU folosiți prelungitoare și adaptoare fără împământare (două contacte).
16. PERICOL: Risc de împiedicare pentru copil. Înainte de a arunca vechiul dvs. frigider sau congelator:
  - Scoateți ușile.
  - Lăsați rafturile la locul lor astfel încât copiii să nu poată pătrunde în interior cu ușurință.
17. Frigiderul trebuie deconectat de la sursa de alimentare cu energie înainte de instalarea accesoriilor.
18. Agentul frigorific și materialul de spumare ciclopentan utilizat pentru frigider sunt inflamabile. Prin urmare, atunci când casați frigiderul, acesta trebuie ținut la distanță de orice sursă de incendiu și trebuie preluat de către o companie specială de recuperare cu o calificare corespunzătoare, alta decât eliminarea prin combustie, astfel încât să se prevină deteriorarea mediului sau orice alte daune.
19. Pentru standardul EN: Acest aparat poate fi utilizat de copiii cu vârsta de cel puțin 8 ani și de persoane cu capacități fizice, senzoriale sau mentale reduse sau care nu au experiența și cunoștințele necesare, dacă sunt supravegheate sau au fost instruite cu privire la utilizarea aparatului în condiții de siguranță și înțeleg pericolele implicate. Copiii nu au voie să se joace cu acest aparat. Curățarea aparatului și întreținerea permisă pentru utilizator nu trebuie să fie efectuate de către copii decât sub supraveghere. Copiii cu vârste cuprinse între 3 și 8 ani pot încărca și descărca aparatele frigorifice.
20. În cazul ușilor și capacelor cu închizătoare și chei, cheile nu vor fi lăsate la îndemâna copiilor și în apropierea frigiderului, pentru a preveni blocarea copiilor în interiorul acestuia.
21. Pentru a evita contaminarea alimentelor, respectați următoarele instrucțiuni:
  - Deschiderea ușii pentru perioade lungi poate provoca o creștere semnificativă a temperaturii în compartimentele aparatului.
  - Curățați cu regularitate suprafețele care pot intra în contact cu alimentele și sistemele de drenare accesibile.
  - Curățați rezervoarele de apă dacă nu au fost folosite timp de 48 de ore: spălați sistemul de apă conectat la o sursă cu apă dacă apa nu fost extrasă timp de 5 zile. (Remarca 1)
  - Depozitați carnea crudă și peștele în recipiente adecvate la frigider, astfel încât să nu fie în contact cu sau să nu curgă pe alte alimente.
  - Compartimentele cu două stele pentru alimente congelate sunt potrivite pentru depozitarea alimentelor pre-congelate, depozitarea sau prepararea înghețatei și fabricarea cuburilor de gheață. (Remarca 2)
  - Compartimentele de una, două și trei stele nu sunt potrivite pentru congelarea alimentelor proaspete. (Remarca 3)
  - Dacă aparatul frigorific este lăsat gol timp îndelungat, opriți, dezghețați, curățați, uscați și lăsați ușa deschisă pentru a împiedica dezvoltarea mucegaiului în interiorul aparatului.
  - Pentru aparatele fără un compartiment cu 4 stele: acest aparat frigorific nu este adecvat pentru congelarea produselor alimentare. (Nota 4)
  - Remarca 1,2,3,4: Vă rugăm să confirmați dacă este aplicabil în funcție de tipul dvs. de compartiment pentru produse.
22. Pentru un aparat independent: acest aparat frigorific nu este destinat utilizării ca aparat încorporat.

23. Înlocuirea lămpilor cu LED-uri sau lucrările de întreținere a acestora trebuie să fie efectuate de producător, de agentul său de service sau de o persoană cu calificare similară.

24.  Marcajul acestui dispozitiv (simbolul unui coș de gunoi cu un x deasupra) este în conformitate cu Directiva europeană 2012/19/UE privind „echipamentele electrice și electronice uzate”. Acest marcaj înseamnă că acest echipament nu poate fi eliminat împreună cu alte deșeuri menajere la sfârșitul duratei sale de viață utile. Utilizatorul este obligat să îl predea operatorilor care colectează echipamente electrice și electronice uzate. Operatorii de colectare, inclusiv punctele de colectare locale, magazinele și autoritățile locale, creează un sistem adecvat pentru colectarea echipamentelor. Colectarea adecvată a echipamentelor electrice și electronice uzate contribuie la evitarea efectelor nocive asupra sănătății umane și a mediului, care rezultă din existența componentelor periculoase, precum și din depozitarea și tratarea necorespunzătoare a acestor echipamente.

### 1.1. AVERTISMENTE CU PRIVIRE LA ENERGIE

1. Este posibil ca frigiderul să nu funcționeze constant (posibilitate de dezghețare a produselor sau temperatura prea ridicată în compartimentul de alimente congelate) când sunt setate pentru o lungă perioadă de timp sub nivelul maxim de răcire al intervalului de temperaturi pentru care frigiderul a fost proiectat.
2. Rețineți că băuturile gazoase nu trebuie depozitate în compartimentele sau vitrinele pentru alimente sau în compartimentele sau vitrinele cu temperaturi scăzute, și că anumite produse cum ar fi cuburile de gheață nu trebuie consumate prea reci.
3. Nu depășiți perioada/ele de stocare recomandate de producătorii de alimente pentru niciun tip de aliment și în special pentru alimentele congelate rapid în congelator și din compartimentele sau vitrinele de depozitare a alimentelor congelate.
4. Luați toate măsurile necesare pentru a preveni creșterea necorespunzătoare a temperaturii alimentelor congelate pe durata dezghețării frigiderului, cum ar fi învelirea alimentelor congelate în câteva straturi de ziare.
5. Faptul că o creștere a temperaturii alimentelor congelate în timpul decongelării, întreținerii sau curățării manuale ar putea scurta durata de depozitare.

## 2. SPECIFICAȚII TEHNICE

Alimentare	220-240 V~, 50 Hz
Curentul nominal	0,5 A
Consumul de energie	176 kWh/a
Clasa de protecție	I
Clasa climatică	N/ST
Puterea nominală a lămpii	max. 2 W
Volum total	204 L
Volumul compartimentului pentru alimente proaspete	163 L
Volumul compartimentului cu patru stele	41 L
Refrigerant și cantitatea injectată	R600a/44g
Dimensiuni (L x l x H)	1430 x 550 x 550 mm
Greutate netă	37 kg

RO

## 3. DESCRIEREA PRODUSULUI

1. Raft
2. Termostat
3. Raft
4. Raft
5. Sertarul congelatorului
6. Tava ușii

## 4. INSTALARE

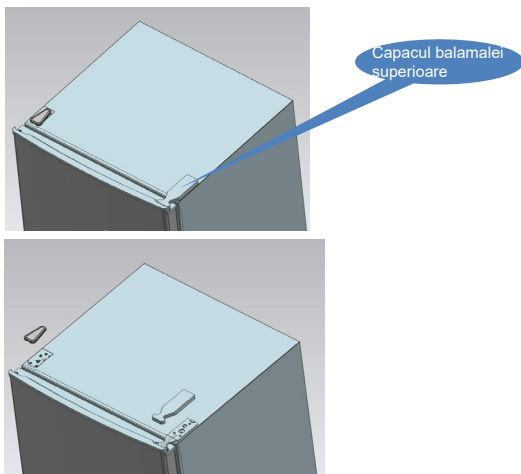
### 4.1. LOCUL DE INSTALARE

- Atunci când selectați o locație pentru aparatul dvs., asigurați-vă că podeaua este plată și fermă, iar încăperea este bine ventilată.
- Evitați instalarea aparatului în apropierea unei surse de căldură, de exemplu, aragaz, boiler sau radiator. De asemenea, evitați expunerea în lumina directă a soarelui, deoarece poate crește consumul de energie electrică.
- Temperaturile ambiante extrem de scăzute pot cauza, de asemenea, funcționarea necorespunzătoare a aparatului.
- Acest aparat nu este proiectat pentru a fi utilizat într-un garaj sau într-un spațiu în aer liber.
- Nu acoperiți aparatul cu niciun înveliș de protecție.
- Când instalați aparatul, asigurați-vă că lăsați un spațiu liber de 10 cm pe ambele părți, 10 cm în spate și 30 cm în partea de sus a acestuia. Acest lucru va permite aerului rece să circule în jurul răcorului și va îmbunătăți eficiența procesului de răcire.

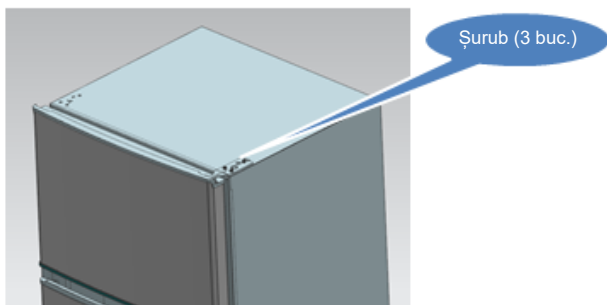
### 4.2. INVERSAREA BALANSĂRII UȘII (OPȚIONALĂ)

**Instrumente necesare:** Șurubelniță Phillips / Șurubelniță dreaptă / Cheie hexagonală

1. Scoateți capacul balamalei superioare.



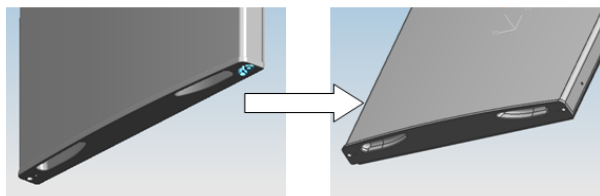
2. Scoateți șuruburile (care fixează balamaua superioară) cu o șurubelniță în cruce.



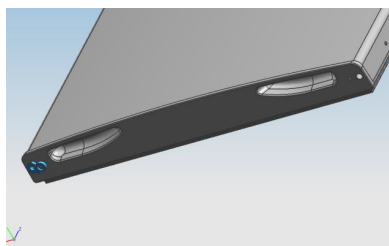
3. Puneți balamaua superioară, limitatorul ușii din partea de sus și bucșa rulmentului ușii pe cealaltă parte.
- a. Scoateți piulița cu manșonul. Scoateți șaiba, apoi mutați axele în cealaltă parte și fixați-le.



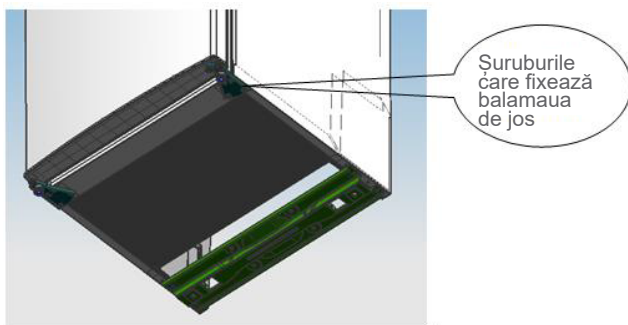
- b. Scoateți limitatorul ușii.



- c. Scoateți celălalt limitator al ușii (cu șurubul de montare pe ușă).

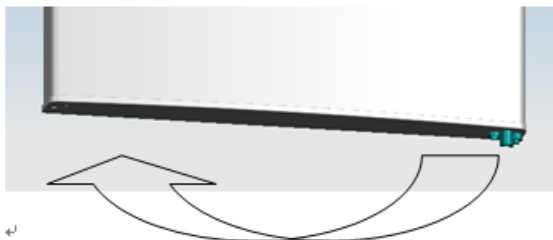


4. Scoateți șuruburile (care fixează balamaua de jos) cu o șurubelniță în cruce.

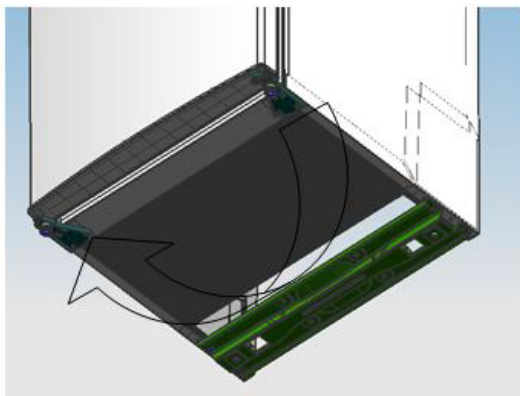


**Notă:** Unghiul maxim de înclinare al combinei frigorifice este de 45°.

5. Puneți bușa lagărului ușii de jos și limitatorul de ușă.



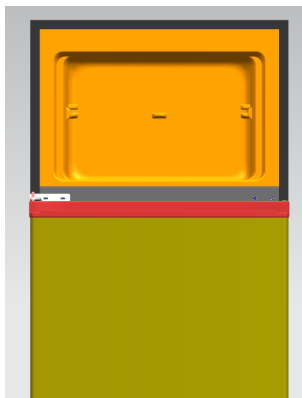
6. Puneți balamaua inferioară pe cealaltă parte, apoi fixați-o cu șuruburi.



7. Puneți balamaua din mijloc.

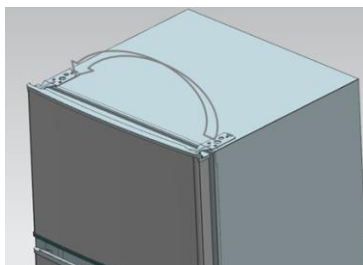


8. Ataşați ușa de jos în poziția corectă, apoi fixați balamaua din mijloc.

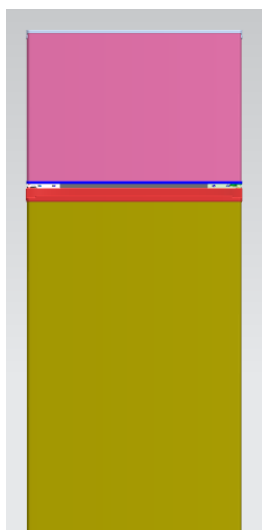


9. Puneți balamaua superioară.

RO

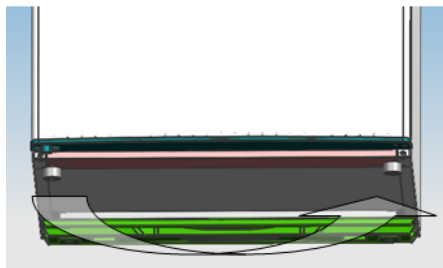


10. Ataşați ușa superioară în poziția corectă, apoi fixați balamaua superioară și capacul.





11. Instalați cele patru capace cu filet și cele două cleme în pozițiile corespunzătoare.
  - Asigurați-vă că dispozitivul este golit și este deconectat de la priza electrică.
  - Reglați cele două picioare de echilibrare în poziția cea mai înaltă.
  - Vă recomandăm să aveți pe cineva care să vă ajute.
12. Puneți nivelatorul pe cealaltă parte și reglați-l pentru a vă asigura că, cabinetul este la același nivel.



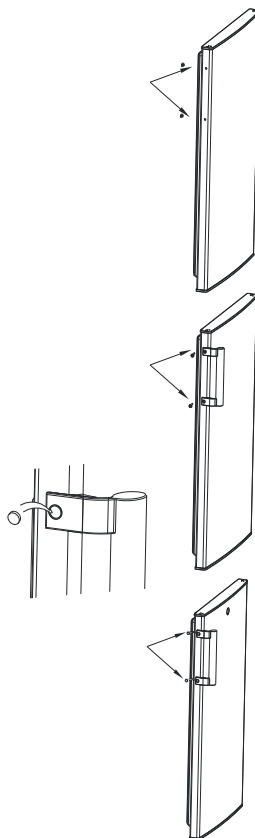
### 4.3. INSTALAREA MÂNERELOR UȘILOR (OPȚIONAL)

**Notă:** Imaginile din manualul de utilizare sunt numai pentru referință. Produsul real poate fi ușor diferit. Frigiderul trebuie deconectat de la sursa de alimentare electrică înainte de a începe instalarea accesoriilor.

Pasul 1: Scoateți două știfturi de legătură de pe ușă (pe partea deschisă a ușii).

Pasul 2: Montați mânerul ușii pe ușă și fixați-l cu șuruburi.

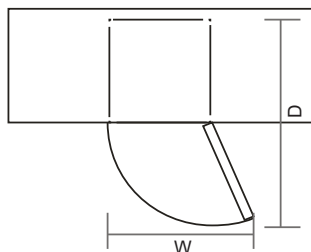
Pasul 3: Apăsați capacele cu filet ale mânerului în orificiile pentru șuruburi.



#### 4.4. CERINȚELE DE SPAȚIU PENTRU UȘĂ

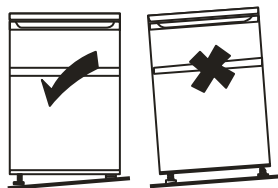
Ușa aparatului trebuie să se poată deschide complet, așa cum este indicat.

( $l \times A \geq 902 \times 1052 \text{ mm}$ )



#### 4.5. ECHILIBRAREA APARATULUI

Pentru a echilibra aparatul, reglați cele două picioare de nivelare din partea din față a acestuia. Dacă aparatul nu este echilibrat, alinierea ușilor și a garniturilor magnetice nu va fi acoperită corespunzător.



RO

Asigurați-vă că piciorul atinge solul înainte de utilizare. Priviți de sus în jos, reglați piciorul de nivelare spre dreapta sau spre stânga pentru a-l strânge sau a-l slăbi.

#### 4.6. CURĂȚAREA ÎNAINTE DE UTILIZARE

Ștergeți interiorul aparatului cu o soluție slabă de bicarbonat de sodiu. Apoi clătiți-l cu apă caldă folosind un burete sau o cârpă stoarsă. Spălați rafturile și recipientul pentru salată în apă caldă cu detergent și uscați-le complet înainte de a le introduce din nou în aparat. Curățați exteriorul aparatului cu o cârpă umedă.

Dacă aveți nevoie de mai multe informații, consultați secțiunea „ÎNTREȚINERE ȘI CURĂȚARE”.

#### 4.7. ÎNAINTE DE A FOLOSI APARATUL

- Nu deteriorați cablul de alimentare sub nicio formă pentru a asigura utilizarea în siguranță, nu îl utilizați când este deteriorat sau când ștecherul este uzat.
- Nu puneți în frigider obiecte inflamabile, explozive, volatile sau foarte corozive pentru a preveni astfel deteriorarea produsului sau incendiile.
- Nu așezați obiecte inflamabile lângă frigider, pentru a evita astfel producerea de incendii.
- Acest produs este un frigider de uz casnic și trebuie să fie folosit numai pentru depozitarea alimentelor. Conform standardelor naționale, frigiderul de uz casnic nu trebuie să fie utilizat în alte scopuri, precum pentru a păstra sânge, medicamente sau produse biologice.
- Nu introduceți în congelator obiecte precum recipientele îmbuteliate sau etanșate sau lichide precum berea sau băuturile îmbuteliate, pentru a preveni exploziile și alte deteriorări.
- Înainte de a introduce orice aliment în aparatul dvs., porniți-l și așteptați timp de 24 ore, pentru a vă asigura că funcționează corect și pentru a-i permite să scadă la temperatura corectă. Aparatul dvs. nu trebuie să fie excesiv de plin.



- Înainte de conectare  
Trebuie să verificați dacă aveți o priză de perete compatibilă cu ștecherul furnizat împreună cu aparatul.

- Înainte de pornire

Nu porniți aparatul decât la două ore după ce l-ați mutat.

## 4.8. ACCESORII DE INTERIOR

Aparatul dvs. Include mai multe rafturi de depozitare din sticlă sau plastic - în funcție de model, combinațiile sunt diferite.

Ar trebui să glišați întotdeauna unul dintre rafturile de depozitare din sticlă de dimensiuni complete în cel mai mic set de ghiduri, deasupra recipientelor de fructe și legume și să îl păstrați în această poziție. Pentru a face acest lucru, trageți raftul de depozitare înainte până când acesta poate fi deplasat în sus sau în jos și scos. Pentru a introduce raftul la o înălțime diferită, procedați la fel în ordine inversă.



Pentru a profita la maximum de volumul compartimentului de depozitare a alimentelor proaspete și al compartimentului de depozitare a alimentelor congelate, utilizatorul poate scoate din aparat unul sau mai multe rafturi, sertare, în funcție de utilizarea zilnică.

## 5. UTILIZARE

### 5.1. PORNIREA APARATULUI

- Rotiți butonul termostatului pentru a regla temperatura din interiorul frigiderului.  
Setarea „Min”: Temperatura nu este foarte scăzută  
Setarea „Mid”: Funcționare normală (adekvată pentru majoritatea situațiilor)  
Setarea „Max”: Temperatura cea mai scăzută  
Setarea „Oprit”: Când butonul de control al termostatului este setat la „Oprit”, frigiderul nu va funcționa.
- Când instalați un frigider pentru prima dată, setați butonul termostatului la „Mid”. Dați-i frigiderului timp să se răcească complet înainte de a introduce alimente. Este bine să așteptați 24 de ore înainte de a introduce alimente în acest aparat.
- În timpul temperaturilor ambiante ridicate (de exemplu, în zilele fierbinți de vară), poate fi necesar să setați termostatul la cea mai scăzută temperatură (poziția „Max”). Acest lucru poate cauza funcționarea continuă a compresorului pentru a menține o temperatură scăzută în cabinet.

### 5.2. ZGOMOT ÎN INTERIORUL APARATULUI

Puteți observa că aparatul dvs. emite niște zgomote neobișnuite. Cele mai multe dintre acestea sunt perfect normale, dar ar trebui să fiți conștienți de ele!  
Aceste zgomote sunt cauzate de circulația lichidului de răcire în sistemul de răcire. Acestea au devenit mai pronunțate o dată cu introducerea gazelor fără CFC. Aceasta nu este o defecțiune și nu va afecta performanțele aparatului. Prezența unui zgomot indică faptul că motorul compresorului funcționează, deoarece pompează agentul frigorific în jurul sistemului.

### 5.3. SFATURI PENTRU DEPOZITAREA ALIMENTELOR

- Carnea/peștele gătite trebuie să fie păstrate întotdeauna pe un raft de deasupra celui cu carne crudă/pește crud, pentru a evita astfel transmiterea bacteriilor. Păstrați carnea crudă/peștele crud într-un recipient care este suficient de mare pentru a colecta sucurile respective și a le acoperi corespunzător. Așezați acest container pe raftul cel mai de jos.
- Lăsați spațiu în jurul alimentelor, pentru a permite aerului să circule în interiorul unității. Asigurați-vă că toate părțile unității sunt păstrate la rece.
- Pentru a preveni transmiterea de mirosuri și uscarea, împachetați separat sau acoperiți separat alimentele. Fructele și legumele nu trebuie să fie înfășurate/înfoliate/impachetate.
- Lăsați întotdeauna alimentele pregătite să se răcească înainte de a le pune în unitate. Acest lucru va ajuta la menținerea temperaturii interne a unității.
- Pentru a preveni ieșirea aerului rece din unitate, încercați să limitați numărul de ori când deschideți ușa. Vă recomandăm să deschideți ușa doar când trebuie să introduceți sau să scoateți mâncare.

### 5.4. PĂSTRAREA ALIMENTELOR CONGELATE

- Toate alimentele congelate pe care le cumpărați trebuie introduse în congelator cât mai curând posibil, pentru a evita dezghețarea și deteriorarea acestora.
- Trebuie respectate întotdeauna toate recomandările de depozitare tipărite de producător pe ambalajul alimentelor congelate.
- Când utilizați congelatorul pentru prima dată sau după dezghețare, setați butonul termostatului în poziția maximă timp de cel puțin 2 ore înainte de introducerea alimentelor care urmează să fie depozitate, apoi reglați-l din nou în poziția normală.

### 5.5. SFATURI PENTRU ECONOMISIREA CONSUMULUI DE ENERGIE

- Instalați frigiderul sau congelatorul într-un loc răcoros, ferit de lumina directă a soarelui și la distanță de aragaz, încălzitoare, mașini de spălat vase sau orice alte obiecte care emit aer cald.
- Nu setați temperatura congelatorului la o valoare mai mică decât este necesar. Setați temperatura din interior în intervalul corect, de exemplu, reglați termostatul în poziția de mijloc -18°C în congelator.
- Lăsați alimentele gătite să se răcească în prealabil, înainte de a le introduce în frigider sau în congelator, pentru a preveni creșterea temperaturii din interiorul frigiderului.
- Mențineți congelatorul plin, dar nu supraîncărcat. Încercați să lăsați aproximativ 20% spațiu liber pentru circulația aerului.
- Pentru a împiedica evacuarea aerului rece, evitați să deschideți ușa des. Când vă întoarceți de la cumpărături, sortați alimentele care trebuie păstrate în congelator înainte de a deschide ușa acestuia. Deschideți ușa doar pentru a introduce sau a scoate alimentele.
- Asigurați-vă că garnitura ușii este curată și în stare bună. Ar trebui să țină o bucată de hârtie strâns în loc atunci când este închisă.
- Dezghețați aparatul în mod regulat sau când grosimea stratului de gheață depășește 5 mm. Stratul gros de gheață care acoperă părțile din interior crește semnificativ consumul de energie.
- Combinația de sertare, coșuri și rafturi prezentate în descrierea dispozitivului este optimă pentru economii eficiente de energie. Schimbarea combinației stabilite ar putea modifica eficiența.

Număr	TIP de compartimente	Temperatură de depozitare necesară [°C]	Alimente adecvate
1	Frigider	+2 ~ +8	Ouă, alimente gătite, alimente ambalate, fructe și legume, produse lactate, prăjituri, băuturi și alte alimente care nu sunt adecvate pentru congelare.
2	(***)*-Congelator	≤-18	Fructe de mare (pește, creveți, crustacee), produse acvatice de apă dulce și produse de carmangerie (recomandate pentru 3 luni, cu cât durata de depozitare este mai mare, cu atât gustul și calitatea nutrițională scade), adecvate pentru alimente proaspăt congelate.
3	***-Congelator	≤-18	Fructe de mare (pește, creveți, crustacee), produse acvatice de apă dulce și produse de carmangerie (recomandate pentru 3 luni, cu cât durata de depozitare este mai mare, cu atât gustul și calitatea nutrițională scade), adecvate pentru alimente proaspăt congelate.
4	** -Congelator	≤-12	Fructe de mare (pește, creveți, crustacee), produse acvatice de apă dulce și produse de carmangerie (recomandate pentru 3 luni, cu cât durata de depozitare este mai mare, cu atât gustul și calitatea nutrițională scade), adecvate pentru alimente proaspăt congelate.
5	*-Congelator	≤-6	Fructe de mare (pește, creveți, crustacee), produse acvatice de apă dulce și produse de carmangerie (recomandate pentru 3 luni, cu cât durata de depozitare este mai mare, cu atât gustul și calitatea nutrițională scade), adecvate pentru alimente proaspăt congelate.
6	0-stele	-6 ~ 0	„Carne proaspătă de porc, vită, pește, pui, anumite alimente ambalate procesate, etc. (Se recomandă consumarea în decursul aceleiași zile, de preferat nu mai mult de 3 zile).
7	Răcitor	-2 ~ +3	Carne de porc proaspătă/congelată, vită, pui, produse acvatice de apă dulce, etc. (7 zile la sub 0°C și peste 0°C se recomandă pentru consumul în decursul aceleiași zile, de preferat nu mai mult de 2 zile). Fructe de mare (sub 0 pentru 15 zile, nu se recomandă depozitarea la peste 0°C.

Notă: vă rugăm depozitați diferitele alimente în funcție de compartimente sau de temperatura de stocare necesară a alimentelor achiziționate.

## 6. ÎNTREȚINERE ȘI CURĂȚARE

### 6.1. DEZGHEȚAREA

**Notă:** Acest aparat nu are un sistem de dezghețare automată.

Vă rugăm să utilizați o lopată de plastic pentru gheață atunci când curățați gheața de

pa vaporizator. Nu folosiți obiecte metalice ascuțite.

## 6.2. CURĂȚAREA INTERIORULUI ȘI EXTERIORULUI APARATULUI

- Praful din spatele frigiderului și de pe sol trebuie curățat în timp util pentru a îmbunătăți efectul de răcire și economia de energie.
- Verificați în mod regulat garnitura ușii pentru a vă asigura că nu există resturi. Curățați garnitura ușii cu o cârpă moale umezită cu apă cu săpun sau detergent diluat.
- Pentru a evita mirosul neplăcut, interiorul frigiderului trebuie curățat regulat.
- Vă rugăm să opriți alimentarea înainte de a curăța interiorul, îndepărtați toate alimentele, băuturile, rafturile, sertarele etc.
- Utilizați o cârpă moale sau un burete pentru a curăța interiorul frigiderului, adăugați două linguri de bicarbonat de sodiu la un litru de apă caldă. Apoi clătiți cu apă și ștergeți. După curățare, deschideți ușa și lăsați-o să se usuce natural înainte de a porni funcționarea.
- Pentru zonele frigiderului care sunt greu de curățat (cum ar fi cele suprapuse, goluri sau colțuri înguste), se recomandă să le ștergeți în mod regulat cu o cârpă moale, perie moale etc. și, atunci când este necesar, combinat cu unele instrumente auxiliare (cum ar fi bețe subțiri) pentru a asigura absența contaminanților sau a acumulării de bacterii în aceste zone.
- Nu utilizați săpun, detergent, praf de curățare, spray de curățat etc., deoarece acestea pot provoca mirosuri în interiorul frigiderului sau pot contamina alimentele.
- Curățați cadrul sticlei, rafturile și sertarele cu o cârpă moale umezită cu apă cu săpun sau detergent diluat. Uscați cu o cârpă moale sau lăsați să se usuce în mod natural.
- Ștergeți suprafața exterioară a frigiderului cu o cârpă moale, umedă, cu apă cu săpun, detergent etc. și apoi ștergeți-o pentru a o usca.
- Nu utilizați perii dure, bile de oțel pentru curățare, perii de sârmă, agenți abrazivi (cum ar fi pasta de dinți), solvenți organici (cum ar fi alcoolul, acetona, uleiul de banane etc.), apă clocotită; substanțe acide sau alcaline, care pot deteriora exteriorul și interiorul frigiderului. Apa clocotită și solvenții organici, cum ar fi benzenul, pot deforma sau deteriora piesele din plastic.
- Nu clătiți direct cu apă sau alte lichide în timpul curățării pentru a evita scurtcircuiturile sau pentru a afecta izolația electrică după imersare.

## 6.3. SFATURI PENTRU CURĂȚARE

Pe suprafața interiorului aparatului poate apărea condens. Acest lucru poate fi cauzat de schimbarea temperaturii din încăpere. Ștergeți orice apă rămasă. Dacă problema persistă, contactați un tehnician calificat pentru asistență.

## 6.4. ÎNȚREȚINEREA

### Schimbarea becului din interior

Becul ar trebui înlocuit numai de un tehnician calificat.

### Aveți grijă când manipulați/mutați aparatul

Țineți aparatul de margini sau de partea de bază atunci când îl mutați. În nici un caz nu ar trebui ridicat de marginile suprafeței superioare.

### Lucrări de service

Lucrările de service asupra aparatului trebuie executate de un inginer autorizat și trebuie utilizate numai piese de schimb originale. În niciun caz nu trebuie să încercați să reparați aparatul de unul singur. Reparațiile efectuate de persoane fără experiență pot cauza vătămări corporale sau defecțiuni grave. Contactați un tehnician calificat.

### Oprirea pentru perioade lungi de timp

Atunci când aparatul nu este utilizat o perioadă lungă de timp, deconectați-l de la sursa

de alimentare, scoateți toate alimentele și curățați aparatul, lăsând ușa deschisă pentru a preveni mirosurile neplăcute.

## 7. REMEDIEREA DEFECȚIUNILOR

Puteți încerca să rezolvați singur următoarele probleme simple. Dacă nuDacă nu pot fi rezolvate, vă rugăm să contactați departamentul post-vânzare.

Problemă	Soluție recomandată
Operație eșuată	<ul style="list-style-type: none"> <li>• Verificați dacă frigiderul este conectat la alimentarea electrică,</li> <li>• Joasă tensiune;</li> <li>• Verificați dacă există o pană de curent sau dacă s-au declanșat circuite parțiale.</li> </ul>
Miros	<ul style="list-style-type: none"> <li>• Alimentele care miros trebuie ambalate în siguranță;</li> <li>• Verificați dacă alimentele s-au alterat;</li> <li>• Verificați dacă interiorul frigiderului trebuie curățat.</li> </ul>
Funcționare îndelungată a compresorului	<ul style="list-style-type: none"> <li>• Este normal ca frigiderul să funcționeze mai mult timp în timpul verii, când temperatura ambiantă este mai ridicată;</li> <li>• Nu puneți prea multe alimente în congelator o dată;</li> <li>• Nu puneți alimentele în frigider decât după ce s-au răcit;</li> <li>• Evitați deschiderea frecventă a ușii frigiderului.</li> </ul>
Lumina nu se aprinde	<ul style="list-style-type: none"> <li>• Verificați dacă frigiderul este conectat la sursa de alimentare cu energie electrică;</li> <li>• Verificați dacă becul este defect;</li> <li>• Chemați un specialist pentru a-l înlocui dacă este deteriorat.</li> </ul>
Ușa frigiderului nu poate fi închisă corespunzător.	<ul style="list-style-type: none"> <li>• Ușa este blocată de pachetele de alimente;</li> <li>• Ați introdus prea multe alimente;</li> <li>• Frigiderul stă înclinat.</li> </ul>
Zgomot puternic	<ul style="list-style-type: none"> <li>• Verificați dacă alimentele sunt așezate corect și dacă frigiderul este echilibrat;</li> <li>• Verificați dacă piesele frigiderului sunt atașate corespunzător.</li> </ul>

Sfaturi:

- Carcasa frigiderului poate emite căldură în timpul funcționării, în special în timpul verii, acest lucru este cauzat de radiația condensatorului și este un fenomen normal.
- Condensul: fenomenul de condensare va fi detectat pe suprafața exterioară și pe garniturile ușilor congelatorului atunci când umiditatea ambiantă este ridicată, acesta este un fenomen normal, iar condensul poate fi șters cu un prosop uscat.
- Zgomotul va fi generat de funcționarea compresorului, în special la pornirea sau oprirea acestuia.

**Tabelul 1 Clasele climatice**

Clasa	Simbol	Interval de temperatură ambiantă (°C)
Temperat extins	SN	de la + 10 la + 32
Temperat	N	de la + 16 la + 32
Subtropical	ST	de la + 16 la + 38
Tropical	T	de la + 16 la + 43

Temperată extinsă: acest aparat frigorific este destinat utilizării la temperaturi ambiante cuprinse între 10 °C și 32 °C;

Climat temperat: acest aparat frigorific este destinat utilizării la temperaturi ambiante cuprinse între 16 °C și 32 °C;

Subtropicală: acest aparat frigorific este destinat utilizării la temperaturi ambiante cuprinse între 16 °C și 38 °C;

Tropicală: acest aparat frigorific este destinat utilizării la temperaturi ambiante cuprinse între 16 °C și 43 °C;

Piesele comandate din tabelul următor pot fi achiziționate de la canal \_\_\_\_\_:

RO

Piesa comandată	Furnizată de	Timp minim necesar pentru furnizare
termostate	Personal profesionist în întreținere	La cel puțin 7 ani de la lansarea pe piață a ultimului model
senzori de temperatură	Personal profesionist în întreținere	La cel puțin 7 ani de la lansarea pe piață a ultimului model
plăci de circuite imprimate	Personal profesionist în întreținere	La cel puțin 7 ani de la lansarea pe piață a ultimului model
surse de lumină	Personal profesionist în întreținere	La cel puțin 7 ani de la lansarea pe piață a ultimului model
mânerele ușilor	Reparatori profesioniști și utilizatori finali	La cel puțin 7 ani de la lansarea pe piață a ultimului model
balamale de ușă	Reparatori profesioniști și utilizatori finali	La cel puțin 7 ani de la lansarea pe piață a ultimului model
tăvi	Reparatori profesioniști și utilizatori finali	La cel puțin 7 ani de la lansarea pe piață a ultimului model
coșuri	Reparatori profesioniști și utilizatori finali	La cel puțin 7 ani de la lansarea pe piață a ultimului model
garniturile usii	Reparatori profesioniști și utilizatori finali	La cel puțin 10 ani de la lansarea pe piață a ultimului model

Dragă client,

1. Dacă doriți să returnați sau să înlocuiți produsul, vă rugăm să contactați magazinul de unde cumpărați.  
(Nu uitați să luați cu dvs. factura de achiziție)
2. Dacă produsul dumneavoastră funcționează defectuos și necesită reparații, vă rugăm să contactați furnizorul de servicii post-vânzare.

## Fișă tehnică a produsului conform (EU) 2019/2019

Fișă tehnică a produsului pentru aparatul dvs. poate fi găsită online, dacă doriți să descărcați o copie.

Accesați <https://eprel.ec.europa.eu/> și introduceți identificatorul de model pentru aparatul dvs. pentru a descărca fișa de date.

Identificatorul de model pentru aparatul dvs. poate fi găsit pe plăcuța cu date tehnice din spatele/interiorul aparatului.

### Amplasați alimentele în compartimente diferite, conform tabelului de mai jos:

	Tip de alimente
Ușa sau rafturile balcon ale compartimentului de frigider	<ul style="list-style-type: none"><li>Alimente cu conservanți naturali precum gemuri, sucuri, băuturi și condimente. (A se utiliza în 1-2 zile)</li><li>Nu depozitați alimente perisabile.</li></ul>
Sertar pentru legume (sertar pentru salată)	<ul style="list-style-type: none"><li>Fruitele, verdețurile și legumele trebuie amplasate separat în sertarul de legume. (A se utiliza în 1-2 zile)</li><li>Nu păstrați în frigider banane, cartofi, ceapă sau usturoi nu trebuie păstrate la frigider</li></ul>
<ul style="list-style-type: none"><li>Raft frigider - inferior</li><li>Sertar răcitor (cutie/ sertar)</li></ul>	<ul style="list-style-type: none"><li>Carne crudă, carne de pui, pește (pentru depozitare pe termen scurt)</li></ul>
Raft de frigider - mijloc	<ul style="list-style-type: none"><li>produse lactate, ouă (A se utiliza în decursul perioadei recomandate)</li></ul>
Raft frigider - superior	<ul style="list-style-type: none"><li>Alimente care nu necesită gătire, precum alimentele gata preparate, mezelurile, resturile alimentare (a se păstra numai 1-2 zile)</li></ul>
Sertar(e)/raft de congelator	<ul style="list-style-type: none"><li>Alimente pentru depozitare pe termen lung.</li><li>Sertarul/raftul de jos pentru carne crudă, carne de pasăre și pește. (Durată de depozitare 4 luni)</li><li>Sertarul/raftul mijlociu pentru legume congelate, chipsuri. (Durată de depozitare 6 luni)</li><li>Sertarul/raftul de sus pentru înghețată, fructe congelate, preparate de patiserie congelate. (Durată de depozitare 2 luni)</li></ul>



## 8. GARANȚII

### Garanții și limite de responsabilitate

Garanția Qilive este o garanție comercială oferită de către SAS OIA, cu sediul în strada Rue de la Recherche, nr. 200, 59650 Villeneuve d'Ascq, produselor marca Qilive, în calitate de producător.

Garanția Qilive se aplică fără a prejudicia drepturile de beneficiar, în mod gratuit, din garanția legală de conformitate în vigoare în țările de comercializare. Pentru informații suplimentare referitoare la garanția legală de conformitate, vă rugăm să consultați Condițiile generale de vânzare (CGV) ale distribuitorului.

Ce este acoperit de garanția Qilive?

O garanție Qilive acoperă repararea sau înlocuirea aparatului dumneavoastră Qilive cu unul cu funcționalități echivalente dacă acesta se dovedește a fi defect din cauza unei probleme de materiale sau de fabricație, în perioada acoperită de garanție. Produsele reparate sau schimbate pot include componente și echipamente noi și/sau recondiționate.

Dacă produsul nu poate fi nici reparat, nici înlocuit, Qilive va rambursa cumpărătorul la prețul de cumpărare menționat pe dovada plății.

Ce nu este acoperit de o garanție Qilive?

Aparatele Qilive sunt concepute și produse pentru a oferi performanțe îmbunătățite în mod continuu, într-un mediu casnic normal. Dacă un aparat Qilive este folosit conform utilizării prevăzute și dacă acesta se defectează în timpul perioadei de garanție, este responsabilitatea noastră să-l reparăm sau să-l înlocuim.

Totuși, în unele circumstanțe, garanția Qilive nu acoperă repararea sau înlocuirea unui aparat. Aceste circumstanțe sunt clar specificate. Cazurile neacoperite de garanție sunt următoarele:

- Uzura normală, inclusiv estetică (de ex., zgârieturi, umflături sau acte de vandalism) și piesele care se pot uza în timp (de ex., siguranțe, coroziune, pneu, frână, filtre, etc.).
- Daune sau probleme provocate de o utilizare incorectă sau neconformă cu plăcuța tehnică sau cu manualul de utilizare, un accident, o alterare.
- Daune cauzate de nerespectarea recomandărilor de întreținere ale aparatului.
- Utilizarea sau depozitarea neconforme pentru buna conservare a aparatului (oxidare, coroziune), utilizarea de energie, folosirea sau o instalare neconforme cu prevederi producătorului sau neglijențe sau o utilizare a dispozitivelor periferice, a programelor informatice sau a produselor consumabile nepotrivită.
- Utilizarea profesională, colectivă, industrială, comercială a produsului sau în alte scopuri decât cele casnice normale în țara din care produsul a fost achiziționat.

În țara din care produsul a fost achiziționat.

- Daune cauzate de surse externe precum transportul, intemperiiile, paneele de electricitate sau supratensiunile.
- Produsele modificate, cele al căror sigiliu de garanție sau număr de serie au fost deteriorate, alterate, șterse sau oxidate.

- Daunele cauzate de orice intervenție efectuată de o persoană neautorizată.
- Actualizarea programului informatic datorate modificării parametrilor de rețea.
- Daunele provenite de la elemente din afara dispozitivului (corpuri străine, insecte etc.)
- Conținutul aparatelor - congelator, mașină de spălat rufe... (produse alimentare, îmbrăcăminte,...)
- Defecțiuni ale produsului cauzate de utilizarea unor programe informatice terțe pentru a modifica, schimba, adapta sau altera programul informatic existent.
- Defecțiuni ale produsului cauzate de utilizarea fără accesoriile furnizate împreună cu produsul sau aprobate de Qilive.

Cientul își va asuma răspunderea efectuării constante de copii de rezervă ale datelor conținute pe hard-disk sau în memoria internă a dispozitivului său, înainte de orice returnare a produsului.

Qilive nu poate fi considerat responsabil de pierderea sau distrugerea datelor stocate sau de daune aduse programelor informatice consecutive, în special unei restaurări sau avarii.

De asemenea, Qilive nu este obligat să verifice dacă utilizatorul a scos cartela S M/SD din aparat în cazul produselor returnate.

Care sunt modalitățile de aplicare ale garanției?

Modalitățile de aplicare ale garanției Qilive sunt următoarele:

Garanția intră în vigoare la data cumpărării (sau la data de livrare dacă aceasta este ulterioară).

Trebuie să furnizați o dovadă a livrării/cumpărării înainte de orice intervenție asupra aparatelor aflate în garanție. Rețineți faptul că fără această dovadă, orice intervenție efectuată va fi facturată. Vă recomandăm să păstrați bonul de cumpărare sau de livrare.

Orice intervenție va fi efectuată de Qilive sau de agenții săi autorizați.

Orice piesă înlocuită devine proprietatea Qilive.

Garanția oferă avantaje care se adaugă drepturilor dumneavoastră legale, în calitate de consumator și nu au nicio incidență asupra acestora.

Cum se poate utiliza garanția Qilive?

Pentru a solicita repararea sau înlocuirea produsului sub garanție Qilive, pentru toate țările alta decât Franța, duceți produsul la centrul de primire al locului de la care l-ați cumpărat, având asupra dumneavoastră dovada cumpărării (precum bonul de casă), produsul și accesoriile sale, inclusiv cele necesare bunei sale funcționări (cablu de alimentare, adaptor, etc.) în ambalajul original. Pentru o luare în primire în Franța, vă invităm să completați solicitarea pe site-ul nostru: <https://auth.sav-login.auchan.fr>. Este important să prezentați următoarele informații: data achiziției, modelul și numărul de serie sau numărul IMEI (aceste informații se găsesc, de obicei, pe produs, ambalaj sau pe dovada achiziției).

Când intră garanția în vigoare?

Garanția Qilive intră în vigoare la data cumpărării sau a livrării aparatului, data cea mai târzie fiind reținută.

Produsul dumneavoastră este garantat de Qilive 3 ani, piese și manoperă.

Garantiile Qilive sunt transferabile?

Garantiile Qilive sunt transferabile împreună cu aparatul, cu condiția ca dovada de cumpărare originală a unui vânzător recunoscut să fie furnizată, dar și dovada oricărei schimbări de proprietate asupra aparatului, confirmând buna stare de funcționare a aparatului atunci când schimbarea de proprietar a intervenit.

RO

# ОБЗОР СОДЕРЖАНИЯ:

1. ПРАВИЛА ТЕХНИКИ БЕЗОПАСНОСТИ	С. 122
2. ТЕХНИЧЕСКИЕ ХАРАКТЕРИСТИКИ	С. 125
3. ОПИСАНИЕ ИЗДЕЛИЯ	С. 125
4. УСТАНОВКА	С. 126
5. ЭКСПЛУАТАЦИЯ	С. 132
6. ТЕХНИЧЕСКОЕ ОБСЛУЖИВАНИЕ И ОЧИСТКА	С. 134
7. ПОИСК И УСТРАНЕНИЕ НЕИСПРАВНОСТЕЙ	С. 136
8. ГАРАНТИИ	С. 139

## 1. ПРАВИЛА ТЕХНИКИ БЕЗОПАСНОСТИ

Перед использованием этого изделия внимательно прочтите инструкции ниже и сохраните руководство пользователя для дальнейшего использования.



Внимание: риск возгорания / легковоспламеняющиеся материалы!

1. Данный прибор предназначен для использования в бытовых и схожих условиях, таких как: кухонные зоны для персонала в магазинах, офисах и прочих рабочих помещениях; дачные дома и постояльцами в гостиницах, отелях и прочих местах проживания; мини-гостиницы; предприятия общественного питания и другие места, не связанные с розничной торговлей.
2. Необходимо следить, чтобы дети не играли с прибором.
3. Если шнур питания поврежден, то во избежание опасности он должен быть заменен представителем производителя или его официального сервиса, либо лицом, обладающим надлежащей квалификацией.
4. Не храните внутри устройства взрывоопасные вещества (например, баллоны с легковоспламеняющимся топливом).
5. Отключайте этот прибор от электросети после использования и перед проведением технического обслуживания.
6. **ВНИМАНИЕ:** Не загораживайте вентиляционные отверстия в корпусе прибора и в отдельных его деталях.
7. **ВНИМАНИЕ:** Не используйте механические устройства или иные средства для ускорения процесса размораживания, не рекомендованные производителем.
8. **ВНИМАНИЕ:** Берегите электрические цепи холодильника от повреждений.
9. **ВНИМАНИЕ:** Не пользуйтесь электроприборами внутри отсеков для хранения продуктов, если тип этих приборов отличается от рекомендованного производителем.
10. Газообразный хладагент R600a, используемый в этом холодильнике, является природным газом. Он безопасен для окружающей среды, однако взрывоопасен. В связи с этим важно соблюдать осторожность при транспортировке и установке холодильника, чтобы не повредить заполненные хладагентом трубы. В случае утечки газа не допускайте его контакта с источниками огня и проветрите помещение.
11. Никогда не пытайтесь выполнить ремонт холодильника самостоятельно. Привлекайте для этой цели исключительно квалифицированных или авторизованных обслуживающих специалистов.

12. **ВНИМАНИЕ:** Утилизируйте холодильник согласно требованиям местных регулирующих органов, поскольку он содержит легковоспламеняющийся хладагент.
13. **ВНИМАНИЕ:** Размещая этот прибор в помещении, убедитесь, что кабель питания не зажат и не поврежден.
14. **ВНИМАНИЕ:** Не размещайте многоместные розетки или переносные источники питания сзади прибора.
15. Не используйте удлинители или незаземленные адаптеры-штекеры (с двумя штифтами).
16. **ОПАСНОСТЬ!** Дети могут закрыться внутри. Перед тем как выкинуть старый холодильник или морозильную камеру выполните следующее:
  - Снимите дверцы.
  - Оставьте полки на месте, чтобы дети не могли легко забраться внутрь.
17. Перед установкой аксессуаров холодильник необходимо отключить от сети.
18. Хладагент и циклопентановый пенящийся материал, используемые в холодильнике, являются легковоспламеняющимися. Поэтому при утилизации холодильник должен находиться вдали от источников возгорания. Восстановление должно осуществляться специальной компанией по восстановлению соответствующей квалификации. Утилизация не должна осуществляться за счет сжигания во избежание нанесения вреда окружающей среде или какого-либо другого ущерба.
19. Для стандарта EN: прибор разрешается эксплуатировать детям от 8 лет и старше, лицам с ограниченными физическими, сенсорными или умственными возможностями, а также лицам, не обладающим достаточным опытом и знаниями, только под присмотром или после прохождения инструктажа о порядке безопасной эксплуатации прибора и сопутствующих рисках. Детям запрещается играть с прибором. Очистка и обслуживание прибора детьми допускаются только под надзором. Детям от 3 до 8 лет разрешено помещать продукты в холодильник и извлекать их оттуда.
20. Если дверцы или крышки оснащены замками и ключами, храните ключи в недоступном для детей месте и не оставляйте их рядом с устройством, чтобы предотвратить закрытие детей внутри.
21. Во избежание загрязнения пищи соблюдайте следующие инструкции:
  - Открытие дверцы на длительное время может привести к значительному повышению температуры в отсеках холодильника.
  - Регулярно очищайте поверхности, соприкасающиеся с пищей и дренажными системами.
  - Производите чистку емкостей для воды, если они не использовались в течение 48 часов: если вода не использовалась в течение 5 дней, промойте систему подачи воды, подключенную к водопроводу. (Примечание 1)
  - Храните сырое мясо и рыбу в подходящих контейнерах, чтобы они не соприкасались с другими продуктами.
  - Отсеки для замороженных продуктов, помеченные двумя звездочками, пригодны для хранения предварительно замороженных продуктов, хранения или приготовления мороженого и кубиков льда. (Примечание 2)
  - Отсеки, помеченные одной, двумя или тремя звездочками, непригодны для замораживания свежих продуктов. (Примечание 3)
  - Если холодильник остается пустым на длительное время, выключите его, разморозьте, вымойте, высушите и оставьте дверцу открытой, чтобы предотвратить образование плесени внутри.
  - Для устройств, не оснащенных отсеком с четырьмя звездочками: данное устройство не предназначено для замораживания пищевых продуктов (примечание 4).
  - Примечание 1, 2, 3, 4: проверьте, применимо ли примечание к типу отделений вашего изделия.

22. Для отдельностоящего устройства: данное холодильное устройство не предназначено для эксплуатации в качестве встроенной модели.
23. Замена или техническое обслуживание светодиодных ламп должны осуществляться производителем, его агентом по техническому обслуживанию или лицом аналогичной квалификации.
24.  Маркировка устройства (символ перечеркнутой мусорной корзины) отвечает европейской директиве 2012/19/EU, относящейся к «лому электрического и электронного оборудования». Эта маркировка означает, что оборудование в конце срока службы нельзя утилизировать с бытовым мусором. Пользователь обязан сдать его операторам, занимающимся сбором использованного электрического и электронного оборудования. Операторы по сбору, в том числе местные пункты приема, цеха и местные власти, создают подходящую систему для сбора оборудования. Надлежащий сбор использованного электрического и электронного оборудования помогает избежать вредного влияния на здоровье людей и окружающую среду, которое может возникать из-за наличия опасных компонентов, а также из-за нарушения правил хранения оборудования и обращения с ним.

### 1.1. ПРЕДУПРЕЖДЕНИЯ ПО ЭНЕРГИИ

1. Длительное воздействие чрезмерно низких температур на холодильное устройство, на которые оно не было рассчитан, может привести к нестабильной работе устройства (возможно размораживание содержимого или чрезмерно высокая температура в отсеке для замороженных продуктов питания).
2. Не храните шипучие напитки в морозильном отсеке или шкафу для пищевых продуктов, а также в низкотемпературном отсеке или шкафу. Кроме того, не употребляйте некоторые продукты, например фруктовое мороженое, слишком холодными.
3. Не превышайте рекомендованные производителями сроки хранения любых продуктов питания, особенно быстро замороженных в промышленных условиях продуктов питания, которые хранятся в морозильниках, отсеках или шкафах для замороженных продуктов.
4. Чтобы предотвратить чрезмерное повышение температуры замороженных продуктов питания при разморозке холодильника, следует принять следующие меры, например завернуть замороженные продукты в несколько слоев газеты.
5. В противном случае повышение температуры замороженных продуктов во время ручной разморозки, технического обслуживания или чистки может сократить срок их хранения.

## 2. ТЕХНИЧЕСКИЕ ХАРАКТЕРИСТИКИ

Источник питания	220–240 В~, 50 Гц
Номинальная сила тока	0,5 А
Энергопотребление	176 кВт·ч/г
Класс защиты	I
Климатический класс	N/ST
Номинальная мощность лампы	макс. 2 Вт
Общий объем	204 л
Объем отделения для свежих продуктов	163 л
Объем отделения с 4 звездочками	41 л
Хладагент и объем подачи	R600a/44 г
Размеры (В х Д х Ш)	1430 х 550 х 550 мм
Масса нетто	37 кг

## 3. ОПИСАНИЕ ИЗДЕЛИЯ

- |                   |                              |
|-------------------|------------------------------|
| 1. Полка          | 4. Полка                     |
| 2. Терморегулятор | 5. Ящик для овощей и фруктов |
| 3. Полка          | 6. Дверная полка             |

RU

## 4. УСТАНОВКА

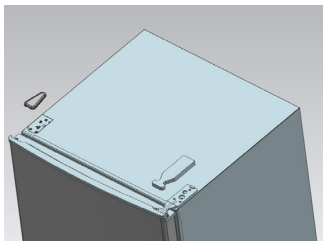
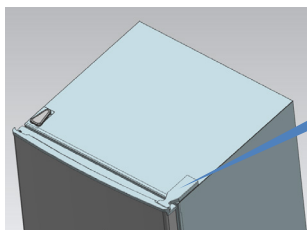
### 4.1. РАСПОЛОЖЕНИЕ

- Устройство должно быть установлено в хорошо проветриваемом помещении, на ровном и твердом полу.
- Не устанавливайте устройство рядом с источником тепла, например плитой, котлом или батареей. Также избегайте воздействия прямых солнечных лучей, поскольку это может увеличить энергопотребление.
- К сбоям в работе устройства также могут привести экстремально низкие температуры окружающей среды.
- Данное устройство не предназначено для использования в гараже или на открытом воздухе.
- Не накрывайте устройство.
- При установке устройства свободное пространство с обеих сторон должно составлять по 10 см, 10 см сзади и 30 см сверху. Это позволит холодному воздуху циркулировать вокруг охладителя вина и повысит эффективность охлаждения.

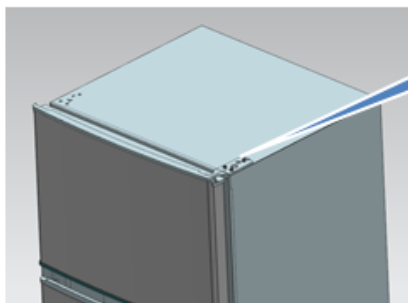
### 4.2. ПЕРЕНАВЕСКА ДВЕРИ (ОПЦИОНАЛЬНО)

**Необходимые инструменты:** Крестовая отвертка / плоская шлицевая отвертка / ключ-шестигранник

1. Снимите крышку верхней петли.



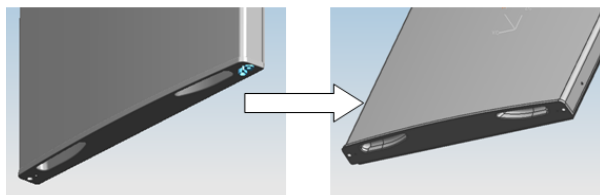
2. Выверните винты (фиксирующие верхнюю петлю) с помощью крестовой отвертки.



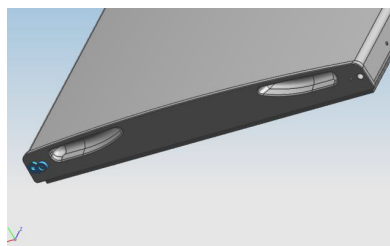
3. Установите верхнюю петлю, упор верхней дверцы и подшипник на другую сторону.
- a. Снимите гайку вместе со втулкой. Снимите шайбу, затем переместите оси на другую сторону и зафиксируйте их.



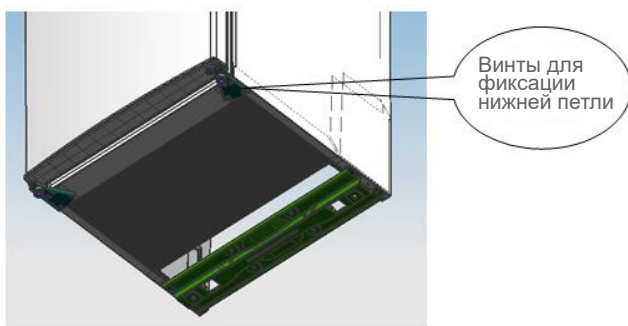
- b. Снимите упор дверцы.



- c. Извлеките другой упор (с винтовым креплением к дверце).

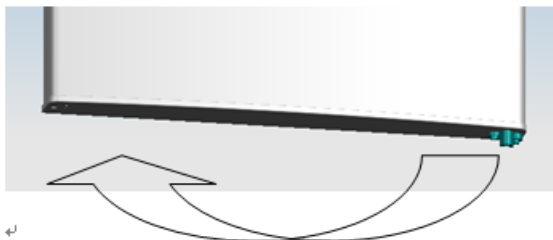


4. Выверните винты (фиксирующие нижнюю петлю) с помощью крестовой отвертки.

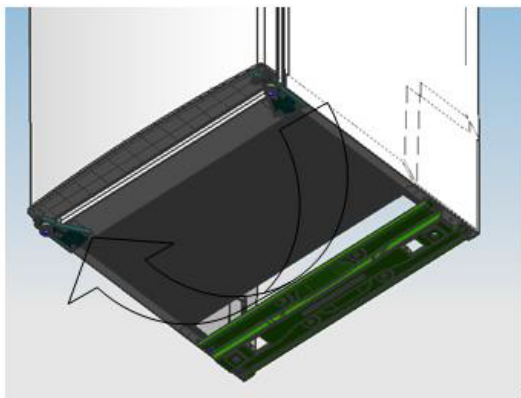


**Примечание:** Максимальный угол наклона холодильника с морозильной камерой составляет 45°.

5. Замените подшипник и упор нижней дверцы.



6. Установите нижнюю петлю на другую сторону, затем закрепите ее винтами.

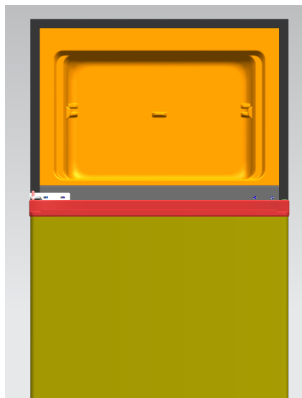


7. Замените среднюю петлю.

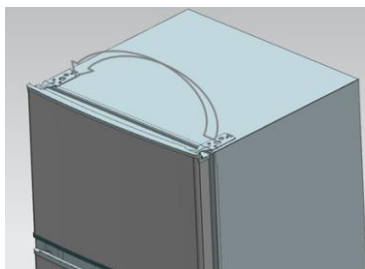




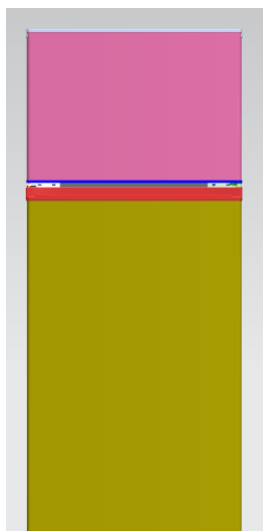
8. Установите нижнюю дверцу в нужное положение, а затем закрепите среднюю петлю.



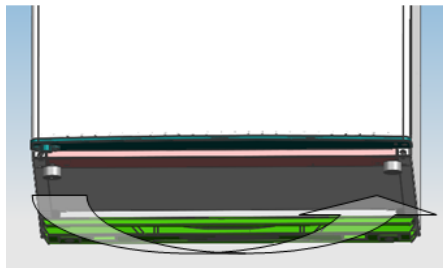
9. Замените верхнюю петлю.



10. Установите верхнюю дверцу в нужное положение, а затем закрепите верхнюю петлю и крышку.



11. Установите четыре винтовых заглушки и два фиксатора в соответствующие положения.
  - Убедитесь, что устройство отключено от электросети и его камеры пусты.
  - Установите две регулируемые ножки в самое высокое положение.
  - Рекомендуем привлечь помощь второго человека.
12. Установите уровень на другой стороне и отрегулируйте устройство так, чтобы корпус располагался на одном уровне.



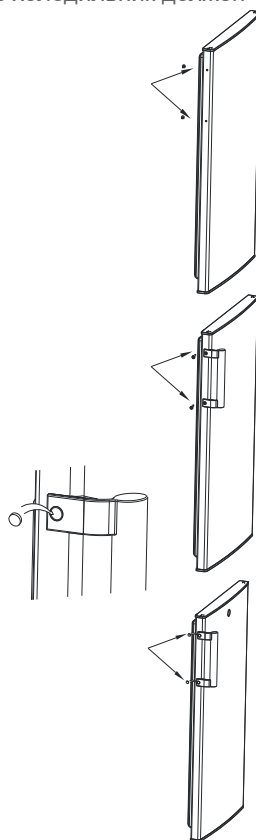
### 4.3. УСТАНОВКА ДВЕРНЫХ РУЧЕК (ОПЦИОНАЛЬНО)

**Примечание:** Иллюстрации в руководстве по эксплуатации приведены исключительно в справочных целях. Фактический внешний вид устройства может незначительно отличаться. Перед установкой аксессуаров холодильник должен быть отключен от источника электропитания.

Шаг 1. Извлеките два штыря из дверцы (со стороны открытой дверцы).

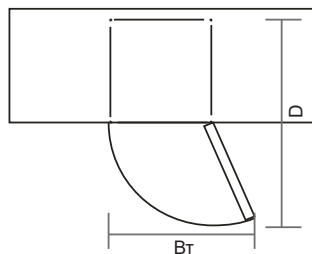
Шаг 2. Установите ручку на дверце и закрепите ее винтами.

Шаг 3. Зафиксируйте винтовые заглушки в соответствующих отверстиях на ручке.



#### 4.4. ТРЕБОВАНИЯ К ПРОСТРАНСТВУ ДЛЯ ДВЕРЦЫ

Дверца устройства должна полностью открываться, как показано на рисунке.  
(Ш × Г ≥ 902 × 1052 мм)

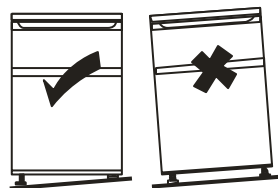


#### 4.5. ВЫРАВНИВАНИЕ УСТРОЙСТВА

Чтобы выровнять положение устройства, отрегулируйте две передние ножки. Если устройство стоит неровно, его дверца и магнитный уплотнитель не будут закрываться герметично.

Перед использованием убедитесь, что ножки касаются пола.

Посмотрите на устройство сверху. Поверните регулируемую ножку по часовой стрелке или против нее, чтобы затянуть ее или ослабить.



RU

#### 4.6. ОЧИСТКА ПЕРЕД ИСПОЛЬЗОВАНИЕМ

Протрите внутреннюю поверхность устройства слабым раствором гидрокарбоната. Затем промойте теплой водой, используя отжатую губку или ткань. Вымойте полки и контейнер для салата в теплой воде с мылом и полностью высушите перед установкой на место. Протрите внешнюю поверхность устройства влажной тканью.

Дополнительную информацию см. в разделе "ТЕХНИЧЕСКОЕ ОБСЛУЖИВАНИЕ И ОЧИСТКА".

#### 4.7. ПЕРЕД ИСПОЛЬЗОВАНИЕМ УСТРОЙСТВА

- Для обеспечения безопасной эксплуатации не повреждайте шнур питания и не используйте его при повреждениях или износе вилки.
- Не храните в холодильнике легковоспламеняющиеся, взрывоопасные, летучие и коррозионно-активные вещества во избежание повреждения или возгорания этого прибора.
- Не размещайте легковоспламеняющиеся предметы рядом с холодильником во избежание возгорания.
- Это изделие представляет собой бытовой холодильник и пригоден только для хранения продуктов питания. Государственные стандарты запрещают нецелевое использование бытовых холодильников (например, для хранения крови, лекарств или биопрепаратов).
- Не кладите в морозильную камеру бутылки или герметичные контейнеры с жидкостью (например, бутилированное пиво и прохладительные напитки), т. к. они могут взорваться и повредить внутреннюю часть морозильной камеры.
- Перед тем как класть продукты питания в устройство, включите его и подождите 24 часа, чтобы убедиться, что оно работает надлежащим образом, и дать ему время приобрести необходимую температуру. Не переполняйте устройство.



- Перед подключением к электросети Убедитесь, что помещение оснащено настенной розеткой, которая совместима с вилкой, поставляемой с устройством.
- Перед включением Не включайте устройство раньше, чем через два часа после переноса.

#### 4.8. ВНУТРЕННИЕ АКСЕССУАРЫ

Комплект поставки устройства включает несколько стеклянных или пластиковых полок для хранения (комбинация зависит от модели).

Одна полноразмерная стеклянная полка должна всегда занимать нижние направляющие, расположенные над контейнерами для овощей и фруктов. Не меняйте ее расположение. Для этого потяните полку для хранения вперед, пока ее нельзя будет наклонить вверх или вниз и снять.

Чтобы установить полку на другую высоту, сделайте то же самое в обратном порядке.



Чтобы максимально использовать объем отсека для хранения свежих и замороженных продуктов, можно извлечь из устройства одну или несколько полок или ящиков в зависимости от ежедневного использования.

RU

## 5. ЭКСПЛУАТАЦИЯ

### 5.1. ВКЛЮЧЕНИЕ УСТРОЙСТВА

- Температура холодильника регулируется поворотом ручки терморегулятора. Режим Min: менее низкая температура  
Режим Mid: стандартное использование (подходит для большинства ситуаций)  
Режим Max: самая низкая температура  
Режим Off: когда ручка терморегулятора находится в положении Off, холодильник не работает.
- При первой установке холодильника поверните ручку терморегулятора в положение Mid. Дождитесь полного охлаждения камер холодильника, прежде чем класть внутрь продукты питания. Желательно подождать 24 часа перед загрузкой продуктов.
- При высокой температуре окружающей среды (например, жарким летним днем) может потребоваться использовать самый холодный режим работы терморегулятора (положение Max). Это может привести к постоянной работе компрессора для поддержания низкой температуры в холодильнике.

### 5.2. ШУМ, ИЗДАВАЕМЫЙ ХОЛОДИЛЬНИКОМ

Иногда устройство может издавать необычные шумы. Большинство из них не являются признаком сбоя, но вы должны о них знать!

Источником шума служит циркуляция хладагента в системе охлаждения. Этот процесс стал более заметным с момента внедрения газов, не содержащих ХФУ. Шум не служит признаком неполадки и не снижает эффективность работы устройства. Слышимый шум указывает на работу двигателя компрессора, поскольку он перекачивает хладагент по системе.

### 5.3. СОВЕТЫ ПО ХРАНЕНИЮ ПРОДУКТОВ

- Готовые блюда из мяса и рыбы необходимо хранить на полке, расположенной выше места хранения сырого мяса и рыбы, во избежание бактериальной контаминации. Храните сырое мясо и сырую рыбу в достаточно просторном контейнере, способном вместить мясной и рыбный сок. Не забудьте закрыть контейнер крышкой. Размещайте этот контейнер на самой нижней полке.
- Вокруг продуктов питания должно быть достаточно свободного места, чтобы воздух мог циркулировать внутри отделения. Убедитесь, что низкая температура поддерживается во всех зонах внутри отделения.
- Чтобы предотвратить распространение запахов внутри холодильника и защитить продукты от высыхания, используйте отдельную упаковку или обертку для каждого продукта. Фрукты и овощи не следует заворачивать в оберточные материалы.
- Блюда, прошедшие предварительную обработку, должны остыть перед размещением в отделении. Таким образом будет поддерживаться температура внутри отделения.
- Чтобы холодный воздух не выходил из отделения, постарайтесь реже открывать дверцу. Рекомендуем открывать дверцу, только когда необходимо положить или взять продукты.

### 5.4. ХРАНЕНИЕ ЗАМОРОЖЕННЫХ ПРОДУКТОВ

- Все приобретаемые замороженные продукты следует как можно скорее помещать в морозильную камеру, чтобы предотвратить их размораживание и порчу.
- Всегда следует соблюдать все рекомендации по хранению, указанные производителем замороженных продуктов на упаковке.
- При первом использовании морозильной камеры или после размораживания установите ручку терморегулятора в максимальное положение не менее чем на 2 часа, прежде чем помещать продукты питания для хранения. Затем снова установите ручку в стандартное положение.

### 5.5. СОВЕТЫ ПО ЭНЕРГОСБЕРЕЖЕНИЮ

- Установите холодильник или морозильник в прохладном месте, защищенном от прямых солнечных лучей, вдали от плит, обогревателей, посудомоечных машин или любых предметов, выделяющих горячий воздух.
- Не устанавливайте температуру в морозильной камере ниже необходимой. Задайте внутреннюю температуру в нужном диапазоне, например, установите термостат в среднее положение  $-18^{\circ}\text{C}$  в морозильной камере.
- Прежде чем помещать предварительно приготовленные продукты в холодильную или морозильную камеру, дайте им остыть. Это предотвратит повышение внутренней температуры холодильника.
- Следите за тем, чтобы морозильная камера была заполнена, но не переполняйте ее. Оставляйте свободным примерно 20% пространства для циркуляции воздуха.
- Чтобы предотвратить утечку холодного воздуха, ограничьте частоту открывания дверцы. Отсортируйте купленные продукты, которые будут храниться в морозильной камере, прежде чем открывать дверцу. Открывайте дверцу только для того, чтобы положить или извлечь продукты питания.
- Следите за чистотой и исправным состоянием уплотнителя. В закрытом состоянии он должен плотно удерживать лист бумаги.
- Размораживайте холодильник регулярно или когда толщина наледи превысит 5 мм. Толстый слой наледи на внутренних стенках значительно увеличивает энергопотребление.
- Комбинация ящиков, корзин и полок, показанная в описании устройства, оптимальна для эффективной экономии энергии. Изменение предложенной комбинации может повлиять на эффективность.

Номер	Типы отделений	Температура хранения (°C)	Подходящие продукты
1	Холодильник	От +2 до +8	Яйца, приготовленные продукты, упакованные продукты, фрукты и овощи, молочные продукты, торты, напитки и другие продукты, которые не подходят для замораживания.
2	Морозильная камера (***)*	≤ -18	Морепродукты (рыба, креветки, моллюски), продукты пресноводного происхождения и мясные продукты (рекомендуется хранить в течение 3 месяцев, чем дольше срок хранения, тем хуже вкус и питательность), подходит для замороженных свежих продуктов.
3	Морозильная камера ***	≤ -18	Морепродукты (рыба, креветки, моллюски), продукты пресноводного происхождения и мясные продукты (рекомендуется хранить в течение 3 месяцев, чем дольше срок хранения, тем хуже вкус и питательность), подходит для замороженных свежих продуктов.
4	Морозильная камера **	≤ -12	Морепродукты (рыба, креветки, моллюски), продукты пресноводного происхождения и мясные продукты (рекомендуется хранить в течение 3 месяцев, чем дольше срок хранения, тем хуже вкус и питательность), подходит для замороженных свежих продуктов.
5	Морозильная камера *	≤ -6	Морепродукты (рыба, креветки, моллюски), продукты пресноводного происхождения и мясные продукты (рекомендуется хранить в течение 3 месяцев, чем дольше срок хранения, тем хуже вкус и питательность), подходит для замороженных свежих продуктов.
6	Без звезд	От -6 до 0	Свежая свинина, говядина, рыба, курица, некоторые упакованные обработанные продукты и т. д. Рекомендуется употребить в тот же день, желательно не более чем в течение 3 дней.
7	Охлаждение	От -2 до +3	Свежая и замороженная свинина, говядина, курица, продукты пресноводного происхождения и т. д. (7 дней при температуре около 0°C, рекомендуется употребить в течение дня, предпочтительно не более 2 дней.) Морепродукты (рекомендуется хранить при температуре не выше 0°C в течение 15 дней).

Примечание. Для хранения различных продуктов используйте соответствующие отделения в зависимости от указанной для этих продуктов температуры хранения..

## 6. ТЕХНИЧЕСКОЕ ОБСЛУЖИВАНИЕ И ОЧИСТКА

### 6.1. РАЗМОРАЖИВАНИЕ

**Примечание:** Данное устройство не оборудовано системой автоматического размораживания.

Используйте пластиковый совок для льда при очистке испарителя от наледи. Не используйте металлические острые предметы.

### 6.2. ОЧИСТКА ВНУТРЕННЕЙ И ВНЕШНЕЙ ПОВЕРХНОСТЕЙ УСТРОЙСТВА

- Своевременно убирайте пыль за холодильником и на полу в целях более эффективного охлаждения и экономии энергии.
- Регулярно проверяйте дверную прокладку на отсутствие грязи. Протирайте прокладку мягкой тканью, смоченной в мыльной воде или разбавленном моющем средстве.
- Во избежание образования запахов необходимо регулярно очищать холодильник внутри.
- Перед очисткой внутренней части холодильника необходимо отключить

- питание, удалить все продукты, напитки, полки, ящики и т. д.
- Для очистки холодильника используйте мягкую ткань или губку с двумя столовыми ложками пищевой соды на литр теплой воды. Затем промойте водой и вытрите. После очистки откройте дверцу и дайте холодильнику высохнуть естественным образом, прежде чем включить питание.
- Для очистки труднодоступных зон холодильника (например узких пазов, зазоров или углов) регулярно протирайте их мягкой тканью, мягкой щеткой и пр. и при необходимости используйте некоторые вспомогательные инструменты (например тонкие палочки), чтобы обеспечить отсутствие загрязнений или бактерий в данных зонах.
- Не используйте мыло, моющее средство, абразивный порошок, очищающий спрей и пр., поскольку они могут вызывать неприятные запахи внутри холодильника или загрязнение пищи.
- Протрите держатель для бутылок, полки и ящики мягкой тканью, смоченной в мыльной воде или разбавленном моющем средстве. Затем вытрите насухо мягкой тканью или дайте высохнуть естественным образом.
- Протрите внешнюю поверхность холодильника мягкой тканью, смоченной мыльной водой, моющим средством и пр., а затем вытрите насухо.
- Не используйте жесткие щетки, стальные шарики для чистки, проволочные щетки, абразивы (например зубные пасты), органические растворители (например спирт, ацетон, спиртовой раствор амилацетата и пр.), кипящую воду, кислоту или щелочь, которые могут повредить внешнюю или внутреннюю поверхность холодильника. Кипящая вода и органические растворители, такие как бензин, могут деформировать или повредить пластиковые части.
- Во время очистки запрещено непосредственно наливать воду или другие жидкости во избежание короткого замыкания или воздействия на электропроводку.

### 6.3. СОВЕТЫ ПО ОЧИСТКЕ

На внутренней поверхности устройства может появиться конденсат. Это может быть связано с изменением температуры в помещении. Вытрите остатки влаги. Если проблему не удалось устранить, обратитесь за помощью к квалифицированному технику.

### 6.4. ТЕХНИЧЕСКОЕ ОБСЛУЖИВАНИЕ

#### Замена внутренней лампы

Замену лампы должен выполнять только квалифицированный техник.

#### Осторожное обращение/перемещение устройства

При перемещении держите устройство за боковые стороны или основание. Категорически запрещено поднимать устройство, держась за края верхней поверхности.

#### Сервисное обслуживание

Обслуживание устройства должно осуществляться уполномоченным специалистом с использованием только оригинальных запасных частей. Вы не должны ни при каких условиях пытаться отремонтировать устройство самостоятельно. Ремонт, выполняемый лицами без опыта, может привести к травмам или серьезным неисправностям. Обратитесь к квалифицированному технику.

#### Длительное отключение холодильника

Если устройство не будет использоваться в течение длительного времени, отключите его от сети, извлеките все продукты, выполните очистку и оставьте дверцу открытой, чтобы предотвратить образование неприятных запахов.

## 7. ПОИСК И УСТРАНЕНИЕ НЕИСПРАВНОСТЕЙ

Простые проблемы, указанные ниже, можно устранить самостоятельно. Если проблем устранить не удастся, свяжитесь с отделом послепродажного обслуживания.

Неисправность	Рекомендуемое решение
Прибор не работает	<ul style="list-style-type: none"><li>• Убедитесь, что холодильник подключен к исправной электросети.</li><li>• Низкое напряжение.</li><li>• Проверьте, отключено ли электропитание и нет ли сбоя цепи.</li></ul>
Запах	<ul style="list-style-type: none"><li>• Продукты питания с сильным запахом должны быть тщательно запакованы.</li><li>• Убедитесь, что в холодильнике нет гнилых продуктов.</li><li>• Проверьте камеры холодильника на наличие загрязнений.</li></ul>
Компрессор работает слишком долго	<ul style="list-style-type: none"><li>• Нормальное явление, что холодильник дольше работает летом, когда температура окружающей среды выше обычного.</li><li>• Не помещайте в морозильную камеру слишком много продуктов.</li><li>• Дождитесь, пока горячие блюда остынут, прежде чем ставить их в холодильник.</li><li>• Частое открытие дверцы холодильника.</li></ul>
Подсветка не зажигается	<ul style="list-style-type: none"><li>• Убедитесь, что холодильник подключен к исправной электросети.</li><li>• Проверьте лампы подсветки на наличие повреждений.</li><li>• Обратитесь к специалисту за помощью в замене лампы, если она повреждена.</li></ul>
Дверца холодильника не закрывается до конца.	<ul style="list-style-type: none"><li>• Движению двери мешают продукты питания.</li><li>• Холодильник переполнен.</li><li>• Холодильник стоит неровно.</li></ul>
Громкий шум	<ul style="list-style-type: none"><li>• Убедитесь, что все продукты питания лежат надлежащим образом, а холодильник расположен ровно.</li><li>• Убедитесь, что все элементы холодильника надежно зафиксированы.</li></ul>

### Советы:

- Во время работы корпус холодильника может выделять тепло, особенно летом. Это вызвано излучением конденсатора и представляет собой нормальное явление.
- Конденсат: при высокой влажности окружающей среды на внешней поверхности и уплотнителях дверцы морозильной камеры будет скапливаться конденсат. Это нормальное явление. Конденсат можно вытереть сухим полотенцем.
- Шум создается работающим компрессором, особенно при запуске или выключении.



**Таблица 1. Климатические классы**

<b>Класс</b>	<b>Обозначение</b>	<b>Диапазон температур окружающей среды (°C)</b>
Субнормальный	SN	от +10 до +32
Нормальный	N	от +16 до +32
Субтропический	ST	от +16 до +38
Тропический	T	от +16 до +43

Субнормальный: данная холодильная техника предназначена для использования в диапазоне температуры окружающей среды от 10 до 32 °С.

Нормальный: данная холодильная техника предназначена для использования в диапазоне температуры окружающей среды от 16 до 32 °С.

Субтропический: данная холодильная техника предназначена для использования в диапазоне температуры окружающей среды от 16 до 38 °С.

Тропический: данная холодильная техника предназначена для использования в диапазоне температуры окружающей среды от 16 до 43 °С.

Заказанные детали из таблицы ниже могут быть получены по каналу \_\_\_\_\_:

<b>Заказанная деталь</b>	<b>Предоставляется</b>	<b>Минимальное время, необходимое для предоставления</b>
Терморегуляторы	Персонал по профессиональному техническому обслуживанию	Минимум 7 лет после появления на рынке последней модели
Датчики температуры	Персонал по профессиональному техническому обслуживанию	Минимум 7 лет после появления на рынке последней модели
Печатные платы	Персонал по профессиональному техническому обслуживанию	Минимум 7 лет после появления на рынке последней модели
Источники света	Персонал по профессиональному техническому обслуживанию	Минимум 7 лет после появления на рынке последней модели
Ручки дверцы	Специалисты по ремонту и конечные пользователи	Минимум 7 лет после появления на рынке последней модели
Дверные петли	Специалисты по ремонту и конечные пользователи	Минимум 7 лет после появления на рынке последней модели
Лотки	Специалисты по ремонту и конечные пользователи	Минимум 7 лет после появления на рынке последней модели
Корзины	Специалисты по ремонту и конечные пользователи	Минимум 7 лет после появления на рынке последней модели
Дверные прокладки	Специалисты по ремонту и конечные пользователи	Минимум 10 лет после появления на рынке последней модели

Уважаемый клиент!

1. При необходимости возврата или замены изделия свяжитесь с продавцом. (При себе необходимо иметь чек.)
2. В случае неисправности изделия и необходимости ремонта свяжитесь с отделом послепродажного обслуживания.

### Паспорт товара в соответствии с (ЕС) 2019/2019

Копию паспорта вашего прибора можно скачать онлайн.

Перейдите по ссылке <https://eprel.ec.europa.eu/>, введите номер модели вашего прибора и скачайте паспорт.

Идентификатор модели приведен на заводской табличке на задней/внутренней стороне устройства.

**Размещайте продукты в разных отсеках в соответствии с таблицей ниже.**

	Тип продукта
Дверцы или навесные полки в морозильной камере	<ul style="list-style-type: none"><li>• Продукты с натуральными консервантами, такие как джемы, соки, напитки, приправы (использовать в течение 1–2 дней).</li><li>• Не храните скоропортящиеся продукты.</li></ul>
Ящик для фруктов и овощей (салатный)	<ul style="list-style-type: none"><li>• Фрукты, зелень и овощи должны храниться в ящике отдельно (использовать в течение 1–2 дней).</li><li>• Свежие бананы, картофель, лук и чеснок не следует хранить в холодильнике.</li></ul>
<ul style="list-style-type: none"><li>• Нижняя полка холодильника</li><li>• Ящик холодильника</li></ul>	<ul style="list-style-type: none"><li>• Сырое мясо, птица, рыба (для кратковременного хранения)</li></ul>
Средняя полка холодильника	<ul style="list-style-type: none"><li>• Молочные продукты, яйца (использовать в течение рекомендуемого срока).</li></ul>
Верхняя полка холодильника	<ul style="list-style-type: none"><li>• Продукты, не требующие приготовления, такие как готовые к употреблению продукты, мясные деликатесы и остатки (хранить только 1–2 дня).</li></ul>
Ящики и полки морозильника	<ul style="list-style-type: none"><li>• Продукты длительного хранения.</li><li>• Нижний ящик или полка: сырое мясо, птица, рыба (срок хранения 4 месяца).</li><li>• Средний ящик или полка: замороженные овощи, ломтики (срок хранения 6 месяцев).</li><li>• Верхний ящик или полка: мороженое, замороженные фрукты, замороженная выпечка (срок хранения 2 месяца).</li></ul>

## 8. ГАРАНТИИ

### Гарантии и ограничения ответственности

Гарантия Qilive покрывает ремонт или функционально эквивалентную замену вашего устройства Qilive, если в течение гарантийного периода оно станет неисправным из-за дефекта материала или изготовления.

Отремонтированные и замененные изделия могут содержать как новые, так и бывшие в употреблении детали и технические компоненты.

Если изделие не подлежит ремонту или замене, Qilive возместит стоимость покупки, указанную в подтверждающем покупке документе.

На что не распространяется гарантия Qilive?

Устройства Qilive спроектированы и изготовлены для непрерывного обеспечения высокой производительности в обычных домашних условиях. Если при использовании устройства Qilive по назначению оно выходит из строя в течение гарантийного срока, мы несем ответственность за его ремонт или замену.

Однако при определенных обстоятельствах гарантия Qilive не распространяется на ремонт или замену устройства. Эти обстоятельства четко указаны. Гарантия не распространяется на следующие случаи:

- Нормальный износ, в том числе косметический (например, царапины, вмятины или умышленно нанесенные повреждения), и детали, которые со временем могут изнашиваться (например, предохранители, ремни, шины, тормоза, фильтры и т. д.).
- Повреждения или проблемы, вызванные неправильным использованием или использованием, несоответствующим указаниям на заводской табличке или в руководстве пользователя, несчастным случаем, модификацией.
- Повреждения, вызванные несоблюдением рекомендаций по обслуживанию устройства.
- Использование или хранение, наносящие вред сохранности устройства (окисление, коррозия), использование энергии, эксплуатация или установка не в соответствии с инструкциями производителя, небрежность или использование неподходящих периферийных устройств, программного обеспечения или расходных материалов.
- Профессиональное, коллективное, промышленное, коммерческое использование устройства или использование в целях, отличных от обычного домашнего использования в стране, где он был приобретен.
- Повреждения, вызванные внешними источниками, такими как транспорт, погодные условия, перебои в подаче электроэнергии или скачки напряжения.
- Измененные изделия, у которых гарантийная пломба или серийный номер были повреждены, испорчены, удалены или подверглись окислению.
- Повреждения, вызванные вмешательством неуполномоченных лиц.
- Обновления программного обеспечения, вызванные изменением параметров сети.
- Повреждения устройства, вызванные внешними факторами (инородные тела, насекомые и т. д.)
- Содержание устройств: морозильная, стиральная машина (еда, одежда,...).
- Неисправности в работе устройства вследствие использования стороннего программного обеспечения для изменения, модификации, адаптации или преобразования установленного программного обеспечения.
- Неисправности в работе устройства вследствие его использования без аксессуаров, поставляемых с ним или утвержденных Qilive.

Клиент должен самостоятельно обеспечивать резервное копирование данных, содержащихся на его жестком диске или во внутренней памяти его устройства, регулярно, а также перед его сдачей.

Qilive не несет ответственности за потерю или уничтожение сохраненных данных или за повреждения программного обеспечения, возникшие, в частности, в результате восстановления или поломки.

Помимо того, компания Qilive не обязана проверять, были ли извлечены SIM-карты и/или карты SD из продукции, подлежащей возврату.

Каковы условия гарантии?

Гарантия Qilive предоставляется на следующих условиях:

Гарантия вступает в силу с даты покупки (или с даты поставки, если она наступает позже).

Вы должны предоставить подтверждение доставки/покупки до выполнения каких-либо работ с вашим устройством по гарантии. Обратите внимание, что если такое подтверждение не будет предоставлено, в отношении всех выполненных работ будет выставлен счет. Пожалуйста, сохраняйте чек о покупке или квитанцию о доставке.

Все работы будут выполняться компанией Qilive или ее уполномоченными представителями.

Все замененные детали становятся собственностью Qilive.

Эта гарантия предоставляет преимущества, которые дополняют ваши законные права как потребителя и никак не влияет на них.

Как воспользоваться гарантией Qilive?

Чтобы запросить ремонт или замену вашего устройства по гарантии Qilive во всех странах, кроме Франции, принесите свое устройство в администрацию пункта продажи с документом, подтверждающим покупку (например, чеком), со всеми необходимыми для его надлежащей работы аксессуарами (блок питания, адаптер и т. д.) и с оригинальной упаковкой. Если вы хотите воспользоваться гарантией во Франции, пожалуйста, сделайте запрос на нашем сайте: <https://auth.sav-login.aichan.fr>. Важно, чтобы у вас была такая информация, как дата покупки, модель и серийный номер или номер IMEI (эта информация обычно указывается на изделии, его упаковке или в документе, свидетельствующем о факте покупки).

Когда гарантия вступает в силу?

Гарантия Qilive вступает в силу в дату покупки или доставки вашего устройства, в зависимости от того, какая из указанных дат наступит позже.

На ваше устройство распространяется 3-летняя гарантия Qilive на детали и работы.

Возможна ли передача прав по гарантии Qilive?

Права по гарантии Qilive передаются вместе с устройством, при условии предоставления документа, подтверждающего факт изначальной покупки у авторизованного дистрибьютора, а также документа, подтверждающего факт смены владельца и должное функционирование устройства на момент такой смены владельца.

# ОГЛЯД ЗМІСТУ:

1. ІНСТРУКЦІЇ З ТЕХНІКИ БЕЗПЕКИ	С. 140
2. ТЕХНІЧНІ СПЕЦИФІКАЦІЇ	С. 143
3. ОПИС ПРИСТРОЮ	С. 143
4. ВСТАНОВЛЕННЯ	С. 144
5. ВИКОРИСТАННЯ	С. 150
6. ОБСЛУГОВУВАННЯ ТА ЧИЩЕННЯ	С. 151
7. УСУНЕННЯ НЕСПРАВНОСТЕЙ	С. 153
8. ГАРАНТІЇ	С. 156

## 1. ІНСТРУКЦІЇ З ТЕХНІКИ БЕЗПЕКИ

Перед використанням цього пристрою уважно ознайомтеся з цими інструкціями та зберігайте цей посібник користувача для використання в майбутньому.




**УВАГА:** Небезпека пожежі / легкозаймисті матеріали!

UA

1. Цей пристрій призначений для використання в домашньому господарстві й подібних умовах, наприклад, на кухнях персоналу в магазинах, офісах та інших робочих середовищах; у фермерських будинках, номерах готелів, мотелів і в інших житлових приміщеннях; у закладах проживання типу «ліжко та сніданок»; у закладах громадського харчування й подібних умовах, не пов'язаних із роздрібною торгівлею.
2. Діти мають використовувати пристрій під наглядом дорослих. Забороняється грати із пристроєм.
3. Щоб запобігти виникненню небезпечних ситуацій, заміна пошкодженого кабелю живлення має виконуватися виробником, його представником з технічного обслуговування або особами з відповідною кваліфікацією.
4. НЕ зберігайте в пристрої вибухові речовини, як-от аерозольні балончики з горючими сумішами.
5. Цей прилад необхідно відключати від мережі живлення, коли він не використовується, а також перед початком обслуговування.
6. УВАГА: Не закривайте вентиляційні отвори на корпусі приладу чи у конструкціях, куди він встановлюється.
7. УВАГА: Не використовуйте механічні пристрої чи інші засоби для прискорення процесу розморожування, окрім рекомендованих виробником.
8. УВАГА: Не пошкоджуйте контур холодоагенту.
9. УВАГА: Не використовуйте електричні пристрої всередині відділення для зберігання продуктів харчування, окрім випадків, коли це такі типи пристроїв, що рекомендовані виробником.
10. Охолоджувальний газ R600a в цьому холодильнику є природним газом. Він не шкідливий для навколишнього середовища, проте горючий. Тому важливо транспортувати та встановлювати холодильник таким чином, щоб не пошкодити канали холодагенту. У випадку витоку газу уникайте його контакту із вогнем поблизу та провітрюйте приміщення.
11. Ніколи не ремонтуйте холодильник самостійно. Ремонт повинні проводити тільки кваліфіковані або уповноважені майстри.

12. УВАГА: Утилізуйте холодильник відповідно до вимог місцевого законодавства, тому що він містить легкозаймистий вибуховий газ і холодоагент.
13. УВАГА: Під час встановлення цього приладу уникайте затискання чи пошкодження шнура живлення.
14. УВАГА: Не розташовуйте декілька переносних розеток або переносних блоків електроживлення у задній частині пристрою.
15. НЕ використовуйте подовжувачі або адаптери без заземлення (із двома контактами).
16. НЕБЕЗПЕКА: Ризик потрапляння дітей у пастку. Перед утилізацією старого холодильника або морозильника:
  - Зніміть дверцята.
  - Залиште полиці на місці, щоб дітям було важко забратися всередину.
17. Перед встановленням аксесуарів холодильник необхідно від'єднати від джерела електроживлення.
18. Холодоагент та циклопентановий піноутворюючий агент, що використовуються в холодильнику, є займистими. Тому холодильник, що більше не використовується, необхідно тримати подалі від джерел займання, і його переробка має здійснюватися спеціалізованою компанією, що має відповідну кваліфікацію. Для уникнення завдання шкоди довкіллю або будь-яких інших пошкоджень утилізація має здійснюватися у спосіб, що не передбачає спалювання.
19. Європейські стандарти: Цим пристроєм можуть користуватися діти віком від 8 років, а також особи з обмеженими фізичними, сенсорними чи розумовими здібностями, або з відсутністю досвіду та знань, але лише під наглядом або після проведення з ними інструктажу щодо безпечної роботи з цим пристроєм. Діти не повинні гратися з цим пристроєм. Діти не повинні чистити та доглядати за приладом без нагляду дорослих. Дітям віком від 3 до 8 років дозволяється завантажувати та розвантажувати холодильні пристрої.
20. Якщо дверцята або кришки оснащені замками з ключами, ключі потрібно зберігати подалі від дітей і холодильного пристрою, щоб уникнути блокування дітей всередині.
21. Для уникнення зараження продуктів харчування дотримуйтеся наступних інструкцій:
  - Відкривання дверей на тривалий період часу може значно підвищити температуру у відділеннях пристрою.
  - Регулярно очищуйте поверхні, що контактують із продуктами харчування, а також дренажні системи, до яких є доступ.
  - Очищуйте резервуари для води, якщо вони не використовувалися протягом 48 годин: промийте систему, підключену до подачі води, якщо вода не зливалася протягом 5 днів. (Примітка 1)
  - Зберігайте свіже м'ясо та рибу у відповідних контейнерах у холодильному відділенні, щоб вони не контактували із продуктами харчування і щоб рідини з них не потрапляли на інші продукти.
  - Відділення для заморожених продуктів харчування із двома зірочками можуть використовуватися для зберігання попередньо заморожених продуктів, зберігання та приготування морозива та кубиків льоду. (Примітка 2)
  - Відділення із однією, двома й трьома зірочками не призначені для заморожування свіжої їжі. (Примітка 3)
  - Якщо холодильник має бути порожнім протягом тривалого періоду часу, необхідно вимкнути його, очистити і залишити двері відкритими для уникнення утворення плісняви в середині пристрою.
  - Стосується пристроїв, що мають відділення з 4-ма зірочками: цей холодильник не призначений для заморожування харчових продуктів. (Примітка 4)

- Примітки 1, 2, 3, 4: Перевірте, чи це стосується вашого типу відділень для продуктів.
- 22. Стосується автономних холодильників: цей пристрій не призначений для використання в якості вбудованої техніки.
- 23. Будь-яка заміна або технічне обслуговування світлодіодних ламп має здійснюватися виробником, його сервісним агентом або спеціалістом із відповідною кваліфікацією.
- 24.  Маркування на пристрої (знак закресленого бака для сміття) відповідає Директиві 2012/19/ЄС щодо «утилізації електричного й електронного обладнання». Це маркування вказує на неможливість утилізації обладнання, строк експлуатації якого закінчився, разом з іншим побутовим сміттям. Користувач повинен доставити таке обладнання операторам, які збирають вживане електричне й електронне обладнання. Оператори збору, включно з місцевими пунктами збору, магазинами й місцевими органами влади, створюють відповідну систему збору обладнання. Належний збір вживаного електричного й електронного обладнання допомагає уникнути шкідливого впливу на здоров'я людини й навколишнє середовище через вміст у ньому небезпечних компонентів, а також через неправильне зберігання й поводження з цим обладнанням.

### 1.1. ПОПЕРЕДЖЕННЯ ЩОДО ЕНЕРГІЇ

1. Холодильний прилад може працювати із перервами (можливість розморожування вмісту або надмірного підвищення температури у відділенні заморожених продуктів), якщо він буде протягом тривалого часу налаштований на температуру, що є нижчою за нижню межу температури, для якої прилад був спроектований.
2. Не зберігайте газовані напої у морозильних чи низькотемпературних відділеннях або шафах, а також не споживайте деякі продукти, як-от лід, занадто холодними.
3. Не зберігайте в морозильній камері й у відділеннях або шафах для зберігання заморожених продуктів будь-які продукти харчування, зокрема швидко заморожені, довше, ніж рекомендує виробник цих продуктів.
4. Під час розморожування холодильника вживайте запобіжних заходів для уникнення надмірного нагрівання заморожених продуктів, наприклад, загорніть їх у декілька шарів газети.
5. Підвищення температури заморожених продуктів харчування під час ручного розмороження, техобслуговування або очищення може скоротити термін їхньої придатності.

## 2. ТЕХНІЧНІ СПЕЦИФІКАЦІЇ

Джерело живлення	220-240 В~, 50 Гц
Номинальний струм	0.5 А
Споживання енергії	176 кВт·год/рік
Клас захисту	I
Кліматичний клас	N/ST
Номинальна потужність лампи	макс. 2 Вт
Загальний об'єм	204 л
Об'єм відділення для свіжих продуктів	163 л
Об'єм відділення із чотирма зірочками	41 л
Холодоагент і кількість впорскування	R600a/44 г
Розміри (В х Д х Ш)	1430 x 550 x 550 мм
Вага нетто	37 кг

## 3. ОПИС ПРИСТРОЮ

1. Полиця
2. Термостат
3. Полиця
4. Полиця
5. Висувний ящик для овочів та фруктів
6. Дверний лоток

UA

## 4. ВСТАНОВЛЕННЯ

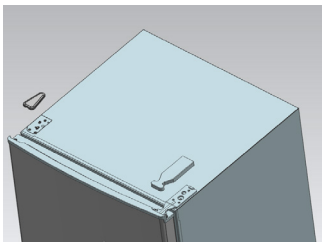
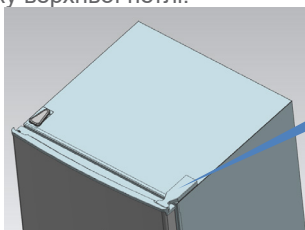
### 4.1. РОЗМІЩЕННЯ

- Обираючи місце розташування пристрою, переконайтеся, що приміщення має рівну, тверду підлогу й хорошу вентиляцію.
- Не встановлюйте пристрій поруч із джерелами тепла, як-от плитою, бойлером або радіатором. Також уникайте потрапляння на пристрій прямих сонячних променів. Це може спричинити підвищення електроспоживання.
- На роботу пристрою може впливати занадто низька температура навколишнього середовища.
- Цей пристрій не призначений для використання в гаражі або на відкритому повітрі.
- Не накривайте пристрій.
- Під час встановлення пристрою переконайтеся, що з обох його боків і ззаду залишився зазор у 10 см, а згори — у 30 см. Це дозволить холодному повітрю вільно циркулювати навколо охолоджувача вина й покращить процес охолодження.

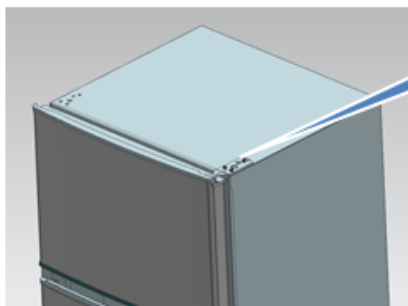
### 4.2. ПЕРЕВІШУВАННЯ ДВЕРЕЙ ХОЛОДИЛЬНИКА (НЕОБОВ'ЯЗКОВО)

**Необхідні інструменти:** хрестоподібна викрутка/викрутка з плоским жалом/шестигранний гайковий ключ

1. Зніміть кришку верхньої петлі.



2. Викрутіть гвинти, що фіксують верхню петлю, за допомогою хрестоподібної викрутки.

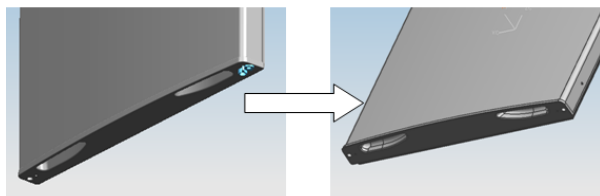




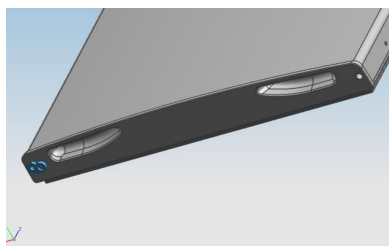
3. Перемістіть верхню петлю, обмежувач верхніх дверцят і вкладиш дверцят на інший бік.
- а. Відкрутіть гайку з втулкою. Зніміть шайбу, потім перемістіть вісь на іншу сторону й зафіксуйте.



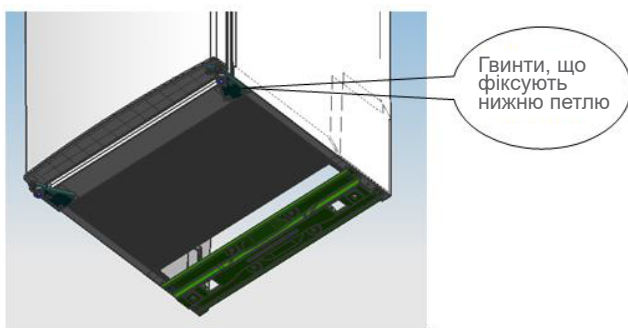
- б. Зніміть обмежувач дверцят.



- с. Вийміть інший обмежувач дверцят (з гвинтом, що кріпиться до дверцят).

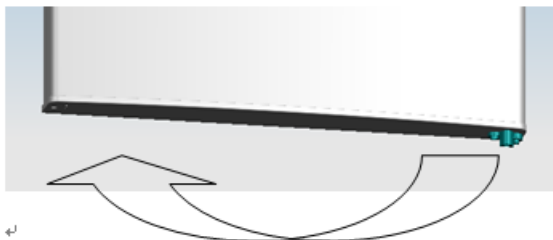


4. Викрутіть гвинти, що фіксують нижню петлю, за допомогою хрестоподібної викрутки.

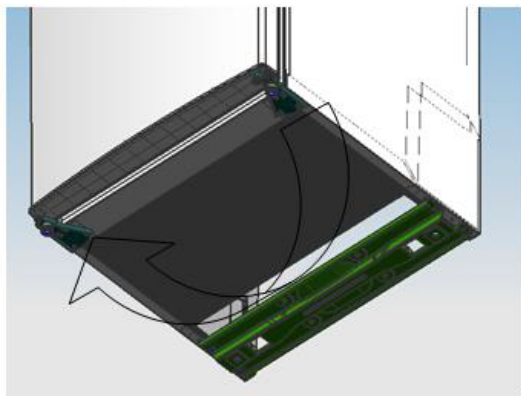


**Примітка:** Максимальний кут нахилу побутового холодильника з морозильною камерою становить 45°.

5. Перемістіть вкладиш і обмежувач нижніх дверцят.



6. Перемістіть нижню петлю на іншу сторону, потім зафіксуйте її гвинтами.

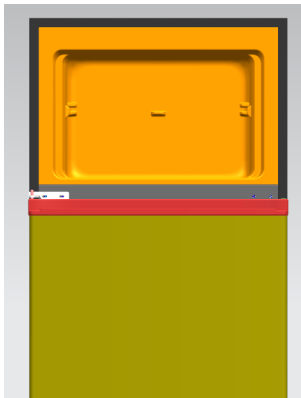


UA

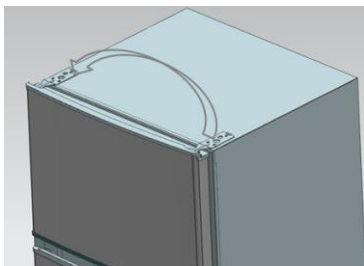
7. Перемістіть середню петлю.



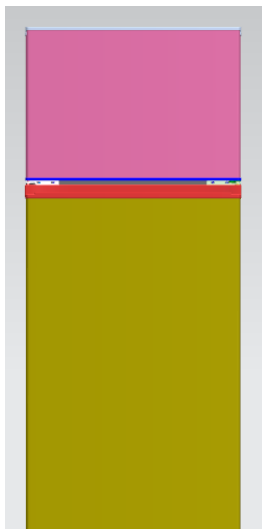
8. Приставте нижні дверцята справа, потім зафіксуйте середню петлю.



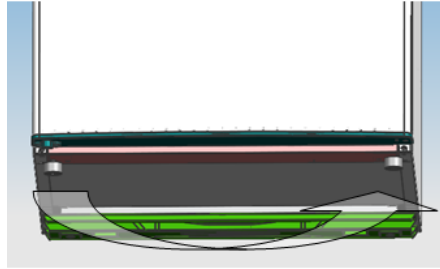
9. Перемістіть верхню петлю.



10. Приставте верхні дверцята справа, потім зафіксуйте верхню петлю й кришку.



11. Установіть чотири ковпачки гвинтів і два фіксатори у відповідні місця.
  - Переконайтесь, що штепсельну вилку від'єднано від електричної розетки і прилад порожній.
  - Поставте дві регулювальні ніжки в найвище положення.
  - Рекомендуємо звернутись до когось за допомогою.
12. Перемістіть нівелір на іншу сторону і відрегулюйте її, щоб корпус пристрою стояв рівно.



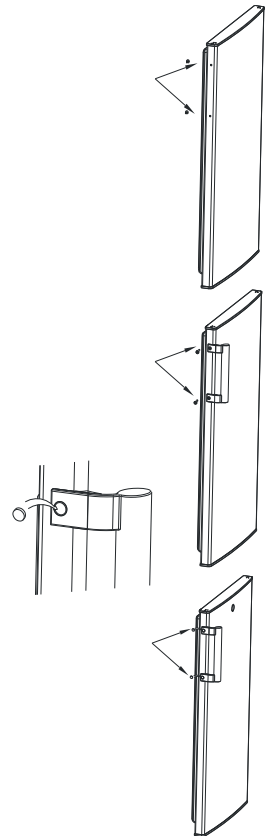
#### 4.3. ВСТАНОВЛЕННЯ ДВЕРНИХ РУЧОК (НЕОБОВ'ЯЗКОВО)

**Примітка:** Рисунки в довіднику користувача наведені лише для прикладу. Фактичний виріб може дещо відрізнятись. Перед встановленням аксесуарів холодильник необхідно від'єднати від електромережі.

Крок 1: Вийміть два штифти з дверцят (зі сторони відкривання дверцят).

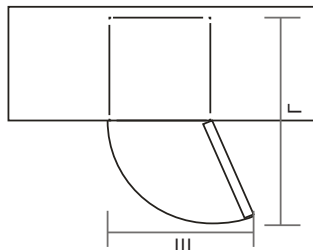
Крок 2: Встановіть дверні ручки на дверцята й закріпіть їх гвинтами.

Крок 3: Вставте ковпачки для гвинтів у відповідні отвори на дверцятах.



#### 4.4. ВИМОГИ ДО ДВЕРНОГО ПРОСТОРУ

Дверцята пристрою повинні повністю відкриватися, як показано на рисунку.  
(Ш × Г ≥ 902 × 1052 мм)

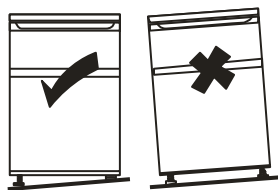


#### 4.5. ВИРІВНЮВАННЯ ПРИСТРОЮ

Щоб вирівняти пристрій, відрегулюйте дві регульовальні ніжки спереду. Якщо пристрій не вирівняти, дверцята й магнітні ущільнення не будуть вирівняні належним чином.

Перед використанням переконайтеся, що ніжки торкаються землі.

Подивіться зверху вниз, відрегулюйте регульовані ніжки, повертаючи їх за або проти годинникової стрілки, щоб затягнути або послабити.



#### 4.6. ОЧИЩЕННЯ ПЕРЕД ВИКОРИСТАННЯМ

Протріть пристрій зсередини слабким розчином соди. Потім змийте теплою водою за допомогою віджатої губки або ганчірки. Вимийте полиці та ящик для зберігання овочів (фруктів) теплою мильним розчином і повністю висушіть перед тим, як поставити їх на місце. Очистіть зовнішні поверхні пристрою вологою ганчіркою. Більш детальну інформацію див. у розділі «ОБСЛУГОВУВАННЯ ТА ЧИЩЕННЯ».

#### 4.7. ПЕРЕД ПЕРШИМ ВИКОРИСТАННЯМ ПРИСТРОЮ

- Щоб використання пристрою було безпечним, не пошкоджуйте шнур живлення. Не використовуйте пристрій, якщо шнур живлення пошкоджений або вилка зношена.
- Не ставте в холодильник займисті, вибухові, леткі та корозійно-активні речі, щоб уникнути ушкодження приладу або пожежі.
- Не ставте займисті речі біля холодильника, щоб уникнути пожежі.
- Цей пристрій є побутовим холодильником і має використовуватися лише для зберігання продуктів харчування. Відповідно до національних стандартів, побутові холодильники не мають використовуватися в інших цілях, таких як зберігання крові, лікувальних препаратів чи біологічних продуктів.
- Не кладіть пляшки або герметичні контейнери із рідинами, такі як пляшки з пивом та напоями, у морозильне відділення, щоб уникнути їхніх розривів та інших ушкоджень.
- Перш ніж класти будь-яку їжу в пристрій, увімкніть його й зачекайте 24 години, щоб переконатися, що він працює належним чином, а температура впала до потрібних показників. Не перезавантажуйте пристрій.

UA



- Перед підключенням до електромережі Переконайтеся, що настінна розетка сумісна з вилкою, що постачається з пристроєм.
- Перед увімкненням Не вмикайте пристрій протягом двох годин після його переміщення.

#### 4.8. ВНУТРІШНІ АКЕСУАРИ

Кілька скляних або пластикових полиць входять до комплекту вашого пристрою. Комплектація відрізняється в залежності від моделі.

Завжди встановлюйте одну скляну полицю повного розміру у найнижчі напрямні над ящиком для зберігання фруктів і овочів і залишайте її там. Для цього потягніть полицю вперед, щоб її можна було перемістити вгору або вниз і вийняти.

Щоб вставити полицю на іншій висоті, виконайте ті самі дії у зворотному порядку.



Щоб максимально використати об'єм відділення для зберігання свіжих продуктів і відділення для зберігання заморожених продуктів, з пристрою можна вийняти одну або кілька полиць, ящиків залежно від щоденного використання.

### 5. ВИКОРИСТАННЯ

#### 5.1. УВІМКНЕННЯ ПРИСТРОЮ

- Щоб налаштувати температуру всередині холодильника, поверніть регулятор термостата.  
Налаштування «Мін» (Min): Нижча температура  
Налаштування «Середня» (Mid): Нормальна робота (підходить для більшості ситуацій)  
Налаштування «Макс» (Max): Найнижча температура  
Налаштування «Вимк» (Off): Якщо регулятор термостата встановити в положення «Вимк» (Off), холодильник не працюватиме.
- Під час першого встановлення холодильника перемістіть регулятор термостата в положення «Середня» (Mid). Перш ніж класти продукти в холодильник, він повинен повністю охолонути. У разі можливості зачекайте 24 години.
- За високих температур навколишнього середовища, наприклад, у спекотні літні дні, може знадобитися встановити термостат на найнижче значення температури (положення «Макс» (Max)). Це може спричинити безперервну роботу компресора для підтримки низької температури в пристрої.

#### 5.2. ШУМ ВСЕРЕДИНІ ПРИСТРОЮ

Пристрій може видавати незвичайні звуки. Більшість із них є абсолютно стандартними, але ви повинні знати про них!

Такі звуки виникають внаслідок циркуляції холодоагенту в системі охолодження.

Використання газів, які не містять хлорофлуорокарбонів, робить їх більш вираженими. Це не є несправністю й не впливає на продуктивність роботи пристрою. Шум означає, що двигун компресора працює, перекачуючи холодоагент по системі.

#### 5.3. ПОРАДИ ЩОДО ЗБЕРІГАННЯ ПРОДУКТІВ

- Приготовані м'ясо або рибу завжди слід зберігати на полиці над свіжими м'ясом або рибою, щоб уникнути переносу бактерій. Зберігайте свіже м'ясо та рибу у контейнері достатнього розміру, щоб в нього міг стікати сік, а також закривайте його належним чином. Встановлюйте контейнер на найнижчу полицю.
- Залишайте місце навколо продуктів, щоб повітря могло циркулювати всередині пристрою. Подбайте, щоб усі частини пристрою були холодні.
- Для уникання розповсюдження запахів та висихання, упакуйте або закривайте продукти окремо. Фрукти та овочі можна не загортати.
- Завжди давайте попередньо приготованим продуктам охолонути, перш ніж класти їх у

пристрій. Це допоможе підтримувати внутрішню температуру пристрою.

- Щоб холодне повітря не виходило з пристрою, спробуйте обмежити кількість відкривань дверцят. Рекомендується відкривати дверцята, лише коли потрібно покласти або вийняти продукти.

#### **5.4. ЗБЕРІГАННЯ ЗАМОРОЖЕНИХ ХАРЧОВИХ ПРОДУКТІВ**

- Щоб уникнути розморожування й псування заморожених харчових продуктів, які ви купуєте, їх потрібно якомога швидше покласти в морозильну камеру.
- Завжди дотримуйтесь усіх рекомендацій щодо зберігання заморожених харчових продуктів, зазначених виробником на упаковці.
- Під час першого використання морозильної камери або після її розморожування встановіть регулятор термостата в положення «Макс» (Max) принаймні на 2 години, перш ніж покласти в неї продукти для зберігання, а потім знову встановіть регулятор в положення «Середня» (Mid).

#### **5.5. ПОРАДИ ЩОДО ЕКОНОМІЇ ЕЛЕКТРОЕНЕРГІЇ**

- Встановіть холодильник або морозильну камеру в прохолодному місці подалі від прямих сонячних променів і плит, обігрівачів, посудомийних машин або будь-яких пристроїв, що продукують гаряче повітря.
- Не встановлюйте температуру морозильної камери на нижчі показники, ніж необхідно. Встановіть внутрішню температуру пристрою в правильному діапазоні, наприклад, у морозильній камері відповідно регулятор термостата має бути в середньому положенні -18 °C.
- Перш ніж помістити приготовану їжу в холодильник або морозильну камеру, вона має охолонути, щоб запобігти підвищенню температури всередині холодильника.
- Заповнюйте морозильну камеру повністю, але не перевантажуйте її. Намагайтеся залишати близько 20% вільного простору для циркуляції повітря.
- Щоб уникнути виходу холодного повітря, не відкривайте дверцята часто. Повернувшись з покупками, перш ніж покласти продукти в морозильну камеру, відсортуйте їх. Відкривайте дверцята лише для того, щоб покласти або дістати їжу.
- Переконайтеся, що ущільнювач дверцят чистий і в хорошому стані. Закриті дверцята повинні щільно утримувати аркуш паперу.
- Розморозуйте пристрій регулярно або коли товщина льоду перевищує 5 мм. Товстий лід, що покриває внутрішні стінки пристрою, значно збільшує споживання електроенергії.
- Комбінація шухляд, кошиків і полиць, показана в описі пристрою, є оптимальною для ефективного енергозбереження. Зміна пропонованої комбінації може змінити ефективність.

Номер	ТИП камери	Цільова температура зберігання [°C]	Відповідні продукти
1	Холодильник	+2 ... +8	Яйця, приготовлена їжа, упакована їжа, фрукти та овочі, молочні продукти, тістечка, напої та інші продукти не підходять для заморожування.
2	Морозильник (***)*	≤-18	Морепродукти (риба, креветки, молюски), прісноводна риба та м'ясні продукти (рекомендується до 3 місяців, що довший термін зберігання, то гірші смакові та поживні властивості), підходить для заморожування свіжих продуктів.
3	Морозильник ***	≤-18	Морепродукти (риба, креветки, молюски), прісноводна риба та м'ясні продукти (рекомендується до 3 місяців, що довший термін зберігання, то гірші смакові та поживні властивості), підходить для заморожування свіжих продуктів.
4	Морозильник **	≤-12	Морепродукти (риба, креветки, молюски), прісноводна риба та м'ясні продукти (рекомендується до 3 місяців, що довший термін зберігання, то гірші смакові та поживні властивості), підходить для заморожування свіжих продуктів.
5	Морозильник *	≤-6	Морепродукти (риба, креветки, молюски), прісноводна риба та м'ясні продукти (рекомендується до 3 місяців, що довший термін зберігання, то гірші смакові та поживні властивості), підходить для заморожування свіжих продуктів.
6	0 зірочок	-6 ~ 0	"Свіжа свинина, яловичина, риба, курка, деякі напівфабрикати тощо. (Рекомендується спожити протягом одного дня, бажано не більше 3 днів).
7	Холод	-2 ~ +3	Свіжа/заморожена свинина, яловичина, курка, прісноводна риба тощо. (7 днів при температурі нижче 0°C; при температурі вище 0°C рекомендується спожити протягом того ж дня, бажано не більше 2 днів). Морепродукти (при температурі нижче нуля протягом 15 днів, не рекомендується зберігати при температурі вище 0°C.

Примітка: будь ласка, зберігайте різні продукти у відповідній камері або при відповідній цільовій температурі зберігання для придбаних продуктів.

## 6. ОБСЛУГОВУВАННЯ ТА ЧИЩЕННЯ

### 6.1. РОЗМОРОЖУВАННЯ

**Примітка:** Цей пристрій не має системи автоматичного розморожування. Щоб очистити випарник від інею, використовуйте пластикову плішку. Не використовуйте металеві гострі предмети.

### 6.2. ОЧИЩЕННЯ ВНУТРІШНІХ І ЗОВНІШНІХ ПОВЕРХОНЬ ПРИСТРОЮ

- Своєчасно прибирайте пил за холодильником і на підлозі, щоб покращити охолодження й заощадити електроенергію.
- Регулярно перевіряйте, чи на ущільнювачі дверцят немає сміття. Очищайте ущільнювач дверцят м'якою тканиною, змоченою мильною водою або розведеним мийним засобом.
- Внутрішню частину холодильника слід регулярно очищати, щоб уникнути запаху.
- Перед прибиранням усередині вимкніть живлення, вийміть усі продукти, напої, полиці, шухляди тощо.
- Очищайте внутрішню частину холодильника м'якою тканиною або губкою, додавши дві столові ложки харчової соди на літр теплої води. Потім промийте водою та протріть. Після очищення відкрийте дверцята та дайте їм висохнути природним шляхом, перш ніж увімкнути живлення.
- Ділянки холодильника, які важко очистити (як-от вузькі шаруваті конструкції, щілини або кути), рекомендується регулярно протирати м'якою ганчіркою, м'якою щіткою тощо, а в разі необхідності використовувати допоміжні засоби (як-



- от тонкі палички), щоб у цих місцях не накопичувалися забруднення або бактерії.
- Не використовуйте мило, миючий засіб, порошок, спрей для чищення тощо, оскільки вони можуть спричинити запах усередині холодильника або забруднення їжі.
- Очищайте решітку для пляшок, полиці та шухляди м'якою тканиною, змоченою мильною водою або розведеним мийним засобом. Висушіть їх м'якою тканиною або природним шляхом.
- Протирайте зовнішні поверхні холодильника м'якою ганчіркою, змоченою мильним розчином, миючим засобом тощо, а потім витирайте їх насухо.
- Не використовуйте жорсткі щітки, сталеві кульки для очищення, дротяні щітки, абразиви (як-от зубні паста), органічні розчинники (як-от спирт, ацетон, бананова олія тощо), окуп, кислотні або лужні вироби, які можуть пошкодити зовнішні й внутрішні поверхні холодильника. Кипляча вода та органічні розчинники, такі як бензол, можуть деформувати або пошкодити пластикові деталі.
- Під час очищення не промивайте холодильник безпосередньо водою або іншими рідинами, щоб уникнути короткого замикання або пошкодження електричної ізоляції після занурення.

### 6.3. ПОРАДИ ЩОДО ОЧИЩЕННЯ

На внутрішніх поверхнях пристрою може з'явитися конденсат. Це може статися через зміну кімнатної температури. Витріть залишки вологи. Якщо проблема не зникає, зверніться до кваліфікованого спеціаліста.

### 6.4. ТЕХНІЧНЕ ОБСЛУГОВУВАННЯ

#### Заміна внутрішнього освітлення

Заміну лампи повинен проводити тільки кваліфікований спеціаліст.

#### Обережно поводьтеся (переміщуйте) пристрій

Переміщаючи пристрій, тримайте його за боки або за днище. Ні в якому разі не піднімайте його, тримаючись за краї.

#### Ремонт

Цей пристрій повинен ремонтувати тільки авторизований фахівець із використанням лише оригінальних запасних частин. Не ремонтуйте пристрій самостійно. Ремонт, виконаний недосвідченими особами, може призвести до травм або серйозних несправностей. Зверніться до кваліфікованого спеціаліста

#### Вимикання на тривалий час

Якщо пристрій не використовується протягом тривалого часу, відключіть його від електромережі, вийміть усі продукти й очистіть, залишивши дверцята відкритими, щоб уникнути появи неприємних запахів.

## 7. УСУНЕННЯ НЕСПРАВНОСТЕЙ

Ви можете спробувати самостійно вирішити перелічені нижче прості проблеми. Якщо їхнєможливо вирішити, зверніться у відділ післяпродажного обслуговування.

Проблема	Рекомендоване рішення
Збій операції	<ul style="list-style-type: none"> <li>Перевірте, чи холодильник підключений до мережі живлення;</li> <li>Низька напруга;</li> <li>Перевірте, чи не стався збій живлення або частково не розімкнулися електричні контури.</li> </ul>
Запах	<ul style="list-style-type: none"> <li>Продукти із сильним запахом слід щільно загортати;</li> <li>Перевірте наявність зіпсованих продуктів;</li> <li>Перевірте необхідність очищення внутрішніх поверхонь холодильника.</li> </ul>
Тривала робота компресора	<ul style="list-style-type: none"> <li>Це нормально, що влітку, коли навколишня температура висока, компресор працює довше;</li> <li>Не кладіть у морозильну камеру одночасно забагато продуктів;</li> <li>Не кладіть продукти, доки вони не охолонуть;</li> <li>Часте відкривання дверей холодильника.</li> </ul>
Не вмикається світло	<ul style="list-style-type: none"> <li>Перевірте, чи холодильник підключений до мережі живлення;</li> <li>Перевірте, чи не пошкоджена лампочка;</li> <li>Якщо лампочка пошкоджена, зверніться до спеціаліста, щоб її замінити.</li> </ul>
Двері холодильника не закриваються належним чином.	<ul style="list-style-type: none"> <li>Продукти всередині заважають закрити дверцята;</li> <li>У пристрої забагато продуктів;</li> <li>Холодильник нахилений.</li> </ul>
Гучний шум	<ul style="list-style-type: none"> <li>Перевірте, чи продукти в холодильнику розміщені належним чином, а сам пристрій встановлений рівно;</li> <li>Перевірте правильність встановлення частин холодильника.</li> </ul>

#### Підказки:

- Корпус холодильника може випромінювати тепло під час роботи, особливо влітку, це спричинено випромінюванням конденсатора, і це нормальне явище.
- Конденсація: вона з'явиться на зовнішній поверхні й ущільнювачах дверцят морозильної камери за високої вологості повітря, це нормальне явище, і конденсат можна витерти сухим рушником.
- Під час роботи компресора, особливо його запуску або вимкнення, виникатиме шум.

Таблиця 1. Кліматичні класи

Клас	Символ	Діапазон температури навколишнього середовища (°C)
Розширений помірний	SN	Від + 10 до + 32
Помірний	N	Від + 16 до + 32

Субтропічний	ST	Від + 16 до + 38
Тропічний	T	Від + 16 до + 43

Розширений помірний: вказує на те, що цей прилад призначений для використання в умовах навколишньої температури від 10 до 32 °С;

Помірний: вказує на те, що цей прилад призначений для використання в умовах навколишньої температури від 16 до 32 °С;

Субтропічний: вказує на те, що цей прилад призначений для використання в умовах навколишньої температури від 16 до 38 °С;

Тропічний: вказує на те, що цей прилад призначений для використання в умовах навколишньої температури від 16 до 43 °С.

Замовлені частини в наведеній нижче таблиці можна придбати через такий канал:

Замовлена частина	Постачальник	Мінімальний час постачання
термостати	Професійний персонал із техобслуговування	Принаймні 7 років після виходу останньої моделі на ринок
датчики температури	Професійний персонал із техобслуговування	Принаймні 7 років після виходу останньої моделі на ринок
друковані плати	Професійний персонал із техобслуговування	Принаймні 7 років після виходу останньої моделі на ринок
джерела світла	Професійний персонал із техобслуговування	Принаймні 7 років після виходу останньої моделі на ринок
дверні ручки	Професійні ремонтники та кінцеві користувачі	Принаймні 7 років після виходу останньої моделі на ринок
дверні петлі	Професійні ремонтники та кінцеві користувачі	Принаймні 7 років після виходу останньої моделі на ринок
лотки	Професійні ремонтники та кінцеві користувачі	Принаймні 7 років після виходу останньої моделі на ринок
кошки	Професійні ремонтники та кінцеві користувачі	Принаймні 7 років після виходу останньої моделі на ринок
ущільнювачі дверцят	Професійні ремонтники та кінцеві користувачі	Принаймні 10 років після виходу останньої моделі на ринок

UA

Шановний клієнте,

1. Якщо ви хочете повернути або замінити товар, зверніться в магазин, де ви його купували.  
(Не забудьте взяти із собою рахунок-фактуру на покупку)
2. Якщо пристрій працює несправно та потребує ремонту, зверніться до постачальника післяпродажного обслуговування.

### Технічний паспорт пристрою щодо (ЄС) 2019/2019

Технічний паспорт пристрою можна знайти в Інтернеті та завантажити копію.

Перейдіть на сторінку <https://eprel.ec.europa.eu/> і введіть ідентифікатор моделі свого пристрою, щоб завантажити технічний паспорт.

Ідентифікатор моделі вашого пристрою знаходиться на паспортній табличці ззаду

або всередині.

Помістіть продукти в різні відсіки відповідно до наведеної нижче таблиці.

	Тип продуктів
Дверцята або дверні полиці в холодильній камері	<ul style="list-style-type: none"><li>• Продукти з натуральними консервантами, такі як джеми, соки, напої та приправи. (вжити протягом 1–2 днів)</li><li>• Не зберігайте швидкокопсувні продукти.</li></ul>
Шухляда для фруктів і овочів (шухляда)	<ul style="list-style-type: none"><li>• Фрукти, зелень і овочі слід класти в кошик для свіжих овочів і фруктів окремо. (вжити протягом 1–2 днів)</li><li>• Не зберігайте банани, цибулю, картоплю або часник у холодильнику.</li></ul>
<ul style="list-style-type: none"><li>• Полиця холодильника – нижня</li><li>• Охолодження (ящик/шухляда)</li></ul>	<ul style="list-style-type: none"><li>• Сире м'ясо, птиця, риба (короткочасне зберігання)</li></ul>
Полиця холодильника – середня	<ul style="list-style-type: none"><li>• Молочні продукти, яйця (вжити протягом рекомендованого часу)</li></ul>
Полиця холодильника – верхня	<ul style="list-style-type: none"><li>• Продукти, які не потрібно готувати, наприклад готові до вживання продукти, м'ясні делікатеси й залишки їжі (зберігати лише 1–2 дні)</li></ul>
Шухляда/полиця морозильної камери	<ul style="list-style-type: none"><li>• Продукти для тривалого зберігання.</li><li>• Нижня шухляда/полиця для сирого м'яса, птиці та риби. (Час зберігання – 4 місяці)</li><li>• Середня шухляда/полиця для заморожених овочів, чіпсів. (Час зберігання – 6 місяців)</li><li>• Верхня шухляда/полиця для морозива, заморожених фруктів, замороженої випічки. (Час зберігання – 2 місяці)</li></ul>

UA

## 8. ГАРАНТІЇ

### Гарантія та обмеження відповідальності

Гарантія Qilive є комерційною гарантією, що надається компанією SAS OIA, що знаходиться за адресою: 200 rue de la Recherche, 59650 Villeneuve d'Ascq, на продукцію торгової марки Qilive, в якості виробника.

Гарантія Qilive не обмежує ваші права на отримання безкоштовної юридичної гарантії відповідності, що діє в країнах збуту. Для отримання додаткової інформації про юридичну гарантію відповідності, зверніться, будь ласка, до ЗУП (Загальні умови продажу) вашого дистриб'ютора.

На що поширюється гарантія Qilive?

Гарантія Qilive покриває ремонт або заміну вашого пристрою Qilive на еквівалентний з точки зору функціональності, якщо протягом гарантійного періоду виявиться, що він має дефект матеріалу або виготовлення. Відремонтовані чи замінені вироби можуть містити нові та/чи відновлені елементи чи обладнання.

Якщо виріб не підлягає ремонту або заміні, Qilive відшкодує вартість покупки, зазначену в документі, що підтверджує покупку.

На що не поширюється гарантія Qilive?

Пристрої Qilive розроблені і створені для забезпечення безперервного високого рівня роботи в звичайних домашніх умовах. Якщо пристрій Qilive використовується за призначенням і виходить з ладу протягом гарантійного періоду, ми несемо відповідальність за його ремонт або заміну.

Однак за деяких обставин гарантія Qilive не покриває ремонт або заміну пристрою. Ці обставини чітко зазначені. Випадки, не передбачені цим документом, є такими:

- Нормальний знос, включаючи косметичний (наприклад, подрипини, вм'ятини або вандалізм) і деталі, які можуть зношуватися з часом (наприклад, запобіжник, ремінь, шина, гальмо, фільтри тощо).
- Пошкодження або проблеми, викликані неправильним використанням або використанням не відповідно до заводської таблиці або інструкції з експлуатації, нещасним випадком, внесенням змін.
- Пошкодження, спричинені недотриманням рекомендацій з технічного обслуговування приладу.
- Використання або зберігання, що шкочить належному стану пристрою (окислення, корозія), використання енергії, використання або установка не відповідно до інструкцій виробника або недбалість або використання невідповідних периферійних пристроїв, програмного забезпечення або витратних матеріалів.
- Професійне, колективне, промислове, комерційне використання виробу або для інших цілей, ніж звичайне побутове використання в країні, де він був придбаний.
- Пошкодження, викликані зовнішніми чинниками, такими як транспорт, погодні умови, відключення або перепади електроенергії.
- Змінені пристрої, в яких гарантійна пломба чи серійний номер були пошкоджені, зіпсовані, видалені або окиснені.
- Пошкодження, викликані будь-яким втручанням, здійсненим неуповноваженою особою.
- Оновлення програмного забезпечення, у зв'язку зі зміною налаштувань мережі
- Пошкодження, спричинені дією зовнішніх чинників (сторонні предмети, комахи тощо).
- Уміст пристроїв - морозильна камера, пральна машина...- (їжа, одяг, ...)
- Проблеми у роботі виробу, викликані використанням стороннього програмного забезпечення для модифікації, зміни, адаптації чи модифікації існуючого.
- Проблеми у роботі виробу, викликані використанням без приладдя, що постачається разом із виробом або схваленого компанією Qilive.

Клієнт несе відповідальність за регулярне резервне копіювання даних, що містяться на його жорсткому диску або у внутрішній пам'яті його пристрою, перед ніж віднести його в місце збору.

Qilive не може нести відповідальність за втрату або знищення збережених даних або за пошкодження програмного забезпечення, що виникло, зокрема, в результаті ремонту або поломки.

Також Qilive не зобов'язаний перевіряти, чи користувач виняв карти SIM/SD з виробів, що повертаються.

Які умови надання гарантії?

Умови та положення гарантії Qilive є такими:

Гарантія вступає в силу з дати покупки (або з дати поставки, якщо вона була здійснена пізніше).

Ви повинні надати підтвердження доставки/купівлі перед виконанням будь-яких робіт на вашому пристрої, що підлягає гарантійному обслуговуванню. Звертаємо вашу увагу, що без цього підтвердження з вам буде стягнена вартість будь-яких виконаних робіт. Зберігайте квитанцію чи накладну на покупку.

Всі втручання будуть здійснюватися компанією Qilive або її уповноваженими агентами.

Будь-яка замінена деталь стає власністю Qilive.

Гарантія надає переваги на додаток до ваших законних прав як споживача, не впливаючи на них.

Як отримати гарантію Qilive?

Щоб подати запит на ремонт або заміну виробу за гарантією Qilive для всіх країн, за винятком Франції, принесіть виріб на стійку рестрації в місці продажу, маючи при собі документ, що підтверджує покупку (наприклад, товарний чек), виріб та аксесуари, що додаються до нього, включаючи ті, що необхідні для його належного функціонування (блок живлення, адаптер тощо), з оригінальною упаковкою. Якщо ви хочете отримати страхове покриття у Франції, зробіть запит на нашому сайті: <https://auth.savv-login.auchan.fr>. Важливо мати інформацію стосовно дати придбання, моделі та серійного номеру чи IMEI (міжнародний ідентифікатор мобільного обладнання) (цю інформацію ви можете знайти на товарі, упаковці чи доказі покупки).

Коли вступає в силу гарантія?

Гарантія Qilive набуває чинності з дати придбання або доставки вашого пристрою, залежно від того, яка з цих дат є пізнішою.

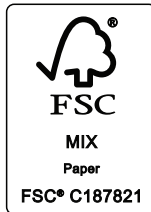
На ваш виріб надається гарантія Qilive 3 роки на деталі та роботу.

Чи можна передавати гарантію Qilive?

Гарантія Qilive можуть бути передані разом з пристроєм за умови надання доказу оригінальної покупки у офіційного дилера, а також доказу будь-якої зміни власника пристрою, що підтверджує належний робочий стан пристрою на момент зміни власника.







600158191  
600158192  
HD-273FN



SAS OIA, 200, rue de la Recherche, Le Colibri  
BP 169, 59650 Villeneuve d'Ascq, France  
[www.auchan-retail.com/contact](http://www.auchan-retail.com/contact)

-----  
Made in China

