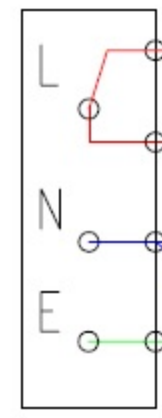
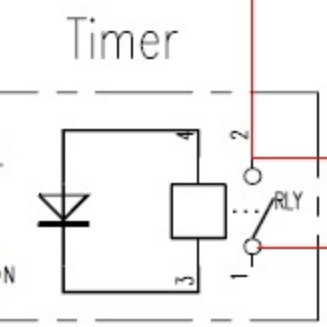


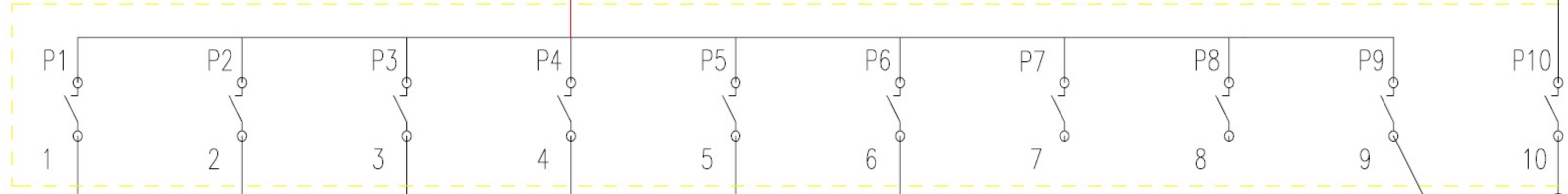
Power INPUT
Terminal Box



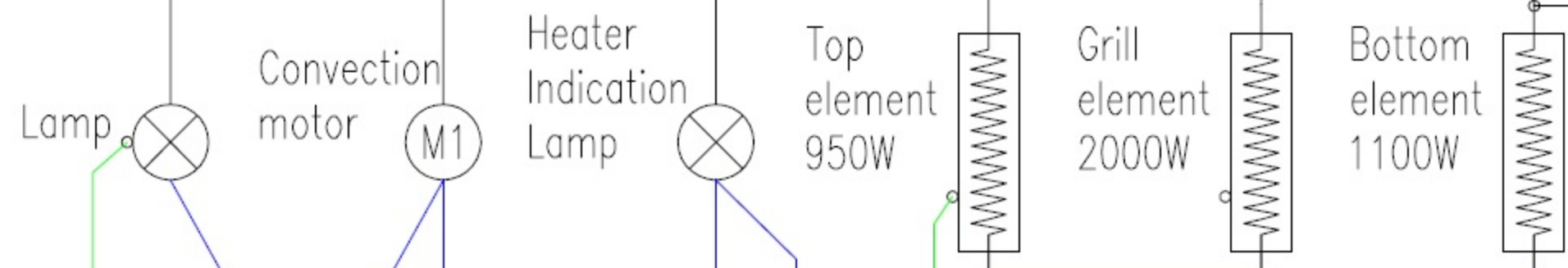
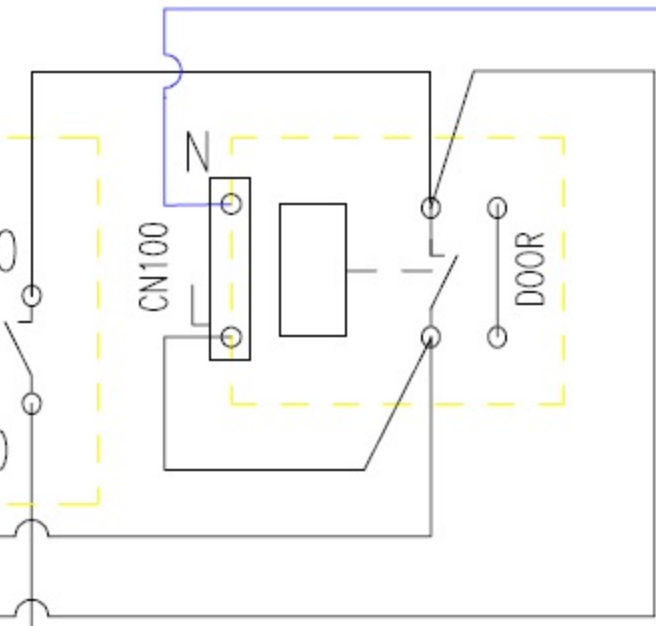
Thermal cut-out
250°C



Switch K1



ECO Control Board



Thermostat

Thermal cut-out
55°C

Cooling motor
(M2)

