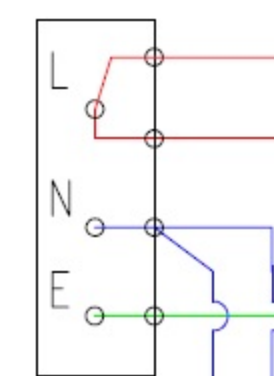
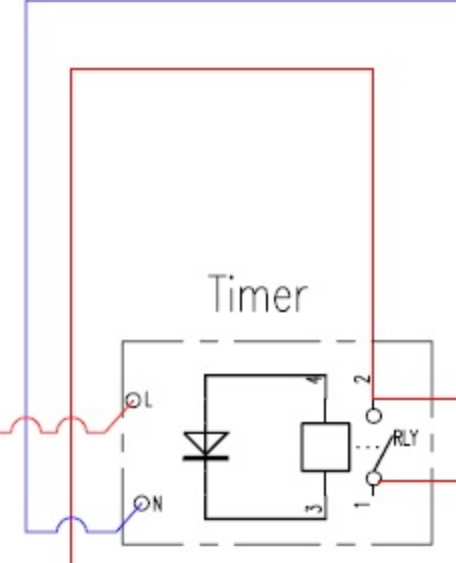


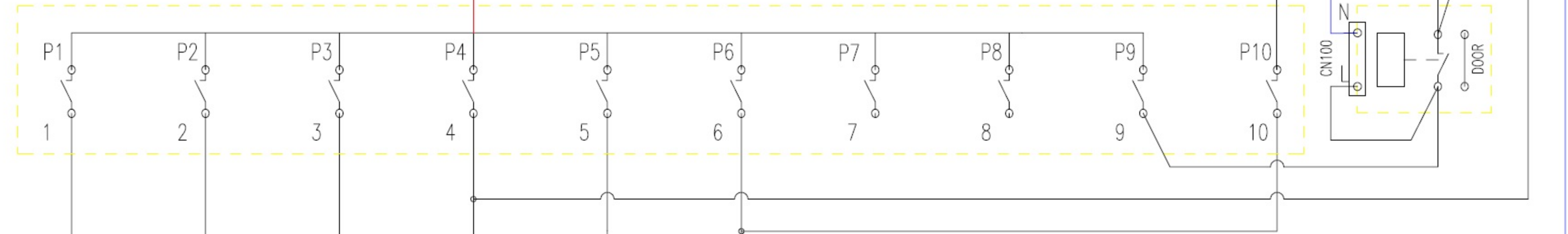
Power INPUT  
Terminal Box



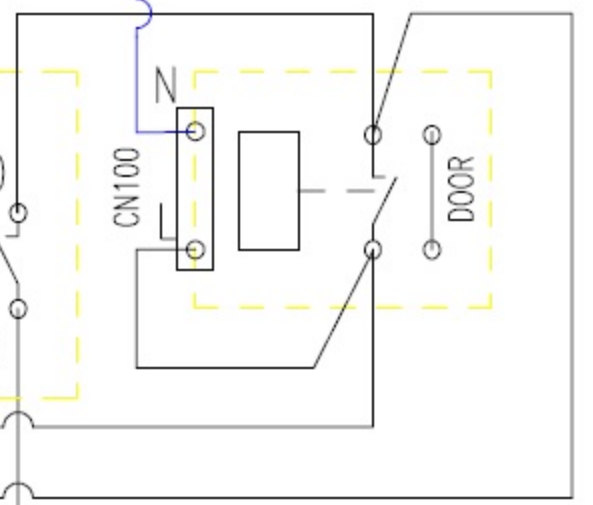
Thermal cut-out  
250 $\tau$



Switch K1

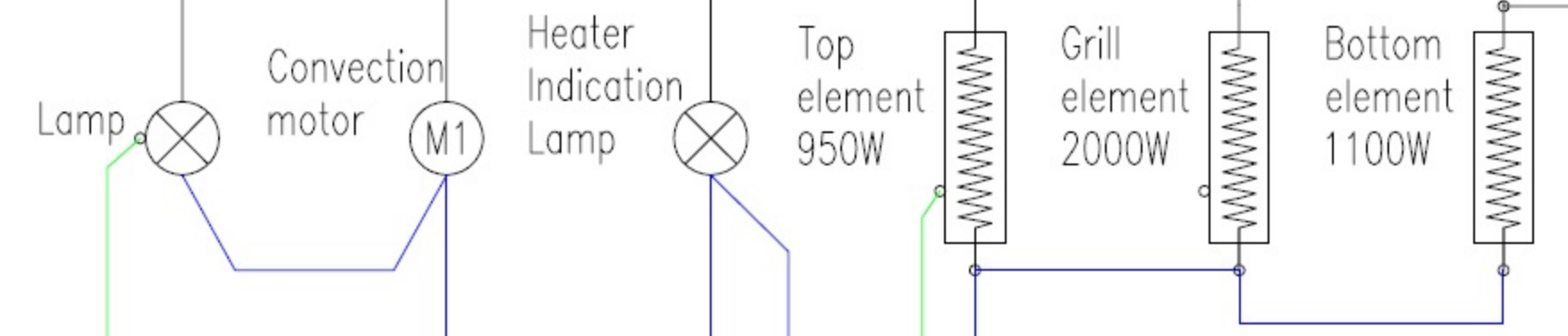


ECO Control Board



Thermal cut-out  
55 $\tau$

Cooling motor  
M2



Thermostat

