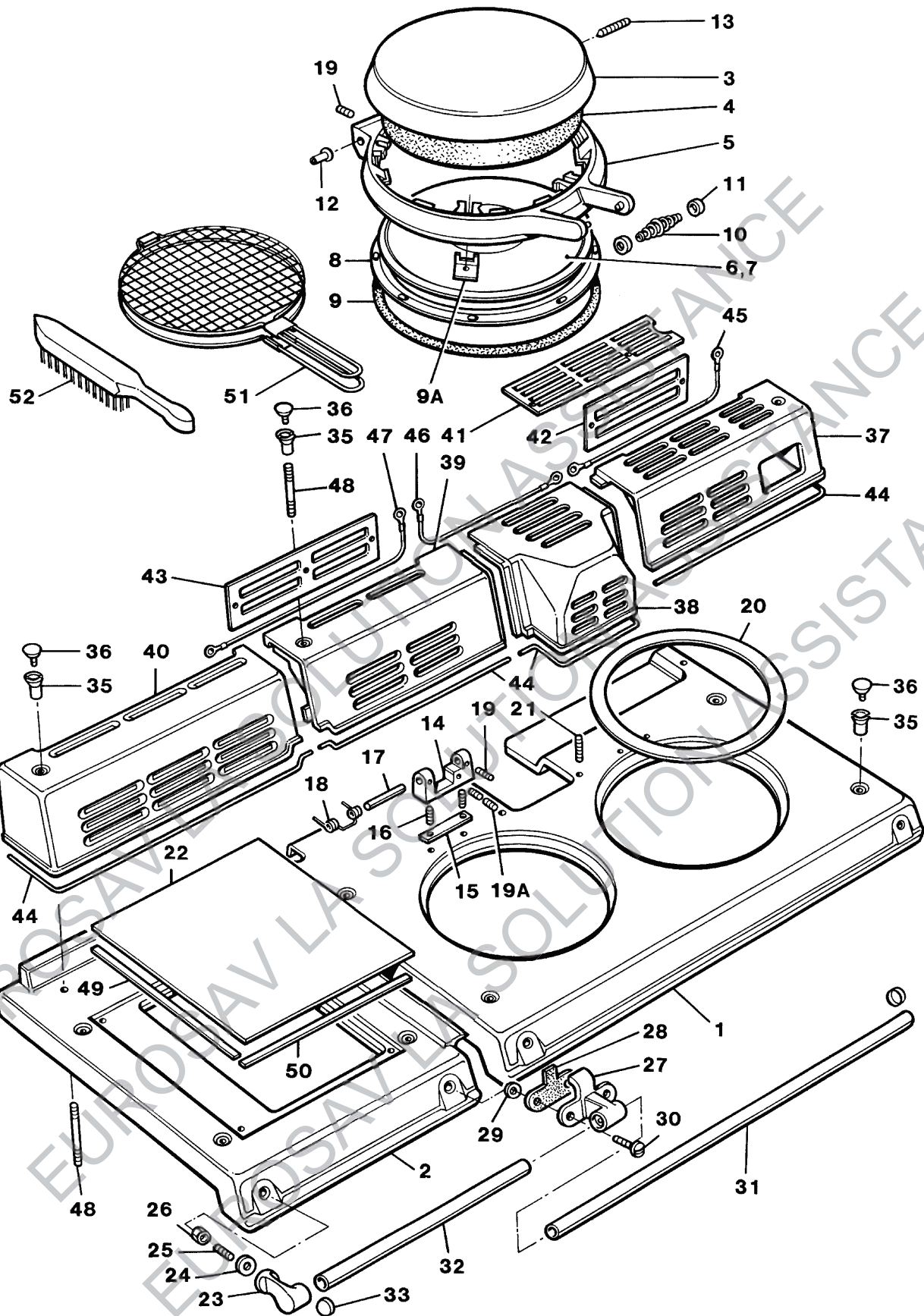
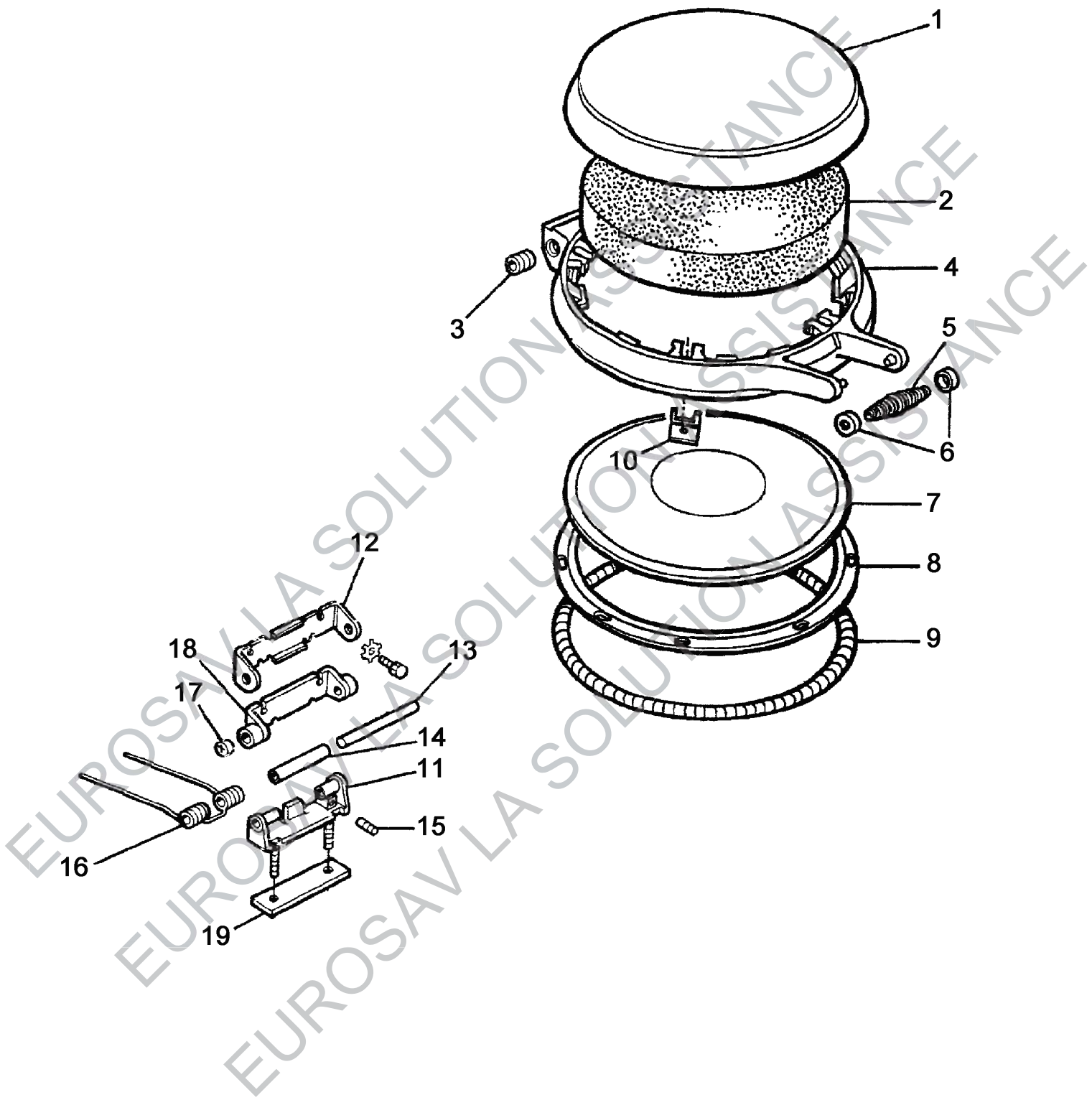


AGA ELECTRIC MKIII 1 PHASE 4 OVEN

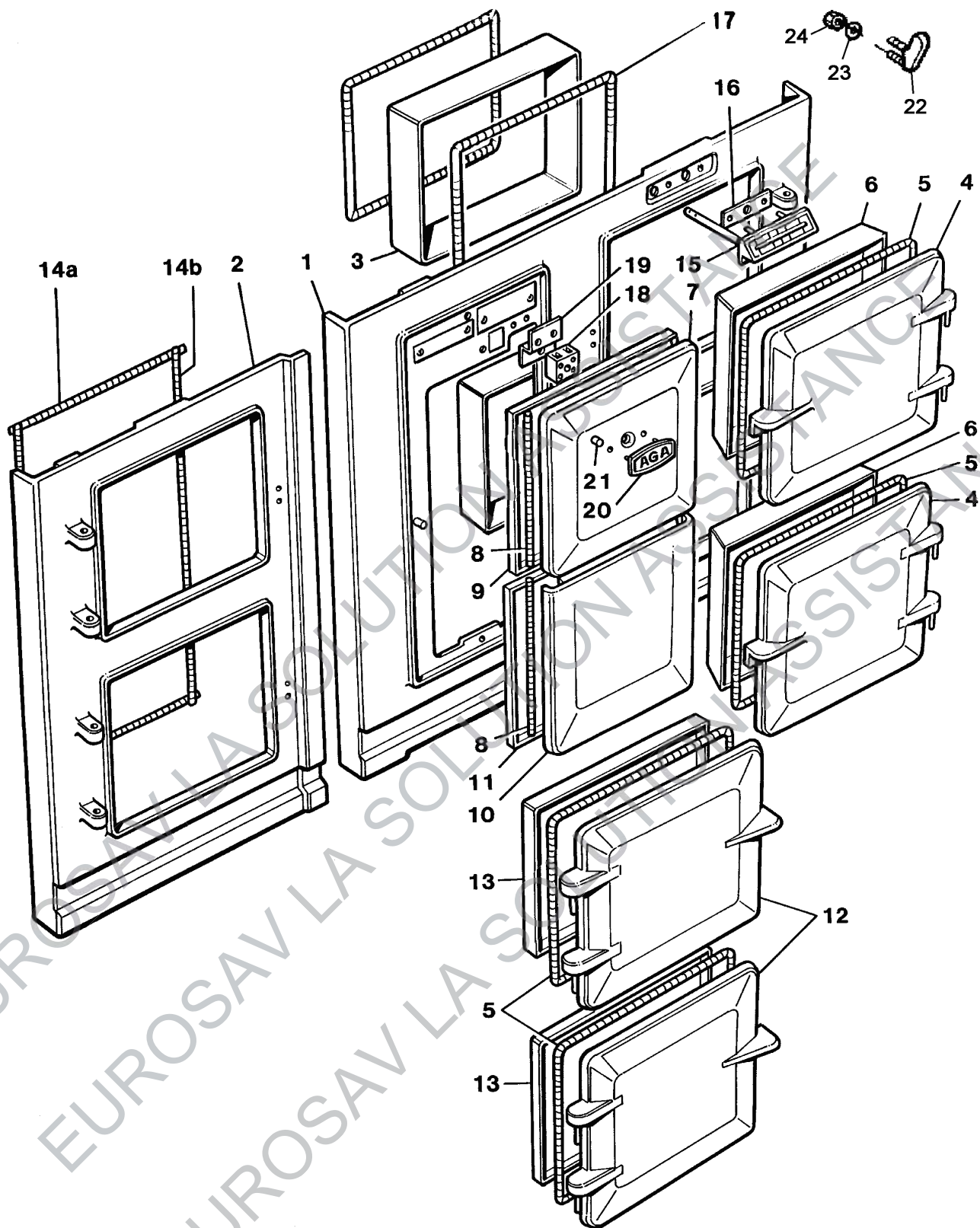
SPARE PARTS MANUAL



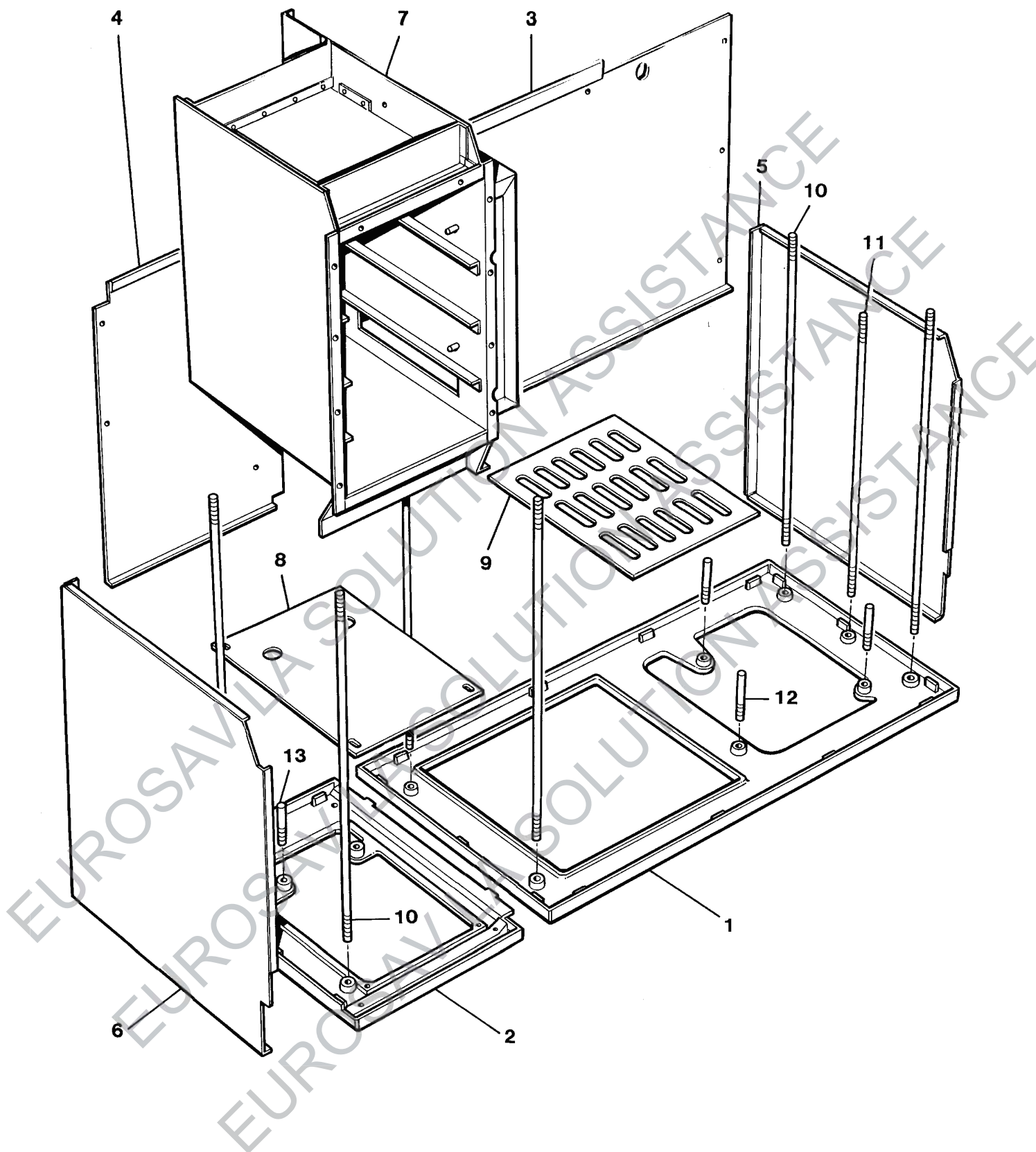
AGA ELECTRIC MKIII 1 PHASE 4 OVEN
 TOP PLATES & SHROUDS
 AGA HINGES & INSULATING COVERS (UP TO M05-008)



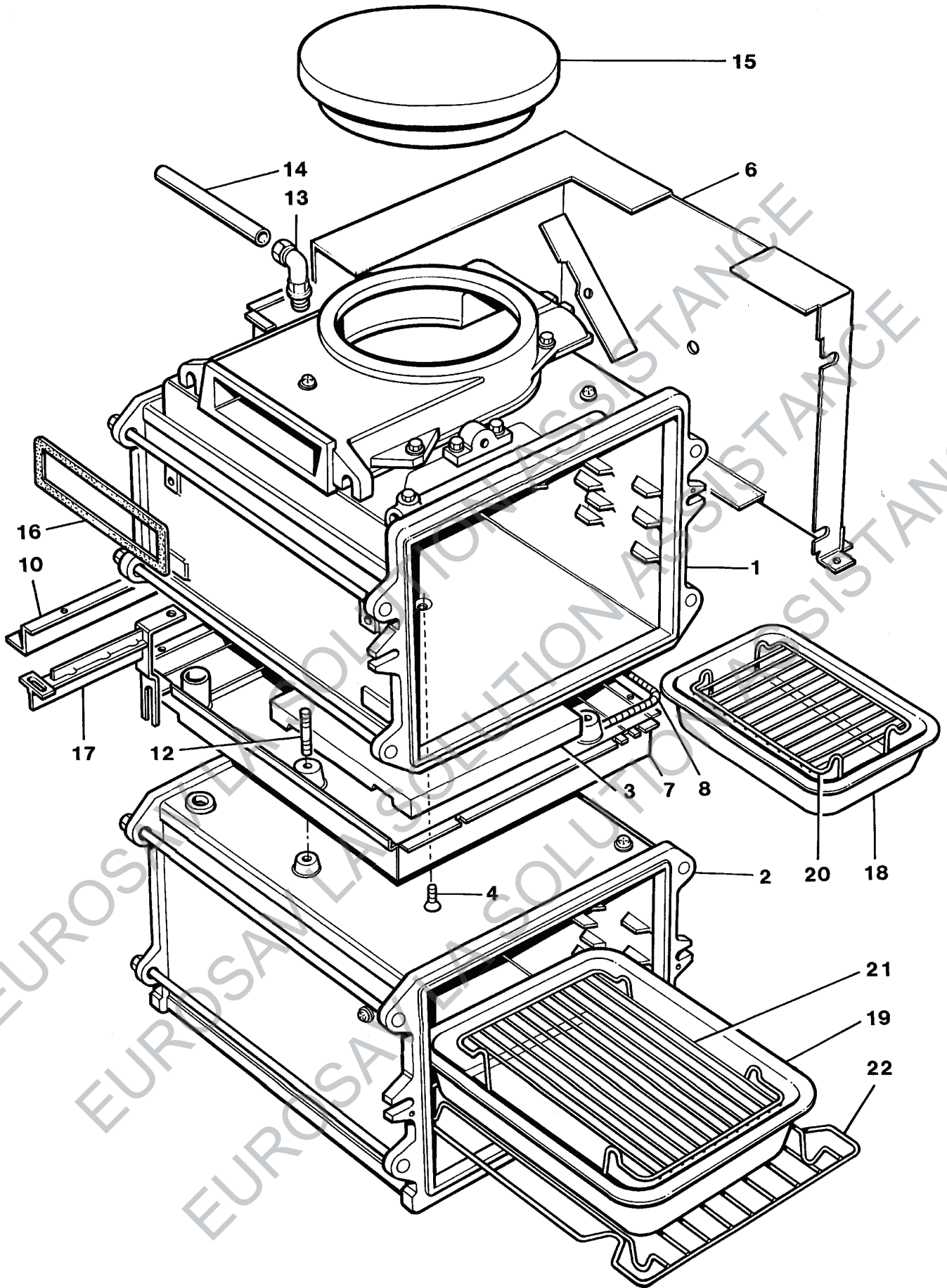
AGA HINGES & INSULATING LIDS
FROM MOD CHANGE M05-008



AGA ELECTRIC MKIII 1 PHASE 4 OVEN
FRONT PLATES & DOORS

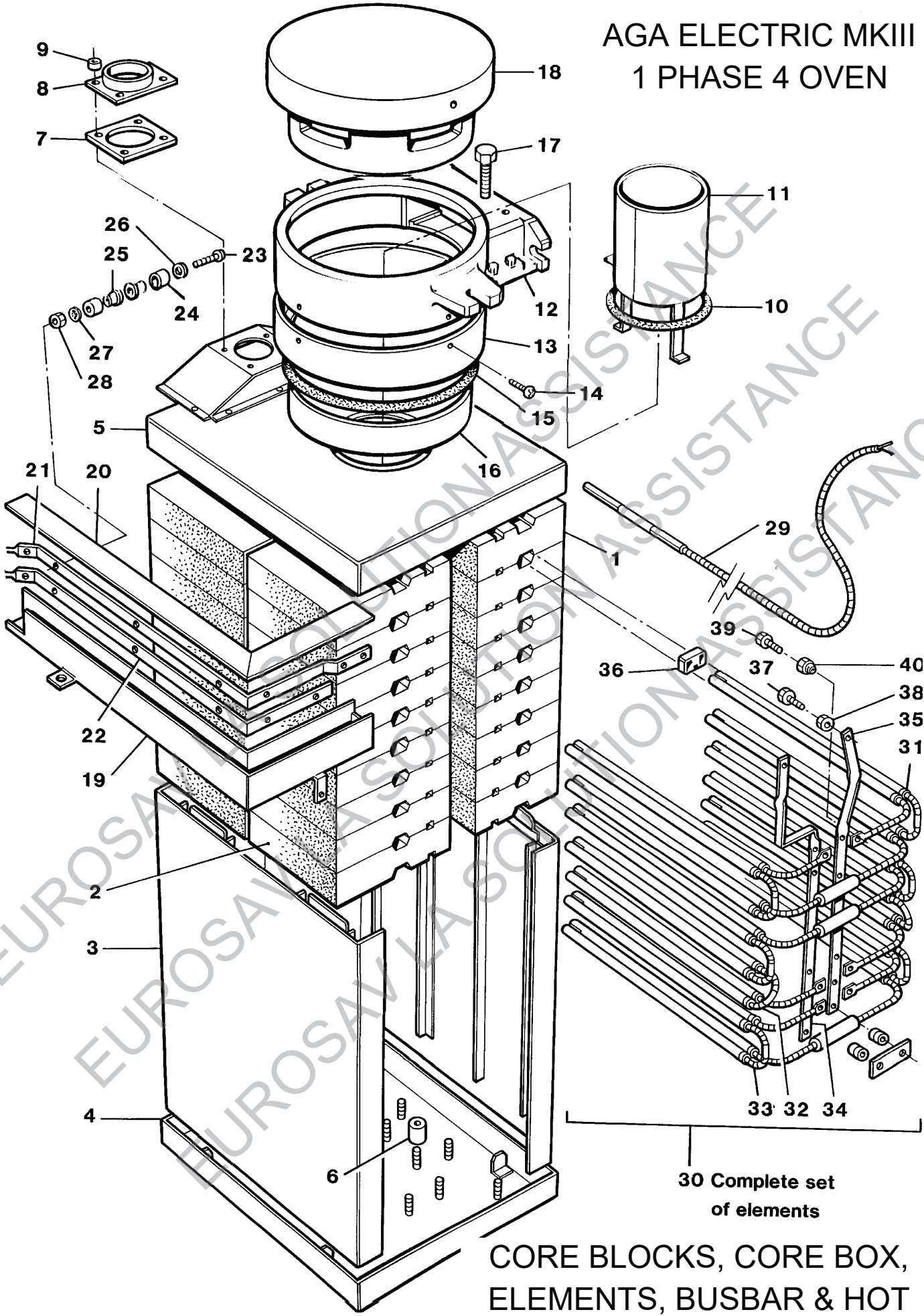


AGA ELECTRIC MKIII 1 PHASE 4 OVEN
BASES, SIDES & BACK PLATES, HOT CUPBOARD
(OVENS)



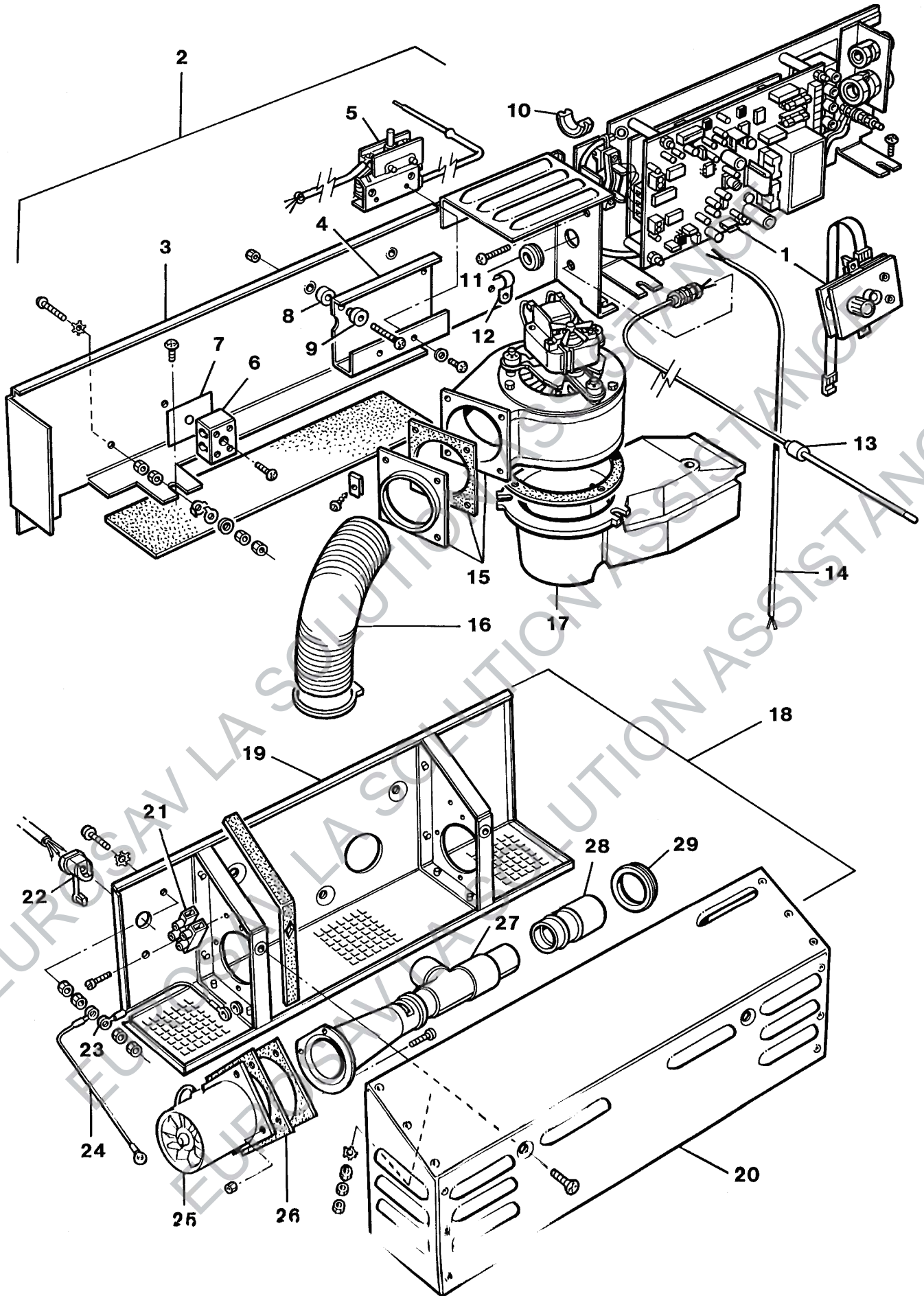
AGA ELECTRIC MKIII 1 PHASE 4 OVEN
OVENS & ACCESSORIES, SIMMERING PLATE

AGA ELECTRIC MKIII
1 PHASE 4 OVEN

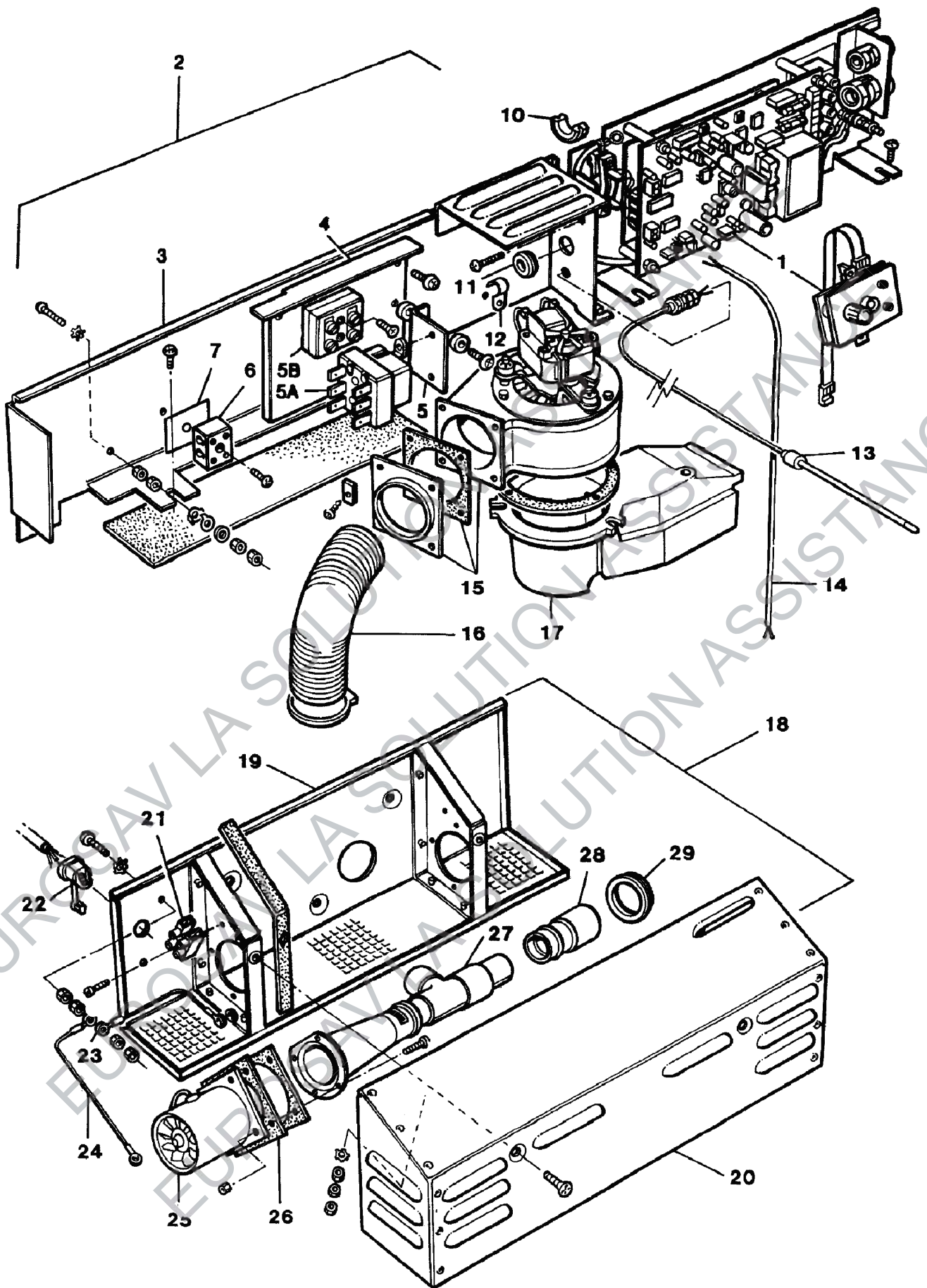


30 Complete set
of elements

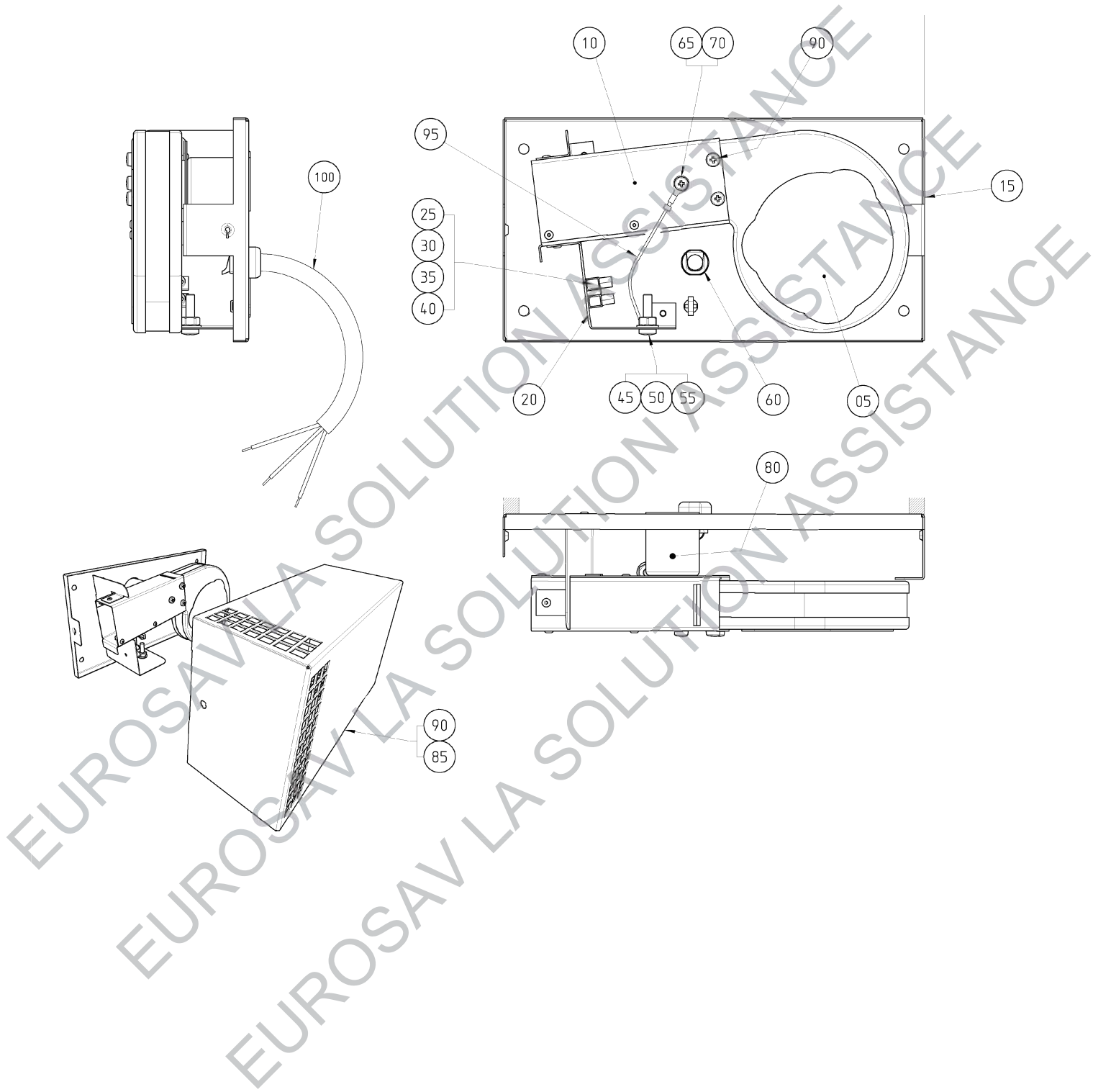
CORE BLOCKS, CORE BOX,
ELEMENTS, BUSBAR & HOT
SPOT



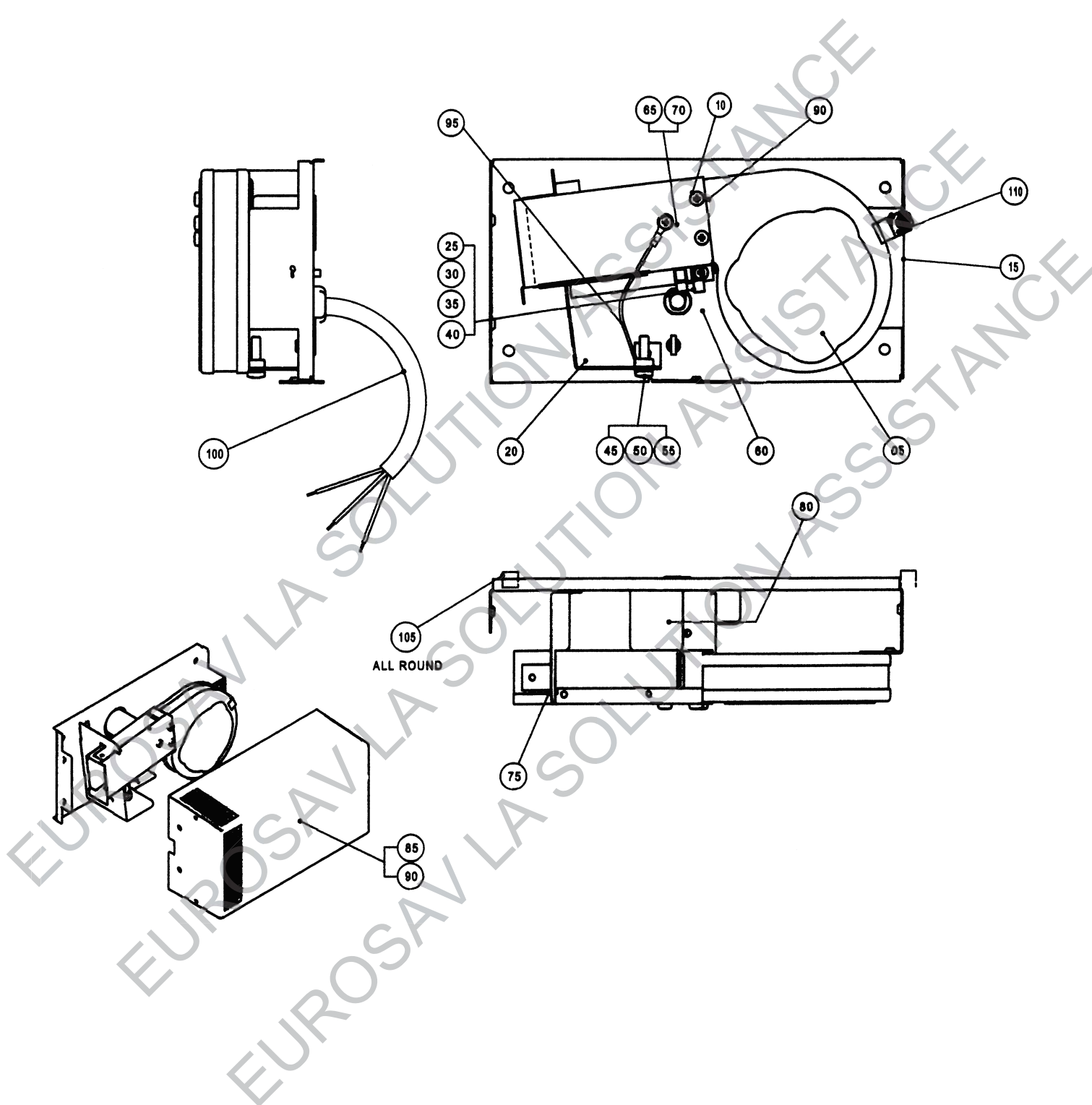
AGA ELECTRIC MKIII 1 PHASE 4 OVEN
CHASSIS, CONTROLLER, CIRC FAN & VENT FAN



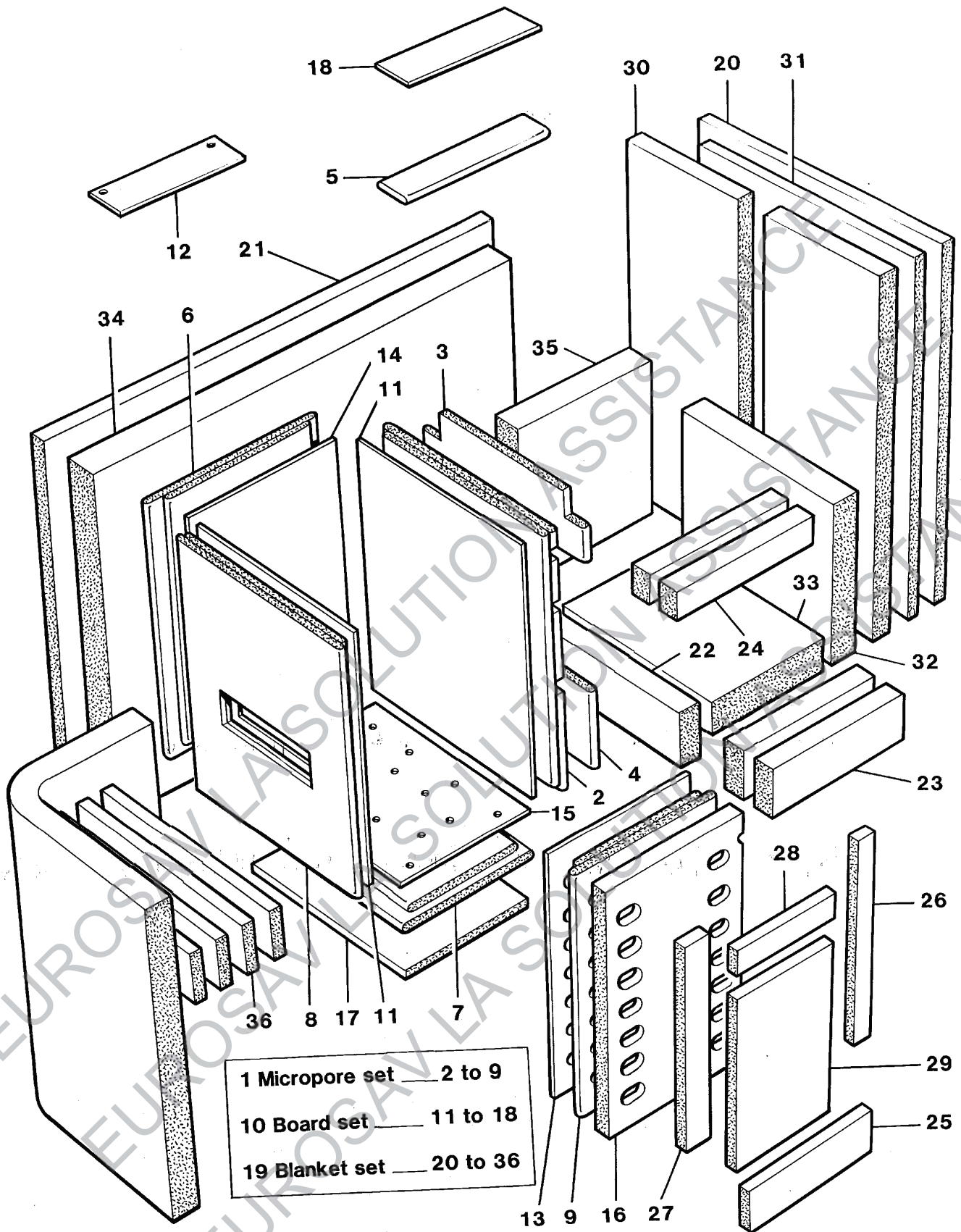
AGA ELECTRIC MKIII 1 PHASE 4 OVEN
 EGO CHASSIS, CONTROLLER, CIRC FAN & VENT FAN



AGA ELECTRIC MKIII 1 PHASE 4 OVEN
OVEN VENTING FAN ASSEMBLY UP TO M08-174



AGA ELECTRIC MKIII 1 PHASE 4 OVEN
OVEN VENTING FAN ASSEMBLY FROM M08-174



AGA ELECTRIC MKIII 1 PHASE 4 OVEN
INSULATION