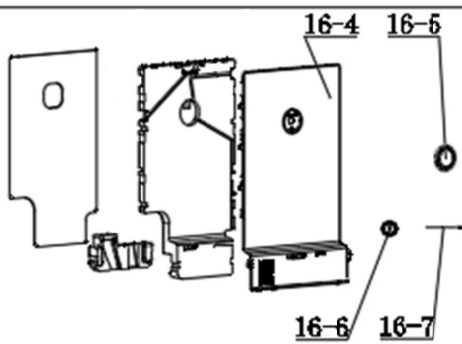
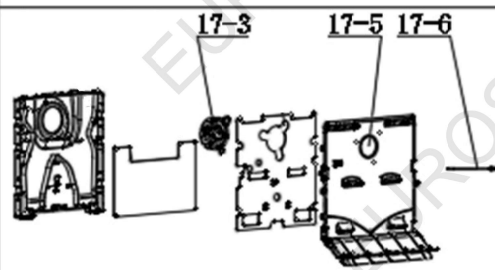


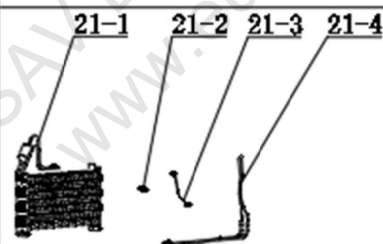
NO.16



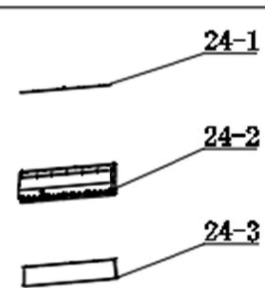
NO.17



NO.21



NO.24



NO.27and29

