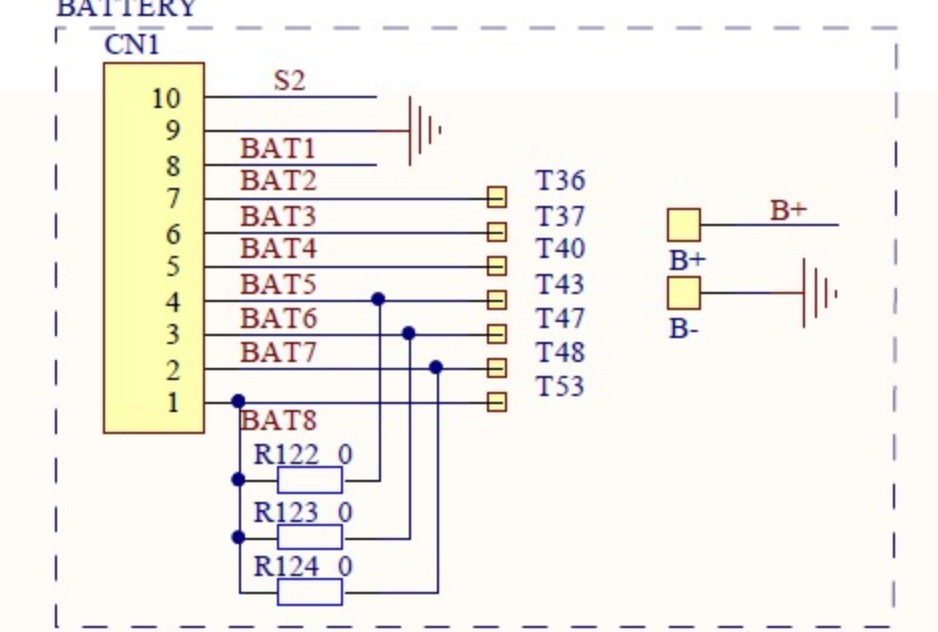


- 1, 5 : R83, R74, R118, C76, C75, C89, R97, R113, R73, C88, C45, C70, R123, R124 ; R119, R120, R117, R116, R115, R114, R68, R122
 2, 6 : R74, R118, C75, C89, R119, R116, R113, R73, C45, C70, R122, R124 ; R83, C76, R120, R117, R115, R114, R68, R97, C88, R123
 3, 7 : R118, C89, R119, R120, R115, R116, R73, C70, R122, R123 ; R74, C75, R83, C76, R117, R113, C45, R97, C88, R114, R68, R124
 4, 8 : R117, R119, R120, R114, R115, R116, R122, R123, R124



NOTE: 1、Add C48 for bypass capacitor 2019.1.23
 2、Change the PIN4&8 for U3 2019.2.28
 3、U1 PIN2&3 change 2019.2.28
 4、DRIVER SLEEP PULLDOWN TO GND 2019.2.28
 5、V to driver IC change to PIN10 2019.2.28