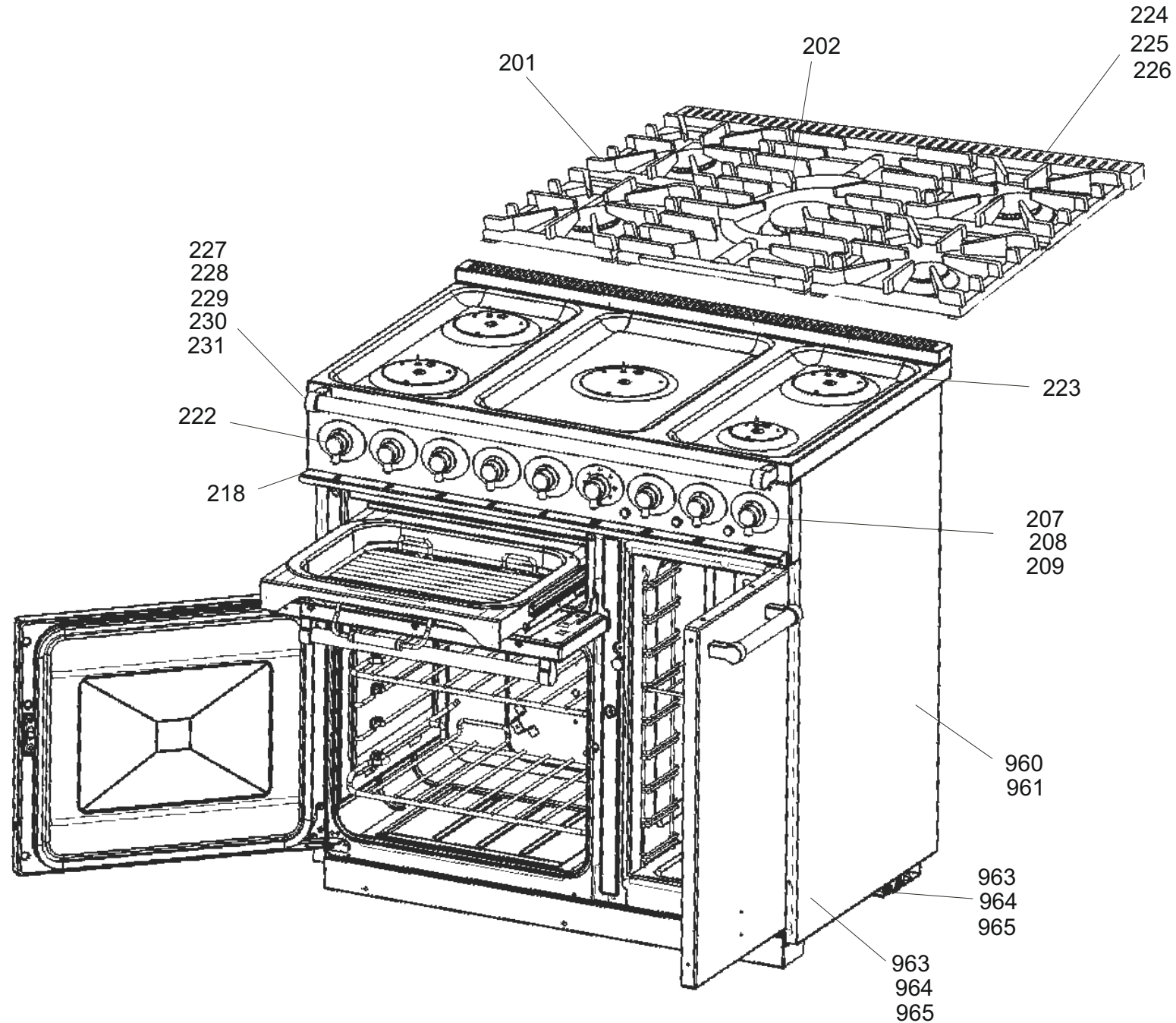


# FALCON DELUXE 90 DUAL FUEL

DATE 06.10.06 ISSUE STATUS 01

DSL0322 P01





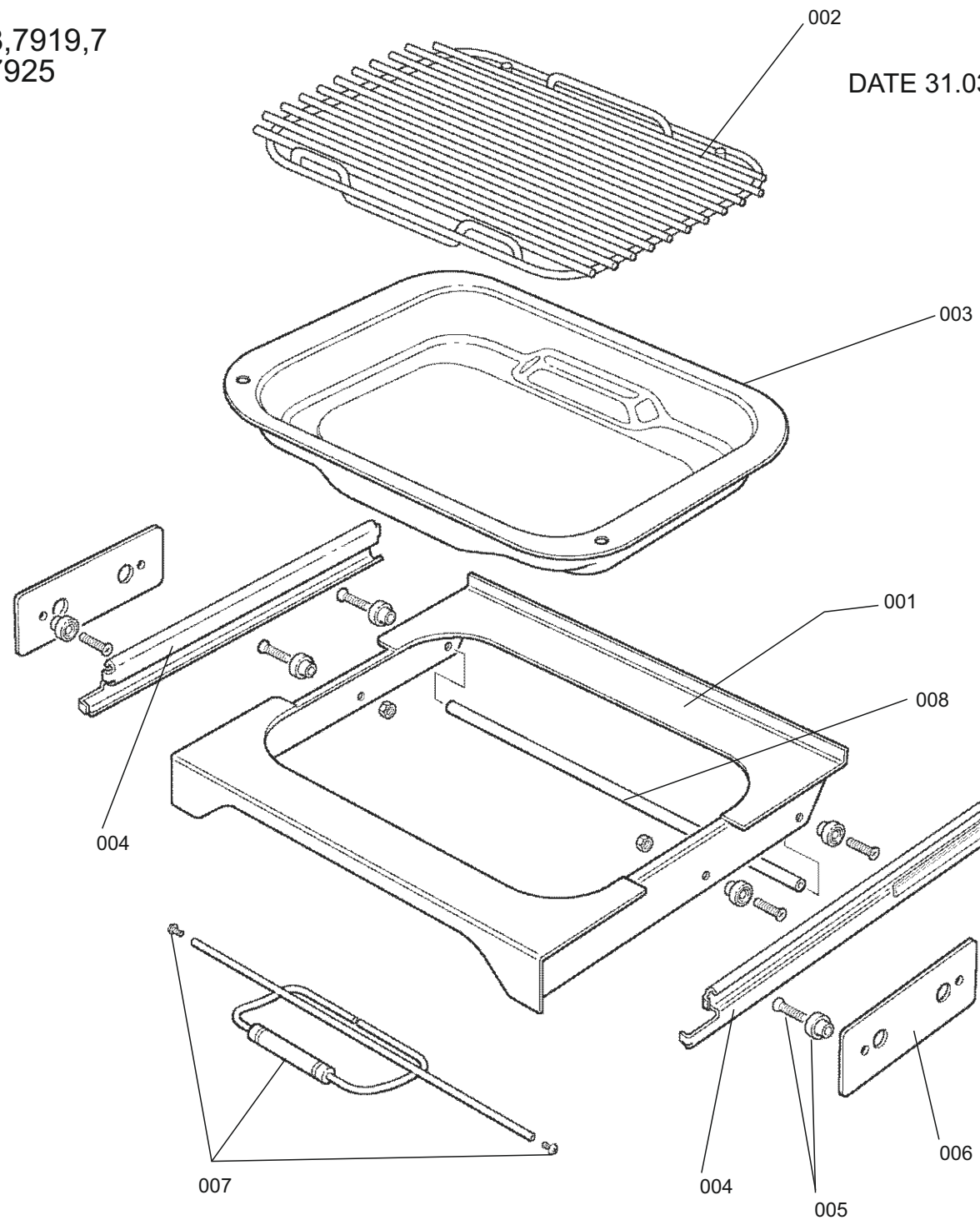
FACIA - CONTROLS - KNOBS AND SIDES

UP TO SER No 7999 :  
7914,7915,7916,7917,7918,7919,7  
920,7921,7922,7923,7924,7925

DATE 31.03.08

**DSL0 322 P02**

ISSUE STATUS 03

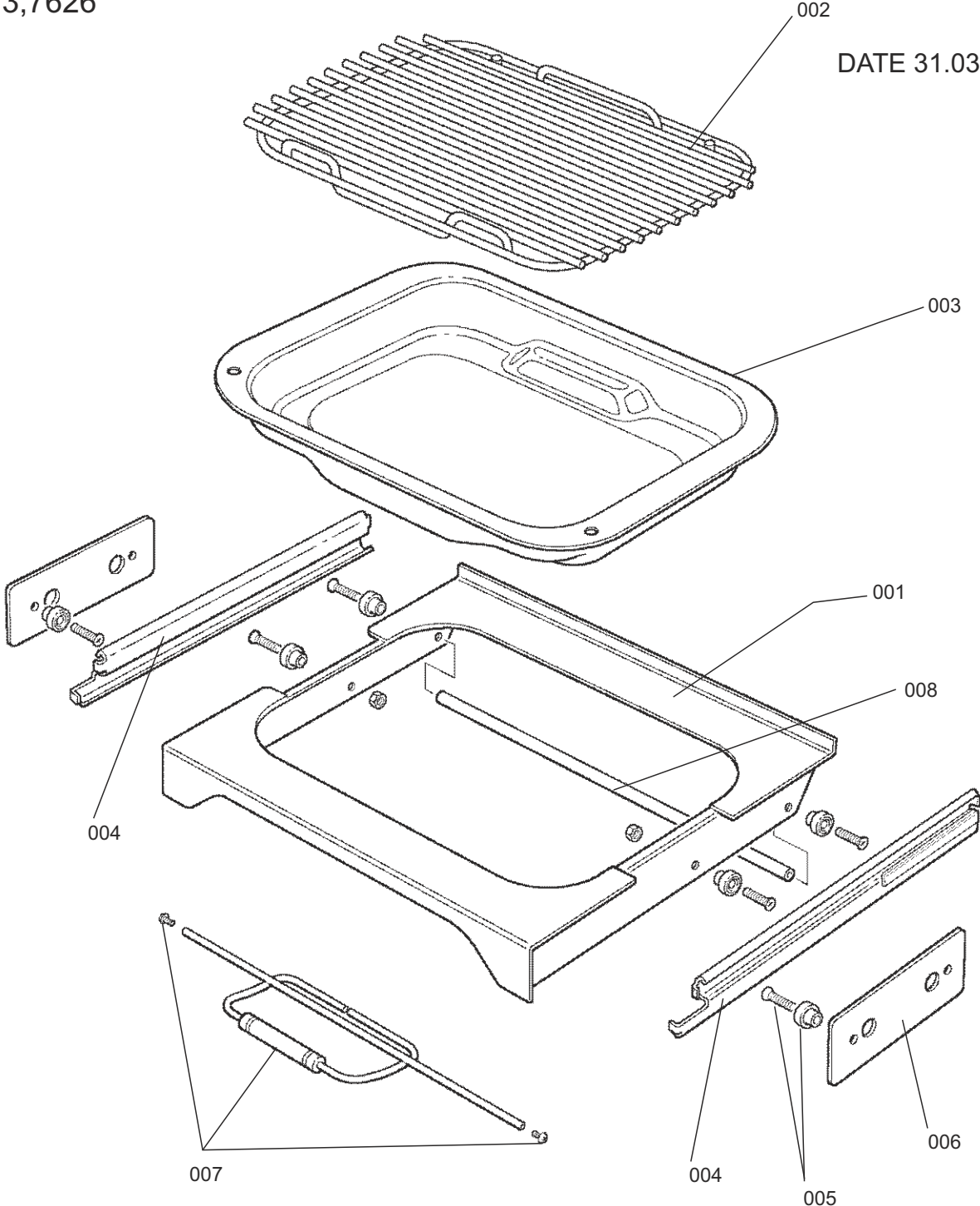


**GRILL PAN**

UP TO SER No 10999 : 7913,7626

**DSL0 322 P02-1**  
ISSUE STATUS 03

DATE 31.03.08

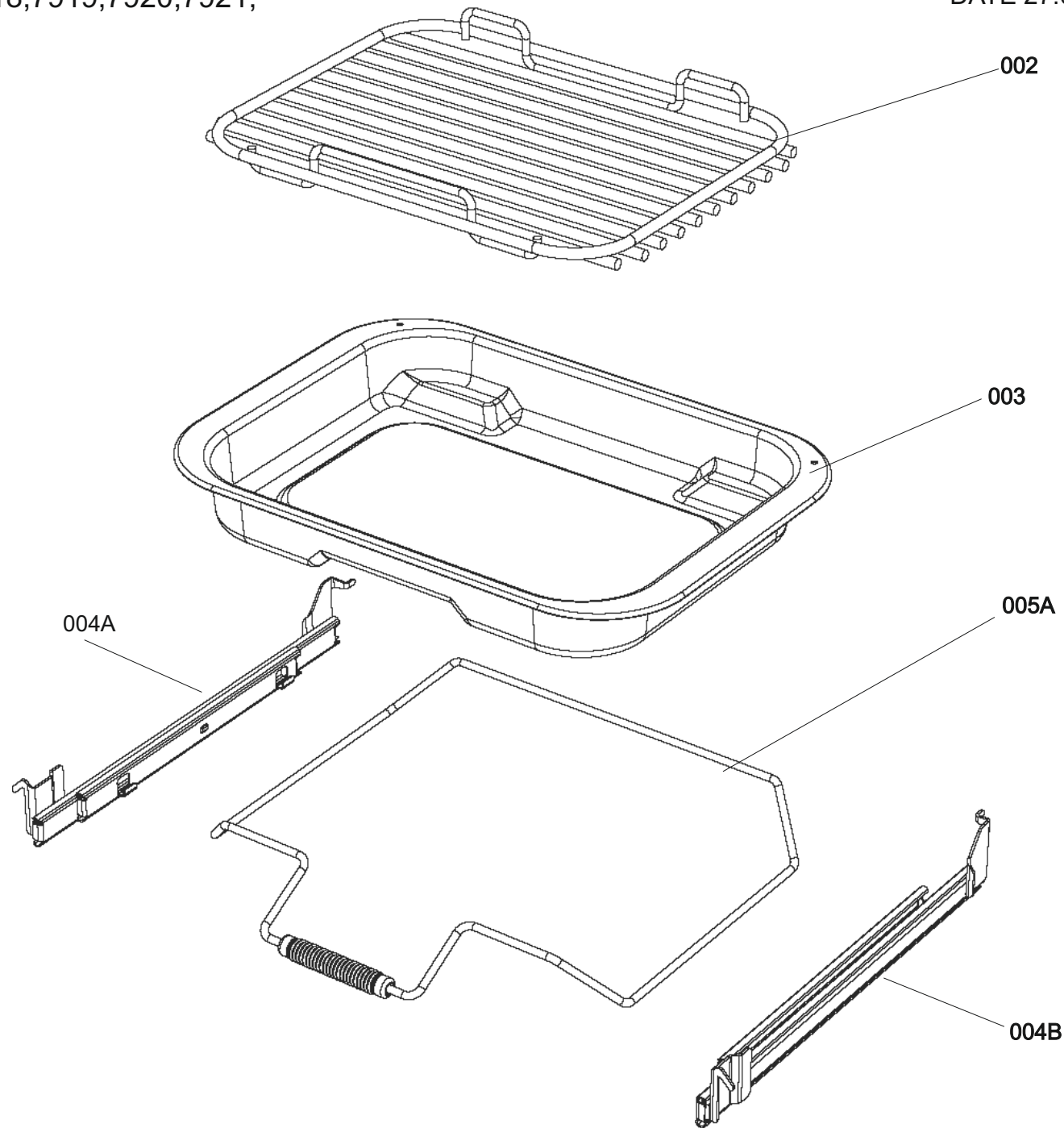


**GRILL PAN**

FROM SER No8000 - UP TO SER No 10999:  
7914,7915,7916,7917,7918,7919,7920,7921,  
7922,7923, 7924,7925

DSL322 P02A

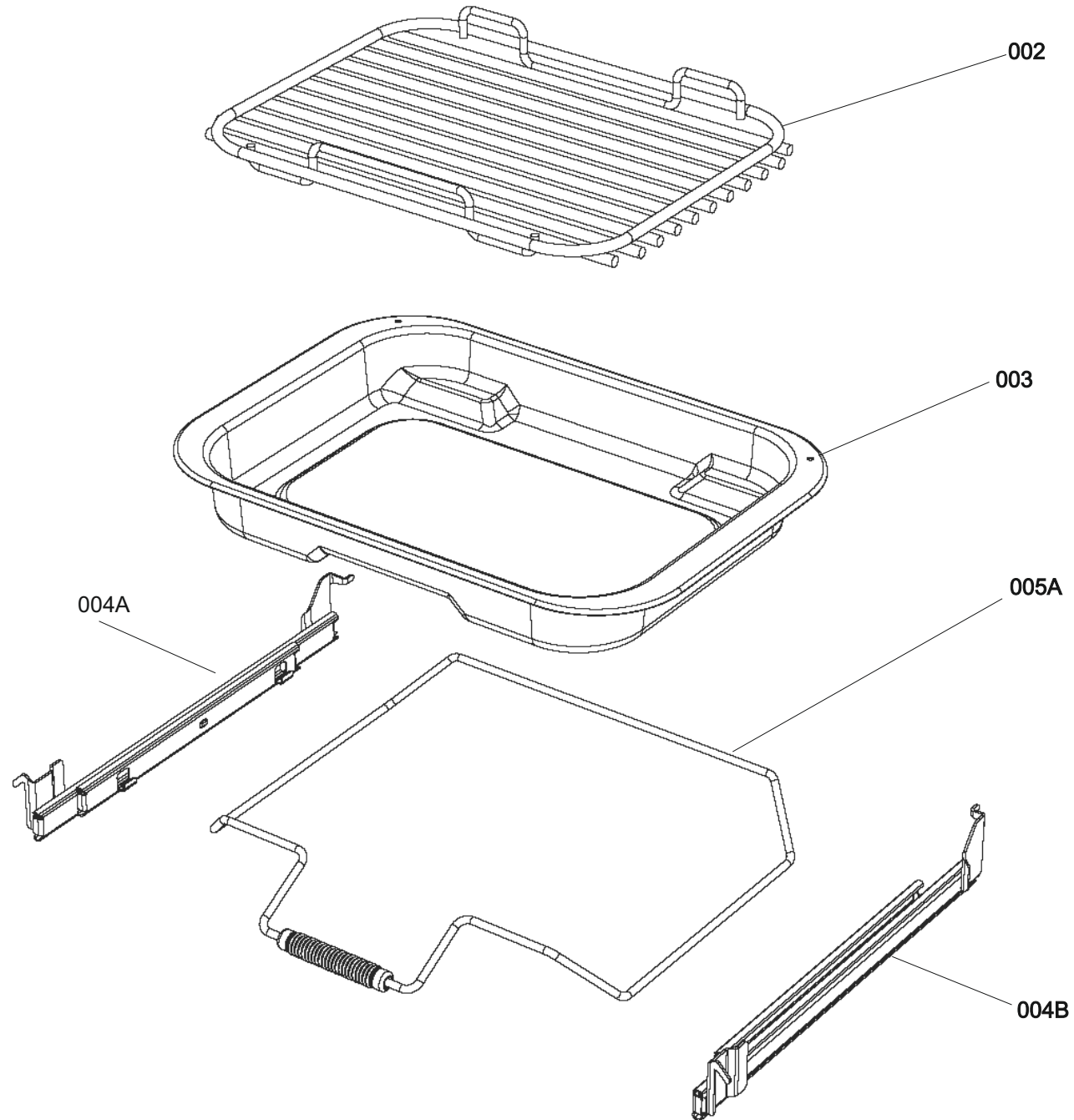
DATE 27.03.08 ISSUE STATUS 02



**GRILL PAN**

FROM START - UP TO SER No10999  
8240, 8241

DSL322 P02A  
DATE 27.03.08 ISSUE STATUS 02

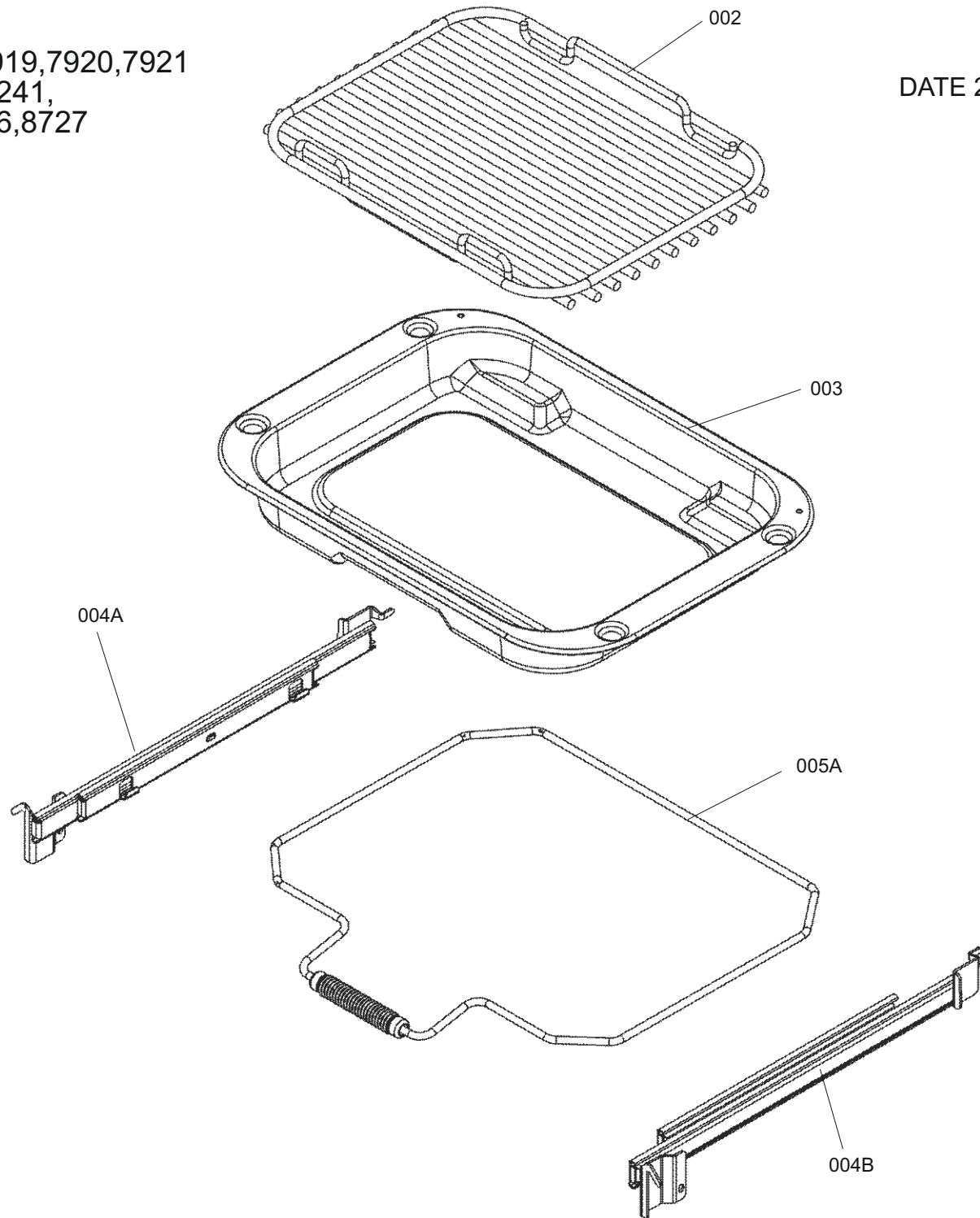


**GRILL PAN**

FROM SER No11000 -  
7914,7915,7916,7917,7918,7919,7920,7921  
,7922,7923,7924,7925,8240,8241,  
FROM START 8709,8710,8726,8727

DATE 28.04.08  
ISSUE STATUS 03

DSL322 P03B

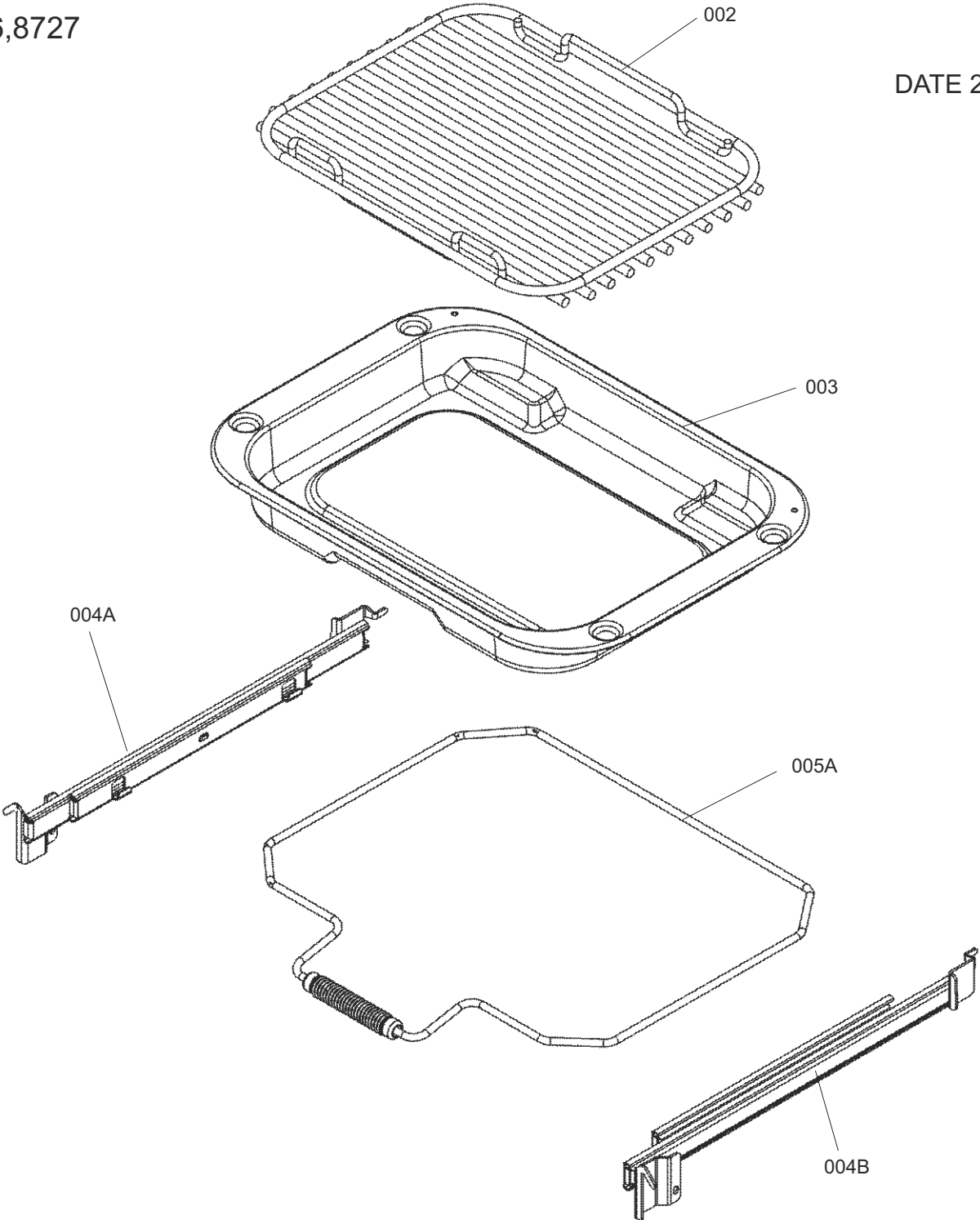


**GRILL PAN**

FROM START 8709,8710,8726,8727

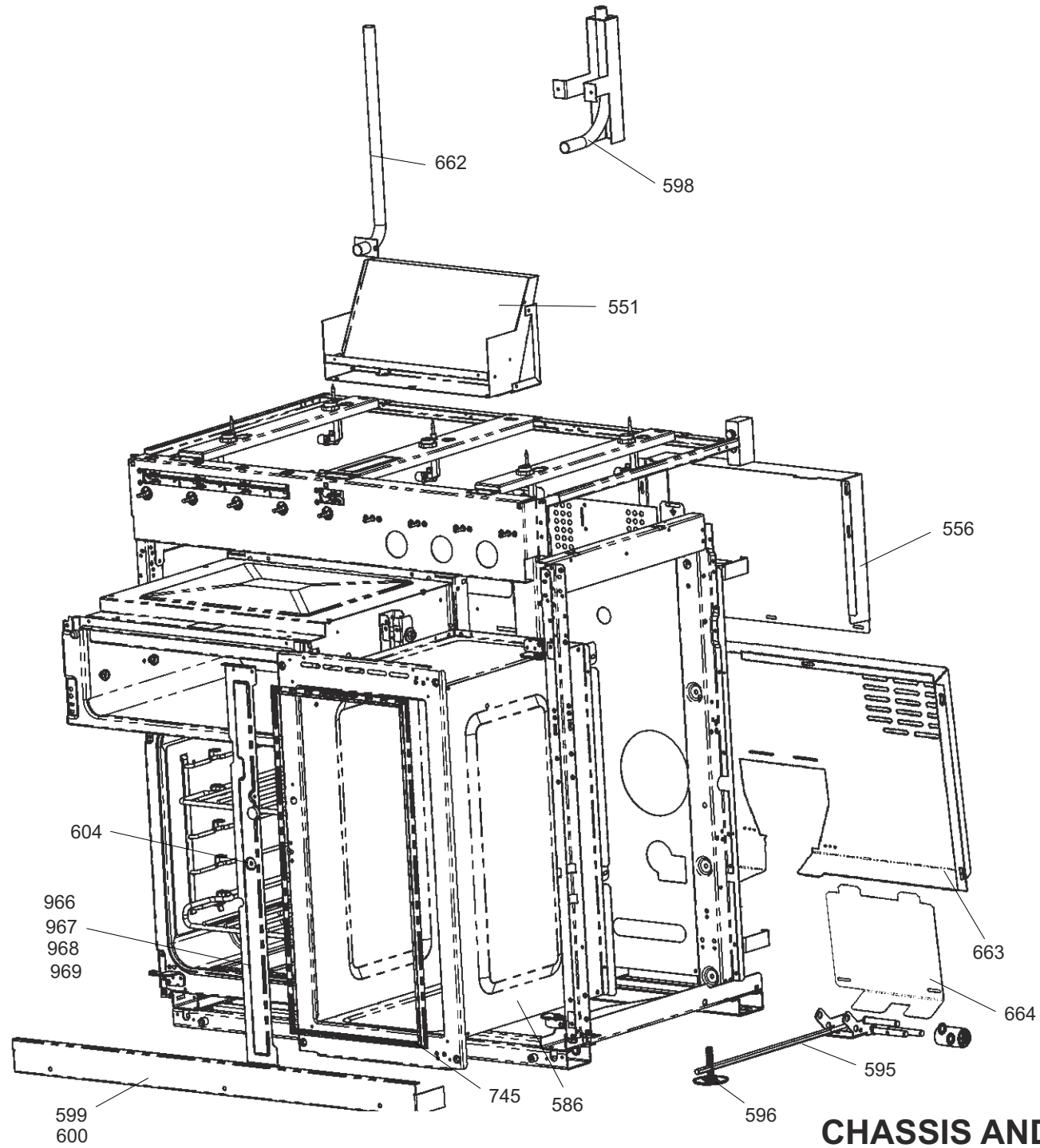
DATE 28.04.08  
ISSUE STATUS 03

DSL322 P03B



**GRILL PAN**



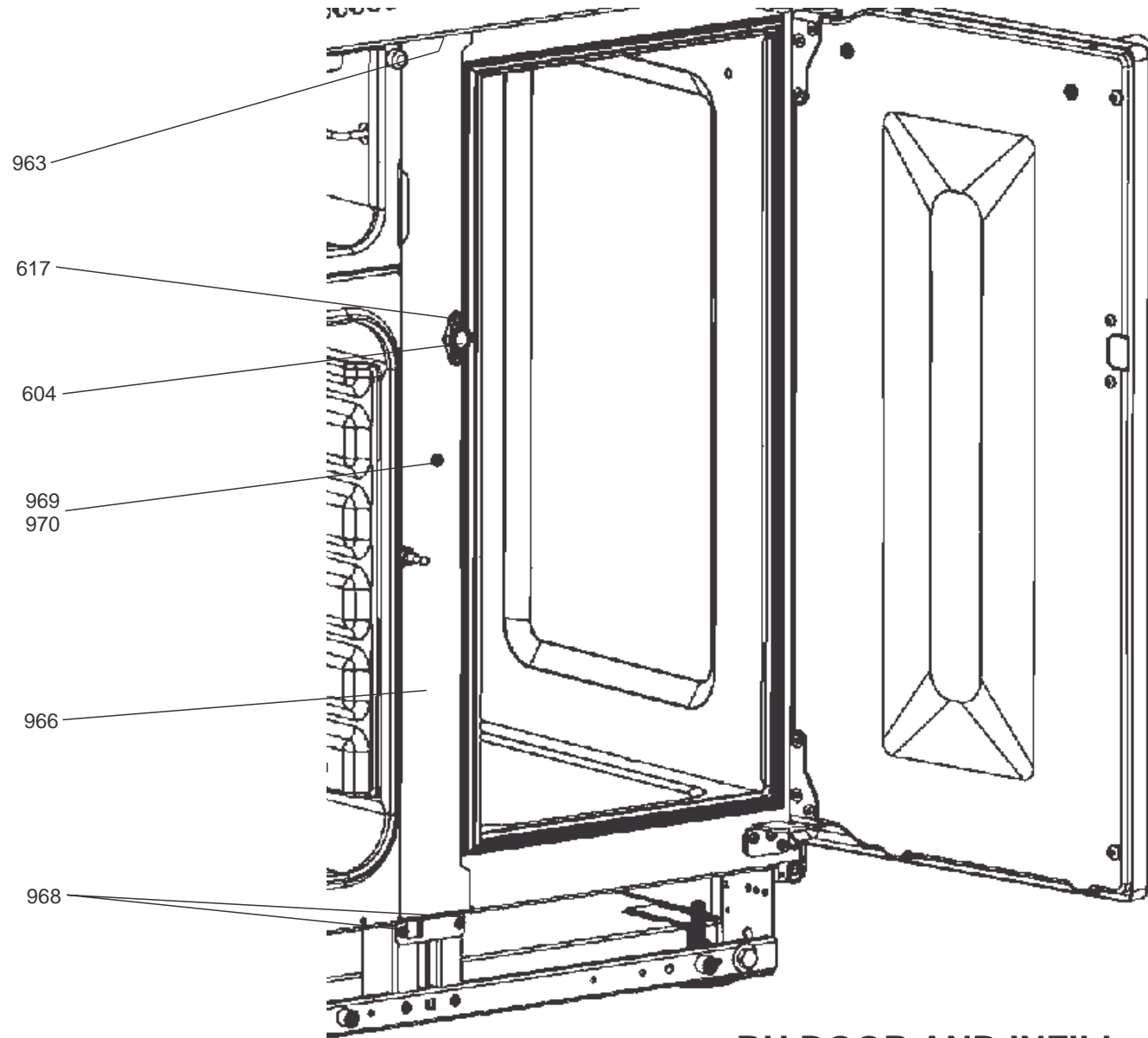


**CHASSIS AND FRAME ASSEMBLY**

**FALCON 90 DELUXE DF**  
FROM SERIAL NUMBER 168000

DATE 03.06.13

**DSL0322 P04A**  
ISSUE STATUS 01

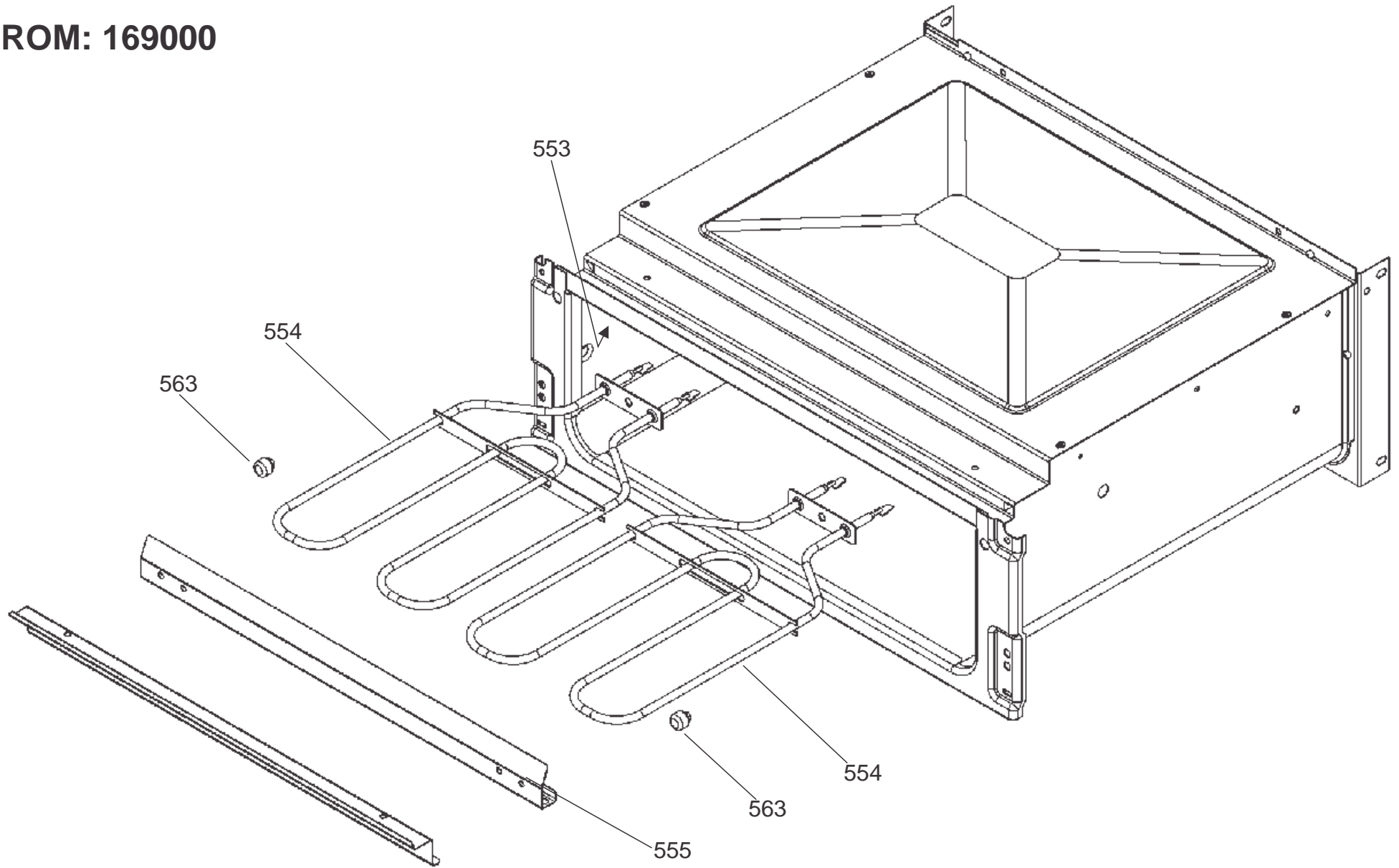


**RH DOOR AND INFILL**

ALL MODELS

DSL0322 P05

FROM: 169000



GRILL CHAMBER

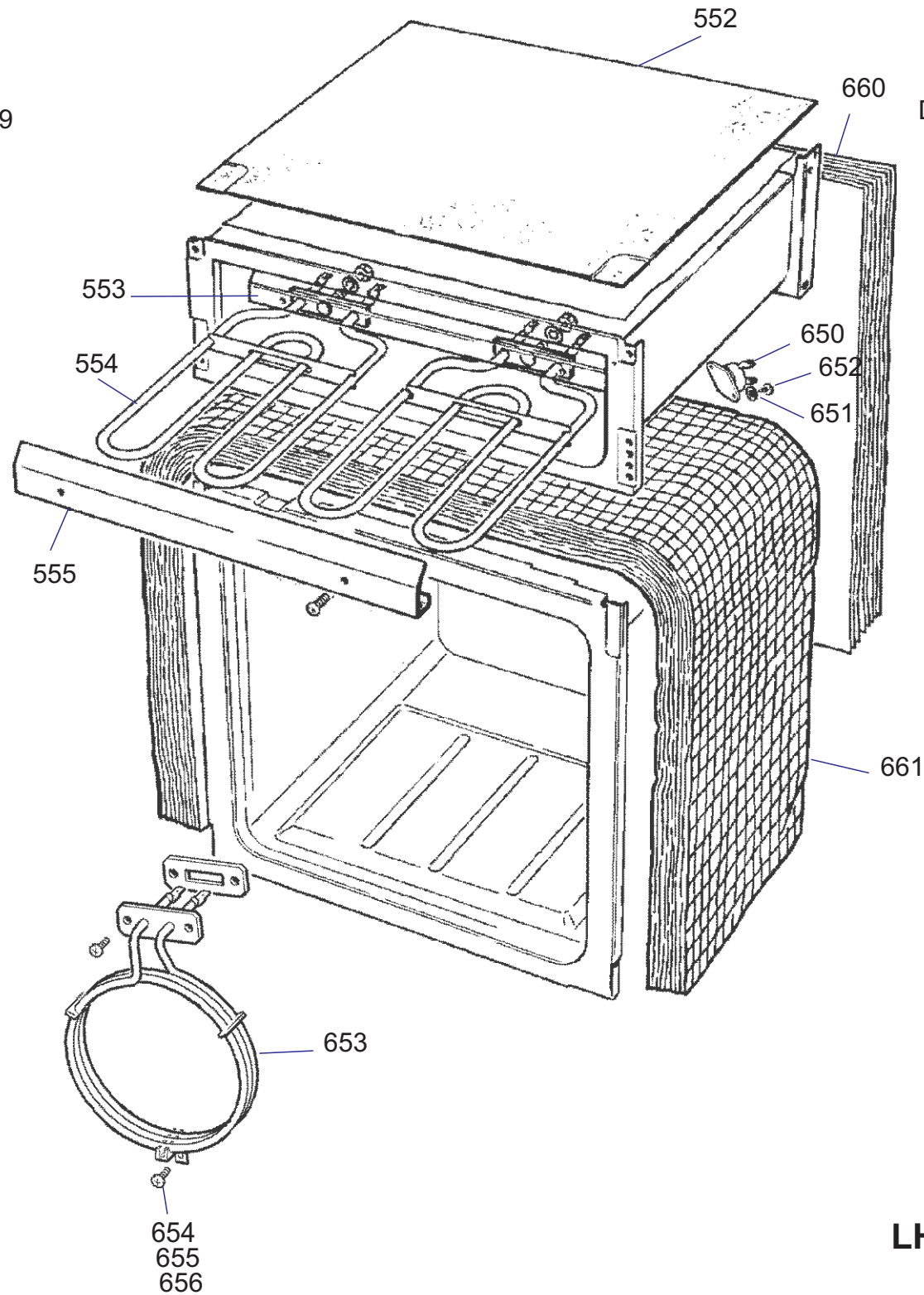
# ALL MODELS

UP TO SERIAL NUMBER 168999

DSL0322 P05

DATE 03.06.13

ISSUE STATUS 02

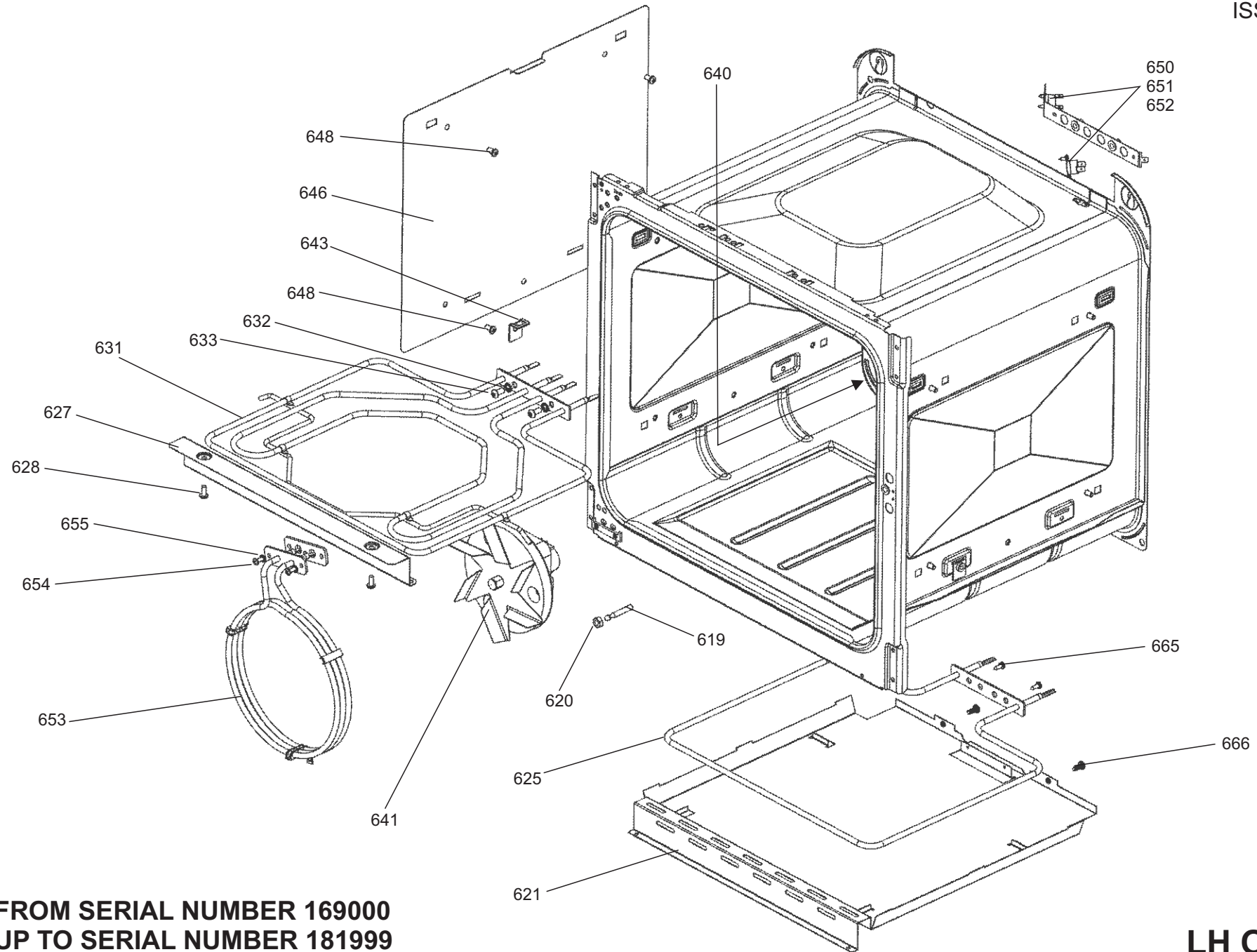


**LH OVEN & GRILL CHAMBER**

# FALCON 900 DELUXE DF

DATE 15.06.16

DSL0322 P05A  
ISSUE STATUS 02



FROM SERIAL NUMBER 169000  
UP TO SERIAL NUMBER 181999

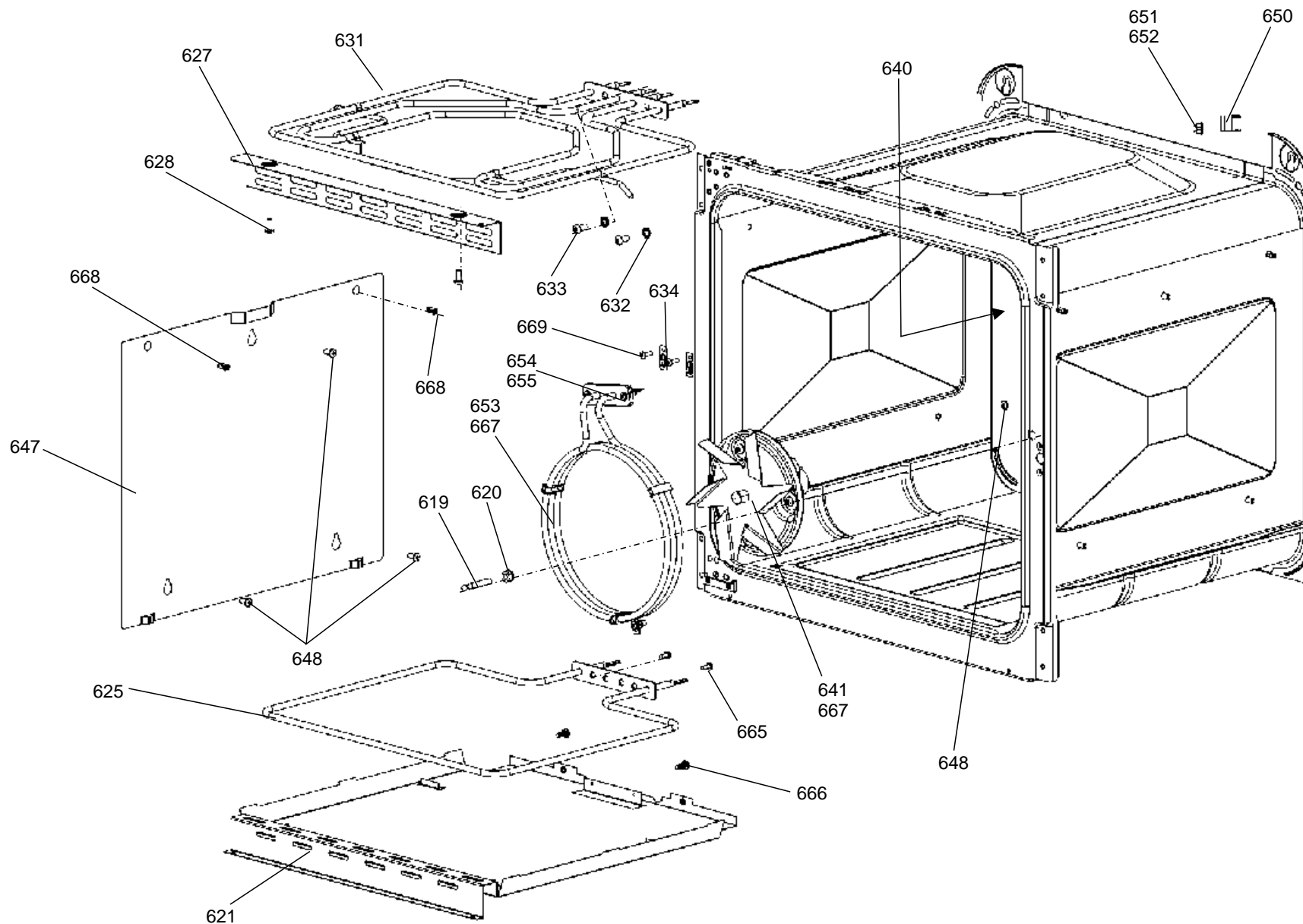
LH OVEN

**FALCON 90 DL DF**  
**FROM SERIAL NO: 182000**  
**UP TO SERIAL NO: 202999**

DATE: 15.11.2018

ISSUE: 02

**DSL0322 P05B**



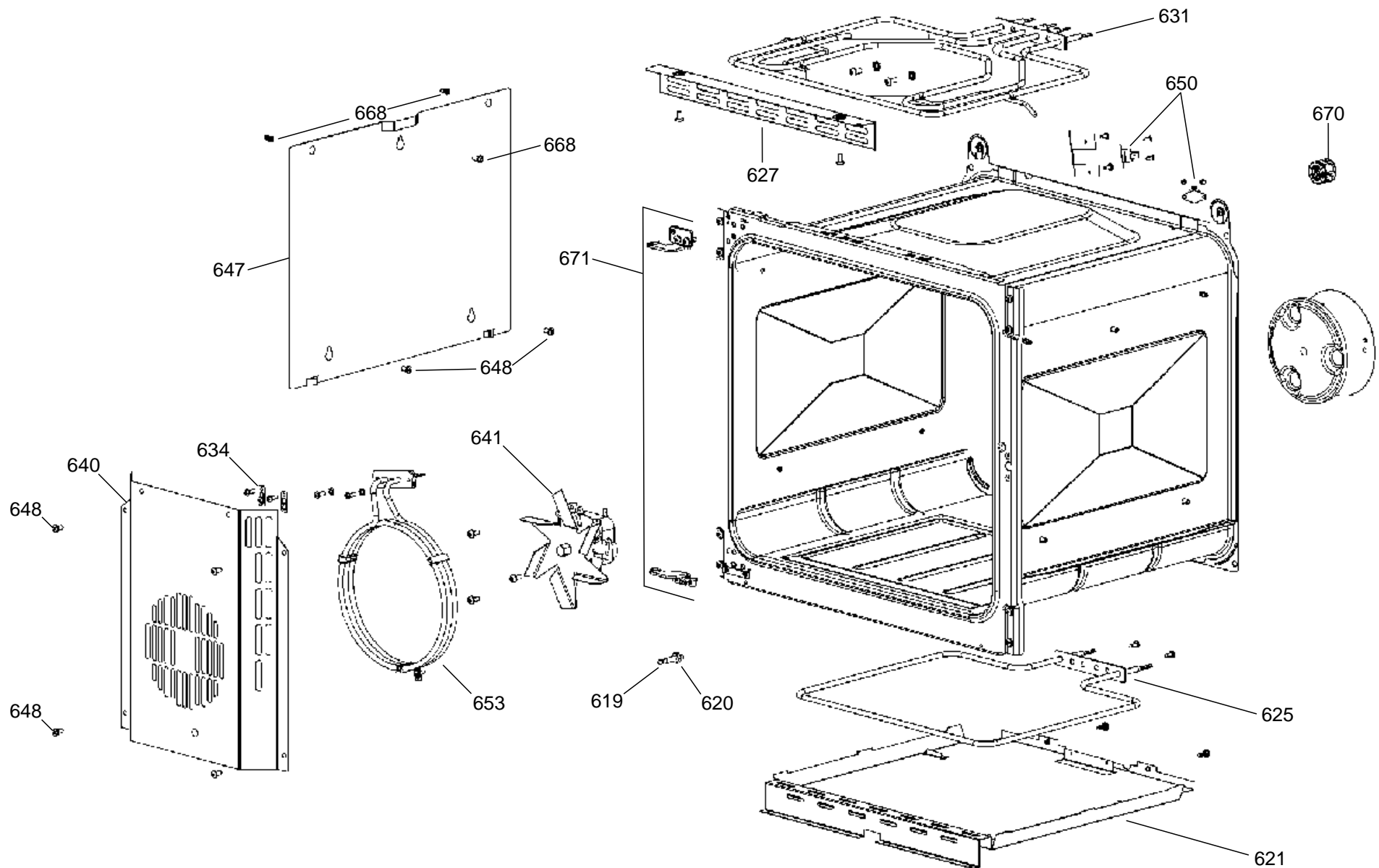
**LH OVEN**

**FALCON 90 DL DF  
FROM SERIAL NO: 203000**

DATE: 15.11.2018

ISSUE: 01

**DSL0322 P05C**



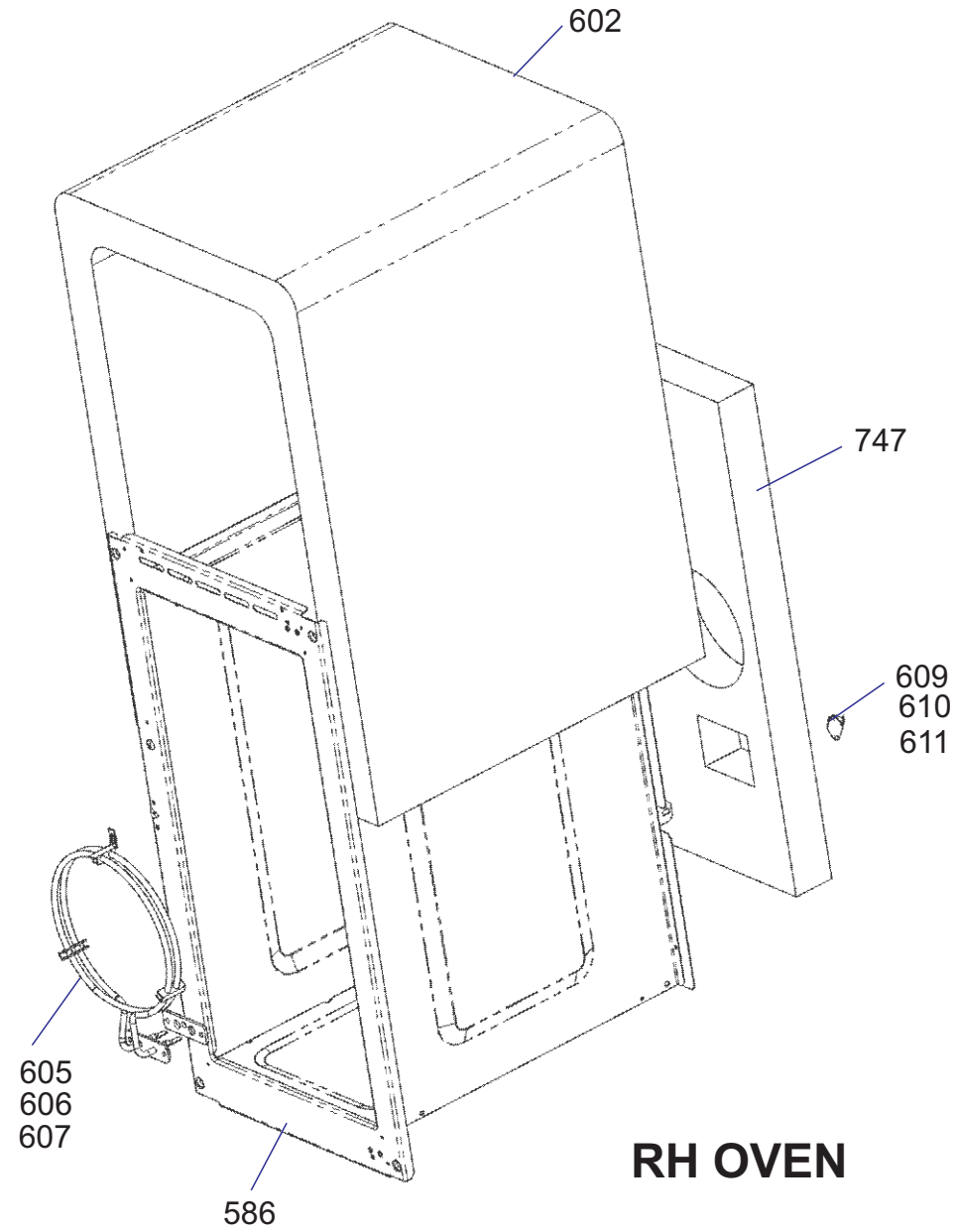
**LH OVEN (MULTI-FUNCTION - NO LIGHT)**

# ALL MODELS

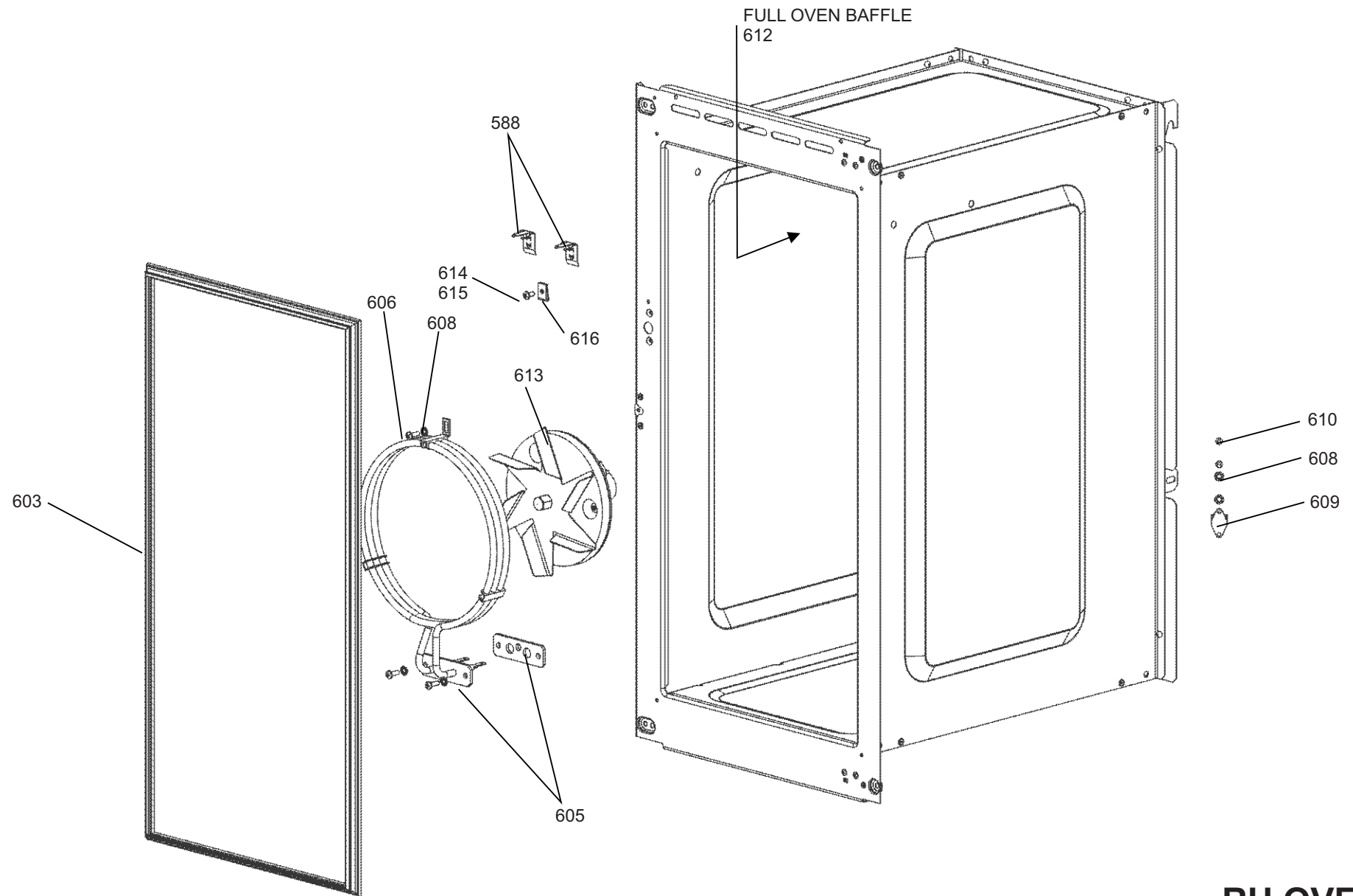
UP TO SERIAL NUMBER 168999

DSL0322 P06

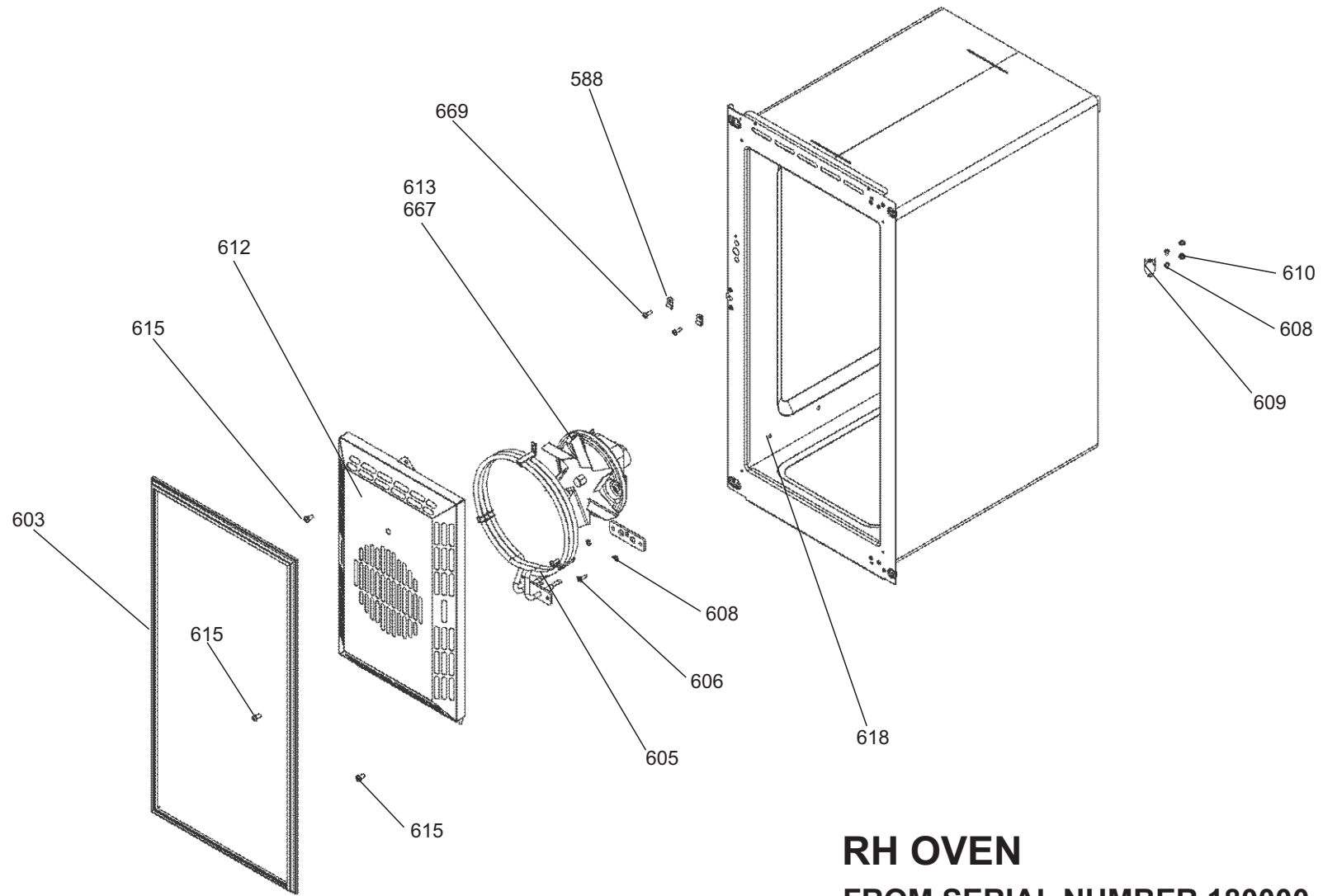
DATE 03.05.13 ISSUE STATUS 02



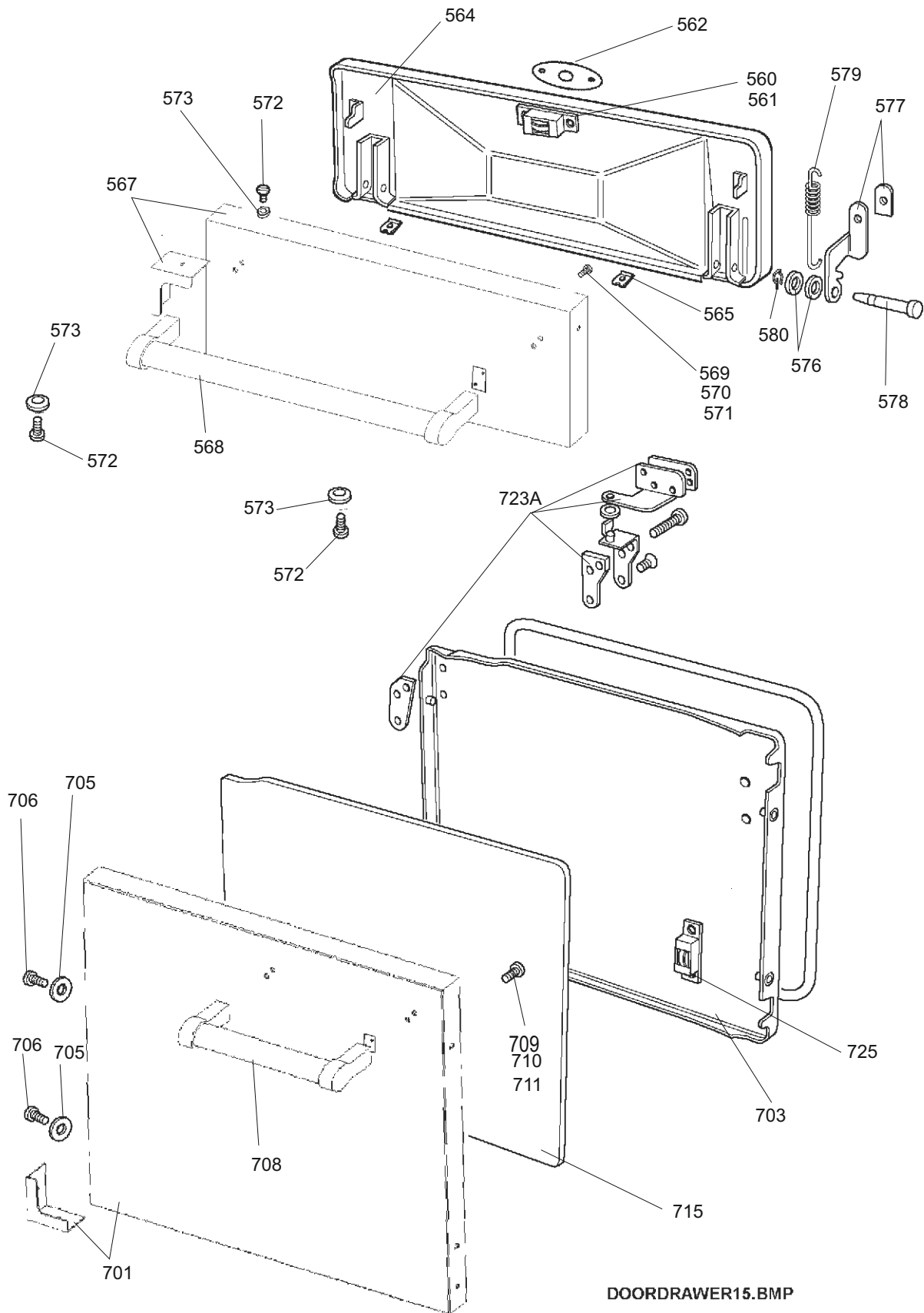




**RH OVEN**  
**FROM SERIAL NUMBER 169000**  
**UP TO SERIAL NUMBER 179999**



**RH OVEN**  
**FROM SERIAL NUMBER 180000**



DOORDRAWER15.BMP

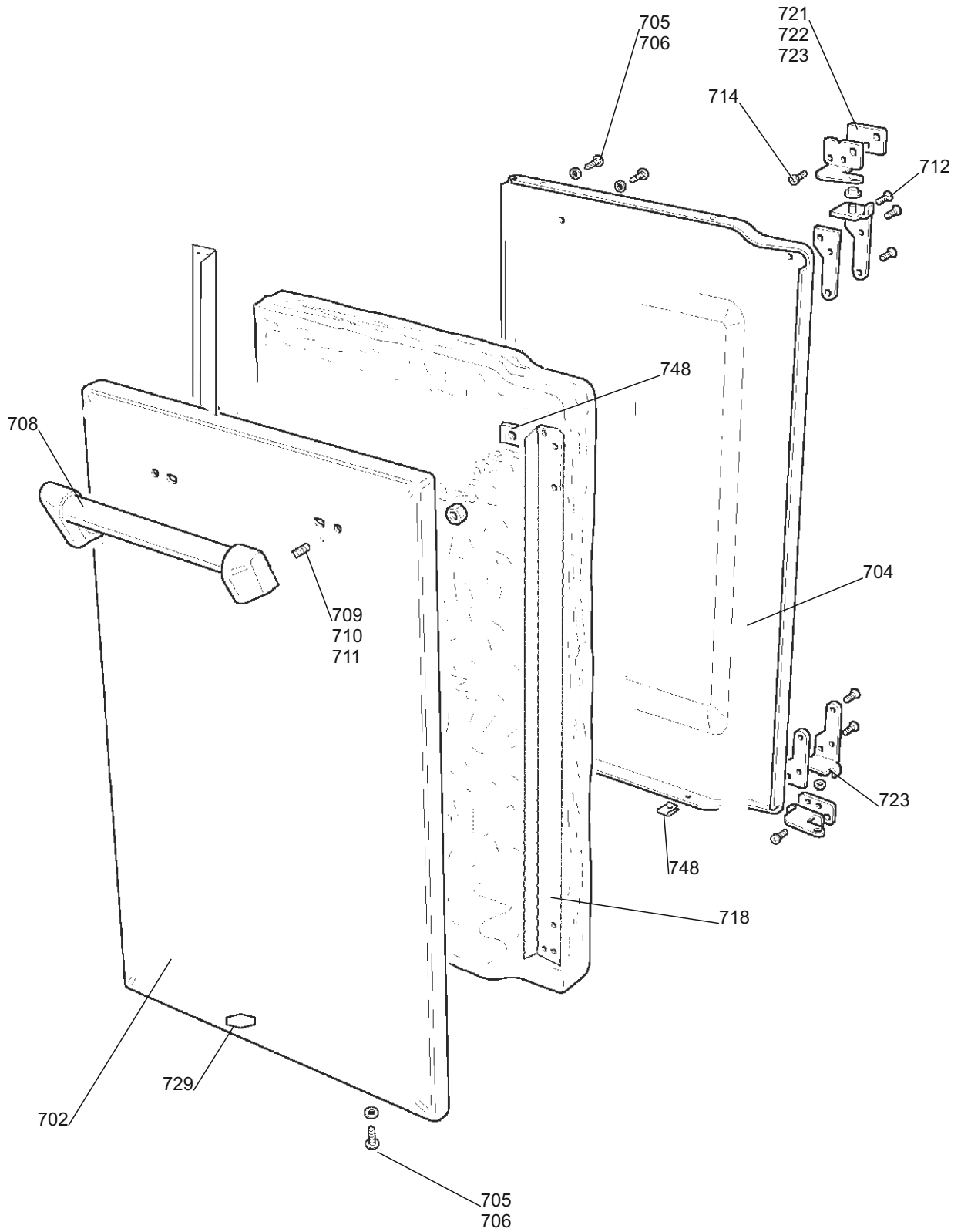
LH OVEN & GRILL DOOR

ALL MODELS

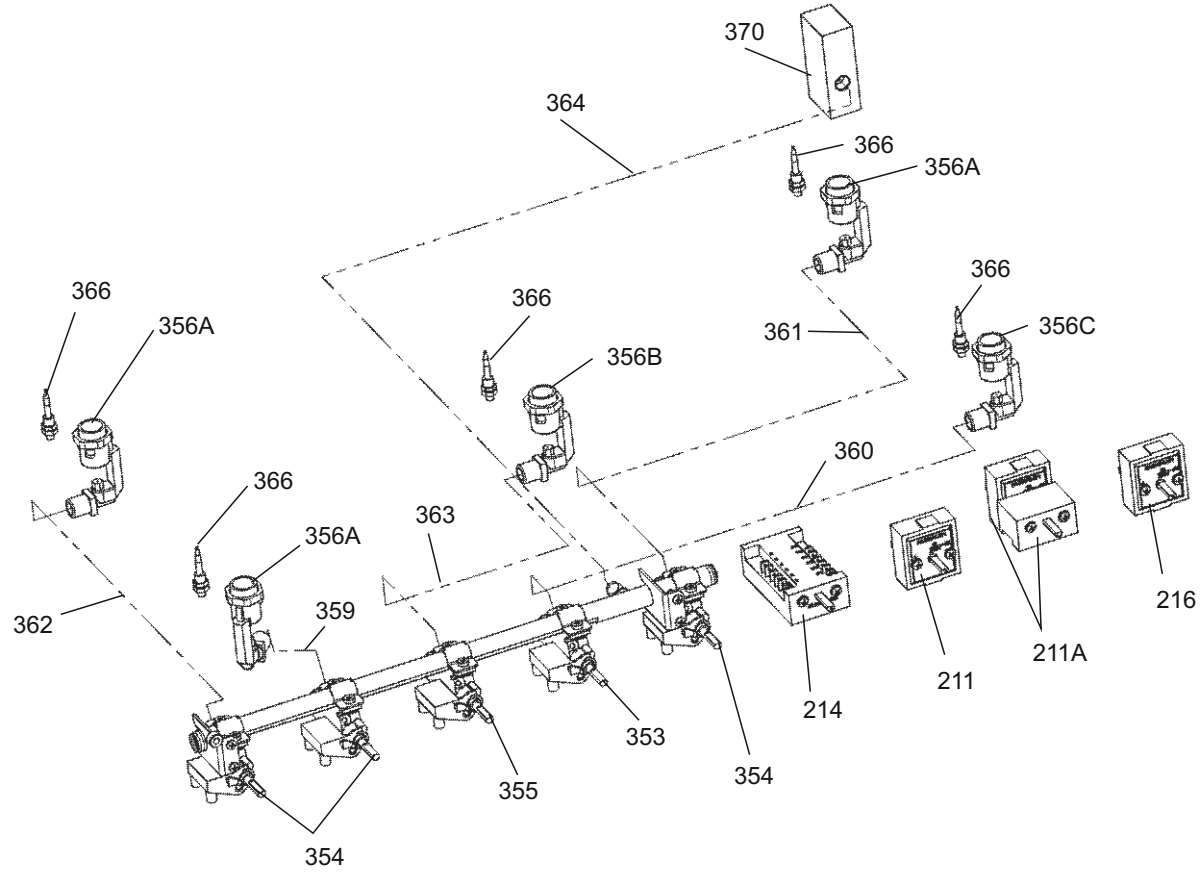
DATE 06.10.06

ISSUE STATUS 01

DSL 322 P08



**RH OVEN DOOR**



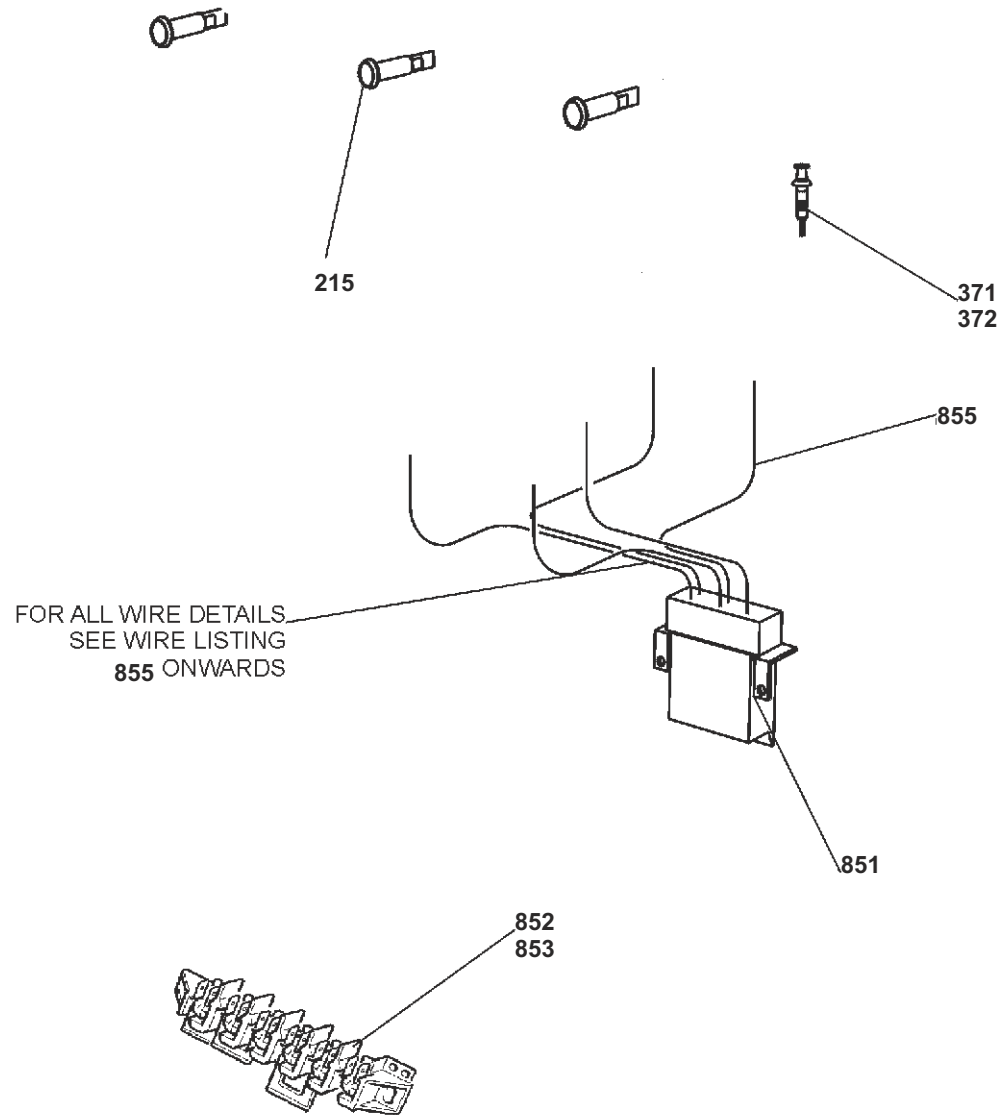
**GAS RAIL - TAPS - INJECTORS AND PIPES**

# FALCON 90 DL DF

UP TO SERIAL No 115999

DSL0322 P10

DATE 12.11.09 ISSUE STATUS 02



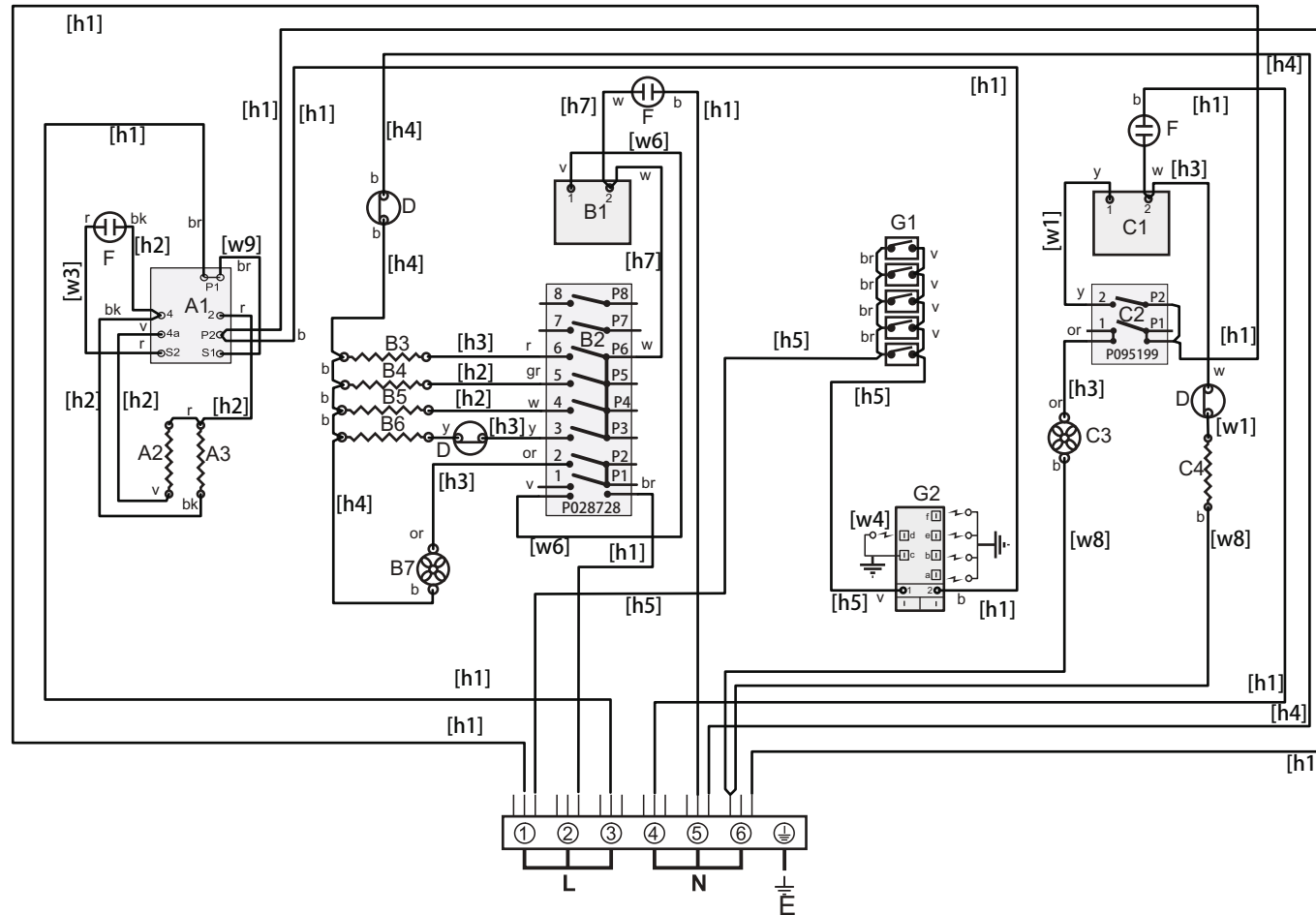
## WIRING DIAGRAM

# FALCON 90 DL DF

FROM SERIAL No 116000

# DSL322 P10A

DATE 12.11.09 ISSUE STATUS 01

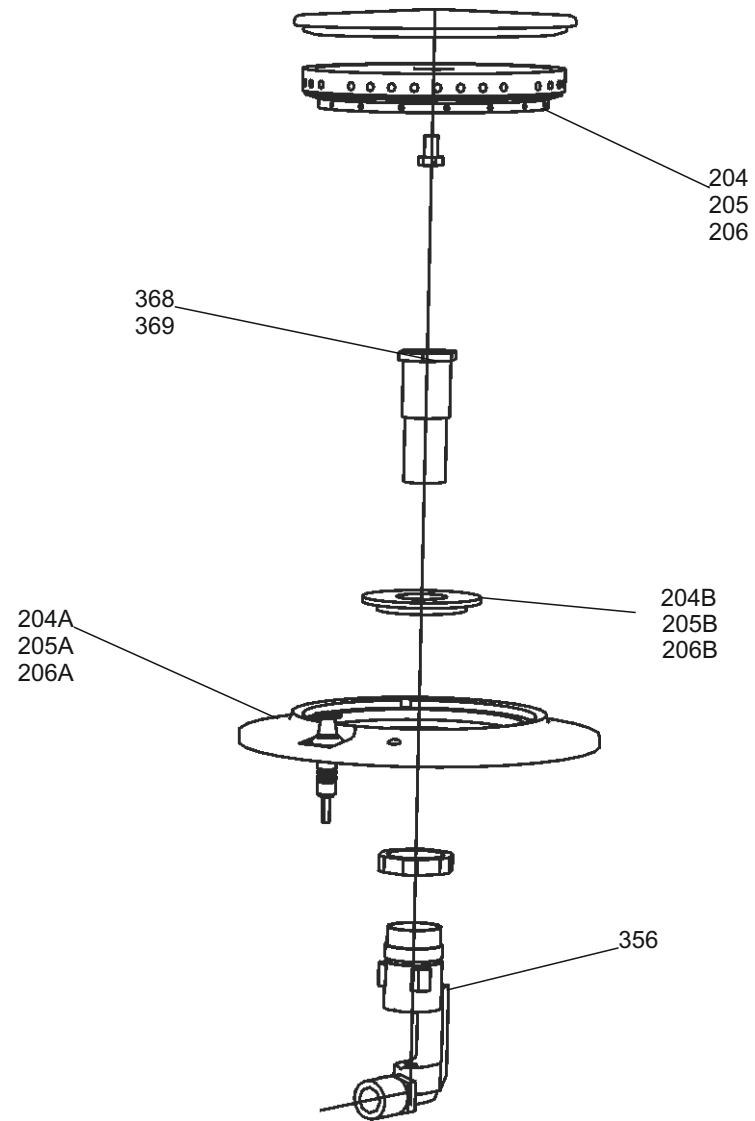


Code	Description
A1	Grill energy regulator
A2	Grill element left hand side
A3	Grill element right hand side
B1	Left hand oven thermostat
B2	Left hand oven switch
B3	Left hand oven base element
B4	Left hand oven top element
B5	Left hand oven browning element
B6	Left hand oven fan element
B7	Left hand oven fan

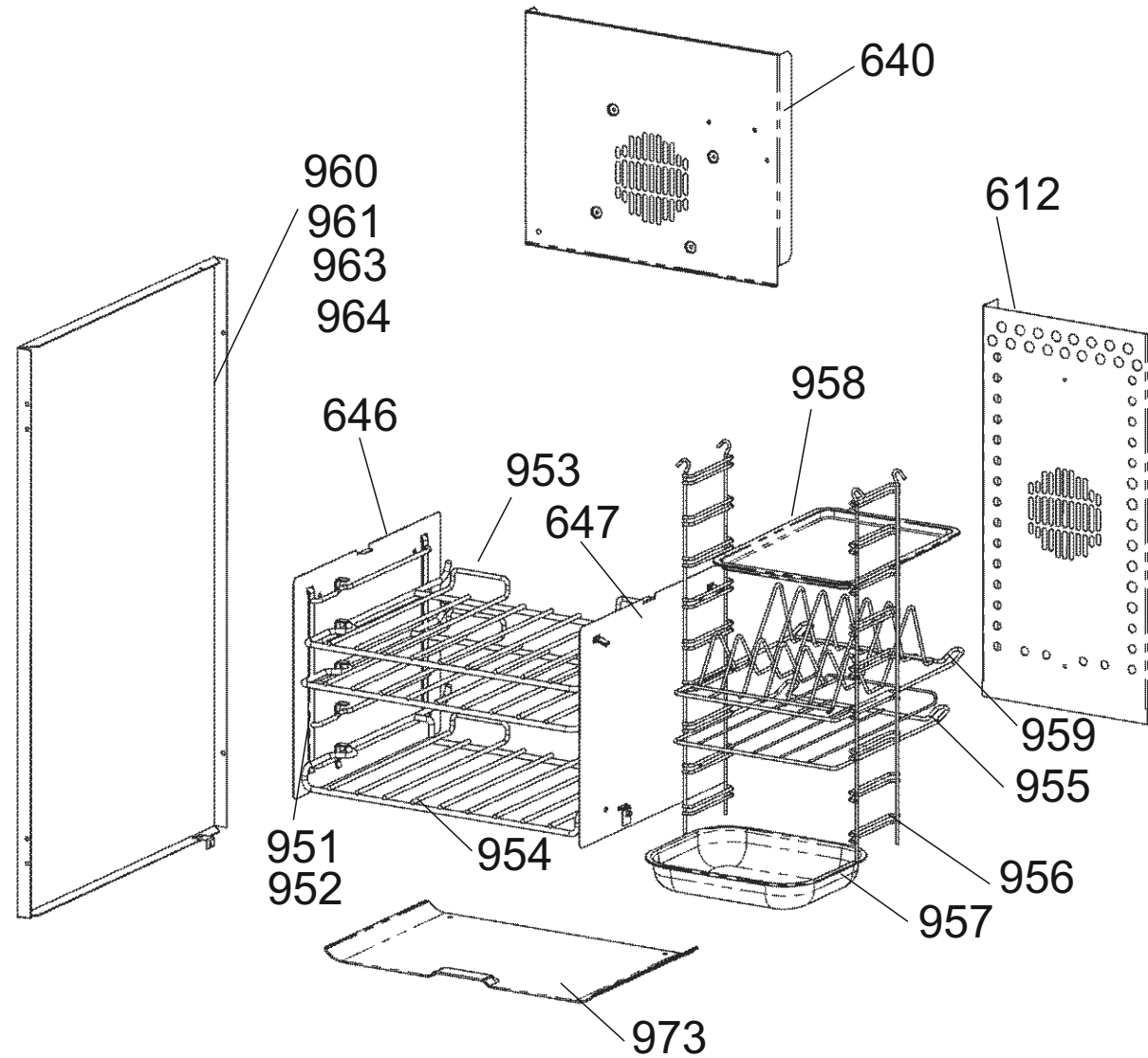
Code	Description
C1	Right hand oven thermostat
C2	Right hand oven switch
C3	Right hand oven element
C4	Right hand oven fan
D	Thermal cutout
F	Neon
G1	Ignition switches
G2	Ignition generator

Code	Colour
b	Blue
br	Brown
bk	Black
or	Orange
r	red
v	violet
w	White
y	yellow
gr	Grey

**WIRING DIAGRAM**







LOCATION	DESCRIPTION	PRODUCT NO	FROM	TO	QTY	ITEM NO
	<b>PAN SUPPORTS/BURNER CAPS</b>					
203	PAN SUPPORT FOOT				4	P029037
	<b>HOTPLATE FACIA PANEL</b>					
210	FIBRE WASHER M5 - FACIA FRONT FIX				3	N003238
210A	SCREW M5x12 PAN HD SLOTTED - FACIA FRONT FIX				3	N003491
212	SCREW M4 x 6 NIBBED BRIGHT ZINC				8	N003542
219	NUT M4 HEXAGON - FIX HEATSHIELD				6	N003019
220	SHAKEPROOF WASHER M4 INT - FIX HEATSHIELD				6	N003039
221	SCREW M4 x 12 PAN HD SLOTTED BRASS	7913			6	N003500
221A	SCREW M4 x 12 PAN HD SLOTTED NICKEL CHROME				6	N003264
	<b>GAS RAIL/TAPS/INJECTORS/BURNERS &amp; PIPES</b>					
351	GAS RAIL FABRICATION - LH				1	P033793
352	SCREW M5 x 8 POZI CH HD MACHINE				10	N003486
357	INJECTOR NG - No95 - 1.7KW				1	P029274
357	INJECTOR NG - No120 - 3KW				3	P029275
357	INJECTOR NG - No165 - 5KW				1	P029276
357	INJECTOR LP - No85 - 3KW				3	P029280
357	INJECTOR LP - No107 - 5KW				1	P036902
357	INJECTOR LP - No63 - 1.7KW				1	P029281
358	INLET BLOCK ASSEMBLY				1	P040547
367	LOCKNUT				10	P075977
	<b>GRILL CHAMBER ASSEMBLY</b>					
563	GRILL DOOR BUMP STOP				2	P080296
566	GRILL DOOR LAGGING				1	P029099
575	SCREW No6 x 10 PHP S'TAP AB				2	N001634
	<b>COOKER CHASSIS RH</b>					
587	SCREW M5 x 12 CHP TAPTITE				4	N003311
589	TAB CONNECTOR. UTILUX H25810				2	P054455
590	SCREW M5 x 10 PHP				2	N003064
591	SHAKEPROOF WASHER M5 INT				4	N003040
592	NUT M5 SQUARE PRESSED				2	N003058
593	HANGING SCREW KIT			168999	1	A096878
594	SCREW No6 x 1/2' PHP S'T AB				4	N001431
597	CAPTIVE NUT FOR No6 TAPPING SCREW				3	P078247
601	LOKUT NUT (ITW 212-180402-14CE)				3	P080277
	<b>COOKER CHASSIS LH</b>					
622	SCREW M5 x 8 PHP NIBBED TAPTITE				2	N003127
623	SCREW No8 x 1/2' PHP S'TAP AB				2	N001780
624	SHAKEPROOF WASHER M5 INT				2	N003040
626	SHAKEPROOF WASHER M4 INT				2	N003039
629	SCREW M5 x 12 PHP TAPTITE				2	N003253
630	SHAKEPROOF WASHER M5 INT				2	N003040
635	SCREW No6 x 10 PHP S'T AB				2	N001634
636	WASHER M4				7	N003265
637	NUT M4 HEX				3	N003269
638	SCREW M4 x 12 PHP				2	N003264
639	No8 CAPTIVE NUT SNU 0536				4	N000935
642	WASHER M4				3	N003265
644	NUT M4 HEX				3	N003269
645	SCREW M5 x 12 TAPTITE				2	N003253
649	SHAKEPROOF WASHER M6 INT				2	N003041
657	SCREW No8 x 13 PHP S'TAP AB				4	N003266
658	SHAKEPROOF WASHER M5 INT				4	N003040
659	SCREW M5 x 10 PHP				4	N003064
	<b>OVEN DOOR</b>					
707	HEAT SINK PANEL	7915			1	Q029235
707	HEAT SINK PANEL	7924			1	Q029235
707	HEAT SINK PANEL	7919			1	Q029235
707	HEAT SINK PANEL	7926			1	Q029235
713	SCREW No8 x 19 CHP S'TAP AB				2	N001779
726	SCREW CUP OD11.8 x ID5.5 x 2 HIGH				2	N003464
727	SCREW M4 x 6 PHP TAPTITE				2	N003343
728	HANDIRACK BRACKETS - SET OF 2 - LH				1	A090833
732	STRETCH SEAL (CLOSED) - LH				1	P098715
746	OVEN INSULATION WRAP				1	P094335
	<b>GENERATOR/WIRING</b>					
854	TERMINAL BLOCK INSULATION			115999	1	P025656
856	WIRING ASSY - GRILL EARTH			115999	2	P055374
857	WIRE ASSY - MULTIFUNCTION OVEN UPPER EARTH			115999	1	P094943
858	WIRE ASSY			115999	2	P094948
859	WIRE ASSY - GRILL NEON FEED			115999	1	P094951
860	WIRE ASSY - LOWER ELEMENT EARTH			115999	2	A027672
861	WIRE ASSY - GENERATOR EARTH			115999	1	A097411
862	WIRE ASSY - THERMOSTAT LINK			115999	1	P033086
863	WIRE HARNESS - LIVE & NEUTRAL TO CONTROL			115999	1	P033873
864	WIRE HARNESS - GRILL & TOP OVEN ELEMENT			115999	1	P033874
865	WIRE HARNESS - LOWER ELEMENTS			115999	1	P033875
866	WIRE HARNESS - MULTIFUNCTION OVEN NEUTRALS			115999	1	P033876
867	WIRE HARNESS - FAN OVEN NEUTRALS			115999	1	P033877
868	WIRE ASSY - IGNITION NEUTRALS			115999	1	P033878
869	WIRE HARNESS - IGNITION			115999	1	P040207
870	CABLE CLAMP ITW 217-E1830-00			115999	1	P585705
871	SCREW 4.0 DIA x 25 PHP S'TAP PT			115999	2	N003353
	<b>GENERATOR/WIRING</b>					
854	TERMINAL BLOCK INSULATION		116000		1	P025656
870	CABLE CLAMP ITW 217-E1830-00		116000		1	P585705
871	SCREW 4.0 DIA x 25 PHP S'TAP PT		116000		2	N003353
	<b>MISCELLANEOUS</b>					
962	WOK RING SEMI GLOSS				1	P050553
962A	WOK RING GLOSS				1	P057346
971	SCREW M3 x 16 FHP S'T AB BLACK				1	N003287
972	WRENCH				1	P096976
974	CONVERSION KIT - LPG TO NG				1	A045822
974	CONVERSION KIT - NG TO LPG			173999	1	A049349
974	CONVERSION KIT - NG TO LPG		174000		1	A061899
999	SPARES FASTENER KIT				1	A066995
	<b>LITERATURE</b>					
975	INSTRUCTION PACK				1	A034157