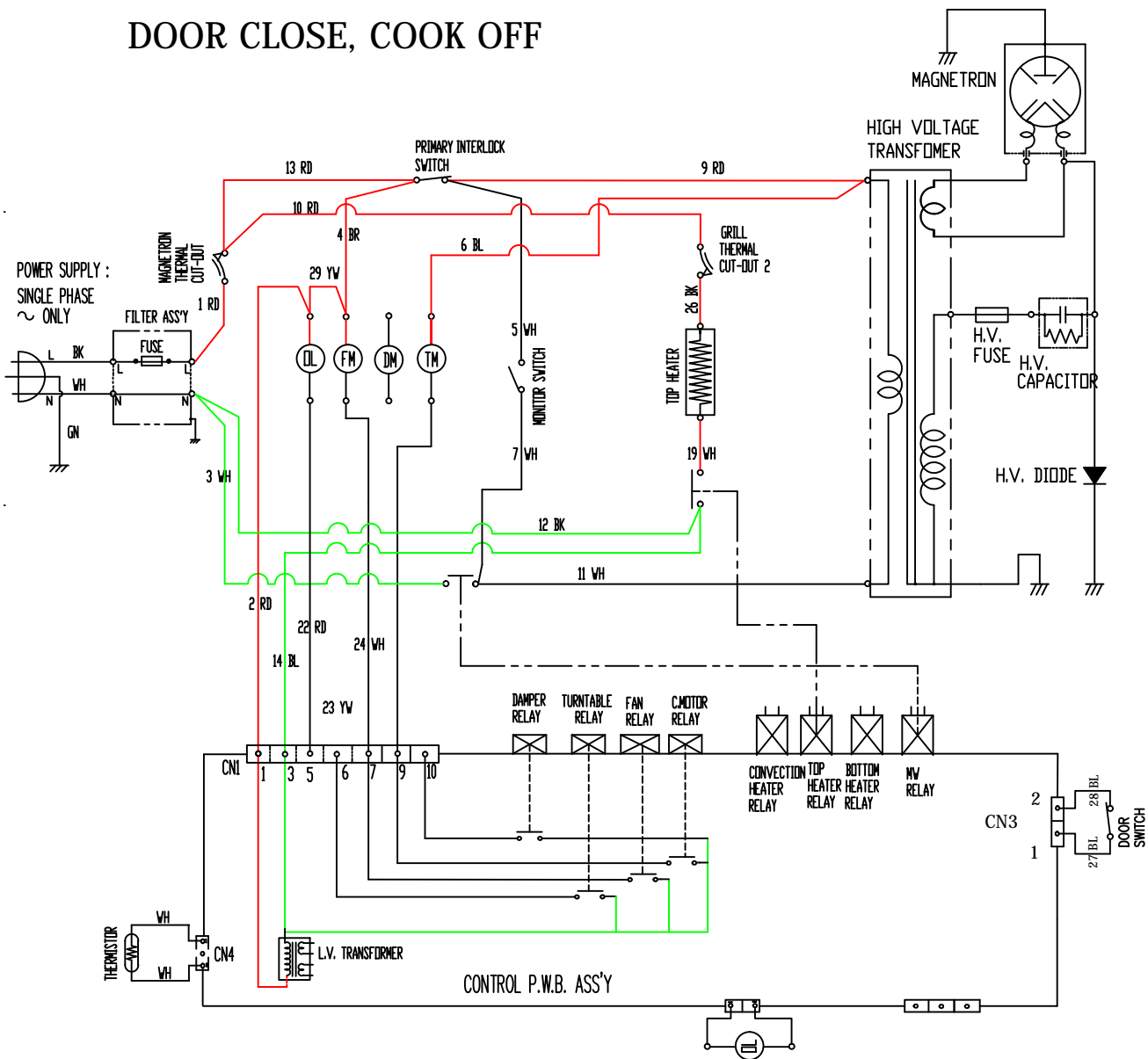


DOOR CLOSE, COOK OFF



BR-BROWN	BL-BLUE
RD-READ	YW-YELLOW
BK-BLACK	GN-GREEN
WH-WHITE	

NOTE :

- ⊙ : OVEN LAMP
- ⊙ : FAN MOTOR
- ⊙ : CONVECTION FAN MOTOR
- ⊙ : TRAY MOTOR
- ⊙ : DAMPER MOTOR