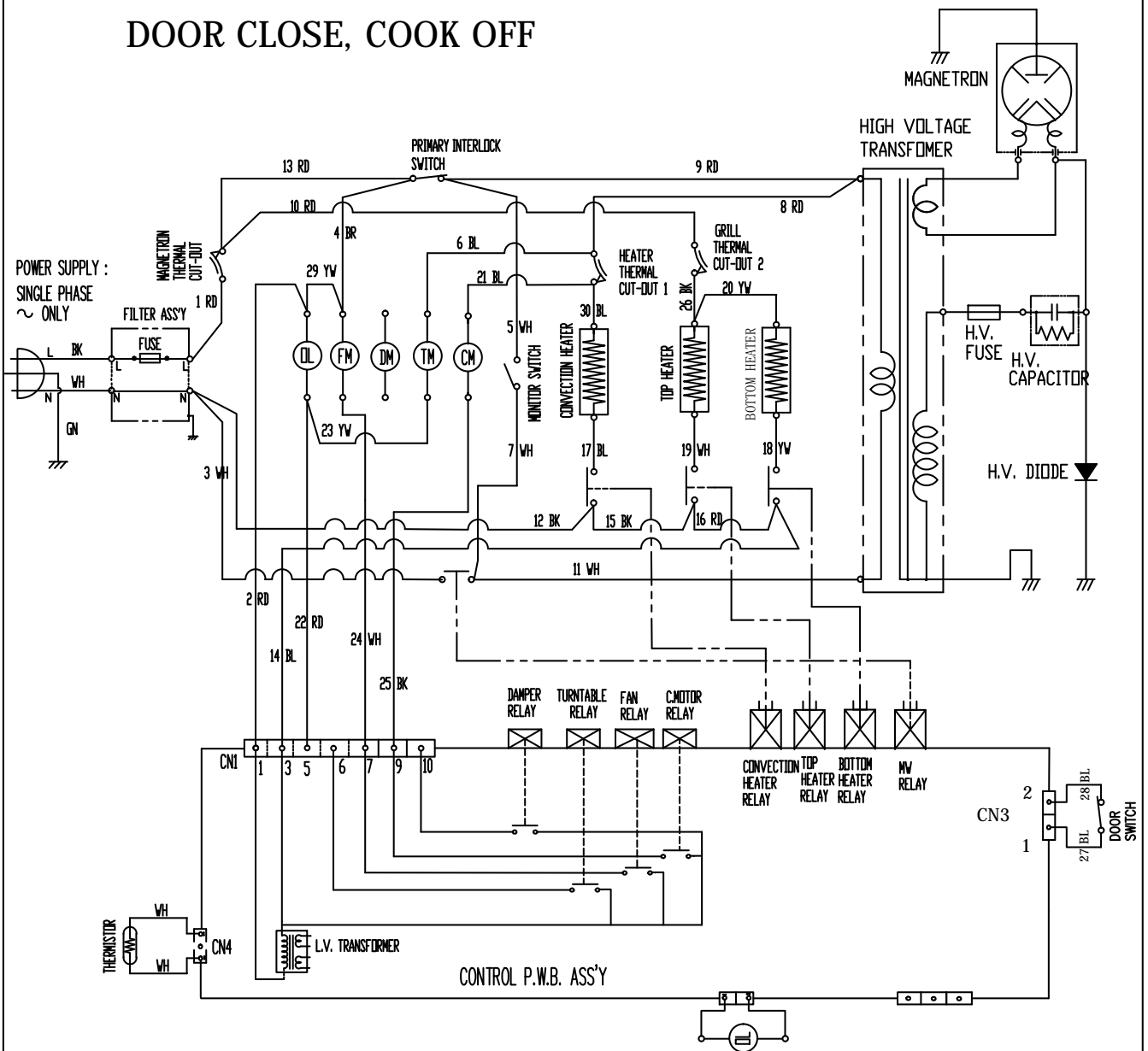


# DOOR CLOSE, COOK OFF



NOTE :

- ⊙ : OVEN LAMP
- ⊙ : FAN MOTOR
- ⊙ : CONVECTION FAN MOTOR
- ⊙ : TRAY MOTOR
- ⊙ : DAMPER MOTOR

BR: BROWN	BL: BLUE
RD: RED	YW: YELLOW
BK: BLACK	GN: GREEN
WH: WHITE	