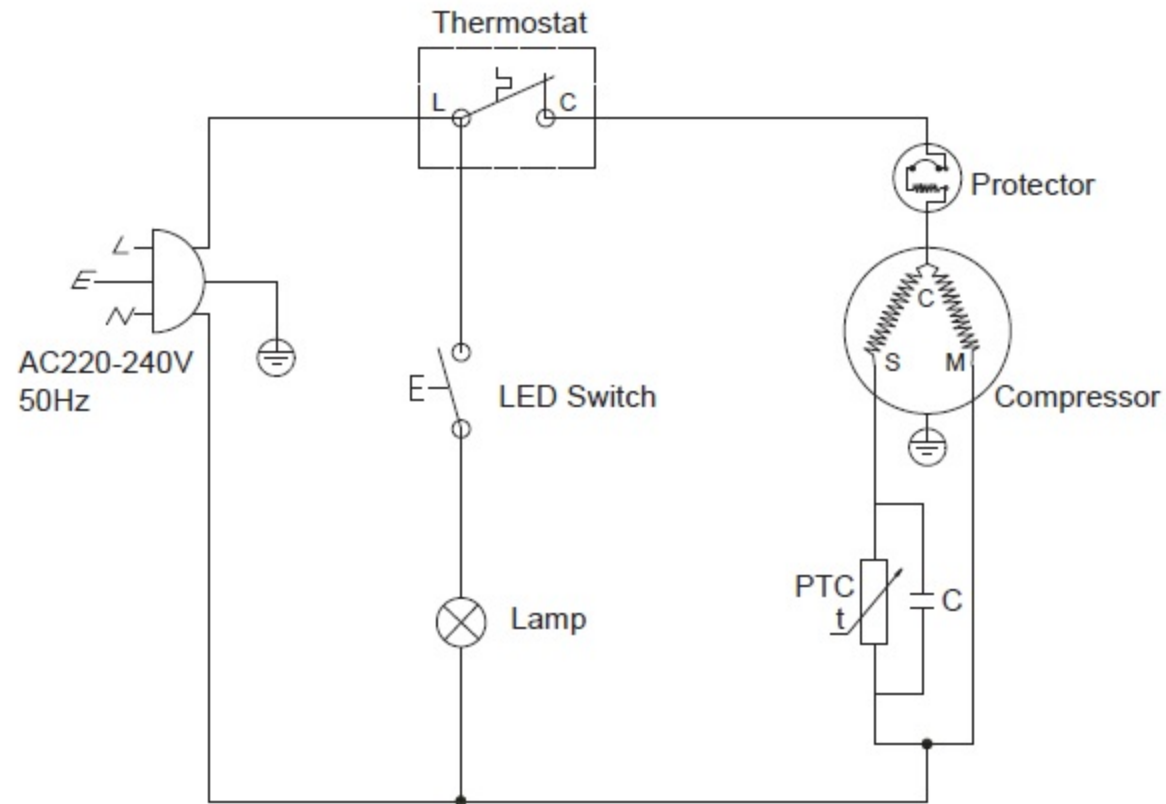


Refrigerator-freezer



ELECTRO DEPOT
1, route de Vendeville
59155 FACHES THUMESNIL
FRANCE
Made in P.R.C

S/N: YY-WW-977395-XXXX

VALBERG

977395 - CS 262 E W625C (V1)

Lamp power	2W
Climate class	N,ST
Protection against electric shock class	I
Voltage	AC220-240V
Frequency	50Hz
Current	1A
Total volume	262L
Fresh food compartment storage volume	197.0L
Four star compartment storage volume	* ** *
Energy class	E
Annual energy consumption	204 kWh/a
Freezing capacity	3kg/24h
Temperature rise time	10h
Refrigerant/ Amount	R600a(81g)
Foaming agent	CYCLOPENTANE
Noise	39dB(A)