

EN	WARRANTY CONDITION This product has a 2-year warranty as of the date of purchase*, covering any fault resulting from a manufacturing or material defect. This warranty does not cover defects or damage resulting from incorrect installation, improper use or abnormal wear of the appliance. *upon presentation of the sales receipt.
FR	CONDITION DE GARANTIE Ce produit est garanti pour une période de 2 ans à partir de la date d'achat*, contre toute défaillance résultant d'un vice de fabrication ou de matériau. Cette garantie ne couvre pas les vices ou les dommages résultant d'une mauvaise installation, d'une utilisation incorrecte ou de l'usure anormale du produit. *sur présentation du ticket de caisse.
NL	GARANTIEVOORWAARDEN Dit product wordt gegarandeerd voor een periode van 2 jaar vanaf de aankoopdatum*, voor elke storing die het gevolg is van een fabricagefout of het materiaal. Gebreken of schade door slechte installatie, onjuist gebruik of abnormale slijtage van het product worden niet gedekt door deze garantie. *op vertoon van kassabon.
ES	CONDICIONES DE GARANTÍA El certificado de garantía de este producto tiene una duración de 2 años a partir de la fecha de compra* que se limita a los defectos de fabricación y averías del material. Se excluyen de la garantía deficiencias o daños originados por una mala instalación, errores en la manipulación o por un uso inadecuado. *previa presentación del comprobante de compra.

Fridge - freezer
Réfrigérateur-congélateur
Koelkast - diepvriezer
Frigorífico - congelador

977395 - CS 262 E W625C

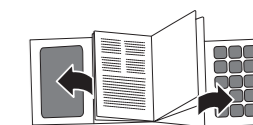
INSTRUCTIONS FOR USE02
CONSIGNES D'UTILISATION20
GEBRUIKSAANWIJZINGEN38
INSTRUCCIONES DE USO56

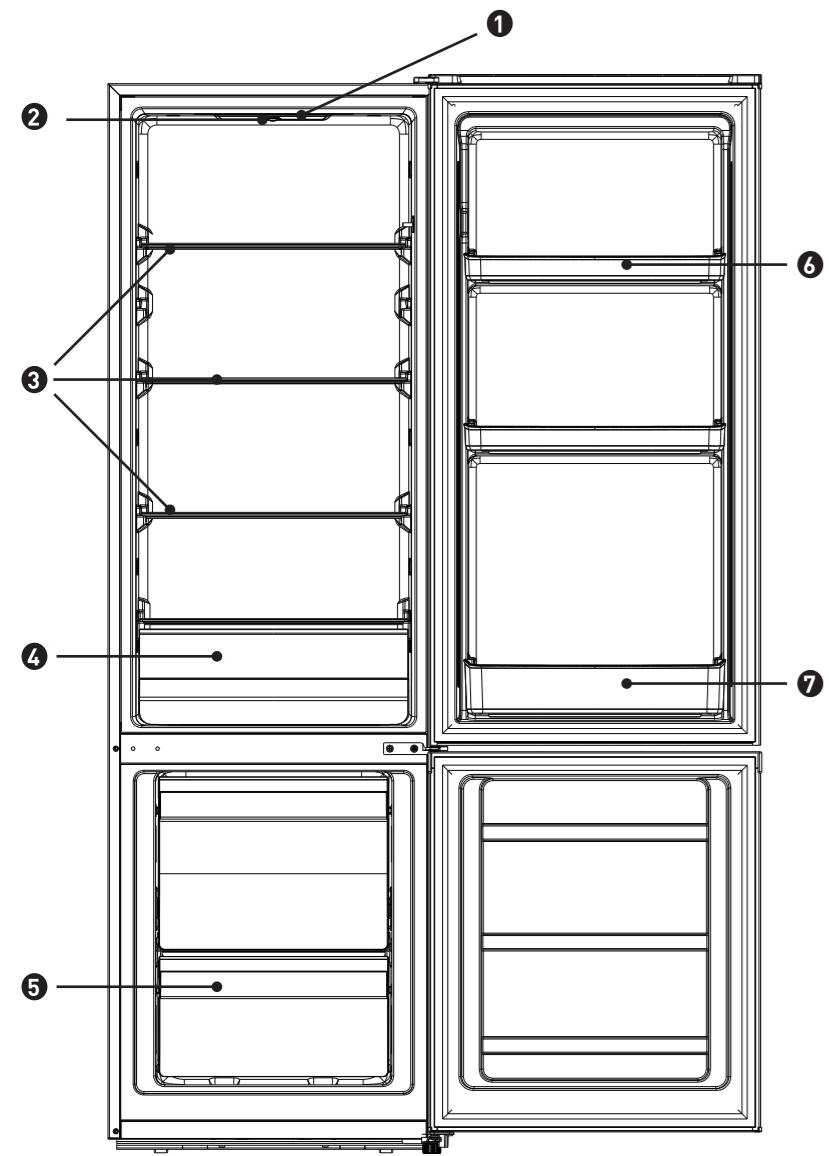
MADE IN PRC

ELECTRO DEPOT
1 route de Vendeville
59155 FACHES-THUMESNIL
FRANCE



VALBERG





Thanks!

Thank you for choosing this VALBERG product. Chosen, tested and recommended by ELECTRO DEPOT, the products of the VALBERG brand are easy to use, reliable and of an impeccable standard. Thanks to this appliance, you can be sure that each use will bring you satisfaction.

Welcome to ELECTRO DEPOT.

Visit our website: www.electrodepot.fr



A

**Preview of the
appliance**

Description of the appliance

B

Using the appliance

Proper use of refrigerators
Structure and functions

C

Useful information

Cleaning and maintenance
Troubleshooting

Description of the appliance

- ① LED light
- ② Temperature control
- ③ Shelf
- ④ Vegetable crisper
- ⑤ Drawer
- ⑥ Door tray
- ⑦ Door tray

The picture is only for reference. The actual configuration will depend on the physical product or statement by the distributor.

Refrigerating chamber

- The Refrigerating Chamber is suitable for storage of a variety of fruits, vegetables, beverages and other food consumed in the short term, suggested storage time 3 days to 5 days.
- Cooking foods shall not be put in the refrigerating chamber until cooled to room temperature.
- Foods are recommended to be sealed up before putting into the refrigerator.
- The glass shelves can be adjusted up or down for a reasonable amount of storage space and easy use.

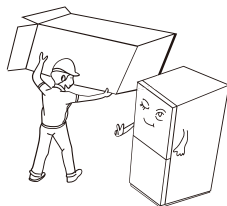
Freezing chamber

- The low temperature freezing chamber may keep food fresh for a long time and it is mainly used to store frozen foods and making ice.
- The freezing chamber is suitable for storage of meat, fish, rice balls and other foods not to be consumed in short term.
- Chunks of meat are preferably to be divided into small pieces for quick freezing and easy access.
- Please be noted food shall be consumed within the shelf time.

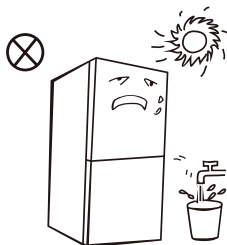
- The maximum amount of food that can be frozen in 24 hours is specified on the rating plate of the appliance.
- Drawers, food boxes, shelves, etc. placed according to the position in the picture are the most energy efficient.

Proper use of refrigerators

Placement

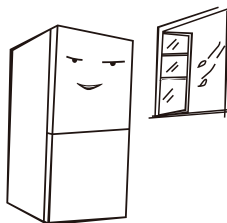


Before use, remove all packing materials, including bottom cushions, foam pads and tapes inside of the refrigerator; tear off the protective film on the doors and the refrigerator body.

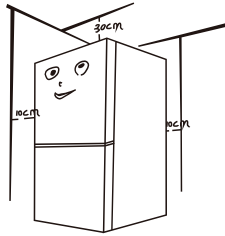


Keep away from heat and avoid direct sunlight. Do not place the freezer in moist or watery places to prevent rust or reduction of insulating effect.

Do not spray or wash the refrigerator; do not put the refrigerator in moist places easy to be splashed with water so as not to affect the electrical insulation properties of the refrigerator.



The refrigerator is placed in a well-ventilated indoor place; the ground shall be flat, and sturdy (rotate left or right to adjust the wheel for levelling if unstable).



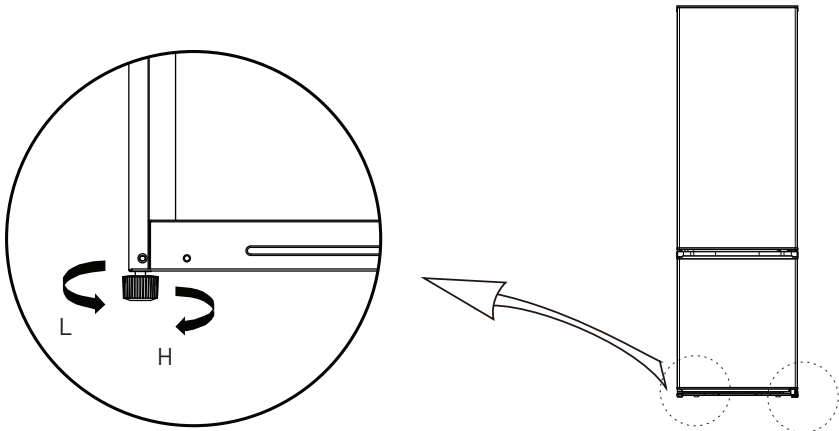
The top space of the refrigerator shall be greater than 30cm, and the refrigerator should be placed against a wall with a free distance more than 10cm to facilitate heat dissipation.

PRECAUTION!

Before installation or adjusting of accessories, it shall be ensured that the refrigerator is disconnected from power. Precautions shall be taken to prevent fall of the handle from causing any personal injury.

Levelling feet

Schematic diagram of the leveling feet


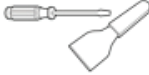




The picture above is only for reference. The actual configuration will depend on the physical product or statement by the distributor.

Adjusting procedures:

- Turn the feet clockwise to raise the refrigerator;
- Turn the feet counterclockwise to lower the refrigerator;
- Adjust the right and left feet based on the procedures above to a horizontal level.

Door Right-Left Change

List of tools to be provided by the user			
	Cross screwdriver		Putty knife thin-blade screwdriver
	5/16'' socket and ratchet		Masking tape

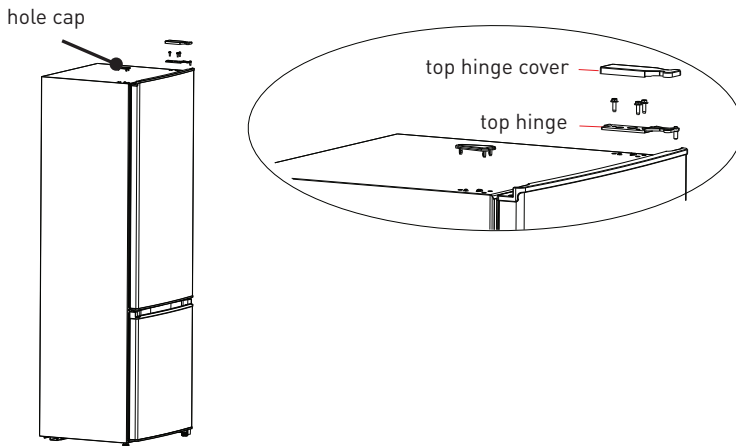
Parts to be used for door reverse

SN	Parts	Quantity	Notes
1	Right upper hinge	1	Pre-installed on the refrigerator, still used when door is reversed
2	Upper hinge screw	3	Pre-installed on the refrigerator and to be used when changing the door
3	Middle hinge screw	2	Pre-installed on the refrigerator and to be used when changing the door
4	Middle hinge	1	Pre-installed on the refrigerator and to be used when changing the door
5	Hole plug	2	Pre-installed on the refrigerator and to be used when changing the door
6	Adjustable foot	1	Pre-installed on the refrigerator and to be used when changing the door
7	Lower hinge screw	3	Pre-installed on the refrigerator and to be used when changing the door
8	Lower hinge assembly	1	Pre-installed on the refrigerator and to be used when changing the door

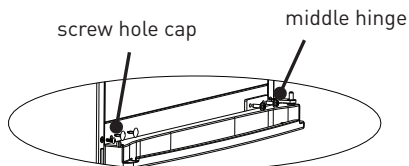
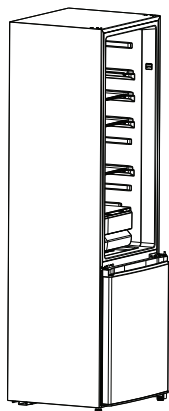
Parts to be used for door reverse

9	Lower end cover screw of freezing door	1	Pre-installed on the refrigerator and to be used when changing the door
10	Lower end cover limiting block of freezing door	1	Pre-installed on the refrigerator and to be used when changing the door
11	Lower end cover screw of refrigerator door	1	Pre-installed on the refrigerator and to be used when changing the door
12	Refrigerator door right stopper	1	Pre-installed on the refrigerator and to be used when changing the door
13	Refrigerator door left stopper	1	In the attached plastic bag, take them out for use when door is reversed

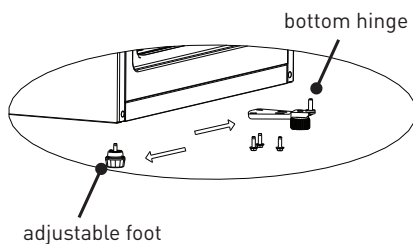
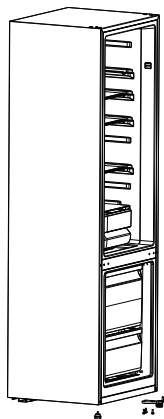
- Remove all food from the inner door liner.
- Dismantle top hinge cover, top hinge and hole cap of the other side.



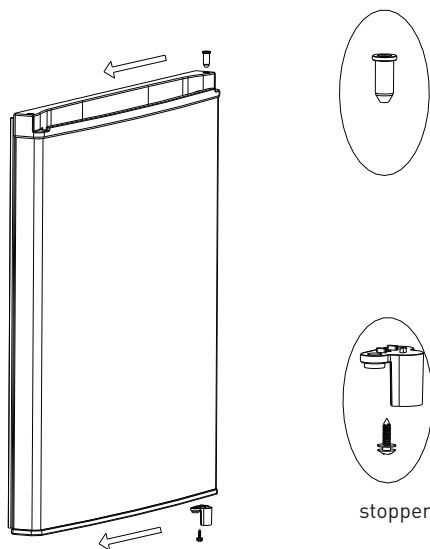
- Remove the refrigerator door ,middle hinge,and screw hole caps of the other side.



- Remove the freezer door and dismantle bottom hinge and left adjustable foot. Exchange the installation position of bottom hinge and adjustable foot, and fix the bottom hinge by fitting screws.

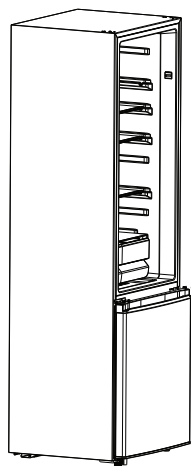


- Dismantle the door stopper of freezer door, and install it on other side by fitting screw.

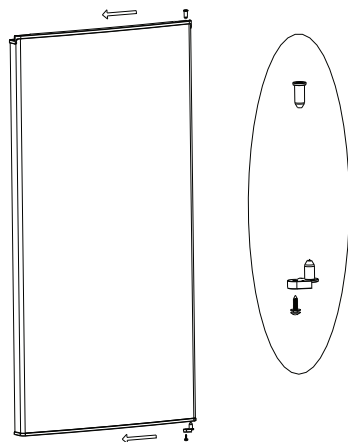
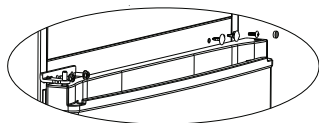


stopper

- Put the freezer door on bottom hinge, then install the middle hinge and screw hole caps (a). Dismantle the door stopper of refrigerator door, and install it on other side by fitting screw (b).

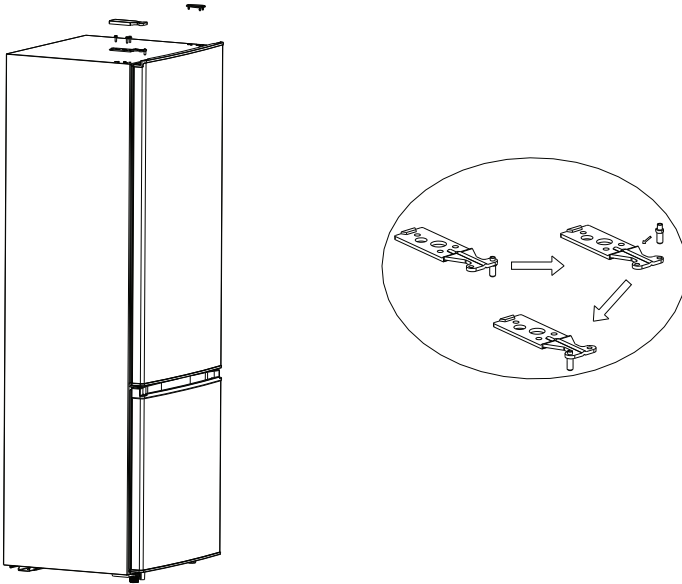


(a)

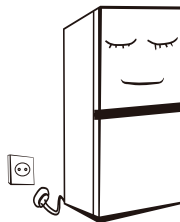


(b)

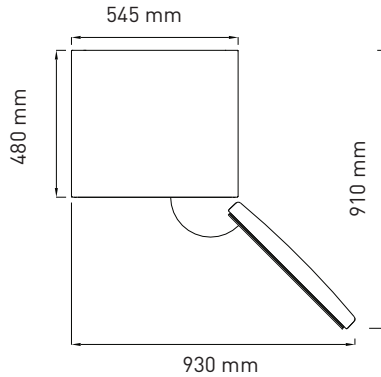
- Change the installation position of top hinge shaft as shown as below, then put the refrigerator door on middle hinge, and fix the top hinge by fitting screws, finally to install the top hinge cover and hole cap.



Starting



- Before initial start, keep the refrigerator still for half an hour before connecting it to power supply.
- Before putting any fresh or frozen foods, the refrigerator shall have run for 2-3 hours, or for above 4 hours in summer when the ambient temperature is high.



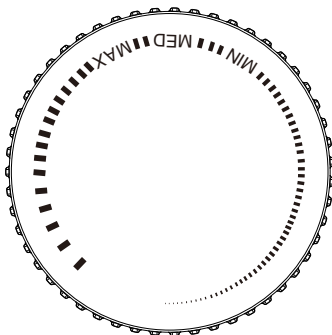
- Spare enough space for convenient opening of the doors and drawers or statement by the distributor.

Energy saving tips




- The appliance should be located in the coolest area of the room, away from heat producing appliances or heating ducts, and out of the direct sunlight.
- Let hot foods cool to room temperature before placing in the appliance. Overloading the appliance forces the compressor to run longer. Foods that freeze too slowly may lose quality, or spoil.
- Be sure to wrap foods properly, and wipe containers dry before placing them in the appliance. This cuts down on frost build-up inside the appliance.
- Appliance storage bin should not be lined with aluminum foil, wax paper, or paper toweling.
- Liners interfere with cold air circulation, making the appliance less efficient.
- Organize and label food to reduce door openings and extended searches. Remove as many items as needed at one time, and close the door as soon as possible

Functions

Temperature control



- Turn the temperature control knob to MAX, the internal temperature of the refrigerator becomes lower.
- Turn the temperature control knob to MIX, the internal temperature of the refrigerator becomes higher.
- Please adjust the temperature between «MAX» and «MIN».

Thermostat setting for ambient T°C : NORMAL $\approx +24^{\circ}\text{C}$ ($\pm 4^{\circ}\text{C}$)	 MED
Thermostat setting for ambient T°C : COLD $\approx +24^{\circ}\text{C}$ ($\pm 4^{\circ}\text{C}$)	 MED MAX
Thermostat setting for ambient T°C : HOT $\approx +24^{\circ}\text{C}$ ($\pm 4^{\circ}\text{C}$)	 MED MAX

Cleaning and maintenance

Overall cleaning

- Dusts behind the refrigerator and on the ground shall be timely cleaned to improve the cooling effect and energy saving.
- Check the door gasket regularly to make sure there are no debris. Clean the door gasket with a soft cloth dampened with soapy water or diluted detergent.
- The interior of the refrigerator should be cleaned regularly to avoid odor.
- Please turn off the power before cleaning interior, remove all foods, drinks ,shelves, drawers, etc. Use a soft cloth or sponge to clean the inside of the refrigerator, with two tablespoons of baking soda and a quart of warm water. Then rinse with water and wipe clean. After cleaning, open the door and let it dry naturally before turning on the power.
- For areas that are difficult to clean in the refrigerator (such as narrow sandwiches, gaps or corners), it is recommended to wipe them regularly with a soft rag, soft brush, etc. and when necessary, combined with some auxiliary tools (such as thin sticks) to ensure no contaminants or bacterials accumulation in these areas.
- Do not use soap, detergent, scrub powder, spray cleaner, etc., as these may cause odors in the interior of the refrigerator or contaminated food.
- Clean the bottle frame, shelves and drawers with a soft cloth dampened with soapy water or diluted detergent. Dry with a soft cloth or dry naturally.
- Wipe the outer surface of the refrigerator with a soft cloth dampened with soapy water, detergent, etc., and then wipe dry.
- Do not use hard brushes, clean steel balls, wire brushes, abrasives (such as toothpastes), organic solvents (such as alcohol, acetone, banana oil, etc.), boiling water, acid or alkaline items, which may damage the fridge surface and interior. Boiling water and organic solvents such as benzene may deform or damage plastic parts. Do not rinse directly with water or other liquids during cleaning to avoid short circuits or affect electrical insulation after immersion.

WARNING

Please unplug the refrigerator for defrost and cleaning.

Defrosting

- Power off the refrigerator.
- Remove the food from the refrigerator and place it properly to prevent food from melting.
- Clear the drain pipe (to use soft materials to prevent damage to the liner), Prepare the water containers for defrosting.(pay attention to clean the compressor compartment water draining tray, avoiding overflow to the ground).
- You can use the natural temperature for the natural defrost, you can also use the ice shovel to eliminate the frost (to use plastic or wooden ice shovel, for avoiding damage to the liner or pipe). You can also use the appropriate amount of hot water to speed up the defrost, with a dry towel to dry the water after defrosting.
- After defrosting, put back the foods in cabinet , and power on the refrigerator.

Out of operation

- Power failure: In case of power failure, even if it is in summer, foods inside the appliance can be kept for several hours; during the power failure, the times of door opening shall be reduced, and no more fresh food shall be put into the appliance.
- Long-time nonuse: The appliance shall be unplugged and then cleaned; then the doors are left open to prevent odor.
- Moving: Before the refrigerator is moved, take all objects inside out, fix the glass partitions, vegetable holder, freezing chamber drawers and etc. with tape, and tighten the leveling feet; close the doors and fix them with tape. During moving, the appliance shall not be laid upside down or horizontally, or be vibrated; the inclination during movement shall be no more than 45°.
- The appliance shall run continuously once it is started. Generally, the operation of the appliance shall not be interrupted; otherwise the service life may be impaired.

Troubleshooting

You may try to solve the following simple problems by yourself. If them cannot be solved, please contact the after-sales department.

Failed operation	<ul style="list-style-type: none">• Check whether the appliance is connected to power or whether the plug is in well contact• Check whether the voltage is too low• Check whether tripped there is a power failure or partial circuits have tripped
Odor	<ul style="list-style-type: none">• Odorous foods shall be tightly wrapped• Check whether there is any rotten food• Clean the inside of the refrigerator
Long-time operation of the compressor	<ul style="list-style-type: none">• Long operation of the refrigerator is normal in summer when the ambient temperature is high• It is not suggestible having too much food in the appliance at the same time• Food shall get cool before being put into the appliance• The doors are opened too frequently
Light fails to get lit	<ul style="list-style-type: none">• Check whether the refrigerator is connected to power supply and whether the illuminating light is damaged• Have the light replaced by a specialist
Doors cannot be properly closed	<ul style="list-style-type: none">• The door is stuck by food packages• Too much food is placed• The refrigerator is tilted
Loud noise	<ul style="list-style-type: none">• Check whether the floor is level and whether the refrigerator is placed stably• Check whether accessories are placed at proper locations
Door seal fails to be tight	<ul style="list-style-type: none">• Remove foreign matters on the door seal• Heat the door seal and then cool it for restoration (or blow it with an electrical drier or use a hot towel for heating)
Water pan overflows	<ul style="list-style-type: none">• There is too much food in the chamber or food stored contains too much water,resulting in heavy defrosting• The doors are not closed properly, resulting in frosting due to entry of air and increased water due to defrosting

Hot housing

Heat dissipation of the built-in condenser via the housing, which is normal. When housing becomes hot due to high ambient temperature, storage of too much food or shutdown of the compressor is shut down, provide sound ventilation to facilitate heat dissipation.

Surface condensation

Condensation on the exterior surface and door seals of the refrigerator is normal when the ambient humidity is too high. Just wipe the condensate

Abnormal noise

- Buzz: The compressor may produce buzzes during operation, and the buzzes are loud particularly upon start or stop. This is normal.
- Creak: Refrigerant flowing inside of the appliance may produce creak, which is normal.

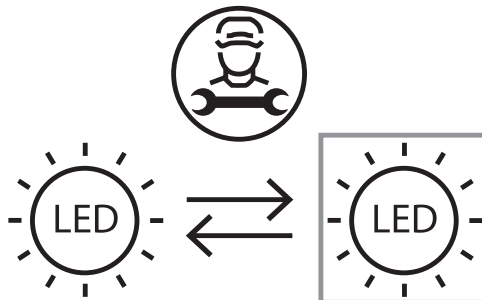
Changing the Light

This product contains a light source exempted of energy efficiency class.

Light source in this product can only be replaced by qualified professionals.

Please contact after-sales service if the light source fails.

The light source shall be removed at the end of the product's useful life, with sorting and recycling done separately.



Merci !

Nous vous remercions d'avoir choisi ce produit VALBERG.

Choisis, testés et recommandés par ELECTRO DEPOT, les produits de la marque VALBERG sont simples d'utilisation, tout en offrant des performances fiables et une qualité irréprochable.

Grâce à cet appareil, vous êtes assuré(e) que chaque utilisation vous apportera satisfaction.

Bienvenue chez ELECTRO DEPOT.

Consultez notre site Internet : www.electrodepot.fr



ELECTRO DEPOT

A

Aperçu de l'appareil

Description de l'appareil

B

**Utilisation de
l'appareil**

Utilisation correcte du réfrigérateur
Structure et fonctions

C

**Informations
pratiques**

Nettoyage et entretien
Dépannage

Description de l'appareil

- ① Éclairage LED
- ② Bouton de réglage de la température
- ③ Clayette
- ④ Bac à légumes
- ⑤ Tiroir
- ⑥ Balconnet de porte
- ⑦ Balconnet de porte

Ce schéma est fourni à titre indicatif uniquement. La configuration réelle dépend du produit concerné ou des indications fournies par le distributeur.

Compartment de réfrigération

- Le compartiment de réfrigération convient à la conservation d'une variété de fruits, de légumes, de boissons et d'autres aliments consommés à court terme, la durée de conservation suggérée étant de 3 à 5 jours.
- Les aliments cuits ne doivent pas être placés dans le compartiment de réfrigération tant qu'ils n'ont pas refroidi et atteint la température ambiante.
- Il est recommandé d'emballer les aliments de manière hermétique avant de les ranger dans le réfrigérateur.
- Les clayettes en verre peuvent être déplacées vers le haut ou le bas pour faciliter l'utilisation de l'appareil et disposer d'un espace de rangement suffisant.

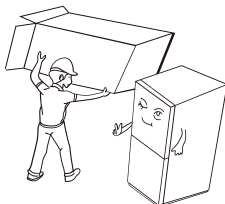
Compartment de congélation

- Le compartiment de congélation à basse température permet de garder les aliments frais pendant longtemps. Il est principalement utilisé pour conserver des produits surgelés et pour fabriquer des glaçons.
- Le compartiment de congélation convient pour la conservation de viande, de poisson, de boulettes de riz et d'autres aliments qui ne vont pas être consommés à court terme.
- Il est préférable de découper la viande en petits morceaux pour accélérer la congélation et pouvoir les utiliser plus facilement.

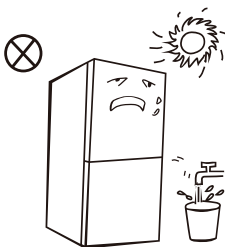
- Veuillez noter que les aliments doivent être consommés avant la fin de leur durée limite de conservation.
- La quantité maximale d'aliments pouvant être congelée en 24 heures est indiquée sur la plaque signalétique de l'appareil.
- Le positionnement des tiroirs, bacs, clayettes, etc. indiqué sur le schéma est le plus économe en énergie.

Utilisation correcte du réfrigérateur

Installation

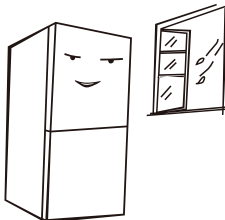


Avant d'utiliser l'appareil, retirez tous les matériaux d'emballage, y compris le rembourrage du fond, les blocs de mousse et les adhésifs situés à l'intérieur ; ôtez le film de protection des portes et du corps du réfrigérateur.

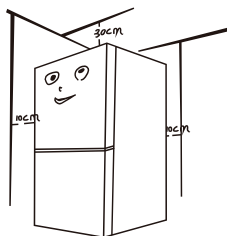


Conservez l'appareil à l'abri de la chaleur et de la lumière directe du soleil. Ne le placez pas dans un endroit humide ou à proximité d'un point d'eau pour éviter la formation de rouille ou la diminution de l'effet isolant.

Vous ne devez pas pulvériser ou laver le réfrigérateur. Ne le placez pas dans des endroits humides où il pourrait facilement recevoir des éclaboussures d'eau, pour ne pas nuire aux propriétés d'isolation électrique de l'appareil.



Le réfrigérateur doit être positionné dans un endroit bien ventilé, situé à l'intérieur. La surface sur laquelle il est installé doit être plane et solide (s'il n'est pas stable, tournez les pieds de réglage vers la gauche ou la droite pour le mettre à niveau).



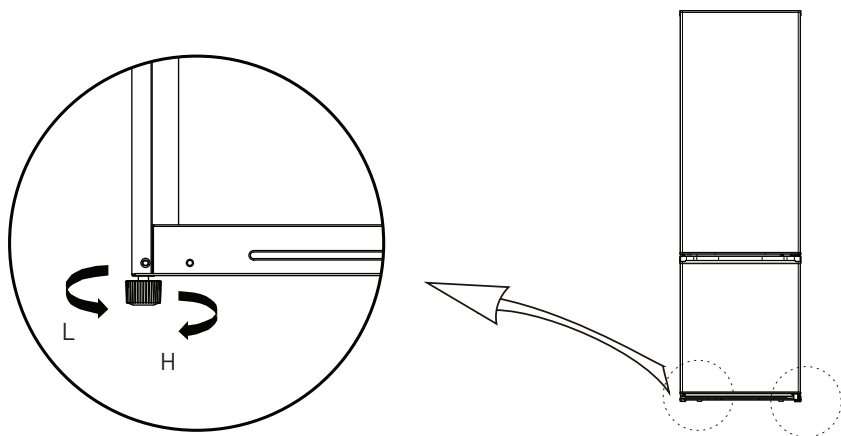
Il convient de prévoir un espace de plus de 30 cm au-dessus du réfrigérateur. L'appareil doit être placé contre un mur, en laissant un espace libre de plus de 10 cm, afin de faciliter la dissipation de la chaleur.

ATTENTION !

Avant d'installer ou de régler les accessoires, assurez-vous d'avoir débranché l'appareil de l'alimentation secteur. Vous devez prendre des précautions pour éviter de faire tomber la poignée et de causer des blessures.

Pieds de mise à niveau

Schéma des pieds de réglage

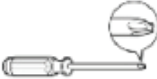
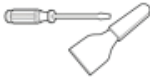




Le schéma ci-dessus est fourni à titre indicatif uniquement. La configuration réelle dépend du produit concerné ou des indications fournies par le distributeur.

Procédure de réglage :

- Tournez les pieds dans le sens des aiguilles d'une montre pour rehausser l'appareil.
- Tournez les pieds dans le sens inverse des aiguilles d'une montre pour abaisser l'appareil.
- Réglez le pied droit et le pied gauche en suivant la procédure ci-dessus, jusqu'à ce que l'appareil soit de niveau.

Changement du sens d'ouverture de la porte

Liste des outils à fournir par l'utilisateur			
	Tournevis cruciforme		Couteau à mastic et tournevis à lame plate
	Douille et cliquet de 5/16		Ruban de masquage

Pièces à utiliser pour l'inversion de la porte

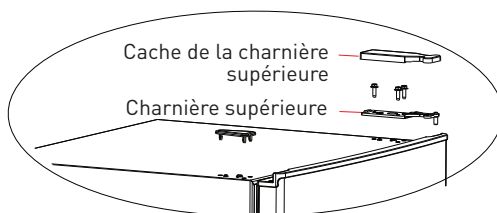
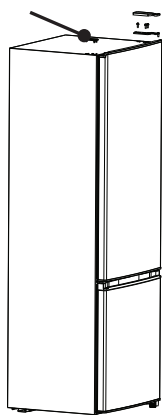
Réf.	Pièces	Quantité	Remarques
1	Charnière supérieure droite	1	Pré-installée sur l'appareil, toujours utilisée après l'inversion de la porte
2	Vis de la charnière supérieure	3	Pre-installée sur l'appareil et devant être utilisée lors de l'inversion de la porte
3	Vis de la charnière centrale	2	Pre-installée sur l'appareil et devant être utilisée lors de l'inversion de la porte
4	Charnière centrale	1	Pre-installée sur l'appareil et devant être utilisée lors de l'inversion de la porte
5	Cache-trou	2	Pre-installé sur l'appareil et devant être utilisé lors de l'inversion de la porte
6	Pied réglable	1	Pre-installé sur l'appareil et devant être utilisé lors de l'inversion de la porte
7	Vis de la charnière inférieure	3	Pre-installée sur l'appareil et devant être utilisée lors de l'inversion de la porte
8	Ensemble de charnière inférieure	1	Pre-installé sur l'appareil et devant être utilisé lors de l'inversion de la porte

Pièces à utiliser pour l'inversion de la porte

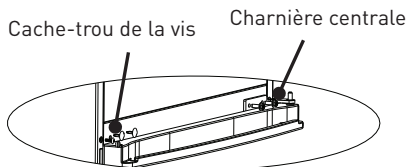
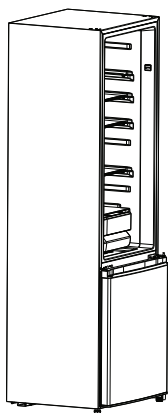
9	Vis du capot inférieur de la porte du compartiment de congélation	1	Pre-installée sur l'appareil et devant être utilisée lors de l'inversion de la porte
10	Système de blocage du capot inférieur de la porte du compartiment de congélation	1	Pre-installé sur l'appareil et devant être utilisé lors de l'inversion de la porte
11	Vis du capot inférieur de la porte du compartiment de réfrigération	1	Pre-installée sur l'appareil et devant être utilisée lors de l'inversion de la porte
12	Butée droite de la porte du compartiment de réfrigération	1	Pre-installée sur l'appareil et devant être utilisée lors de l'inversion de la porte
13	Butée gauche de la porte du compartiment de réfrigération	1	Dans le sachet en plastique fourni avec l'appareil, sortez la pièce pour l'utiliser lors de l'inversion de la porte

- Retirez tous les aliments des balconnets de porte.
- Démontez le cache de la charnière supérieure, la charnière supérieure et le cache-trou de l'autre côté.

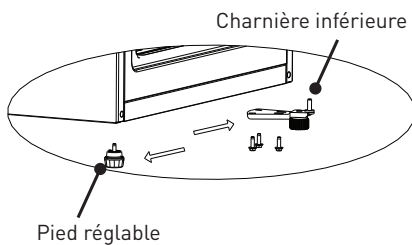
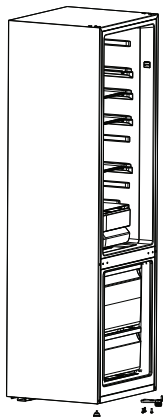
Cache-trou



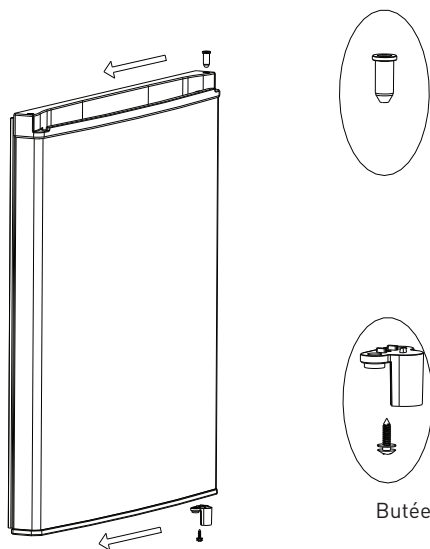
- Retirez la porte du réfrigérateur, la charnière centrale et vissez les caches de l'autre côté.



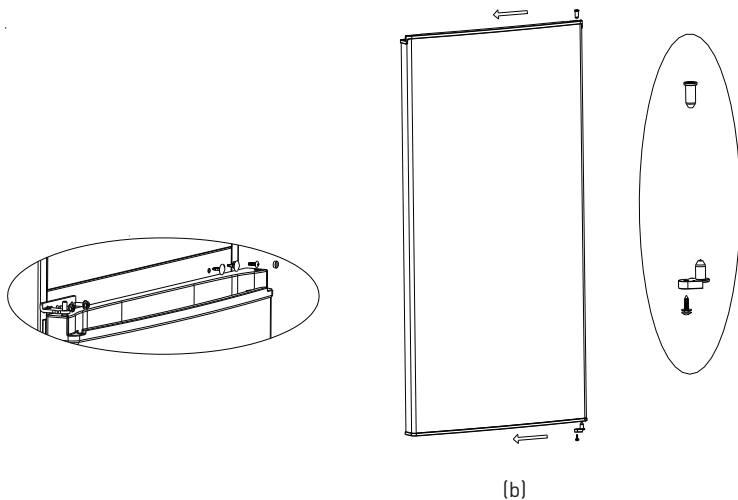
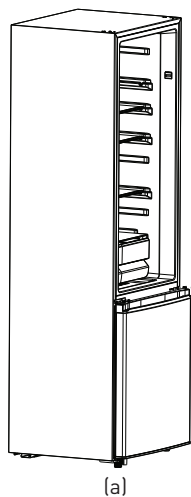
- Retirez la porte du congélateur et démontez la charnière inférieure et le pied réglable gauche. Inversez les positions de la charnière inférieure et du pied réglable, et fixez la charnière inférieure à l'aide d'une vis de fixation.



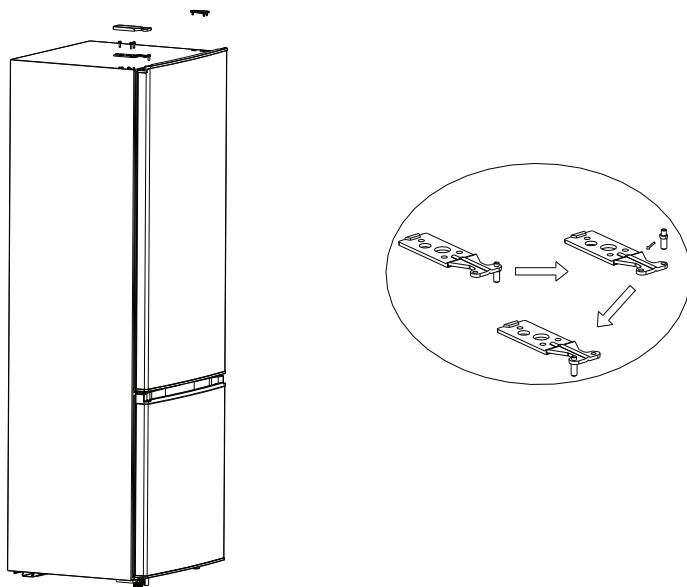
- Démontez la butée de la porte du congélateur et installez-la de l'autre côté à l'aide d'une vis de fixation.



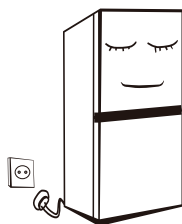
- Placez la porte du congélateur sur la charnière inférieure, puis installez la charnière centrale et les caches des trous de vis (a). Démontez la butée de la porte du réfrigérateur et installez-la de l'autre côté à l'aide d'une vis de fixation (b).



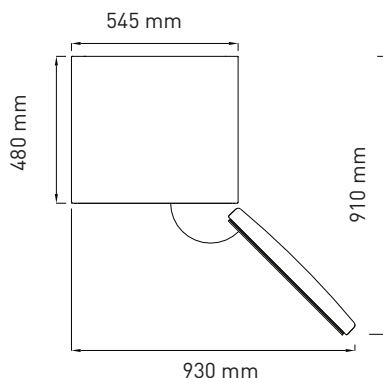
- Inversez la position de l'axe de la charnière supérieure de la manière indiquée ci-dessous, puis placez la porte du réfrigérateur sur la charnière centrale et fixez la charnière supérieure à l'aide des vis de fixation. Enfin, installez le cache de la charnière supérieure et le cache-trou.



Démarrage



- Avant le démarrage initial de l'appareil, conservez-le immobile pendant 30 minutes avant de le brancher à l'alimentation électrique.
- Avant de placer des aliments frais ou surgelés dans l'appareil, il convient de le laisser fonctionner pendant 2 à 3 heures, ou plus de 4 heures en été, lorsque la température ambiante est élevée.



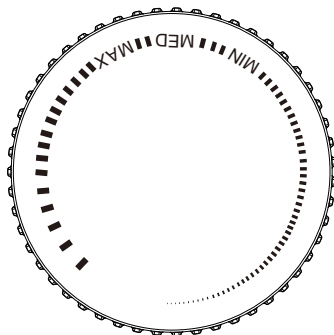
- Prévoyez suffisamment d'espace pour permettre une ouverture aisée des portes et des bacs, tel que préconisé par le distributeur.

Conseils d'économie d'énergie




- L'appareil doit être placé dans la zone la plus fraîche de la pièce, à l'abri de la lumière directe du soleil, et ne doit pas se trouver à proximité d'appareils produisant de la chaleur ou de conduits de chauffage.
- Laissez les aliments chauds refroidir à température ambiante avant de les ranger dans l'appareil. Si vous surchargez l'appareil, le compresseur devra fonctionner plus longtemps. Si les aliments sont congelés trop lentement, cela peut nuire à leur qualité ou ils risquent de pourrir.
- Assurez-vous d'emballer les aliments correctement, et essayez les récipients de manière à ce qu'ils soient parfaitement secs avant de les placer dans l'appareil. Ceci permet de limiter la formation de givre à l'intérieur de l'appareil.
- Les bacs de rangement de l'appareil ne doivent pas être recouverts de papier aluminium, de papier sulfurisé, ni d'essuie-tout.
- De tels revêtements entravent la circulation de l'air froid, ce qui diminue l'efficacité de l'appareil.
- Organisez et étiquetez les aliments, afin de limiter les ouvertures de porte et les recherches prolongées. Essayez de sortir en une seule fois les aliments dont vous avez besoin et refermez la porte dès que possible.

Fonctions

Bouton de réglage de la température



- Tournez le bouton de réglage de la température vers MAX pour abaisser la température interne du réfrigérateur.
- Tournez le bouton de réglage de la température vers MIN pour augmenter la température interne du réfrigérateur.
- Veuillez régler la température entre « MAX » et « MIN ».

Réglage du thermostat pour T°C ambiante : NORMALE ≈ +24°C (± 4°C)	 MED
Réglage du thermostat pour T°C ambiante : FROIDE ≈ +24°C (± 4°C)	 MED MAX
Réglage du thermostat pour T°C ambiante : CHAUDE ≈ +24°C (± 4°C)	 MED MAX

Nettoyage et entretien

Nettoyage général

- La poussière à l'arrière du réfrigérateur et au sol doit être nettoyée périodiquement pour améliorer les propriétés de refroidissement de l'appareil et économiser de l'énergie.
- Vérifiez régulièrement le joint de la porte pour vous assurer qu'il ne comporte pas de résidus. Nettoyez le joint de la porte à l'aide d'un chiffon doux humidifié d'eau savonneuse ou de solution détergente diluée.
- L'intérieur du réfrigérateur doit également être nettoyé régulièrement afin d'éviter toute formation d'odeurs.
- Avant de nettoyer l'intérieur de l'appareil, veuillez couper l'alimentation et retirer l'ensemble des aliments, boissons, clayettes et bacs qui s'y trouvent. Pour nettoyer l'intérieur du réfrigérateur, utilisez un chiffon doux ou une éponge imbibé(e) d'une solution contenant deux cuillères à soupe de bicarbonate de soude et un litre d'eau chaude. Rincez ensuite à l'eau claire et essuyez. Une fois le nettoyage effectué, ouvrez la porte et laissez sécher l'intérieur à l'air libre avant de remettre l'appareil sous tension.
- Pour les parties intérieures difficiles à nettoyer (comme les rainures, les espaces étroits ou les coins), il est recommandé de les essuyer régulièrement à l'aide d'un chiffon doux ou d'une brosse douce etc., et si nécessaire, d'utiliser des outils auxiliaires (par exemples des baguettes fines), afin d'éviter que des contaminants ou bactéries ne s'y accumulent.
- N'utilisez pas de savon, de détergent, de poudre à récurer, de spray nettoyant, etc., car ces derniers pourraient générer des odeurs à l'intérieur du réfrigérateur ou contaminer la nourriture.
- Nettoyez le balconnet à bouteilles, les clayettes et les bacs à l'aide d'un chiffon doux humidifié avec de l'eau savonneuse ou du détergent dilué. Séchez-les à l'aide d'un chiffon doux ou à l'air libre.
- Essuyez la surface extérieure du réfrigérateur à l'aide d'un chiffon doux humidifié avec de l'eau savonneuse ou du détergent, par exemple, puis séchez-la.
- N'utilisez pas de brosses dures, de tampons à récurer métalliques, de brosses métalliques, de produits abrasifs (comme du dentifrice), de solvants organiques (comme de l'alcool, de l'acétone, de l'acétate d'amyle, etc.), d'eau bouillante, de substances acides ou alcalines : ils risqueraient d'endommager la surface et l'intérieur de l'appareil. L'eau bouillante et les solvants organiques, comme le benzène, risquent de déformer ou d'endommager les pièces en plastique. Ne rincez pas l'appareil directement avec de l'eau ou d'autres liquides lors du nettoyage, afin d'éviter tout court-circuit ou d'affecter l'isolation électrique en cas d'immersion.

AVERTISSEMENT

Débranchez l'appareil avant de le dégivrer ou de le nettoyer.

Dégivrage

- Mettez l'appareil hors tension.
- Sortez les aliments de l'appareil et stockez-les correctement pour éviter qu'ils ne fondent.
- Nettoyez le tuyau d'évacuation (utilisez des matières douces pour éviter d'abîmer le revêtement). Préparez les récipients d'eau pour le dégivrage (veillez à nettoyer le bac d'évacuation d'eau du compresseur, en évitant de verser de l'eau sur le sol).
- Vous pouvez utiliser la température ambiante pour un dégivrage naturel, ou bien une pelle à glace pour retirer le givre (utilisez une pelle à glace en plastique ou en bois, pour éviter d'abîmer le revêtement ou le tuyau). Vous pouvez également utiliser une quantité appropriée d'eau chaude pour accélérer le dégivrage, en séchant l'eau avec une serviette sèche à la fin du dégivrage.
- Après le dégivrage, remplacez les aliments dans le compartiment et rallumez l'appareil.

Mise hors service

- Panne de courant : dans un tel cas, même en été, les aliments à l'intérieur de l'appareil peuvent se conserver pendant plusieurs heures. Pendant la panne de courant, limitez le nombre d'ouvertures de la porte et ne rajoutez plus d'aliments frais dans l'appareil.
- Inutilisation prolongée : l'appareil doit être débranché, puis nettoyé. Les portes doivent ensuite être laissées ouvertes pour éviter la formation d'odeurs.
- Déplacement : avant de déplacer l'appareil, videz-le de son contenu, fixez avec de l'adhésif les clayettes en verre, le tiroir à légumes, les tiroirs du compartiment de congélation, etc., et resserrez les pieds de réglage. Fermez les portes et fixez-les avec de l'adhésif. Lors du déplacement, l'appareil ne doit pas être posé à l'envers, placé en position horizontale, ni soumis à des vibrations. Pendant une telle opération, son inclinaison ne doit pas dépasser 45 °.
- Une fois le démarrage effectué, l'appareil fonctionnera en continu. En règle générale, le fonctionnement de l'appareil ne doit pas être interrompu, sinon sa durée de vie risque d'être réduite.

Dépannage

Vous pouvez essayer de régler par vous-même les problèmes simples suivants. Si vous n'y parvenez pas, veuillez contacter le service après-vente.

L'appareil ne fonctionne pas

- Vérifiez s'il est branché à l'alimentation électrique et si la fiche est bien insérée dans la prise.
- Vérifiez si la tension est trop faible.
- Vérifiez si vous subissez une coupure de courant ou si des circuits partiels ont disjoncté.

Odeurs

- Les aliments dégageant une odeur forte doivent être bien enveloppés.
- Vérifiez si des aliments ont pourri.
- Nettoyez l'intérieur de l'appareil.

Fonctionnement prolongé du compresseur

- Le fonctionnement prolongé de l'appareil est normal en été, quand la température ambiante est élevée.
- Il n'est pas recommandé de conserver une trop grande quantité de nourriture dans l'appareil en même temps.
- Les aliments doivent refroidir avant d'être placés dans l'appareil.
- Les portes sont ouvertes trop fréquemment.

La lumière ne s'allume pas

- Vérifiez que l'appareil est branché à l'alimentation électrique et que l'éclairage n'est pas endommagé.
- Faites remplacer l'ampoule par un spécialiste.

Les portes ne ferment pas correctement

- La porte est bloquée par les emballages des aliments.
- L'appareil contient une quantité trop importante d'aliments.
- L'appareil est incliné.

Bruits forts

- Vérifiez si le sol est plat et si l'appareil est positionné de manière stable.
- Vérifiez si les accessoires sont placés au bon endroit.

Les joints de la porte ne sont pas hermétiques.

- Retirez les éventuels corps étrangers présents sur les joints de la porte.
- Chauffez le joint de la porte, puis laissez-le refroidir et se remettre en place (vous pouvez utiliser un sèche-cheveux électrique ou une serviette chaude pour le chauffer)

Débordement du bac de récupération d'eau

- Une quantité trop importante de nourriture est rangée dans l'appareil ou les aliments stockés contiennent trop d'eau, ce qui a entraîné un dégivrage important.
- Les portes ne sont pas fermées correctement, conduisant à la formation de givre, en raison de l'entrée d'air et de la présence d'une plus grande quantité d'eau liée au dégivrage.

La structure de l'appareil est chaude

La chaleur du condenseur intégré se dissipe via la structure, ce qui est normal. Quand la structure devient chaude en raison d'une température ambiante élevée, du stockage d'une trop grande quantité de nourriture ou de l'arrêt du compresseur, assurez une bonne ventilation pour faciliter la dissipation de la chaleur.

Condensation de surface

La condensation sur la surface externe et les joints de porte du réfrigérateur est normale lorsque l'humidité ambiante est trop élevée. Il suffit d'essuyer la condensation.

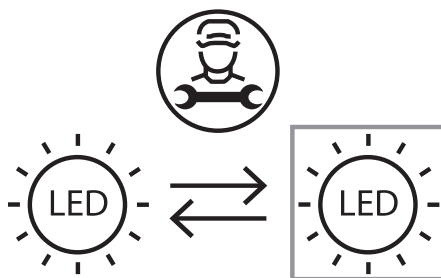
Bruits anormaux

- Bourdonnement : il est possible que le compresseur bourdonne pendant son fonctionnement, et ces bruits sont particulièrement forts lors du démarrage ou de l'arrêt. Ceci est normal.
- Craquements : le fluide frigorigène circulant à l'intérieur de l'appareil peut émettre des craquements, ce qui est normal.

Remplacement de l'éclairage

Ce produit contient une source lumineuse exemptée de classe d'efficacité énergétique. La source lumineuse de ce produit ne peut être remplacée que par des professionnels qualifiés. Veuillez-vous rapprocher du service après-vente en cas de défaillance de la source lumineuse.

Il convient de retirer la source lumineuse à la fin de la vie utile du produit, le tri et le recyclage étant effectués séparément.



Bedankt!

Bedankt om dit VALBERG-product te kiezen.
ELECTRO DEPOT kiest, test, en beveelt de producten
van het merk VALBERG aan.

Ze zijn eenvoudig te gebruiken, betrouwbaar en van
onberispelijke kwaliteit.

Dankzij dit toestel kunt u er zeker van zijn dat u bij
elk gebruik volledig tevreden bent.

Welkom bij ELECTRO DEPOT.

Bezoek onze website: www.electrodepot.fr



ELECTRO DEPOT

A

**Overzicht van het
toestel**

Beschrijving van het toestel

B

**Gebruik van het
toestel**

Juist gebruik van koelkasten
Structuur en functies

C

**Praktische
informatie**

Reiniging en onderhoud
Probleemoplossing

Beschrijving van het toestel

- 1 Led-lampje
- 2 Temperatuurcontrole
- 3 Legplank
- 4 Vershoudlade voor groenten
- 5 Lade
- 6 Deurrekje
- 7 Deurrekje

Bovenstaande afbeelding is enkel ter referentie. De eigenlijke configuratie is afhankelijk van het product of de verklaring van de verdeler.

Koelruimte

- De koelruimte is geschikt voor het opslaan van een verscheidenheid aan fruit, groenten, dranken en andere voeding die op korte termijn wordt geconsumeerd. De gesuggereerde bewaartermijn bedraagt 3 tot 5 dagen.
- Gekookte voeding mag niet in de koelruimte worden geplaatst tot ze afgekoeld is tot kamertemperatuur.
- Het is aanbevolen om voeding in een afgesloten container te doen alvorens ze in de koelkast te plaatsen.
- De glazen legplanken kunnen hoger of lager geplaatst worden om een redelijke opslagruimte te bekomen die gemakkelijk kan worden gebruikt.

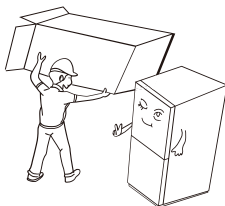
Diepvriesruimte

- Door de lage temperatuur in de diepvriesruimte kan voeding langer vers worden gehouden. Ze wordt vooral gebruikt voor het bewaren van diepgevroren voeding en voor het maken van ijs.
- De diepvriesruimte is geschikt voor het bewaren van vlees, vis, rijstballetjes en andere voeding die niet op korte termijn wordt geconsumeerd.
- Grote stukken vlees worden bij voorkeur in kleinere stukken verdeeld zodat ze snel invriezen en gemakkelijk toegankelijk zijn.

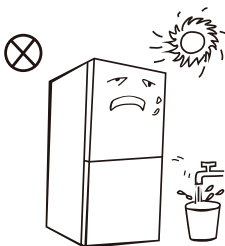
- Gelieve er rekening mee te houden dat voeding geconsumeerd moet worden binnen de bewaartermijn.
- De maximale hoeveelheid voeding die in 24 uur tijd ingevroren kan worden, staat vermeld op de scoreplaat van het toestel.
- Lades, voedseldozen, legplanken enz. die worden geplaatst zoals aangegeven op de afbeelding hierboven zijn het meest energie-efficiënt.

Juist gebruik van koelkasten

Installatie

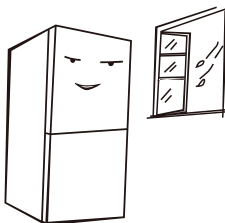


Alvorens de koelkast te gebruiken, verwijder alle verpakkingsmaterialen, inclusief bodemkussens, piepschuim en kleefband binnenin de koelkast; verwijder de beschermende folie van de deuren en van de behuizing van de koelkast.

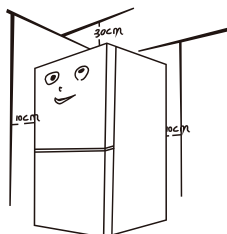


Houd uit de buurt van warmte en vermijd rechtstreeks zonlicht. Installeer de diepvriezer niet in vochtige ruimten om roestvorming te voorkomen of de isolerende werking van het toestel te verminderen.

Besproei of was de koelkast niet; plaats de koelkast niet in vochtige ruimten waar ze gemakkelijk bespat kan worden met water om de elektrische isolatie-eigenschappen van de koelkast niet te beïnvloeden.



De koelkast moet in een goed geventileerde ruimte binnenshuis worden geïnstalleerd; de vloer moet vlak en stevig zijn (draai de wieltjes naar links of naar rechts om het toestel waterpas te zetten wanneer het onstabiel is).



De ruimte boven de koelkast moet groter zijn dan 30 cm en de koelkast moet tegen een muur worden geplaatst met een vrije afstand van meer dan 10 cm zodat warmte gemakkelijker kan worden afgevoerd.

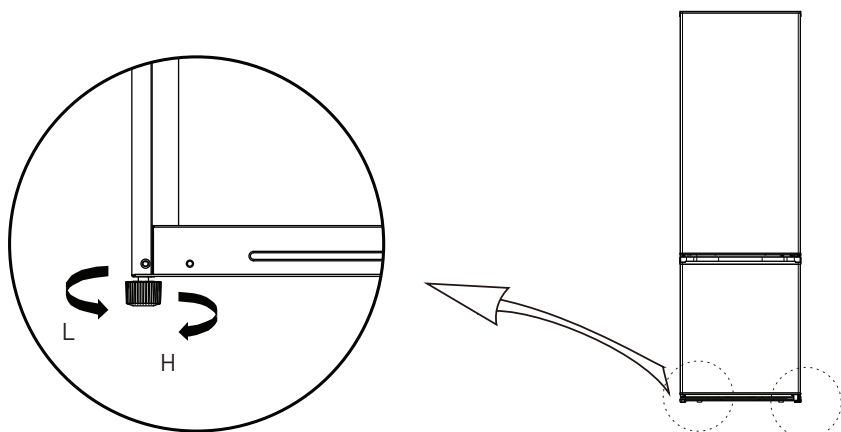
OPGELET!

Alvorens accessoires te installeren of aan te passen, zorg ervoor dat de stekker van de koelkast uit het stopcontact is gehaald.

Er moeten voorzorgsmaatregelen worden getroffen om vallen van de hendel te voorkomen waardoor persoonlijke letsels kunnen ontstaan.

Verstelvoeten

Schematisch diagram van de verstelvoeten



Bovenstaande afbeelding is enkel ter referentie. De eigenlijke configuratie is afhankelijk van het product of de verklaring van de verdeler.

Aanpassingsprocedures:

- Draai de voeten in wijzerzin om de koelkast te verhogen;
- Draai de voeten in tegenwijzerzin om de koelkast te verlagen;
- Pas de rechter en linker voet op basis van de bovenstaande procedures aan naar een horizontaal niveau.

Deur links-rechts veranderen

Lijst met gereedschap dat door de gebruiker voorzien dient te worden			
	Kruiskopschroevendraaier		Plamuurmes platkopschroevendraaier
	5/16" dopratelsleutel		Afplaktape

Onderdelen die gebruikt moeten worden om de deur om te keren

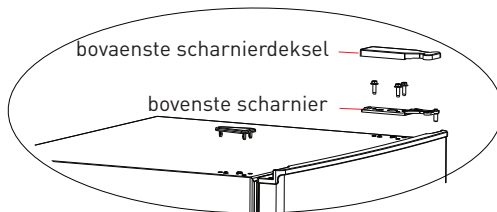
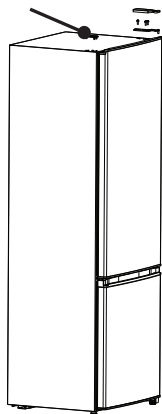
SN	Onderdelen	Aantal	Notities
1	Bovenste scharnier rechts	1	Vooraf geïnstalleerd op de koelkast, wordt nog gebruikt wanneer de deur is omgekeerd
2	Bovenste scharnierschroef	3	Vooraf geïnstalleerd op de koelkast en moet gebruikt worden wanneer de deur wordt veranderd
3	Middelste scharnierschroef	2	Vooraf geïnstalleerd op de koelkast en moet gebruikt worden wanneer de deur wordt veranderd
4	Middelste scharnier	1	Vooraf geïnstalleerd op de koelkast en moet gebruikt worden wanneer de deur wordt veranderd
5	Gatdeksel	2	Vooraf geïnstalleerd op de koelkast en moet gebruikt worden wanneer de deur wordt veranderd
6	Verstelbare voet	1	Vooraf geïnstalleerd op de koelkast en moet gebruikt worden wanneer de deur wordt veranderd

Onderdelen die gebruikt moeten worden om de deur om te keren

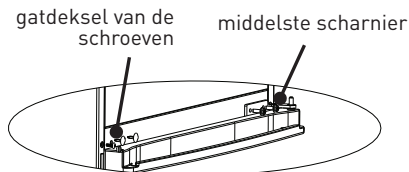
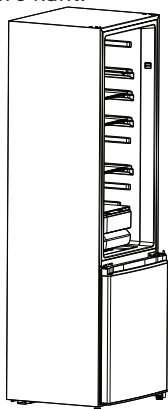
7	Onderste scharnierschroef	3	Vooraf geïnstalleerd op de koelkast en moet gebruikt worden wanneer de deur wordt veranderd
8	Onderste scharnierconstructie	1	Vooraf geïnstalleerd op de koelkast en moet gebruikt worden wanneer de deur wordt veranderd
9	Onderste eindafdekschroef van diepvriesdeur	1	Vooraf geïnstalleerd op de koelkast en moet gebruikt worden wanneer de deur wordt veranderd
10	Onderste eindafdeklimietblok van diepvriesdeur	1	Vooraf geïnstalleerd op de koelkast en moet gebruikt worden wanneer de deur wordt veranderd
11	Onderste eindafdekschroef van de koelkastdeur	1	Vooraf geïnstalleerd op de koelkast en moet gebruikt worden wanneer de deur wordt veranderd
12	Rechterstopper van de koelkastdeur	1	Vooraf geïnstalleerd op de koelkast en moet gebruikt worden wanneer de deur wordt veranderd
13	Linkerstopper van de koelkastdeur	1	Neem ze uit het plastic zakje om ze te gebruiken wanneer de deur wordt omgekeerd

- Verwijder alle voeding uit de binnenkant van de deur.
- Demonteer het deksel van het bovenste scharnier, het bovenste scharnier en het gatdeksel van de andere kant;

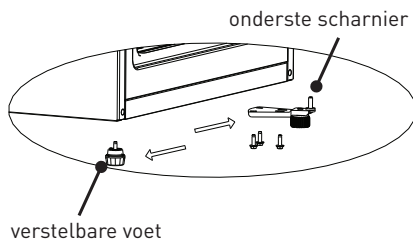
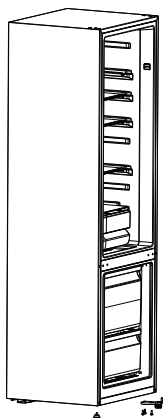
afdekplaatje



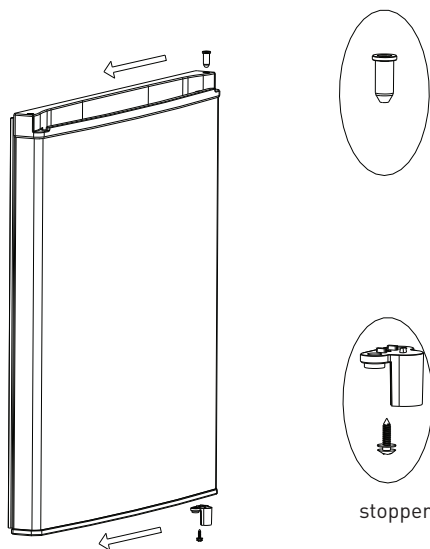
- Verwijder de koelkastdeur, het middelste scharnier en de gatdeksels van de schroeven van de andere kant.



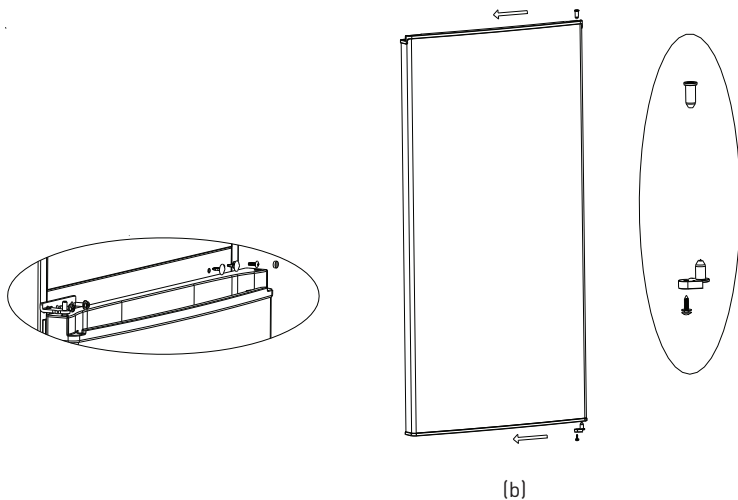
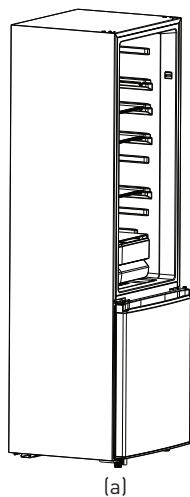
- Verwijder de diepvriezerdeur en demonteer het onderste scharnier en de verstelbare voet links. Wissel de installatiepositie van het onderste scharnier en de verstelbare voet en maak het onderste scharnier vast met de schroeven.



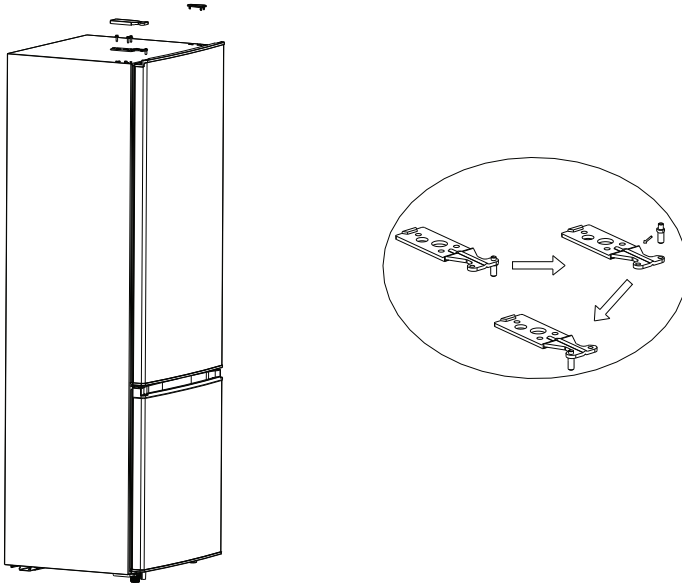
- Demonteer de deurstopper van de diepvriezerdeur en installeer ze aan de andere kant met de schroeven.



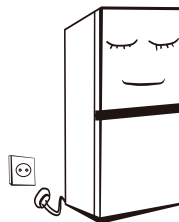
- Plaats de diepvriezerdeur en het onderste scharnier en installeer vervolgens het middelste scharnier en de gatdeksels van de schroeven (a). Demonteer de deurstopper van de koelkastdeur en installeer ze aan de andere kant met de schroeven (b).



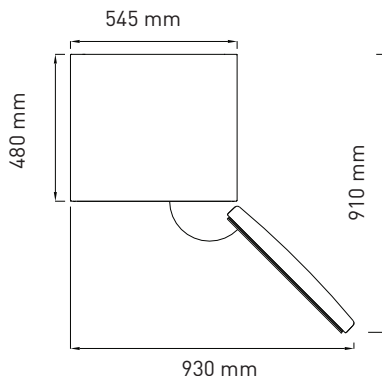
- Wijzig de installatiepositie van de as van het bovenste scharnier zoals hieronder weergegeven, plaats de koelkastdeur op het middelste scharnier en maak het bovenste scharnier vast met de schroeven. Installeer vervolgens het deksel van het bovenste scharnier en het gatdeksel.



Inschakeling



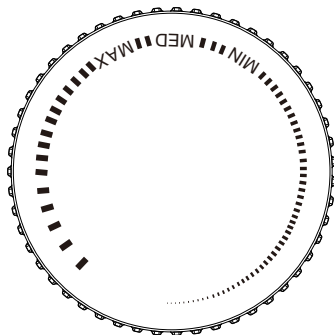
- Alvorens de koelkast voor het eerst te gebruiken, houd de koelkast stil gedurende een half uur alvorens de stekker in het stopcontact te steken.
- Alvorens verse of diepgevroren voeding te plaatsen, moet de koelkast 2 tot 3 uur lang hebben gewerkt of in de zomer langer dan 4 uur wanneer de omgevingstemperatuur hoog is.






- Voorzie voldoende ruimte om de deuren en laden gemakkelijk te kunnen openen of verklaring van de verdeler.

Tips om energie te besparen

- Het toestel moet in de koelste ruimte van de kamer worden geplaatst, verwijderd van toestellen die warmte genereren of verwarmingskanalen en mag niet in rechtstreeks zonlicht staan.
- Laat hete voedingswaren afkoelen tot kamertemperatuur alvorens ze in het toestel te plaatsen. Wanneer het toestel te vol wordt geladen, zal de compressor gedwongen zijn langer te werken. Voedingswaren die te langzaam worden diepgevroren kunnen hun kwaliteit verliezen of bederven.
- Zorg ervoor dat voedingswaren naar behoren worden verpakt en wrijf containers droog alvorens ze in het toestel te plaatsen. Zo vermindert de opbouw van rijp binnen in het toestel.
- De opslaglade van het toestel mag niet afgedekt worden met aluminiumfolie, vetvrij papier of keukenpapier.
- Afdekmaterialen hinderen de circulatie van koude lucht waardoor het toestel minder efficiënt wordt.
- Organiseer de voedingswaren en kleef er etiketten op om het aantal keren dat de deuren worden geopend te verminderen en om te vermijden dat lang moet worden gezocht. Verwijder in één keer zo veel artikelen als nodig en sluit de deur zo snel mogelijk

FunctiesTemperatuurcontrole

- Draai de knop van de temperatuurcontrole op MAX, de binnentemperatuur van de koelkast gaat lager.
- Draai de knop van de temperatuurcontrole op MIN, de binnentemperatuur van de koelkast gaat hoger.
- Gelieve de temperatuur aan te passen tussen "MAX" en "MIN".

Thermostaatinstelling voor ambient T ° C : NORMAAL ≈ +24°C (± 4°C)	 MED
Thermostaatinstelling voor ambient T ° C : KOUD ≈ +24°C (± 4°C)	 MED MAX
Thermostaatinstelling voor ambient T ° C : HEET ≈ +24°C (± 4°C)	 MED MAX

Reiniging en onderhoud

Globale reiniging

- Stof achter de koelkast en op de grond moet tijdig worden verwijderd om het koeleffect te verbeteren en energie te besparen.
- Controleer regelmatig de pakking van de deur om er zeker van te zijn dat er geen vuil aanwezig is. Reinig de pakking van de deur met een zachte doek die vochtig is gemaakt met zeepwater of met verdund reinigingsmiddel.
- De binnenkant van de koelkast moet regelmatig worden gereinigd om geurtjes te vermijden.
- Schakel het toestel uit en verwijder alle voedingswaren, dranken, legplanken, lades, enz. alvorens de binnenkant te reinigen. Gebruik een zachte doek of spons met twee eetlepels zuiveringszout en een kwart warm water om de binnenkant van de koelkast te reinigen. Spoel vervolgens met water en wrijf proper. Na het reinigen, open de deur en laat op natuurlijke wijze drogen alvorens het toestel opnieuw in te schakelen.
- Voor gebieden in de koelkast die moeilijk te reinigen zijn (zoals smalle gleuven, kloven of hoeken) is het aanbevolen om ze regelmatig af te wrijven met een zachte vod, een zachte borstel enz. en indien nodig gecombineerd met enkele hulpinstrumenten (zoals dunne stokjes) om ervoor te zorgen dat zich geen vuil of bacteriën in deze gebieden ophopen.
- Gebruik geen zeep, detergent, schuurpoeder, spray enz. omdat deze geurtjes binnen in de koelkast kunnen veroorzaken of ervoor kunnen zorgen dat voeding bederft.
- Reinig het flessenrek, de legplanken en de lades met een zachte doek bevochtigd met zeepwater of verdund reinigingsmiddel. Droog af met een zachte doek of laat op natuurlijke wijze drogen.
- Wrijf het buitenoppervlak van de koelkast af met een zachte doek bevochtigd met zeepwater, reinigingsmiddel, enz. en wrijf vervolgens droog.
- Gebruik geen harde borstels, stalen schoonmaakballen, draadborstels, schuurmiddelen (zoals tandpasta), organische oplosmiddelen (zoals alcohol, aceton, bananenolie, enz.), kokend water, zuur of alkaline die het oppervlak van de koelkast en de binnenkant kunnen beschadigen. Kokend water of organische oplosmiddelen, zoals benzeen, kunnen kunststof onderdelen vervormen of beschadigen. Spoel niet rechtstreeks af met water of andere vloeistoffen tijdens het reinigen om kortsluitingen te vermijden of te voorkomen dat de elektrische isolatie na onderdompeling wordt beïnvloed.

WAARSCHUWING

Voor het ontdooien of reinigen, zorg ervoor dat de stekker van de koelkast uit het stopcontact is getrokken.

Ontdooien

- Schakel de koelkast uit.
- Verwijder de voeding uit de koelkast en plaats ze naar behoren om te vermijden dat de voeding smelt.
- Reinig de afvoerbuï (gebruik zachte materialen om te vermijden dat de liner beschadigd raakt) en zet watercontainers klaar om te ontdooien (zorg ervoor dat de waterafvoerschaal van het compressorcompartiment wordt gereinigd om te vermijden dat het water op de grond stroomt).
- U kunt de natuurlijke temperatuur gebruiken om op natuurlijke wijze te ontdooien. U kunt de ijschraper gebruiken om de rijp te verwijderen (gebruik een kunststof of houten ijschraper om te vermijden dat de liner of de pijpleiding beschadigd raken). U kunt ook de juiste hoeveelheid heet water gebruiken om het ontdooiproces te versnellen. Gebruik een droge handdoek om het water af te drogen na het ontdooien.
- Plaats na het ontdooien de voeding terug in de koelkast en zet de koelkast aan.

Het toestel werkt niet

- Stroompanne: In geval van stroompanne, zelfs in de zomer, kan voeding in het toestel nog verschillende uren lang worden bewaard; tijdens de stroompanne moet het aantal keren dat de deur wordt geopend, worden verminderd en mag geen verse voeding in het toestel worden geplaatst.
- Het toestel wordt lange tijd niet gebruikt: De stekker van het toestel moet uit het stopcontact worden gehaald en vervolgens moet het toestel worden gereinigd; Laat de deuren open staan om geurtjes te voorkomen.
- Het toestel verplaatsen: Alvorens de koelkast te verplaatsen, verwijder alle voorwerpen die erin zitten, bevestig de glazen tussenschotten, de groentelade, de lades in de diepvriesruimte enz. met kleefband en draai de verstelvoetjes vast; sluit de deuren en verzegel ze met kleefband. Tijdens het verplaatsen mag het toestel niet onderste boven of horizontaal worden gelegd of mag het niet trillen; de hellingshoek tijdens het verplaatsen mag niet meer bedragen dan 45°.
- Het toestel moet blijven werken eenmaal het is ingeschakeld. Over het algemeen zal de werking van het toestel niet worden onderbroken; zo niet kan de levensduur in het gedrang komen.

Probleemoplossing

U kunt proberen om de volgende eenvoudige problemen zelf op te lossen. Indien ze niet kunnen worden opgelost, gelieve dan contact op te nemen met de dienst na verkoop.

Slechte werking	<ul style="list-style-type: none"> • Controleer of het toestel ingeschakeld is en of de stekker goed in het stopcontact zit • Controleer of het voltage niet te laag is • Controleer of er geen kortsluiting is en of er circuits geactiveerd zijn geweest
Geurtjes	<ul style="list-style-type: none"> • Sterk geurende voeding moet goed worden ingepakt • Controleer of er geen rottende voeding aanwezig is • Reinig de binnenkant van de koelkast
De compressor werkt lang	<ul style="list-style-type: none"> • In de zomer is het normaal dat de koelkast lang werkt wanneer de omgevingstemperatuur hoog is • Het wordt niet aanbevolen om te veel voeding tezelfdertijd in de koelkast te bewaren • Voeding moet afgekoeld worden alvorens ze in het toestel wordt geplaatst • De deuren worden te vaak geopend
Het lampje brandt niet	<ul style="list-style-type: none"> • Controleer of de stekker van de koelkast in het stopcontact zit en of het lampje niet beschadigd is • Laat het lampje vervangen door een specialist
De deuren kunnen niet naar behoren worden gesloten	<ul style="list-style-type: none"> • Er zitten voedselpakketten tussen de deur • Er is te veel voeding in de koelkast geplaatst • De koelkast kantelt
Luid lawaai	<ul style="list-style-type: none"> • Controleer of de vloer vlak is en of de koelkast stabiel staat • Controleer of de accessoires op de juiste plaats zijn geïnstalleerd
De deur dicht niet volledig af	<ul style="list-style-type: none"> • Verwijder vreemde voorwerpen van de deurdichting • Verwarm de deurdichting en laat ze vervolgens afkoelen om zich te herstellen (of blaas erop met een haardroger of gebruik een warme handdoek om ze te verwarmen)
De waterpan stroomt over	<ul style="list-style-type: none"> • Er zit te veel voeding in de koelruimte of de opgeslagen voeding bevat te veel water waardoor het toestel sterk moet ontdooien • De deuren zijn niet goed gesloten, waardoor rijp ontstaat als gevolg van de instroom van lucht en meer water als gevolg van het ontdooien

De behuizing is warm

Via de behuizing ontsnapt er warmte die opgebouwd wordt in de condensator, wat normaal is. Wanneer de behuizing heet wordt als gevolg van een hoge omgevingstemperatuur, opslaan van te veel voeding of het uitschakelen van de compressor, zorg dan voor voldoende ventilatie om de hitte sneller te laten verdwijnen.

Condensvorming op het oppervlak

Condensvorming op het buitenoppervlak en deurdichtingen van de koelkast is normaal wanneer de omgevingstemperatuur te hoog is. Veeg de condens af

Abnormaal lawaai

- Gezoem: De compressor kan tijdens de werking zoemen en het gezoem is luid vooral bij het starten en het stoppen. Dit is normaal.
- Gekraak: De koelvloeistof die in het toestel stroomt, kan gekraak produceren, wat normaal is.

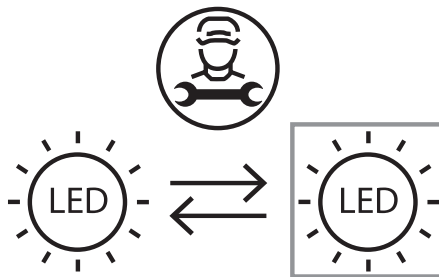
De lamp vervangen

Dit product bevat een lichtbron die is vrijgesteld van energieefficiëntieklasse.

De lichtbron in dit product kan alleen worden vervangen door gekwalificeerde professionals.

Neem contact op met de klantenservice als de lichtbron uitvalt.

De lichtbron moet aan het einde van de gebruiksduur van het product worden verwijderd, waarbij de sortering en recycling afzonderlijk worden uitgevoerd.



¡Gracias!

Gracias por elegir este producto VALBERG. Seleccionados, probados y recomendados por ELECTRO DEPOT, los productos de la marca VALBERG son fáciles de usar, fiables y de un acabado impecable. Gracias a este aparato, puede estar seguro de que cada uso le proporcionará satisfacción.

Bienvenido a ELECTRO DEPOT.

Visite nuestra página web: www.electrodepot.es



ELECTRO DEPOT

A

**Descripción del
aparato**

Descripción del aparato

B

**Utilización del
aparato**

Uso correcto de los frigoríficos
Estructura y funciones

C

Información práctica

Limpieza y mantenimiento
Resolución de problemas

Descripción del aparato

- 1 Luz de LED
- 2 Control de temperatura
- 3 Bandeja
- 4 Cajón de verduras
- 5 Cajón
- 6 Bandeja de la puerta
- 7 Bandeja de la puerta

La imagen anterior es solo para referencia. La configuración real dependerá del producto físico o de la declaración del distribuidor.

Compartimento del frigorífico

- La cámara de refrigeración es apta para almacenar diversos tipos de fruta, verdura, bebidas y otros alimentos que se vayan a consumir a corto plazo; el tiempo de conservación recomendado es de 3 a 5 días.
- Los alimentos cocinados no se deben introducir en la cámara de refrigeración hasta que se hayan enfriado hasta alcanzar la temperatura ambiente.
- Se recomienda que los alimentos se envasen antes de introducirlos en el frigorífico.
- Las bandejas de cristal se pueden subir o bajar para conseguir suficiente espacio de almacenamiento y facilitar su uso.

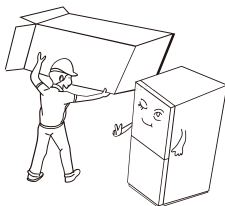
Compartimento del congelador

- El compartimento del congelador de baja temperatura puede mantener los alimentos frescos durante mucho tiempo y se utiliza principalmente para conservar alimentos congelados y elaborar hielo.
- El compartimento del congelador es adecuado para conservar carne, pescado, bolas de arroz y otros alimentos que no se vayan a consumir a corto plazo.
- Es preferible cortar la carne en trozos pequeños para que se congele rápidamente y facilitar el acceso.

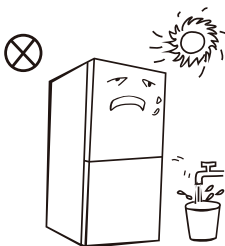
- Tenga en cuenta que los alimentos se deben consumir antes de que caduquen.
- La cantidad máxima de alimentos que se puede congelar en 24 horas se especifica en la placa de características técnicas del aparato.
- La posición de los cajones, las cajas de alimentos, las bandejas, etc., que se presenta en la imagen es la más eficiente energéticamente.

Uso correcto de los frigoríficos

Colocación

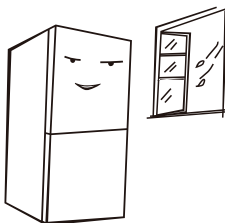


Antes de usar el aparato, retire todo el material de embalaje, incluidos los amortiguadores de la parte inferior, las almohadillas de espuma y las cintas del interior del frigorífico; retire la película de protección de las puertas y del cuerpo del frigorífico.

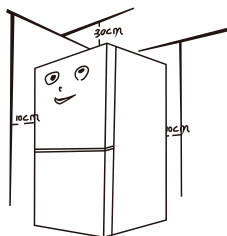


Mantenga el aparato alejado del calor y evite la luz directa del sol. No coloque el congelador en un lugar húmedo o con agua, para prevenir la formación de óxido o que se reduzca el efecto aislante.

No rocíe con agua ni lave el frigorífico; no coloque el frigorífico en lugares húmedos en los que pueda haber salpicaduras de agua, con el fin de que no se vean afectadas las propiedades de aislamiento eléctrico del frigorífico.



El frigorífico debe colocarse en un lugar interior con buena ventilación; el suelo debe ser plano y resistente (gire a la izquierda o a la derecha para ajustar las ruedas y nivelarlo si no quedara estable).



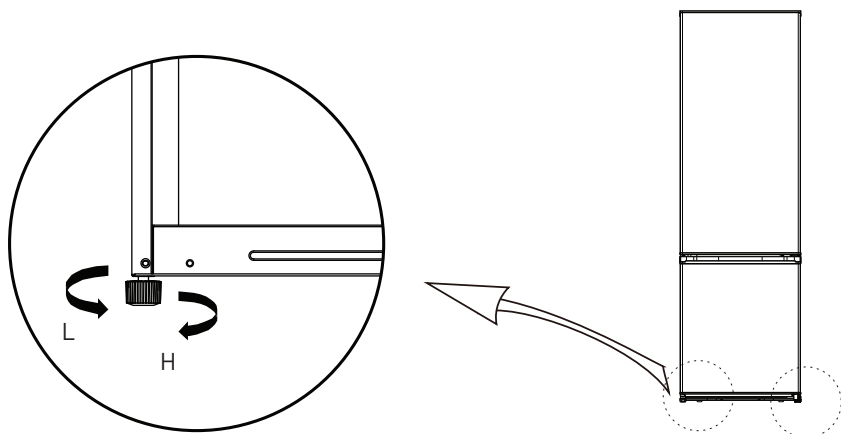
El espacio superior del frigorífico debe ser superior a 30 cm y el frigorífico debe quedar colocado contra una pared, con una separación de más de 10 cm, para facilitar la disipación del calor.

PRECAUCIONES

Antes de instalar o ajustar los accesorios, debe asegurarse de que el frigorífico esté desconectado de la corriente. Debe tomar precauciones para evitar que la caída del tirador provoque lesiones personales.

Patas niveladoras

Diagrama esquemático de las patas de nivelación

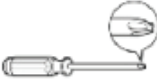
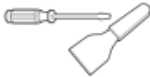




La imagen anterior es solo para referencia. La configuración real dependerá del producto físico o de la declaración del distribuidor.

Procedimientos de ajuste:

- Gire las patas en sentido horario para levantar el frigorífico.
- Gire las patas en sentido antihorario para bajar el frigorífico.
- Ajuste las patas derecha e izquierda siguiendo los procedimientos mencionados, hasta que el aparato quede nivelado horizontalmente.

Cambio del sentido de apertura de la puerta derecha-izquierda

Lista de herramientas necesarias			
	Destornillador de estrella		Espátula fina y destornillador
	Llave de tubo con trinquete de 5/16"		Cinta adhesiva

Piezas que deben utilizarse para invertir la puerta

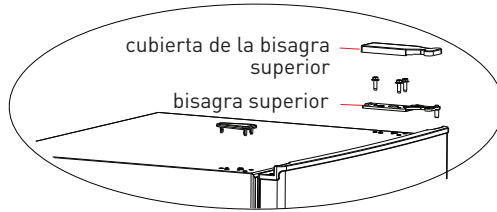
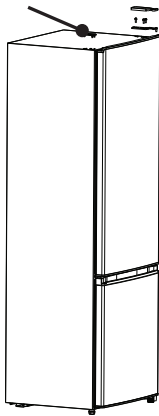
SN	Piezas	Cantidad	Notas
1	Bisagra superior derecha	1	Preinstalada en el frigorífico, también utilizada al invertir la puerta
2	Tornillo de bisagra superior	3	Preinstalado en el frigorífico y que debe utilizarse para cambiar la puerta
3	Tornillo de bisagra central	2	Preinstalado en el frigorífico y que debe utilizarse para cambiar la puerta
4	Bisagra central	1	Preinstalado en el frigorífico y que debe utilizarse para cambiar la puerta
5	Agujero para enchufe	2	Preinstalado en el frigorífico y que debe utilizarse para cambiar la puerta
6	Pata ajustable	1	Preinstalado en el frigorífico y que debe utilizarse para cambiar la puerta
7	Tornillo de bisagra inferior	3	Preinstalado en el frigorífico y que debe utilizarse para cambiar la puerta
8	Ensamblaje de bisagra inferior	1	Preinstalado en el frigorífico y que debe utilizarse para cambiar la puerta

Piezas que deben utilizarse para invertir la puerta

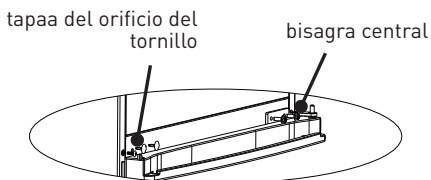
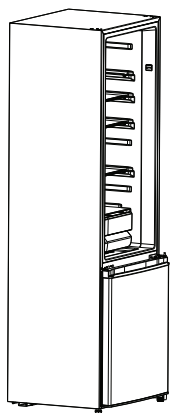
9	Tornillo de tapa inferior de la puerta del congelador	1	Preinstalado en el frigorífico y que debe utilizarse para cambiar la puerta
10	Tapa inferior que limita el bloqueo de la puerta del congelador	1	Preinstalada en el frigorífico y que debe utilizarse para cambiar la puerta
11	Tornillo de tapa inferior de la puerta del frigorífico	1	Preinstalado en el frigorífico y que debe utilizarse para cambiar la puerta
12	Tope derecho de la puerta del frigorífico	1	Preinstalado en el frigorífico y que debe utilizarse para cambiar la puerta
13	Tope izquierdo de la puerta del frigorífico	1	En la bolsa de plástico incluida, sáquelos para utilizarlos al invertir la puerta

- Retire todos los alimentos del recubrimiento de la puerta interior.
- Desmonte la cubierta de la bisagra superior, la bisagra superior y la tapa del orificio del otro lado.

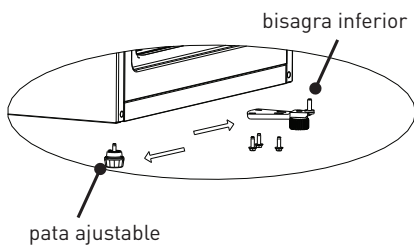
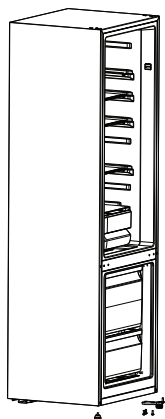
tapa del orificio



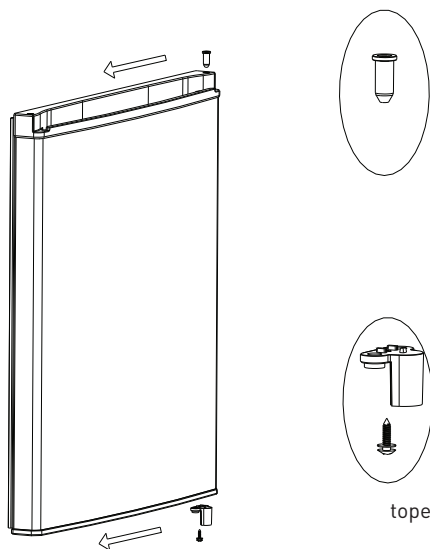
- Retire la puerta del frigorífico, la bisagra central y las tapas de los orificios del tornillo del otro lado.



- Retire la puerta del congelador y desmonte la bisagra inferior y la pata ajustable izquierda. Intercambie la posición de instalación de la bisagra inferior y la pata ajustable y fije la bisagra inferior apretando los tornillos.

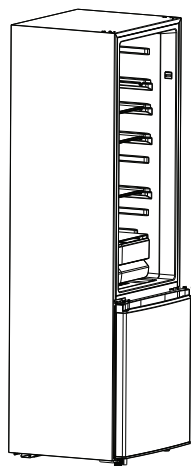


- Desmonte el tope de puerta de la puerta del congelador e instálelo en el otro lado apretando el tornillo.

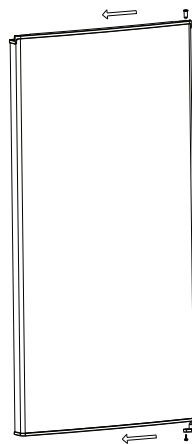
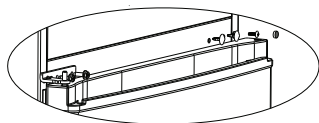


tope

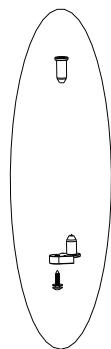
- Ponga la puerta del congelador sobre la bisagra inferior, después instale la bisagra central y las tapas del orificio del tornillo (a). Desmonte el tope de puerta de la puerta del frigorífico e instálelo en el otro lado apretando el tornillo (b).



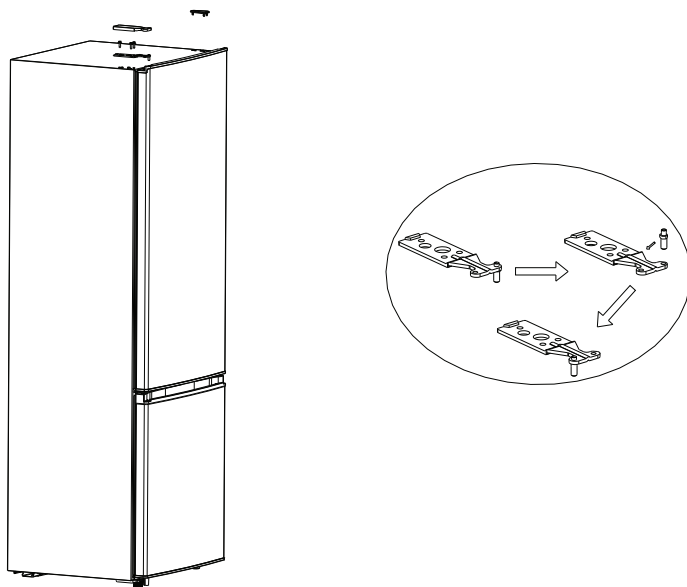
(a)



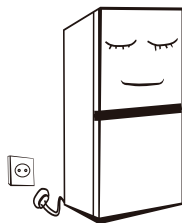
(b)



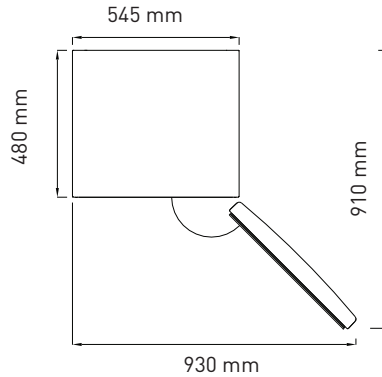
- Cambie la posición de instalación del hueco de la bisagra superior, como se indica a continuación, después ponga la puerta del frigorífico sobre la bisagra central y fije la bisagra superior apretando los tornillos, finalmente, instale la tapa de la bisagra superior y la tapa del orificio.



Puesta en marcha



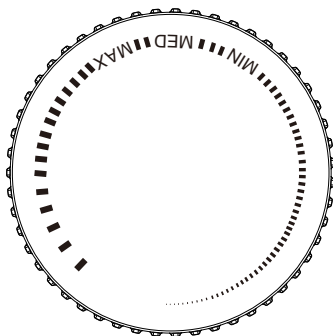
- Antes del primer uso, no mueva el frigorífico durante media hora, antes de conectarlo a la alimentación eléctrica.
- Antes de introducir alimentos frescos o congelados, el frigorífico debe funcionar durante 2-3 horas, o durante más de 4 horas en verano, cuando la temperatura ambiente es alta.






- Deje suficiente espacio para poder abrir cómodamente las puertas y los cajones, o según lo indique el distribuidor.

Sugerencias para ahorrar energía

- El aparato se debe colocar en la zona más fresca de la habitación, lejos de otros aparatos que generen calor y de conductos de calefacción, y alejado de la luz directa del sol.
- Los alimentos calientes se deben enfriar hasta alcanzar la temperatura ambiente antes de introducirlos en el aparato. Si sobrecarga el aparato, el compresor tendrá que funcionar durante más tiempo. Los alimentos que se congelan demasiado lentamente podrían perder calidad o estropearse.
- Asegúrese de envolver los alimentos correctamente y seque bien los recipientes antes de introducirlos en el aparato. Así reducirá la acumulación de escarcha en el interior del aparato.
- El cajón de almacenamiento del aparato no se debe cubrir con papel de aluminio, papel encerado ni servilletas de papel.
- Los recubrimientos interfieren en la circulación del aire, lo que reduce la eficiencia del aparato.
- Organice y etiquete los alimentos para reducir las aperturas de la puerta y tener que pasar demasiado tiempo buscándolos. Retire todos los artículos que necesite de una vez y cierre la puerta lo antes posible.

FuncionesControl de temperatura

- Gire la rueda de control de temperatura hasta MAX, la temperatura interna del frigorífico bajará.
- Gire la rueda de control de temperatura hasta MIN, la temperatura interna del frigorífico subirá.
- Ajuste la temperatura entre «MAX» y «MIN».

Ajuste del termostato para T°C ambiente : NORMAL ≈ +24°C (± 4°C)	 MED
Ajuste del termostato para T°C ambiente : FRIO ≈ +24°C (± 4°C)	 MED MAX
Ajuste del termostato para T°C ambiente : CALIENTE ≈ +24°C (± 4°C)	 MED MAX

Limpeza y mantenimiento

Limpeza general

- El polvo que se acumula detrás del frigorífico y en el suelo se debe limpiar periódicamente para mejorar el efecto de refrigeración y el ahorro energético.
- Compruebe la junta de la puerta periódicamente para asegurarse de que no haya restos. Limpie la junta de la puerta con un paño suave humedecido con agua y jabón o con un detergente diluido.
- El interior del frigorífico se debe limpiar periódicamente para evitar olores.
- Desconecte la corriente eléctrica antes de limpiar el interior y retire todos los alimentos, bebidas, bandejas, cajones, etc. Utilice un paño suave o una esponja para limpiar el interior del frigorífico con dos cucharadas de bicarbonato sódico y un litro de agua caliente. A continuación, enjuague con agua y frote para dejar limpio el aparato. Después de limpiar, abra la puerta y deje que se seque naturalmente antes de volver a conectar la corriente eléctrica.
- En las zonas del frigorífico que resulte difícil limpiar (por ejemplo, rendijas estrechas, huecos o esquinas), se recomienda frotarlas periódicamente con un paño suave, un cepillo suave, etc., y si es necesario, usar otras herramientas auxiliares (por ejemplo, unos palillos) para asegurarse de que no se acumulen sustancias contaminantes o bacterias en esas zonas.
- No utilice jabón, detergentes, detergente en polvo, productos de limpieza con pulverizador, etc., ya que podrían generar olores en el interior del frigorífico o contaminar los alimentos.
- Limpie la estructura para botellas, las bandejas y los cajones con un paño suave humedecido con agua con jabón o detergente diluido. Seque con un paño suave o deje que se sequen naturalmente.
- Frote la superficie exterior del frigorífico con un paño suave humedecido con agua con jabón, detergente, etc., y luego frote con un paño para secar.
- No utilice cepillos rígidos, estropajos de acero, cepillos metálicos, productos abrasivos (por ejemplo, pasta de dientes), disolventes orgánicos (por ejemplo, alcohol, acetona, aceite de plátano, etc.), agua hirviendo o sustancias ácidas o alcalinas, que puedan dañar la superficie del frigorífico y su interior. El agua hirviendo y los disolventes orgánicos, como el benceno, pueden deformar o dañar las piezas de plástico. No enjuague directamente con agua u otros líquidos cuando limpie, para evitar cortocircuitos o que se vea afectado el aislamiento eléctrico después de sumergirlo.

ADVERTENCIA

Desenchufe el frigorífico para descongelar y limpiar.

Descongelación

- Apague el frigorífico.
- Retire los alimentos del frigorífico y colóquelos adecuadamente para prevenir la descongelación de los alimentos.
- Limpie el tubo de evacuación (utilizar materiales suaves para prevenir dañar el recubrimiento), Prepare los recipientes de agua para descongelar (prestar atención a limpiar la bandeja de drenaje de agua del compartimento del compresor, evitando que se derrame al suelo).
- Puede utilizar la temperatura natural para la descongelación natural, también puede utilizar una pala para el hielo para eliminar la escarcha (utilizar palas de hielo de plástico o madera para evitar dañar el recubrimiento o tubería). También puede utilizar la cantidad adecuada de agua caliente para acelerar la descongelación, con una toalla seca para secar el agua después de la descongelación.
- Después de la descongelación, vuelva a introducir los alimentos en el frigorífico y enciéndalo.

Funcionamiento incorrecto

- Corte eléctrico: En caso de corte eléctrico, aunque sea verano, los alimentos que se encuentran dentro del aparato se pueden conservar durante varias horas. Durante el corte eléctrico se deben reducir las aperturas de la puerta y no se deben introducir más alimentos en el aparato.
- Si el aparato no se va a usar durante mucho tiempo: El aparato se debe desenchufar y luego limpiar; las puertas se deben dejar abiertas para evitar olores.
- Desplazamiento: Antes de mover el frigorífico, saque todos los objetos del interior, sujete con cinta adhesiva las bandejas de cristal, el cajón para las verduras, los cajones del congelador, etc., y apriete las patas de nivelación. cierre las puertas y sujételas con cinta adhesiva. Al desplazar el aparato, no debe tumbarlo ni ponerlo al revés, ni debe provocar vibraciones. La inclinación durante el desplazamiento no debe superar los 45°.
- El aparato debe funcionar de forma continua una vez se ponga en marcha. Generalmente, el funcionamiento del aparato no deberá interrumpirse; de lo contrario, su vida útil podría reducirse.

Resolución de problemas

Puede intentar solucionar usted mismo los problemas sencillos siguientes. Si no puede solucionarlos, contacte con el departamento posventa.

Fallo de funcionamiento

- Compruebe si el aparato está conectado a la corriente eléctrica o si el enchufe está bien introducido en la toma
- Compruebe si el voltaje es demasiado bajo
- Compruebe si se ha producido un corte eléctrico o si se han disparado circuitos parciales

Olores

- Los alimentos que huelen mucho se deben envolver bien
- Compruebe si hay otros alimentos que se hayan estropeado
- Limpie el interior del frigorífico

Funcionamiento prolongado del compresor

- El funcionamiento prolongado del compresor es normal en verano, cuando la temperatura ambiente es alta
- Le recomendamos que no guarde demasiados alimentos en el aparato al mismo tiempo
- Los alimentos deben enfriarse antes de introducirlos en el aparato
- Las puertas se abren con demasiada frecuencia

La luz no se enciende

- Compruebe si el frigorífico está conectado a la corriente eléctrica y si la luz está dañada
- Contacte con un especialista para que cambie la bombilla

Las puertas no se pueden cerrar bien

- La puerta no se cierra debido a los envases de alimentos
- Se ha introducido demasiada comida
- El frigorífico está inclinado

Ruido fuerte

- Compruebe si el suelo está nivelado y si el frigorífico está estable
- Compruebe si los accesorios se encuentran en el lugar correcto

La junta de la puerta no queda hermética

- Retire los materiales extraños de la junta de la puerta
- Caliente la junta de la puerta y luego deje que se enfríe para restaurarla (también puede secarla con un secador eléctrico o calentarla con un paño caliente)

La bandeja de agua se desborda

- Hay demasiados alimentos en el aparato o los alimentos guardados contienen demasiada agua, lo que provoca descongelación
- Las puertas no están bien cerradas, lo que genera escarcha debido a la entrada de aire y un aumento de agua debido a la descongelación

Carcasa caliente

El calor del condensador integrado se disipa a través de la carcasa; esto es normal. Cuando la carcasa se calienta porque la temperatura ambiente es alta, ha introducido demasiada comida o se apaga el compresor, proporcione una buena ventilación para facilitar la disipación del calor.

Condensación en la superficie

La condensación en la superficie exterior y en las juntas de la puerta del frigorífico es normal cuando hay mucha humedad ambiente. Limpie el condensado

Ruido anormal

- Zumbido: El compresor podría emitir un zumbido cuando está funcionando. Ese zumbido puede ser muy fuerte al poner en marcha o detener el aparato. Esto es normal.
- Crujidos: El refrigerante que fluye por el interior del aparato podría generar crujidos. Esto es normal.

Cambiar la luz

Este producto contiene una fuente luminosa exenta de la clase de eficiencia energética. La fuente de luz de este producto solo puede ser reemplazada por profesionales calificados.

Si la fuente de luz falla, comuníquese con el servicio al cliente.

La fuente de luz debe retirarse al final de la vida útil del producto, y la clasificación y el reciclaje se deben realizar por separado.

