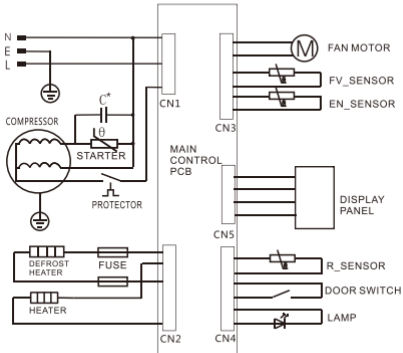


ELECTRIC DIAGRAM



C*: The capacitor is optional according to different compressor model