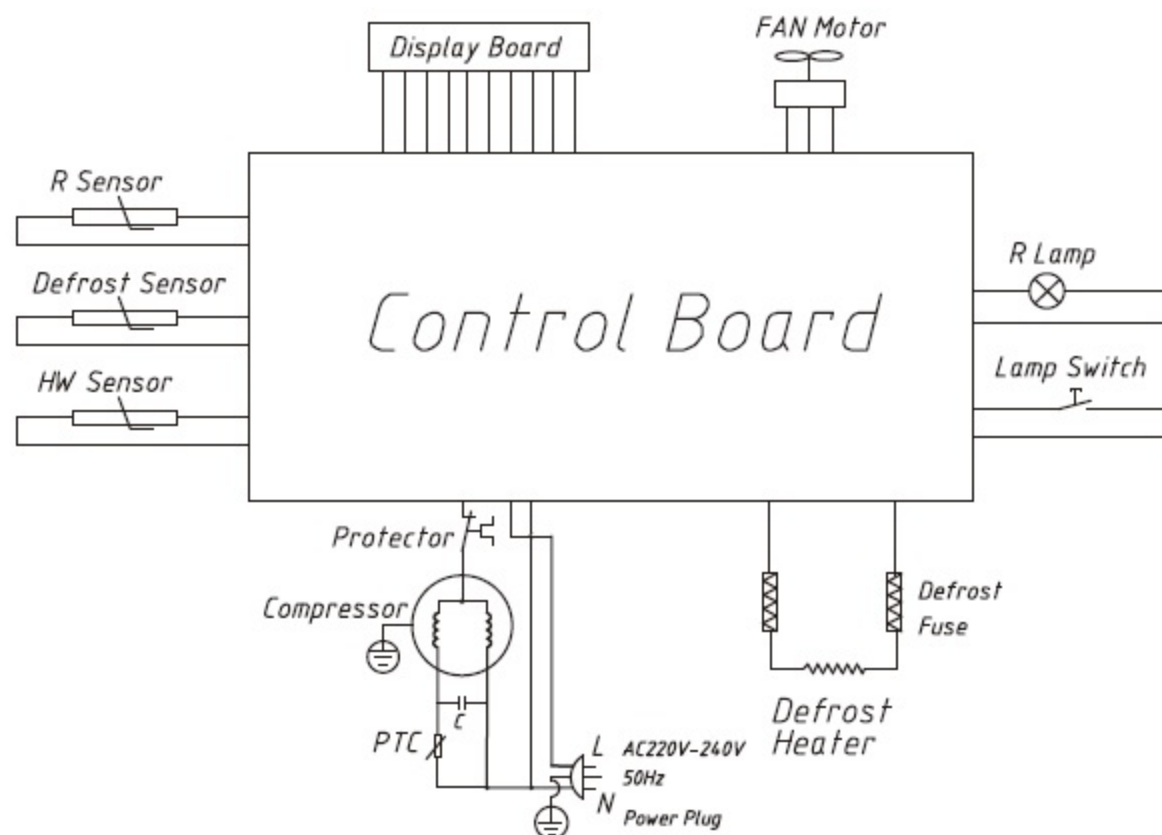


Frost free Refrigerator-freezer



ELECTRO DEPOT
1, route de Vendeville
59155 FACHES THUMESNIL
FRANCE
Made in P.R.C

S/N: YY-WW-977399-XXXX

VALBERG

977399 - CNF 270 E W625C (V1)

Lamp power	2W
Climate class	N,ST
Protection against electric shock class	I
Voltage	AC220-240V
Frequency	50Hz
Defrost power	160W
Current	0.6A
Total volume	270L
Fresh food compartment storage volume	199.0L
Four star compartment storage volume	* ** *
Energy class	E
Annual energy consumption	219 kWh/a
Freezing capacity	3.5kg/24h
Temperature rise time	7h
Refrigerant/ Amount	R600a(38g)
Foaming agent	CYCLOPENTANE
Noise	41dB(A)