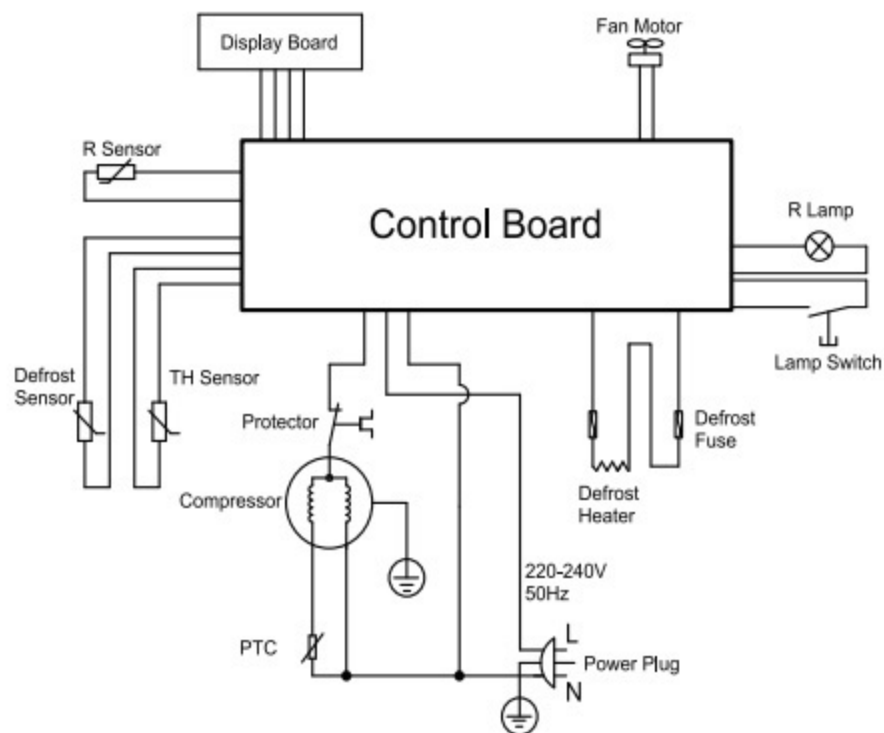


Frost free Refrigerator-freezer Type II



S/N: YY-WW-975261-XXXX
Made in P.R.



ELECTRO DEPOT
1, route de Vendeville
59155 FACHES THUMESNIL FRANCE

VALBERG

975261 - CNF 268 F WD B625C2

Lamp power	2W
Climate class	N,ST
Protection against electric shock class	I
Voltage	AC220-240V
Frequency	50Hz
Defrost power	160W
Current	0.8A
Total volume	268L
Fresh food compartment storage volume	197.0L
Four star compartment storage volume	71.0L
Energy class	F
Annual energy consumption	274 kWh/a
Freezing capacity	3.5kg/24h
Temperature rise time	7h
Refrigerant/ Amount	R600a(34g)
Foaming agent	CYCLOPENTANE
Noise	41dB(A)